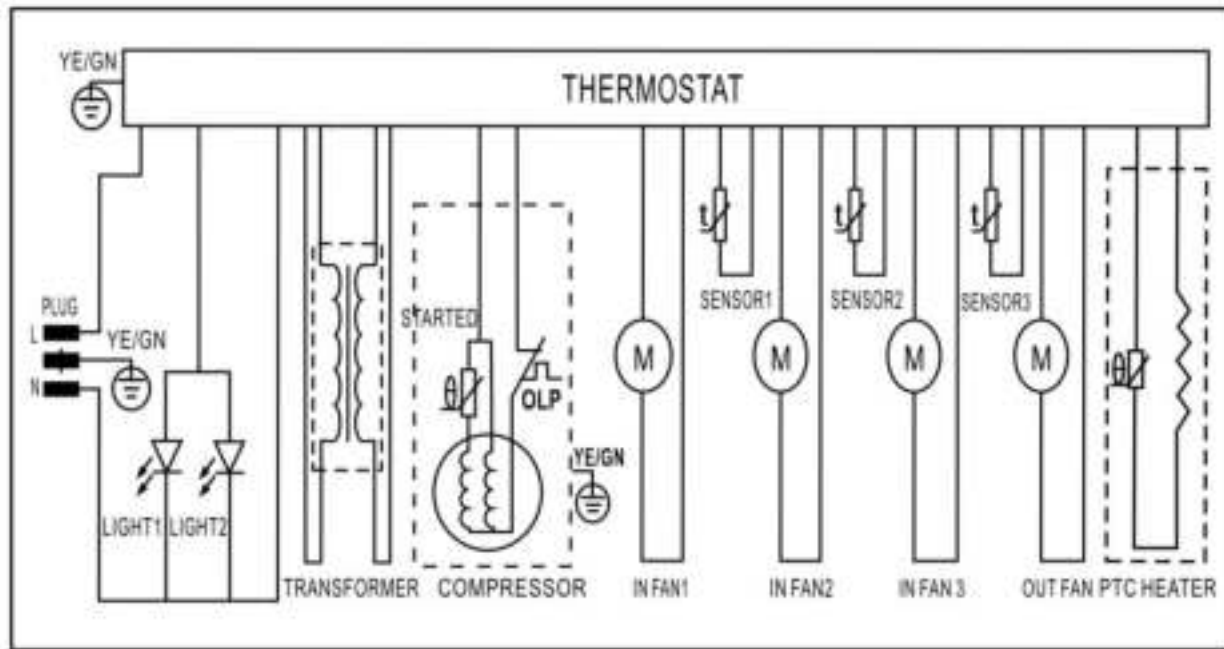


110mm

VESTFROST
SOLUTIONS

Wine cellar WFG45

MODEL:0-S703002H6030803



SPECIFICATIONS	
SERIAL NO.:	
CLIMATE CATEGORY	N
REFRIGERANT	R600a
AMOUNT	35g
INSULATION BLOWING GAS	C-Pentane
RATED VOLTAGE	220-240V
RATED FREQUENCY	50Hz
RATED CURRENT	0.6A
NET WEIGHT	48Kg
NET VOLUME	134L
BOTTLE CAPACITY	44

FALKEVEJ 12 DK-6705 ESBJERG , DENMARK

BUILT-IN OR FREE STANDING INSTALLING

75mm