

AREBOS

Foldable Steel ramp

AR-HE-FS180



Please follow all security measures in this user's manual to ensure a secure use.



Thank you for trusting in AREBOS.

Please read and save these instructions. Read this user's manual carefully before using product. Protect yourself and others by observing all safety information, warnings and cautions. Failure to comply with instructions could result in personal injury and/or damage to product or property. Please retain instructions for future reference.

Security instructions

Explanation of the symbols



By means of a CE marking, it can be recognized that a product complies with the legal provisions of European legal norms and therefore may be traded within the European Community.



Warning! Read the safety instructions carefully. The Failure to follow the safety precautions could result in serious injury or damage. Keep the operating instructions in a safe place.



Warning! Wear safety shoes!



Warning! Wear protective gloves!



Warning! Danger of crushing hands!



Be careful when using the ramp!

General safety instructions

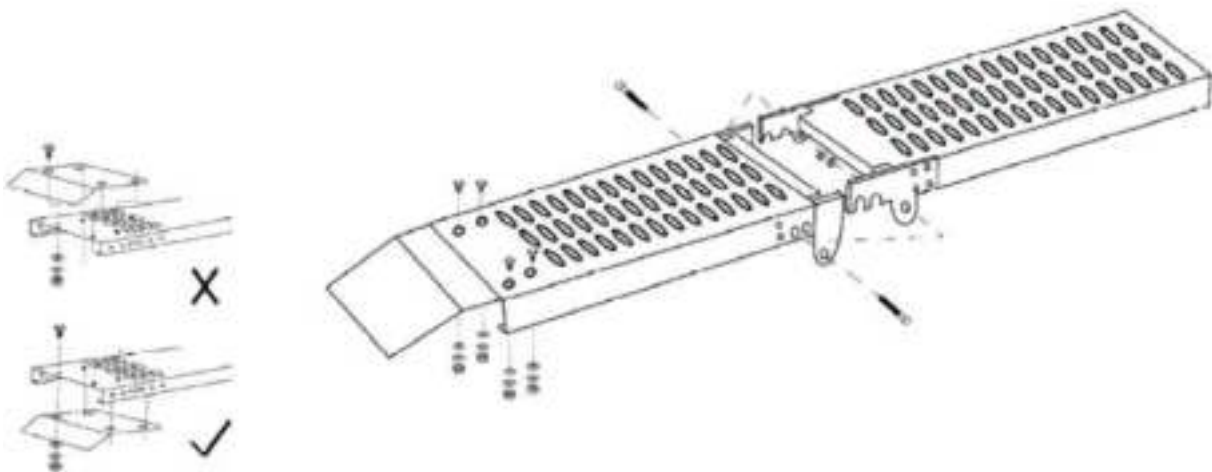
- The instructions are subject to changes.
- Check the ramp before using on damages, cracks, deflection or metal fatigue
- Should you find any damages, do not use the ramp! Contact the manufacturer or leave the ramp for repair with a specialist
- Always pay attention during usage!
- Wear protection cloths such as gloves, security shoes, and glasses
- Do not use force

- Keep children or other bystanders away from the working area
- Do not exceed the maximum loading capacity (chapter 3)
- The maximum loading capacity goes for all-over loadings in case of maximum work angle
- Do not jump on the ramp
- Do not drive on the ramp. Tare or push the loading on the ramp.
- Keep your body or body parts away from dangerous areas. Do not step under or behind the loading
- Do not work under influence of drugs, medicals or alcohol or if you are tired.
- Always care for a stable and secure ramp
- All maintenance work has to be done by a specialist
- Always use the ramp on a flat and hard surface
- Secure, that the flange end is on the ground. The other end has to touch the loading
- Take care of a clean ramp, no oil or dirt
- Do not load a vehicle with running engine. Let vehicles cool down before loading
- Keep packing material on places unreachable for children! Danger of suffocation!

Intended use

- The ramp is suitable for quads, motorcycles, mowers, ...
- The ramp is not suitable for cars
- Maximum Capacity 992 lbs (450 kg) per pair

Assembly



Technical specifications

Capacity	992 lbs (450 kg) per pair
Open size	70.87 x 8.86 x 1.77 in (180 x 22.5 x 4.5 cm)
Fold size	36.02 x 8.86 x 3.54 in (91.5 x 22.5 x 9 cm)
Weight	36.4 lbs (16.5 kg)

Cleaning and maintenance

- Make sure the ramp is clean and free of dirt, grease and oil
- Check the ramp regularly on damages
- Always secure all screws

Disposal instruction

Disposal of the packaging

- Please make reference to the guidelines and standards for appropriate disposal of the packaging valid in your region. In part, the package may consist of plastic bags - watch this respect, with special care to ensure that this is not out of the reach of children. There is a risk of suffocation!

Disposal of waste equipment

- Equipment must be disposed of in accordance with the rules and regulations of the local waste disposal.
- Am Ende der langen Lebensdauer Ihres Artikels führen Sie bitte die wertvollen Rohstoffe einer fachgerechten Entsorgung zu, so dass ein ordnungsgemäßes Recycling stattfinden kann. Sollten Sie sich nicht sicher sein, wie Sie am besten vorgehen, helfen die örtlichen Entsorgungsbetriebe oder Wertstoffhöfe gerne weiter.

Our customer service number: +49 (0) 931-45232700

EU Declaration of Conformity

We,

Canbolat Vertriebs GmbH, Gneisenaustraße 10-11, 97074 Würzburg, Germany,

Hereby declare that the product named below, seen its design and construction as well as according to our sales, has been complied with the relevant and basic health and safety EU-requirements.

Name of the product: AREBOS Foldable Steel Ramp

Model Nr.: AR-HE-FS180

Art. Nr.: 4260199757710

If the product has any modification not allowed by us, this declaration loses its validity.

2006/42/EC Machinery

EN ISO 12100:2010

Date/Manufacturer Signature/Location:

Würzburg, 13.03.2019



Identification of the signatory:

Korhan Canbolat, head of the company

Authorised representative for the technical documentation:

Korhan Canbolat

Office address:

Canbolat Vertriebs GmbH

Gneisenaustraße 10-11

97074 Würzburg

Return address can be found in the imprint: <https://www.arebos.de/impressum/>

VAT identification number: DE 263752326

Court of the Commercial Register is Würzburg, HRB 10082

WEEE Reg.-No. DE 61617071