

AREBOS

Industry Vacuum Cleaner 2300W

AR-HE-SS2300B/R/Y

Please follow all security measures to ensure a secure use.



Thank you for trusting in AREBOS.



List of content

1. Safety instructions.....	3
1.1 Explanation of the symbols	3
1.2 Important safety instruction.....	3
2. Description of the device	4
3. Assembly.....	5
3.1 Wheels.....	5
3.2 Dust filter	6
3.3 Dust container	6
3.4 Flexible hose	7
3.5 Accessory.....	7
4. Use.....	7
4.1 Power ON / OFF	7
4.2 Additional socket.....	7
4.3 Dry vacuuming.....	8
4.4 Wet vacuuming	10
5. Maintenance and cleaning.....	10
6. Troubleshooting	13
7. Technical data	13
8. Disposal instructions.....	14
8.1 Disposal of the packaging	14
8.2 Disposal of waste equipment	14
8.3 Meaning of the "dustbin "	14

Please read and save these instructions. Read through this user's manual carefully before using product. Protect yourself and others by observing all safety information, warnings and cautions. Failure to comply with instructions could result in personal injury and/or damage to product or property. Please retain instructions for future reference.

1. Safety instructions

1.1 Explanation of the symbols



By means of a CE marking, it can be recognized that a product complies with the legal requirements of European legal standards and therefore may be traded within the European Community.



Warning! Read the safety instructions carefully. Failure to follow the safety precautions could result in serious injury or damage. Keep the operating instructions in a safe place.



Take special care when using this article.



This product has been tested and certified by Intertek. The symbol "GS" stands for tested safety. Products marked with this symbol, comply with the requirements of the German Product Safety Act (ProdSG).



This product **must not** be disposed of with household waste!

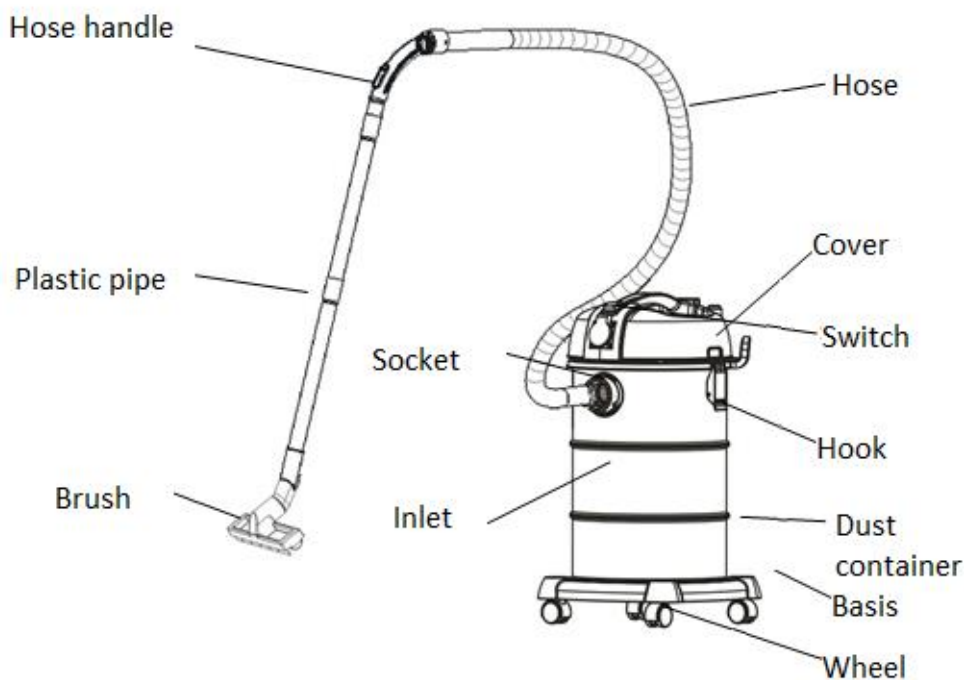
1.2 Important safety instruction

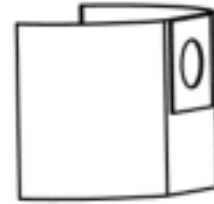
- If the supply cord is damaged, it must be replaced by a special cord or assembly available from the manufacturer or its service agent.
- This appliance is not intended for use by persons (including children) with reduced physical, sensory or mental capabilities or lack of experience and knowledge, unless they have been given supervision or instruction concerning use of the appliance by a person responsible for their safety. Children should be supervised to ensure that they do not play with the appliance.
- This appliance can be used by children aged from 8 years and above and persons with reduced physical, sensory or mental capabilities or lack of experience and knowledge if they

have been given supervision or instruction concerning use of the appliance in a safe way and understand the hazards involved. Children shall not play with the appliance. Cleaning and user maintenance shall not be made by children without supervision.

- The plug must be removed from the socket-outlet before cleaning or maintaining the appliance.
- Do not vacuum any sharp-edged, hot or incandescent materials.
- The appliance should not be exposed to heat.
- Unplug the appliance from the mains supply socket after use and before every cleaning. Pull the plug, not the mains cable, in order to disconnect the appliance from the mains.
- Do not put any object into openings. Do not use with any opening blocked. Keep free of dust, lint, hair, etc.
- Do not use the vacuum cleaner without dust container or dust filter in place.
- Do not vacuum any flour, cement etc, in order to avoid the overloads.
- The appliance should only be cleaned with a dry or damp cloth; it should never immerse in water. Do not use any solvents for cleaning.
- This appliance is intended for domestic use only and not for commercial applications.
- Avoid the nozzle or brush touching the surface of the furniture.
- Do not use the mains wire to carry the appliance. Do not pull the mains wire over sharp edges.

2. Description of the device

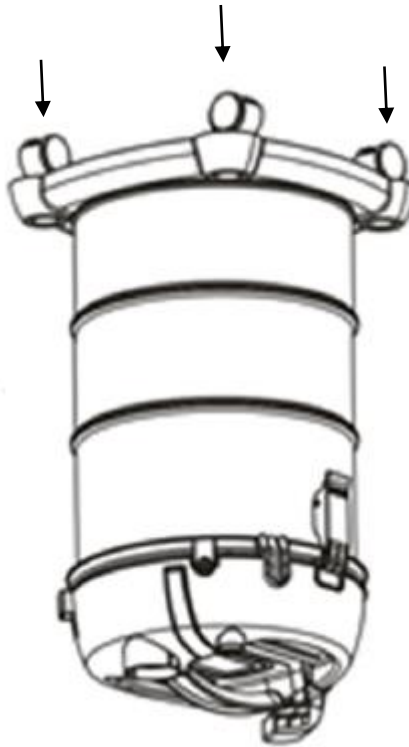




3. Assembly

3.1 Wheels

- Attach the rear wheels into base.



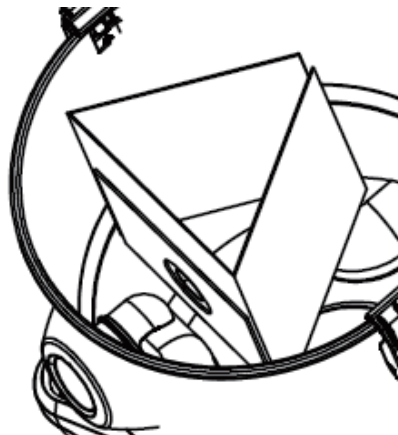
3.2 Dust filter

- Install the HEPA filter on the filter basket.

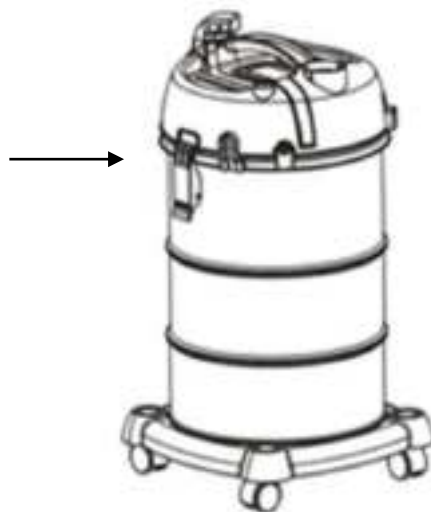


3.3 Dust container

- Attach the dust container to the vacuum cleaner.
- Put the paper filter bag in the collection container carefully.

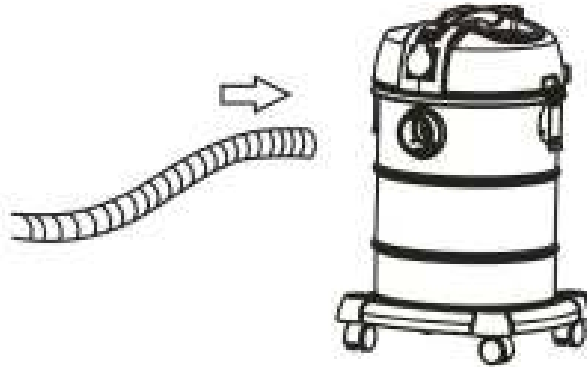


- Attach the top of the vacuum cleaner to the collection container and secure it with the indicated hook.



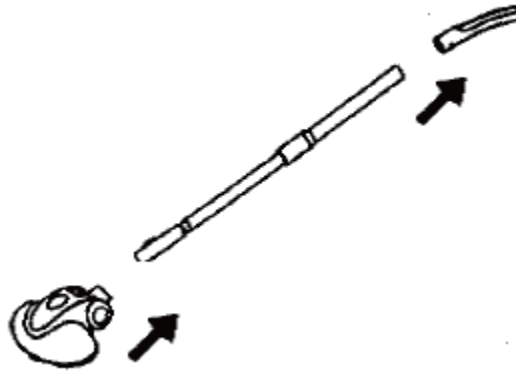
3.4 Flexible hose (optional)

- To use the flexible hose, insert the end of the hose into the suction hole. Make sure, that it is snapped in the correct position.



3.5 Accessory

- Choose your desired accessory (brush or nozzle) and attach it to the suction hole.



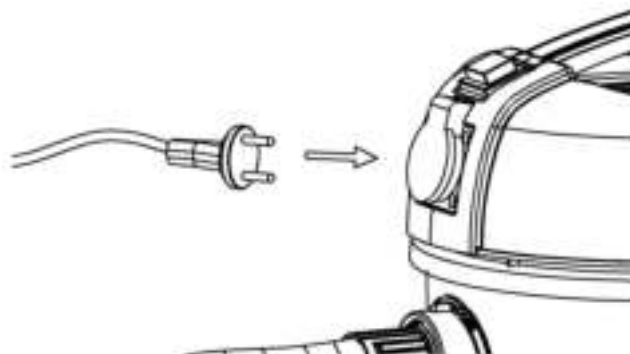
4. Use

4.1 Power ON / OFF

- Power the vacuum cleaner on by turning the switch to position "I".
- Power the vacuum cleaner off by turning the switch to position "O".

4.2 Additional socket

- Connect power tools (max. 1000 W) to the built-in power outlet.



4.3 Dry vacuuming

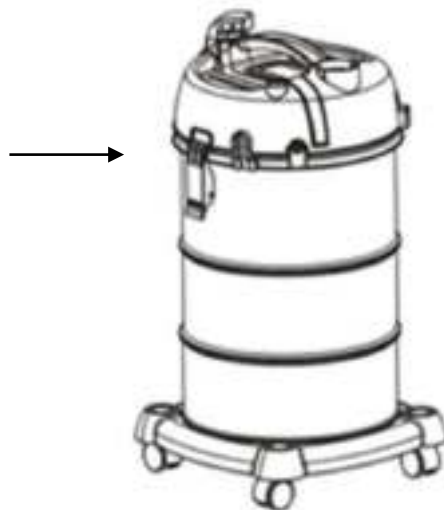
- Install the HEPA filter on the filter basket.



- Put the paper filter bag in the collection container carefully.



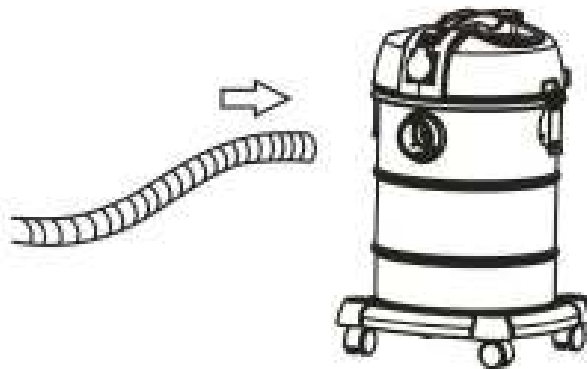
- Attach the top of the vacuum cleaner to the collection container and secure it with the indicated hook.



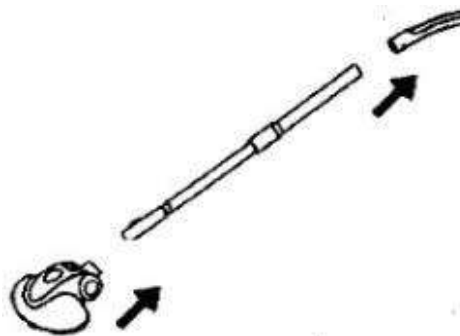
- Unwind the power cord.



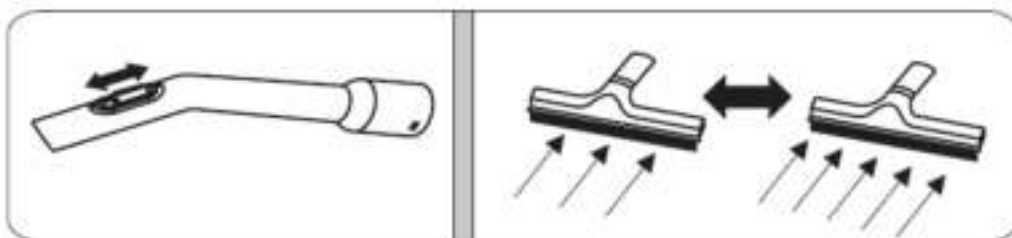
- To use the flexible hose, insert the end of the hose into the suction hole. Make sure, that it is snapped in the position.
Caution: Before you start the appliance, make sure that the hose assembly is in the position. or else the appliance had mangled.



- Choose your desired accessory (brush or nozzle) and attach it to the suction hole.



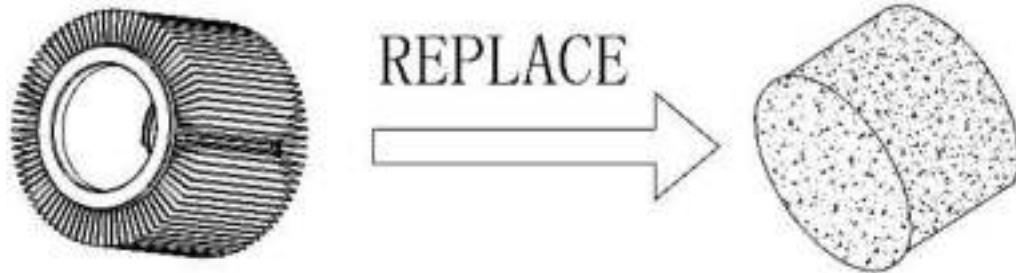
- Adjust the airflow by pushing the sliding block up and down.



- Plug the appliance and switch on.
- Turn the vacuum cleaner on.
- After filling the collecting container, the suction power is considerably reduced.
- Turn the vacuum cleaner off.
- Unplug the appliance after use.
- Empty and clean the collection container.

4.4 Wet vacuuming

- **Caution:** The paper filter bag and the HEPA filter are not suitable for wet vacuuming.
- Remove the HEPA filter from the filter basket and install the foam filter.



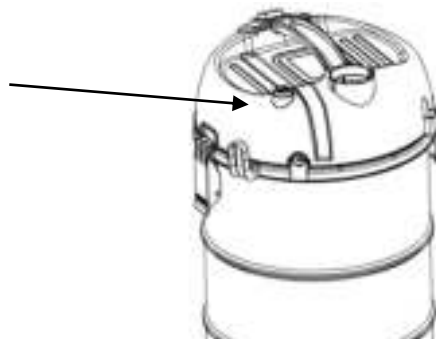
- Unwind the power cord.
- Attach the top of the vacuum cleaner to the collection container and secure it with the hook.
- To use the flexible hose, insert the end of the hose into the suction hole. Make sure, that it is snapped in the position.
Caution: Before you start the appliance, make sure that the hose assembly is in the position or else the appliance had mangled.
- Choose your desired accessory (brush or nozzle) and attach it to the suction hole.
- Adjust the airflow by pushing the sliding block up and down.
- Plug the appliance and switch on.
- Turn the vacuum cleaner on.
- After filling the collecting container, the suction power is considerably reduced.
- Turn the vacuum cleaner off.
- Unplug the appliance after use.
- Empty and clean the collection container.

5. Maintenance and cleaning

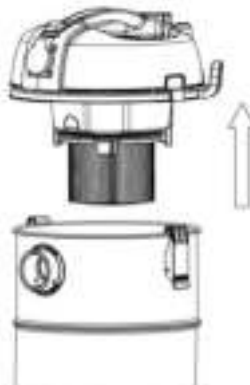
- Before carrying out any maintenance work, switch off the appliance and unplug the power cord from the wall socket.
- Clean the surface with a soft, dry cloth.
- Never use water or detergents such as garbage, gasoline or thinner to clean the unit.
- Press the switch, release the handle. The filter is cleaned by moving the handle up and down.



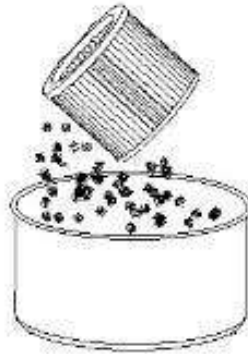
- After cleaning, push the handle back into its position.



- Release the hook and lift the cover of the vacuum cleaner.



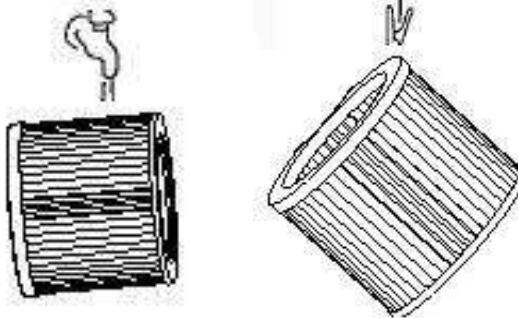
- Carefully remove the HEPA filter from the filter basket.
- Clean the HEPA filter by knocking out the impurities.



- Remove the full paper filter bag from the collection container. Discard the full paper filter bag.



- If necessary, wash out the HEPA filter in water. But it must be dry before it can be used again.
Attention: Do not put it in the sun.



- Reassemble the vacuum cleaner.



6. Troubleshooting

- Before you contact our service center, please check the following:

Problem	Possible reason	Advice
Motor does not start	<ul style="list-style-type: none"> - Power cord not firmly plugged into outlet. - Outlet damaged. - Cleaner not switched on. 	<ul style="list-style-type: none"> - Plug unit firmly. - Check the Outlet. - Switch on the appliance.
Suction power is weaker.	<ul style="list-style-type: none"> - Unit clogged. - Cloth filter bag or paper filter bag needs cleaning. - Collection container not in needs cleaning. - Collection container not in position. 	<ul style="list-style-type: none"> - Remove the blockage. - Clean the cloth filter bag or paper filter bag. - Attach the collection container again to the cleaner.

7. Technical data

Model	AR-HE-SS2300B/R/Y
Nominal voltage	220-240 V AC
Nominal frequency	50/60 Hz
Maximal power	2300 W
Rated output	1300 W
Outlet	1000 W
Operating pressure	≥ 16 kPa
Volume	< 82 dB (A)
Protection class	IP 24, Class I

8. Disposal instructions

8.1 Disposal of the packaging

- Please make reference to the guidelines and standards for appropriate disposal of the packaging valid in your region. In part, the package may consist of plastic bags - watch this respect, with special care to ensure that this is out of the reach of children. There is a risk of suffocation!

8.2 Disposal of waste equipment

- Equipment must be disposed of in accordance with the rules and regulations of the local waste disposal.

8.3 Meaning of the "dustbin "



Protect our environment; electrical appliances do not belong in household waste. Use the provided for the disposal of electrical equipment collection points and enter your electrical and electronic equipment that you no longer use. They help ensure that the potential effects of incorrect disposal on the environment and human health to be avoided. So, do your part to recycle, recycling and other forms of recovery of waste electrical and electronic equipment. Information on where the devices are disposed of, please contact your local authorities or local Governments.

Our customer service number: +49 (0) 931-45232700

EU Declaration of Conformity

We,

Canbolat Vertriebs GmbH, Gneisenaustraße 10-11, 97074 Würzburg, Germany

Hereby declare that the product named below, seen its design and construction as well as according to our sales, has been complied with the relevant and basic health and safety EU-requirements.

Product name: Industry Vacuum Cleaner with socket outlet 2300 W blue/ red/ yellow
Article number: 4260627422852 (blue)/ 4260627422869 (red)/ 4260627422876 (yellow)
Model number: AR-HE-SS2300B/ AR-HE-SS2300R/ AR-HE-SS2300G

If the product has any modification not allowed by us, this declaration loses its validity.

Tested acc. to:

Reference to the harmonized standards:

EN 62233:2008

EN 60335-2-2:2010+A11:2012+A1:2013

AfPS GS 2019:01 PAK

EN 60335-2:2012+AC:2014+A11:2014+A13:2017+A1:2019+A2:2019+A14:2019

Date/Manufacturer Signature/Location:

Würzburg, 13.03.2020



Identification of the signatory:

Korhan Canbolat, head of the company

Authorised representative for the technical documentation:

Korhan Canbolat

Office address:

Canbolat Vertriebs GmbH

Gneisenaustraße 10-11

97074 Würzburg

Return address can be found in the imprint: <https://www.arebos.de/impressum/>

VAT identification number: DE 263752326

Court of the Commercial Register is Würzburg, HRB 10082

WEEE Reg.-No. DE 61617071