



| | | | | | |
|------------|--|----|------------|---|-----|
| GB | ORIGINAL INSTRUCTIONS | 10 | GR | ΠΡΩΤΟΤΥΠΟ ΟΔΗΓΙΩΝ ΧΡΗΣΗΣ | 63 |
| F | NOTICE ORIGINALE | 13 | RO | INSTRUCȚIUNI DE FOLOSIRE ORIGINALE | 67 |
| D | ORIGINALBETRIEBSANLEITUNG | 16 | BG | ОРИГИНАЛНО РЪКОВОДСТВО ЗА ЕКСПЛОАТАЦИЯ | 70 |
| NL | ORIGINELE GEBRUIKSAANWIJZING | 20 | SK | PŔOVODNÝ NÁVOD NA POUŽITIE | 74 |
| S | BRUKSANVISNING I ORIGINAL | 23 | HR | ORIGINALNE UPUTE ZA RAD | 78 |
| DK | ORIGINAL BRUGSANVISNING | 26 | SRB | ORIGINALNO UPUTSTVO ZA RAD | 81 |
| N | ORIGINAL BRUKSANVISNING | 30 | SLO | IZVIRNA NAVODILA | 84 |
| FIN | ALKUPERÄISET OHJEET | 33 | EST | ALGUPÄRANE KASUTUSJUHEND | 87 |
| E | MANUAL ORIGINAL | 36 | LV | ORIĢINĀLĀ LIETOŠANAS PAMĀCĪBA | 90 |
| P | MANUAL ORIGINAL | 39 | LT | ORIGINALI INSTRUKCIJA | 94 |
| I | ISTRUZIONI ORIGINALI | 43 | MK | ИЗБОРНО УПАТСТВО ЗА РАБОТА | 97 |
| H | EREDETI HASZNÁLATI UTASÍTÁS | 46 | AL | UDHËZIMET ORIGJINALE | 101 |
| CZ | PŔVODNÍM NÁVODEM K POUŽÍVÁNÍ | 50 | AR | دليل الاستعمال | 109 |
| TR | ORİJİNAL İŞLETME TALİMATI | 53 | FA | راهنمای اصلی | 107 |
| PL | INSTRUKCJA ORYGINALNA | 56 | | | |
| UA | ОРИГІНАЛЬНА ІНСТРУКЦІЯ З ЕКСПЛУАТАЦІЇ | 59 | | | |



| | | | |
|------------|--|--------------------|--|
| GB | EU Declaration of conformity | | We declare under our sole responsibility that the stated products comply with all applicable provisions of the directives and regulations listed below and are in conformity with the following standards. |
| | Jig saw | Article number | Technical file at:* |
| F | Déclaration de conformité UE | | Nous déclarons sous notre propre responsabilité que les produits décrits sont en conformité avec les directives, règlements normatifs et normes énumérés ci-dessous. |
| | Scie sauteuse | Número d'article | Dossier technique auprès de:* |
| D | EU-Konformitätserklärung | | Wir erklären in alleiniger Verantwortung, dass die genannten Produkte allen einschlägigen Bestimmungen der nachfolgend aufgeführten Richtlinien und Verordnungen entsprechen und mit folgenden Normen übereinstimmen. |
| | Stichsäge | Sachnummer | Technische Unterlagen bei:* |
| NL | EU-conformiteitsverklaring | | Wij verklaren op eigen verantwoordelijkheid dat de genoemde producten voldoen aan alle desbetreffende bepalingen van de hierna genoemde richtlijnen en verordeningen en overeenstemmen met de volgende normen. |
| | Decoupeerzaag | Productnummer | Technisch dossier bij:* |
| S | EU-konformitetsförklaring | | Vi förklarar under eget ansvar att de nämnda produkterna uppfyller kraven i alla gällande bestämmelser i de nedan angivna direktiven och förordningarna och att de stämmer överens med följande normer. |
| | Figursåg | Produktnummer | Teknisk dokumentation:* |
| DK | EU-overensstemmelseserklæring | | Vi erklærer som eneansvarlige, at det beskrevne produkt er i overensstemmelse med alle gældende bestemmelser i følgende direktiver og forordninger og opfylder følgende standarder. |
| | Stiksav | Typenummer | Tekniske bilag ved:* |
| N | EU-samsvarserklæring | | Vi erklærer under eneansvar at de nevnte produktene er i overensstemmelse med alle relevante bestemmelser i direktivene og forordningene nedenfor og med følgende standarder. |
| | Stikksag | Produktnummer | Teknisk dokumentasjon hos:* |
| FIN | EU-vaatimustenmukaisuusvakuutus | | Vakuutamme täten, että mainitut tuotteet vastaavat kaikkia seuraavien direktiivien ja asetusten asiaankuuluvia vaatimuksia ja ovat seuraavien standardien vaatimusten mukaisia. |
| | Pistosaha | Tuotenumero | Tekniset asiakirjat saatavana:* |
| E | Declaración de conformidad UE | | Declaramos bajo nuestra exclusiva responsabilidad, que los productos nombrados cumplen con todas las disposiciones correspondientes de las directivas y los reglamentos mencionados a continuación y están en conformidad con las siguientes normas. |
| | Sierra caladora artículo | Número de | Documentos técnicos de:* |
| P | Declaração de conformidade CE | | Declaramos sob nossa exclusiva responsabilidade que os produtos mencionados cumprem todas as disposições e os regulamentos indicados e estão em conformidade com as seguintes normas. |
| | Serra vertical | Número do produto | Documentação técnica pertencente à:* |
| I | Dichiarazione di conformità UE | | Dichiariamo sotto la nostra piena responsabilità che i prodotti indicati sono conformi a tutte le disposizioni pertinenti delle direttive e dei regolamenti elencati di seguito, nonché alle seguenti normative. |
| | Sega da traforo | Codice prodotto | Documentazione tecnica presso:* |
| H | EU konformitási nyilatkozat | | Egyedüli felelőséggel kijelentjük, hogy a megnevezett termékek megfelelnek az alábbiakban felsorolásra kerülő irányelvek és rendeletek valamennyi idevágó előírásainak és megfelelnek a következő szabványoknak. |
| | Szűrőfűrész | Cikkszám | Műszaki dokumentumok megőrzési pontja:* |
| CZ | EU prohlášení o shodě | | Prohlašujeme na výhradní zodpovědnost, že uvedený výrobek splňuje všechna příslušná ustanovení níže uvedených směrnic a nařízení a je v souladu s následujícími normami. |
| | Kmitací pila | Objednáací číslo | Technické podklady u:* |
| TR | AB Uygunluk beyanı | | Tek sorumlu olarak, tanımlanan ürünün aşağıdaki yönetmelik ve direktiflerin geçerli bütün hükümlerine ve aşağıdaki standartlara uygun olduğunu beyan ederiz. |
| | Dekupaj testere | Ürün kodu | Teknik belgelerin bulunduğu yer:* |
| PL | Deklaracja zgodności UE | | Oświadczamy z pełną odpowiedzialnością, że niniejsze produkty odpowiadają wszystkim wymaganiom poniżej wyszczególnionych dyrektyw i rozporządzeń, oraz że są zgodne z następującymi normami. |
| | Pilarka tarczowa | Numer katalogowy | Dokumentacja techniczna:* |
| RU | Заявление о соответствии ЕС | | Мы заявляем под нашу единоличную ответственность, что названные продукты соответствуют всем действующим предписаниям нижеуказанных директив и распоряжений, а также нижеуказанных норм. |
| | Wyrzuparka | Товарный номер | Техническая документация хранится у:* |
| UA | Заява про відповідність ЄС | | Мизявляємо під нашу одноособову відповідальність, що названі вироби відповідають усім чинним положенням нищезначених директив і розпоряджень, а також нищезначеним нормам. |
| | Електричний лобзин | Товарний номер | Технічна документація зберігається у:* |
| GR | Δήλωση πιστότητας ΕΕ | | Δηλώνουμε με αποκλειστική μας ευθύνη, ότι τα αναφερόμενα προϊόντα συμμορφώνουν σε όλες τις σχετικές διατάξεις των πιο κάτω αναφερόμενων οδηγιών και κανονισμών και ταυτίζονται με τα ακόλουθα πρότυπα. |
| | Σέγα | Αριθμός ευρετηρίου | Τεχνικά έγγραφα στη:* |

| | | | |
|-------------|--|-----------------------|---|
| RO | Declarație de conformitate UE | | Declarăm pe proprie răspundere că produsele menționate corespund tuturor dispozițiilor relevante ale directivelor și reglementărilor enumerate în cele ce urmează și sunt în conformitate cu următoarele standarde. |
| | Ferăstrău vertical | Număr de identificare | Documentație tehnică la:* |
| BG | ЕС декларация за съответствие | | С пълна отговорност ние декларираме, че посочените продукти отговарят на всички валидни изисквания на директивите и разпоредбите по-долу и съответства на следните стандарти. |
| | Прободен трион | Каталожен номер | Техническа документация при:* |
| SK | Pôvodnej EU vyhlásenie o zhode | | Vyhlasujeme na výhradnú zodpovednosť, že uvedený výrobok spĺňa všetky príslušné ustanovenia nižšie uvedených smerníc a nariadení a je v súlade s nasledujúcimi normami. |
| | Priamočiara píla | Vecné číslo | Technické podklady má spoločnosť:* |
| HR | EU izjava o sukladnosti | | Pod punom odgovornošću izjavljujemo da navedeni proizvodi odgovaraju svim relevantnim odredbama direktiva i propisima navedenima u nastavku i da su sukladni sa sljedećim normama. |
| | Ubodna pila | Kataloški broj | Tehnička dokumentacija se može dobiti kod:* |
| SRB | EU-izjava o usaglašenosti | | Na sopstvenu odgovornost izjavljujemo, da navedeni proizvodi odgovaraju svim dotičnim odredbama naknadno navedenih smernica u uredaba i da su u skladu sa sledećim standardima. |
| | Ubodna testera | Broj predmeta | Tehnička dokumentacija kod:* |
| SLO | Izjava o skladnosti ES | | Izjavljamo pod izključno odgovornostjo, da je omenjen izdelek v skladu z vsemi relevantnimi določili direktiv in uredb ter ustreza naslednjim standardom. |
| | Vbodna žaga | Številka artikla | Tehnična dokumentacija pri:* |
| EST | EL-vastavusdeklaratsioon | | Kinnitame ainuvastutajatena, et nimetatud tooted vastavad järgnevalt loetletud direktiivide ja määruste kõikidele asjaomastele nõuetele ja on kooskõlas järgmistega normidega. |
| | Tikkaaag | Tootenumber | Tehnilised dokumendid saadaval:* |
| LV | Deklarācija par atbilstību EK standartiem | | Mēs ar pilnu atbildību paziņojam, ka šeit aplūkoti izstrādājumi atbilst visiem tālāk minētajās direktīvās un rīkojumos ietvertajām saistošajām nostādņēm, kā arī sekojošiem standartiem. |
| | Figūrzāģis | Izstrādājuma numurs | Tehniskā dokumentācija no:* |
| LT | ES atitikties deklaracija | | Atsakingai pareiškiame, kad išvardyti gaminiai atitinka visus privalomus žemiau nurodytų direktyvų ir reglamentų reikalavimus ir šiuos standartus. |
| | Siaurapjūklas | Gaminio numeris | Techninė dokumentacija saugoma:* |
| MK | EU-Изјава за сообразност | | Со целосна одговорност изјавуваме, дека опишаните производи се во согласност со сите релевантни одредби на следните регулативи и прописи и се во согласност со следните норми. |
| | Убодна пила | Број на артикл | Техничка документација кај:* |
| AL | EU Deklarata e konformitetit | | Ne deklarojmë me përgjegjësinë tonë të vetme se produktet e paraqitura janë në përputhje me të gjitha dispozitat e zbatueshme të direktivave dhe rregulloreve të listuara më poshtë dhe janë në përputhje me standardet si më poshtë. |
| | Sharrë sege | Numri i nenit | Dosja teknike në:* |
| 1061 | F0151061.. | 2006/42/EC | EN 62841-1:2015 |
| | | 2014/30/EU | EN 62841-2-11:2016 |
| | | 2011/65/EU | EN 60825-1:2014 |
| | | | EN 61000-3-2:2014 |
| | | | EN 61000-3-3:2013 |
| | | | EN 55014-1:2006 + A1:2009 + A2:2011 |
| | | | EN 55014-2:2015 |
| | | | EN 50581:2012 |
| | | |  * Skil BV Konijnenberg 62 4825 BD Breda The Netherlands |
| | | | Olaf Dijkgraaf Approval Manager |
| | | |  |
| | | | Skil BV, Konijnenberg 62, 4825 BD Breda, NL 17.12.2018 |

1

1061

800
Watt

2,5 kg

100mm

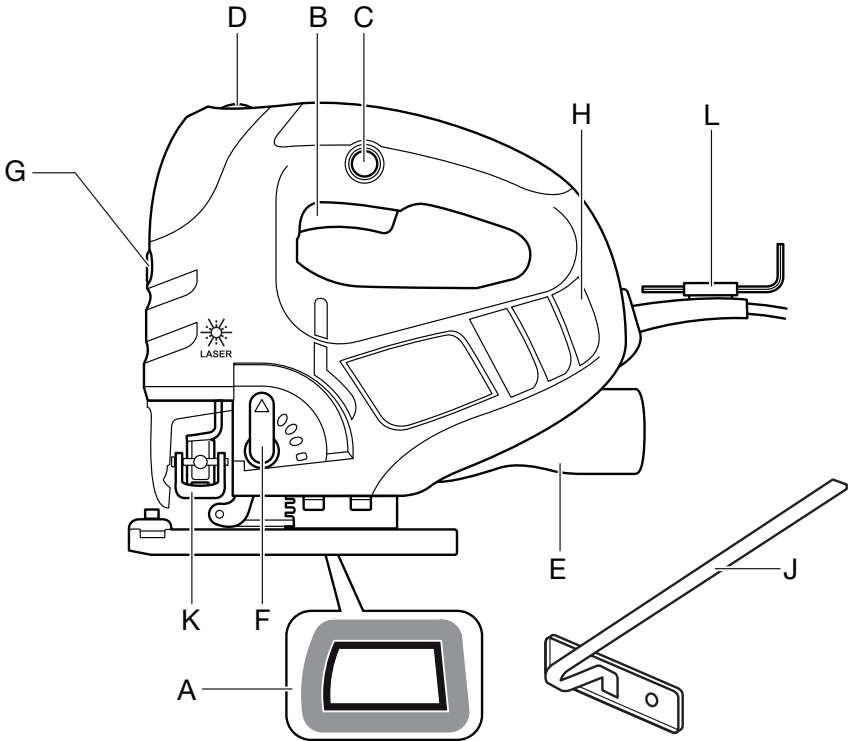
Alu
10 mm

Fe
4 mm

800-3000
p/min

230
240
V~
50-60 Hz

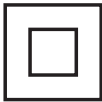
2



3



4

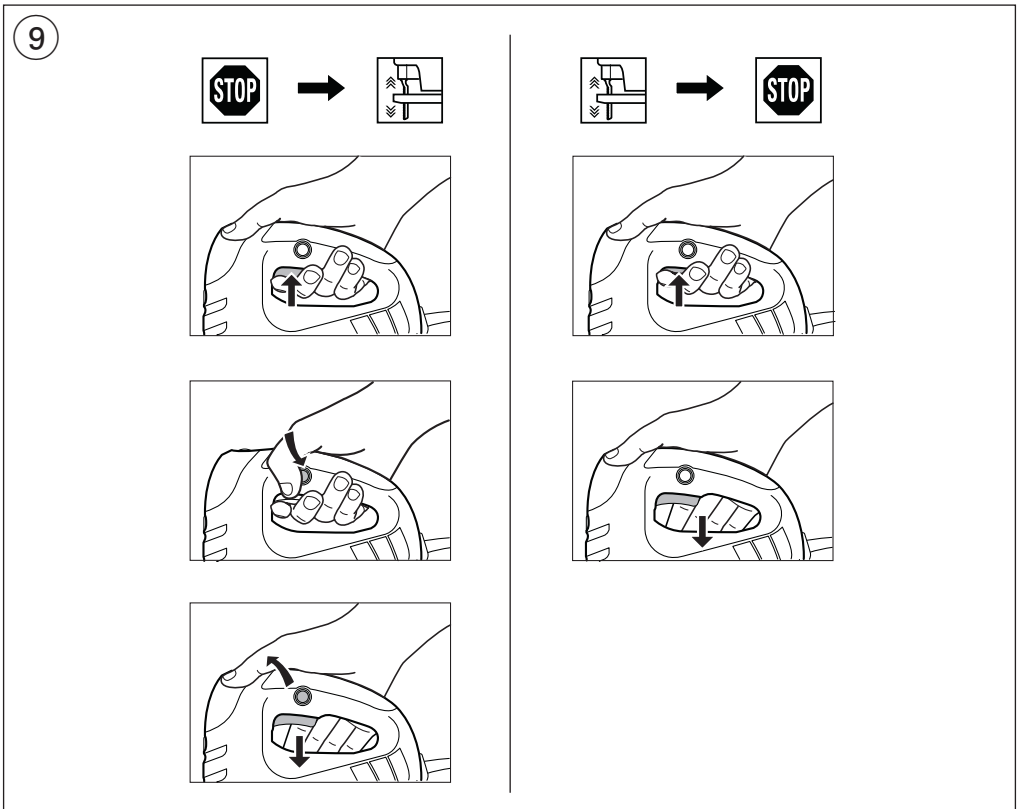
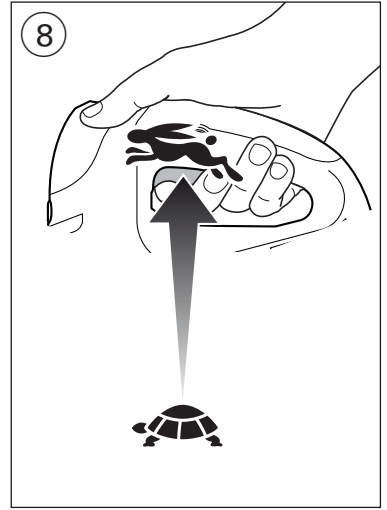
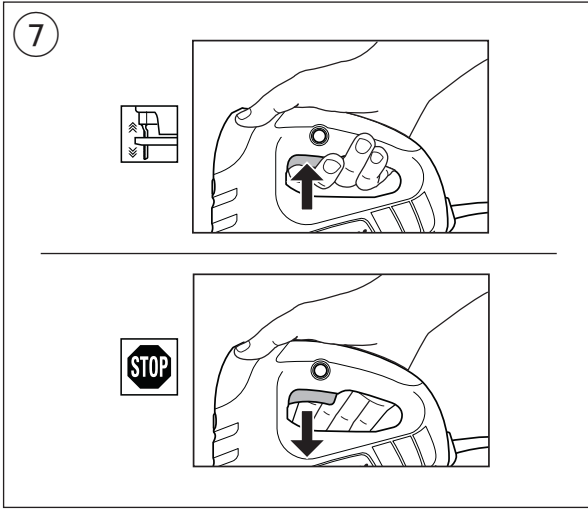


5

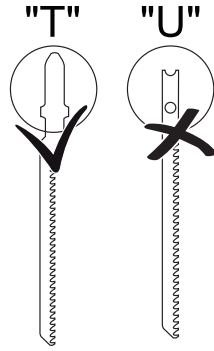
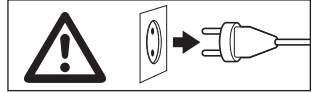
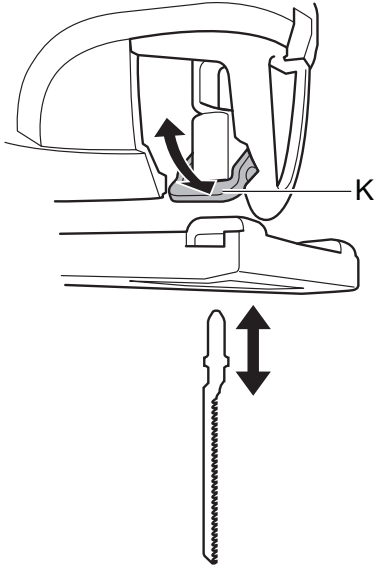


6

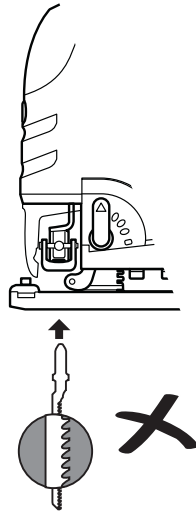
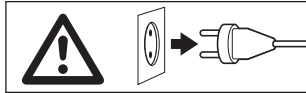
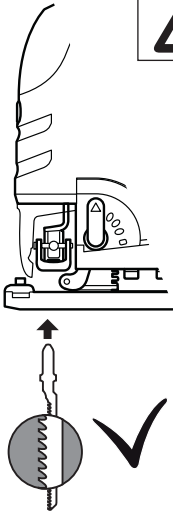




10

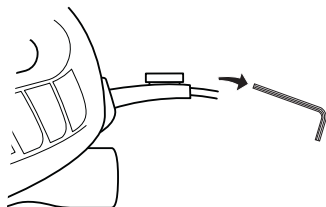


11

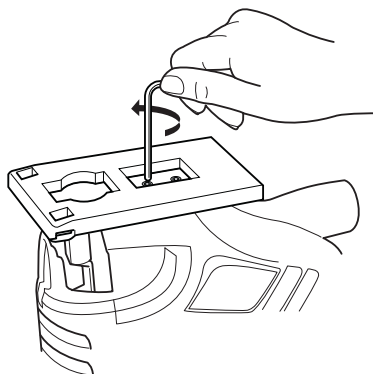


12

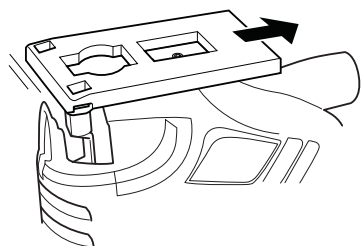
1



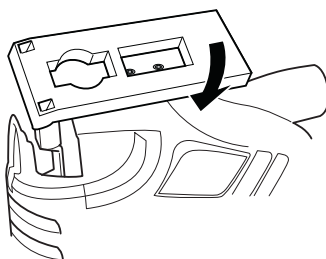
2



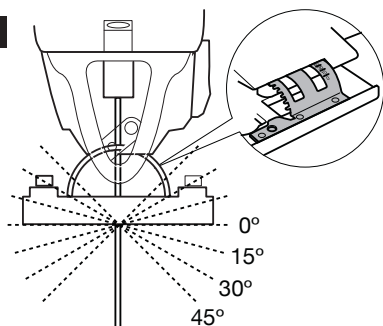
3



4

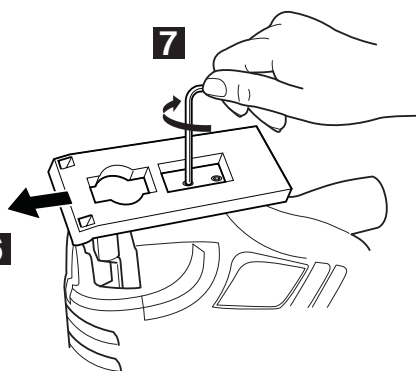


5

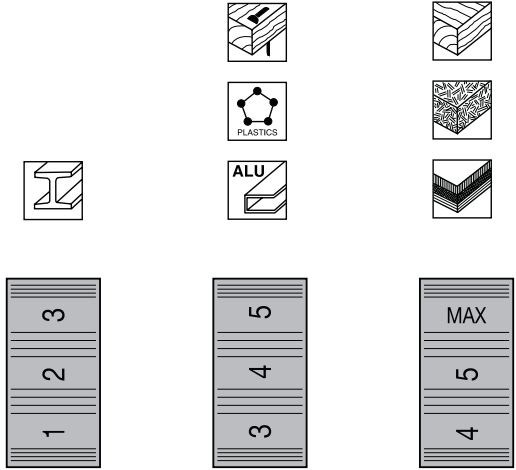
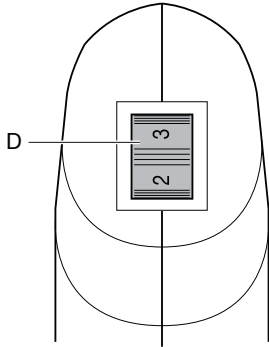


7

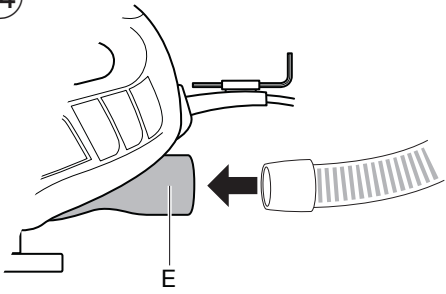
6



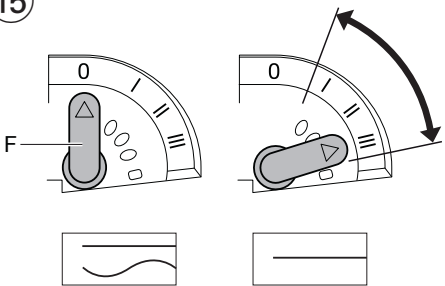
13



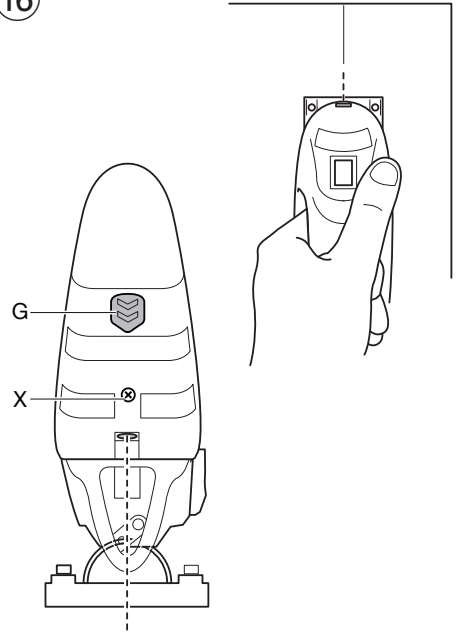
14

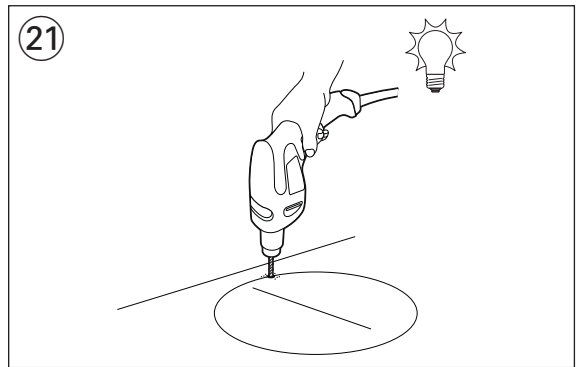
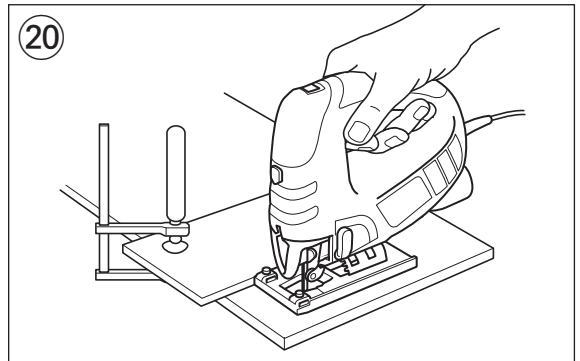
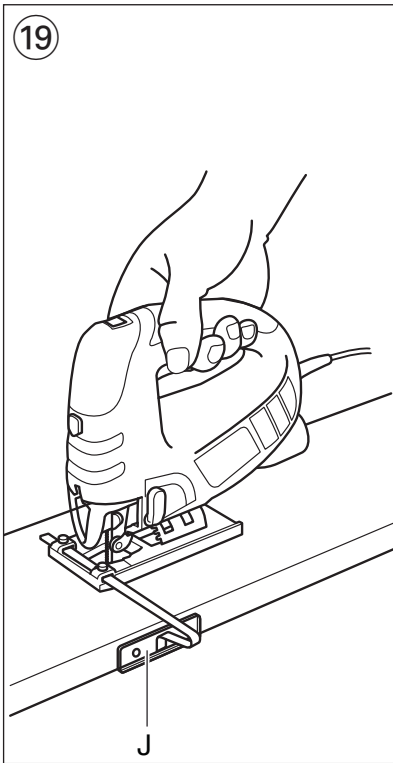
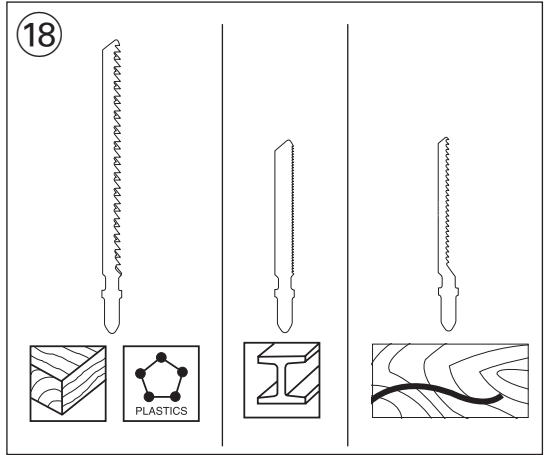
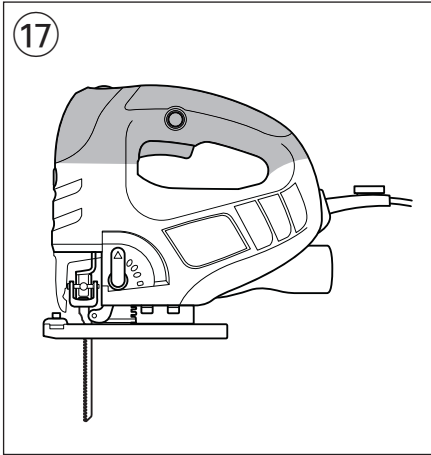


15



16





ACCESSORIES → **WWW.SKIL.COM**

INTRODUCTION

- This tool is intended for making cut-throughs and cut-outs in wood, plastic, metal, ceramic plates and rubber, and is suitable for straight and curved cuts with mitre angles to 45°
- This tool is not intended for professional use
- Read and save this instruction manual ③

TECHNICAL DATA ①

TOOL ELEMENTS ②

- A Warning label ⑥
- B Switch for on/off and speed control
- C Button for switch locking
- D Wheel for adjusting sawing speed
- E Extension for vacuum cleaner
- F Lever for selecting sawing mode
- G On/off switch laser
- H Ventilation slots
- J Parallel guide
- K Clic-system for changing saw blades
- L Storage for key

SAFETY

GENERAL POWER TOOL SAFETY WARNINGS

⚠ WARNING Read all safety warnings, instructions, illustrations and specifications provided with this power tool. Failure to follow all instructions listed below may result in electric shock, fire and/or serious injury.

Save all warnings and instructions for future reference.

The term "power tool" in the warnings refers to your mains-operated (corded) power tool or battery-operated (cordless) power tool.

1) WORK AREA SAFETY

- a) **Keep work area clean and well lit.** Cluttered or dark areas invite accidents.
- b) **Do not operate power tools in explosive atmospheres, such as in the presence of flammable liquids, gases or dust.** Power tools create sparks which may ignite the dust or fumes.
- c) **Keep children and bystanders away while operating a power tool.** Distractions can cause you to lose control.

2) ELECTRICAL SAFETY

- a) **Power tool plugs must match the outlet. Never modify the plug in any way. Do not use any adapter plugs with earthed (grounded) power tools.** Unmodified plugs and matching outlets will reduce risk of electric shock.
- b) **Avoid body contact with earthed or grounded surfaces such as pipes, radiators, ranges and**

refrigerators. There is an increased risk of electric shock if your body is earthed or grounded.

- c) **Do not expose power tools to rain or wet conditions.** Water entering a power tool will increase the risk of electric shock.
- d) **Do not abuse the cord. Never use the cord for carrying, pulling or unplugging the power tool. Keep cord away from heat, oil, sharp edges or moving parts.** Damaged or entangled cords increase the risk of electric shock.
- e) **When operating a power tool outdoors, use an extension cord suitable for outdoor use.** Use of a cord suitable for outdoor use reduces the risk of electric shock.
- f) **If operating a power tool in a damp location is unavoidable, use a residual current device (RCD) protected supply.** Use of an RCD reduces the risk of electric shock.

3) PERSONAL SAFETY

- a) **Stay alert, watch what you are doing and use common sense when operating a power tool. Do not use a power tool while you are tired or under the influence of drugs, alcohol or medication.** A moment of inattention while operating power tools may result in serious personal injury.
 - b) **Use personal protective equipment. Always wear eye protection.** Protective equipment such as dust mask, non-skid safety shoes, hard hat, or hearing protection used for appropriate conditions will reduce personal injuries.
 - c) **Prevent unintentional starting. Ensure the switch is in the off-position before connecting to power source and/or battery pack, picking up or carrying the tool.** Carrying power tools with your finger on the switch or energising power tools that have the switch on invites accidents.
 - d) **Remove any adjusting key or wrench before turning the power tool on.** A wrench or a key left attached to a rotating part of the power tool may result in personal injury.
 - e) **Do not overreach. Keep proper footing and balance at all times.** This enables better control of the power tool in unexpected situations.
 - f) **Dress properly. Do not wear loose clothing or jewellery. Keep your hair and clothing away from moving parts.** Loose clothes, jewellery or long hair can be caught in moving parts.
 - g) **If devices are provided for the connection of dust extraction and collection facilities, ensure these are connected and properly used.** Use of dust collection can reduce dust-related hazards.
 - h) **Do not let familiarity gained from frequent use of tools allow you to become complacent and ignore tool safety principles.** A careless action can cause severe injury within a fraction of a second.
- #### 4) POWER TOOL USE AND CARE
- a) **Do not force the power tool. Use the correct power tool for your application.** The correct power tool will do the job better and safer at the rate for which it was designed.

- b) **Do not use the power tool if the switch does not turn it on and off.** Any power tool that cannot be controlled with the switch is dangerous and must be repaired.
- c) **Disconnect the plug from the power source and/or remove the battery pack, if detachable, from the power tool before making any adjustments, changing accessories, or storing power tools.** Such preventive safety measures reduce the risk of starting the power tool accidentally.
- d) **Store idle power tools out of the reach of children and do not allow persons unfamiliar with the power tool or these instructions to operate the power tool.** Power tools are dangerous in the hands of untrained users.
- e) **Maintain power tools and accessories. Check for misalignment or binding of moving parts, breakage of parts and any other condition that may affect the power tool's operation. If damaged, have the power tool repaired before use.** Many accidents are caused by poorly maintained power tools.
- f) **Keep cutting tools sharp and clean.** Properly maintained cutting tools with sharp cutting edges are less likely to bind and are easier to control.
- g) **Use the power tool, accessories and tool bits etc., in accordance with these instructions, taking into account the working conditions and the work to be performed.** Use of the power tool for operations different from those intended could result in a hazardous situation.
- h) **Keep handles and grasping surfaces dry, clean and free from oil and grease.** Slippery handles and grasping surfaces do not allow for safe handling and control of the tool in unexpected situations.

5) SERVICE

- a) **Have your power tool serviced by a qualified repair person using only identical replacement parts.** This will ensure that the safety of the power tool is maintained.

SAFETY INSTRUCTIONS FOR JIG SAWS

GENERAL

- Always check that the supply voltage is the same as the voltage indicated on the nameplate of the tool (tools with a rating of 230V or 240V can also be connected to a 220V supply)
- Check the functioning of the tool before each use and, in case of a defect, have it repaired immediately by a qualified person; never open the tool yourself
- **Do not work materials containing asbestos** (asbestos is considered carcinogenic)
- This tool should not be used by people under the age of 16 years
- The noise level when working can exceed 85 dB(A); wear ear protection
- Wear protective goggles when working with materials which produce chips
- Dust from material such as paint containing lead, some wood species, minerals and metal may be harmful (contact with or inhalation of the dust may cause allergic reactions and/or respiratory diseases to the operator or bystanders); **wear a dust mask and work with a dust extraction device when connectable**
- Certain kinds of dust are classified as carcinogenic (such as oak and beech dust) especially in conjunction with

additives for wood conditioning; **wear a dust mask and work with a dust extraction device when connectable**

- Follow the dust-related national requirements for the materials you want to work with
 - Use completely unrolled and safe extension cords with a capacity of 16 Amps (U.K. 13 Amps)
 - **Always disconnect plug from power source before making any adjustment or changing any accessory**
- ### BEFORE USE
- Remove all obstacles on top of as well as underneath the cutting path before you start cutting
 - Avoid damage that can be caused by screws, nails and other elements in your workpiece; remove them before you start working
 - **Use clamps or another practical way to secure and support the workpiece to a stable platform** (holding the workpiece by hand or against your body leaves it unstable and may lead to loss of control)

DURING USE

- **Hold the power tool by insulated gripping surfaces, when performing an operation where the cutting accessory may contact hidden wiring or its own cord** (cutting accessory contacting a "live" wire may make exposed metal parts of the power tool "live" and could give the operator an electric shock)
- **When the plugged-in tool is not in use, the tool handle may warm up; this is normal and does not indicate a problem**
- Always keep the cord away from moving parts of the tool; direct the cord to the rear, away from the tool
- If the cord is damaged or cut through while working, do not touch the cord, but immediately disconnect the plug
- Never use the tool when cord is damaged; have it replaced by a qualified person
- In case of electrical or mechanical malfunction, immediately switch off the tool and disconnect the plug
- Keep hands away from the saw blade while the tool is in use

ACCESSORIES

- SKIL can assure flawless functioning of the tool only when original accessories are used
- Do not use a saw blade which is cracked, deformed or dull

OUTDOOR USE

- When used outdoors, connect the tool via a fault current (FI) circuit breaker with a triggering current of 30 mA maximum, and only use an extension cord which is intended for outdoor use and equipped with a splashproof coupling-socket

AFTER USE

- When you put away the tool, switch off the motor and ensure that all moving parts have come to a complete standstill

LASER RADIATION

- **Do not point the laser beam at persons or animals**
- **Do not look into the laser beam (laser radiation)**
- Do not use any magnifying optical tools (such as magnifying glasses, telescopes, or binoculars) to view the laser beam
- Do not operate the tool in the presence of flammable liquids, gases or dust
- Do not operate the tool with children around

EXPLANATION OF SYMBOLS ON TOOL

- ③ Read the instruction manual before use
- ④ Double insulation (no earth wire required)
- ⑤ Do not dispose of the tool together with household waste material
- ⑥ **Laser radiation / Do not stare into beam / Class 2 laser product**
WHEN CONNECTING NEW 3-PIN PLUG (U.K. ONLY):
 - Do not connect the blue (= neutral) or brown (= live) wire in the cord of this tool to the earth terminal of the plug
 - If for any reason the old plug is cut off the cord of this tool, it must be disposed of safely and not left unattended

USE

- On/off ⑦
- Speed control for smooth starting ⑧
- Switch locking for continuous use ⑨
- Changing saw blades ⑩
 - ! **insert blade to full depth with teeth facing forward** ⑪
 - ! **use T-shank blades only**
- Sawing at 15°/30°/45° ⑫
- Adjusting sawing speed to material used ⑬
 - ! **if the tool does not run with wheel D in position 1, select a higher sawing speed and lower the sawing speed while the tool runs**
- Dust suction ⑭
 - connect vacuum cleaner to extension E
 - ! **do not use vacuum cleaner when cutting metal**
- Selecting sawing mode ⑮
 - Use lever F ② for adjusting the orbital action from accurate cutting (= 0) to fast cutting (= III)
 - 1 setting ("0") for accurate cutting in all materials, straight + curved
 - 3 settings for fast cutting in different materials, straight cuts only
 - I = metal
 - II = plastic
 - III = hard wood
 - ! **always select "0" when sawing splinter-sensitive material**
- Laser line ⑯
 - for guiding tool along desired line of cut marked on the workpiece
 - switch on/off laser line by pressing switch G
 - before starting a job, check the alignment of the laser line with the actual line of cut by making a trial cut on a piece of waste material
 - ! **do not attempt to adjust the laser line with screw X which is pre-set at manufacturing**
 - ! **do not remove or damage warning label A ②**
- Operating the tool
 - before switching on the tool, ensure that front end of footplate rests flat on the workpiece
 - hold tool firmly with both hands, so you will have full control of the tool at all times
 - ! **while working, always hold the tool at the grey-coloured grip area(s) ⑰**
 - ensure that complete surface of footplate rests firmly on the workpiece

- ! **ensure that the blade has come to a complete standstill, before you lift the tool from the workpiece**
- keep ventilation slots H ② uncovered

APPLICATION ADVICE

- Use the appropriate saw blades ⑱
 - ! **use T-shank blades only**
- When cutting metals, lubricate saw blade regularly with oil
- Use parallel guide J for making parallel cuts ⑲
- For an accurate straight cut, guide tool with footplate along the edge of a straight piece of wood ⑳
- Pre-drill a hole before making cut-outs ㉑
- Splinter-free cutting
 - cover cutting-line with several layers of wide tape before cutting
 - always face the good side of the workpiece down
- For more tips see www.skil.com

MAINTENANCE / SERVICE

- This tool is not intended for professional use
- Always keep tool and cord clean (especially ventilation slots H ②)
 - ! **disconnect the plug before cleaning**
- If the tool should fail despite the care taken in manufacturing and testing procedures, repair should be carried out by an after-sales service centre for SKIL power tools
 - send the tool **undismantled** together with proof of purchase to your dealer or the nearest SKIL service station (addresses as well as the service diagram of the tool are listed on www.skil.com)

ENVIRONMENT

- **Do not dispose of electric tools, accessories and packaging together with household waste material** (only for EU countries)
 - in observance of European Directive 2012/19/EC on waste of electric and electronic equipment and its implementation in accordance with national law, electric tools that have reached the end of their life must be collected separately and returned to an environmentally compatible recycling facility
 - symbol ⑤ will remind you of this when the need for disposing occurs

NOISE / VIBRATION

- Measured in accordance with EN 62841 the sound pressure level of this tool is 88 dB(A) and the sound power level 99 dB(A) (standard deviation: 3 dB), and the vibration * (triax vector sum; uncertainty K = 1.5 m/s²)
 - * when cutting wood 6.7 m/s²
 - * when cutting metal 11.4 m/s²
- The vibration emission level has been measured in accordance with a standardised test given in EN 62841; it may be used to compare one tool with another and as a preliminary assessment of exposure to vibration when using the tool for the applications mentioned
 - using the tool for different applications, or with different or poorly maintained accessories, may significantly **increase** the exposure level

- the times when the tool is switched off or when it is running but not actually doing the job, may significantly **reduce** the exposure level
- ! **protect yourself against the effects of vibration by maintaining the tool and its accessories, keeping your hands warm, and organizing your work patterns**

F

Scie sauteuse

1061

INTRODUCTION

- Cet outil est conçu pour effectuer des découpes et coupes dans le bois, les matières plastiques, le métal, les plaques en céramique et le caoutchouc, et est approprié pour des coupes droites et curvilignes avec des angles d'onglet jusqu'à 45°
- Cet outil n'est conçu pour un usage professionnel
- Lisez et conservez ce manuel d'instruction ③

CARACTERISTIQUES TECHNIQUES ①

ELEMENTS DE L'OUTIL ②

- A Etiquette d'avertissement ⑥
- B Interrupteur de marche/arrêt et réglage de vitesse
- C Bouton de blocage de l'interrupteur
- D Molette de réglage de la vitesse de sciage
- E Axe pour aspirateur
- F Levier de sélection de mode de coupe
- G Interrupteur marche/arrêt laser
- H Fentes de ventilation
- J Guide parallèle
- K Système-Clic pour changer des lames de scie
- L Rangement pour la clé

SECURITE

AVERTISSEMENTS DE SECURITE GENERAUX POUR L'OUTIL ELECTRIQUE

AVERTISSEMENT Lisez tous les avertissements de sécurité, les instructions, les illustrations et les spécifications fournis avec cet outil électrique. Ne pas suivre les instructions énumérées ci-dessous peut provoquer un choc électrique, un incendie et/ou une blessure sérieuse.

Conservez tous les avertissements et toutes les instructions pour pouvoir s'y reporter ultérieurement.

Le terme "outil électrique" dans les avertissements se rapporte à des outils électriques raccordés au secteur (avec câble de raccordement) et à des outils électriques à batterie (sans câble de raccordement).

1) SECURITE DE LA ZONE DE TRAVAIL

- a) **Maintenez l'endroit de travail propre et bien éclairé.**
Un lieu de travail en désordre ou mal éclairé augmente le risque d'accidents.

- b) **N'utilisez pas l'outil électrique dans un environnement présentant des risques d'explosion et où se trouvent des liquides, des gaz ou poussières inflammables.** Les outils électriques génèrent des étincelles risquant d'enflammer les poussières ou les vapeurs.
- c) **Tenez les enfants et autres personnes éloignés durant l'utilisation de l'outil électrique.** En cas d'inattention vous risquez de perdre le contrôle sur l'outil électrique.

2) SECURITE RELATIVE AU SYSTEME ELECTRIQUE

- a) **La fiche de secteur de l'outil électrique doit être appropriée à la prise de courant. Ne modifiez en aucun cas la fiche. N'utilisez pas de fiches d'adaptateur avec des outils électriques avec mise à la terre.** Les fiches non modifiées et les prises de courant appropriées réduisent le risque de choc électrique.
- b) **Évitez le contact physique avec des surfaces mises à la terre telles que tuyaux, radiateurs, fours et réfrigérateurs.** Il y a un risque élevé de choc électrique au cas où votre corps serait relié à la terre.
- c) **N'exposez pas l'outil électrique à la pluie ou à l'humidité.** La pénétration d'eau dans un outil électrique augmente le risque d'un choc électrique.
- d) **N'utilisez pas le câble à d'autres fins que celles prévues, n'utilisez pas le câble pour porter l'outil électrique ou pour l'accrocher ou encore pour le débrancher de la prise de courant. Maintenez le câble éloigné des sources de chaleur, des parties grasses, des bords tranchants ou des parties de l'outil électrique en rotation.** Un câble endommagé ou torsadé augmente le risque d'un choc électrique.
- e) **Au cas où vous utiliseriez l'outil électrique à l'extérieur, utilisez une rallonge autorisée homologuée pour les applications extérieures.**
L'utilisation d'une rallonge électrique homologuée pour les applications extérieures réduit le risque d'un choc électrique.
- f) **Si l'usage d'un outil dans un emplacement humide est inévitable, utilisez un disjoncteur de fuite à la terre.** L'utilisation d'un disjoncteur de fuite à la terre réduit le risque de choc électrique.

3) SECURITE DES PERSONNES

- a) **Restez vigilant, surveillez ce que vous faites. Faites preuve de bon sens en utilisant l'outil électrique. N'utilisez pas l'outil électrique lorsque vous êtes fatigué ou après avoir consommé de l'alcool, des drogues ou avoir pris des médicaments.** Un moment d'inattention lors de l'utilisation de l'outil électrique peut entraîner de graves blessures sur les personnes.
- b) **Portez des équipements de protection. Portez toujours des lunettes de protection.** Le fait de porter des équipements de protection personnels tels que masque anti-poussières, chaussures de sécurité antidérapantes, casque de protection ou protection acoustique suivant le travail à effectuer, réduit le risque de blessures.
- c) **Évitez tout démarrage intempestif. S'assurez que l'interrupteur est en position arrêt avant de brancher l'outil au secteur et/ou au bloc de batteries, de le ramasser ou de le porter.** Porter les outils en ayant le

doigt sur l'interrupteur ou brancher des outils dont l'interrupteur est en position marche est source d'accidents.

- d) **Enlevez tout outil de réglage ou toute clé avant de mettre l'outil électrique en fonctionnement.** Une clé ou un outil se trouvant sur une partie en rotation peut causer des blessures.
 - e) **Ne surestimez pas vos capacités. Veillez à garder toujours une position stable et équilibrée.** Ceci vous permet de mieux contrôler l'outil électrique dans des situations inattendues.
 - f) **Portez des vêtements appropriés. Ne portez pas de vêtements amples ni de bijoux. Gardez les cheveux et les vêtements à distance des parties en mouvement.** Des vêtements amples, des bijoux ou des cheveux longs peuvent être happés par des pièces en mouvement.
 - g) **Si des dispositifs servant à aspirer ou à recueillir les poussières doivent être utilisés, vérifiez que ceux-ci soient effectivement raccordés et qu'ils sont correctement utilisés.** L'utilisation des collecteurs de poussière réduit les dangers dus aux poussières.
 - h) **Restez vigilant et ne pas négligez les principes de sécurité de l'outil sous prétexte que vous avez l'habitude de l'utiliser.** Une fraction de seconde d'inattention peut provoquer une blessure grave.
- #### 4) UTILISATION ET EMPLOI SOIGNEUX DE L'OUTIL ELECTRIQUE
- a) **Ne surchargez pas l'outil électrique. Utilisez l'outil électrique approprié au travail à effectuer.** Avec l'outil électrique approprié, vous travaillerez mieux et avec plus de sécurité à la vitesse pour laquelle il est prévu.
 - b) **N'utilisez pas un outil électrique dont l'interrupteur est défectueux.** Un outil électrique qui ne peut plus être mis en ou hors fonctionnement est dangereux et doit être réparé.
 - c) **Débranchez la fiche de la source d'alimentation et/ou enlevez le bloc de batteries, s'il est amovible, avant tout réglage, changement d'accessoires ou avant de ranger l'outil électrique.** De telles mesures de sécurité préventives réduisent le risque de démarrage accidentel de l'outil électrique.
 - d) **Gardez les outils électriques non utilisés hors de portée des enfants. Ne permettez pas l'utilisation de l'outil électrique à des personnes qui ne se sont pas familiarisées avec celui-ci ou qui n'ont pas lu ces instructions.** Les outils électriques sont dangereux lorsqu'ils sont utilisés par des personnes non initiées.
 - e) **Observez la maintenance des outils électriques et des accessoires. Vérifiez que les parties en mouvement fonctionnent correctement et qu'elles ne soient pas coincées, et contrôlez si des parties sont cassées ou endommagées de telle sorte que le bon fonctionnement de l'outil électrique s'en trouve entravé. Faites réparer les parties endommagées avant d'utiliser l'outil électrique.** De nombreux accidents sont dus à des outils électriques mal entretenus.
 - f) **Maintenez les outils de coupe aiguisés et propres.** Des outils soigneusement entretenus avec des bords tranchants bien aiguisés se coincent moins souvent et peuvent être guidés plus facilement.

- g) **Utilisez l'outil électrique, les accessoires, les outils à monter etc. conformément à ces instructions. Tenez compte également des conditions de travail et du travail à effectuer.** L'utilisation de l'outil électrique à d'autres fins que celles prévues peut entraîner des situations dangereuses.
- h) **Il faut que les poignées et les surfaces de préhension restent sèches, propres et dépourvues d'huiles et de graisses.** Des poignées et des surfaces de préhension glissantes rendent impossibles la manipulation et le contrôle en toute sécurité de l'outil dans les situations inattendues.

5) SERVICE

- a) **Ne faites réparer votre outil électrique que par un personnel qualifié et seulement avec des pièces de rechange d'origine.** Ceci permet d'assurer la sécurité de l'outil électrique.

INSTRUCTIONS DE SECURITE POUR SCIES SAUTEUSES

GENERALITES

- Contrôlez toujours si la tension secteur correspond à la tension indiquée sur la plaquette signalétique de l'outil (les outils conçus pour une tension de 230V ou 240V peuvent également être branchés sur 220V)
 - Contrôlez le fonctionnement de l'outil avant chaque manipulation et, en cas d'anomalies, faites réparer immédiatement par une personne qualifiée; ne jamais ouvrez l'outil soi-même
 - **Ne travaillez pas de matériaux contenant de l'amiante** (l'amiante est considérée comme étant cancérigène)
 - Cet outil ne doit pas être utilisé par des personnes de moins de 16 ans
 - Le niveau sonore en fonctionnement peut dépasser 85 dB(A); munissez-vous de casques anti-bruit
 - Portez des lunettes protectrices lors de travaux sur des pièces productrices de copeaux
 - La poussière de matériaux, tels que la peinture contenant du plomb, certaines espèces de bois, certains minéraux et différents métaux, peut être nocive (le contact avec la poussière ou son inhalation peut provoquer des réactions allergiques et/ou des maladies respiratoires chez l'opérateur ou des personnes se trouvant à proximité); **portez un masque antipoussières et travaillez avec un appareil de dépolluissage lorsqu'il est possible d'en connecter un**
 - Certains types de poussières sont classifiés comme étant cancérigènes (tels que la poussière de chêne ou de hêtre), en particulier en combinaison avec des additifs de traitement du bois; **portez un masque antipoussières et travaillez avec un appareil de dépolluissage lorsqu'il est possible d'en connecter un**
 - Suivez les directives nationales relatives au dépolluissage pour les matériaux à travailler
 - Utilisez un câble de prolongement complètement déroulé et de bonne qualité d'une capacité de 16 A
 - **Débranchez toujours l'outil avant tout réglage ou changement d'accessoire**
- #### AVANT L'USAGE
- Enlevez tout corps étranger du tracé avant d'effectuer toute coupe

- Faites attention aux vis, clous ou autres éléments qui pourraient se trouver dans la pièce à travailler et qui risqueraient d'endommager très fortement votre outil; enlevez-les avant de commencer le travail
- Utilisez des pinces ou tout autre système pratique pour fixer et soutenir la pièce à travailler sur une surface stable** (si vous la tenez dans la main ou contre le corps, elle peut devenir instable et risquer de vous échapper)

PENDANT L'USAGE

- Tenez l'outil par les surfaces de préhension isolées, lors de la réalisation d'une opération au cours de laquelle l'accessoire de coupe peut entrer en contact avec un câblage non apparent ou son propre câble d'alimentation** (le contact avec un fil sous tension peut également mettre sous tension les parties métalliques de l'outil électrique et provoquer un choc électrique sur l'opérateur)
- Quand l'outil branché à la prise n'est pas utilisé, la poignée de l'outil peut s'échauffer; cette situation est tout à fait normale et n'indique pas un problème**
- Tenez toujours le câble éloigné des parties mobiles de l'outil; orientez le câble vers l'arrière le plus loin possible de l'outil
- Si le câble est endommagé ou rompu pendant le travail, n'y touchez pas, mais débranchez immédiatement la prise
- N'utilisez jamais d'outil avec un câble endommagé; faites-le remplacer par un technicien qualifié
- En cas de dysfonctionnement électrique ou mécanique, mettez directement l'outil hors service et débranchez la fiche
- Évitez de laisser les mains près de la lame de scie lorsque l'outil est en marche

ACCESSOIRES

- SKIL ne peut se porter garant du bon fonctionnement de cet outil que s'il a été utilisé avec les accessoires d'origine
- Ne pas utiliser une lame fendue, déformée ou émoussée

UTILISATION A L'EXTERIEUR

- En cas d'usage à l'extérieur, branchez l'outil par l'intermédiaire d'un coupe-circuit (FI) avec courant de réaction de 30 mA au maximum, et utilisez uniquement un câble de prolongement spécial pour l'extérieur équipé d'une prise résistant aux éclaboussures

APRES L'USAGE

- Lorsque vous rangez votre outil, le moteur doit être coupé et les pièces mobiles complètement arrêtées

RAYONNEMENT LASER

- Ne dirigez pas le rayon laser vers des personnes ou des animaux**
- Ne projetez pas le rayon laser dans vos yeux (rayonnement laser)**
- N'utilisez pas d'outils optiques grossissants (loupes, télescopes ou jumelles) pour voir le rayon laser
- N'utilisez pas cet outil en la présence de liquides inflammables, de gaz ou de poussière
- N'utilisez pas cet outil en la présence d'enfants

EXPLICATION DES SYMBOLES SUR L'OUTIL

③ Veuillez lire le mode d'emploi avant d'utiliser l'outil

④ Double-isolation (ne nécessite pas de mise à la terre)

⑤ Ne jetez pas l'outil dans les ordures ménagères

⑥ **Rayonnement laser / Ne projetez pas le rayon dans vos yeux / Produit laser de catégorie 2**

UTILISATION

- Marche/arrêt ⑦
- Réglage de la vitesse pour démarrage doux ⑧
- Blocage de l'interrupteur pour marche continue ⑨
- Changement des lames de scie ⑩
- ! insérez la lame à fond, les dents vers l'avant ⑪**
- ! utilisez uniquement les lames avec queue en T**
- Sciage à 15°/30°/45° ⑫
- Réglage de la vitesse de sciage en fonction du matériel à utiliser ⑬
- ! si l'outil ne marche pas avec la molette D en position 1, sélectionnez une vitesse de sciage plus élevée et ensuite une vitesse plus basse pendant que l'outil marche**
- Aspiration de poussières ⑭
 - montez l'aspirateur sur l'axe E
 - ! ne pas utiliser l'aspirateur quand vous coupez des métaux**
- Sélection du mode de coupe ⑮

Utilisez le levier F ② pour régler le mouvement orbital allant d'une coupe précise (= 0) à une coupe rapide (= III)

 - 1 position ("0") pour une coupe précise dans tous matériaux, droite + curviligne
 - 3 positions pour une coupe rapide dans des matériaux différents, seulement droite
 - I = métal
 - II = plastique
 - III = bois dur

! toujours sélectionnez "0" quand vous coupez des matériaux susceptibles voler en éclats
- Ligne laser ⑯
 - pour guider l'outil le long du tracé souhaité
 - mettez en marche/arrêtez la ligne laser en poussant l'interrupteur G
 - avant de commencer à travailler, vérifiez l'alignement de la ligne laser par rapport à la ligne de coupe réelle en effectuant un essai de coupe
 - ! ne tentez pas de régler la ligne laser avec la vis X; le réglage de cette vis a été prédéfini en usine**
 - ! veillez à ne pas enlever l'étiquette d'avertissement A ② ni à l'endommager**
- Utilisation de l'outil
 - avant de mettre l'outil en marche, toujours s'assurez que le devant de la semelle soit bien à plat sur la pièce à travailler
 - tenez l'outil fermement dans les deux mains pour obtenir pleinement le contrôle de celui-ci
 - ! lorsque vous travaillez, tenez toujours l'outil par la(les) zone(s) de couleur grise ⑰**
 - s'assurez que toute la surface de la semelle repose bien sur la pièce à travailler
 - ! avant de retirer l'outil de la pièce à travailler, s'assurez que la lame se soit bien stabilisée**
 - veillez à ce que les fentes de ventilation H ② soient découvertes

CONSEILS D'UTILISATION

- Utilisez les lames de scie appropriées ⑱
- ! utilisez uniquement les lames avec queue en T**
- Quand vous coupez des métaux, lubrifiez régulièrement la lame de scie de lubrifiant

- Utilisez le guide parallèle J pour effectuer des coupes rectilignes ⑩
- Pour effectuer une coupe droite précise, guidez l'outil avec la plaque de base le long du côté d'un morceau de bois rectiligne ⑳
- Faites un avant-trou avant d'effectuer des découpes ㉑
- Couper sans éclats
 - couvrez la ligne de coupe des plusieurs couches d'un large ruban adhésif avant d'effectuer la coupe
 - toujours inversez la partie visible de la pièce à travailler
- Pour des suggestions complémentaires voyez www.skil.com

ENTRETIEN / SERVICE APRES-VENTE

- Cet outil n'est pas conçu pour un usage professionnel
- Gardez toujours votre outil et le câble propres (spécialement les aérations H ㉒)
- ! **débranchez la fiche avant le nettoyage**
- Si, malgré tous les soins apportés à la fabrication et au contrôle de l'outil, celui ci devait avoir un défaut, la réparation ne doit être confiée qu'à une station de service après-vente agréée pour outillage SKIL
 - retournez l'outil **non démonté** avec votre preuve d'achat au revendeur ou au centre de service après-vente SKIL le plus proche (les adresses ainsi que la vue éclatée de l'outil figurent sur www.skil.com)

ENVIRONNEMENT

- **Ne jetez pas les outils électriques, les accessoires et l'emballage dans les ordures ménagères** (pour les pays européens uniquement)
 - conformément à la directive européenne 2012/19/EG relative aux déchets d'équipements électriques ou électroniques, et à sa transposition dans la législation nationale, les outils électriques usés doivent être collectés séparément et faire l'objet d'un recyclage respectueux de l'environnement
 - le symbole ⑤ vous le rappellera au moment de la mise au rebut de l'outil



BRUIT / VIBRATION

- Mesuré selon EN 62841 le niveau de la pression sonore de cet outil est 88 dB(A) et le niveau de la puissance sonore 99 dB(A) (déviation standard: 3 dB), et la vibration
 - * (somme vectorielle des trois axes directionnels; incertitude K = 1,5 m/s²)
 - * pendant le coupage du bois 6,7 m/s²
 - * pendant le coupage du métal 11,4 m/s²
- Le niveau de vibrations émises a été mesuré conformément à l'essai normalisé de la norme EN 62841; il peut être utilisé pour comparer plusieurs outils et pour réaliser une évaluation préliminaire de l'exposition aux vibrations lors de l'utilisation de l'outil pour les applications mentionnées
 - l'utilisation de l'outil dans d'autres applications, ou avec des accessoires différents ou mal entretenus,

peut considérablement **augmenter** le niveau d'exposition

- la mise hors tension de l'outil et sa non-utilisation pendant qu'il est allumé peuvent considérablement **réduire** le niveau d'exposition

! **protégez-vous contre les effets des vibrations par un entretien correct de l'outil et de ses accessoires, en gardant vos mains chaudes et en structurant vos schémas de travail**

D

Stichsäge

1061

EINLEITUNG

- Dieses Werkzeug ist bestimmt Trennschnitte und Ausschnitte in Holz, Kunststoff, Metall, Keramikplatten und Gummi auszuführen, und ist geeignet für gerade und kurvige Schnitte mit Gehrungswinkel bis 45°
- Dieses Werkzeug eignet sich nicht für den professionellen Einsatz
- Bitte diese Bedienungsanleitung sorgfältig lesen und aufbewahren ③

TECHNISCHE DATEN ①

WERKZEUGKOMPONENTEN ②

- A Warnhinweisschild ⑥
- B Schalter zum Ein-Aus-Schalten und zur Drehzahlregelung
- C Knopf zum Feststellen des Schalters
- D Rad zur Hubzahlregelung
- E Anbau für Staubsauger
- F Hebel zum Wählen des Sägemodus
- G Ein/Aus-Schalter Laser
- H Lüftungsschlitze
- J Seitenanschlag
- K Clic-System für Sägeblattwechsel
- L Halterung für Schlüssel

SICHERHEIT

ALLGEMEINE SICHERHEITSHINWEISE FÜR ELEKTROWERKZEUGE

⚠️ WARNUNG Lesen Sie alle Sicherheitshinweise, Anweisungen, Gebildungen und technischen Daten, mit denen dieses Elektrowerkzeug versehen ist.

Versäumnisse bei der Einhaltung der nachfolgenden Anweisungen können elektrischen Schlag, Brand und/oder schwere Verletzungen verursachen.

Bewahren Sie alle Sicherheitshinweise und Anweisungen für die Zukunft auf.

Der in den Sicherheitshinweisen verwendete Begriff "Elektrowerkzeug" bezieht sich auf netzbetriebene Elektrowerkzeuge (mit Netzkabel) und auf akkubetriebene Elektrowerkzeuge (ohne Netzkabel).

1) ARBEITSPLATZSICHERHEIT

- a) **Halten Sie Ihren Arbeitsbereich sauber und gut beleuchtet.** Unordnung oder unbeleuchtete Arbeitsbereiche können zu Unfällen führen.
- b) **Arbeiten Sie mit dem Elektrowerkzeug nicht in explosionsgefährdeter Umgebung, in der sich brennbare Flüssigkeiten, Gase oder Stäube befinden.** Elektrowerkzeuge erzeugen Funken, die den Staub oder die Dämpfe entzünden können.
- c) **Halten Sie Kinder und andere Personen während der Benutzung des Elektrowerkzeuges fern.** Bei Ablenkung können Sie die Kontrolle über das Elektrowerkzeug verlieren.

2) ELEKTRISCHE SICHERHEIT

- a) **Der Anschlussstecker des Elektrowerkzeuges muss in die Steckdose passen. Der Stecker darf in keiner Weise verändert werden. Verwenden Sie keine Adapterstecker gemeinsam mit schutzgeerdeten Elektrowerkzeugen.** Unveränderte Stecker und passende Steckdosen verringern das Risiko eines elektrischen Schlages.
- b) **Vermeiden Sie Körperkontakt mit geerdeten Oberflächen, wie von Rohren, Heizungen, Herden und Kühlschränken.** Es besteht ein erhöhtes Risiko durch elektrischen Schlag, wenn Ihr Körper geerdet ist.
- c) **Halten Sie das Elektrowerkzeug von Regen oder Nässe fern.** Das Eindringen von Wasser in ein Elektrogerät erhöht das Risiko eines elektrischen Schlages.
- d) **Zweckentfremden Sie das Kabel nicht, um das Elektrowerkzeug zu tragen, aufzuhängen oder um den Stecker aus der Steckdose zu ziehen. Halten Sie das Kabel fern von Hitze, Öl, scharfen Kanten oder sich bewegenden Elektrowerkzeugteilen.** Beschädigte oder verwickelte Kabel erhöhen das Risiko eines elektrischen Schlages.
- e) **Wenn Sie mit einem Elektrowerkzeug im Freien arbeiten, verwenden Sie nur Verlängerungskabel, die auch für den Außenbereich zugelassen sind.** Die Anwendung eines für den Außenbereich geeigneten Verlängerungskabels verringert das Risiko eines elektrischen Schlages.
- f) **Wenn der Betrieb des Elektrowerkzeuges in feuchter Umgebung nicht vermeidbar ist, verwenden Sie einen Fehlerstromschutzschalter.** Der Einsatz eines Fehlerstromschutzschalters vermindert das Risiko eines elektrischen Schlages.

3) SICHERHEIT VON PERSONEN

- a) **Seien Sie aufmerksam, achten Sie darauf, was Sie tun, und gehen Sie mit Vernunft an die Arbeit mit einem Elektrowerkzeug. Benutzen Sie das Elektrowerkzeug nicht, wenn Sie müde sind oder unter dem Einfluss von Drogen, Alkohol oder Medikamenten stehen.** Ein Moment der Unachtsamkeit beim Gebrauch des Elektrowerkzeuges kann zu ernsthaften Verletzungen führen.
- b) **Tragen Sie persönliche Schutzausrüstung und immer eine Schutzbrille.** Das Tragen persönlicher Schutzausrüstung, wie Staubmaske, rutschfeste Sicherheitsschuhe, Schutzhelm oder Gehörschutz, je nach Art und Einsatz des Elektrowerkzeuges, verringert das Risiko von Verletzungen.

- c) **Vermeiden Sie eine unbeabsichtigte Inbetriebnahme. Vergewissern Sie sich, dass das Elektrowerkzeug ausgeschaltet ist, bevor Sie es an die Stromversorgung und/oder den Akku anschließen, es aufnehmen oder tragen.** Wenn Sie beim Tragen des Elektrowerkzeuges den Finger am Schalter haben oder das Elektrowerkzeug eingeschaltet an die Stromversorgung anschließen, kann dies zu Unfällen führen.
 - d) **Entfernen Sie Einstellwerkzeuge oder Schraubenschlüssel, bevor Sie das Elektrowerkzeug einschalten.** Ein Werkzeug oder Schlüssel, der sich in einem drehenden Elektrowerkzeugeteil befindet, kann zu Verletzungen führen.
 - e) **Überschätzen Sie sich nicht. Sorgen Sie für einen sicheren Stand und halten Sie jederzeit das Gleichgewicht.** Dadurch können Sie das Elektrowerkzeug in unerwarteten Situationen besser kontrollieren.
 - f) **Tragen Sie geeignete Kleidung. Tragen Sie keine weite Kleidung oder Schmuck. Halten Sie Haare und Kleidung fern von sich bewegenden Teilen.** Lockere Kleidung, Schmuck oder lange Haare können von sich bewegenden Teilen erfasst werden.
 - g) **Wenn Staubabsaug- und -auffangeinrichtungen montiert werden können, vergewissern Sie sich, dass diese angeschlossen sind und richtig verwendet werden.** Verwendung einer Staubabsaugung verringert Gefährdungen durch Staub.
 - h) **Wiegen Sie sich nicht in falscher Sicherheit und setzen Sie sich nicht über die Sicherheitsregeln für Elektrowerkzeuge hinweg, auch wenn Sie nach vielfachem Gebrauch mit dem Elektrowerkzeug vertraut sind.** Achtloses Handeln kann binnen Sekundenbruchteilen zu schweren Verletzungen führen.
- ### 4) SORGFÄLTIGER UMGANG UND GEBRAUCH VON ELEKTROWERKZEUGEN
- a) **Überlasten Sie das Elektrowerkzeug nicht. Verwenden Sie für Ihre Arbeit das dafür bestimmte Elektrowerkzeug.** Mit dem passenden Elektrowerkzeug arbeiten Sie besser und sicherer im angegebenen Leistungsbereich.
 - b) **Benutzen Sie kein Elektrowerkzeug, dessen Schalter defekt ist.** Ein Elektrowerkzeug, das sich nicht mehr ein- oder ausschalten lässt, ist gefährlich und muss repariert werden.
 - c) **Ziehen Sie den Stecker aus der Steckdose und/oder entfernen Sie einen abnehmbaren Akku, bevor Sie Geräteeinstellungen vornehmen, Zubehörteile wechseln oder das Elektrowerkzeug weglegen.** Diese Vorsichtsmaßnahme verhindert den unbeabsichtigten Start des Elektrowerkzeuges.
 - d) **Bewahren Sie unbenutzte Elektrowerkzeuge außerhalb der Reichweite von Kindern auf. Lassen Sie Personen das Elektrowerkzeug nicht benutzen, die mit diesem nicht vertraut sind oder diese Anweisungen nicht gelesen haben.** Elektrowerkzeuge sind gefährlich, wenn Sie von unerfahrenen Personen benutzt werden.
 - e) **Pflegen Sie Elektrowerkzeuge und Zubehör mit Sorgfalt. Kontrollieren Sie, ob bewegliche**

Elektrowerkzeugeteile einwandfrei funktionieren und nicht klemmen, ob Teile gebrochen oder so beschädigt sind, dass die Funktion des Elektrowerkzeuges beeinträchtigt ist. Lassen Sie beschädigte Teile vor dem Einsatz des Elektrowerkzeuges reparieren. Viele Unfälle haben ihre Ursache in schlecht gewarteten Elektrowerkzeugen.

- f) **Halten Sie Schneidwerkzeuge scharf und sauber.** Sorgfältig gepflegte Schneidwerkzeuge mit scharfen Schneidkanten verklemmen sich weniger und sind leichter zu führen.
- g) **Verwenden Sie Elektrowerkzeug, Zubehör, Einsatzwerkzeuge usw. entsprechend diesen Anweisungen. Berücksichtigen Sie dabei die Arbeitsbedingungen und die auszuführende Tätigkeit.** Der Gebrauch von Elektrowerkzeugen für andere als die vorgesehenen Anwendungen kann zu gefährlichen Situationen führen.
- h) **Halten Sie Griffe und Griffflächen trocken, sauber und frei von Öl und Fett.** Rutschige Griffe und Griffflächen erlauben keine sichere Bedienung und Kontrolle des Elektrowerkzeuges in unvorhergesehenen Situationen.
- 5) **SERVICE**
- a) **Lassen Sie Ihr Elektrowerkzeug nur von qualifiziertem Fachpersonal und nur mit Original-Ersatzteilen reparieren.** Damit wird sichergestellt, dass die Sicherheit des Elektrowerkzeuges erhalten bleibt.

SICHERHEITSHINWEISE FÜR STICHSÄGEN

ALLGEMEINES

- Stets nachprüfen, daß die Netzspannung mit der auf dem Typenschild des Werkzeuges angegebenen Spannung übereinstimmt (mit 230V oder 240V beschriftete Werkzeuge können auch an 220V betrieben werden)
- Die Funktion des Werkzeuges vor jeder Anwendung prüfen und es bei einem Defekt sofort von einer qualifizierten Person reparieren lassen; das Werkzeug niemals selbst öffnen
- **Bearbeiten Sie kein asbesthaltiges Material** (Asbest gilt als krebserregend)
- Der Benutzer dieses Werkzeuges sollte älter als 16 Jahre sein
- Der Geräuschpegel beim Arbeiten kann 85 dB(A) überschreiten; Gehörschutz tragen
- Beim Bearbeiten spannerzeugender Materialien Schutzbrille tragen
- Staub von Materialien wie Farbe, die Blei enthält, einigen Holzarten, Mineralien und Metall kann schädlich sein (Kontakt mit oder Einatmen des Staubs kann zu allergischen Reaktionen und/oder Atemwegskrankheiten beim Bediener oder Umstehenden führen); **tragen Sie eine Staubmaske und arbeiten Sie mit einem Staubabsaugungssystem, wenn ein solches angeschlossen werden kann**
- Bestimmte Arten von Staub sind als karzinogen klassifiziert (beispielsweise Eichen- und Buchenholzstaub), insbesondere in Verbindung mit Zusätzen für die Holzvorbehandlung; **tragen Sie eine Staubmaske und arbeiten Sie mit einem Staubabsaugungssystem, wenn ein solches angeschlossen werden kann**

- Beachten Sie die für Ihr verwendetes Verbrauchsmaterial gültigen nationalen Staubschutzvorgaben
- Bei Benutzung von Verlängerungskabeln ist darauf zu achten, daß das Kabel vollständig abgerollt ist und eine Kapazität von 16 A hat
- **Ziehen Sie grundsätzlich den Netzstecker, bevor Sie beliebige Änderungen an den Einstellungen oder einen Zubehörwechsel vornehmen**

VOR DER ANWENDUNG

- Bevor Sie mit dem Schnitt beginnen, alle Hindernisse von der Ober- wie auch von der Unterfläche entfernen, die auf der Schnittstrecke liegen
- Beschädigungen durch Schrauben, Nägel und ähnliches an Ihrem Werkstück vermeiden; diese vor Arbeitsbeginn entfernen
- **Verwenden Sie Klemmen oder andere praktische Vorrichtungen, um das Werkstück an einer stabilen Plattform zu sichern und zu befestigen** (wenn das Werkstück in der Hand oder gegen den Körper gehalten wird, ist es nicht stabil und man kann die Kontrolle verlieren)

WÄHREND DER ANWENDUNG

- **Halten Sie das Elektrowerkzeug an den isolierten Griffflächen, wenn Sie Arbeiten ausführen, bei denen das Einsatzwerkzeug verborgene Stromleitungen oder das eigene Netzkabel treffen kann** (der Kontakt mit einer spannungsführenden Leitung kann auch Metallteile des Elektrowerkzeuges unter Spannung setzen und zu einem elektrischen Schlag führen)
- **Bei dem an die Steckdose angeschlossen und nicht eingeschalteten Werkzeug kann sich der Handgriff erwärmen; dies ist normal und kein Anzeichen eines Problems**
- Das Kabel immer von umlaufenden Teilen des Werkzeuges fernhalten; das Kabel nach hinten vom Werkzeug weg führen
- Wird bei der Arbeit das Kabel beschädigt oder durchtrennt, Kabel nicht berühren, sondern sofort den Netzstecker ziehen
- Werkzeug nicht weiter verwenden, wenn das Kabel beschädigt ist; lassen Sie dieses von einem anerkannten Elektrofachmann ersetzen
- Bei elektrischer oder mechanischer Fehlfunktion das Werkzeug sofort ausschalten und den Netzstecker ziehen
- Halten Sie Hände von dem Sägeblatt fern, wenn das Werkzeug eingeschaltet ist

ZUBEHÖR

- SKIL kann nur dann die einwandfreie Funktion des Werkzeuges zusichern, wenn Original-Zubehör verwendet wird
- Risse oder stumpfe Sägeblätter, oder solche, die ihre Form verändert haben, dürfen nicht verwendet werden

ANWENDUNG IM FREIEN

- Bei Anwendung im Freien das Werkzeug über einen Fehlerstrom- (FI) Schutzschalter mit einem Auslösestrom von 30 mA max. anschließen, und nur ein Verlängerungskabel benutzen, das für die Anwendung im Freien vorgesehen und mit einer spritzwassergeschützten Anschlußstelle versehen ist

NACH DER ANWENDUNG

- Sobald Sie sich von Ihrem Werkzeug entfernen, sollte dieses ausgeschaltet werden und die sich bewegenden Teile vollkommen zum Stillstand gekommen sein

LASERSTRAHLUNG

- **Den Laserstrahl nicht auf Menschen oder Tiere richten**
- **Nicht in den Laserstrahl blicken (Laserstrahlung)**
- Keine vergrößernden optischen Geräte (z.B. Vergrößerungsgläser, Teleskope oder Ferngläser) zum Betrachten des Laserstrahls benutzen
- Das Gerät nicht in der Gegenwart von entzündlichen Flüssigkeiten, Gasen oder Stäuben benutzen
- Das Gerät nicht benutzen, wenn sich Kinder in seiner Nähe befinden

ERKLÄRUNG DER SYMBOLE AUF DEM WERKZEUG

- ③ Die Bedienungsanleitung vor dem Gebrauch lesen
- ④ Doppelte Isolierung (kein Erdleiter erforderlich)
- ⑤ Das Werkzeug nicht in den Hausmüll werfen
- ⑥ **Laserstrahlung / Nicht in den Strahl blicken / Laserprodukt Klasse 2**

BEDIENUNG

- Ein-/Aus-Schalten ⑦
- Drehzahlregulierung für Sanftanlauf ⑧
- Arretierung des Schalters für Dauerlauf ⑨
- Sägeblattwechsel ⑩
- ! **Sägeblatt mit den Sägezähnen nach vorne gerichtet in voller Tiefe einspannen ⑪**
- ! **nur Sägeblätter mit T-Schaft verwenden**
- Sägen bei 15°/30°/45° ⑫
- Hubzahl je nach Material anpassen ⑬
- ! **wenn das Werkzeug nicht mit Rad D in Position 1 läuft, eine höhere Hubzahl wählen und die Hubzahl bei laufendem Werkzeug verringern**
- Staubsabsaugung ⑭
 - Staubsaugerschlauch auf Anbau E stecken
 - ! **Staubsauger nicht verwenden beim Sägen von Metall**
- Auswählen des Sägemodus ⑮
 - Wählen Sie mit Hebel F ② die Einstellung der Pendelbewegung des Sägeblattes (von Position "0" für präzises Sägen bis Position "III" für schnelles Sägen)
 - 1 Position ("0") für präzises Sägen aller Materialien, gerade + Kurven-Schnitte
 - 3 Positionen für schnelles Sägen unterschiedlicher Materialien, nur gerade Schnitte
 - I = Metall
 - II = Kunststoff
 - III = Hartholz
- ! **beim Sägen von splitterempfindliches Material immer "0" wählen**
- Laserlinie ⑯
 - für die präzise Führung des Werkzeuges die auf dem Werkstück gezogene Schnittlinie entlang
 - schalten Sie Laserlinie ein/aus durch Druck auf Schalter G
 - vor dem Beginn der Arbeiten, die Ausrichtung der Laserlinie kontrollieren mit der tatsächlichen Schnittlinie durch die Durchführung eines Probesschnitts an einem Abfallstück

- ! **versuchen Sie nicht, die Laserlinie mit Schraube X nachzustellen; dies ist ab Werk voreingestellt**
- ! **Warnhinweisschild A ② nicht entfernen oder beschädigen**

- Bedienung des Werkzeuges
 - vor dem Einschalten des Werkzeuges muß die Vorderseite der Fußplatte flach auf dem Werkstück aufliegen
 - das Werkzeug immer fest mit beiden Händen halten um es stets unter Kontrolle zu haben
- ! **Werkzeug beim Arbeiten immer am grauen Griffbereich fassen ⑰**
- stellen Sie sicher, daß die Fußplatte auf ganzer Fläche sicher aufliegt
- ! **stellen Sie sicher, daß das Blatt vollkommen zum Stillstand gekommen ist, bevor Sie das Werkzeug vom Werkstück entfernen**
- Lüftungsschlitze H ② unbedeckt halten

ANWENDUNGSHINWEISE

- Die entsprechenden Sägeblätter verwenden ⑱
- ! **nur Sägeblätter mit T-Schaft verwenden**
- Beim Sägen von Metall Sägeblatt regelmässig mit Öl einfeilen
- Zum Anfertigen von Parallelschnitte Seitenanschlag J benutzen ⑲
- Für präzisen Schnittverlauf das Werkzeug mit der Bodenplatte entlang der Kante eines geraden Holzstückes führen ⑳
- Bevor Sie Ausschnitte ausführen, ein Loch vorbohren ㉑
- Splitterfreies Sägen
 - die Schnittlinie mit mehreren Schichten breiten Kleband bedecken vor Arbeitsbeginn
 - die Oberfläche des Werkstücks grundsätzlich nach unten zeigend auflegen
- Für mehr Tips siehe www.skil.com

WARTUNG / SERVICE

- Dieses Werkzeug eignet sich nicht für den professionellen Einsatz
- Halten Sie Werkzeug und Kabel immer sauber (insbesondere die Lüftungsschlitze H ②)
- ! **Netzstecker vor dem Säubern ziehen**
- Sollte das Elektrowerkzeug trotz sorgfältiger Herstellungs- und Prüfverfahren einmal ausfallen, ist die Reparatur von einer autorisierten Kundendienststelle für SKIL-Elektrowerkzeuge ausführen zu lassen
 - das Werkzeug **unzerlegt**, zusammen mit dem Kaufbeleg, an den Lieferer oder die nächste SKIL-Vertragswerkstätte senden (die Anschriften so wie die Ersatzteilzeichnung des Werkzeuges finden Sie unter www.skil.com)

UMWELT

- **Elektrowerkzeuge, Zubehör und Verpackungen nicht in den Hausmüll werfen** (nur für EU-Länder)
 - gemäss Europäischer Richtlinie 2012/19/EG über Elektro- und Elektronik- Altgeräte und Umsetzung in nationales Recht müssen nicht mehr gebrauchsfähige

Elektrowerkzeuge getrennt gesammelt und einer umweltgerechten Wiederverwertung zugeführt werden
- hieran soll Sie Symbol ⑤ erinnern

GERÄUSCH / VIBRATION

- Gemessen gemäß EN 62841 beträgt der Schalldruckpegel dieses Gerätes 88 dB(A) und der Schalleistungspegel 99 dB(A) (Standardabweichung: 3 dB), und die Vibration * (Vektorsumme dreier Richtungen; Unsicherheit $K = 1,5 \text{ m/s}^2$)
* beim Sägen von Holz $6,7 \text{ m/s}^2$
* beim Sägen von Metall $11,4 \text{ m/s}^2$
 - Die Vibrationsemissionsstufe wurde mit einem standardisierten Test gemäß EN 62841 gemessen; Sie kann verwendet werden, um ein Werkzeug mit einem anderen zu vergleichen und als vorläufige Beurteilung der Vibrationsexposition bei Verwendung des Werkzeugs für die angegebenen Anwendungszwecke
 - die Verwendung des Werkzeugs für andere Anwendungen oder mit anderem oder schlecht gewartetem Zubehör kann die Expositionsstufe erheblich **erhöhen**
 - Zeiten, zu denen das Werkzeug ausgeschaltet ist, oder wenn es läuft aber eigentlich nicht eingesetzt wird, können die Expositionsstufe erheblich **verringern**
- ! schützen Sie sich vor den Auswirkungen der Vibration durch Wartung des Werkzeugs und des Zubehörs, halten Sie Ihre Hände warm und organisieren Sie Ihren Arbeitsablauf**

NL

Decoupeerzaag

1061

INTRODUCTIE

- Deze machine is bestemd voor het doorzagen van, en het zagen van uitsparingen in hout, kunststof, metaal, keramiekplaten en rubber, en is geschikt om recht en in bochten te zagen onder een hoek van 45°
- Deze machine is niet bedoeld voor professioneel gebruik
- Lees en bewaar deze gebruiksaanwijzing ③

TECHNISCHE GEGEVENEN ①

MACHINE-ELEMENTEN ②

- A Waarschuwingsticker ⑥
- B Schakelaar voor aan/uit en toerentalregeling
- C Knop voor vastzetten van schakelaar
- D Instelwielje voor zaagsnelheid
- E Aansluitstuk voor stofzuiger
- F Hendel voor selecteren van zaagfunctie
- G Aan/uit schakelaar van laser
- H Ventilatie-openingen
- J Breedtegeleider
- K Clic-systeem voor verwisselen van zaagbladen
- L Opbergplaats voor sleutel

VEILIGHEID

ALGEMENE VEILIGHEIDSWAARSCHUWINGEN VOOR ELEKTRISCHE GEREEDSCHAPPEN

⚠ WAARSCHUWING Lees alle veiligheidswaarschuwingen, aanwijzingen, afbeeldingen en specificaties die bij dit elektrische gereedschap worden geleverd. Als de hieronder vermelde aanwijzingen niet worden opgevolgd, kan dit een elektrische schok, brand en/of ernstig letsel tot gevolg hebben.

Bewaar alle waarschuwingen en voorschriften voor toekomstig gebruik.

Het in de waarschuwingen gebruikte begrip "elektrisch gereedschap" heeft betrekking op elektrische gereedschappen voor gebruik op het stroomnet (met netsnoer) en op elektrische gereedschappen voor gebruik met een accu (zonder netsnoer).

1) VEILIGHEID VAN DE WERKOMGEVING

- a) **Houd uw werkomgeving schoon en opgeruimd.** Een rommelige of onverlichte werkomgeving kan tot ongevallen leiden.
- b) **Werk met het gereedschap niet in een omgeving met explosiegevaar waarin zich brandbare vloeistoffen, gassen of stof bevinden.** Elektrische gereedschappen veroorzaken vonken die het stof of de dampen tot ontsteking kunnen brengen.
- c) **Houd kinderen en andere personen tijdens het gebruik van het elektrische gereedschap uit de buurt.** Wanneer u wordt afgeleid, kunt u de controle over het gereedschap verliezen.

2) ELEKTRISCHE VEILIGHEID

- a) **De aansluitstekker van het gereedschap moet in het stopcontact passen. De stekker mag in geen geval worden veranderd. Gebruik geen adapterstekkers in combinatie met geaarde gereedschappen.** Onveranderde stekkers en passende stopcontacten beperken het risico van een elektrische schok.
- b) **Voorkom aanraking van het lichaam met geaarde oppervlakken, bijvoorbeeld van buizen, verwarmingen, fornuizen en koelkasten.** Er bestaat een verhoogd risico door een elektrische schok wanneer uw lichaam geaard is.
- c) **Houd het gereedschap uit de buurt van regen en vocht.** Het binnendringen van water in het elektrische gereedschap vergroot het risico van een elektrische schok.
- d) **Gebruik de kabel niet voor een verkeerd doel, om het gereedschap te dragen of op te hangen of om de stekker uit het stopcontact te trekken. Houd de kabel uit de buurt van hitte, olie, scherpe randen en bewegende gereedschapsdelen.** Beschadigde of in de war geraakte kabels vergroten het risico van een elektrische schok.
- e) **Wanneer u buitenshuis met elektrisch gereedschap werkt, dient u alleen verlengkabels te gebruiken die voor gebruik buitenshuis zijn goedgekeurd.** Het gebruik van een voor gebruik buitenshuis geschikte

verlengkabel beperkt het risico van een elektrische schok.

- f) **Als het gebruik van het elektrische gereedschap in een vochtige omgeving onvermijdelijk is, dient u een aardlekschakelaar te gebruiken.** Het gebruik van een aardlekschakelaar vermindert het risico van een elektrische schok.

3) VEILIGHEID VAN PERSONEN

- a) **Wees alert, let goed op wat u doet en ga met verstand te werk bij het gebruik van het elektrische gereedschap. Gebruik het gereedschap niet wanneer u moe bent of onder invloed staat van drugs, alcohol of medicijnen.** Een moment van onoplettendheid bij het gebruik van het gereedschap kan tot ernstige verwondingen leiden.

- b) **Draag persoonlijke beschermende uitrusting en altijd een veiligheidsbril.** Het dragen van persoonlijke beschermende uitrusting zoals een stofmasker, slipvastes werkschoenen, een veiligheidshelm of gehoorbescherming, afhankelijk van de aard en het gebruik van het elektrische gereedschap, vermindert het risico van verwondingen.

- c) **Voorkom per ongeluk inschakelen. Controleer dat het elektrische gereedschap uitgeschakeld is voordat u de stekker in het stopcontact steekt of de accu aansluit en voordat u het gereedschap oppakt of draagt.** Wanneer u bij het dragen van het elektrische gereedschap uw vinger aan de schakelaar hebt of wanneer u het gereedschap ingeschakeld op de stroomvoorziening aansluit, kan dit tot ongevallen leiden.

- d) **Verwijder instelgereedschappen of Schroefslutels voordat u het gereedschap inschakelt.** Een instelgereedschap of sleutel in een draaiend deel van het gereedschap kan tot verwondingen leiden.

- e) **Probeer niet ver te reiken. Zorg ervoor dat u stevig staat en steeds in evenwicht blijft.** Daardoor kunt u het gereedschap in onverwachte situaties beter onder controle houden.

- f) **Draag geschikte kleding. Draag geen loshangende kleding of sieraden. Houd haren en kleding uit de buurt van bewegende delen.** Loshangende kleding, sieraden en lange haren kunnen door bewegende delen worden meegenomen.

- g) **Wanneer stofafzuigings- of stofopvangvoorzieningen kunnen worden gemonteerd, dient u zich ervan te verzekeren dat deze zijn aangesloten en juist worden gebruikt.** Het gebruik van een stofafzuiging beperkt het gevaar door stof.

- h) **Ondanks het feit dat u eventueel heel goed vertrouwd bent met het gebruik van gereedschappen, moet u ervoor zorgen dat u niet nonchalant wordt en veiligheidsvoorschriften voor het gereedschap gaat negeren.** Een onoplettende handeling kan binnen een fractie van een seconde ernstig letsel veroorzaken.

4) GEBRUIK EN ONDERHOUD VAN ELEKTRISCHE GEREEDSCHAPPEN

- a) **Overbelast het gereedschap niet. Gebruik voor uw werkzaamheden het daarvoor bestemde elektrische gereedschap.** Met het passende elektrische gereedschap werkt u beter en veiliger binnen het aangegeven capaciteitsbereik.

- b) **Gebruik geen elektrisch gereedschap waarvan de schakelaar defect is.** Elektrisch gereedschap dat niet meer kan worden in- of uitgeschakeld, is gevaarlijk en moet worden gerepareerd.

- c) **Trek de stekker uit het stopcontact en/of neem de accu (indien uitneembaar) uit het elektrische gereedschap voordat u het elektrische gereedschap instelt, accessoires wisselt of het elektrische gereedschap opbergt.** Deze voorzorgsmaatregel voorkomt onbedoeld starten van het elektrische gereedschap.

- d) **Bewaar niet-gebruikte elektrische gereedschappen buiten bereik van kinderen. Laat het gereedschap niet gebruiken door personen die er niet mee vertrouwd zijn en deze aanwijzingen niet hebben gelezen.** Elektrische gereedschappen zijn gevaarlijk wanneer deze door onervaren personen worden gebruikt.

- e) **Verzorg het gereedschap zorgvuldig. Controleer of bewegende delen van het gereedschap correct functioneren en niet vastklemmen en of onderdelen zodanig gebroken of beschadigd zijn dat de werking van het gereedschap nadelig wordt beïnvloed. Laat beschadigde delen repareren voordat u het gereedschap gebruikt.** Veel ongevallen hebben hun oorzaak in slecht onderhouden elektrische gereedschappen.

- f) **Houd snijdende inzetgereedschappen scherp en schoon.** Zorgvuldig onderhouden snijdende inzetgereedschappen met scherpe snijkanten klemmen minder snel vast en zijn gemakkelijker te geleiden.

- g) **Gebruik elektrische gereedschappen, toebehoren, inzetgereedschappen en dergelijke volgens deze aanwijzingen. Let daarbij op de arbeidsomstandigheden en de uit te voeren werkzaamheden.** Het gebruik van elektrische gereedschappen voor andere dan de voorziene toepassingen kan tot gevaarlijke situaties leiden.

- h) **Houd handgrepen en greepvlakken droog, schoon en vrij van olie en vet.** Gladde handgrepen en greepvlakken verhinderen dat het gereedschap in onverwachte situaties veilig kan worden gehanteerd en bediend.

5) SERVICE

- a) **Laat het gereedschap alleen repareren door gekwalificeerd en vakkundig personeel en alleen met originele vervangingsonderdelen.** Daarmee wordt gewaarborgd dat de veiligheid van het gereedschap in stand blijft.

VEILIGHEIDSVOORSCHRIFTEN VOOR DECOUPEERZAGEN

ALGEMEEN

- Controleer altijd of het voltage, dat vermeld staat op het typeplaatje van de machine, overeenkomt met de netspanning (met 230V of 240V aangeduide machines kunnen ook op 220V aangesloten worden)
- Controleer vóór elk gebruik de werking van de machine, en laat deze in geval van een defect onmiddellijk repareren door een erkende vakman; open zelf nooit de machine
- **Bewerk geen asbesthoudend materiaal** (asbest geldt als kankerverwekkend)

- Deze machine mag niet worden gebruikt door personen onder de 16 jaar
- Tijdens het werken kan het geluidsniveau 85 dB(A) overschrijden; draag oorbeschermers
- Draag een veiligheidsbril bij het bewerken van splinterend materiaal
- Stof van materiaal zoals loodhoudende verf, sommige houtsoorten, mineralen en metaal kunnen schadelijk zijn (contact met of inademing van de stof kan allergische reacties en/of ademhalingsziekten bij gebruiker of omstanders veroorzaken); **draag een stofmasker en werk met een stofopvang-voorziening als die kan worden aangesloten**
- Bepaalde soorten stof zijn geclassificeerd als kankerverwekkend (zoals stof van eiken en beuken), met name in combinatie met toevoegingsmiddelen voor houtverzorging; **draag een stofmasker en werk met een stofopvang-voorziening als die kan worden aangesloten**
- Neem voor de door u te bewerken materialen de nationale voorschriften aangaande stofopvang in acht
- Gebruik volledig uitgerolde en veilige verlengsnoeren met een capaciteit van 16 Ampère
- **Trek altijd de stekker uit het stopcontact voordat u een instelling verandert of een accessoire verwisselt**

VÓÓR GEBRUIK

- Verwijder, voordat u begint te zagen, alle obstakels zowel boven als onder het zaagvlak
- Voorkom schade, die kan ontstaan door schroeven, spijkers en andere voorwerpen in uw werkstuk; verwijder deze, voordat u aan een karwei begint
- **Gebruik klemmen of pas een andere handige manier toe om het werkstuk vast te zetten en te ondersteunen op een stabiel platform** (bij het in de hand of tegen het lichaam houden van het werkstuk, kan de machine niet goed onder controle worden gehouden)

TIJDENS GEBRUIK

- **Houd het elektrische gereedschap aan de geïsoleerde greepvlakken vast als u werkzaamheden uitvoert waarbij het inzetgereedschap verborgen stroomleidingen of de eigen stroomkabel kan raken** (contact met een onder spanning staande leiding kan ook metalen delen van het elektrische gereedschap onder spanning zetten en tot een elektrische schok leiden)
- **Als de machine niet wordt gebruikt terwijl de stekker in het stopcontact zit, kan de handgreep warmer worden; dit is normaal en geen indicatie voor een probleem**
- Houd het snoer altijd verwijderd van de bewegende delen van uw machine; richt het snoer naar achteren, van de machine weg
- Raak het snoer niet aan, als dit tijdens de werkzaamheden wordt beschadigd of doorgesneden, maar trek onmiddellijk de stekker uit het stopcontact
- Gebruik de machine niet, wanneer het snoer beschadigd is; laat dit door een erkende vakman vervangen
- In geval van elektrische of mechanische storing, de machine onmiddellijk uitschakelen en de stekker uit het stopcontact trekken

- Blijf met uw handen uit de buurt van het zaagblad tijdens het gebruik van de machine

ACCESSOIRES

- SKIL kan alleen een correcte werking van de machine garanderen, indien originele accessoires worden gebruikt
- Gebruik geen beschadigd, vervormd of bot zaagblad

GEBRUIK BUITENSHUIS

- Sluit uw machine, bij gebruik buitenshuis, aan via een aardlekschakelaar (FI) met maximaal 30 mA uitschakelstroom, en gebruik alleen voor buitenshuis gebruik goedgekeurde verlengsnoeren, voorzien van een spatwaterdichte contactstop

NA GEBRUIK

- Als u de machine wegzet moet de motor uitgeschakeld zijn en de bewegende delen tot stilstand zijn gekomen

STRALINGSGEVAAR

- **Richt de laserstraal niet op personen of dieren**
- **Kijk niet in de laserstraal (stralingsgevaar)**
- Gebruik geen enkel optisch vergrootmiddel (zoals vergrootglas, telescoop, of verrekijker) om in de laserstraal te kijken
- Het apparaat niet gebruiken in de buurt van ontvlambare vloeistoffen, gassen of stof
- Het apparaat niet gebruiken wanneer er kinderen in de buurt zijn

UITLEG VAN SYMBOLEN OP MACHINE

- ③ Lees de gebruiksaanwijzing vóór gebruik
- ④ Dubbele isolatie (geen aarddraad nodig)
- ⑤ Geef de machine niet met het huisvuil mee
- ⑥ **Laser-straling / Kijk niet in de straal / Klasse 2 laser product**

GEBRUIK

- Aan/uit ⑦
- Toerentalregeling voor langzaam starten ⑧
- Vastzetten van schakelaar voor continu gebruik ⑨
- Verwisselen van zaagbladen ⑩
- **! steek zaagblad in zaagbladhouder tot deze niet verder kan (met de tanden naar voren gericht) ⑪**
- **! gebruik alleen zaagbladen met een T-schacht**
- Zagen bij 15°/30°/45° ⑫
- Instellen van zaagsnelheid afhankelijk van het te gebruiken materiaal ⑬
- **! als de machine niet start met wieltje D in positie 1, selecteer dan een hogere zaagsnelheid en verminder deze terwijl de machine loopt**
- Stofafzuiging ⑭
 - sluit een stofzuiger aan op aansluitstuk E
 - **! gebruik de stofzuiger niet bij het zagen van metaal**
- Selecteren van zaagfunctie ⑮
 - Gebruik hendel F ② voor het instellen van de pendelbeweging van nauwkeurig (= 0) tot snel (= III) zagen
 - 1 positie ("0") voor nauwkeurig zagen in alle materialen, recht + in bochten
 - 3 posities voor snel zagen in verschillende materialen, alleen recht
 - I = metaal
 - II = plastic
 - III = hard hout
 - **! kies altijd "0" bij het zagen van splintergevoelig materiaal**

- Laserlijn ⑩
 - voor het langs de gewenste, op werkstuk aangegeven, zaaglijn geleiden van machine
 - schakel laserlijn aan/uit door op schakelaar G te drukken
 - controleer, vóór u begint, of de laserlijn op één lijn ligt met de gewenste zaaglijn door eerst op een stuk afvalmateriaal te oefenen
 - ! **probeer de laserlijn niet aan te passen met schroef X, die vooraf is ingesteld in de fabriek**
 - ! **waarschuwingssticker A ② niet verwijderen of beschadigen**
- Werken met de machine
 - zorg ervoor dat, voordat u de machine aanzet, de voor-kant van de voetplaat goed vlak op het werkstuk rust
 - houd uw machine stevig met beide handen vast, zodat u deze altijd volledig onder controle hebt
 - ! **houd de machine tijdens het werk altijd vast bij het(de) grijs-gekleurde greepvlak(ken) ⑰**
 - zorg ervoor, dat de voetplaat over het hele oppervlak goed aansluit
 - ! **zorg ervoor, dat het zaagblad tot stilstand gekomen is, voordat u de machine van het werkstuk haalt**
 - houd ventilatie-openingen H ② onbedekt

TOEPASSINGSADVIES

- Gebruik de juiste zaagbladen ⑱
 - ! **gebruik alleen zaagbladen met een T-schacht**
- Bij het zagen in metalen, het zaagblad regelmatig met olie invetten
- Gebruik breedtegeleider J voor het maken van parallel-snedes ⑲
- Voor een nauwkeurige rechte zaagsnede, de machine met de voetplaat langs een recht stuk hout geleiden ⑳
- Vóór het zagen van een uitsparing een gat voorboren ㉑
- Splintervrij zagen
 - bedek de zaaglijn met verscheidene lagen breed plakband, voordat u begint te zagen
 - leg de goede kant van het werkstuk altijd naar beneden
- Voor meer tips zie www.skil.com

ONDERHOUD / SERVICE

- Deze machine is niet bedoeld voor professioneel gebruik
- Houd machine en snoer altijd schoon (met name de ventilatie-openingen H ②)
 - ! **trek de stekker uit het stopcontact vóór het reinigen**
- Mocht het elektrische gereedschap ondanks zorgvuldige fabricage- en testmethoden toch defect raken, dient de reparatie te worden uitgevoerd door een erkende klantenservice voor SKIL elektrische gereedschappen
 - stuur de machine **ongedemonteerd**, samen met het aankoopbewijs, naar het verkoopadres of het dichtstbijzijnde SKIL service-station (de adressen evenals de onderdelentekening van de machine vindt u op www.skil.com)

MILIEU

- **Geef electrisch gereedschap, accessoires en verpakkingen niet met het huisvuil mee** (alleen voor EU-landen)
 - volgens de Europese richtlijn 2012/19/EG inzake oude elektrische en elektronische apparaten en de toepassing daarvan binnen de nationale wetgeving, dient afgedankt electrisch gereedschap gescheiden te worden ingezameld en te worden afgevoerd naar een recycle-bedrijf, dat voldoet aan de geldende milieu-eisen
 - symbool ⑤ zal u in het afdankstadium hieraan herinneren

GELUID / VIBRATIE

- Gemeten volgens EN 62841 bedraagt het geluidsdrumniveau van deze machine 88 dB(A) en het geluidsvermogen-niveau 99 dB(A) (standaard deviatie: 3 dB), en de vibratie * (vectorsom van drie richtingen; onzekerheid K = 1,5 m/s²)
 - * bij het zagen van hout 6,7 m/s²
 - * bij het zagen van metaal 11,4 m/s²
- Het trillingsemisssieniveau is gemeten in overeenstemming met een gestandaardiseerde test volgens EN 62841; deze mag worden gebruikt om twee machines met elkaar te vergelijken en als voorlopige beoordeling van de blootstelling aan trilling bij gebruik van de machine voor de vermelde toepassingen
 - gebruik van de machine voor andere toepassingen, of met andere of slecht onderhouden accessoires, kan het blootstellingsniveau aanzienlijk **verhogen**
 - wanneer de machine is uitgeschakeld of wanneer deze loopt maar geen werk verricht, kan dit het blootstellingsniveau aanzienlijk **reduceren**
- ! **bescherm uzelf tegen de gevolgen van trilling door de machine en de accessoires te onderhouden, uw handen warm te houden en uw werkwijze te organiseren**

S

Figuursåg

1061

INTRODUKTION

- Denna maskin är avsedd för kapning och ursågning i trä, plast, metall, keramikplattor och gummi, och är lämplig för rak och kurvig sågning med en geringsvinkel upp till 45°
- Det här verktyget är inte avsett för yrkesmässig användning
- Läs och spara denna instruktionsbok ③

TEKNISKA DATA ①

VERKTYGSELEMENT ②

- A Varningsetikett ⑥
- B Strömbrytare för till/från och varvtalsreglering
- C Knapp för låsning av strömbrytare
- D Ratt för justering av såghastighet

- E Anslutning för dammsugare
- F Spak för val av sågningsläge
- G Till/från strömbrytare laser
- H Ventilationsöppningar
- J Sidoanslag
- K Clic-system för sågbladbyte
- L Förvaring av nyckel

SÄKERHET

ALLMÄNNA SÄKERHETSANVISNINGAR FÖR ELVERKTYG

⚠ VARNING Läs alla säkerhetsvarningar, instruktioner, illustrationer och specifikationer som ingår med detta elverktyg. Fel som uppstår till följd av att instruktionerna nedan inte följts kan orsaka elstöt, brand och/eller allvarliga personskador.

Förvara alla varningar och anvisningar för framtida bruk.

Nedan använt begrepp "elverktyg" hänför sig till nätdrivna elverktyg (med nätsladd) och till batteridrivna elverktyg (sladdlösa).

1) ARBETSPLATSSÄKERHET

- a) **Håll arbetsplatsen ren och välbelyst.** Oordning på arbetsplatsen eller dåligt belyst arbetsområde kan leda till olyckor.
- b) **Använd inte elverktyget i explosionsfarlig omgivning med brännbara vätskor, gaser eller damm.** Elverktygen alstrar gnistor som kan antända dammet eller gaserna.
- c) **Håll under arbetet med elverktyget barn och obehöriga personer på betryggande avstånd.** Om du störs av obehöriga personer kan du förlora kontrollen över elverktyget.

2) ELEKTRISK SÄKERHET

- a) **Elverktygets stickpropp måste passa till vägguttaget. Stickproppen får absolut inte förändras. Använd inte adapterkontakter tillsammans med skyddsjordade elverktyg.** Oförändrade stickproppar och passande vägguttag reducerar risken för elektriskt slag.
- b) **Undvik kroppskontakt med jordade ytor som t. ex. rör, värmeelement, spisar och kylskåp.** Det finns en större risk för elektriskt slag om din kropp är jordad.
- c) **Skydda elverktyget mot regn och våta.** Trånger vatten in i ett elverktyg ökar risken för elektriskt slag.
- d) **Missbruka inte nätsladden och använd den inte för att bära eller hänga upp elverktyget och inte heller för att dra stickproppen ur vägguttaget. Håll nätsladden på avstånd från värme, olja, skarpa kanter och rörliga maskindelar.** Skadade eller tillrasslade ledningar ökar risken för elektriskt slag.
- e) **När du arbetar med ett elverktyg utomhus använd endast förlängningsladdar som är godkända för utomhusbruk.** Om en lämplig förlängningsladd för utomhusbruk används minskar risken för elektriskt slag.
- f) **Använd en jordfelsbrytare om det inte är möjligt att undvika elverktygets användning i fuktig miljö.**

Genom att använda en jordfelsbrytare minskas risken för elstöt.

3) PERSONSÄKERHET

- a) **Var uppmärksam, kontrollera vad du gör och använd elverktyget med förnuft. Använd inte elverktyget när du är trött eller om du är påverkad av droger, alkohol eller mediciner.** Under användning av elverktyg kan även en kort uppmärksamhet leda till allvarliga kroppsskador.
 - b) **Bär alltid personlig skyddsutrustning och skyddsglasögon.** Användning av personlig skyddsutrustning som t. ex. dammfiltermask, halkfria säkerhetsskor, skyddshjälm och hörselskydd reducerar alltefter elverktygets typ och användning risken för kroppsskada.
 - c) **Undvik oavsiktlig igångsättning. Kontrollera att elverktyget är fränkopplat innan du ansluter stickproppen till vägguttaget och/eller ansluter/tar bort batteriet, tar upp eller bär elverktyget.** Om du bär elverktyget med fingret på strömställaren eller ansluter påkopplat elverktyg till nätströmmen kan olycka uppstå.
 - d) **Ta bort alla inställningsverktyg och skruvnycklar innan du kopplar på elverktyget.** Ett verktyg eller en nyckel i en roterande komponent kan medföra kroppsskada.
 - e) **Överskatta inte din förmåga. Se till att du står stadigt och håller balansen.** I detta fall kan du lättare kontrollera elverktyget i oväntade situationer.
 - f) **Bär lämpliga kläder. Bär inte löst hängande kläder eller smycken. Håll häret och kläderna på avstånd från de rörliga delarna.** Löst hängande kläder, smycken och långt hår kan dras in av roterande delar.
 - g) **Vid elverktyg med dammsugnings- och -uppsamlingsutrustning kontrollera att anordningarna är rätt monterade och används på korrekt sätt.** Användning av dammsugning minskar de risker damm orsakar.
 - h) **Låt inte vanan att ofta använda verktygen göra att du blir slarvig och ignorerar verktygets säkerhetsprinciper.** En vårdslös åtgärd kan leda till allvarlig personskada inom bråkdelen av en sekund.
- #### 4) OMSORGSFULL HANTERING OCH ANVÄNDNING AV ELVERKTYG
- a) **Överbelasta inte elverktyget. Använd för aktuellt arbete avsett elverktyg.** Med ett lämpligt elverktyg kan du arbeta bättre och säkrare inom angivet effektområde.
 - b) **Ett elverktyg med defekt strömställare får inte längre användas.** Ett elverktyg som inte kan kopplas in eller ur är farligt och måste repareras.
 - c) **Dra stickproppen ur vägguttaget och/eller ta bort batteriet, om det kan tas ut ur verktyget, innan inställningar utförs, tillbehörsdelar byts ut eller elverktyget lagras.** Denna skyddsåtgärd förhindrar oavsiktlig inkoppling av elverktyget.
 - d) **Förvara elverktygen oåtkomliga för barn. Låt elverktyget inte användas av personer som inte är förtrogna med dess användning eller inte läst denna anvisning.** Elverktygen är farliga om de används av oerfarna personer.
 - e) **Underhåll elverktyg och tillbehör omsorgsfullt. Kontrollera att rörliga komponenter fungerar felfritt**

och inte kärvar, att komponenter inte brustit eller skadats; orsaker som kan leda till att elverktygets funktioner påverkas menligt. Låt skadade delar repareras innan elverktyget återanvänds. Många olyckor orsakas av dåligt skötta elverktyg.

- f) **Håll skärverktygen skarpa och rena.** Omsorgsfullt skötta skärverktyg med skarpa egg kommer inte så lätt i kläm och går lättare att styra.
- g) **Använd elverktyget, tillbehör, insatsverktyg osv. enligt dessa anvisningar. Ta hänsyn till arbetsvillkoren och arbetsmomenten.** Används elverktyget på icke ändamålsenligt sätt kan farliga situationer uppstå.
- h) **Håll handtag och greppytorna torra, rena och fria från olja och fett.** Håll handtag och greppytorna rena ger ingen säker hantering och kontroll över verktyget i oväntade situationer.

5) SERVICE

- a) **Låt elverktyget repareras endast av kvalificerad fackpersonal och med originalreservdelar.** Detta garanterar att elverktygets säkerhet upprätthålls.

SÄKERHETSANVISNINGAR FÖR FIGURSÅGER

ALLMÄNT

- Kontrollera alltid att den tillförda strömtypen stämmer med spänningen som anges på maskinens märkplåt (maskiner med beteckningen 230V eller 240V kan även anslutas till 220V)
- Kontrollera före användningen att maskinen fungerar ordentligt; eventuella skador måste repareras av en kvalificerad tekniker; öppna aldrig maskinen själv
- **Asbesthaltigt material får inte bearbetas** (asbest anses vara cancerframkallande)
- Den här maskinen ska inte användas av personer under 16 år
- Ljudnivån vid arbete kan överskrida 85 dB(A); använd hörselskydd
- Använd skyddsglasögon vid spånbildande material
- Viss typ av damm, exempelvis färg som innehåller bly, vissa träsorter, mineraler och metaller kan vara hälsovådliga om de inhaleras (hudkontakt eller inandning kan ge allergisk reaktion och/eller luftvägsproblem/sjukdom hos personer i närheten); **använd andningsskydd och arbeta med en dammuppsamlare om sådan anslutning finns**
- Vissa typer av damm är klassificerade så som carcinogena (t.ex. ek- och björkdamm) särskilt i kombination med tillsatser för träbehandling; **använd andningsskydd och arbeta med en dammuppsamlare om sådan anslutning finns**
- Följ de nationella krav, som finns angående damm, för de material du skall arbeta med
- Använd helt uttullade och säkra förlängningssladdar med kapacitet på 16 A
- **Dra alltid ur stickkontakten från väggurtaget innan du gör någon justering eller byter tillbehör**

FÖRE ANVÄNDNINGEN

- Se till att arbetsområdet är fritt från föremål innan du startar arbetet
- Undvik skador genom att ta bort skruvar, spikar eller andra föremål ur arbetsstycket; ta dem bort innan du startar ett arbete

- **Använd klämmor eller något annat praktiskt sätt att säkra och stötta arbetsstycket mot en stabil plattform** (om du håller arbetsstycket i handen eller mot kroppen blir det instabilt, vilket kan leda till att du tappar kontrollen)

UNDER ANVÄNDNINGEN

- **Håll fast elverktyget vid de isolerade greppytorna när arbeten utförs på ställen där insatsstillbehöret kan skada dolda elledningar eller egen nätsladd** (kontakt med en spänningsförande ledning kan sätta elverktygets metalldelar under spänning och leda till elstöt)
- **När maskinen är inkopplad med ström utan användning kan handtaget bli varmt; detta är normalt och indikerar inget fel**
- Håll alltid sladden på säkert avstånd från rörliga maskindelar; för sladden bakåt bort från maskinen
- Skadas eller kapas nätsladden under arbetet, rör inte vid sladden utan dra genast ur stickkontakten
- Använd ej maskinen om sladden är trasig; låt den byta ut av en kvalificerad person
- I händelse av onormala elektriska eller mekaniska störningar, stäng genast av maskinen och dra ur stickkontakten
- Håll händerna från sågbladet när maskinen är igång

TILLBEHÖR

- SKIL kan endast garantera att maskinen fungerar felritt om originaltillbehör används
- Använd inte en trasig, deformationerad eller slö blad

ANVÄNDNING UTMOMHUS

- Om maskinen används utomhus skall den vara ansluten till en jordfelsbrytare (FI) på högst 30 mA; använd bara en förlängningssladd avsedd för utomhusbruk och utrustad med en stänkskyddad kontakt

EFTER ANVÄNDNINGEN

- När du ställer ifrån dig maskinen måste motorn vara fränslagen och de rörliga delarna ska ha stannat fullständigt

LASERSTRÅLNING

- **Rikta inte laserstrålen mot personer eller djur**
- **Titta inte in i laserstrålen (laserstrålning)**
- Använd inga förstöringsverktyg (såsom förstöringsglas, teleskop eller kikare) för att se laserstrålen
- Använd inte verktyget i närvaro av antändliga vätskor, gaser eller damm
- Använd inte verktyget i närheten av barn

FÖRKLARING AV SYMBOLERNA PÅ VERKTYGET

- ③ Läs bruksanvisningen före användning
- ④ Dubbel isolering (ingen jordning krävs)
- ⑤ Maskinen får inte kastas i hushållssporna
- ⑥ Laserstrålning / Titta inte in i strålen / Laserprodukt av klass 2

ANVÄNDNING

- Till/från ⑦
- Varvtalsreglering för mjukstart ⑧
- Låsning av strömbrytare för kontinuerlig drift ⑨
- Sågbladsbyte ⑩
 - ! sätt in sågbladet till fullt djup med tänderna framåt ⑪
 - ! använd endast sågblad med T-axel
- Sågning vid 15°/30°/45° ⑫
- Inställning av såghastighet beroende på val av material ⑬

- ! om maskinen inte sågar med ratt D i läge 1, ska du välja en högre såghastighet och gå ner till en lägre hastighet medan maskinen går
- Dammuppsugning ⑭
 - anslut dammsugare till anslutning E
- ! använd inte dammsugare för skåring i metall
- Utväljande av sågningsläget ⑮
 - Använd spaken F ② till att reglera den pendlande rörelsen på precissågning (= 0) till snabbsågning (= III)
 - 1 läge ("0") för precisionssågning i alla material, rak + kurvig
 - 3 läge för snabbsågning i olika material, endast rak
 - I = metall
 - II = plast
 - III = hårt trä
- ! välj alltid "0" när sågning görs i splinterkänsligt material
- Laserstråle ⑯
 - för att föra maskinen längs önskad såglinje markerat på arbetsstycket
 - sätt på/stäng av laserstrålen genom att trycka brytaren G
 - innan du börjar med en uppgift, kontrollera att den laserstrålen är ställd parallellt med den linje som du ska såga efter genom att göra en provsågning på en bit överskottsmaterial
- ! försök inte att justera laserstrålen med skruven X som är förinställd av tillverkaren
- ! varningsetiketten A ② får inte tas bort eller skadas
- Användning av maskinen
 - innan maskinen sätts på, försäkra dig om att fotplattans framsidan ligger plant på arbetsstycket
 - håll maskinen stadigt så att Du har full kontroll hela tiden
- ! under arbetet, håll alltid verktyget i det grå greppet ⑰
 - försäkra dig om att fotplattan ligger an mot arbetsstycket över hela ytan
- ! försäkra dig om att bladet helt har stannat innan maskinen lyfts från det sågade materialet
 - håll ventilationsöppningarna H ② ej övertäckta

ANVÄNDNINGSTIPS

- Använd rätt sågblad ⑱
 - ! använd endast sågblad med T-axel
- För sågning i metall, olja in sågbladet regelbundet
- Använd sidoanslag J för att utsågning av parallellsnitt ⑲
- För att såga precis rakt, styr maskinen med fotplattan längs kanten på en rak träbit ⑳
- Förborra ett hål innan du börjar såga ur ㉑
- Splinterfri sågning
 - täck snittlinjen med flera lager av breda tejp innan du börjar såga
 - lägg alltid den finaste sidan av arbetsstycket nedåt
- För fler tips se www.skil.com

UNDERHÅLL / SERVICE

- Det här verktyget är inte avsedd för yrkesmässig användning

- Håll alltid din maskin och sladden ren (speciellt ventilationsöppningarna H ②)
- ! drag ur stickkontakten innan rengöring
- Om i elverket trots exakt tillverkning och sträng kontroll störning skulle uppstå, bör reparation utföras av auktoriserad serviceverkstad för SKIL elverktyg
 - sänd in verktyget i odemonterat skick tillsammans med inköpsbevis till försäljaren eller till närmaste SKIL serviceverkstad (adresser till servicestationer och sprängskisser av maskiner finns på www.skil.com)

MILJÖ

- Elektriska verktyg, tillbehör och förpackning får inte kastas i hushållssoporna (gäller endast EU-länder)
 - enligt direktivet 2012/19/EG som avser äldre elektrisk och elektronisk utrustning och dess tillämpning enligt nationell lagstiftning ska uttjänta elektriska verktyg sorteras separat och lämnas till miljövänlig återvinning
 - symbolen ⑤ kommer att påminna om detta när det är tid att kassera

LJUD / VIBRATION

- Ljudtrycksnivån som uppmätts enligt EN 62841 är på denna maskin 88 dB(A) och ljudeffektnivån 99 dB(A) (standard deviation: 3 dB), och vibration * m/s² (vektorsumma i tre riktningar; onoggrannhet K = 1,5 m/s²)
 - * vid sågning i trä 6,7 m/s²
 - * vid sågning i metall 11,4 m/s²
- Vibrationsemissionsvärdet har uppmätts enligt ett standardiserat test i enlighet med EN 62841; detta värde kan användas för att jämföra vibrationen hos olika verktyg och som en ungefärlig uppskattning av hur stor vibration användaren utsätts för när verktyget används enligt det avsedda syftet
 - om verktyget används på ett annat än det avsedda syftet eller med fel eller dåligt underhållna tillbehör kan detta drastiskt öka vibrationsnivån
 - när verktyget stängs av eller är på men inte används, kan detta avsevärt minska vibrationsnivån
- ! skydda dig mot vibration genom att underhålla verktyget och dess tillbehör, hålla händerna varma och styra upp ditt arbetssätt

DK

Stiksav

1061

INLEDNING

- Dette værktøj er beregnet til at gennemsave emner og udføre udsnit i træ, kunststof, metal, keramikplader og gummi, og er egnet til lige og kurvede snit med en geringsvinkel på indtil 45°
- Dette værktøj er ikke beregnet til professionelt brug
- Læs og gem denne betjeningsvejledning ③

TEKNISKE DATA ①

VÆRKTØJETS DELE ②

- A Advarselsmærkat ⑥
- B Afbryder til tænd/sluk og regulering af omdrejningstal
- C Knap til fastlåsning af afbryderen
- D Hjul til hastighedsvalg
- E Forlænger til støvsuger
- F Arm til valg af savningsindstilling
- G Tænd/sluk laserafbryder
- H Ventilationshuller
- J Sidestyrt
- K Clic-system til udskiftning af savklinge
- L Opbevaring for nøgle

SIKKERHED

GENERELLE SIKKERHEDSINSTRUKSER FOR EL-VÆRKTØJ

⚠ ADVARSEL Læs alle sikkerhedsadvarsler, instruktioner, illustrationer og specifikationer, som følger med el-værktøjet. I tilfælde af manglende overholdelse af anvisningerne nedenfor er der risiko for elektrisk stød, brand og/eller alvorlige personskader.

Gem alle advarsler og instruktioner til senere brug.

Begrebet "el-værktøj" i advarslerne refererer til el-værktøj, der kører på lysnettet, (med netkabel) samt akku-værktøj (uden netkabel).

1) SIKKERHED PÅ ARBEJDSPLADSEN

- a) **Sørg for, at arbejdsområdet er rent og ryddeligt.** Uorden eller uoplyste arbejdsområder øger faren for uheld.
- b) **Brug ikke el-værktøjet i eksplosionsfarlige omgivelser, hvor der er brændbare væsker, gasser eller støv.** El-værktøj kan slå gnister, der kan antænde støv eller dampe.
- c) **Sørg for, at andre personer og ikke mindst børn holdes væk fra arbejdsområdet, når el-værktøjet er i brug.** Hvis man distraheres, kan man miste kontrollen over el-værktøjet.

2) ELEKTRISK SIKKERHED

- a) **El-værktøjets stik skal passe til kontakten. Stikket må under ingen omstændigheder ændres. Brug ikke adapterstik sammen med jordforbundet el-værktøj.** Uændrede stik, der passer til kontakterne, nedsætter risikoen for elektrisk stød.
- b) **Undgå kropskontakt med jordforbundne overflader som f.eks. rør, radiatorer, komfurer og køleskabe.** Hvis din krop er jordforbundet, øges risikoen for elektrisk stød.
- c) **El-værktøjet må ikke udsættes for regn eller fugt.** Indtrængning af vand i et el-værktøj øger risikoen for elektrisk stød.
- d) **Brug ikke ledningen til formål, den ikke er beregnet til. Du må aldrig bære el-værktøjet i ledningen, hænge el-værktøjet op i ledningen eller rykke i ledningen for at trække stikket ud af kontakten. Beskyt ledningen mod varme, olie, skarpe kanter eller maskindele, der er i bevægelse.** Beskadede eller udviklede ledninger øger risikoen for elektrisk stød.

e) **Hvis el-værktøjet benyttes i det fri, må der kun benyttes en forlængerledning, der er egnet til udendørs brug.** Brug af forlængerledning til udendørs brug nedsætter risikoen for elektrisk stød.

f) **Hvis det ikke kan undgås at bruge el-værktøjet i fugtige omgivelser, skal der bruges et HFI-relæ.** Brug af et HFI-relæ reducerer risikoen for at få elektrisk stød.

3) PERSONLIG SIKKERHED

- a) **Det er vigtigt at være opmærksom, se, hvad man laver, og bruge el-værktøjet fornuftigt. Brug ikke noget el-værktøj, hvis du er træt, har nydt alkohol eller er påvirket af medikamenter eller euforiserende stoffer.** Få sekunders uopmærksomhed ved brug af el-værktøjet kan føre til alvorlige personskader.
 - b) **Brug beskyttelsesudstyr og hav altid beskyttelsesbriller på.** Brug af sikkerhedsudstyr som f. eks. støvmaske, skridsikket fodtøj, beskyttelseshjelm eller høreværn afhængig af maskintype og anvendelse nedsætter risikoen for personskader.
 - c) **Undgå utilsigtet igangsætning. Kontrollér, at el-værktøjet er slukket, før du tilslutter det til strømtilførslen og/eller akkuen, løfter eller bærer det.** Undgå at bære el-værktøjet med fingeren på afbryderen og sørg for, at el-værktøjet ikke er tændt, når det slutes til nettet, da dette øger risikoen for personskader.
 - d) **Gør det til en vane altid at fjerne indstillingsværktøj eller skruenøgle, før el-værktøjet tændes.** Hvis et stykke værktøj eller en nøgle sidder i en roterende maskindele, er der risiko for personskader.
 - e) **Undgå en unormal legemssituation. Sørg for at stå sikkert, mens der arbejdes, og kom ikke ud af balance.** Dermed har du bedre muligheder for at kontrollere el-værktøjet, hvis der skulle opstå uventede situationer.
 - f) **Brug egnet arbejdstøj. Undgå løse beklædningsgenstande eller smykker. Hold hår og tøj væk fra dele, der bevæger sig.** Dele, der er i bevægelse, kan gribe fat i løstsiddende tøj, smykker eller langt hår.
 - g) **Hvis støvudsugnings- og opsamlingsudstyr kan monteres, er det vigtigt, at dette tilsluttes og benyttes korrekt.** Brug af en støvopsugning kan reducere støvmængden og dermed den fare, der er forbundet støv.
 - h) **Selvom du kender værktøjet godt og er vant til at bruge det, skal du alligevel være opmærksom og overholde sikkerhedsanvisningerne.** Et øjeblik uopmærksomhed kan medføre alvorlige personskader.
- #### 4) OMHYGGE LIG OMGANG MED OG BRUG AF EL-VÆRKTØJ
- a) **Undgå overbelastning af el-værktøjet. Brug altid et el-værktøj, der er beregnet til det stykke arbejde, der skal udføres.** Med det passende el-værktøj arbejder man bedst og mest sikkert inden for det angivne effektområde.
 - b) **Brug ikke et el-værktøj, hvis afbryder er defekt.** Et el-værktøj, der ikke kan startes og stoppes, er farligt og skal repareres.
 - c) **Træk stikket ud af stikkontakten og/eller fjern akkuen, hvis den er aftagelig, før maskinen**

indstilles, før skift af tilbehørsdele eller før el-værktøjet lægges til opbevaring. Disse sikkerhedsforanstaltninger forhindrer utilsigtet start af el-værktøjet.

- d) **Opbevar ubenyttet el-værktøj uden for børns rækkevidde. Lad aldrig personer, der ikke er fortrolige med el-værktøjet eller ikke har gennemlæst disse instrukser, benytte el-værktøjet.** El-værktøj er farligt, hvis det benyttes af ukyndige personer.
 - e) **Vedligehold el-værktøj og tilbehørsdele. Kontroller, om bevægelige maskindele fungerer korrekt og ikke sidder fast, og om delene er brækket eller beskadiget, således at el-værktøjets funktion påvirkes. Få beskadigede dele repareret, inden el-værktøjet tages i brug.** Mange uheld skyldes dårligt vedligeholdte el-værktøjer.
 - f) **Sørg for, at skæreværktøjer er skarpe og rene.** Omhyggeligt vedligeholdte skæreværktøjer med skarpe skærekanter sætter sig ikke så hurtigt fast og er nemmere at føre.
 - g) **Brug el-værktøj, tilbehør, indsatsværktøj osv. iht. disse instrukser. Tag hensyn til arbejdsforholdene og det arbejde, der skal udføres.** Anvendelse af el-værktøjet til formål, som ligger uden for det fastsatte anvendelsesområde, kan føre til farlige situationer.
 - h) **Hold håndtag og gribeblader tørre, rene og fri for olie og smørefedt.** Hvis håndtag og gribeblader er glatte, kan værktøjet ikke håndteres og styres sikkert, hvis der sker noget uventet.
- 5) **SERVICE**
- a) **Sørg for, at el-værktøj kun repareres af kvalificerede fagfolk og at der kun benyttes originale reservedele.** Dermed sikres størst mulig maskinsikkerhed.

SIKKERHEDSINSTRUKSER FOR STIKSAVE

GENERELT

- Kontrollér altid at forsyningsspændingen er den samme som den spænding, der er anført på værktøjets navneskilt (værktøj med betegnelsen 230V eller 240V kan også tilsluttes til 220V)
- Hver gang værktøjet tages i brug, skal man kontrollere dets funktion, og i tilfælde af en fejl, skal man omgående få værktøjet repareret af en kvalificeret person; man må aldrig selv åbne værktøjet
- **Bearbejd ikke asbestholdigt materiale** (asbest er kræftfremkaldende)
- Dette værktøj må ikke bruges af personer under 16 år
- Under arbejde med værktøjet kan lyd-niveaueet overstige 85 dB(A); brug hørevern
- Bær beskyttelsesbriller ved bearbejdning af spånproducerende materialer
- Støv fra materiale som f.eks. maling, der indeholder bly, nogle træsorter, mineraler og metal kan være skadeligt (kontakt med eller indånding af støvet kan forårsage allergiske reaktioner og/eller sygdomme i luftvejene hos den, der anvender værktøjet, eller hos omkringstående); **bær en støvmaske og arbejd med en støvudsugningsanordning, hvor en sådan kan sluttes til**
- Visse slags støv er klassificeret som kræftfremkaldende (som f.eks. støv fra eg og bøg) især i forbindelse med

tilsætningsstoffer til træbehandling; **bær en støvmaske og arbejd med en støvudsugningsanordning, hvor en sådan kan sluttes til**

- Følg de nationale krav, hvad angår støv, for de materialer, du ønsker at arbejde med
 - Anvend helt udrullede og sikre forlængerledninger med en kapacitet på 16 A
 - **Fjern altid først stikket fra kontakten, førend De foretager nogle ændringer eller skifter tilbehør**
- ### INDEN BRUG
- Fjern alle genstande såvel ovenpå som nedenunder savlinjen, før De begynder at save
 - Undgå skader forårsaget af skruer, søm eller andre materialer i arbejdsstykket; fjern disse før De begynder at arbejde
 - **Brug klemmer eller en anden praktisk måde til at sikre og støtte arbejdsområdet til en stabil platform** (hvis du holder arbejdsområdet i hånden eller mod kroppen, kan du miste kontrol over værktøjet)

UNDER BRUG

- **Hold el-værktøjet i de isolerede gribeblader, når du udfører arbejde, hvor indsatstilbehøret kan ramme bøjede strømledninger eller el-værktøjets eget kabel** (kontakt med en spændingsførende ledning kan også sætte el-værktøjets metaldele under spænding, hvilket kan føre til elektrisk stød)
- **Når værktøjet er tilsluttet men ikke i brug, kan håndtaget blive varmt; dette er normalt og er ikke et tegn på et problem**
- Hold altid ledningen væk fra værktøjets bevægelige dele; for altid ledningen bagud, væk fra værktøjet
- Hvis kablet beskadiges eller skæres over under arbejdet, ikke berør kablet, og straks træk ud stikket
- Brug ikke værktøjet, hvis kablet er beskadiget; få det skiftet ud af en anerkendt fagmand
- I tilfælde af elektrisk eller mekanisk fejlfunktion skal afbryderen straks afbrydes og stikket tages ud af kontakten
- Hold hænderne væk fra savklingen, når værktøjet er i gang

TILBEHØR

- SKIL kan kun sikre en korrekt funktion af værktøjet, hvis der benyttes originalt tilbehør
- Brug aldrig savklinger der er sløve, skæve eller på anden måde beskadigede

UDENDØRS BRUG

- Når værktøjet anvendes udendørs, skal det forbindes via en fejlstrømsafbryder (FI) med en triggestrøm på 30 mA maksimum, og man må kun anvende en forlængerledning, som er beregnet til udendørs brug og er udstyret med en stænkbeskyttet koblings-stikkontakt

EFTER BRUG

- Efter endt arbejde skal afbryderen afbrydes og alle bevægelige dele være stoppet før værktøjet sættes til side

LASERSTRÅLING

- **Peg ikke laserstrålen mod personer eller dyr**
- **Se ikke ind i laserstrålen (laserstråling)**
- Brug ikke optiske forstørrelsesanordninger (som f.eks. forstørrelsesglas, teleskoper eller kikkerter) til at se ind i laserstrålen

- Anvend ikke værktøjet i nærheden af brandfarlige væsker, gasser eller støv
- Anvend ikke værktøjet, når der er børn i nærheden

FORKLARING TIL SYMBOLERNE PÅ VÆRKTØJET

- ③ Læs instruktionen inden brugen
- ④ Dobbel isolering (jordforbindelse unødvendig)
- ⑤ Værktøj må ikke bortskaffes som almindeligt affald
- ⑥ **Laserstråling / Se ikke ind i strålen / Klasse 2 laserprodukt**

BETJENING

- Tænd/sluk ⑦
- Regulering af omdrejningstal til blød start ⑧
- Fastlåsnings af afbryderen til vedvarende drift ⑨
- Udskiftning af savklinge ⑩
 - ! **isæt savklingen i fuld dybde med tænderne pegende fremad ⑪**
 - ! **brug kun savklinger med T-skaft**
- Savning ved 15°/30°/45° ⑫
- Indstilling af omdrejningstallet efter det anvendte materiale ⑬
 - ! **hvis værktøjet ikke kører med hjulet D i position 1, skal De vælge et højere omdrejningstal og så sætte det ned, mens værktøjet kører**
- Støvopsugning ⑭
 - monter støvsuger til forlængerstykket E
 - ! **brug ikke støvsuger ved savning i metal**
- Valg af savemodus ⑮
 - Benyt armen F ② til at indstille pendul bevægelsen fra akkurat savning (= 0) til hurtig savning (= III)
 - 1 position ("0") til akkurat savning i alle materialer, lige + kurvede snit
 - 3 positioner til hurtig savning i forskellige materialer, kun lige snit
 - I = metal
 - II = plastik
 - III = hårdt træ
 - ! **vælg altid "0" ved savning i materialer der let splintre**
- Laserlinje ⑯
 - for præcis savning langs den ønskede savelinjen markeret på arbejdsemnet
 - tænd/sluk laserlinje ved at trykke afbryderen G
 - før du starter på et arbejde, skal du kontrollere, at den laserlinje står på linje med den aktuelle skærelinje, ved at lave et prøvesnit på et stykke affaldsmateriale
 - ! **forsøg ikke at justere laserlinjen med skruen X da dem er forudindstillet fra fabrikken**
 - ! **advarselmærkaten A ② må ikke fjernes eller beskadiges**
- Betjening af værktøjet
 - før værktøjet tændes, skal forenden af sålen være placeret fladt imod arbejdsemnet
 - hold om værktøjet med et fast greb, således at De til enhver tid har kontrol over værktøjet
 - ! **under arbejde, hold altid om værktøjet på de grå markerede grebsområde(r) ⑰**
 - vær sikker på, at sålen ligger sikkert på hele fladen
 - ! **vær sikker på, at savklingen står fuldstændigt stille, førend De løfter værktøjet væk fra arbejdsemnet**
 - hold ventilationshullerne H ② utildækkede

GODE RÅD

- Brug rigtige savklinger ⑱
- ! **brug kun savklinger med T-skaft**
- Ved savning i metal, sørg for at smøre savklingen jævnt med olien
- Brug sidestyr J for at lave parallelsnit ⑲
- For et akkurat lige snit styr værktøjet med sålen langs kanten af et lige træstykket ⑳
- Forbør et hul i materialet, før De udfører udsnit ㉑
- Splintfri savning
 - dæk snitlinien med flere lag af bredt tape før De begynder at save
 - læg altid den næmeste side af arbejdsemnet nedad
- For flere tips se www.skil.com

VEDLIGEHODELSE/SERVICE

- Dette værktøj er ikke beregnet til professionelt brug
- Hold værktøjet og ledningen ren (især ventilationshullerne H ②)
 - ! **træk stikket ud før rensning**
- Skulle el værktøjet trods omhyggelig fabrikation og kontrol holde op med at fungere, skal reparationen udføres af et autoriseret serviceværksted for SKIL-elektroværktøj
 - send den **uskilte** værktøjet sammen med et købsbevis til forhandleren eller nærmeste SKIL serviceværksted (adresser og reservedelstegning af værktøjet findes på www.skil.com)

MILJØ

- **Elværktøj, tilbehør og emballage må ikke bortskaffes som almindeligt affald** (kun for EU-lande)
 - i henhold til det europæiske direktiv 2012/19/EF om bortskaffelse af elektriske og elektroniske produkter og gældende national lovgivning, skal brugt elværktøj indsamles separat og bortskaffes på en måde, der skåner miljøet mest muligt
 - symbolet ⑤ erindrer dig om dette, når udskiftning er nødvendig

STØJ / VIBRATION

- Måles efter EN 62841 er lydtrykniveau af dette værktøj 88 dB(A) og lydeffektniveau 99 dB(A) (standard deviation: 3 dB), og vibrationsniveauet * m/s² (vektorsum for tre retninger; usikkerhed K = 1,5 m/s²)
 - * ved savning i træ 6,7 m/s²
 - * ved savning i metal 11,4 m/s²
- Det vibrationsniveau er målt i henhold til den standardiserede test som anført i EN 62841; den kan benyttes til at sammenligne to stykker værktøj og som en foreløbig bedømmelse af udsættelsen for vibrationer, når værktøjet anvendes til de nævnte formål
 - anvendes værktøjet til andre formål eller med andet eller dårligt vedligeholdet tilbehør, kan dette **øge** udsættelsesniveauet betydeligt
 - de tidsrum, hvor værktøjet er slukket, eller hvor det kører uden reelt at udføre noget arbejde, kan **reducere** udsættelsesniveauet betydeligt
- ! **beskyt dig selv imod virkningerne af vibrationer ved at vedligeholde værktøjet og dets tilbehør,**

ved at holde dine hender varme og ved at organisere dine arbeidsmønstre

N

Stikksag

1061

INTRODUKSJON

- Dette verktøyet er beregnet til å utføre utskjæringer og kappinger i tre, kunststoff, metall, keramikkplater og gummui, og er egnet til rette snitt og kurvesnitt med en gjæringsvinkel på opp til 45°
- Dette verktøyet er ikke beregnet på profesjonell bruk
- Les og ta vare på denne brukerveiledningen ③

TEKNISKE DATA ①

VERKTØYELEMENTER ②

- A Advarselskilt ⑥
- B Bryter til av/på og turtallsregulering
- C Knapp til låsing av bryteren
- D Hjul for slagttallregulering
- E Adapter for støvsuger
- F Hendel for valg av sagmodus
- G På/av-bryter laser
- H Ventilasjonsåpninger
- J Sidestiller
- K Clic-system for sagbladbytte
- L Oppbevaring for nøkkel

SIKKERHET

GENERELLE ADVARSLER FOR ELEKTROVERKTØY

⚠ ADVARSEL Les alle sikkerhetsanvisningene, instruksjonene, illustrasjonene og spesifikasjonene som følger med dette elektroverktøyet. Manglende overholdelse av anvisningene nedenfor kan medføre elektrisk støt, brann og/eller alvorlige personskader.

Ta godt vare på alle advarslene og informasjonene.

Det nedenstående anvendte uttrykket "elektroverktøy" gjelder for strømdrevne (med ledning) og batteridrevne elektroverktøy (uten ledning).

1) SIKKERHET PÅ ARBEIDSPLASSEN

- Hold arbeidsområdet rent og ryddig.** Rotete arbeidsområder eller arbeidsområder uten lys kan føre til ulykker.
- Ikke arbeid med elektroverktøyet i eksplosjonsutsatte omgivelser – der det befinner seg brennbare væsker, gass eller støv.** Elektroverktøy lager gnister som kan antenne støv eller damper.
- Hold barn og andre personer unna når elektroverktøyet brukes.** Hvis du blir forstyrret under arbeidet, kan du miste kontrollen over elektroverktøyet.

2) ELEKTRISK SIKKERHET

- Støpselet til elektroverktøyet må passe inn i stikkkontakten. Støpselet må ikke forandres på noen**

som helst måte. Ikke bruk adapterstøpsler sammen med jordede maskiner. Bruk av støpsler som ikke er forandret på og passende stikkontakter reduserer risikoen for elektriske støt.

- Unngå kroppskontakt med jordede overflater slik som rør, ovner, komfyrer og kjøleskap.** Det er større fare ved elektriske støt hvis kroppen din er jordet.
 - Hold elektroverktøyet unna regn eller fuktighet.** Dersom det kommer vann i et elektroverktøy, øker risikoen for elektriske støt.
 - Ikke bruk ledningen til andre formål, f.eks. til å bære elektroverktøyet, henge den opp eller trekke den ut av stikkkontakten. Hold ledningen unna varme, olje, skarpe kanter eller maskindeler som beveger seg.** Med skadede eller opphopede ledninger øker risikoen for elektriske støt.
 - Når du arbeider utendørs med et elektroverktøy, må du kun bruke en skjøteledning som er godkjent til utendørs bruk.** Når du bruker en skjøteledning som er egnet for utendørs bruk, reduseres risikoen for elektriske støt.
 - Hvis det ikke kan unngås å bruke elektroverktøyet i fuktige omgivelser, må du bruke en jordfeilbryter.** Bruk av en jordfeilbryter reduserer risikoen for elektriske støt.
- ### 3) PERSONSIKKERHET
- Vær oppmerksom, pass på hva du gjør, gå fornuftig frem når du arbeider med et elektroverktøy. Ikke bruk elektroverktøyet når du er trett eller er påvirket av narkotika, alkohol eller medikamenter.** Et øyeblikks uoppmerksomhet ved bruk av elektroverktøyet kan føre til alvorlige skader.
 - Bruk personlig verneutstyr og husk alltid å bruke vernebriller.** Bruk av personlig sikkerhetsutstyr som støvmaske, sklifaste arbeidssko, hjelm eller hørselvern – avhengig av type og bruk av elektroverktøyet – reduserer risikoen for skader.
 - Unngå å starte verktøyet ved en feiltagelse. Forviss deg om at elektroverktøyet er slått av før du kobler det til strømmen og/eller batteriet, løfter det opp eller bærer det.** Hvis du holder fingeren på bryteren når du bærer elektroverktøyet eller kobler elektroverktøyet til strømmen i innkoblet tilstand, kan dette føre til uhell.
 - Fjern innstillingsverktøy eller skrunøkler før du slår på elektroverktøyet.** Et verktøy eller en nøkkel som befinner seg i en roterende maskindel, kan føre til skader.
 - Ikke overvurder deg selv. Sørg for å stå stadig og i balanse.** Dermed kan du kontrollere elektroverktøyet bedre i uventede situasjoner.
 - Bruk alltid egnede klær. Ikke bruk vide klær eller smykker.** Hold hår og klær unna deler som beveger seg. Løst sittende tøy, smykker eller langt hår kan komme inn i deler som beveger seg.
 - Hvis det kan monteres støvsug- og oppsamlingsinnretninger, må du forvise deg om at disse er tilkoblet og brukes på korrekt måte.** Bruk av et støvsug reduserer faren på grunn av støv.
 - Selv når du er blitt vant til verktøyet, må du ikke bli sløv og ignorere sikkerhetsreglene for verktøyet.** En uforsiktig handling kan forårsake alvorlig personskade i løpet av et brøkdels sekund.

4) AKTSOM HÅNDBTERING OG BRUK AV ELEKTROVERKTØY

- a) **Ikke overbelast elektroverktøyet. Bruk et elektroverktøy som er beregnet til den type arbeid du vil utføre.** Med et passende elektroverktøy arbeider du bedre og sikrere i det angitte effektområdet.
 - b) **Ikke bruk elektroverktøy med defekt på-/avbryter.** Et elektroverktøy som ikke lenger kan slås av eller på, er farlig og må repareres.
 - c) **Trekk støpselet ut av stikkkontakten og/eller fjern batteriet (hvis demonterbart) før du utfører innstillinger på elektroverktøyet, skifter tilbehørsdeler eller legger elektroverktøyet bort.** Disse tiltakene forhindrer en utilsiktet startung av elektroverktøyet.
 - d) **Elektroverktøy som ikke er i bruk må oppbevares utilgjengelig for barn. Ikke la elektroverktøyet brukes av personer som ikke er fortrolig med dette eller ikke har lest disse anvisningene.** Elektroverktøy er farlige når de brukes av uerfarne personer.
 - e) **Vær nøye med vedlikeholdet av elektroverktøyet og tilbehøret. Kontroller om bevegelige maskindeler fungerer feilfritt og ikke klemmes fast, og om deler er brukket eller skadet, slik at dette innvirker på elektroverktøyet funksjon. La skadede deler repareres før elektroverktøyet brukes.** Dårlig vedlikeholdte elektroverktøy er årsaken til mange uhell.
 - f) **Hold skjæreverktøyene skarpe og rene.** Godt stelte skjæreverktøy med skarpe skjær setter seg ikke så ofte fast og er lettere å føre.
 - g) **Bruk elektroverktøy, tilbehør, verktøy osv. i henhold til disse anvisningene. Ta hensyn til arbeidsforholdene og arbeidet som skal utføres.** Bruk av elektroverktøy til andre formål enn det som er angitt kan føre til farlige situasjoner.
 - h) **Hold håndtak og gripeflater tørre, rene og uten olje eller fett.** Glatte håndtak og gripeflater hindrer sikker håndtering og styring av verktøyet i uventede situasjoner.
- #### 5) SERVICE
- a) **Maskinen din skal alltid kun repareres av kvalifisert fagpersonale og kun med originale reservedeler.** Slik opprettholdes elektroverktøyet sikkerhet.

SIKKERHEDSINSTRUKSER FOR STIKSAVE

GENERELL

- Sjekk alltid at tilført spenningen er den samme som oppgitt på verktøyet merkeplate (verktøy som er betegnet med 230V eller 240V kan også koples til et 220V strømuttak)
- Sjekk at verktøyet er i funksjonell stand før det tas i bruk; hvis verktøyet er defekt, skal det alltid repareres av fagfolk; du må aldri åpne verktøyet selv
- **Ikke bearbeid asbestholdig material** (asbest kan fremkalle kreft)
- Verktøyet må ikke brukes av personer under 16 år
- Støynivået under arbeid kan overskride 85 dB(A); bruk hørselvern
- Bruk beskyttelsesbriller ved arbeider med material som lager flis
- Støv fra materialer som blyholdig maling, visse tresorter, mineraler og metall kan være skadelig (kontakt med eller inhalering av støv kan gi allergiske reaksjoner og/eller

sykdommer i åndedretsorganene for brukeren eller personer i nærheten); **bruk støvmaske og arbeid med støvfjerningsutstyr når det er mulig**

- Visse typer støv er klassifisert som kreftfremkallende (som f.eks. støv fra eik og bøk), spesielt sammen med tilsetningsstoffer for trebehandling; **bruk støvmaske og arbeid med støvfjerningsutstyr når det er mulig**
 - Følg de nasjonale krav, når det gjelder støv for de materialer du ønsker å arbeide med
 - Bruk helt utrullet og sikker skjøteledning med en kapasitet på 16 A
 - **Ta alltid ut kontakten før du forandrer innstillinger på sagen eller skifter tilbehør**
- #### FØR BRUK
- Rydd unna alle hindringer i arbeidsområdet før du begynner å sage
 - Ungå skade p.g.a. skruer, spiker eller andre elementer i arbeidsstykket; fjernes før man starter jobben
 - **Bruk klemmer eller andre praktiske måter å sikre og støtte arbeidsstykket til et stødig underlag** (å holde arbeidsstykket i hånden eller mot kroppen gjør det ustodig og kan føre til tap av kontroll)

UNDER BRUK

- **Hold elektroverktøyet på de isolerte gripeflatene, hvis du utføre arbeid der innsatstilbehøret kan treffe på skjulte strømledninger eller den egne strømledningen** (kontakt med en spenningsførende ledning kan også sette elektroverktøyet metalldele under spenning og føre til elektriske støt)
- **Når det tilkoblet verktøy ikke er i bruk kan det forekomme at håndtaket varmes opp; dette er vanlig og indikerer ikke et problem**
- Hold alltid kabelen borte fra bevegelige deler på verktøyet; før kabelen bakover bort fra verktøyet
- Hvis kabelen skades eller kappes under arbeid må kabelen ikke berøres, men støpselet straks trekkes ut
- Bruk ikke verktøyet dersom kabel er skadet; få den skiftet ut af en anerkendt fagmand
- I tilfelle en elektrisk eller mekanisk svikt, skal verktøyet med en gang slås av og støpslet trekkes ut
- Hold hendene unna sagbladet mens motoren er i gang

TILBEHØR

- SKIL kan kun garantere et feilfritt verktøy dersom original-tilbehør brukes
- Bruk aldri skjævt, deformert eller sløvt sagblad

BRUK

- Når verktøyet skal brukes utendørs, må det koples til en feilstrømbryter (FI) feilstrømbryter som vil kople ut på 30 mA maksimum; det skal også bare brukes skjøteledninger som er beregnet for bruk utendørs og som er utstyrt med sprutsikker stikkontakt

ETTER BRUK

- Når du setter bort verktøyet må bryteren slås av, bevegelige deler må være helt stoppet

LASERSTRÅLING

- **Ikke rett laserstrålen mot personer eller dyr**
- **Ikke se inn i laserstrålen (laserstråling)**
- Ikke bruk noen som helst forstørrende optisk anordning (som f.eks. forstørrelsesglass, teleskop eller kikkert) til å se laserstrålen
- Ikke bruk verktøyet i nærheten av brannfarlig væske, gass eller støv

- Ikke bruk verktøyet hvis det er barn i nærheten

FORKLARING AV SYMBOLER PÅ VERKTØY

- ③ Les instruksjonsboken for bruk
- ④ Dobbeltisolert (ikke nødvendig med jordingsleder)
- ⑤ Kast aldri verktøy i husholdningsavfallet
- ⑥ **Laserstråling / Ikke se inn i strålen / Laserprodukt klasse 2**

BRUK

- Av/på ⑦
- Turtallsregulering for myk-start ⑧
- Låsning av bryteren for permanent drift ⑨
- Bladbytte ⑩
- ! **sett bladet helt inn med tennene forover** ⑪
- ! **bruk kun sagblad med T-tange**
- Saging ved 15°/30°/45° ⑫
- Justering av slagtalet tilpasses til materialet ⑬
- ! **hvis verktøyet ikke går med hjulet D i stilling 1, velg en høyere slagtalet, men senk slagtalet mens verktøyet går**
- Støvsuging ⑭
 - tilkople støvsuger til adapter E
 - ! **bruk ikke støvsuger ved skjæring i metall**
- Valg av sagefunksjon ⑮
- Bruk hendel F ② for å justere pendlingen fra nøyaktig saging (= 0) till rask saging (= III)
 - 1 stilling ("0") for nøyaktig saging i alle materiale, rette snitt + kurvesnitt
 - 3 stillinger for rask saging i forskjellige materiale, kun rette snitt
 - I = metall
 - II = plastikk
 - III = hard tre
 - ! **velg alltid "0" når man sager i splint-ømfintlig materiale**
- Laserlinje ⑯
 - for å føre verktøyet langs ønskede saglinjen, markert på arbeidsstykket
 - slå på/av laserlinjen ved å trykke bryteren G
 - før sagingen begynner kontrolleres justeringen av den laserlinjen i forhold det virkelige saglinjen ved å ta et prøvekutt på et stykke avfall
 - ! **prøv ikke å justere laserlinjen med skruen X som er forhåndsinnstilt fra fabrikk**
 - ! **ikke fjern eller ødelegg advarselskiltet A** ②
- Bruk av verktøyet
 - for innkopling, pass alltid på at fotsålen av fotsåle ligger flatt på arbeidsstykket
 - hold verktøyet godt fast slik at du alltid har full kontroll over verktøyet
 - ! **under arbeid, hold verktøyet alltid i grått(gråe) grepsområde(r)** ⑰
 - forsikre deg om at fotsålen ligger sikkert på hele flaten
 - ! **forsikre deg om at bladet har stoppet helt før du løfter verktøyet fra arbeidsstykket**
 - hold ventilasjonsåpningen H ② utildekket

BRUKER TIPS

- Bruk riktig sagblad ⑱
- ! **bruk kun sagblad med T-tange**
- Ved boring i metaller, smør sagbladet regelmessig med olje

- Bruk sidestyring J for å sage parallellsnitt ⑲
- For nøyaktig rette kutt, før verktøyet med fotsålen mot kanten av et rett stykke tre ⑳
- Bor først et hull før man starter saging av utskjæringer ㉑
- Splintfri saging
 - skjærm snittlinjen med flere lager av vide tape før man starter sagingen
 - sag alltid på baksiden av materialet
- Se flere tips på www.skil.com

VEDLIKEHOLD / SERVICE

- Dette verktøyet er ikke beregnet på profesjonell bruk
- Hold alltid verktøyet og kabelen ren (spesielt ventilasjonshullene H ②)
- ! **dra ut støpelet før rengjøring**
- Hvis elektroverktøyet til rengjøring for omhyggelige produksjons- og kontrollmetoder en gang skulle svikte, må reparasjonen utføres av et autorisert serviceverksted for SKIL-elektroverktøy
 - send verktøyet i **montert** tilstand sammen med kjøpebevis til forhandleren eller nærmeste SKIL servicesenter (adresser liksom service diagram av verktøyet finner du på www.skil.com)

MILJØ

- **Kast aldri elektroverktøy, tilbehør og emballasje i husholdningsavfallet** (kun for EU-land)
 - i henhold til EU-direktiv 2012/19/EF om kasserte elektriske og elektroniske produkter og direktivets iverksetting i nasjonal rett, må elektroverktøy som ikke lenger skal brukes, samles separat og returneres til et miljøvennlig gjenvinningsanlegg
 - symbolet ⑤ er påtrykt som en påminnelse når utskifting er nødvendig

STØY / VIBRASJON

- Målt ifølge EN 62841 er lydtrykknivået av dette verktøyet 88 dB(A) og lydstyrkenivået 99 dB(A) (standard deviasjon: 3 dB), og vibrasjonsnivået \star m/s² (vektorsum fra tre retninger; usikkerhet K = 1,5 m/s²)
 - \star ved skjæring i tre 6,7 m/s²
 - \star ved skjæring i metall 11,4 m/s²
- Det avgitte vibrasjonsnivået er blitt målt i samsvar med en standardisert test som er angitt i EN 62841; den kan brukes til å sammenligne et verktøy med et annet, og som et foreløpig overslag over eksponering for vibrasjoner ved bruk av verktøyet til de oppgavene som er nevnt
 - bruk av verktøyet til andre oppgaver, eller med annet eller mangelfullt vedlikeholdt utstyr, kan gi en vesentlig **økning** av eksponeringsnivået
 - tidsrommene når verktøyet er avslått eller når det går men ikke arbeider, kan gi en vesentlig **reduksjon** av eksponeringsnivået
- ! **beskytt deg selv mot virkningene av vibrasjoner ved å vedlikeholde verktøyet og utstyret, holde hendene varme og organisere arbeidsmåten din**

ESITTELY

- Koneet on tarkoitettu suorittamaan katkaisu ja aukkosahauksia puuhun, muoviin, metalliin, keraamisiin laatoihin ja kumiin, ja soveltuu suorille ja kaareville sahauskille; kahteen suuntaan säädettävän pohjanlevyn ansiosta viistosahaukseen jopa 45° asteen kulmassa
- Tätä työkalua ei ole tarkoitettu ammattikäyttöön
- Lue ja säilytä tämä ohjekirja ③

TEKNISET TIEDOT ①

LAITTEEN OSAT ②

- A Varoitustarra ⑥
- B On/off- ja nopeudensäätökytkin
- C Kytkimen lukituksen painike
- D Sahausnopeudensäätöpyörä
- E Liitoscappale pölynimurille
- F Vipu sahaustilan valitsemista varten
- G Laserin virtakytkin
- H Ilmanvaihto-aukot
- J Sivuohjain
- K Clic-järjestelmä sahanterien vaihtoa varten
- L Säilytyspaikka avainta varten

TURVALLISUUS

YLEISET SÄHKÖTYÖKALUJEN TURVALLISUUTEEN LIITTYVÄT VAROITUKSET

VAROITUS Lue kaikki tämän sähkötyökalun mukana toimitetut varoitukset, ohjeet, kuvat ja tekniset tiedot.

Alla mainittujen ohjeiden noudattamisen laiminlyönti saattaa aiheuttaa sähköiskun, tulipalon ja/tai vakavan loukkaantumisen.

Säilytä kaikki turvallisuus- ja muut ohjeet tulevaisuutta varten.

Turvallisuusohjeissa käytetty käsite "sähkötyökalu" käsittää verkkokäyttöisiä sähkötyökaluja (verkkojohdolla) ja akkukäyttöisiä sähkötyökaluja (ilman verkkojohtoa).

1) TYÖPAIKAN TURVALLISUUS

- a) **Pidä työskentelyalue puhtaana ja hyvin valaistuna.**
Työpaikan epäjärjestys tai valaisemattomat työalueet voivat johtaa tapaturmiin.
 - b) **Älä työskentele sähkötyökalulla räjähdyksalttiissa ympäristössä, jossa on palavaa nestettä, kaasua tai pölyä.** Sähkötyökalu muodostaa kipinöitä, jotka saattavat sytyttää pölyn tai höyryt.
 - c) **Pidä lapset ja sivulliset loitolla sähkötyökalua käyttäessäsi.** Voit menettää laitteesi hallinnan, huomiosi suuntautuessa muualle.
- 2) SÄHKÖTURVALLISUUS
- a) **Sähkötyökalun pistotulpan tulee sopia pistorasiaan.** Pistotulppaa ei saa muuttaa millään tavalla. Älä käytä mitään pistorasia-adaptoreita maadoitettujen

sähkötyökalujen kanssa. Alkuperäisessä kunnossa olevat pistotulpat ja sopivat pistorasiat vähentävät sähköiskun vaaraa.

- b) **Vältä koskettamista maadoitettuja pintoja, kuten putkia, pattereita, liesiä tai jääkaappeja.** Sähköiskun vaara kasvaa, jos kehosi on maadoitettu.
 - c) **Älä aseta sähkötyökalua alttiiksi sateelle tai kosteudelle.** Veden tunkeutuminen sähkötyökalun sisään kasvattaa sähköiskun riskiä.
 - d) **Älä käytä verkkojohtoa väärin. Älä käytä sitä sähkötyökalun kantamiseen, vetämiseen tai pistotulpan irrottamiseen pistorasiasta. Pidä johto loitolla kuumuudesta, öljystä, terävistä reunoista ja liikkuvista osista.** Vahingoittuneet tai sokeutuneet johdot kasvattavat sähköiskun vaaraa.
 - e) **Käyttäessäsi sähkötyökalua ulkona, käytä ainoastaan ulkokäyttöön soveltuvaan jatkojohtoa.** Ulkokäyttöön soveltuvan jatkojohdon käyttö pienentää sähköiskun vaaraa.
 - f) **Jos sähkötyökalun käyttö kosteassa ympäristössä ei ole vältettävissä, tulee käyttää maavuotokatkaisijaa.** Maavuotokatkaisijan käyttö vähentää sähköiskun vaaraa.
- 3) HENKILÖTURVALLISUUS
- a) **Ole valpas, kiinnitä huomiota työskentelyysi ja noudata tervettä järkeä sähkötyökalua käyttäessäsi. Älä käytä sähkötyökalua, jos olet väsynyt tai huumeiden, alkoholin tai lääkkeiden vaikutuksen alaisena.** Hetken tarkkaamattomuus sähkötyökalua käytettäessä, saattaa johtaa vakavaan loukkaantumiseen.
 - b) **Käytä suojavarusteita. Käytä aina suojalaseja.** Henkilökohtaisen suojavarustuksen käyttö, kuten pölynaamarin, luistamattomien turvakenkien, suojakypärän tai kuulonsuojaimien, riippuen sähkötyökalun lajista ja käyttötavasta, vähentää loukaantumisriskiä.
 - c) **Vältä tahatonta käynnistämistä. Varmista, että sähkötyökalu on poiskytkettyä, ennen kuin liität sen sähköverkkoon ja/tai liität akun, otat sen käteen tai kannat sitä.** Jos kannat sähkötyökalua sormi käynnistyskytkimellä tai kytket sähkötyökalun pistotulpan pistorasiaan, käynnistyskytkimen ollessa käyntiasennossa, altistat itsesi onnettomuuksille.
 - d) **Poista kaikki säätötyökalut ja ruuvitaltat, ennen kuin käynnistät sähkötyökalun.** Työkalu tai avain, joka sijaitsee laitteen pyörivässä osassa, saattaa johtaa loukkaantumiseen.
 - e) **Älä yliarvioi itseäsi. Huolehdi aina tukevasta seisoma-asennosta ja tasapainosta.** Täten voit paremmin hallita sähkötyökalua odottamattomissa tilanteissa.
 - f) **Käytä tarkoitukseen soveltuvia vaatteita. Älä käytä löysiä työvaatteita tai koruja. Pidä hiukset ja vaatteet poissa liikkuvien osien ulottuvilta.** Väljät vaatteet, korut ja pitkät hiukset voivat takertua liikkuviin osiin.
 - g) **Jos pölynimu- ja keräilylaitteita voidaan asentaa, tulee sinun tarkistaa, että ne on liitetty ja että ne käytetään oikealla tavalla.** Pölynimulaitteiston käyttö vähentää pölyn aiheuttamia vaaroja.

h) Työskentele keskittyneesti ja noudata aina turvallisuusmääräyksiä. etkellinenkin huolimattomuus voi aiheuttaa vakavia vammoja.

4) SÄHKÖTYÖKALUJEN KÄYTTÖ JA HOITO

- a) Älä ylikuormita laitetta. Käytä kyseiseen työhön tarkoitettua sähkötyökäluä. Sopivaa sähkötyökäluä käyttäen työskentelet paremmin ja varmemmin tehoalueella, jolle sähkötyökälu on tarkoitettu.
- b) Älä käytä sähkötyökäluä, jota ei voida käynnistää ja pysäyttää käynnistyskytkimestä. Sähkötyökälu, jota ei enää voida käynnistää ja pysäyttää käynnistyskytkimellä, on vaarallinen ja se täytyy korjata.
- c) Irrota pistotulppa pistorasiasta ja/tai irrota akku (jos irrotettava) sähkötyökäluä, ennen kuin suoritat säätöjä, vaihdat tarvikkeita tai viet sähkötyökäluun varastoon. Nämä turvatoimenpiteet pienentävät sähkötyökäluun tahattoman käynnistysriskin.
- d) Säilytä sähkötyökälu poissa lasten ulkuvuilta, kun niitä ei käytetä. Älä anna sellaisen henkilöiden käyttää sähkötyökäluä, jotka eivät tunne sitä tai jotka eivät ole lukeneet tätä käyttöohjetta. Sähkötyökälu ovat vaarallisia, jos niitä käyttävät kokemattomat henkilöt.
- e) Pidä sähkötyökälu ja tarvikkeet hyvässä kunnossa. Tarkista, että liikkuvat osat toimivat moitteettomasti, eivätkä ole puristuksessa sekä, että siinä ei ole murtuneita tai vahingoittuneita osia, jotka saattaisivat vaikuttaa haitallisesti sähkötyökäluun toimintaan. Anna korjauttaa mahdolliset viat ennen käyttöönottoa. Monen tapaturman syyt löytyvät huonosti huolletuista laitteista.
- f) Pidä leikkausterät terävinä ja puhtaina. Huolellisesti hoidetut leikkaustyökälu, joiden leikkausreunat ovat teräviä, eivät tartu helposti kiinni ja niitä on helpompi hallita.
- g) Käytä sähkötyökäluja, tarvikkeita, vaihtotyökäluja jne. näiden ohjeiden mukaisesti. Ota tällöin huomioon työolosuhteet ja suoritettava toimenpide. Sähkötyökäluun käyttö muuhun kuin sille määrättyyn käyttöön, saattaa johtaa vaarallisiin tilanteisiin.
- h) Pidä kahvat ja kädensijat kuivina ja puhtaina (öljyttöminä ja rasvattomina). Jos kahvat ja kädensijat ovat liukkaita, et pysty yllättävissä tilanteissa ohjaamaan ja hallitsemaan työkalua turvallisesti.

5) HUOLTO

- a) Anna koulutettujen ammattihenkilöiden korjata sähkötyökäluasi ja hyväksy korjauksiin vain alkuperäisiä varaosia. Täten varmistat, että sähkötyökälu säilyy turvallisena.

PISTOSAHAN TURVALLISUUSOHJEET

YLEISTÄ

- Tarkista aina, että syöttöjännite on sama kuin työkalun nimiltaan osoittama jännite (työkälu, joiden jännitetaso on 230V tai 240V, voidaan kytkeä myös 220V tason jännitteeseen)
- Tarkista työkalun toiminta aina ennen sen käyttöä ja mahdollisen vian löytyessä anna se välittömästi ammattitaitoisen henkilön korjattavaksi; älä koskaan itse avaa työkalua
- Älä koskaan työstä asbestipitoista ainetta (asbestia pidetään karsinogeenisena)

- Tätä työkalua saavat käyttää vain 16 vuotta täyttäneet henkilöt
 - Työskennellessä melutaso saattaa ylittää 85 dB(A); jolloin suositellaan kuulosuojaimien käyttöä
 - Työstettäessä on käytettävä soujalaseja
 - Materiaaleista, kuten liiyyipitoinen maali, jotkut puulajit, mineraalit ja metalli, tuleva pöly voi olla vahingollista (kosketuksiin joutuminen pölyn kanssa tai sen sisään hengittäminen voi aiheuttaa käyttäjälle tai sivustakatojille allergiareaktioita ja/tai hengitysvaivoja); **käytä polynaamaria ja työskentele pölynpoistolaitteen kanssa, kun sellainen on liitettävissä**
 - Tietyntyyppiset pölyt on luokiteltu karsinogeenisiksi (kuten tammi- ja pyökkipöly) erityisesti puun käsittelyyn käytettävien lisäaineiden yhteydessä; **käytä polynaamaria ja työskentele pölynpoistolaitteen kanssa, kun sellainen on liitettävissä**
 - Noudata maakohtaisia pölyyn liittyviä säätöjä
 - Käytä täysin rullaamattomia ja turvallisia jatkejohtoja, joiden kapasiteetti on 16 ampeeria
 - Irrota aina pistotulppa pistorasiasta, ennen kuin suoritat laitteelle mitään säätöjä tai vaihdat tarviketta
- #### ENNEN KÄYTTÖÄ
- Poista kaikki esteet sahauslinjan ylä- ja alapuolelta ennen sahausta
 - Vältä vaaralliset vahingot, jotka voivat aiheutua nauloista, ruuveista tai muista aineista työstettävässä materiaalissa; poista ne ennen työskentelyä aloittamista
 - Tue työstettävä kappale tukevaan tasoon puristimilla tai muulla käytännöllisellä tavalla (kappaleen pitäminen käsin tai kehoa vasten on epävakaata ja voi aiheuttaa hallinnan menetyksen)

KÄYTÖN AIKANA

- Tartu sähkötyökäluun ainoastaan eristetyistä pinnoista, tehdeksäsi työtä, jossa vaihtotyökälu saattaisi osua piilossa olevaan sähköjohtoon tai sähkötyökäluun omaan sähköjohtoon (kosketus jännitteeseen johtoon voi saattaa sähkötyökäluun metalliosat jännitteisiksi ja johtaa sähköiskuun)
- Kun työkalu on kytketty virtalähteeneseen vaikka se ei ole käytössä, voi kahva lämmentä; tämä on normaalia eikä merkki mistään ongelmasta
- Pidä johto aina poissa työkalun liikkuvien osien läheisyydestä; kohdista johto takaosaan kohti pois työkalusta
- Jos sähköjohto vahingoittuu tai katkeaa työn aikana ei johtoa saa koskettaa, vaan pistotulppa on välittömästi irrotettava pistorasiasta
- Älä käytä työkalua, kun johto on vioittunut; vaan toimita se valtuutettuun huoltooliikkeeseen
- Jos huomaat sähköisen tai mekaanisen vian, sammuta kone heti ja irrota liitosjohto pistorasiasta
- Pidä kädet etäällä pyöriävästä sahanterästä

VARUSTEET

- SKIL pystyy takaamaan työkalun moitteettoman toiminnan vain, kun käytetään alkuperäisiä tarvikkeita
- Älä käytä rikkinaistia, työssä tai vääntynyttä sahanterää

KÄYTTÖ ULKOTILASSA

- Ulkotilassa käytettäessä liitä työkalu vikavirran (FI) piirikatkaisimen kautta laukaisuvirtaan, jonka maksimi on 30 mA ka; käytä vain sellaista jatkejohtoa, joka on tarkoitettu ulkotilassa käytettäväksi ja varustettu roiskevedenpitävällä kytkentäliittimellä

KÄYTÖN JÄLKEEN

- Kun panet koneen pois, sammuta moottori ja varmista, että kaikki liikkuvat osat ovat pysähtyneet

LASERSÄTEILY

- **Älä kohdistaa lasersädettä suoraan henkilöihin tai elämiin**
- **Älä katso suoraan lasersäteeseen (lasersäteily)**
- Älä käytä optisia suurennuslaitteita (kuten suurennuslasit, teleskoopit tai kiikarit) lasersäteen katsomiseksi
- Älä käytä työkalua ympäristössä, jossa on syttyviä nesteitä, kaasuja tai pölyä
- Älä käytä työkalua lasten ollessa lähettyvillä

TYÖKALUN SYMBOLIEN SELITYKSET

- ③ Lue käyttöohjeet ennen käyttöä
- ④ Kaksoiseristys (ei tarvita maajohtoa)
- ⑤ Älä hävitä konettasi tavallisen kotitalousjätteen mukana
- ⑥ **Lasersäteily / Älä katso suoraan säteeseen / Luokan 2 lasertuote**

KÄYTTÖ

- Käynnistys/pysäytys ⑦
- Nopeudensäätö tasaista käynnistystä varten ⑧
- Kytkimen lukitseminen jatkuva käyttöä varten ⑨
- Sahanterien vaihto ⑩
- ! **työnnä terä aivan pohjaan; hampaiden on osoitettava eteenpäin ⑪**

- ! **käytä vain T-vartiset sahanteriä**
- Sahaus 15°/30°/45° kulmassa ⑫
- Sahausnopeuden säätö käytettävään materiaaliin nähden ⑬
- ! **jos työkalu ei aja pyörän D ollessa asennossa 1, valitse korkeampi sahausnopeus ja alenna sahausnopeutta työkalun ajon aikana**

- Pölynimi ⑭
- liitä pölynimuri liitokappaleeseen E
- ! **älä käytä pölynimuria kun sahaat metalleja**
- Sahaustilan valinta ⑮
- Väännä vipusta F ② heiluritoiminto nopeaa sahausta varten (0 - III)

- 1 asento ("0") antamaan tarkka katkaisusahaus kaikissa materiaaleissa, suoria + kaarevia
- 3 asentoa antamaan nopea katkaisusahaus eri materiaaleissa, vain suoria
- I = metalli
- II = muovi
- III = kova puu

- ! **valitse aina toiminnoksi "0" helposti repeytyviä materiaaleja sahattaessa**

- Laserlinjaa ⑯
- ohjaa sahaa haluttua sahauslinjaa pitkin, joka on merkitty työkappaleeseen
- käynnistä/sammuta laserlinjojen painamalla kytkintä G
- ennen kuin aloitat, tarkasta laserlinjojen suunta todelliseen sahauslinjaan nähden tekemällä koehaasun jättemateriaaliin

- ! **älä yritä säätää laserlinjojen ruuvia X, joka on säädetty tehtaalla**
- ! **älä poista äläkä tarvele varoitustarroja A ②**

- Työkalun käyttö
- ennen koneen käynnistystä varmista aina, että etuosa lepää etusivu tukeaa tasaisesti työkappaleen päällä
- pidä konetta tukevalla otteella niin, että hallitset koneen täydellisesti koko ajan

- ! **pidä työkalusta kiinni aina työskentelyn aikana harmaan värisestä kädensija(oi)sta ⑰**

- varmista, että aikana tulee tukea koko pinnaltaan työkappaleeseen

- ! **varmista, että terä on täysin pysähtynyt, ennen kuin irrotat sen työkappaleesta**

- pidä ilmanvaihto-aukkoja H ② peittämättöminä

VINKKEJÄ

- Käytä oikeita sahanteriä ⑱
- ! **käytä vain T-vartiset sahanteriä**
- Metallia sahattaessa voitele sahanteriä öljyllä säännöllisin väliajoin
- Käytä suuntaisohjainta J samansuuntaisten kappaleiden sahauskessa ⑲
- Tarkan ja suoran katkaisusahaoksen saamiseksi ohjaa työkalua jalkalaatalla suorareunaisen puupalasen reunaa pitkin ⑳
- Poraa alkureikä ennen aukkojen sahaamista ㉑
- Repeämätön katkaisusahaus
 - peitä sahauslinja useilla kerroksilla teippiä ennen sahausksen suorittamista
 - aseta työstettävänä olevan kappaleen hyvä puoli aina alaspäin
- Lisävinkkejä on tarjolla web-osoitteessa www.skil.com

HOITO / HUOLTO

- Tätä työkalua ei ole tarkoitettu ammattikäyttöön
- Pidä työkalu ja johto puhtaina (varmista erityisesti ilma-aukkojen puhdistus H ②)
- ! **irrota liitosjosto aina puhdistuksen ajaksi pistorasiasta**
- Jos sähkötyökalussa, huolellisesta valmistuksesta ja koestusmenettelystä huolimatta esiintyy vikaa, tulee korjaus antaa SKIL sopimushuollon tehtäväksi
 - toimita työkalu sitä osiin **purkamatta** lähimpään SKIL-huoltoon (osoitteet ja työkalun huoltokaava ovat tarjolla web-osoitteessa www.skil.com) ostotodiste mukaan liitettynä

YMPÄRISTÖNSUOJELU

- **Älä hävitä sähkötyökalua, tarvikkeita tai pakkausta tavallisen kotitalousjätteen mukana** (koskee vain EU-maita)
- vanhoja sähkö- ja elektroniikkalaitteita koskevan EU-direktiivin 2012/19/ETY ja sen maakohtaisten sovellusten mukaisesti käytetyt sähkötyökalut on toimitettava ongelmajätteen keräyspisteeseen ja ohjattava ympäristöystävälliseen kierrätykseen
- symboli ⑥ muistuttaa tästä, kun käytöstä poisto tulee ajankohtaiseksi

MELU / TÄRINÄ

- Mitattuna EN 62841 mukaan työkalun melutaso on 88 dB(A) ja yleensä työkalun äänen voimakkuus on 99 dB(A) (keskihajonta: 3 dB), ja värinän voimakkuus
 - * m/s^2 (kolmen suunnan vektorisumma; epävarmuus $K = 1,5 m/s^2$)
 - * puun sahattaessa 6,7 m/s^2
 - * metallin sahattaessa 11,4 m/s^2

- Tärinäsäteilytaso on mitattu standardin EN 62841 mukaisen standarditestin mukaisesti; sitä voidaan käyttää verrattaessa yhtä laitetta toiseen sekä alustavana tärinälle altistumisen arviona käytettäessä laitetta manituissa käyttötarkoituksissa
- laitteen käyttö eri käyttötarkoituksiin tai erilaisten tai huonosti ylläpidettyjen lisälaitteiden kanssa voi **lisätä** merkittävästi altistumistasoa
- laitteen ollessa sammuksissa tai kun se on käynnissä, mutta sillä ei tehdä työtä, altistumistaso voi olla huomattavasti **pienempi**
- ! **suojaudu tärinän vaikutuksilta ylläpitämällä laite ja sen lisävarusteet, pitämällä kädet lämpiminä ja järjestämällä työmenetelmät**

E

Sierra caladora

1061

INTRODUCCIÓN

- Esta herramienta ha sido proyectada para efectuar cortes y recortes en madera, materiales sintéticos, planchas cerámicas y caucho, y es adecuada para efectuar cortes rectos y en curva con ángulos de inglete hasta 45°
- Esta herramienta no está concebida para uso profesional
- Lea y conserve este manual de instrucciones ③

DATOS TÉCNICOS ①

ELEMENTOS DE LA HERRAMIENTA ②

- A Etiqueta de advertencia ⑥
- B Interruptor para encendido/apagado y control de velocidad
- C Botón para bloquear el interruptor
- D Rueda para ajustar el número de carreras
- E Extensión para el aspirador
- F Palanca para seleccionar el modo de aserrado
- G Interruptor para activar/desactivar láser
- H Ranuras de ventilación
- J Guía paralela
- K Sistema Clic para cambiar las hojas de sierra
- L Alojamiento para la llave

SEGURIDAD

ADVERTENCIAS DE PELIGRO GENERALES PARA HERRAMIENTAS ELÉCTRICAS

⚠ ADVERTENCIA Lea íntegramente las advertencias de peligro, las instrucciones, las ilustraciones y las especificaciones entregadas con esta herramienta eléctrica. En caso de no atenerse a las instrucciones siguientes, ello puede ocasionar una descarga eléctrica, un incendio y/o una lesión grave.

Guardar todas las advertencias de peligro e instrucciones para futuras consultas.

El término "herramienta eléctrica" empleado en las siguientes advertencias de peligro se refiere a herramientas

eléctricas de conexión a la red (con cable de red) y a herramientas eléctricas accionadas por acumulador (o sea, sin cable de red).

1) SEGURIDAD DEL PUESTO DE TRABAJO

- a) **Mantenga limpia y bien iluminada su área de trabajo.** El desorden o una iluminación deficiente en las áreas de trabajo pueden provocar accidentes.
- b) **No utilice la herramienta eléctrica en un entorno con peligro de explosión, en el que se encuentren combustibles líquidos, gases o material en polvo.** Las herramientas eléctricas producen chispas que pueden llegar a inflamar los materiales en polvo o vapores.
- c) **Mantenga alejados a los niños y otras personas de su área de trabajo al emplear la herramienta eléctrica.** Una distracción le puede hacer perder el control sobre la herramienta.

2) SEGURIDAD ELÉCTRICA

- a) **El enchufe de la herramienta eléctrica debe corresponder a la toma de corriente utilizada. No es admisible modificar el enchufe en forma alguna. No emplear adaptadores en herramientas eléctricas dotadas con una toma de tierra.** Los enchufes sin modificar adecuados a las respectivas tomas de corriente reducen el riesgo de una descarga eléctrica.
- b) **Evite que su cuerpo toque partes conectadas a tierra como tuberías, radiadores, cocinas y refrigeradores.** El riesgo a quedar expuesto a una descarga eléctrica es mayor si su cuerpo tiene contacto con tomas de tierra.
- c) **No exponga las herramientas eléctricas a la lluvia o a condiciones de humedad.** Existe el peligro de recibir una descarga eléctrica si penetran líquidos en la herramienta eléctrica.
- d) **No utilice el cable de red para transportar o colgar la herramienta eléctrica, ni tire de él para sacar el enchufe de la toma de corriente. Mantenga el cable de red alejado del calor, aceite, esquinas cortantes o piezas móviles.** Los cables de red dañados o enredados pueden provocar una descarga eléctrica.
- e) **Al trabajar con la herramienta eléctrica en la intemperie utilice solamente cables de prolongación homologados para su uso en exteriores.** La utilización de un cable de prolongación adecuado para su uso en exteriores reduce el riesgo de una descarga eléctrica.
- f) **Si el funcionamiento de una herramienta eléctrica en un lugar húmedo fuese inevitable, utilice un cortacircuito de fuga a tierra.** El uso de un cortacircuito de fuga a tierra reduce el riesgo de descarga eléctrica.

3) SEGURIDAD DE PERSONAS

- a) **Esté atento y emplee la herramienta eléctrica con prudencia. No utilice la herramienta eléctrica si estuviese cansado, ni bajo los efectos de alcohol, drogas o medicamentos.** El no estar atento durante el uso de una herramienta eléctrica puede provocarle serias lesiones.
- b) **Utilice un equipo de protección personal y en todo caso unas gafas de protección.** El riesgo a lesionarse se reduce considerablemente si, dependiendo del tipo y

la aplicación de la herramienta eléctrica empleada, se utiliza un equipo de protección adecuado como una mascarilla antipolvo, zapatos de seguridad con suela antideslizante, casco, o protectores auditivos.

- c) **Evite una puesta en marcha fortuita. Asegurarse de que la herramienta eléctrica esté desconectada antes de conectarla a la toma de corriente y/o al montar el acumulador, al recogerla, y al transportarla.** Si transporta la herramienta eléctrica sujetándola por el interruptor de conexión/desconexión, o si introduce el enchufe en la toma de corriente con la herramienta eléctrica conectada, ello puede dar lugar a un accidente.
- d) **Retire las herramientas de ajuste o llaves fijas antes de conectar la herramienta eléctrica.** Una herramienta o llave colocada en una pieza rotativa puede producir lesiones graves al accionar la herramienta eléctrica.
- e) **Sea precavido. Trabaje sobre una base firme y mantenga el equilibrio en todo momento.** Ello le permitirá controlar mejor la herramienta eléctrica en caso de presentarse una situación inesperada.
- f) **Lleve puesta una vestimenta de trabajo adecuada. No utilice vestimenta amplia ni joyas. Mantenga su pelo y vestimenta alejados de las piezas móviles.** La vestimenta suelta, las joyas y el pelo largo se pueden enganchar con las piezas en movimiento.
- g) **Siempre que sea posible utilizar equipos de aspiración o captación de polvo, asegúrese que éstos estén montados y que sean utilizados correctamente.** El empleo de estos equipos reduce los riesgos derivados del polvo.
- h) **No permita que la familiaridad ganada por el uso frecuente de la herramienta eléctrica lo deje creer seguro e ignorar las normas de seguridad.** Una acción negligente puede causar lesiones graves en una fracción de segundo.

4) CUIDADO Y UTILIZACIÓN DE HERRAMIENTAS ELÉCTRICAS

- a) **No sobrecargue la herramienta eléctrica. Use la herramienta eléctrica prevista para el trabajo a realizar.** Con la herramienta eléctrica adecuada podrá trabajar mejor y con mayor seguridad dentro del margen de potencia indicado.
- b) **No utilice herramientas eléctricas con un interruptor defectuoso.** Las herramientas eléctricas que no se puedan conectar o desconectar son peligrosas y deben repararse.
- c) **Saque el enchufe de la red y/o retire el acumulador desmontable de la herramienta eléctrica, antes de realizar un ajuste, cambiar de accesorio o al guardar la herramienta eléctrica.** Esta medida preventiva reduce el riesgo de conectar accidentalmente la herramienta eléctrica.
- d) **Guarde las herramientas eléctricas fuera del alcance de los niños y de las personas que no estén familiarizadas con su uso.** Las herramientas eléctricas utilizadas por personas inexpertas son peligrosas.
- e) **Cuide la herramienta eléctrica y los accesorios con esmero. Controle si funcionan correctamente, sin atascarse, las partes móviles de la herramienta eléctrica, y si existen partes rotas o deterioradas que pudieran afectar al funcionamiento de la**

herramienta eléctrica. Si la herramienta eléctrica estuviese defectuosa haga repararla antes de volver a utilizarla. Muchos de los accidentes se deben a herramientas eléctricas con un mantenimiento deficiente.

- f) **Mantenga los útiles limpios y afilados.** Los útiles mantenidos correctamente se dejan guiar y controlar mejor.
- g) **Utilice herramientas eléctricas, accesorios, útiles, etc. de acuerdo con estas instrucciones, teniendo en cuenta las condiciones de trabajo y la tarea a realizar.** El uso de herramientas eléctricas para trabajos diferentes de aquellos para los que han sido concebidas puede resultar peligroso.
- h) **Mantenga las empuñaduras y las superficies de las empuñaduras secas, limpias y libres de aceite y grasa.** Las empuñaduras y las superficies de las empuñaduras resbaladizas no permiten un manejo y control seguro de la herramienta eléctrica en situaciones imprevistas.
- 5) **SERVICIO**
- a) **Únicamente haga reparar su herramienta eléctrica por un profesional, empleando exclusivamente piezas de repuesto originales.** Solamente así se mantiene la seguridad de la herramienta eléctrica.

INSTRUCCIONES DE SEGURIDAD PARA SIERRAS DE CALAR

GENERAL

- Compruebe siempre que la tensión de alimentación es la misma que la indicada en la placa de características de la herramienta (las herramientas de 230V o 240V pueden conectarse también a 220V)
- Compruebe el funcionamiento de la herramienta cada vez que vaya a utilizarla; en el caso de que presentara algún defecto, llévelo a una persona cualificada para que lo repare; no abra nunca la herramienta
- **No trabaje materiales que contengan amianto** (el amianto es cancerígeno)
- Esta herramienta no debe utilizarse por personas menores de 16 años
- El nivel de ruido, con la herramienta trabajando, podrá sobrepasar 85 dB(A); usar protectores auditivos
- Al procesar materiales que producen viruta, usar anteojos de protección
- El polvo del material, como por ejemplo la pintura que contiene plomo, algunas especies de madera, minerales y metal podrían ser dañinos (el contacto o inhalación del polvo podría producir reacciones alérgicas y/o trastornos respiratorios al operador u otras personas cerca); **utilice una máscara contra el polvo y trabaje con un dispositivo de extracción de polvo cuando lo conecte**
- Ciertos tipos de polvo están catalogados como cancerígenos (por ejemplo el polvo de roble y de haya) especialmente junto con aditivos para el acondicionamiento de la madera; **utilice una máscara contra el polvo y trabaje con un dispositivo de extracción de polvo cuando lo conecte**
- Siga la normativa nacional en cuanto a extracción de polvo, en función de los materiales que vayan a ser utilizados

- Utilice cables de extensión seguros y completamente desenrollados con una capacidad de 16 amperios
- **Desenchufar siempre la herramienta antes de realizar cualquier ajuste o cambiar algún accesorio**

ANTES DEL USO

- Antes de empezar a cortar, aparte todos los obstáculos que haya encima y debajo de la línea de corte
- Evite los daños que puedan causar los tornillos, clavos y otros objetos sobre la pieza de trabajo; retírelos antes de empezar a trabajar
- **Utilice abrazaderas u otro sistema práctico para asegurar y soportar la pieza de trabajo en una plataforma estable** (si la sujeta con la mano o contra el cuerpo, queda inestable y puede perder el control sobre ella)

DURANTE EL USO

- **Sujete la herramienta eléctrica por las superficies de agarre aisladas al realizar trabajos en los que el accesorio pueda tocar conductores eléctricos ocultos o el propio cable** (el contacto con conductores bajo tensión puede hacer que las partes metálicas de la herramienta eléctrica le provoquen una descarga eléctrica)
- **Si está enchufada, pero no en uso, la empuñadura de la herramienta puede calentarse; esto es normal y no representa un problema**
- Mantenga siempre el cable lejos de las partes móviles de la herramienta; mantenga el cable detrás de usted, lejos de la herramienta
- Si llega a dañarse o cortarse el cable eléctrico durante el trabajo, no tocar el cable, sino extraer inmediatamente el enchufe de la red
- No utilizar la herramienta cuando el cable esté dañado; hágalo cambiar por una persona calificada
- En el caso de que se produjera un mal funcionamiento eléctrico o mecánico, apague inmediatamente la herramienta y desconecte el enchufe
- Aparte las manos de la hoja de sierra durante la siega

ACCESORIOS

- SKIL únicamente puede garantizar un funcionamiento correcto de la herramienta al emplear accesorios originales
- No utilice nunca hojas rotas, desformadas o desgastadas

USO EXTERIOR

- Cuando utilice la herramienta en el exterior, enchúfela a través del interruptor de la corriente (FI) con un interruptor diferencial de 30 mA como máximo; sólo utilice un cable de extensión apropiado para su uso en el exterior y equipado con un enchufe a prueba de salpicaduras

DESPUÉS DEL USO

- Ponga atención al guardar su herramienta de que el motor está apagado y las partes móviles están parados

RADIACIÓN LÁSER

- **No apunte el rayo láser a personas o animales**
- **No mire al rayo láser o (radiación láser)**
- No utilice herramientas ópticas de aumento (como lupas, telescopios o binoculares) para ver el rayo láser
- No haga funcionar la herramienta en la presencia de líquidos inflamables, gases o polvo
- No haga funcionar la herramienta si hay niños cerca

EXPLICACIÓN DE LOS SÍMBOLOS DE LA HERRAMIENTA

- ③ Lea el manual de instrucciones antes de utilizarla
- ④ Doble aislamiento (no requiere cable de tierra)
- ⑤ No deseche la herramienta junta con los residuos domésticos
- ⑥ **Radiación láser / No mire al rayo / Producto láser clase 2**

USO

- Encendido/apagado ⑦
- Control de velocidad para un arranque suave ⑧
- Bloqueo del interruptor para uso permanente ⑨
- Cambio de la hoja de sierra ⑩
- ! **insertar la hoja hasta el fondo con los dientes mirando hacia delante** ⑪
- ! **utilice únicamente hojas de sierra con inserción T**
- Corte a 15°/30°/45° ⑫
- Ajuste del número de carreras según el material usado ⑬
- ! **si la herramienta no funciona con la ruda D en la posición 1, seleccione un número de carreras más alto y reduzca el número mientras la herramienta funciona**
- Aspiración de polvo ⑭
 - monte el aspirador a la extensión E
 - ! **no utilizar el aspirador al cortar metales**
- Selección del modo de sierra ⑮
 - Utilice la palanca F ② para ajustar el mecanismo pendular del corte preciso (= 0) hasta el corte rápido (= III)
 - 1 posición ("0") para el corte preciso en todos los materiales, recto + en curva
 - 3 posiciones para el corte rápido en diferentes materiales, solamente recto
 - I = metal
 - II = plástico
 - III = madera dura
 - ! **seleccione siempre la posición "0" cuando se cortan materiales que producen astillas**
- Línea láser ⑯
 - para guiar la herramienta a lo largo de la línea de corte deseada, márquela en la pieza de trabajo
 - ponga en marcha/pare la línea láser apretando el interruptor G
 - antes de empezar un trabajo, compruebe la alineación de la línea láser con la línea actual de corte para realizar un corte de prueba en la pieza de desecho
 - ! **no intente ajustar la línea láser con el tornillo X que va pre-ajustado de fábrica**
 - ! **no retire ni dañe la etiqueta de advertencia A** ②
- Utilización de la herramienta
 - antes de poner en marcha la herramienta, asegúrese de que la parte delantera de la pata esté tendida sobre la pieza a trabajar
 - sujete la herramienta firmemente con ambas manos, de modo que tenga pleno control sobre ella todo el tiempo
 - ! **durante el trabajo, sujete siempre la herramienta por la(s) zona(s) de empuñadura de color gris** ⑰
 - asegúrese que la pata esté apoyada de manera que asiente firmemente en toda su superficie

! asegurese que la hoja esté completamente parada antes de que la levante de la pieza a trabajar

- mantenga las ranuras de ventilación H ② descubiertas

CONSEJOS DE APLICACIÓN

- Utilice las hojas de sierra adecuadas ⑱
- ! **utilice únicamente hojas de sierra con inserción T**
- Al cortar metales, engrase la hoja de sierra regularmente con aceite
- Utilice la guía paralela J para practicar cortes paralelos ⑲
- Para un corte preciso y recto, guíe la herramienta con la placa base a lo largo del borde de una pieza recta de madera ⑳
- Pretaladre antes un agujero antes de efectuar recortes ㉑
- Corte sin astillas
 - tape la línea de corte con varias capas de cinta de papel engomado ancho antes de cortar
 - ponga siempre el lado bueno de la pieza de trabajo hacia abajo
- Para más consejos vea www.skil.com

MANTENIMIENTO / SERVICIO

- Esta herramienta no está concebida para uso profesional
- Mantenga limpio el cable eléctrico y la herramienta (sobre todo las ranuras de ventilación H ②)
- ! **desenchufar la herramienta antes de limpiar**
- Si a pesar de los esmerados procesos de fabricación y control, la herramienta llegase a averiarse, la reparación deberá encargarse a un servicio técnico autorizado para herramientas eléctricas SKIL
 - envíe la herramienta **sin desmontar** junto con una prueba de su compra a su distribuidor o a la estación de servicio más cercana de SKIL (los nombres así como el despiece de piezas de la herramienta figuran en www.skil.com)

AMBIENTE

- **No deseche las herramientas eléctricas, los accesorios y embalajes junto con los residuos domésticos** (sólo para países de la Unión Europea)
 - de conformidad con la Directiva Europea 2012/19/CE sobre residuos de aparatos eléctricos y electrónicos y su aplicación de acuerdo con la legislación nacional, las herramientas eléctricas cuya vida útil haya llegado a su fin se deberán recoger por separado y trasladar a una planta de reciclaje que cumpla con las exigencias ecológicas
 - símbolo ⑤ llamará su atención en caso de necesidad de tirarlas

RUIDOS / VIBRACIONES

- Medido según EN 62841 el nivel de la presión acústica de esta herramienta se eleva a 88 dB(A) y el nivel de la potencia acústica a 99 dB(A) (desviación estándar: 3 dB), y la vibración a * m/s² (suma vectorial de tres direcciones; incertidumbre K = 1,5 m/s²)
 - * al cortar madera 6,7 m/s²
 - * al cortar metales 11,4 m/s²

- El nivel de emisión de vibraciones ha sido medido según una prueba estándar proporcionada en EN 62841; puede utilizarse para comparar una herramienta con otra y como valoración preliminar de la exposición a las vibraciones al utilizar la herramienta con las aplicaciones mencionadas

- al utilizarla para distintas aplicaciones o con accesorios diferentes o con un mantenimiento deficiente, podría **aumentar** de forma notable el nivel de exposición
- en las ocasiones en que se apaga la herramienta o cuando está funcionando pero no está realizando ningún trabajo, se podría **reducir** el nivel de exposición de forma importante

! **protéjase contra los efectos de la vibración realizando el mantenimiento de la herramienta y sus accesorios, manteniendo sus manos calientes y organizando sus patrones de trabajo**



P

Serra vertical

1061

INTRODUÇÃO

- Esta ferramenta é determinada para realizar cortes em madeira, plástico, metal, placas de cerâmica e borracha, ed é apropriada para cortes retos e curvados com ângulos de chanfradura até 45°
- Esta ferramenta não se destina a utilização profissional
- Leia e guarde este manual de instruções ③

DADOS TÉCNICOS ①

ELEMENTOS DA FERRAMENTA ②

- A Etiqueta de aviso ⑥
- B Interruptor para ligar/desligar e regulação da velocidade
- C Botão de fixação do interruptor
- D Roda para ajuste do número de cursos
- E Extensão do aspirador
- F Alavanca para selecção do modo de corte
- G Interruptor para ligar/desligar laser
- H Aberturas de ventilação
- J Guia paralela
- K Sistema Clic para substituição de lâminas
- L Alojamento da chave

SEGURANÇA

INDICAÇÕES GERAIS DE SEGURANÇA PARA FERRAMENTAS ELÉTRICAS

! **ATENÇÃO** Devem ser lidas todas as indicações de segurança, instruções, ilustrações e especificações desta ferramenta eléctrica. O desrespeito das instruções

apresentadas abaixo pode causar choque elétrico, incêndio e/ou graves lesões.

Guarde bem todas as advertências e instruções para futura referência.

O termo "ferramenta eléctrica" utilizado a seguir nas indicações de advertência, refere-se a ferramentas eléctricas operadas com corrente de rede (com cabo de rede) e a ferramentas eléctricas operadas com acumulador (sem cabo de rede).

1) SEGURANÇA DA ÁREA DE TRABALHO

- a) **Mantenha a sua área de trabalho limpa e arrumada.** Desordem ou áreas de trabalho com fraca iluminação podem causar acidentes.
- b) **Não trabalhar com a ferramenta eléctrica em áreas com risco de explosão, nas quais se encontrem líquidos, gases ou pós inflamáveis.** Ferramentas eléctricas produzem faíscas que podem provocar a ignição de pó e vapores.
- c) **Mantenha crianças e outras pessoas afastadas da ferramenta eléctrica durante o trabalho com a ferramenta.** Distrações podem causar a falta de controle sobre o aparelho.

2) SEGURANÇA ELÉTRICA

- a) **A ficha da ferramentas eléctricas devem caber na tomada. A ficha não deve ser modificada de modo algum. Não utilize quaisquer fichas de adaptação junto com ferramentas eléctricas ligadas à terra.** Fichas sem modificações e tomadas adequadas reduzem o risco de choques eléctricos.
- b) **Evite que o corpo entre em contacto com superfícies ligadas à terra, como por exemplo tubos, radiadores, fogões e geladeiras.** Há um risco elevado de choques eléctricos, caso o corpo for ligado à terra.
- c) **A ferramenta eléctrica não deve ser exposta à chuva nem humidade.** A penetração de água na ferramenta eléctrica aumenta o risco de choques eléctricos.
- d) **O cabo do aparelho não deve ser utilizado para o transporte, para pendurar o aparelho, nem para puxar a ficha da tomada. Mantenha o cabo afastado de calor, óleo, cantos afiados ou partes em movimento do aparelho.** Cabos danificados ou torcidos aumentam o risco de choques eléctricos.
- e) **Ao trabalhar com a ferramenta eléctrica ao ar livre, use um cabo de extensão apropriado para áreas externas.** O uso de um cabo apropriado para áreas externas reduz o risco de choques eléctricos.
- f) **Se não for possível evitar o funcionamento da ferramenta eléctrica em áreas húmidas, deverá ser utilizado um disjuntor de corrente de avaria.** A utilização de um disjuntor de corrente de avaria reduz o risco de um choque elétrico.

3) SEGURANÇA DE PESSOAS

- a) **Esteja alerta, observe o que está a fazer, e tenha prudência ao trabalhar com a a ferramenta eléctrica. Não use a ferramenta eléctrica se estiver fatigado ou sob a influência de drogas, álcool ou medicamentos.** Um momento de falta de atenção

durante a operação da ferramenta eléctrica pode causar graves lesões.

- b) **Utilizar equipamento de protecção pessoal e sempre óculos de protecção.** A utilização de equipamento de protecção pessoal, como máscara de protecção contra pó, sapatos de segurança antiderrapantes, capacete de segurança ou protecção auricular, de acordo com o tipo e aplicação da ferramenta eléctrica, reduz o risco de lesões.
 - c) **Evitar uma colocação em funcionamento involuntária. Assegure se de que a ferramenta eléctrica esteja desligada, antes de conectá-la à alimentação de rede e/ou ao acumulador, antes de levantá-la ou de transportá-la.** Se tiver o dedo no interruptor ao transportar a ferramenta eléctrica ou se o aparelho for conectado à alimentação de rede enquanto estiver ligado, poderão ocorrer acidentes.
 - d) **Remover chaves de ajustes ou chaves de fenda, antes de ligar a ferramenta eléctrica.** Uma chave de fenda ou chave de ajuste que se encontre numa parte móvel do aparelho, pode levar a lesões.
 - e) **Não se sobrestime. Mantenha uma posição firme e mantenha sempre o equilíbrio.** Desta forma poderá ser mais fácil controlar o aparelho em situações inesperadas.
 - f) **Use roupa apropriada. Não use roupa larga ou jóias.** Mantenha os cabelos e roupas afastados de partes em movimento. Roupas largas, jóias ou cabelos longos podem ser agarradas por partes em movimento.
 - g) **Se for prevista a montagem de dispositivos de aspiração de pó e de dispositivos de recolha, assegure-se de que estão conectados e que sejam utilizados de forma correcta.** A utilização de uma aspiração de pó pode reduzir o perigo devido ao pó.
 - h) **Não deixe que a familiaridade resultante de uma utilização frequente de ferramentas permita que você se torne complacente e ignore os princípios de segurança da ferramenta.** Uma ação descuidada pode causar ferimentos graves numa fração de segundo.
- #### **4) USO E TRATAMENTO DE FERRAMENTAS ELÉTRICAS**
- a) **Não sobrecarregue a ferramenta eléctrica. Use para o seu trabalho a ferramenta eléctrica correcta.** A ferramenta correcta realizará o trabalho de forma melhor e mais segura dentro da faixa de potência indicada.
 - b) **Não utilize a ferramenta eléctrica se o interruptor não puder ser ligado nem desligado.** Qualquer ferramenta eléctrica que não possa ser controlada através do interruptor de ligar-desligar, é perigosa e deve ser reparada.
 - c) **Puxar a ficha da tomada e/ou remover o acumulador, se amovível, antes de executar ajustes na ferramenta, de substituir acessórios ou de guardar a ferramenta.** Esta medida de segurança evita que a ferramenta eléctrica seja ligada acidentalmente.
 - d) **Guarde ferramentas eléctricas que não estiverem sendo utilizadas, for a do alcance de crianças. Não permita que o aparelho seja utilizado por pessoas não familiarizadas com o mesmo ou que não tenham lido estas instruções.** Ferramentas eléctricas são perigosas nas mãos de pessoas sem treinamento.

- e) **Trate a ferramenta eléctrica e os acessórios com cuidado. Verifique se as partes móveis do aparelho funcionam perfeitamente e não emperram, se há peças quebradas ou danificadas, que possam influenciar o funcionamento do aparelho. Peças danificadas devem ser reparadas antes da utilização do aparelho.** Muitos acidentes tem como causa uma manutenção insuficiente das ferramentas eléctricas.
- f) **Mantenha as ferramentas de corte sempre afiadas e limpas.** Ferramentas de cortes devidamente tratadas, com cantos afiados travam com menos frequência e podem ser controladas com maior facilidade.
- g) **Use a ferramenta eléctrica, os acessórios os bits da ferramenta etc., de acordo com estas instruções. Considere também as condições de trabalho e o trabalho a ser efectuado.** A utilização da ferramenta eléctrica para outros fins que os previstos, pode resultar em situações perigosas.
- h) **Mantenha os punhos e as superfícies de agarrar secas, limpas e livres de óleo e massa consistente.** Punhos e superfícies de agarrar escorregadias não permitem o manuseio e controle seguros da ferramenta em situações inesperadas.

5) SERVIÇO

- a) **A sua ferramenta eléctrica só deve ser reparada por pessoal qualificado e só devem ser colocadas peças sobressalentes originais.** Desta forma é assegurada a segurança da ferramenta eléctrica.

INSTRUÇÕES DE SEGURANÇA PARA SERRAS VERTICAIS

GENERAL

- Certifique-se sempre de que a tensão de alimentação está de acordo com a tensão indicada na placa de identificação da ferramenta (ferramentas com a indicação de 230V ou 240V também podem ser ligadas a uma fonte de 220V)
- Verifique o funcionamento da ferramenta antes de cada utilização e, em caso de avaria, leve-a a uma pessoa qualificada para reparação; nunca abra você mesmo a ferramenta
- **Não processar material que contenha asbesto** (asbesto é considerado como sendo cancerígeno)
- Esta ferramenta não deve ser utilizada por pessoas menores de 16 anos
- O nível de ruído durante o trabalho pode exceder 85 dB(A); utilize protectores auriculares
- Utilizar óculos de protecção ao trabalhar com materiais com efeito de aparas
- O pó do material, como tinta com chumbo, algumas espécies de madeira, minerais e metais, pode ser prejudicial (contacto ou inalação do pó pode provocar reacções alérgicas e/ou doenças respiratórias ao operador ou às pessoas presentes); **use máscara respiratória e trabalhe com um dispositivo de extracção de pó quando ligado a**
- Determinados tipos de pó são classificados como substâncias cancerígenas (como pó de carvalho e faia), em especial, juntamente com aditivos para acondicionamento da madeira; **use máscara respiratória e trabalhe com um dispositivo de extracção de pó quando ligado a**

- Siga o regulamento nacional quanto a extração de pó, em função dos materiais que vão ser utilizados
- Utilize extensões completamente desenroladas e seguras, com uma capacidade de 16 Amp
- **Desligue sempre a ficha da tomada antes de proceder a qualquer ajustamento ou troca de acessório**

ANTES DA UTILIZAÇÃO

- Retire todos os obstáculos que se encontram no topo superior e na parte inferior da peça a cortar antes de iniciar o trabalho
- Evite danificar a ferramenta em superfícies com pregos ou parafusos; remova-os antes de começar a trabalhar
- **Utilize os grampos ou outra forma prática para apoiar e fixar a peça de trabalho numa plataforma estável** (segurar o trabalho com a mão ou contra o corpo deixa a peça instável e pode provocar a perda de controlo)

DURANTE A UTILIZAÇÃO

- **Segurar a ferramenta eléctrica pelas superfícies de punho isoladas ao executar trabalhos durante os quais o acessório possa atingir cabos eléctricos escondidos ou o próprio cabo de rede** (o contacto com um cabo sob tensão também pode colocar sob tensão as peças metálicas da ferramenta e levar a um choque eléctrico)
- **Se esta ligada, mas não em uso, o punho da ferramenta pode aquecer-se; isto é normal e não representa um problema**
- Mantenha sempre o fio afastado das peças rotativas da ferramenta; coloque o fio para trás, fora do alcance da ferramenta
- Caso o fio for danificado ou cortado durante o trabalho, não toque no fio, mas tire imediatamente a ficha da tomada
- Não utilizar ferramenta caso o fio esteja danificado; mandando-o substituir por pessoal qualificado
- Em caso de anomalias eléctricas ou mecânicas, desligue imediatamente a ferramenta e tire a ficha da tomada
- Mantenha as mãos distantes da lâmina da serra enquanto a ferramenta estiver a trabalhar

ACESSÓRIOS

- A SKIL só pode garantir um funcionamento perfeito da ferramenta, quando utilizada com os acessórios originais
- Não utilize lâminas que se encontrem rachadas, deformadas ou cagas

UTILIZAÇÃO NO EXTERIOR

- Quando utilizar a ferramenta no exterior, ligue-a utilizando um disjuntor de corrente de falha (FI) com uma corrente de disparo de 30 mA no máximo e utilize apenas uma extensão destinada a utilização no exterior e que esteja equipada com uma tomada de união à prova de salpicos

APÓS A UTILIZAÇÃO

- Quando guardar a ferramenta, deverá certificar-se que o motor esta devidamente parado assim como todas as peças rotativas

RADIAÇÕES LASER

- **Não aponte o feixe laser a pessoas ou animais**
- **Não olhe directamente para o feixe laser (radiações laser)**

- Não use quaisquer instrumentos ópticos de ampliação (como lupas, telescópios ou binóculos) para ver o feixe laser
- Não utilize a ferramenta na presença de líquidos, gases, ou pó inflamáveis
- Não utilize a ferramenta com crianças à volta

EXPLICAÇÃO DOS SÍMBOLOS DA FERRAMENTA

- ③ Leia o manual de instruções antes de utilizar o equipamento
- ④ Isolamento duplo (nenhum fio de terra necessário)
- ⑤ Não deite a ferramenta no lixo doméstico
- ⑥ **Radiações laser / Não olhar directamente para o feixe / Produto laser da classe 2**

MANUSEAMENTO

- Ligar/desligar ⑦
 - Regulação da velocidade para arranque suave ⑧
 - Fixação do interruptor para utilização contínua ⑨
 - Trocar lâminas ⑩
 - ! **introduzir a lâmina até à profundidade máx. com os dentes voltados para a frente ⑪**
 - ! **utilize apenas as lâminas de serra de encadourado em T**
 - Cortar a 15°/30°/45° ⑫
 - Ajustar o número de cursos consoante o material ⑬
 - ! **se a ferramenta não funcionar com a roda D na posição 1, seleccione um número de cursos mais alto e baixe o número de cursos com a ferramenta a funcionar**
 - Aspiração de pó ⑭
 - aplique o aspirador à extensão E
 - ! **não utilizar o aspirador ao cortar metais**
 - Selecção do modo de corte ⑮

Utilize a patilha F ② para ajustar o movimento pendular do corte preciso (= 0) até à corte rápido (= III)

 - 1 posição ("0") para cortes precisos em todos materiais, rectos + curvos
 - 3 posições para cortes rápidos em diferentes materiais, apenas rectos
 - I = metal
 - II = plástico
 - III = madeira dura - ! **selecione sempre "0" quando cortar materiais susceptíveis de libertar aparas**
- Linha laser ⑯
 - para guiar a ferramenta ao longo da linha de corte marcada na peça a trabalhar
 - ligue/desligue a linha laser puxando o interruptor G
 - antes de iniciar um trabalho, verifique o alinhamento da linha laser com a linha de corte actual, fazendo um corte experimental num material inútil
 - ! **não tente ajustar a linha laser com o parafuso X que foi predefinido na fábrica**
 - ! **não retire nem danifique a etiqueta de aviso A ②**
- Utilização da ferramenta
 - antes de ligar a ferramenta, certifique-se que a parte frontal da base está bem assente sobre a peça a trabalhar
 - segure a ferramenta com ambas as mãos e assim terá sempre um controlo completo da mesma
 - ! **durante o trabalho, segure sempre a ferramenta na(s) área(s) de fixação cinzenta(s) ⑰**
 - certifique-se que a base está apoiada sobre toda a superfície

! **certifique-se que a lâmina está completamente parada antes de retirar a ferramenta da peça a trabalhar**

- mantenha as aberturas de ventilação H ② destapadas

CONSELHOS DE APLICAÇÃO

- Utilize as lâminas apropriadas ⑱
- ! **utilize apenas as lâminas de serra de encadourado em T**
- Ao cortar metais, lubrifique a lâmina regularmente com óleo adequado
- Utilize a guia paralela J para fazer cortes paralelos ⑲
- Para um corte direito e preciso, guie a ferramenta com a base sobre o bordo de madeira direita ⑳
- Faça primeiro um furo antes de realizar recortes ㉑
- Cortar sem aparas
 - cubra a linha de corte com várias camadas de fita adesiva larga antes de começar a cortar
 - coloque sempre a peça a trabalhar com a face virada para baixo
- Para mais sugestões consulte www.skil.com

MANUTENÇÃO / SERVIÇO

- Esta ferramenta não se destina a utilização profissional
- Mantenha a ferramenta e o fio sempre limpos (especialmente as ranhuras de respiração H ②)
- ! **desligar a ferramenta da fonte de corrente antes de limpar**
- Se a ferramenta falhar apesar de cuidadosos processos de fabricação e de teste, a reparação deverá ser executada por uma oficina de serviço autorizada para ferramentas eléctricas SKIL
 - envie a ferramenta **sem desmontar**, juntamente com a prova de compra, para o seu revendedor ou para o centro de assistência SKIL mais próximo (os endereços assim como a mapa de peças da ferramenta estão mencionados no www.skil.com)

AMBIENTE

- **Não deite ferramentas eléctricas, acessórios e embalagem no lixo doméstico** (apenas para países da UE)
 - de acordo com a directiva europeia 2012/19/CE sobre ferramentas eléctricas e electrónicas usadas e a transposição para as leis nacionais, as ferramentas eléctricas usadas devem ser recolhidas em separado e encaminhadas a uma instalação de reciclagem dos materiais ecológica
 - símbolo ⑤ lhe avisará em caso de necessidade de arranja-las

RUÍDO / VIBRAÇÃO

- Medido segundo EN 62841 o nível de pressão acústica desta ferramenta é 88 dB(A) e o nível de potência acústica 99 dB(A) (espaço de erro: 3 dB), e a vibração
 - * m/s² (soma de vectores de três direcções; incerteza K = 1,5 m/s²)
 - * ao cortar madeira 6,7 m/s²
 - * ao cortar metais 11,4 m/s²

- O nível de emissão de vibrações foi medido de acordo com um teste normalizado fornecido na EN 62841; pode ser utilizado para comparar una ferramenta com outra e como una avaliação preliminar de exposição à vibração quando utilizar a ferramenta para as aplicações mencionadas
 - utilizar a ferramenta para diferentes aplicações ou com acessórios diferentes ou mantidos deficientemente, pode **aumentar** significativamente o nível de exposição
 - o número de vezes que a ferramenta é desligada ou quando estiver a trabalhar sem fazer nada, pode **reduzir** significativamente o nível de exposição
- ! **proteja-se contra os efeitos da vibração, mantendo a ferramenta e os acessórios, mantendo as mãos quentes e organizando os padrões de trabalho**

I

Sega da traforo

1061

INTRODUZIONE

- Quest'utensile è idoneo per l'esecuzione di tagli di tronatura e dal pieno nel legno, in materie plastiche, nel metallo, nella piastra ceramica e nella gomma, e di tagli diritti e tagli con angolazioni fino a 45°
- Questo utensile non è inteso per un uso professionale
- Leggete e conservate questo manuale di istruzione ③

DATI TECNICI ①

ELEMENTI UTENSILE ②

- A Etichetta di avvertenza ⑥
- B Interruttore di accensione/spengimento e regolazione della velocità
- C Pulsante di blocco dell'interruttore
- D Rotella di regolazione del numero di corse
- E Prolunga per aspirapolvere
- F Leva per la selezione del modo di taglio
- G Interruttore acceso/spento laser
- H Feritoie di ventilazione
- J Guida parallela
- K Sistema Clic per il cambio della lama
- L Alloggiamento per la chiave

SICUREZZA

AVVERTENZE GENERALI DI PERICOLO PER ELETTROUTENSILI

AVVERTENZA Leggere tutte le avvertenze di pericolo, le istruzioni operative, le figure e le specifiche accluse al presente elettro utensile. Il mancato rispetto di tutte le istruzioni sottoelencate potrà comportare il pericolo di scosse elettriche, incendi e/o gravi lesioni.

Conservare tutte le avvertenze di pericolo e le istruzioni operative per ogni esigenza futura.

Il termine "elettro utensile" utilizzato nelle avvertenze di pericolo si riferisce ad elettro utensili alimentati dalla rete (con linea di allacciamento) ed ad elettro utensili alimentati a batteria (senza linea di allacciamento).

1) SICUREZZA DELLA POSTAZIONE DI LAVORO

- a) **Mantenere pulito ed ordinato il posto di lavoro.** Il disordine o le zone di lavoro non illuminate possono essere fonte di incidenti.
- b) **Evitare d'impiegare l'elettro utensile in ambienti soggetti al rischio di esplosioni nei quali si trovino liquidi, gas o polveri infiammabili.** Gli elettro utensili producono scintille che possono far infiammare la polvere o i gas.
- c) **Mantenere lontani i bambini ed altre persone durante l'impiego dell'elettro utensile.** Eventuali distrazioni potranno comportare la perdita del controllo sull'elettro utensile.

2) SICUREZZA ELETTRICA

- a) **La spina per la presa di corrente dovrà essere adatta alla presa. Evitare assolutamente di apportare modifiche alla spina. Non impiegare spine adattatrici assieme ad elettro utensili con collegamento a terra.** Le spine non modificate e le prese adatte allo scopo riducono il rischio di scosse elettriche.
- b) **Evitare il contatto fisico con superfici collegate a terra, come tubi, riscaldamenti, cucine elettriche e frigoriferi.** Sussiste un maggior rischio di scosse elettriche nel momento in cui il corpo è messo a massa.
- c) **Custodire l'elettro utensile al riparo dalla pioggia o dall'umidità.** L'eventuale infiltrazione di acqua in un elettro utensile va ad aumentare il rischio d'insorgenza di scosse elettriche.
- d) **Non usare il cavo per scopi diversi da quelli previsti al fine di trasportare o appendere l'elettro utensile, oppure di togliere la spina dalla presa di corrente. Mantenere l'elettro utensile al riparo da fonti di calore, dall'olio, dagli spigoli o da pezzi in movimento.** I cavi danneggiati o aggrovigliati aumentano il rischio d'insorgenza di scosse elettriche.
- e) **Qualora si voglia usare l'elettro utensile all'aperto, impiegare solo ed esclusivamente cavi di prolunga omologati per l'impiego all'esterno.** L'uso di un cavo di prolunga omologato per l'impiego all'esterno riduce il rischio d'insorgenza di scosse elettriche.
- f) **Qualora non fosse possibile evitare di utilizzare l'elettro utensile in ambiente umido, utilizzare un interruttore di messa a terra.** L'uso di un interruttore di messa a terra riduce il rischio di una scossa elettrica.

3) SICUREZZA DELLE PERSONE

- a) **È importante concentrarsi su ciò che si sta facendo e a maneggiare con giudizio l'elettro utensile durante le operazioni di lavoro. Non utilizzare l'elettro utensile in caso di stanchezza o sotto l'effetto di droghe, bevande alcoliche e medicinali.** Un attimo di distrazione durante l'uso dell'elettro utensile potrà causare lesioni gravi.
- b) **Indossare sempre equipaggiamento protettivo individuale. Usare sempre protezioni per gli occhi.** Se si avrà cura d'indossare equipaggiamento protettivo individuale come la maschera antipolvere, la calzatura

- antisdrucchiolevole di sicurezza, il casco protettivo o la protezione dell'udito, a seconda dell'impiego previsto per l'elettrotroutensile, si potrà ridurre il rischio di ferite.
- c) **Evitare l'accensione involontaria dell'elettrotroutensile. Prima di collegarlo alla rete di alimentazione elettrica e/o alla batteria ricaricabile, prima di prenderlo oppure prima di iniziare a trasportarlo, assicurarsi che l'elettrotroutensile sia spento.** Tenendo il dito sopra l'interruttore mentre si trasporta l'elettrotroutensile oppure collegandolo all'alimentazione di corrente con l'interruttore inserito, si vengono a creare situazioni pericolose in cui possono verificarsi seri incidenti.
- d) **Togliere gli attrezzi di regolazione o la chiave inglese prima di accendere l'elettrotroutensile.** Un elettrotroutensile o una chiave inglese che si trovino in una parte dell'elettrotroutensile in rotazione potranno causare lesioni.
- e) **È importante non sopravvalutarsi. Avere cura di mettersi in posizione sicura e di mantenere l'equilibrio.** In tale maniera sarà possibile controllare meglio l'elettrotroutensile in situazioni inaspettate.
- f) **Indossare vestiti adeguati. Evitare di indossare vestiti lenti o gioielli. Tenere capelli e vestiti lontani da parti in movimento.** Vestiti lenti, gioielli o capelli lunghi potranno impigliarsi in pezzi in movimento.
- g) **Se sussiste la possibilità di montare dispositivi di aspirazione o di captazione della polvere, assicurarsi che gli stessi siano stati installati correttamente e vengano utilizzati senza errori.** L'utilizzo di un'aspirazione polvere può ridurre lo svilupparsi di situazioni pericolose dovute alla polvere.
- h) **Una volta presa confidenza con gli utensili, evitare di trascurare le norme di sicurezza.** Una mancanza di attenzione può causare gravi lesioni in una frazione di secondo.
- 4) MANEGGIO ED IMPIEGO ACCURATO DI ELETTROTROUTENSILI**
- a) **Non sovraccaricare l'elettrotroutensile. Impiegare l'elettrotroutensile adatto per sbrigare il lavoro.** Utilizzando l'elettrotroutensile adatto si potrà lavorare meglio e con maggior sicurezza nell'ambito della gamma di potenza indicata.
- b) **Non utilizzare elettrotroutensili con interruttori difettosi.** Un elettrotroutensile che non si può più accendere o spegnere è pericoloso e dovrà essere riparato.
- c) **Prima di procedere ad operazioni di regolazione sull'elettrotroutensile, prima di sostituire parti accessorie oppure prima di posare l'elettrotroutensile al termine di un lavoro, estrarre sempre la spina dalla presa della corrente e/o estrarre la batteria ricaricabile, se rimovibile.** Tale precauzione eviterà che l'elettrotroutensile possa essere messo in funzione inavvertitamente.
- d) **Custodire gli elettrotroutensili non utilizzati al di fuori della portata dei bambini. Non fare usare l'elettrotroutensile a persone che non sono abituate ad usarlo o che non abbiano letto le presenti istruzioni.** Gli elettrotroutensili sono pericolosi se utilizzati da persone inesperte.

- e) **Eseguire la manutenzione degli elettrotroutensili e degli accessori. Verificare che le parti mobili dell'elettrotroutensile funzionino perfettamente e non s'incepino, che non ci siano pezzi rotti o danneggiati al punto tale da limitare la funzione dell'elettrotroutensile stesso. Far riparare le parti danneggiate prima d'impiegare l'elettrotroutensile.** Numerosi incidenti vengono causati da elettrotroutensili la cui manutenzione è stata effettuata poco accuratamente.
- f) **Mantenere affilati e puliti gli elettrotroutensili da taglio.** Gli elettrotroutensili da taglio curati con particolare attenzione e con taglienti affilati s'inceppano meno frequentemente e sono più facili da condurre.
- g) **Utilizzare elettrotroutensili, accessori, attrezzi, ecc. in conformità con le presenti istruzioni. Osservare le condizioni di lavoro ed il lavoro da eseguirsi durante l'impiego.** L'impiego di elettrotroutensili per usi diversi da quelli consentiti potrà dar luogo a situazioni di pericolo.
- h) **Mantenere impugnature e superfici di presa asciutte, pulite e prive di olio e grasso.** Impugnature e superfici di presa scivolose non consentono di manipolare e controllare l'utensile in caso di situazioni inaspettate.
- 5) ASSISTENZA**
- a) **Fare riparare l'elettrotroutensile solo ed esclusivamente da personale specializzato e solo impiegando pezzi di ricambio originali.** In tale maniera potrà essere salvaguardata la sicurezza dell'elettrotroutensile.

ISTRUZIONI DI SICUREZZA PER SEGHETTI ALTERNATIVI

NOTE GENERALI

- Controllare che la tensione dell'alimentazione sia la stessa di quella indicata sulla targhetta dell'utensile (gli utensili con l'indicazione di 230V o 240V possono essere collegati anche alla rete di 220V)
- Controllare il funzionamento dell'utensile prima di ogni volta che si deve usare, in caso di un difetto, farlo riparare immediatamente da una persona qualificata; non aprire mai l'utensile da se stessi
- **Non lavorare mai materiali contenenti amianto** (l'amianto è ritenuto materiale cancerogeno)
- Questo utensile non dev'essere utilizzato da persone di età inferiore ai 16 anni
- Durante le operazioni di lavoro il livello di rumorosità può superare 85 dB(A); utilizzare le cuffie di protezione
- Nella lavorazione di materiali a produzione di trucioli, indossare occhiali protettivi
- Le polveri di materiali come vernici contenenti piombo, alcune specie di legno, minerali e metallo possono essere nocive (il contatto con queste polveri o la loro inalazione possono causare reazioni allergiche e/o disturbi respiratori all'operatore o ad altre persone presenti sul posto); **indossare una maschera protettiva per la polvere e utilizzare un dispositivo per l'estrazione della polvere se è presente una presa di collegamento**
- Alcuni tipi di polvere sono classificati come cancerogeni (quali le polveri di quercia e faggio) specialmente se associate ad additivi per il trattamento del legno; **indossare una maschera protettiva per la polvere e utilizzare un dispositivo per l'estrazione della polvere se è presente una presa di collegamento**

- Rispettare le istruzioni nazionali riguardanti l'estrazione della polvere per i materiali in lavorazione
- Usare cavi di prolunga completamente srotolati e sicure con una capacità di 16 Amp
- **Staccate sempre la spina dell'utensile prima di effettuare regolazioni o cambiare gli accessori**

PRIMA DELL'USO

- Rimuovete tutti gli ostacoli sopra e sotto la linea di taglio prima di iniziare il lavoro
- Evitate possibili danneggiamenti da viti e chiodi sporgenti; rimuoverli prima di iniziare la lavorazione
- **Utilizzare morsetti o altre attrezzature per fissare e sostenere il pezzo di lavorazione a una piattaforma stabile** (tenere il pezzo in lavorazione in mano o stretto al corpo è instabile e può far perdere il controllo dell'utensile)

DURANTE L'USO

- **Tenere l'elettrotensile per le superfici isolate dell'impugnatura qualora venissero effettuati lavori durante i quali l'accessorio potrebbe venire a contatto con cavi elettrici nascosti oppure con il proprio cavo di rete** (il contatto con un cavo sotto tensione può mettere sotto tensione anche parti metalliche dell'elettrotensile, causando una scossa elettrica)
- **Quando l'utensile è collegato all'alimentazione elettrica, anche se non in uso, l'impugnatura potrebbe scaldarsi; il fenomeno è normale e non comporta problemi**
- Mantenere sempre il cavo distante dalle parti in movimento dell'utensile; spingere il cavo verso la parte posteriore, distante dall'utensile
- Se durante un'operazione di lavoro viene danneggiato oppure troncato il cavo, non toccare il cavo ma estrarre immediatamente la spina dalla presa
- Non usare l'utensile quando il cavo è danneggiato; farlo sostituire da personale qualificato
- Nel caso di cattivo funzionamento elettrico o meccanico, spegnete subito l'utensile e staccate la spina
- Tenete lontane le mani dalla lama quando l'utensile è in moto

ACCESSORI

- La SKIL garantisce un perfetto funzionamento dell'utensile soltanto se vengono utilizzati accessori originali
- Non usate la lama in caso sia crepata, deformata o non tagliente

USO ALL'ESTERNO

- Quando usato l'esterno, collegare l'utensile ad un interruttore automatico di rete (FI) con una corrente di scatto di 30 mA massimo, ed usare solamente il cavo di prolunga inteso per uso esterno e munito di una presa antispruzzo

DOPO L'USO

- Quando riponete l'utensile accertatevi che non ci siano parti in movimento e che il motore sia spento

RADIAZIONI LASER

- **Non puntare il raggio laser verso nessuna persona o animale**
- **Non guardare direttamente nel raggio del laser (radiazioni laser)**
- Non utilizzare nessun attrezzo d'ingrandimento (come una lente d'ingrandimento, telescopio, o binocoli) per veder il raggio laser

- Non usare l'utensile se sono presenti dei liquidi infiammabili, dei gas o della polvere
- Non adoperare l'utensile in presenza di bambini

SPIEGAZIONE DEI SIMBOLI PRESENTI SULL'UTENSILE

- ③ Leggere il manuale di istruzioni prima dell'uso
- ④ Doppio isolamento (non è necessario alcun cavo di terra)
- ⑤ Non gettare l'utensile tra i rifiuti domestici
- ⑥ **Radiazioni al laser / Non guardare direttamente nel raggio / Prodotto laser classe 2**

USO

- Acceso/spento ⑦
- Regolazione della velocità per un avviamento lento ⑧
- Blocco dell'interruttore per il funzionamento continuo ⑨
- Cambio della lama ⑩
 - ! **inserire la lama sino in fondo con i denti posizionati in avanti ⑪**
 - ! **usare solamente le lame con gambo a T**
- Taglio a 15°/30°/45° ⑫
- Regolazione del numero di corse in base al materiale utilizzato ⑬
 - ! **se l'utensile non funziona con la rotella D in posizione 1, selezionare un numero di corse più alto ed in seguito diminuire il numero di corse mentre l'utensile è in moto**
- Aspirazione della polvere ⑭
 - montate l'aspirapolvere sulla prolunga E
 - ! **non usare l'aspirapolvere quando si tagliano metalli**
- Selezione del modo di taglio ⑮
 - Usare la leva F ② per regolare l'azione orbitale da un taglio accurato (= 0) ad un taglio rapido (= III)
 - 1 posizione ("0") per un taglio accurato in tutti i materiali, dritto + curvo
 - 3 posizioni per un taglio rapido in diversi materiali, solo dritto
 - I = metallo
 - II = plastica
 - III = legno duro
 - ! **selezionare sempre "0" quando si sta tagliando materiale fragile**
- Linea laser ⑯
 - per guidare l'utensile sulla linea di taglio marcata sul pezzo in lavorazione
 - attivate/disattivate la linea laser premendo l'interruttore G
 - prima di iniziare un lavoro, verificare l'allineamento della linea laser con la linea di taglio corrente eseguendo un taglio di prova su un pezzo di materiale di scarto
 - ! **non tentare di regolare la linea laser mediante la vite X che viene prerogolata al momento della fabbricazione**
 - ! **non rimuovere o danneggiare l'etichetta di avvertenza A ②**
- Uso dell'utensile
 - prima di azionare l'utensile, assicurarsi che l'estremità frontale del piede sia in posizione piana sul pezzo da lavorare
 - tenere l'utensile con entrambe le mani, in modo da avere in qualsiasi momento il controllo dell'utensile

! **durante la lavorazione, impugna l'utensile sempre in corrispondenza della(e) area(e) grigia(e)** 17

- il piede deve poggiare completamente su tutta la superficie

! **prima di rimuovere l'utensile del pezzo da lavorare assicuratevi che la lama sia ferma**

- tenere scoperte le feritoie di ventilazione H ②

CONSIGLIO PRATICO

- Usare le lame appropriate 18
- ! **usare solamente le lame con gambo a T**
- Quando si tagliano metalli, lubrificare la lama regolarmente con olio
- Usate la guida parallela J per eseguire tagli paralleli 19
- Per un accurato taglio dritto, guidare l'utensile con il suo lato piano lungo il bordo di un pezzo di legno rettilineo 20
- Preparare un foro prima di eseguire di tagli dal pieno 21
- Taglio senza schegge
 - coprire la linea di taglio con più strati di nastro largo prima di taglio
 - posizionare sempre la parte più rifinita del pezzo in lavorazione verso il basso
- Per altri consigli consultare il sito www.skil.com

MANUTENZIONE / ASSISTENZA

- Questo utensile non è inteso per un uso professionale
- Tenete sempre puliti utensile e cavo (soprattutto le feritoie di ventilazione H ②)
- ! **prima di pulire estrarre la spina dalla presa**
- Se nonostante gli accurati procedimenti di produzione e di controllo l'utensile dovesse guastarsi, la riparazione va fatta effettuare da un punto di assistenza autorizzato per gli elettro utensili SKIL
 - inviare l'utensile **non smontato** assieme alle prove di acquisto al rivenditore oppure al più vicino centro assistenza SKIL (l'indirizzo ed il disegno delle parti di ricambio dell'utensile sono riportati su www.skil.com)

TUTELA DELL'AMBIENTE

- **Non gettare l'utensile elettrico, gli accessori e l'imballaggio tra i rifiuti domestici** (solo per paesi UE)
 - secondo la Direttiva Europea 2012/19/CE sui rifiuti di utensili elettrici ed elettronici e la sua attuazione in conformità alle norme nazionali, gli utensili elettrici esausti devono essere raccolti separatamente, al fine di essere reimpiegati in modo eco-compatibile
 - il simbolo ⑤ vi ricorderà questo fatto quando dovrete eliminarle

RUMOROSITÀ / VIBRAZIONE

- Misurato in conformità al EN 62841 il livello di pressione acustica di questo utensile è 88 dB(A) ed il livello di potenza acustica 99 dB(A) (deviazione standard: 3 dB), e la vibrazione * m/s^2 (somma dei vettori in tre direzioni; incertezza $K = 1,5 m/s^2$)
 - * quando si tagliano legno 6,7 m/s^2
 - * quando si tagliano metalli 11,4 m/s^2
- Il livello di emissione delle vibrazioni è stato misurato in conformità a un test standardizzato stabilito dalla norma EN 62841; questo valore può essere utilizzato per

mettere a confronto un l'utensile con un altro o come valutazione preliminare di esposizione alla vibrazione quando si impiega l'utensile per le applicazioni menzionate

- se si utilizza l'utensile per applicazioni diverse, oppure con accessori differenti o in scarse condizioni, il livello di esposizione potrebbe **umentare** notevolmente
- i momenti in cui l'utensile è spento oppure è in funzione ma non viene effettivamente utilizzato per il lavoro, possono contribuire a **ridurre** il livello di esposizione

! **protegersi dagli effetti della vibrazione effettuando la manutenzione dell'utensile e dei relativi accessori, mantenendo le mani calde e organizzando i metodi di lavoro**

H

Szűrőfűrész

1061

BEVEZETÉS

- E szerszám fa, műanyag, fém, kerámia lapok és gumi át- és kivágására készült, továbbá alkalmas egyenes és 45°-os szögű vágásokra is
- Ez a szerszám nem professzionális használatra készült
- Olvassa el figyelmesen és őrizze meg a használati utasítást ③

MŰSZAKI ADATOK ①

SZERSZÁMGÉP ELEMEI ②

- A Figyelmeztető címke ⑥
- B Be/Ki kapcsoló és sebességszabályozó
- C Kapcsolórögítőtógomb
- D A fűrészelési sebesség beállítására szolgáló kerék
- E Adapter a porszívóhoz
- F A fűrészelési mód kiválasztására szolgáló kar
- G Lézer be/ki kapcsológomb
- H Szellőzőnyílások
- J Vezetőléc
- K Clic-system fűrészlapok cseréjéhez
- L Kulcs tartója

BIZTONSÁG

ÁLTALÁNOS BIZTONSÁGI ELŐÍRÁSOK AZ ELEKTROMOS KÉZISZERSZÁMOKHOZ

▲ FIGYELMEZTETÉS Olvassa el az ehhez a kéziszerszámmal mellékelt összes biztonsági figyelmeztetést, előírást, illusztrációt és specifikációt. Az alábbiakban felsorolt előírások betartásának elmulasztása áramütésekhez, tűzhöz és/vagy súlyos testi sérülésekhez vezethet.

Őrizze meg a jövőbeli használatra is valamennyi biztonsági előírást és utasítást.

Az alább alkalmazott "elektromos kéziszerszám" fogalom a hálózati elektromos kéziszerszámokat (hálózati csatlakozó kábelrel) és az akkumulátoros elektromos kéziszerszámokat (hálózati csatlakozó kábel nélkül) foglalja magában.

1) MUNKAHELYI BIZTONSÁG

- a) **Tartsa tisztán és tartsa rendben a munkahelyét.**
Rendetlen munkahelyek vagy megvilágítatlan munkaterületek balesetekhez vezethetnek.
- b) **Ne dolgozzon az elektromos kéziszerszámmal olyan robbanásveszélyes környezetben, ahol éghető folyadékok, gázok vagy porok vannak.** Az elektromos kéziszerszámok szikrákat bocsáthatnak ki, amelyek meggyújthatják a port vagy a gőzöket.
- c) **Tartsa távol a gyerekeket és az idegen személyeket a munkahelytől, ha az elektromos kéziszerszámot használja.** Ha elvonják a figyelmét a munkától, könnyen elvesztheti az uralmát a berendezés felett.

2) ELEKTROMOS BIZTONSÁGI ELŐÍRÁSOK

- a) **A készülék csatlakozó dugójának bele kell illeszkednie a dugaszolóaljzatba. A csatlakozó dugót semmilyen módon sem szabad megváltoztatni. Védőfóldelével ellátott készülékekkel kapcsolatban ne használjon csatlakozó adaptert.** A változtatás nélküli csatlakozó dugók és a megfelelő dugaszoló aljzatok csökkentik az áramütés kockázatát.
- b) **Ne érjen hozzá földelt felületekhez, mint csövekhez, fűtőtestekhez, kályhákhoz és hűtőszekrényekhez.** Az áramütési veszély megnövekszik, ha a teste le van földelve.
- c) **Tartsa távol az elektromos kéziszerszámot az esőtől és a nedvesség hatásaitól.** Ha víz hatol be egy elektromos kéziszerszámba, ez megnöveli az áramütés veszélyét.
- d) **Ne használja a kábelt a rendeltetésétől eltérő célokra, vagyis a szerszámot soha ne hordozza vagy akassza fel a kábelnél fogva, és soha ne húzza ki a hálózati csatlakozó dugót a kábelnél fogva. Tartsa távol a kábelt hőforrásoktól, olajtól, éles élektől, sarkaktól és mozgó gépektől.** Egy megrongálódott vagy csomókkal teli kábel megnöveli az áramütés veszélyét.
- e) **Ha egy elektromos kéziszerszámmal a szabad ég alatt dolgozik, csak a szabadban való használatra engedélyezett hosszabbítót használjon.** A szabadban való használatra engedélyezett hosszabbító használata csökkenti az áramütés veszélyét.
- f) **Ha nem lehet elkerülni az elektromos kéziszerszám nedves környezetben való használatát, alkalmazzon egy földzárlat megszakítót.** Egy földzárlat megszakító alkalmazása csökkenti az áramütés kockázatát.

3) SZEMÉLYI BIZTONSÁGI ELŐÍRÁSOK

- a) **Munka közben mindig figyeljen, ügyeljen arra, amit csinál, és meggondoltan dolgozzon az elektromos kéziszerszámmal.** Ha fáradt, ha kábítószerek vagy alkohol hatása alatt áll, vagy orvosságokat vett be, ne használja a berendezést. A berendezéssel végzett munka közben már egy pillanatnyi figyelmetlenség is komoly sérülésekhez vezethet.
- b) **Viseljen személyi védőfelszerelést és mindig viseljen védőszemüveget.** A személyi védőfelszerelések, mint porvédő álarc, csúszásbiztos védőcipő, védősapka és fülvédő használata az elektromos kéziszerszám használata jellegének megfelelően csökkenti a személyes sérülések kockázatát.

- c) **Kerülje el a készülék akaratlan üzembe helyezését. Győződjön meg arról, hogy az elektromos kéziszerszám ki van kapcsolva, mielőtt bedugná a csatlakozó dugót a dugaszolóaljzatba, csatlakoztatná az akkumulátor-csomagot, és mielőtt felvenné és vinni kezdené az elektromos kéziszerszámot.** Ha az elektromos kéziszerszám felemelése közben az újjat a kapcsolón tartja, vagy ha a készüléket bekapcsolt állapotban csatlakoztatja az áramforráshoz, ez balesetekhez vezethet.
- d) **Az elektromos kéziszerszám bekapcsolása előtt okvetlenül távolítsa el a beállító szerszámokat vagy csavarkulcsokat.** Az elektromos kéziszerszám forgó részeiben felejtett beállító szerszám vagy csavarkulcs sérüléseket okozhat.
- e) **Ne becsülje túl önmagát. Kerülje el a normálistól eltérő testtartást, ügyeljen arra, hogy mindig biztosan álljon és az egyensúlyát megtartsa.** Így az elektromos kéziszerszám felett váratlan helyzetekben is jobban tud uralkodni.
- f) **Viseljen megfelelő ruhát. Ne viseljen bő ruhát vagy ékszereket. Tartsa távol a haját és a ruháját a mozgó részekről.** A bő ruhát, az ékszereket és a hosszú haját a mozgó alkatrészek magukkal rántathatják.
- g) **Ha az elektromos kéziszerszámra fel lehet szerelni a por elszívásához és összegyűjtéséhez szükséges berendezéseket, ellenőrizze, hogy azok megfelelő módon hozzá vannak kapcsolva a készülékhez és rendeltetésüknek megfelelően működnek.** A porgyűjtő berendezések használata csökkenti a munka során keletkező por veszélyes hatásait.
- h) **Ne hagyja, hogy az elektromos kéziszerszám gyakori használata során szerzett tapasztalatok olyan önelégültté tegyék, hogy figyelmen kívül hagyja az idevonatkozó biztonsági alapelveket.** Egy gondatlan művelet egy másodperc törtrésze alatt súlyos sérüléseket okozhat.

4) AZ ELEKTROMOS KÉZISZERSZÁMOK GONDOS KEZELÉSE ÉS HASZNÁLATA

- a) **Ne terhelje túl az elektromos kéziszerszámot. A munkájához csak az arra szolgáló elektromos kéziszerszámot használja.** Egy alkalmas elektromos kéziszerszámmal a megadott teljesítménytartományon belül jobban és biztonságosabban lehet dolgozni.
- b) **Ne használjon olyan elektromos kéziszerszámot, amelynek a kapcsolója elromlott.** Egy olyan elektromos kéziszerszám, amelyet nem lehet sem be-, sem kikapcsolni, veszélyes és meg kell javíttatni.
- c) **Húzza ki a csatlakozó dugót a dugaszolóaljzathoz és/vagy távolítsa el az akkumulátor-csomagot (ha az leválasztható) az elektromos kéziszerszámtól, mielőtt az elektromos kéziszerszám beállításai munkákat végez, tartozékokat cserél vagy a szerszámot tárolásra elteszi.** Ez az elővigyázatossági intézkedés meggátolja a szerszám akaratlan üzembe helyezését.
- d) **A használaton kívüli elektromos kéziszerszámokat olyan helyen tárolja, ahol azokhoz gyerekek ne férhess nek hozzá. Ne hagyja, hogy olyan személyek használják az elektromos kéziszerszámot, akik nem ismerik a szerszámot, vagy nem olvasták el ezt az útmutatót.** Az elektromos kéziszerszámok veszélyesek, ha azokat gyakorlatlan személyek használják.

- e) **Az elektromos kéziszerszámot és tartozékait gondosan tartsa karban. Ellenőrizze, hogy a mozgó alkatrészek kifogástalanul működnek-e, nincsenek-e beszorulva, és nincsenek-e eltörve vagy megrongálódva olyan alkatrészek, amelyek hatással lehetnek az elektromos kéziszerszám működésére. A megrongálódott részeket a készülék használata előtt javíttassa meg.** Sok olyan baleset történik, amelyet az elektromos kéziszerszám nem kielégítő karbantartására lehet visszavezetni.
- f) **Tartsa tisztán és éles állapotban a vágószerszámokat.** Az éles vágóélekkel rendelkező és gondosan ápolott vágószerszámok ritkábban ékelődnek be és azokat könnyebben lehet vezetni és irányítani.
- g) **Az elektromos kéziszerszámokat, tartozékokat, betétszerszámokat stb. csak ezen előírásoknak használja. Vegye figyelembe a munkafeltételeket és a kivitelezendő munka sajátosságait.** Az elektromos kéziszerszám eredeti rendeltetésétől eltérő célokra való alkalmazása veszélyes helyzetekhez vezethet.
- h) **Tartsa szárazon, tisztán és olaj- és zsírmentes állapotban a fogantyúkat és markoló felületeket.** A csúszós fogantyúk és markoló felületek váratlan helyzetekben lehetetlenné teszik az elektromos kéziszerszám biztonságos kezelését és irányítását.
- 5) SZERVIZ**
- a) **Az elektromos kéziszerszámot csak szakképzett személyzet és csak eredeti pótalkatrészek felhasználásával javíthatja.** Ez biztosítja, hogy az elektromos kéziszerszám biztonságos szerszám maradjon.

BIZTONSÁGI ELŐÍRÁSOK SZÚRÓFŰRÉSZEKHEZ

ÁLTALÁNOS TUDNIVALÓK

- Mindig ellenőrizze, hogy a hálózati feszültség megegyezik-e a gép adattábláján feltüntetett értékkel (a 230V vagy 240V jelzésű gépek 220V feszültségre is csatlakoztathatók)
- Minden használat előtt ellenőrizze, hogy helyesen működik-e a szerszám, és amennyiben meghibásodást észlel, azonnal forduljon szakképzett szerelőhöz, ön soha ne nyissa ki
- **Ne munkáljon meg a berendezéssel azbesztes tartalmú anyagokat** (az azbesztesnek rákkeltő hatása van)
- A készüléket csak 16 éven felüli személyek használják
- Munka közben a zaj meghaladhatja a 85 dB(A); használjon fülvédőt
- Használjon védőszemüveget ha olyan anyaggal dolgozik amelyek sok forgácsot vagy szilánkot produkál
- Az anyagból származó por (mint például az ólmot, néhány fafajtát, ásványi anyagokat és fémeket tartalmazó festék) káros lehet (a por érintése vagy belégzése allergiás reakciókat és/vagy légzőszervi betegségeket okozhat a kezelő, illetve a közelben állók esetében); **viseljen pormaszkot és amennyiben csatlakoztatható, dolgozzon porelszívó berendezéssel**
- Bizonyos porfajták rákkeltő besorolással rendelkeznek (ilyen például a tölgypora és a bükkfa-pora), különösen a fa kondicionálására szolgáló adalékokkal együtt; **viseljen pormaszkot és amennyiben csatlakoztatható, dolgozzon porelszívó berendezéssel**

- Kövesse a por kezelésével kapcsolatos helyi előírásokat azon termékkel kapcsolatosan, amellyel dolgozni kíván
- Használjon teljesen letekerített és biztonságos hosszabbítókábel, 16 A-es teljesítménnyel
- **Mindig húzza ki a dugaszolóaljzatot mielőtt tartozékot cserélné vagy bármit változtatna a gép beállításán**

HASZNÁLAT ELŐTT

- Mielőtt elkezdene a vágást, távolítson el minden akadályt a vágási vonal elől
- Ügyeljen arra, hogy a munkadarabban lévő csavar, szög vagy hasonló sérüléseket ne okozhasson; a munka megkezdése előtt eltávolítandó
- **Szorítóval vagy más praktikus módon rögzítse, és támassza meg a munkadarabot egy stabil tartóállványon** (ha csak a kezével tartja vagy a testéhez szorítja a munkadarabot, elveszítheti a stabilitást, valamint az uralmat a gép felett)

HASZNÁLAT KÖZBEN

- **Az elektromos kéziszerszámot csak a szigetelt fogantyúfelületeknél fogva tartsa, ha olyan munkát végez, amelynek során a betétszerszám feszültség alatt áll, kívülről nem látható vezetékhez, vagy a készülék saját hálózati csatlakozó kábeljéhez érhet** (ha a berendezés egy feszültség alatt álló vezetékhez ér, az elektromos kéziszerszám fémrészei szintén feszültség alá kerülhetnek és áramütéshez vezethetnek)
- **Amennyiben a csatlakoztatott eszköz nincs használatban, a gép fogantyúja felmelegedhet; ez teljesen normális és nem jelent problémát**
- A gép mozgó részétől mindig tartsa távol az elektromos kábelt; terelje a tápkábelt a gép hátulja felé, a géptől elfelé
- Ha a kábel munka közben megsérül vagy el van vágva, ne érjen a kábelhoz, hanem azonnal húzza ki a kónektorból
- Soha ne használja a szerszámot ha a kábel sérült; cseréltesse ki szakértő által
- Normálistól eltérő működés valamint szokatlan, idegen hangok esetén a készüléket azonnal kapcsolja ki és a kábelt húzza ki a fali dugaszoló aljzatból
- Amennyiben be van kapcsolva a gép, kezét tartsa távol a körfűrészlaptól

TARTOZÉKOK

- SKIL cég kizárólag eredeti alkatrészek és kiegészítők alkalmazása esetén tudja garantálni a gép problémamentes működését
- Ne használjon repedt, deformált vagy tompa fűrészlapot

KÜLTÉRI HASZNÁLAT

- Amennyiben szabadban használja a szerszámot (FI), 30 mA indítóáramú hibaáram megszakítón keresztül csatlakozzon a hálózathoz, és csak olyan hosszabbító vezetékét használjon, mely szabadteri használatra készült, és freccsenő víz ellen védett csatlakozóaljzata va

A HASZNÁLATOT KÖVETÉSEN

- A gépet soha ne hagyja bekapcsolott állapotban, ha már nem dolgozik vele

LÉZERSUGÁRSZÁM

- **Ne irányítsa a lézersugarat személy vagy állat fele**
- **Ne nézzen a lézersugarba (lézersugárzás)**
- Ne használjon semminemű nagyító jellegű optikai eszközt (pl. nagyító, teleszkóp vagy távcső) a lézersugár megtekintéséhez

- Ne használja a készüléket gyúlékony folyadékok/ gázok/ por jelenlétében
- Ne használja a készüléket gyermekek jelenlétében

A SZERSZÁMON TALÁLHATÓ SZIMBÓLUMOK MAGYARÁZATA

- ③ Használat előtt olvassa el a használati utasítást
- ④ Kettős szigetelés (földelővezeték nem szükséges)
- ⑤ A gépet ne dobja a háztartási szemétkébe
- ⑥ **Lézersugárzás / Ne nézzen a lézersugárba / 2. Osztályú lézer termék**

KEZELÉS

- Be/Ki ⑦
 - Egyenletes indítást biztosító sebességszabályozó ⑧
 - Kapcsolórögítő folyamat használat esetére ⑨
 - A fűrészlapon cseréje ⑩
 - ! **a fűrészlapon fogavíval előremutató irányba, a tartó teljes mélységéig toljuk be ⑪**
 - ! **használjon csak T-befogóvégű fűrészlapon**
 - Fűrészelés 15°/30°/45°-ban ⑫
 - A fűrészelési sebesség beállítása a használt anyagnak megfelelően ⑬
 - ! **ha a szerszám nem üzemel amikor a kerék D az 1-es pozícióban van, válasszon egy magasabb fűrészelési sebességet, majd csökkentse azt a szerszám üzemelése közben**
 - Por elszívás ⑭
 - az E adapterre a legkedvezőbb porfelvétélhez
 - ! **ne használja a porszívót fém vágása közben**
 - Fűrészelési mód kiválasztása ⑮

Az F ② kar segítségével választhatja meg a megmunkáláshoz szükséges elliptikus mozgás nagyságát precíziós vágásból (= 0) a teljes állásig a vágási sebesség érdekében (= III)

 - 1 fokozat ("0") precíz fűrészeléshez mód minden anyagban, egyenes + ívelt vágáshoz
 - 3 külön fokozat gyors fűrészeléshez módban különböző anyagokban, kizárólag egyenes vágáshoz
 - I = fém
 - II = műanyag
 - III = kemény fa - ! **szilánkérzékeny anyagok esetén mindig "0" fűrészelést válasszon**
- Lézeres vonal ⑯
 - a gép pontos használata érdekében vágjon a munkadarabon a rajzolt vonal mentén
 - az lézeres vonal, az G kapcsolóval kapcsolható ki/be
 - a munka megkezdése előtt végezzen próbavágást egy darab hulladékanyagon és ellenőrizze a lézeres vonal egyenesbe hozását a tényleges vágási vonallal
 - ! **az lézeres vonal beállítását ne kísérelje meg az X csavarral, mert az előzetesen gyárilag került beállításra**
 - ! **ne távolítsa el/rongálja meg a figyelmeztető címkét A ②**
- A gép üzemeltetése
 - mielőtt bekapcsolja a szerszámot, ellenőrizze, hogy a talapatz első vége laponan helyezkedik el a megmunkálandó anyagon
 - fogja mindkét kézben keményen a szerszámot, hogy ilyenképpen mindig teljesen ura legyen az eszköznek

- ! **munka közben mindvégig tartsa gépet a szürke színű markolati terület(ek)en ⑰**
- ellenőrizze, hogy a talapatz teljes felülete szilárdan helyezkedik el a megmunkálandó anyagon
- ! **ellenőrizze, hogy a fűrészlapon teljesen leállt mielőtt a gépet a munkadarabtól eltávolítja**
- a szellőzőnyílásokat H ② mindig tartsa szabadon

HASZNÁLAT

- Fontos, hogy mindig megfelelő fűrészlapon használjon ⑱
- ! **használjon csak T-befogóvégű fűrészlapon**
- Fémek vágása esetén rendszeresen olajozza a fűrészlapon
- Párhuzamvezető J párhuzamos vágások elvégzéséhez ⑲
- Precíz egyenes vágás érdekében vezesse a gépet egyenes fadarab széle mentén ⑳
- Teljes kivágás előtt készítsen előfuratot ㉑
- Szilánkmentes vágás
 - a vágást megelőzően ragassza le több rétegben a vágási vonalat széles szigetelőszalaggal
 - a munkadarab színét mindig lefelé fordítsa
- A www.skil.com címen még több ötletet és javaslatot talál

KARBANTARTÁS / SZERVIZ

- A szerszám nem professzionális használatra készült
- Mindig tartsa tisztán a gépet és a vezetékét (különös tekintettel a szellőzőnyílásokra H ②)
- ! **tisztítás előtt húzza ki a csatlakozódugót**
- Ha a gép a gondos gyártási és ellenőrzési eljárás ellenére egyszer mégis meghibásodna, akkor a javítással csak SKIL elektromos kéziszerszám-műhely ügyfélszolgálatát szabad megbízni
 - küldje az **összeszerelt** gépet a vásárlást bizonyító számlával együtt a kereskedő vagy a legközelebbi SKIL szervizállomás címére (a címlista és a gép szervizdiagramja a www.skil.com címen található)

KÖRNYEZET

- **Az elektromos kéziszerszámokat, tartozékokat és csomagolást ne dobja a háztartási szemétkébe** (csak EU-országok számára)
- a használt villamos és elektronikai készülékekről szóló 2012/19/EK irányelv és annak a nemzeti jogba való átültetése szerint az elhasznált elektromos kéziszerszámokat külön kell gyűjteni, és környezetbarát módon újra kell hasznosítani
- erre emlékeztet a ⑤ jelzés, amennyiben felmerül az intézkedésre való igény

ZAJ / REZGÉS

- Az EN 62841 alapján végzett mérések szerint ezen készülék hangnyomás szintje 88 dB(A) a hangteljesítmény szintje 99 dB(A) (normál eltérés: 3 dB), a rezgésszám * m/s² (a három irány vektorösszege; szórás K = 1,5 m/s²)
 - * fa vágásához 6,7 m/s²
 - * fém vágásához 11,4 m/s²
- A rezgés-kibocsátási szint mérése az EN 62841 szabványban meghatározott szabványosított teszttel

összhangban történt; ez egy eszköznek egy másik eszközzel történő összehasonlítására, illetve a rezgésnek való kitettség előzetes felmérésére használható fel az eszköznek az említett alkalmazásokra történő felhasználása során

- az eszköznek eltérő alkalmazásokra, vagy eltérő, illetve rosszul karbantartott tartozékokkal történő felhasználására jelentősen **emelheti** a kitettség szintjét
 - az idő, amikor az eszköz ki van kapcsolva, vagy amikor ugyan működik, de ténylegesen nem végez munkát, jelentősen **csökkentheti** a kitettség szintjét
- ! az eszköz és tartozékai karbantartásával, kezeinek melegen tartásával, és munkavégzésének megszerzésével védje meg magát a rezgések hatásaitól**

CZ

Kmitací pila

1061

ÚVOD

- Tato pila je určená k vyřezávání otvorů a různých tvarů ze dřeva, plastu, kovu, keramických desek a pryže, a lze ji použít pro rovné a zakřivené řezy s kosým úhlem do 45°
- Tento nástroj není určen k profesionálnímu použití
- Tento návod s pokyny si pečlivě přečtete a uschováte ③

TECHNICKÁ DATA ①

SOUČÁSTI NÁSTROJE ②

- A Výstražný štítek ⑥
- B Vypínač zapnout/vypnout a regulace rychlosti
- C Tlačítko k zajištění vypínače
- D Kolečko na regulaci rychlosti řezání
- E Nástavec pro vysavač
- F Páčka na volbu řezací režimu
- G Vypínač laseru
- H Větrací štěrbin
- J Paralelní doraz
- K Systém Clic k výměně pilových listů
- L Zásobník na klíč

BEZPEČNOST

OBEČNÉ BEZPEČNOSTNÍ POKYNY PRO ELEKTRONÁRAĐÍ

VAROVÁNÍ Přečtete si všechny bezpečnostní pokyny, výstrahy, zobrazení a specifikace k tomuto elektronáradí. Nedodržování všech níže uvedených pokynů může mít za následek úraz elektrickým proudem, požár a/nebo těžké poranění.

Všechny pokyny a výstrahy uchováte pro budoucí potřebu.

Ve varovných upozorněních použitý pojem "elektronáradí" se vztahuje na elektronáradí provozované na el. síti (se síťovým kabelem) a na elektronáradí provozované na akumulátoru (bez síťového kabelu).

1) BEZPEČNOST PRACOVNÍHO MÍSTA

a) Udržujte Vaše pracovní místo čisté a uklizené.

Nepořádek nebo neosvětlené pracovní oblasti mohou vést k úrazům.

b) Se strojem nepracujte v prostředích ohrožených explozí, kde se nacházejí hořlavé kapaliny, plyny nebo prach. Elektronáradí vytváří jiskry, které mohou prach nebo páry zapálit.

c) Děti a jiné osoby udržujte při použití elektronáradí daleko od Vašeho pracovního místa. Při rozptýlení můžete ztratit kontrolu nad strojem.

2) ELEKTRICKÁ BEZPEČNOST

a) Připojovací zástrčka stroje musí lícovat se zásuvkou. Zástrčka nesmí být žádným způsobem upravena. Společně se stroji s ochranným uzemněním nepoužívejte žádné adaptérové zástrčky. Neupravené zástrčky a vhodné zásuvky snižují riziko elektrického úderu.

b) Zabraňte kontaktu těla s uzemněnými povrchy, jako např. potrubí, topení, sporáky a chladničky. Je-li Vaše tělo uzemněno, existuje zvýšené riziko elektrického úderu.

c) Chraňte stroj před deštěm a vlhkem. Vniknutí vody do elektrického stroje zvyšuje nebezpečí elektrického úderu.

d) Dbejte na účel kabelu, nepoužívejte jej k nošení či zavěšení stroje nebo vytažení zástrčky ze zásuvky. Udržujte kabel daleko od tepla, oleje, ostrých hran nebo pohyblivých dílů stroje. Poškozené nebo spletené kabely zvyšují riziko elektrického úderu.

e) Pokud pracujete s elektronáradím venku, použijte pouze takové prodlužovací kabely, které jsou schváleny i pro venkovní použití. Použití prodlužovacího kabelu, jež je vhodný pro použití venku, snižuje riziko elektrického úderu.

f) Pokud se nelze vyhnout provozu elektronáradí ve vlhkém prostředí, použijte ochranný jistič. Nasazení ochranného jističe snižuje riziko úderu elektrickým proudem.

3) BEZPEČNOST OSOB

a) Buďte pozorní, dávejte pozor na to, co děláte a přistupujte k práci s elektronáradím rozumně. Stroj nepoužívejte pokud jste unaveni nebo pod vlivem drog, alkoholu nebo léků. Moment nepozornosti při použití elektronáradí může vést k vážným poraněním.

b) Noste osobní ochranné pomůcky a vždy ochranné brýle. Nošení osobních ochranných pomůcek jako maska proti prachu, bezpečnostní obuv s protiskluzovou podrážkou, ochranná přilba nebo sluchátka, podle druhu nasazení elektronáradí, snižují riziko poranění.

c) Zabraňte neúmyslnému uvedení do provozu. Přesvědčte se, že je elektronáradí vypnuté dříve než jej uchopíte, poneseťe či připojíte na zdroj proudu a/ nebo akumulátor. Máte-li při nošení elektronáradí prst na spínači nebo pokud stroj připojíte ke zdroji proudu zapnutý, pak to může vést k úrazům.

d) Než stroj zapnete, odstraňte seřizovací nástroje nebo šroubovák. Nástroj nebo klíč, který se nachází v otáčivém dílu stroje, může vést k poranění.

e) Nepřeceňujte se. Zajistěte si bezpečný postoj a vždy udržujte rovnováhu. Tím můžete stroj v neočekávaných situacích lépe kontrolovat.

- f) **Noste vhodný oděv. Nenoste žádný volný oděv nebo šperky. Vlasy a oděv udržujte daleko od pohyblivých se dílů.** Volný oděv, šperky nebo dlouhé vlasy mohou být zachyceny pohyblivými se díly.
- g) **Lze-li namontovat odsávací či zachycující přípravky, přesvědčte se, že jsou připojeny a správně použity.** Použití odsávací prachu může snížit ohrožení prachem.
- h) **Dbejte na to, abyste při častém používání nářadí nebyli méně ostražití a nezapomínali na bezpečnostní zásady.** Nedbalé ovládání může způsobit těžké poranění za zlomek sekundy.

4) SVĚDOMITĚ ZACHÁZENÍ A POUŽÍVÁNÍ ELEKTRONÁŘADÍ

- a) **Stroj nepřetěžujte. Pro svou práci použijte k tomu určený stroj.** S vhodným elektronářadím budete pracovat v dané oblasti výkonu lépe a bezpečněji.
- b) **Nepoužívejte žádné elektronářadí, jehož spínač je vadný.** Elektronářadí, které nelze zapnout či vypnout je nebezpečné a musí se opravit.
- c) **Než provedete seřízení stroje, výměnu dílů příslušenství nebo stroj odložíte, vytáhněte zástrčku ze zásuvky a/nebo odstraňte odpojitelný akumulátor.** Toto preventivní opatření zabrání neúmyslnému zapnutí stroje.
- d) **Uchovávejte nepoužívané elektronářadí mimo dosah dětí. Nenechte stroj používat osobám, které se strojem nejsou seznámeny nebo nečetly tyto pokyny.** Elektronářadí je nebezpečné, je-li používáno nezkušenými osobami.
- e) **Pečujte o elektronářadí a příslušenství svědomitě. Zkontrolujte, zda pohyblivé díly stroje bezvadně fungují a nevzpříčují se, zda díly nejsou zlomené nebo poškozené tak, že je omezena funkce stroje. Poškozené díly nechte před nasazením stroje opravit.** Mnoho úrazů má příčinu ve špatné údržbovém elektronářadí.
- f) **Řezné nástroje udržujte ostré a čisté.** Pečlivě ošetřované řezné nástroje s ostrými řeznými hranami se méně vzpříčují a dají se lehčeji vést.
- g) **Používejte elektronářadí, příslušenství, nasazovací nástroje apod. podle těchto pokynů. Respektujte přitom pracovní podmínky a prováděnou činnost.** Použití elektronářadí pro jiné než určující použití může vést k nebezpečným situacím.
- h) **Udržujte rukojeti a úchytné plochy suché, čisté a bez oleje amaziava.** Kluzké rukojeti a úchytné plochy neumožňují bezpečnou manipulaci a ovládání nářadí v neočekávaných situacích.

5) SERVIS

- a) **Nechte Váš stroj opravit pouze kvalifikovaným odborným personálem a pouze s originálními náhradními díly.** Tím bude zajištěno, že bezpečnost stroje zůstane zachována.

BEZPEČNOSTNÍ PŘEDPISY PRO KMITACÍ PILY

OBCENĚ

- Vždy zkontrolujte, zda je napájecí napětí stejné jako napětí uvedené na typovém štítku nástroje (nářadí určené k napájení 230V nebo 240V lze použít též v síti 220V)
- Před každým použitím zkontrolujte funkčnost nástroje a v případě poruchy jej dejte ihned opravit kvalifikovanou osobou; nástroj nikdy sami neotevírejte

- Neopracovávajte žádný materiál obsahující azbest** (azbest je karcinogenní)
- Tento nástroj nesmí používat osoby mladší 16 let
- Hladina hluku může při práci přesáhnout 85 dB(A); vhodným prostředkem si chraňte udi
- Pracujete-li s materiálem, který se snadno dtěpí, použijte ochranné brýle
- Prach z látek, jako jsou barvy obsahující olovo, některé druhy dřeva, minerály a kovy, může být škodlivý (kontakt s prachem nebo jeho vdechnutí může způsobit alergickou reakci a/nebo vyvolat respirační choroby u obsluhy nebo přihlížejících); **noste protiprachovou masku a pracujte se zařízením na odsávání prachu, pokud je možné jej připojit**
- Některé druhy prachu jsou klasifikovány jako karcinogenní (například dubový a bukový prach) zejména ve spojení s přísadami pro úpravu dřeva; **noste protiprachovou masku a pracujte se zařízením na odsávání prachu, pokud je možné jej připojit**
- Dodržujte stanovená nařízení pro práci v prašném prostředí
- Používejte zcela rozvinuté a bezpečně prodlužovací šňůry o kapacitě 16 ampér
- Před seřizováním, měněním pilových listů a příslušenství, vždy vytáhněte zástrčku nářadí z el. sítě**

PŘED POUŽITÍM

- Před začátkem řezání odstraňte z řezané dráhy všechny překážky jak nahoře tak vespod obrobku
- Vrtačku nepoužívejte je-li navlhla a nepracuje v blízkosti snadno zápalných nebo výbušných materiálů; před zahájením práce je odstraňte
- Pomocí svorek nebo jiným vhodným způsobem upevněte obráběný díl na stabilní podložku** (pokud jej budete při práci držet v ruce nebo opřeny o tělo, bude nestabilní a můžete nad ním ztratit kontrolu)

BĚHEM POUŽITÍ

- Pokud provádíte práce, při kterých může nasazovací nástroj zasáhnout skrytá elektrická vedení nebo vlastní síťový kabel, pak držte elektronářadí na izolovaných plochách rukojeti** (kontakt s vedením pod napětím může přivést napětí i na kovové díly elektronářadí a vést k úderu elektrickým proudem)
 - Pokud se zapojené nářadí nepoužívá, rukojeť se může zahřát; je to normální a nesignalizuje to závadu**
 - Šňůru udržujte vždy mimo dosah pohyblivých částí nástroje; šňůru nasměřujte dozadu, pryč od nástroje
 - Jestliže přivodní šňůru při práci podkóдите nebo prořeznete, nedotýkejte se jí a okamžitě ji vytáhněte ze síťové zásuvky
 - Pila se nesmí používat, je-li její přivodní šňůra poškozená; nechte si je kvalifikovaným pracovníkem vyměnit
 - V případě atypického chování nebo cizích hluků ihned vypněte nářadí a vytáhněte zástrčku
 - Při práci dodržujte bezpečnou vzdálenost vašich rukou od běžícího pilového listu
- ##### PŘÍSLUŠENSTVÍ
- SKIL** zajistí bezvadnou funkci nářadí pouze tehdy, používáte-li původní značkové

- Nepoužívejte pilu, je-li list prasklý, zdeformovaný nebo matný

VENKOVNÍ POUŽITÍ

- Při venkovním použití zapojte nástroj přes jistič poruchového proudu (FI) se spouštěcím proudem max. 30 mA, a používejte pouze takovou prodlužovací šňůru, která je určena pro venkovní použití a je vybavena spojovací zásuvkou chráněnou proti stříkající vodě

PO POUŽITÍ

- Jakmile se hodláte vzdálit od nářadí, měl byste ho vypnout a vyčkat, dokud se pohybující části nezastaví

LASEROVÉ ZÁŘENÍ

- **Nezaměřujte laserový paprsek na osoby ani zvířata**
- **Nedívejte se do laserového paprsku (laserové záření)**
- Nedívejte se na laserový paprsek žádným optickým zvětšovací přístrojem (jako je zvětšovací sklo, teleskop či dalekohled)
- Neprovazujte přístroj v přítomnosti vznětlivých tekutin, plynů a prachu
- Neprovazujte přístroj v přítomnosti dětí

VYSVĚTLENÍ SYMBOLŮ NA NÁŘADÍ

- ③ Před použitím si přečtěte návod k použití
- ④ Dvojité izolace (není nutný zemnicí drát)
- ⑤ Nářadí nevyhazujte do komunálního odpadu
- ⑥ **Laserové záření / Nedívejte se do paprsku / Laserový výrobek třídy 2**

OBSLUHA

- Zapnuto/vypnuto ⑦
- Regulátor rychlosti k hladkému startu ⑧
- Aretace spínače pro nepřetržitě použití ⑨
- Výměna pilových listů ⑩
- ! **pilový list zcela zasunout tak, aby zuby směřovaly vpřed ⑪**

! **použijte pouze pilové listy se stopkami typu T**

- Řezání při 15°/30°/45° ⑫
- Seřízení rychlosti řezání podle použitého materiálu ⑬
- ! **jestliže nástroj neběží správně s kolečkem D v poloze 1, zvolte si vyšší řezací rychlost a při chodu přístroje ji podle potřeby snižte**
- Odsávání prachu ⑭
 - odsávací hadice nasazená na adaptér E
 - ! **nepoužívejte vysavač při řezání kovu**
- Výběr režimu řezání ⑮
 - Páka F ② seřízte oběžnou funkci z přesného řezání (= 0) na rychlé řezání (= III)
 - 1 stupeň nastavení ("0") k přesnému řezání ve všech druzích materiálů, přímce a po křivce
 - 3 stupně nastavení k rychlému řezání v různých materiálech, pouze přímce
 - I = kov
 - II = umělá hmota
 - III = tvrdé dřevo
 - ! **při řezání štěpivého materiálu použijte vždy režim "0"**
- Laserová rýska ⑯
 - pro přesné vedení nářadí po obrobku v požadovaném směru
 - zapněte/vypněte laserové rýsky pomocí spínače G

- před započítím práce zkontrolujte zarovnání laserové rýsky s aktuální linií řezu tak, že provedete zkušební řez na kusu odpadového materiálu

- ! **nepokoušejte se nastavit laserové rýsky pomocí šroubu X, který byl předem nastaven v továrně**
- ! **neodstraňujte výstražný štítek A ② a dejte pozor, aby se nepoškodil**

Použití nástroje

- před zapnutím pily zkontrolujte, zda přední hrana patky spočívá rovně na řezaném materiálu
- uchopte nástroj pevně oběma rukama, abyste jej za vdech okolností dokonale ovládali
- ! **při práci vždy držte nástroj v šedě zabarvené oblasti rukojeti ⑰**
- zkontrolujte, zda patka spočívá celou plochou pevně na řezaném materiálu
- ! **před vyjmutím nářadí z obrobku nejdříve sečkejte do úplného zastavení pilového listu**
- udržujte větrací štěrby H ② nezakryté

NÁVOD K POUŽITÍ

- Použijte vhodné pilové listy ⑱
- ! **použijte pouze pilové listy se stopkami typu T**
- Při řezání kovů listy pravidelně naolejujte
- Pro rovné řezy možnost připojení paralelního vodička J ⑲
- K přesnému rovnému řezu vedte patku nástroje podél hrany rovného kusu dřeva ⑳
- Před vyřezáváním výkrojků si do materiálu vyvrtejte otvor ㉑
- Řezání bez štěpení
 - před řezáním nalepte na zamýšlený řez několik vrstev široké pásky
 - řezy provádějte vždy na rubu materiálu (lícem dolů)
- Další tipy najdete na www.skil.com

ÚDRŽBA / SERVIS

- Tento nástroj není určen k profesionálnímu použití
- Nástroj a přívodní šňůru udržujte čisté (zejména větrací štěrby H ②)
- ! **před čištěním odpojte zástrčku**
- Pokud dojde i přes pečlivou výrobu a náročnou kontrolu k poruše nástroje, světe provedení opravy autorizovanému servisnímu středisku pro elektronářadí firmy SKIL
 - zašlete nástroj **nerozebraný** spolu s potvrzením o nákupu své prodejně nebo nejbližšímu servisu značky SKIL (adresy a servisní schéma nástroje najdete na www.skil.com)

ŽIVOTNÍ PROSTŘEDÍ

- **Elektrické nářadí, doplňky a balení nevyhazujte do komunálního odpadu** (jen pro státy EU)
 - podle evropské směrnice 2012/19/EG o nakládání s použitými elektrickými a elektronickými zařízeními a odpovídajících ustanovení právních předpisů jednotlivých zemí se použitá elektrická nářadí, musí sbírat odděleně od ostatního odpadu a podrobit ekologicky šetrnému recyklování
 - symbol ⑤ na to upozorňuje

HLUČNOSTI / VIBRACÍ

- Měřeno podle EN 62841 činí tlak hlukové vlny tohoto přístroje 88 dB(A) a dávka hlučnosti 99 dB(A) (standardní odchylka: 3 dB), a vibrací * m/s² (vektorový součet tří os; nepřesnost K = 1,5 m/s²)
 - * při řezání dřeva 6,7 m/s²
 - * při řezání kovů 11,4 m/s²
 - Úroveň vibrací byla měřena v souladu se standardizovaným testem podle EN 62841; je možné ji použít ke srovnání jednoho přístroje s druhým a jako předběžné posouzení vystavování se vibracím při používání přístroje k uvedeným aplikacím
 - používání přístroje k jiným aplikacím nebo s jiným či špatně udržovaným příslušenstvím může zásadně **zvýšit** úroveň vystavení se vibracím
 - doba, kdy je přístroj vypnutý nebo kdy běží, ale ve skutečnosti není využíván, může zásadně **snížit** úroveň vystavení se vibracím
- ! chráňte se před následky vibrací tak, že budete dbát na údržbu přístroje a příslušenství, budete si udržovat teplé ruce a uspořádáte si své**

TR

Dekupaj testere

1061

GİRİS

- Bu cihaz, tahta, plastik, metal, keramik ve kaučuk üzerinde 45° derecelik açı ile düz ve kıvrımlı kesimler yapmaya uygundur
- Bu alet profesyonel kullanıma yönelik değildir
- Bu kullanma kılavuzunu okuyun ve saklayın ③

TEKNİK VERİLER ①

ALET BİLEŞENLERİ ②

- A Uyarı etiketi ⑥
- B Açma/kapama ve hız kontrol anahtarı
- C Anahtar kilitleme düğmesi
- D Kesme hızı ayar tekerleği
- E Elektrikli süpürge yuvası
- F Kesme modu seçme kol
- G Lazer açma/kapama anahtarı
- H Havalandırma yuvaları
- J Yan dayamak
- K Testere ucu değiştirme için Clic sistemi
- L Anahtar için depo

GÜVENLİK

GENEL ELEKTRİKLİ EL ALETİ GÜVENLİK UYARILARI

⚠ UYARI Bu elektrikli el aletiyle birlikte gelen tüm güvenlik uyarılarını, talimatları, resim ve açıklamaları okuyun. Aşağıda bulunan talimatlara uyulmaması elektrik çarpmalarına, yangınlara ve/veya ağır yaralanmalara neden olabilir.

Tüm uyarı ve talimatları ileride kullanmak üzere saklayın.

Uyarı ve talimat hükümlerinde kullanılan “elektrikli el aleti” kavramı, akım şebekesine bağlı (şebeke bağlantı kablosu ile) aletlerle akü ile çalışan aletleri (akım şebekesine bağlantısı olmayan aletler) kapsamaktadır.

1) ÇALIŞMA YERİ GÜVENLİĞİ

- a) Çalıştığınız yeri temiz ve düzenli tutun.** İşyerindeki düzensizlik veya yetersiz aydınlatma kazalara neden olabilir.
- b) Yanıcı sıvıların, gazların veya tozların bulunduğunu patlama tehlikesi olan yer ve mekânlarda aletinizle çalışmayın.** Elektrikli el aletleri, toz veya buharların tutuşmasına veya yanmasına neden olan kıvılcımlar çıkarırlar.
- c) Elektrikli el aletinizle çalışırken çocukları ve başkalarını çalışma alanınızın uzağında tutun.** Yakınızdaki bulunan kişiler dikkatinizi dağıtabilir ve bu da alet üzerindeki kontrolünüzü kaybetmenize neden olabilir.

2) ELEKTRİKSEL GÜVENLİK

- a) Aletinizin bağlantı fişi prize uymalıdır. Fişi hiçbir şekilde değiştirmeyin. Koruyucu topraklamalı aletlerle adaptörlü fiş kullanmayın.** Değiştirilmemiş, orijinal fiş ve uygun prizler elektrik çarpma tehlikesini azaltır.
 - b) Borular, kalorifer tesisatı, ısıtıcılar ve buzdolapları gibi topraklanmış yüzeylerle bedensel temasa gelmekten kaçının.** Eğer bedeniniz topraklanacak olursa yüksek bir elektrik çarpma tehlikesi ortaya çıkar.
 - c) Aletinizi yağmur ve nemden koruyun.** Elektrikli el aletinin içine suyun sızması elektrik çarpma tehlikesini yükseltir.
 - d) Kabloyu kendi amacı dışında kullanmayın; örneğin aleti kablodan tutarak taşımayın, aleti kablo ile asmayın veya kablodan çekerek fişi prizden çıkarmayın. Kabloyu aşırı sıcaktan, yağlardan, keskin kenarlı cisimlerden veya aletin hareketli parçalarından uzak tutun.** Hasarlı veya dolaşmış kablo elektrik çarpma tehlikesini yükseltir.
 - e) Elektrikli el aletinizle açık havada çalışırken mutlaka açık havada kullanılmaya müsadeleli uzatma kablosu kullanın.** Açık havada kullanılmaya uygun ve müsadeleli uzatma kablosunun kullanılması elektrik çarpma tehlikesini azaltır.
 - f) Elektrikli el aletinin nemli ortamlarda çalıştırılması şartsa, mutlaka toprak kaçağı devre kesicisi kullanın.** Toprak kaçağı devre kesicisi kullanımı elektrik çarpma tehlikesini azaltır.
- ### 3) KİŞİLERİN GÜVENLİĞİ
- a) Dikkatli olun, ne yaptığınıza dikkat edin ve elektrikli el aletinizle çalışırken makul hareket edin.** Yorgunsanız, hap, ilaç veya alkol almışsanız aletinizi kullanmayın. Aletinizi kullandığınız bir anlık dikkatsizliğiniz ciddi yaralanmalara yol açabilir.
 - b) Daima kişisel korunma donanımları ve bir koruyucu gözlük kullanın.** Elektrikli el aletinin türü ve kullanımına uygun olarak kullanacağınız toz maskesi, kaymayan sağlam iş ayakkabıları, koruyucu kask veya koruyucu kulaklık gibi kişisel korunma donanımlarını kullanmanız yaralanma tehlikesini büyük ölçüde azaltır.
 - c) Aleti yanlışlıkla çalıştırmaktan kaçının.** Akım ikmal şebekesine ve/veya aküye bağlamadan, elinize alıp taşımadan önce elektrikli el aletinin kapalı durumda

- olduğundan emin olun.** Elektrikli el aletini parmağınızın şalter üzerinde dururken taşırsanız ve alet açıkken fişi prize sokarsanız kazalara neden olabilirsiniz.
- d) **Aleti çalıştırmadan önce ayar aletlerini veya tornavidaları aletten uzaklaştırın.** Dönen alet parçasına temas halinde bulunan bir uç veya anahtar yaranamalara neden olabilir.
- e) **Kendinize çok fazla güvenmeyin. Duruşunuzun güvenli olmasına dikkat edin ve daima dengenizi koruyun.** Bu sayede aletinizi beklenmedik durumlarda daha iyi kontrol edersiniz.
- f) **Uygun iş elbiseleri giyin. Geniş giysiler giymeyin ve takı takmayın. Saçlarınızı ve giysilerinizi aletin hareketli parçalarından uzak tutun.** Bol giysiler, takılar veya uzun saçlar aletin hareketli parçaları tarafından tutulabilir.
- g) **Aletinize toz emme donanımı ve toz tutma donanımı takılabiliyorsa, bunların bağlı olup olmadığını ve doğru işlev görüp görmediklerini kontrol edin.** Toz emme donanımının kullanımı tozdan kaynaklanabilecek tehlikeleri azaltır.
- h) **Aletleri sık kullanmanız sebebiyle kazandığınız alışkanlıklar, güvenlik prensiplerine uymanızı önlememelidir.** Dikkatsiz bir hareket, bir anda ciddi yaralanmalara yol açabilir.
- 4) ELEKTRİKLİ EL ALETLERİYLE DİKKATLİ ÇALIŞMAK VE ALETİ DOĞRU KULLANMAK**
- a) **Aletinizi aşırı ölçüde zorlamayın. İşinize uygun elektrikli el aletini kullanın.** Uygun elektrikli el aleti ile belirtilen performans alanında daha iyi ve daha güvenli çalışırsınız.
- b) **Açma/kapama şalteri arızalı olan elektrikli el aletini kullanmayın.** Açılıp kapanamayan bir elektrikli el aleti tehlikelidir ve onarılması gerekir.
- c) **Alette bir ayarlama işlemine başlamadan, herhangi bir aksesuarı değiştirirken veya aleti elinizden bırakırken fişi prizden çekin veya aküyü çıkarın.** Bu önlem, elektrikli el aletinin yanlışlıkla çalışmasını önler.
- d) **Kullanım dışında iken elektrikli el aletinizi çocukların ulaşamayacağı bir yerde saklayın. Aleti kullanmayı bilmeyen veya bu güvenlik talimatını okumayan kişilerin aleti kullanmasına izin vermeyin.** Deneyimsiz kişiler tarafından kullanıldıkları takdirde elektrikli el aletleri tehlikeli olabilirler.
- e) **Elektrikli el aletinizin ve aksesuarlarının bakımını özenle yapın. Aletin hareketli parçalarının kusursuz işlev görüp görmediklerini ve sıkışmadıklarını, parçaların kırık veya hasarlı olup olmadıklarını kontrol edin, aksi takdirde alet işlevini tam olarak yerine getiremez. Aletinizi kullanmadan önce hasarlı parçaları onartın.** Birçok iş kazası aletlerin kötü ve yetersiz bakımından kaynaklanır.
- f) **Kesici uçları keskin ve temiz tutun.** İyi bakım görmüş kesici uçlar daha ender sıkıştırlar ve daha iyi yönlendirilirler.
- g) **Elektrikli el aletlerini, aksesuarı, uçları ve benzerlerini bu güvenlik talimatına uygun olarak kullanın. Aletinizi kullanırken çalışma koşullarını ve yaptığınız işi daima dikkate alın.** Elektrikli el aletlerini kendileri için öngörülen işlerin dışında kullanmak tehlikeli durumların ortaya çıkmasına neden olabilir.

- h) **Tutamak ve kavrama yüzeylerini kuru, yağsız ve temiz tutun.** Kaygan tutamak ve kavrama yüzeyleri, aletin beklenmeyen durumlarda güvenli şekilde tutulmasını ve kontrol edilmesini engeller.

5) SERVİS

- a) **Aletinizi sadece uzman bir elemana ve orijinal yedek parçaları kullanarak onartın.** Böylelikle aletin güvenliğini korumuş olursunuz.

DEKUPAJ TESTERELERİ İÇİN GÜVENLİK TALİMATI

GENEL

- Güç geriliminin, aletin özellik plakasında belirtilen voltaj değeriyle aynı olduğunu sık sık kontrol edin (230V veya 240V aletler 220V kaynağa bağlanabilir)
- Her kullanımı öncesinde cihazın çalışmasını kontrol edin, herhangi bir arıza durumunda, hiç vakit kaybetmeden yetkili servis personeli tarafından onarılmasını sağlayın, cihazı kesinlikle kendiniz açmaya çalışmayın
- **Bu aletle asbest içeren malzemeleri işlemez** (asbest kanserojen bir madde kabul edilir)
- Bu alet 16 yaşının altındaki kişiler tarafından kullanılmamalıdır
- Cihaz çalışırken gürültü seviyesi 85 dB(A) desibele kadar çıkabilir; kulak koruyucu kullanınız
- Parçacıklar çıkartan maddeler ile uğraşırken koruyucu gözlük takınız
- Kurşun içeren boya, bazı ahşap türleri, mineral ve metal gibi malzemelerden çıkan toz zararlı olabilir (tozla temasta bulunulması veya solunması operatörde veya yakında bulunan kişilerde alerjik reaksiyonlara ve/veya solunum yolu hastalıklarına neden olabilir); **toz maskesi takın ve toz ekstraksiyon cihazıyla çalışın (bağlanabiliyorsa)**
- Bazı toz tipleri (örneğin meşe ve kayın ağacı tozu), bilhassa ahşap yenileme katkı maddeleriyle birlikte, kansinojenik olarak sınıflandırılır; **toz maskesi takın ve toz ekstraksiyon cihazı ile çalışın (bağlanabiliyorsa)**
- Çalışmak istediğiniz malzemelerin, toz ile ilgili ulusal taleplerini takip ediniz
- Tamamen kusursuz ve güvenli 16 Amp uzatma kabloları kullanın
- **İsteddiğiniz ayar değişikliklerini ve aksesuar değişikliklerini yapmadan önce mutlaka prize çekin**

KULLANMADAN ÖNCE

- Kesme işlemine başlamadan önce, kesme hattı altındaki ve üstündeki bütün engelleri uzaklaştırın
- İş parçasının vida, çivi ve benzeri malzeme tarafından hasar görmemesi için dikkatli olun; çalışmaya başlamadan önce bunları çıkartın
- **İş parçasını iyice sabitlemek ve desteklemek için mengene kullanın veya diğer pratik yollara başvurun** (iş parçasını elde tutmak veya vücuda dayamak sabit olmamasına ve kontrol kaybına neden olabilir)

KULLANIM SIRASINDA

- Çalışma esnasından uç görünmeyen akım kablolarına veya kendi bağlantı kablosuna temas etme olasılığı olan işleri yaparken aleti sadece izolasyonlu tutamaklarından tutun (gerilim ileten kablolarla temas elektrikli el aletinin metal parçalarını da elektrik akımına maruz bırakabilir ve elektrik çarpmasına neden olabilir)

- **Elektriğe bağlı olmayan ve kullanılmayan durumdaki aletinizin sapı bir müddet sıcak kalabilir; bu normaldir ve bir sorun teşkil etmemektedir**
- Kabloyu her zaman aletin hareketli parçalarından uzak tutun; kabloyu arka tarafta araçtan uzakta bulundurun
- Eğer cihazı kullanırken kordon hasar görür yada kesilirse, kordona kesinlikle dokunmayınız ve derhal fişi çekiniz
- Kordon hasarlı iken cihazı kesinlikle kullanmayınız; uzman bir kişi tarafından değiştiriniz
- Elektriksel veya mekaniksel hatalı çalışma durumunda aleti hemen kapatın ve fişi çekin
- Alet açıkken ellerinizi testere

AKSESUARLAR

- SKIL sadece orjinal aksesuarlar kullanıldığında aletin düzgün çalışmasını garanti eder
- Çatlamış, eskimiş ve kör bıçakları kullanmayınız

DİSARIDA KULLANIM

- Açık havada kullanırken, cihazı maksimum 30 mA tetikleyici akımı olan bir hatalı akım (FI) devre kesicisine bağlayın ve yalnızca açık havada kullanıma uygun ve su geçirmez ara prizi olan bir uzatma kablosu kullanın

KULLANIMDAN SONRA

- Aletinizi bırakıp gitmeden önce mutlaka kapatın ve döner parçaların tam olarak durmasını bekleyin

LAZER RADYASYONU

- **Lazer ışını asla insanlara veya hayvanlara yöneltmeyin**
- **Lazer ışınına bakmayın (lazer radyasyonu)**
- Lazer ışınına bakmak için (büyüteç, teleskop veya dürbün gibi) büyüteçli hiç bir optik araç kullanmayın
- Aleti yanıcı sıvı, gaz veya toz bulunan yerlerde çalıştırmayın
- Aleti çocukların bulunduğu yerde çalıştırmayın

ALET ÜZERİNDEKİ SİMGELERİN AÇIKLAMASI

- ③ Kullanmadan önce kılavuzu okuyun
- ④ Çift yalıtım (topraklama kablosu gerekli değildir)
- ⑤ Aleti evdeki çöp kutusuna atmayınız
- ⑥ **Lazer radyasyonu / Lazer ışınına bakmayın / 2. Sınıf laser ürünü**

KULLANIM

- Açma/kapama ⑦
- Düzgün başlama için hız kontrolü ⑧
- Sürekli kullanım için anahtar kilitleme ⑨
- Testere bıçağının değiştirilmesi ⑩
- ! **testere bıçağını testere dişleri öne doğru gelecek biçimde en derin konumda sıkın ⑪**
- ! **sadece T-saft testere uçları kullanın**
- 15°/30°/45° ile kesme ⑫
- Kullanılan malzemeye göre kesme hızı ayarlama ⑬
- ! **eğer alet 1.pozisyonda D çarkı ile çalışmıyorsa, daha yüksek hızlı bir kesme hızı seçiniz ve alet çalışır haldeyken hızı azaltınız**
- Toz emme ⑭
 - üzerine emme elektrik süpürgesinin hortumunu adaptörü E takın
- ! **metalleri keserken süpürgeyi kullanmayınız**
- Kesme modu seçme ⑮
- Ayar kolu F ⑯ yardımcı ile testere bıçağı pandülü hareketi ayarını kesim yapmak için seçiniz ("0" pozisyonu düzgün kesme, "III" pozisyonu hızlı kesme)
 - 1 pozisyon ("0") kademe bütün malzeme hassas kesim ve düz + biçimli kesikler için

- 3 pozisyon değişik kademe malzemelerin kendi özelliklerine hızlı ve sadece düz kesme için
 - I = metal
 - II = plastik
 - III = sert tahta
- ! **hassas malzemeleri keserken her zaman "0" seçin**

Lazer çizgisi ⑯

- aletin, iş parçası üzerine çizilen kesme hattı üzerinde hassas biçimde yönlendirilmesini sağlar
- lazer çizgisinin konumdaki açık/kapalı anahtarını G konumuna getirerek çalıştırabilirsiniz
- bir işe başlamadan önce, bir atık malzeme parçası üzerinde deneme kesimi yaparak lazer çizgisinin gerçek kesim çizgisine göre hizasını kontrol edin
- ! **ön ayarlı üretim aşamasında X vidasını lazer çizgisine ayarlamaya çalışmayın**
- ! **uyarı etiketini A ⑰ çıkarmayın ve buna zarar vermeyin**

Aletin çalıştırılması

- cihazı çalıştırmadan önce, testere tabanının ön ucunun çalıştığını yüze üzerinde yatay olarak durmasına dikkat ediniz
- cihaz üzerinde her an kontrol sahibi olmak için, iki elinizle sıkıca tutunuz

! çalışma esnasında, aleti daima gri renkli bölge(ler)den tutun(uz) ⑱

- testere tabanının tümüyle çalıştığınız malzeme üzerinde olmasına dikkat ediniz
- ! **aleti iş parçasından çıkarmadan önce testere bıçağının tam olarak durmasını bekleyin**
- havalandırma yuvalarını H ⑲ açık tutun

UYGULAMA

- Uygun testere uçları kullanın ⑳
- ! **sadece T-saft testere uçları kullanın**
- Metalleri keserken testere ucunu yağ ile düzenli olarak yağlayın
- Paralel kesme işleri için yan mesnedi J kullanın ㉑
- Hassas düz bir kesim için, aleti ayak plakası ile tahtanın düzgün kenarından kılavuzlu olarak kullanın ㉒
- Kesikleri yapmadan önce delik açın ㉓
- Ayrılmasız kesme
 - kesme işleminden önce kesme noktasını bir kaç kat kalın bant ile kaplayın
 - malzemenin iyi yüzü daima aşağıya bakmalıdır
- Daha fazla ipucu için www.skil.com sitesini gezin

BAKIM / SERVİS

- Bu alet profesyonel kullanıma yönelik değildir
- Aleti ve kablosunu daima temiz tutun (özellikle havalandırma yuvalarını H ⑲)
- ! **temizlemeden önce, cihazın fişini prizden çekin**
- Dikkatli biçimde yürütülen üretim ve test yöntemlerine rağmen aleti arıza yapacak olursa, onarım SKIL elektrikli aletleri için yetkili bir serviste yapılmalıdır
 - aleti ambalajıyla birlikte satın alma belgenizde ekleyerek satıcınıza veya en yakın SKIL servisine ulaştırın (adresler ve aletin servis şemaları www.skil.com adresinde listelenmiştir)

ÇEVRE

- **Elektrikli aletlerini, aksesuarları ve ambalajları evdeki çöp kutusuna atmayınız** (sadece AB ülkeleri için)
 - kullanılmış elektrikli aletleri, elektrik ve elektrikli eski cihazlar hakkındaki 2012/19/EC Avrupa yönergelerine göre ve bu yönergeler ulusal hukuk kurallarına göre uyarlanarak, ayrı olarak toplanmalı ve çevre şartlarına uygun bir şekilde tekrar değerlendirmeye gönderilmelidir
 - sembol ⑤ size bunu anımsatmalıdır

GÜRÜLTÜ / TİTREŞİM

- Ölçülen EN 62841 göre ses basıncı bu makinanın seviyesi 88 dB(A) ve çalışma sırasındaki gürültü 99 dB(A) (standart sapma: 3 dB), ve titreşim * m/s² (üç yönün vektör toplamı; tolerans K = 1,5 m/s²)
 - * tahta keserken 6,7 m/s²
 - * metalleri keserken 11,4 m/s²
 - Titreşim emisyon seviyesi EN 62841 'te sunulan standart teste göre ölçülmüştür; bu seviye, bir aleti bir başkasıyla karşılaştırmak amacıyla ve aletin söz konusu uygulamalarda kullanılması sırasında titreşime maruz kalma derecesinin ön değerlendirmesi olarak kullanılabilir
 - aletin farklı uygulamalar için veya farklı ya da bakımı yetersiz yapılmış aksesuarlarla kullanılması, maruz kalma seviyesini belirgin biçimde **arttırabilir**
 - aletin kapalı olduğu veya çalıştığı ancak gerçek anlamda iş yapmadığı zamanlarda, maruz kalma seviyesi belirgin biçimde **azalabilir**
- ! aletin ve aksesuarlarının bakımını yaparak, ellerinizi sıcak tutarak ve iş modellerinizi düzenleyerek kendinizi titreşimin etkilerinden koruyun**

PL

Wyrzynarka

1061

WSTĘP

- Narzędzie jest przeznaczone do cięcia i wycinania w drewnie, plastyku, metalu, płytkach ceramicznych i w gumie; nadaje się do cięcia prostego i krzywoliniowego o kącie nachylenia do 45°
- Narzędzie nie jest przeznaczone do zastosowań profesjonalnych
- Przeczytać i zachować niniejszą instrukcję obsługi ③

DANE TECHNICZNE ①

ELEMENTY NARZĘDZIA ②

- A Etykieta z ostrzeżeniem ⑥
- B Przycisk włącznik/wyłącznik i regulator prędkości
- C Przycisk blokady włącznika
- D Pokrętko do regulacji prędkości cięcia
- E Króciec do węża odkurzacza
- F Dźwignia wyboru trybu cięcia
- G Włącznik/wyłącznik laserowy
- H Szczeliny wentylacyjne

- J Prowadnica równoległa
- K Clic system wymiany brzeszczotów pił
- L Schowek na klucz

BEZPIECZEŃSTWO

OGÓLNE OSTRZEŻENIA DOTYCZĄCE BEZPIECZEŃSTWA UŻYTKOWANIA ELEKTRONARZĘDZIA

! OSTRZEŻENIE Należy przeczytać wszystkie ostrzeżenia i wskazówki dotyczące bezpieczeństwa użytkowania oraz przestudiować wszystkie rysunki i parametry techniczne, dostarczone wraz z niniejszym elektronnarzędziem. Nieprzestrzeganie poniższych wskazówek może stać się przyczyną porażenia prądem elektrycznym, pożaru lub/i poważnych obrażeń ciała.

Wszystkie ostrzeżenia i wskazówki należy zachować do dalszego zastosowania.

Użyte w poniższym tekście pojęcie "elektronnarzędzie" odnosi się do elektronnarzędzi zasilanych energią elektryczną z sieci (z przewodem zasilającym) i do elektronnarzędzi zasilanych akumulatorami (bez przewodu zasilającego).

1) BEZPIECZEŃSTWO MIEJSCA PRACY

- a) **Miejsce pracy należy utrzymywać w czystości i dobrze oświetlone.** Nieporządek lub nie oświetlone miejsce pracy mogą doprowadzić do wypadków.
- b) **Nie należy pracować tym narzędziem w otoczeniu zagrożonym wybuchem, w którym znajdują się np. łatwopalne ciecze, gazy lub pyły.** Elektronnarzędzia wytwarzają iskry, które mogą podpałić ten pył lub pary.
- c) **Elektronnarzędzie trzymać podczas pracy z daleka od dzieci i innych osób.** Przy nieuwadze można stracić kontrolę nad narzędziem.

2) BEZPIECZEŃSTWO ELEKTRYCZNE

- a) **Wtyczka urządzenia musi pasować do gniazda. Nie wolno modyfikować wtyczki w jakikolwiek sposób. Nie należy używać wtyczek adapterowych razem z uziemionymi narzędziami.** Niezmienione wtyczki i pasujące gniazda zmniejszają ryzyko porażenia prądem.
- b) **Należy unikać kontaktu z uziemionymi powierzchniami jak rury, grzejniki, piece i lodówki.** Istnieje zwiększone ryzyko porażenia prądem, gdy Państwa ciało jest uziemnione.
- c) **Urządzenie należy przechowywać zabezpieczone przed deszczem i wilgocią.** Wniknięcie wody do elektronnarzędzia podwyższa ryzyko porażenia prądem.
- d) **Nigdy nie należy używać kabla do innych czynności. Nigdy nie używać kabla do noszenia urządzenia za kabel, zawieszania lub do wyciągania wtyczki z gniazda. Kabel należy trzymać z daleka od wysokich temperatur, oleju, ostrych krawędzi lub ruchomych części urządzenia.** Uszkodzone lub poplątane kable zwiększają ryzyko porażenia prądem.
- e) **W przypadku, kiedy elektronnarzędziem pracuje się na świeżym powietrzu należy używać kabla przedłużającego, który dopuszczony jest do używania na zewnątrz.** Użycie dopuszczonego do

używania na zewnątrz kabla przedłużającego zmniejsza ryzyko porażenia prądem.

- f) **Jeżeli nie da się uniknąć zastosowania elektronarzędzia w wilgotnym otoczeniu, należy użyć wyłącznika ochronnego różnicowo-prądowego.** Zastosowanie wyłącznika ochronnego różnicowo-prądowego zmniejsza ryzyko porażenia prądem.

3) BEZPIECZEŃSTWO OSÓB

- a) **Należy być uważnym, uważać na to co się robi i pracę elektronarzędziem rozpoczynać z rozsądkiem. Nie należy używać urządzenia gdy jest się zmęczonym lub pod wpływem narkotyków, alkoholu lub lekarstw.** Moment nieuwagi przy użyciu urządzenia może doprowadzić do poważnych urażeń ciała.

- b) **Należy nosić osobiste wyposażenie ochronne i zawsze okulary ochronne.** Noszenie osobistego wyposażenia ochronnego jak maska przeciwpyłowa, nie ślizgające się buty robocze, hełm ochronny lub ochrona słuchu, w zależności od rodzaju i zastosowania elektronarzędzia zmniejsza ryzyko obrażeń ciała.

- c) **Należy unikać niezamierzonego uruchomienia narzędzia. Przed włożeniem wtyczki do gniazdka i/ lub podłączeniem do akumulatora, a także przed podniesieniem lub przeniesieniem elektronarzędzia, należy upewnić się, że elektronarzędzie jest wyłączone.** Trzymanie palca na wyłączniku podczas przenoszenia elektronarzędzia lub podłączenie do prądu włączonego narzędzia, może stać się przyczyną wypadków.

- d) **Zanim urządzenie zostanie włączone należy usunąć narzędzia nastawcze lub klucze.** Narzędzie lub klucz, które znajdują się w ruchomych częściach urządzenia mogą doprowadzić do obrażeń ciała.

- e) **Nie należy przeceniać swoich możliwości. Należy dbać o bezpieczną pozycję pracy i zawsze utrzymywać równowagę.** Przez to możliwa jest lepsza kontrola urządzenia w nieprzewidzianych sytuacjach.

- f) **Należy nosić odpowiednie ubranie. Nie należy nosić luźnego ubrania lub biżuterii. Włosy i ubranie należy trzymać z daleka od ruchomych elementów .[e]** Luźne ubranie, biżuteria lub długie włosy mogą zostać pociągnięte przez poruszające się części.

- g) **W przypadku, kiedy możliwe jest zamontowanie urządzeń odsysających lub podchwytyjących należy upewnić się, czy są one właściwie podłączone i prawidłowo użyte.** Użycie urządzenia odsysającego pył może zmniejszyć zagrożenie pyłami.

- h) **Nie wolno pozwolić, aby rutyna nabyta w wyniku wielokrotnego użycia elektronarzędzia, zastąpiła ściśle przestrzeganie zasad bezpieczeństwa.** Niedbale obsługiwane elektronarzędzie może w ułamku sekundy wyrządzić istotne szkody lub spowodować ciężkie obrażenia.

4) UWAŻNE OBCOWANIE ORAZ UŻYCIE ELEKTRONARZĘDZIA

- a) **Nie należy przeciążać urządzenia. Do pracy używać należy elektronarzędzia, które jest do tego przewidziane.** Odpowiednim narzędziem pracuje się lepiej i bezpieczniej w podanym zakresie sprawności.
- b) **Nie należy używać elektronarzędzia, którego włącznik/wyłącznik jest uszkodzony.**

Elektronarzędzie, którego nie można włączyć lub wyłączyć jest niebezpieczne i musi zostać naprawione.

- c) **Przed rozpoczęciem jakichkolwiek prac nastawczych, przed wymianą osprzętu lub przed odłożeniem elektronarzędzia należy wyjąć wtyczkę z gniazda sieciowego i/lub usunąć akumulator.** Ten środek ostrożności zapobiega niezamierzonemu włączeniu się urządzenia.

- d) **Nie używane elektronarzędzia należy przechowywać poza zasięgiem dzieci. Nie należy udostępniać narzędzia osobom, które jego nie umieją lub nie przeczytały tych przepisów.** Używane przez niedoświadczone osoby elektronarzędzia są niebezpieczne.

- e) **Elektronarzędzia i osprzęt należy utrzymywać w nienagannym stanie technicznym. Należy kontrolować, czy ruchome części urządzenia funkcjonują bez zarzutu i nie są zablokowane, czy części nie są pęknięte lub uszkodzone, co mogłoby mieć wpływ na prawidłowe funkcjonowanie urządzenia. Uszkodzone narzędzie należy przed użyciem urządzenia oddać do naprawy.** Wiele wypadków spowodowanych jest przez niewłaściwą konserwację elektronarzędzi.

- f) **Osprzęt tnący należy utrzymywać ostry i czysty.** Starannie pielęgnowany osprzęt tnący z ostrymi krawędziami tnącymi blokuje się rzadziej i łatwiej się używa.

- g) **Elektronarzędzia, osprzęt, narzędzia itd. należy używać odpowiednio do tych przepisów. Uwzględnić należy przy tym warunki pracy i czynność do wykonania.** Użycie elektronarzędzi do innych niż przewidziane prace może doprowadzić do niebezpiecznych sytuacji.

- h) **Uchwyty i powierzchnie chwytowe powinny być zawsze suche, czyste, niezabrudzone olejem ani smarem.** Śliskie uchwyty i powierzchnie chwytowe nie pozwalają na bezpieczne trzymanie narzędzia i kontrolę nad nim w nieoczekiwanych sytuacjach.

5) SERWIS

- a) **Naprawę urządzenia należy zlecić jedynie wykwalifikowanemu fachowcowi i przy użyciu oryginalnych części zamiennych.** To gwarantuje, że bezpieczeństwo użytkowania zostanie zachowane.

PRZEPISY BEZPIECZEŃSTWA DO WYRZYNARKI

OGÓLNE

- Każdorazowo należy sprawdzać, czy napięcie zasilania jest zgodne z napięciem podanym na tabliczce znamionowej urządzenia (narzędzia na napięcie znamionowe 230V lub 240V zasilac można także napięciem 220V)
- Sprawdzić, czy urządzenie działa prawidłowo; w przypadku uszkodzenia naprawy powinien dokonać wykwalifikowany personel techniczny; nigdy nie otwierać samemu urządzenia
- **Nie należy obrabiać materiału zawierającego azbest** (azbest jest rakotwórczy)
- Narzędzie nie powinny używać dzieci poniżej 16 roku życia
- Poziom hałas podczas pracy może przekraczać 85 dB(A); używać nasuszniki do ochrony słuchu

- Podczas pracy z materiałami wytwarzającymi wióry nosić okulary ochronne
- Pył pochodzący z takich materiałów, jak farby zawierające ołów, niektóre gatunki drzewa, minerały i metal może być szkodliwy (kontakt z nim lub wdychanie takiego pyłu może powodować reakcje alergiczne i/lub niewydolność oddechową u operatora lub osób towarzyszących); **należy zakładać maskę przeciwpyłową i pracować z urządzeniem odsysającym, jeżeli można je podłączyć**
- Niektóre rodzaje pyłu są zaklasyfikowane jako rakotwórcze (takie, jak pył dębu i buka) szczególnie w połączeniu z dodatkami do kondycjonowania drewna; **należy zakładać maskę przeciwpyłową i pracować z urządzeniem odsysającym pył, jeżeli można je podłączyć**
- Należy stosować się do lokalnych wymogów dotyczących pracy w otoczeniu pyłu powstającego podczas obróbki materiału
- W przypadku korzystania z kabla przedłużającego należy zwrócić uwagę, aby był maksymalnie nawinięty na bęben oraz był przystosowany do przewodzenia prądu o natężeniu przynajmniej 16 A
- **Przed przystąpieniem do wykonywania jakichkolwiek czynności przy narzędziu, w czasie przerwy w pracy jak również po jej zakończeniu wyjąć wtyczkę z gniazda sieciowego**

PRZED UŻYCIEM

- Przed przystąpieniem do obróbki należy usunąć wszelkie przeszkody znajdujące się po obu stronach obrabianego przedmiotu wzdłuż linii cięcia
- Uwaga na gwoździe, śruby i inne twarde przedmioty; przed przystąpieniem do obróbki powinny być usunięte z obrabianego przedmiotu; usunąć je przed rozpoczęciem pracy
- **Używać kleszczy lub innych narzędzi do zabezpieczenia i podparcia obrabianego materiału do stabilnej powierzchni** (trzymanie części w ręku lub opieranie jej o ciało może prowadzić do utraty kontroli)

PODCZAS UŻYWANIA

- **Podczas wykonywania prac, przy których narzędzie robocze mogłoby natrafić na ukryte przewody elektryczne lub na własny przewód zasilający, elektronarzędzie należy trzymać za izolowane powierzchnie rękojeści** (kontakt z przewodem sieci zasilającej może spowodować przekazanie napięcia na części metalowe elektronarzędzia, co mogłoby spowodować porażenie prądem elektrycznym)
- **Kiedy narzędzie jest podłączone do sieci, a nie jest używane, uchwyt może się nagrzewać; takie zjawisko jest normalne i nie oznacza wady narzędzia**
- Kabel zasilający powinien stale znajdować się w bezpiecznej odległości od wirującej części elektronarzędzia; kabel zasilający zawsze prowadzić z tyłu elektronarzędzia
- W przypadku uszkodzenia lub przecięcia przewodu podczas pracy, nie wolno go dotykać, tylko należy natychmiast wyciągnąć z gniazdka wtyczkę
- Pod żadnym pozorem nie wolno korzystać z narzędzia z uszkodzonym przewodem; zlecę jego wymianę wykwalifikowanej osobie

- W przypadku wadliwego działania mechanicznych lub elektrycznych elementów urządzenia, należy bezzwłocznie odłączyć narzędzie i wyjąć wtyczkę
- Nie zbliżać rąk do obracającej się piły tarczowej

AKCESORIA

- SKIL może zagwarantować bezawaryjne działanie narzędzia tylko przy korzystaniu z oryginalnego wyposażenia dodatkowego
- Nie używać pękniętego, odkształconego lub tępego brzeszczotu

STOSOWANIE NA DWORZE

- Pracując na otwartym powietrzu podłączyć urządzenie za pośrednictwem wyłącznika prądu zaktłócenowego (FI), wyzwanego prądem o natężeniu nie przekraczającym 30 mA; używać wyłącznika specjalnego przedłużacza do pracy na otwartym powietrzu wyposażonego w bryzgoszczelne gniazdo sprzęgające

PO UŻYCIU

- Przed pozostawieniem elektronarzędzia należy odłączyć zasilanie elektryczne i odczekać do całkowitego zatrzymania się wrzeciona

PROMIEN LASERA

- **Nie kieruj wiązki lasera w stronę ludzi lub zwierząt**
- **Nie patrz w wiązkę światła lasera (promień lasera)**
- Nie używaj żadnych optycznych przyrządów powiększających (jak soczewki powiększające, teleskopy lub lornetki) do spoglądania w wiązkę lasera
- Nie używaj narzędzia w obecności palnych cieczy, gazów lub pyłów
- Nie używaj narzędzia przy dzieciach

OBJAŚNIENIE SYMBOLI NA NARZĘDZIU

- ③ Przed użyciem przeczytaj instrukcję obsługi
- ④ Podwójna izolacja (brak uziemienia)
- ⑤ Nie wyrzucaj narzędzie wraz z odpadami z gospodarstwa domowego
- ⑥ **Promieniowanie laserowe / Nie spoglądaj w wiązkę / Wyrób laserowy klasy 2**

UŻYTKOWANIE

- Włącznik/wyłącznik ⑦
 - Regulacja prędkości dla płynnego startu ⑧
 - Blokada włącznika dla pracy ciągłej ⑨
 - Wymiana brzeszczotów pił ⑩
 - ! **umieścić brzeszczot w uchwycie użębieniem do przodu wciskając go do końca** ⑪
 - ! **tylko używać brzeszczotów pił z uchwytem typu T**
 - Cięcie pod kątem 15°/30°/45° ⑫
 - Dostosowanie szybkości cięcia do rodzaju materiału ⑬
 - ! **jeśli narzędzie nie porusza się przy pokręto D w położeniu 1, należy wybrać wyższą szybkość cięcia i obniżyć ją z chwilą wprawienia narzędzia w ruch**
 - Odsysanie pyłu ⑭
 - wąż odkurzacza przyłączyć do króćca E
 - ! **nie używać odsysacza podczas cięcia metalu**
 - Wybieranie trybu cięcia ⑮
- Do regulacji ruchu wahlignego należy używać dźwignia F
- ② od cięcia dokładnego (= 0) do cięcia szybkiego (= III)
 - 1 położenie ("0") do cięcia dokładnego we wszystkich materiałach, prosto- i krzywoliniowego
 - 3 położenia do cięcia szybkiego w różnych materiałach, wyłącznie prostoliniowego

- I = metal
- II = plastik
- III = twarde drzewo

! przy cięciu materiałów łupliwych należy zawsze wybierać tryb "0"

- Linie laserowe ⑱
 - pokazuje pozycję piły tarczowej przy cięciu wzdłuż uprzednio naniesionej linii
 - włączanie/wyłączanie linie laserowe przez naciśnięcie włącznika G
 - przed rozpoczęciem pracy należy sprawdzić, czy linie laserowe pokrywają się z rzeczywistą linią cięcia, wykonując cięcie próbne na kawałku materiału odpadowego
- ! proszę nie próbować regulować linii lasera za pomocą śruby X ustawionej prawidłowo podczas produkcji**
- ! nie usuwaj i nie niszc ostrzegawczych znaków A ②**
- Obsługa narzędzia
 - przed włączeniem narzędzia upewnić się, że stopa jest ułożona płasko na obrabianym materiale
 - trzymać narzędzie mocno obiema rękoma, tak aby przez cały czas nad nim panować
- ! podczas pracy zawsze trzymać narzędzie za uchwyt(y) ograniczone szarym kolorem ⑰**
- zapewnić pewne dociśnięcie całej powierzchni stopy wyrzynarki do obrabianego przedmiotu
- ! przed podniesieniem narzędzia z obrabianego materiału należy się upewnić, że ostrze zatrzymało się w pełni**
- szczeliny wentylacyjne H ② powinny być odkryte

WSKAZÓWKI UŻYTKOWANIA

- Używać właściwych brzeszczotów pił ⑱
- ! tylko używać brzeszczotów pił z uchwytem typu T**
- Podczas cięcia metalu regularnie zwilżać olejem brzeszczot piły
- Stosować prowadnicę równoległą J do cięcia równoległego ⑱
- Podczas dokładnego cięcia prostoliniowego prowadzić podstawę narzędzia przy prostym kawałku drewna ⑳
- Przy wykonywaniu wycięć wywiercić wcześniej otwór ㉑
- Cięcie bez odłupywania krawędzi
 - przed piłowaniem linię cięcia zakleić kilkoma warstwami szerokiej taśmy klejącej
 - eksponowaną stronę piłowanego materiału zawsze układać do dołu
- Więcej wskazówek można znaleźć pod adresem www.skil.com

KONSERWACJA / SERWIS

- Narzędzie nie jest przeznaczone do zastosowań profesjonalnych
- Zawsze dbać o czystość narzędzia i przewodu zasilającego (a szczególnie otworów wentylacyjnych H ②)
- ! przed przystąpieniem do czyszczenia należy wyjąć wtyk z gniazda sieciowego**
- Jeśli narzędzie, mimo dokładnej i wszechstronnej kontroli produkcyjnej ulegnie kiedykolwiek awarii, naprawę

powinien przeprowadzić autoryzowany serwis elektronarzędzi firmy SKIL

- odesłać **nierozebrany** narzędzie, wraz z dowodem zakupu, do dealera lub do najbliższego punktu usługowego SKIL (adresy oraz diagram serwisowy narzędzenia znajdują się na stronach www.skil.com)

ŚRODOWISKO

- **Nie wyrzucaj elektronarzędzi, akcesoriów i opakowania wraz z odpadami z gospodarstwa domowego** (dotyczy tylko państw UE)
 - zgodnie z Europejską Dyrektywą 2012/19/WE w sprawie zużytego sprzętu elektrotechnicznego i elektronicznego oraz dostosowaniem jej do prawa krajowego, zużyte elektronarzędzia należy posegregować i zutylizować w sposób przyjazny dla środowiska
 - w przypadku potrzeby pozbycia się narzędzia, akcesoriów i opakowania - symbol ⑤ przypomni Ci o tym

HAŁASU / WIBRACJE

- Pomiarów dokonano zgodnie z normą EN 62841 ciśnienie akustyczne narzędzia wynosi 88 dB(A) zaś poziom mocy akustycznej 99 dB(A) (poziom odchylenie: 3 dB), zaś wibracje * m/s² (suma wektorowa z trzech kierunków; błąd pomiaru K = 1,5 m/s²)
 - * podczas cięcia drewna 6,7 m/s²
 - * podczas cięcia metalu 11,4 m/s²
- Poziom emisji wibracji został zmierzony zgodnie z testem standaryzowanym podanym w EN 62841; może służyć do porównania jednego narzędzia z innym i jako ocena wstępna narażenia na wibracje w trakcie używania narzędzia do wymienionych zadań
 - używanie narzędzia do innych zadań, lub z innymi albo źle utrzymanymi akcesoriami, może znacząco **zwiększyć** poziom narażenia
 - przypadki, kiedy narzędzie jest wyłączone lub jest czynne, ale aktualnie nie wykonuje zadania, mogą znacząco **zmniejszyć** poziom narażenia
- ! należy chronić się przed skutkami wibracji przez konserwację narzędzia i jego akcesoriów, zakładanie rękawic i właściwą organizację pracy**

UA

Електричний лобзик

1061

ВСТУП

- Цей інструмент призначений для вирізання отворів та виконання пропилів у деревині, пластмасі, металі, керамічній плитці та гумі; може використовуватись для вирізання по прямій та під кутом 45°
- Цей інструмент не придатний для промислового використання
- Прочитайте і збережіть цю Інструкцію з експлуатації ③

ТЕХНІЧНІ ДАНІ ①

ЕЛЕМЕНТИ ІНСТРУМЕНТА ②

- A Попереджувальна етикетка ⑥
- B Вимикач для вкл/викл та регулювання швидкості
- C Кнопка блокування вимикача
- D Колесо для регулювання швидкості розпилювання
- E Подовжувач для пилюсосу
- F Важіль вибору режиму розпилювання
- G Лазер вимикача
- H Вентиляційні отвори
- J Направляюча планка
- K Система Clc для заміни лез пили
- L Контейнер для збереження ключа

БЕЗПЕКА

ЗАГАЛЬНІ ВКАЗІВКИ З ТЕХНІКИ БЕЗПЕКИ ПОВОДЖЕННЯ З ЕЛЕКТРОІНСТРУМЕНТАМИ

⚠ ПОПЕРЕДЖЕННЯ Прочитайте всі вказівки з техніки безпеки, інструкції, ілюстрації та специфікації, надані з цим електроінструментом. Невиконання усіх поданих нижче інструкцій може призвести до ураження електричним струмом, пожежі і/або серйозної травми.

Добре зберігайте на майбутнє ці попередження і вказівки.

Під поняттям "електроприлад" в цих попередженнях мається на увазі електроприлад, що працює від мережі (з електрокабелем) або від акумуляторної батареї (без електрокабелю).

1) БЕЗПЕКА НА РОБОЧОМУ МІСЦІ

- a) **Прймайте своє робоче місце в чистоті та прибирайте його.** Безлад або погане освітлення на робочому місці можуть призводити до нещасних випадків.
- b) **Не працюйте з приладом у середовищі, де існує небезпека вибуху внаслідок присутності горючих рідин, газів або пилу.** Електроприлади можуть породжувати іскри, від яких може займатися пил або пари.
- c) **Під час працювання з приладом не підпускайте до робочого місця дітей та інших людей.** Ви можете втратити контроль над приладом, якщо Ваша увага буде відвернута.

2) ЕЛЕКТРИЧНА БЕЗПЕКА

- a) **Штепсель приладу повинен пасувати до розетки. Не дозволяється що-небудь міняти в штепселі.** Для роботи з приладами, що мають захисне заземлення, не використовуйте адаптери. Використання оригінального штепселя та належної розетки зменшує ризик удару електричним струмом.
- b) **Уникайте контакту частей тіла із заземленими поверхнями, як напр., трубами, батареями опалення, печами та холодильниками.** Коли Ваше тіло заземлене, існує збільшена небезпека удару електричним струмом.
- c) **Захищайте прилад від дощу та вологи.** Попадання води в електроінструмент збільшує ризик удару електричним струмом.

- d) **Не використовуйте кабель для перенесення приладу, підвішування або витягування штепселя з розетки. Захищайте кабель від жару, олії, гострих країв та деталей приладу, що рухаються.** Пошкодження або закручений кабель збільшує ризик удару електричним струмом.
 - e) **Для зовнішніх робіт обов'язково використовуйте лише такий подовжувач, що допущений для зовнішніх робіт.** Використання подовжувача, що розрахований на зовнішні роботи, зменшує ризик удару електричним струмом.
 - f) **Якщо не можна запобігти використанню електроприладу у вологому середовищі, використовуйте пристрій захисту від витону в землю.** Використання зрострою захисту від витону в землю зменшує ризик удару електричним струмом.
- ### 3) БЕЗПЕКА ЛЮДЕЙ
- a) **Будьте уважними, слідкуйте за тим, що Ви робите, та розсудливо поводитесь під час роботи з електроприладом. Не користуйтеся приладом, якщо Ви стомлені або знаходитеся під дією наркотиків, спиртних напоїв або лік.** Мить неуважності при користуванні приладом може призводити до серйозних травм.
 - b) **Вдягайте особисте захисне спорядження та обов'язково вдягайте захисні окуляри.** Вдягання особистого захисного спорядження, як напр., - в залежності від виду робіт - захисної маски, спецвзуття, що не ковзається, наски або навушників, зменшує ризик травм.
 - c) **Уникайте ненавмисного вмикання. Перш ніж вмикати електроприлад в електромережу або встромляти акумуляторну батарею, брати його в руки або переносити, впевніться в тому, що електроприлад вимкнений.** Тримання пальця на вимикачі під час перенесення електроприладу або встромляння в розетку увімкненого приладу може призводити до травм.
 - d) **Перед тим, як вмикати прилад, приберіть налагоджувальні інструменти та гайковий ключ.** Знаходження налагоджувального інструмента або ключа в деталі, що обертається, може призводити до травм.
 - e) **Не переоцінюйте себе. Зберігайте стійке положення та завжди зберігайте рівновагу.** Це дозволить Вам краще зберігати контроль над приладом у несподіваних ситуаціях.
 - f) **Вдягайте придатний одяг. Не вдягайте просторий одяг та прикраси. Не підставляйте волосся й одяг до деталей, що рухаються.** Просторий одяга, прикраси та довге волосся можуть попадати в деталі, що рухаються.
 - g) **Якщо існує можливість монтувати пилорозмонтувальні або пилорозв'язувальні пристрої, перенаойтеся, щоб вони були добре під'єднані та правильно використовувалися.** Використання пилорозмонтувального пристрою може зменшити небезпеки, зумовлені пилом.
 - h) **Добре знання електроінструментів, отримане в результаті частого їх використання, не повинно призводити до самовпевненості й ігнорування принципів техніки безпеки.** Необережна дія може в одну мить призвести до важкої травми.

4) ПРАВИЛЬНЕ ПОВОДЖЕННЯ ТА КОРИСТУВАННЯ ЕЛЕКТРОПРИЛАДАМИ

- a) **Не перевантажуйте прилад. Використовуйте такий прилад, що спеціально призначений для певної роботи.** З придатним приладом Ви з меншим ризиком отримаєте кращі результати роботи, якщо будете працювати в зазначеному діапазоні потужності.
 - b) **Не користуйтеся приладом з пошкодженим вимикачем.** Прилад, який не можна увімкнути або вимкнути, є небезпечним і його треба відремонтувати.
 - c) **Перед тим, як регулювати що-небудь на приладі, міняти приладдя або ховати прилад, витягніть штепсель із розетки та/або витягніть акумуляторну батарею, якщо вона знімається.** Ці попереджувальні заходи з техніки безпеки зменшують ризик ненавмисного запуску приладу.
 - d) **Зберігайте електроприлади, якими Ви саме не користуетесь, далеко від дітей. Не дозволяйте користуватися електроприладом особам, що не знайомі з його роботою або не читали ці вказівки.** У разі застосування недосвідченими особами прилади несуть в собі небезпеку.
 - e) **Старанно доглядайте за електроінструментами і приладдям.** Перевірте, щоб рухомі деталі приладу бездоганно працювали та не заїдали, не були поламаними або настільки пошкодженими, щоб це могло вплинути на функціонування приладу. Пошкоджені деталі треба відремонтувати в авторизованій майстерні, перш ніж ними можна знову користуватися. Велика кількість нещасних випадків спричиняється поганим доглядом за електроприладами.
 - f) **Тримайте різальні інструменти добре нагостреними та в чистоті.** Старанно доглянуті різальні інструменти з гострим різальним краєм менше застряють та їх легше вести.
 - g) **Використовуйте електроприлади, приладдя до них, робочі інструменти т.і. відповідно до цих вказівок.** Беріть до уваги при цьому умови роботи та специфіку виконуваної роботи. Використання електроприладів для робіт, для яких вони не передбачені, може призводити до небезпечних ситуацій.
 - h) **Тримайте рукоятки і поверхні захвату сухими і чистими, слідуйте, щоб на них не було оливи або густо мастила.** Слизькі рукоятки і поверхні захвату унеможливають безпечне поводження з електроінструментом та його контролювання в неочікуваних ситуаціях.
- 5) СЕРВІС
- a) **Віддавайте свій прилад на ремонт лише кваліфікованим фахівцям та лише з використанням оригінальних запчастин.** Це забезпечить безпечність приладу на довгий час.

ВКАЗІВКИ ПО БЕЗПЕЦІ ДЛЯ ЕЛЕКТРИЧНИХ ЛОБЗИКІВ

ЗАГАЛЬНЕ

- Перед роботою перевірте відповідність струму в мережі із струмом, позначений на інструменті

(інструменти, розраховані на 230В або 240В, також можуть підключатися до мережі 220В)

- Перевіряйте працездатність інструменту перед кожним його використанням та, у випадку виявлення несправності, віднесіть його до кваліфікованого спеціаліста; ні, в якому разі не відкривайте інструмент самотужки
 - **Не обробляйте матеріали, що містять асбест** (асбест вважається канцерогенним)
 - Цей інструмент не можна використовувати особам віком до 16 років
 - Рівень шуму при роботі може перевищувати 85 дБ(а); використовуйте навушники
 - Під час роботи з крижкими та розсіпчастими матеріалами обов'язково одягайте захисні окуляри
 - Пил від таких матеріалів, як свинцовоутримуюча фарба, деякі породи дерева, мінерали й метал, може бути шкідливим (контакт із таким пилом або його вдихання може стати причиною виникнення в оператора або осіб, що перебувають поруч, алергічних реакцій і/або респіраторних захворювань); **надягайте респіратор і працюйте з пиловидальючим пристроєм під час увімкнення інструмента**
 - Деякі види пилу класифікуються як канцерогенні (наприклад, дубовий або буковий пил), особливо в сполученні з добавками для кондиціонування деревини; **надягайте респіратор і працюйте з пиловидальючим пристроєм під час увімкнення інструмента**
 - Слідуйте інструкціям по роботі з матеріалами, продукуючими пил
 - Використовуйте повністю розгорнений шнур подовжувача, який може витримувати навантаження в 16 Ампер
 - **Перед регулюванням або заміною приладдя обов'язково вийміть вилку із сітьової розетки ПЕРЕД ВИКОРИСТАННЯМ**
 - Перш ніж почати розпилювання, видаліть всі перешкоди на поверхні та під лінією розпилу
 - Не допускайте пошкоджень, які можуть нанести шурупи, цвяхи і інші елементи вашої виробу; видаліть їх перед початком роботи
 - **Застосовуйте затискачі або інші засоби фіксації та опори виробу на стабільній платформі** (затискання виробу руками або з притисканням до тіла робить його нестабільним та може призвести до втрати контролю за інструментом)
- ПІД ЧАС ВИКОРИСТАННЯ**
- **При роботях, коли робочий інструмент може зачепити заховану електропроводку або власний шнур живлення, тримайте електроінструмент за ізольовані рукоятки** (зачеплення проводки, що знаходиться під напругою, може заряджувати також і металеві частини електроінструмента та призводити до удару електричним струмом)
 - **Коли інструмент під'єднаний до мережі але знаходиться в неактивному стані, рукоятка нагрівається; це нормально і не говорить про несправність приладу**

- Не дозволяйте шнуру живлення стикатися з рухомими частинами інструменту; завжди викладайте шнур за задньою частиною інструменту
- Якщо шнур пошкоджений або прорізаний при роботі, не доторкайтеся до нього і негайно витягніть його з розетки
- Ніколи не використовуйте інструмент з пошкодженим шнуром; його повинен замінити кваліфікований фахівець
- У разі електричної або механічної несправності, негайно відключите інструмент і вимкніть з розетки
- Тримайте руки подалі від пилки коли інструмент працює

АКСЕСУАРИ

- SKIL гарантує надійну роботу інструмента тільки при використанні відповідного приладдя
- Не використовуйте тупі, деформовані та поламані пилки

ВИКОРИСТАННЯ ПОЗА ПРИМІЩЕННЯМ

- При роботі на дворі підключайте інструмент через запобіжник короткого замикання (FI) із максимальним пусковим струмом 30 мА та використовуйте подовжувач, призначений для зовнішніх робіт, що обладнаний захистом від бризів

ПІСЛЯ ВИКОРИСТАННЯ

- Коли ви закінчили роботу з інструментом, вимкніть мотор і переконайтеся, що всі рухомі частини повністю зупинилися

ЛАЗЕРНЕ ВИПРОМІНЮВАННЯ

- **Не спрямовуйте промінь лазера на людей чи тварин**
- **Не дивіться в промінь лазера (лазерне випромінювання)**
- Не дивіться на промінь лазера через будь-які оптичні прилади (такі як збільшувальне скло, телескоп чи бінокль)
- Не користуйтеся приладом у місцях, де є займісті рідини, гази чи пил
- Не користуйтеся приладом, коли поруч є діти

ПОЯСНЕННЯ ДО УМОВНИХ ПОЗНАЧОК НА ІНСТРУМЕНТІ

- ③ Перед використанням прочитайте інструкцію із застосування
- ④ Подвійна ізоляція (заземлюючий провід не потрібен)
- ⑤ Не викидайте інструмент разом зі звичайним сміттям
- ⑥ **Лазерне випромінювання / Не дивіться в промінь / Лазерний продукт 2 класу**

ВИКОРИСТАННЯ

- Вмикання/вимикання ⑦
- Контроль швидкості для плавного пуску ⑧
- Блокування вимикача для тривалої роботи ⑨
- Заміна пилки ⑩
- ! **уструмть пилку на повну глибину зубцями направленими у перед ⑪**
- ! **використовуйте пилки тільки з Т-подібним хвостовиком**
- Розпилювання під кутом 15°/30°/45° ⑫
- Вибір швидкості розпилювання відповідно до використовуваного матеріалу ⑬
- ! **якщо інструмент не працює, коли механізм D встановлено у положення 1, виберіть вищу швидкість розпилювання і зменште швидкість у процесі роботи інструмента**

- Пиловловлювання ⑭
 - під'єднайте пиლოსос до подовжувача E
 - ! **не використовуйте пиლოსос при різанні металу**
- Вибір режиму пиляння ⑮
- Використовуйте важіль F ⑯ для регулювання кругової роботи від точного різання (= 0) до швидкого різання (= III)
 - I параметр ("0") для точного різання будь-яких матеріалів, прямі розпили + вигини
 - З параметри для швидкого різання різних матеріалів, тільки прямі розпили
 - I = метал
 - II = пластмаса
 - III = тверда деревина
- ! **при розпилюванні матеріалу, що легко розщеплюється, завжди вибирайте режим "0"**
- Лінія лазера ⑰
 - для спрямування інструменту поздовж необхідній лінії розрізу, яка накреслена на виробі
 - включати та виключати лінія лазера за допомогою натискання кнопки G
 - до початку роботи, перевірте чи співпадає лінія лазера із наміченою лінією пропили та зробіть пробний надріз на непотрібному шматочку матеріалу
 - ! **не намагайтеся настроїти лінію лазера за допомогою гвинта X, відрегульованого під час виготовлення**
 - ! **не знімайте і не пошкоджуйте попереджувальну етикетку A ⑱**
- Використання інструменту
 - перед умиканням інструменту переконайтеся в тому, що передня частина опори щільно стикається з оброблюваною поверхнею
 - тримайте інструмент двома руками, таким чином ви будете мати повний контроль над інструментом весь час
 - ! **під час роботи, завжди тримайте інструмент за частини захвату сірого кольору ⑲**
 - переконайтеся, що вся поверхня опори надійно спирається на робочу поверхню
 - ! **перед видаленням інструменту з оброблюваної поверхні переконайтеся, що пилка остаточно зупинилась**
 - тримайте вентиляційні отвори H ⑳ незакритими

ПОРАДИ ПО ВИКОРИСТАННЮ

- Використовуйте відповідні пилки ⑳
- ! **використовуйте пилки тільки з Т-подібним хвостовиком**
- Під час різки металів регулярно змащуйте пилку маслом
- Використовуйте направляючу планку J для виконання паралельних розпилів ㉑
- Для прямого пропили ведіть інструмент уздовж краю прямого дерев'яного відрізу ㉒
- Перед вирізанням наскрізних отворів попередньо просвердліть отвір дрилем ㉓
- Пропил без трісок
 - наклейте декілька шарів широкої стрічки на лінію розрізу
 - завжди різте по протилежному (тильному) боці матеріалу
- Див додаткову інформацію на www.skil.com

ΔΟΓΛЯД/ΟΒΣΛУГΟУΑΝΝЯ

- Цей інструмент не придатний для промислового використання
- Завжди тримайте інструмент та його шнур в чистоті (особливо вентиляційні отвори Н ②)
! перед чистою інструменту необхідно роз'єднати штепсельний роз'єм
- Якщо незважаючи на ретельну технологію виготовлення і перевірки інструмент все-таки вийде з ладу, його ремонт дозволяється виконувати лише в авторизованій сервісній майстерні для електроприладів SKIL
 - надішліть **нерозібраний** інструмент разом з доказом купівлі до Вашого дилера або до найближчого центру обслуговування SKIL (адреси, а також діаграма обслуговування пристрою, подаються на сайті www.skil.com)

ΟΧΟΡΟΝΑ ΝΑΥΚΟΛΙШНЬΟΪ ΣΕΡΕΔΙ

- **Не викидайте електроінструмент, належності та упакування разом зі звичайним сміттям** (тільки для країн ЄС)
 - відповідно до європейської директиви 2012/19/ЄС щодо утилізації старих електричних та електронних приладів, в залежності з місцевим законодавством, електроінструмент, який перебував в експлуатації повинен бути утилізований окремо, безпечним для навколишнього середовища шляхом
 - малюнок ⑤ нагадає вам про це

ШУМ / ВІБΡΑЦІЯ

- Зміряний відповідно до EN 62841 рівень тиску звуку даного інструменту 88 дБ(А) і потужність звуку 99 дБ(А) (стандартне відхилення: 3 дБ), і вібрація * м/с² (векторна сума трьох напрямків; похибка K = 1,5 м/с²)
 - * при різанні деревини 6,7 м/с²
 - * при різанні металу 11,4 м/с²
 - Рівень вібрації було виміряно у відповідності зі стандартизованим випробуванням, що міститься в EN 62841; дана характеристика може використовуватися для порівняння одного інструмента з іншим, а також для попередньої оцінки впливу вібрації під час застосування даного інструмента для вказаних цілей
 - при використанні інструмента в інших цілях або з іншими/несправними допоміжними пристосуваннями рівень впливу вібрації може значно **підвищуватися**
 - у періоди, коли інструмент вимикнений або функціонує без фактичного виконання роботи, рівень впливу вібрації може значно **знижуватися**
- ! захищайте себе від впливу вібрації, підтримуючи інструмент і його допоміжні пристосування в справному стані, підтримуючи руки в теплі, а також правильно організовуючи свій робочий процес**

GR

Σέγα

1061

ΕΙΣΑΓΩΓΗ

- Αυτό το εργαλείο έχει σχεδιαστεί για τη δημιουργία εγκοπών και опών σε ξύλο, πλαστικά, μέταλλα, κεραμικές πλάκες και καουτσούκ, και είναι κατάλληλο για ευθείες και κυρτές κοπές σε γωνίες μέχρι 45°
- Αυτό το εργαλείο δεν προορίζεται για επαγγελματική χρήση
- Διαβάστε και φυλάξτε αυτές τις οδηγίες χρήσεως ③

ΤΕΧΝΙΚΑ ΧΑΡΑΚΤΗΡΙΣΤΙΚΑ ①

ΜΕΡΗ ΤΟΥ ΕΡΓΑΛΕΙΟΥ ②

- A Προειδοποιητική ετικέτα ⑥
- B Διακόπτης εκκίνησης/στάσης και ελέγχου ταχύτητας
- C Κομπι ασφάλισης του διακόπτη
- D Τροχίσκος ρύθμισης της ταχύτητας κοπής
- E Προέκταση ηλεκτρικής σκούπας
- F Μοχλός επιλογής λειτουργίας πριονίσματος
- G Λέιζερ διακόπτη ενεργοποίησης/απενεργοποίησης
- H Σχισμέας αερίσμου
- J Οδηγός παράλληλης κοπής
- K Σύστημα Clis για αλλαγή της πριονολεπίδας
- L Αποθήκευση του κλειδιού

ΑΣΦΑΛΕΙΑ

ΓΕΝΙΚΕΣ ΥΠΟΔΕΙΞΕΙΣ ΑΣΦΑΛΕΙΑΣ ΓΙΑ ΗΛΕΚΤΡΙΚΑ ΕΡΓΑΛΕΙΑ

ΠΡΟΕΙΔΟΠΟΙΗΣΗ Διαβάστε όλες τις υποδείξεις ασφαλείας, οδηγίες, εικονογραφήσεις και όλα τα τεχνικά στοιχεία, που συνοδεύουν αυτό το ηλεκτρικό εργαλείο. Αμέλειες κατά την τήρηση των ακόλουθων υποδείξεων μπορεί να προκαλέσουν ηλεκτροπληξία, πυρκαγιά και/ή σοβαρούς τραυματισμούς.

Φυλάξτε όλες τις υποδείξεις ασφαλείας και τις οδηγίες για το μέλλον.

Ο ορισμός "ηλεκτρικό εργαλείο" που χρησιμοποιείται στις προειδοποιητικές υποδείξεις αναφέρεται σε ηλεκτρικά εργαλεία που τροφοδοτούνται από το ηλεκτρικό δίκτυο (με ηλεκτρικό καλώδιο) καθώς και σε ηλεκτρικά εργαλεία που τροφοδοτούνται από μπαταρία (χωρίς ηλεκτρικό καλώδιο).

1) ΑΣΦΑΛΕΙΑ ΣΤΟ ΧΩΡΟ ΕΡΓΑΣΙΑΣ

- a) Διατηρείτε το χώρο που εργάζεσθε καθαρό και καλά φωτισμένο. Αταξία στο χώρο που εργάζεσθε ή μη φωτισμένες περιοχές εργασίας μπορεί να οδηγήσουν σε ατυχήματα.
- b) Μην εργάζεσθε με το ηλεκτρικό εργαλείο σε περιβάλλον που υπάρχει κίνδυνος έκρηξης, στο οποίο υπάρχουν εύφλεκτα υγρά, αέρια ή σκόνη. Τα ηλεκτρικά εργαλεία μπορεί να δημιουργήσουν σπινθηρισμό ο οποίος μπορεί να αναφλέξει τη σκόνη ή τις αναθυμιάσεις.

c) Όταν χρησιμοποιείτε το ηλεκτρικό εργαλείο κρατάτε τα παιδιά κι άλλα τυχόν πρόσωπα μακριά από το χώρο που εργάζεσθε. Σε περίπτωση που άλλα άτομα αποσπάσουν την προσοχή σας μπορεί να χάσετε τον έλεγχο του μηχανήματος.

2) ΗΛΕΚΤΡΙΚΗ ΑΣΦΑΛΕΙΑ

a) Το φως του καλωδίου του ηλεκτρικού εργαλείου πρέπει να ταιριάζει στην αντίστοιχη πρίζα. Δεν επιτρέπεται με κανένα τρόπο η μετασκευή του φως. Μη χρησιμοποιείτε προσαρμοστικά φως σε συνδυασμό με ηλεκτρικά εργαλεία συνδεδεμένα με τη γη (γειωμένα). Αθικτα φως και κατάλληλες πρίζες μειώνουν τον κίνδυνο ηλεκτροπληξίας.

b) Αποφεύγετε την επαφή του σώματος σας με γειωμένες επιφάνειες όπως σωλήνες, θερμαντικά σώματα (καλοριφέρ), κουζίνες και ψυγεία. Όταν το σώμα σας είναι γειωμένο αυξάνεται ο κίνδυνος ηλεκτροπληξίας.

c) Μην εκθέτετε το ηλεκτρικό εργαλείο στη βροχή ή την υγρασία. Η διείσδυση νερού στο ηλεκτρικό εργαλείο αυξάνει τον κίνδυνο ηλεκτροπληξίας.

d) Μη χρησιμοποιείτε το καλώδιο για να μεταφέρετε ή ν' αναρτήσετε το ηλεκτρικό εργαλείο ή για να βγάλετε το φως από την πρίζα. Κρατάτε το καλώδιο μακριά από υψηλές θερμοκρασίες, λάδια, κοφτερές ακμές ή κινούμενα εξαρτήματα. Τυχόν χαλασμένα ή μπερδεμένα καλώδια αυξάνουν τον κίνδυνο ηλεκτροπληξίας.

e) Όταν εργάζεσθε με το ηλεκτρικό εργαλείο στο ύπαιθρο χρησιμοποιείτε πάντοτε καλώδια επιμήκυνσης (μπαλαντάδες) που έχουν εγκριθεί για χρήση σε εξωτερικούς χώρους. Η χρήση καλωδίων επιμήκυνσης εγκριμένων για εργασία σε εξωτερικούς χώρους μειώνει τον κίνδυνο ηλεκτροπληξίας.

f) Όταν η χρήση του ηλεκτρικού εργαλείου σε υγρό περιβάλλον είναι αναπόφευκτη, τότε χρησιμοποιήστε έναν προστατευτικό διακόπτη διαροής. Η χρήση ενός προστατευτικού διακόπτη διαροής ελαττώνει τον κίνδυνο ηλεκτροπληξίας.

3) ΑΣΦΑΛΕΙΑ ΠΡΟΣΩΠΩΝ

a) Να είσθε πάντοτε προσεκτικός/προσεκτική, να δίνετε προσοχή στην εργασία που κάνετε και να χειριζόσθε το ηλεκτρικό εργαλείο με περίσκεψη. Μην κάνετε χρήση του ηλεκτρικού εργαλείου όταν είσθε κουρασμένος/κουρασμένη ή όταν βρισκόσθε υπό την επιρροή ναρκωτικών, οινοπνεύματος ή φαρμάκων. Μια στιγμήαία απροσεξία κατά το χειρισμό του ηλεκτρικού εργαλείου μπορεί να οδηγήσει σε σοβαρούς τραυματισμούς.

b) Φοράτε προστατευτικά ενδύματα και πάντοτε προστατευτικά γυαλιά. Όταν φοράτε ενδύματα ασφαλείας, ανάλογα με το υπό χρήση ηλεκτρικό εργαλείο, όπως προσταπίδα προστασίας από σκόνη, αντιολισθητικά παπούτσια ασφαλείας, κράνη ή ωταποπίδες, μειώνεται ο κίνδυνος τραυματισμών.

c) Αποφεύγετε την αδέλγητη εκκίνηση. Βεβαιωθείτε ότι το ηλεκτρικό εργαλείο έχει αποζευχτεί πριν το συνδέσετε με το ηλεκτρικό δίκτυο ή/και με την μπαταρία καθώς και πριν το παραλάβετε ή το μεταφέρετε. Όταν μεταφέρετε το ηλεκτρικό εργαλείο έχοντας το δάχτυλό σας στο διακόπτη ή όταν

συνδέσετε το μηχανήμα με την πηγή ρεύματος όταν αυτό είναι ακόμη συζευγμένο, τότε δημιουργείται κίνδυνος τραυματισμών.

d) Αφαιρείτε από τα ηλεκτρικά εργαλεία πριν τα θέσετε σε λειτουργία τυχόν συναρμολογημένα χρησιμοποιήσιμα εργαλεία ή κλειδιά. Ένα εργαλείο ή κλειδί συναρμολογημένο στο περιστρεφόμενο εξάρτημα ενός ηλεκτρικού εργαλείου μπορεί να οδηγήσει σε τραυματισμούς.

e) Μην υπερκτιμάτε τον εαυτό σας. Φροντίζετε για την ασφαλή στήριξη του σώματος σας και διατηρείτε πάντοτε την ισορροπία σας. Αυτό σας επιτρέπει τον καλύτερο έλεγχο το ηλεκτρικού εργαλείου σε περιπτώσεις απροσδόκητων καταστάσεων.

f) Φοράτε κατάλληλη ενδυμασία εργασίας. Μη φοράτε φαρδιά ρούχα ή κοσμήματα. Κρατάτε τα μαλλιά και τα ρούχα σας μακριά από κινούμενα εξαρτήματα. Χαλαρή ενδυμασία, κοσμήματα και μακριά μαλλιά μπορεί να εμπλακούν στα κινούμενα εξαρτήματα.

g) Αν υπάρχει η δυνατότητα συναρμολόγησης διατάξεων αναρρόφησης ή συλλογής σκόνης, βεβαιωθείτε αν οι διατάξεις αυτές είναι συνδεδεμένες καθώς κι αν χρησιμοποιούνται σωστά. Η χρήση μιας αναρρόφησης σκόνης μπορεί να ελαττώσει τον κίνδυνο που προκαλείται από τη σκόνη.

h) Μην εφυσουχάζετε σε μια λάθος ασφάλεια και μην αφιψάτε τους κανόνες ασφαλείας για τα ηλεκτρικά εργαλεία, ακόμα και όταν μετά από συχνή χρήση είστε εξοικειωμένοι με το εργαλείο. Ένας απρόσεκτος χειρισμός μπορεί μέσα σε κλάσματα του δευτερολέπτου να οδηγήσει σε σοβαρούς τραυματισμούς.

4) ΧΡΗΣΗ ΚΙ ΕΠΙΜΕΛΗΣ ΧΕΙΡΙΣΜΟΣ ΤΩΝ ΗΛΕΚΤΡΙΚΩΝ ΕΡΓΑΛΕΙΩΝ

a) Μην υπερφορτώνετε το ηλεκτρικό εργαλείο.

Χρησιμοποιείτε για την εκάστοτε εργασία σας το ηλεκτρικό εργαλείο που προορίζεται γι' αυτήν. Με το κατάλληλο ηλεκτρικό εργαλείο εργάζεσθε καλύτερα και ασφαλέστερα στην αναφερόμενη περιοχή ισχύος.

b) Μη χρησιμοποιήσετε ποτέ ένα ηλεκτρικό εργαλείο του οποίου ο διακόπτης ON/OFF είναι χαλασμένος. Ένα ηλεκτρικό εργαλείο το οποίο δεν μπορεί να τεθεί πλέον σε ή εκτός λειτουργίας είναι επικίνδυνο και πρέπει να επισκευαστεί.

c) Τραβήξτε το φως από την πρίζα και/ή απομακρύνετε μια αποσπώμενη μπαταρία, προτού εκτελέσετε ρυθμίσεις στο ηλεκτρικό εργαλείο, προτού αλλάξετε εξαρτήματα ή φυλάξετε το ηλεκτρικό εργαλείο. Αυτά τα προληπτικά μέτρα ασφαλείας μειώνουν τον κίνδυνο από τυχόν αδέλγητη εκκίνηση του ηλεκτρικού εργαλείου.

d) Διαφυλάγετε τα ηλεκτρικά εργαλεία που δε χρησιμοποιείτε μακριά από παιδιά. Μην αφήνετε άτομα που δεν είναι εξοικειωμένα με το ηλεκτρικό εργαλείο ή δεν έχουν διαβάσει αυτές τις οδηγίες χρήσης να το χρησιμοποιήσουν. Τα ηλεκτρικά εργαλεία είναι επικίνδυνα όταν χρησιμοποιούνται από άπειρα πρόσωπα.

e) Φροντίζετε τα ηλεκτρικά εργαλεία και τα εξαρτήμα με επιμέλεια. Ελέγχετε, αν τα

κινούμενα εξαρτήματα λειτουργούν άσφρα, χωρίς να μπλοκάρουν, ή μήπως έχουν σπάσει ή φθαρεί τυχόν εξαρτήματα τα οποία επηρεάζουν τον τρόπο λειτουργίας του ηλεκτρικού εργαλείου. Δώστε αυτά τα χαλασμένα εξαρτήματα για επισκευή πριν τα ξαναχρησιμοποιήσετε. Η κακή συντήρηση των ηλεκτρικών εργαλείων αποτελεί αιτία πολλών ατυχημάτων.

- f) **Διατηρείτε τα κοπτικά εργαλεία κοφτερά και καθαρά.** Τα κοπτικά εργαλεία που συντηρούνται με προσοχή μπορούν να οδηγηθούν εύκολα και να ελεγχθούν καλύτερα.
- g) **Χρησιμοποιείτε τα ηλεκτρικά εργαλεία, τα εξαρτήματα, τα χρησιμοποιήσιμα εργαλεία κτλ. σύμφωνα με τις παρούσες οδηγίες καθώς. Λαμβάνετε ταυτόχρονα υπόψη σας τις συνθήκες εργασίας και την υπό εκτέλεση εργασία.** Η χρήση του ηλεκτρικού εργαλείου για άλλες εκτός από τις προβλεπόμενες εργασίες μπορεί να δημιουργήσει επικίνδυνες καταστάσεις.
- h) **Διατηρείτε τις λαβές και επιφάνειες λαβής στεγνές, καθαρές και ελεύθερες από λάδι και γράσο.** Οι ολισθηρές λαβές και επιφάνειες λαβής δεν επιτρέπουν κανέναν ασφαλή χειρισμό και έλεγχο του ηλεκτρικού εργαλείου σε τυχόν απρόβλεπτες καταστάσεις.
- 5) **SERVICE**
- a) **Δίνετε το ηλεκτρικό σας εργαλείο για επισκευή από άριστα ειδικευμένο προσωπικό, μόνο με γνήσια ανταλλακτικά.** Ετσι εξασφαλίζεται η διατήρηση της ασφάλειας του ηλεκτρικού εργαλείου.

ΥΠΟΔΕΙΞΙΣ ΑΣΦΑΛΕΙΑΣ ΓΙΑ ΣΕΓΑ

ΓΕΝΙΚΑ

- Βεβαιωθείτε ότι η τάση του παρεχόμενου ρεύματος είναι ίδια με την τάση που υποδεικνύεται στην πινακίδα δεδομένων του εργαλείου (εργαλεία που φέρουν την ένδειξη 230V ή 240V μπορούν να συνδεθούν επίσης σε πρίζα 220V)
- Ελέγξτε τη λειτουργία του εργαλείου πριν από κάθε χρήση, και σε περίπτωση βλάβης, πάτε το για επισκευή σε κάποιο εξειδικευμένο άτομο - ποτέ μην ανοίγετε μόνοι σας το εργαλείο
- **Μην καταργάσετε υλικά που περιέχουν αμιάντο** (το αμιάντο θεωρείται σαν καρκινογόνο υλικό)
- Αυτό το εργαλείο δεν πρέπει να χρησιμοποιείται από άτομα κάτω των 16 ετών
- Η ηχητική στάθμη κατά την εργασία ενδέχεται να ξεπεράσει τα 85 dB(A) - γι' αυτό θα πρέπει να φοράτε προστασία ακοής
- Φοράτε προστατευτικά γυαλιά όταν εργάζεστε με υλικά που παράγουν γρέζα
- Η σκόνη από υλικά όπως μογιές που περιέχουν μόλυβδο, ορισμένα είδη ξύλου, ανόργανα στοιχεία και μέταλλα μπορεί να είναι επιβλαβής (η επαφή ή η εισπνοή της σκόνης μπορεί να προκαλέσει αλλεργικές αντιδράσεις ή/και αναπνευστικές ασθένειες στον χειριστή ή σε άτομα που παρίστανται) - **να φοράτε προσωπίδα προστασίας από τη σκόνη και να εργάζεστε με συσκευή αφαίρεσης σκόνης όταν είναι δυνατό**

- Ορισμένα είδη σκόνης ταξινομούνται ως καρκινογόνα (όπως η σκόνη από τη δρυ ή την οξιά) ιδιαίτερα σε συνδυασμό με πρόσθετα συντήρησης ξύλου - **να φοράτε προσωπίδα προστασίας από τη σκόνη και να εργάζεστε με συσκευή αφαίρεσης σκόνης όταν είναι δυνατό**
- Ακολουθήστε τις σχετικές με σκόνη εθνικές διατάξεις για τα υλικά που θέλετε να εργαστείτε
- Χρησιμοποιείτε ασφαλείς, τελειώς ξετυλιγμένες προεκτάσεις καλωδίου με χωρητικότητα 16 Amps
- **Πάντα να απουσνδέεται την πρίζα από το ηλεκτρικό δίκτυο πριν κάνετε κάποια ρύθμιση ή αλλάξετε εξάρτημα**

ΠΡΙΝ ΑΠΟ ΤΗ ΧΡΗΣΗ

- Φοράστε όλα τα εμπόδια από την γραμμή κοπής, πάνω και κάτω, πριν ξεκινήσετε την κοπή
- Προφυλάξτε το εργαλείο από τυχόν φθορές από ξένα σώματα (βίδες, καρφιά ή άλλα) που ίσως είναι μέσα στο κομμάτι που θα δουλέψετε - αφαιρέστε τα πριν αρχίσετε την εργασία
- **Χρησιμοποιήστε σφιγκτήρες ή άλλο πρακτικό μέσο για να στερεώσετε και να υποστηρίξετε το κομμάτι εργασίας σε ευσταθή πλατφόρμα** (αν κρατάτε το κομμάτι εργασίας με το χέρι ή πάνω στο σώμα σας, αυτό δεν σταθεροποιείται και υπάρχει κίνδυνος απώλειας του ελέγχου)

ΚΑΤΑ ΤΗ ΧΡΗΣΗ

- **Να κρατάτε το ηλεκτρικό εργαλείο από τις μονωμένες επιφάνειες συγκράτησης όταν υπάρχει κίνδυνος το κοπτικό εξάρτημα να έρθει σε επαφή με μη ορατούς ηλεκτροφόρους αγωγούς ή το ίδιο το καλώδιό του** (η επαφή με έναν ηλεκτροφόρο αγωγό μπορεί να θέσει τα μεταλλικά μέρη του ηλεκτρικού εργαλείου επίσης υπό τάση και προκαλέσει έτσι ηλεκτροπληξία)
- **Όταν το εργαλείο είναι στην παροχή ρεύματος αλλά δεν χρησιμοποιείται, η χειρολαβή μπορεί να ζεσταθεί - αυτό είναι φυσιολογικό και δεν αποτελεί πρόβλημα**
- Να κρατάτε πάντα το καλώδιο μακριά από τα κινούμενα μέρη του εργαλείου σας - κρατάτε το καλώδιο προς τα πίσω, μακριά από το εργαλείο
- Σε περίπτωση που υποστεί βλάβη ή κοπεί το καλώδιο κατά την εργασία, μην αγγίζετε το καλώδιο, αλλά αποσυνδέστε αμέσως το φις από την πρίζα
- Ποτέ μη χρησιμοποιείτε το εργαλείο όταν έχει υποστεί βλάβη το καλώδιο - το καλώδιο θα πρέπει να αντικατασταθεί από έναν εξειδικευμένο τεχνίτη
- Σε περίπτωση ηλεκτρικής ή μηχανικής δυσλειτουργίας, σταματήστε αμέσως το εργαλείο και βγάλτε το από την πρίζα
- Κρατήστε τα χέρια μακριά από τον δίσκο κοπής κατά τη λειτουργία του

ΕΞΑΡΤΗΜΑΤΑ

- Η SKIL εγγυάται την τέλεια λειτουργία του εργαλείου μόνο όταν χρησιμοποιούνται αυθεντικά εξαρτήματα
- Μη χρησιμοποιείτε ραγισμένες, παραμορφωμένες ή στοματωμένες πριονολεπίδες

ΥΠΑΙΘΡΙΑ ΧΡΗΣΗ

- Όταν χρησιμοποιείτε το εργαλείο στο ύπαιθρο, συνδέστε το χρησιμοποιώντας έναν διακόπτη ασφαλείας με μέγιστο όριο ενεργοποίησης 30 mA, και

χρησιμοποιείτε μόνο καλώδιο προέκτασης ειδικό για υπαίθρια χρήση και εξοπλισμένο με αδιάβροχη πρίζα σύνδεσης

ΜΕΤΑ ΤΗ ΧΡΗΣΗ

- Όταν τελειώνετε την δουλειά σας και ακουμπάτε το εργαλείο στο πλάι, κλείστε τον διακόπτη και βεβαιωθείτε ότι όλα τα κινούμενα μέρη του έχουν σταματήσει εντελώς

ΑΚΤΙΝΟΒΟΛΙΑ ΛΕΙΖΕΡ

- **Μη στρέψετε τη δέσμη του λέιζερ προς ανθρώπους ή ζώα**
- **Μην κοιτάτε απευθείας μέσα στη δέσμη του λέιζερ (ακτινοβολία λέιζερ)**
- Μη χρησιμοποιείτε μεγεθυντικά οπτικά όργανα (π.χ. μεγεθυντικούς φακούς, τηλεσκόπια ή κιάλια) για να δείτε τη δέσμη του λέιζερ
- Μη χρησιμοποιείτε το εργαλείο σε χώρους στους οποίους υπάρχουν εύφλεκτα υγρά, αέρια ή σκόνης
- Μη χρησιμοποιείτε το εργαλείο εάν υπάρχουν παιδιά στον ίδιο χώρο

ΕΠΕΞΗΓΗΣΗ ΤΩΝ ΣΥΜΒΟΛΩΝ ΣΤΟ ΕΡΓΑΛΕΙΟ

- ③ Διαβάστε το εγχειρίδιο οδηγιών πριν από τη χρήση
- ④ Διπλή μόνωση (δεν απαιτείται καλώδιο γείωσης)
- ⑤ Μην πετάτε το εργαλείο στον κάδο οικιακών απορριμμάτων
- ⑥ **Ακτινοβολία λέιζερ / Μην κοιτάτε απευθείας μέσα στην ακτίνα / Προϊόν λέιζερ κλάσης 2**

ΧΡΗΣΗ

- Εκκίνηση/Σταση ⑦
- Έλεγχος ταχύτητας για ομαλή εκκίνηση ⑧
- Ασφάλιση του διακόπτη για συνεχή λειτουργία ⑨
- Αλλαγή προιονολεπίδων ⑩
- ! **τοποθετήστε την λεπίδα μέσα με τους οδόντες προς τα εμπρός ⑪**
- ! **χρησιμοποιείτε μόνο προιονολεπίδες σχήματος T**
- Κοπή σε 15°/30°/45° ⑫
- Ρύθμιση της ταχύτητας κοπής ανάλογα με το υλικό που χρησιμοποιείται ⑬
- ! **σε περίπτωση που το εργαλείο δεν κινείται όταν ο τροχίσκος D βρίσκεται στη θέση 1, επιλέξτε μια υψηλότερη ταχύτητα κοπής και μειώστε την ταχύτητα κοπής μόλις αρχίσει να κινείται το εργαλείο**
- Απορρόφηση σκόνης ⑭
- συνδέστε την ηλεκτρική σας σκούπα στην υποδοχή E
- ! **μη χρησιμοποιείτε την ηλεκτρική σκούπα όταν κόβετε μέταλλα**
- Επιλογή του τρόπου λειτουργίας ⑮
- Χρησιμοποιείτε ο μοχλός F ② για τη ρύθμιση της ελλειπτικής κίνησης, από κοπή ακριβείας (= 0) έως ταχεία κοπή (= III)
- 1 ρύθμιση ("0") για πριόνισμα ακριβείας σε όλα τα υλικά, ευθεία + κυρτά
- 3 ρυθμίσεις για γρήγορο πριόνισμα σε διάφορα υλικά, μόνο ευθεία
- I = μέταλλο
- II = πλαστικό
- III = σκληρό ξύλο

! **επιλέγεται πάντοτε "0" όταν κόβετε υλικά στα οποία ενδέχεται να δημιουργηθούν ακίδες**

- Γραμμή λέιζερ ⑯
- ώστε να κατευθύνεται το εργαλείο κατά μήκος της χαραγμένης γραμμής κοπής πάνω στο κομμάτι
- ενεργοποιείτε/απενεργοποιείτε τη γραμμή λέιζερ σπρώχνοντας το διακόπτη G
- πριν ξεκινήσετε μια εργασία, ελέγξτε την ευθυγράμμιση της γραμμής λέιζερ με την πραγματική γραμμή κοπής, κάνοντας μια δοκιμαστική κοπή σε ένα κομμάτι άχρηστου υλικού
- ! **μην επιχειρήσετε να ρυθμίσετε τη γραμμή λέιζερ με τη βίδα X η οποία έχει προρυθμιστεί εργοστασιακά**
- ! **μην αφαιρέτε ή αχρηστεύετε την προειδοποιητική ετικέτα A ⑲**
- Χειρισμός του εργαλείου
- πριν ενεργοποιήσετε το εργαλείο, βεβαιωθείτε ότι το μπροστινό άκρο της πλάκας βάσης ακουμπά επίπεδα στο κατεργαζόμενο αντικείμενο
- κρατάτε καλά το εργαλείο, με τα δύο χέρια, ούτως ώστε να έχετε ανά πάσα στιγμή τον πλήρη έλεγχο του εργαλείου
- ! **ενώ εργάζεστε, να κρατάτε πάντα το εργαλείο από τη/τις λαβή/ές με γκρι χρώμα ⑳**
- βεβαιωθείτε ότι ολοκληρωή η επιφάνεια της πλάκας βάσης στηρίζεται καλά στο κατεργαζόμενο αντικείμενο
- ! **βεβαιωθείτε ότι η λεπίδα έχει σταματήσει τελείως πριν σηκώσετε το εργαλείο από το κατεργαζόμενο αντικείμενο**
- κρατάτε τις σχισμές αερισμού H ② ακάλυπτες

ΟΔΗΓΙΕΣ ΕΦΑΡΜΟΓΗΣ

- Χρησιμοποιείτε τις κατάλληλες προιονολεπίδες ⑳
- ! **χρησιμοποιείτε μόνο προιονολεπίδες σχήματος T**
- Όταν κόβετε μέταλλα, λιπαίνετε τακτικά την προιονολεπίδα με λάδι
- Χρησιμοποιείτε τον οδηγό ευθείας κοπής J για παράλληλες κοπές ㉑
- Για μια ευθεία κοπή ακριβείας, κατευθύνετε το εργαλείο με την πλάκα βάσης κατά μήκος της άκρης μιας ευθείας σανίδας ㉒
- Τρυπήστε πρώτα μια τρύπα πριν κάνετε εγκοπές ㉓
- Κοπή χωρίς ακίδες
- καλύψτε τη γραμμή κοπής με περισσότερα στρώματα φαρδιάς κολλητικής ταινίας πριν κάνετε την κοπή
- κρατάτε πάντοτε την καλή πλευρά του κατεργαζόμενου αντικειμένου προς τα κάτω
- Για περισσότερες συμβουλές δείτε www.skil.com


ΣΥΝΤΗΡΗΣΗ / ΣΕΡΒΙΣ

- Αυτό το εργαλείο δεν προορίζεται για επαγγελματική χρήση
- Κρατάτε πάντοτε το εργαλείο και το καλώδιο καθαρά (και ιδιαίτερα τις θυρίδες αερισμού H ②)
- ! **αφαιρέστε την πρίζα πριν το καθαρίσετε**
- Αν παρ' όλες τις επιμελημένες μεθόδους κατασκευής κι ελέγχου το εργαλείο σταματήσει κάποτε να λειτουργεί,

τότε η επισκευή του πρέπει να ανατεθεί σ' ένα εξουσιοδοτημένο συνεργείο για ηλεκτρικά εργαλεία της SKIL

- στείλετε το εργαλείο **χωρίς να το αποσυρμολογήσετε** μαζί με την απόδειξη αγοράς στο κατάστημα από το οποίο το αγοράσατε ή στον πλησιέστερο σταθμό τεχνικής εξυπηρέτησης της SKIL (θα βρείτε τις διευθύνσεις και το διάγραμμα συντήρησης του εργαλείου στην ιστοσελίδα www.skil.com)

ΠΕΡΙΒΑΛΛΟΝ

- **Μην πετάτε τα ηλεκτρικά εργαλεία, εξαρτήματα και συσκευασία στον κάδο οικιακών απορριμμάτων** (μόνο για τις χώρες της ΕΕ)
 - σύμφωνα με την ευρωπαϊκή οδηγία 2012/19/ΕΚ περί ηλεκτρικών και ηλεκτρονικών συσκευών και την ενσωμάτωσή της στο εθνικό δίκαιο, τα ηλεκτρικά εργαλεία πρέπει να συλλέγονται ξεχωριστά και να επιστρέφονται για ανακύκλωση με τρόπο φιλικό προς το περιβάλλον
 - το σύμβολο  θα σας το θυμήσει αυτό όταν έλθει η ώρα να πετάξετε τις

ΘΟΥΡΒΟΣ / ΚΡΑΔΑΣΜΟΣ

- Μετρημένη σύμφωνα με EN 62841 η στάθμη ακουστικής πίεσης αυτού του εργαλείου ανέρχεται σε 88 dB(A) και η στάθμη ηχητικής ισχύος σε 99 dB(A) (κοινή απόκλιση: 3 dB), και ο κραδασμός σε * m/s² (άθροισμα ανυσμάτων τριών κατευθύνσεων - ανασφάλεια K = 1,5 m/s²)
 - * όταν κόβετε ξύλο 6,7 m/s²
 - * όταν κόβετε μέταλλα 11,4 m/s²
 - Το επίπεδο παραγωγής κραδασμών έχει μετρηθεί σύμφωνα με μια τυποποιημένη δοκιμή που αναφέρεται στο πρότυπο EN 62841 - μπορεί να χρησιμοποιηθεί για τη σύγκριση ενός εργαλείου με ένα άλλο, καθώς και ως προκαταρκτική αξιολόγηση της έκθεσης στους κραδασμούς όταν το εργαλείο χρησιμοποιείται για τις εφαρμογές που αναφέρονται
 - η χρήση του εργαλείου για διαφορετικές εφαρμογές ή με διαφορετικά ή κακοσυντηρημένα εξαρτήματα μπορεί να **αυξήσει** σημαντικά το επίπεδο έκθεσης
 - όταν το εργαλείο είναι απενεργοποιημένο ή δουλεύει αλλά δεν εκτελεί την εργασία, το επίπεδο έκθεσης μπορεί να **μειωθεί** σημαντικά
- ! προστατευτείτε από τις επιδράσεις των κραδασμών συντηρώντας σωστά το εργαλείο και τα εξαρτήματά του, διατηρώντας τα χέρια σας ζεστά και οργανώνοντας τον τρόπο εργασίας σας**

RO


Ferăstrău vertical

1061

INTRODUCERE


- Această sculă este destinată pentru a face perforări și decupări în lemn, material plastic, metal, plăci ceramice

și cauciuc, și este corespunzător pentru a face tăieturi în linie dreaptă și curbă, cu îmbinare în unghi de 45°

- Această sculă nu este destinată utilizării profesionale
- Citiți și păstrați acest manual de instrucțiuni 


DATE TEHNICE

ELEMENTELE SCULEI

- A Etichetă de avertizare 
- B Întrerupător deschis/închis și controlul vitezei
- C Buton pentru închiderea întrerupătorului
- D Rotiță pentru ajustarea vitezei de tăiere
- E Extensie pentru aspirator
- F Manetă pentru selectarea modului de tăiere
- G Întrerupător pornit/oprit laser
- H Fantele de ventilație
- J Rigidă de ghidare pentru caneluri
- K Sistem-’Clic’ pentru schimbarea pânzelor de ferăstrău
- L Loças pentru cheia

SIGURANȚA

INSTRUCȚIUNI GENERALE DE SIGURANȚĂ PENTRU SCULE ELECTRICE

 **AVERTISMENT** Citiți toate avertizările, instrucțiunile, ilustrațiile și specificațiile puse la dispoziție împreună cu această sculă electrică. Nerespectarea instrucțiunilor menționate mai jos poate duce la electrocutare, incendiu și/ sau vătămări corporale grave.

Păstrați toate avertizările și instrucțiunile în vederea consultării ulterioare.

Termenul de “sculă electrică” folosit în indicațiile de avertizare se referă la sculele electrice alimentate de la rețea (cu cablu de alimentare) și la sculele electrice cu acumulator (fără cablu de alimentare).

1) SIGURANȚA LA LOCUL DE MUNCĂ

- Păstrați-vă locul de muncă curat și bine iluminat.** Dezordinea la locul de muncă sau existența unor sectoare de lucru neiluminate poate duce la accidente.
- Nu folosiți mașina în medii cu pericol de explozie, acolo unde există lichide, gaze sau pulberi inflamabile.** Sculele electrice pot produce scântei care să aprindă pulberile sau vaporii.
- Nu permiteți accesul copiilor și al altor persoane în timpul lucrului cu mașina.** Dacă vi se distrage atenția puteți pierde controlul asupra mașinii.

2) SECURITATE ELECTRICĂ

- Ștecherul de racordare a mașinii trebuie să se potrivească cu priza de alimentare. Nu este permisă în nici-un caz modificarea ștecherului. Nu folosiți adaptoare pentru ștechere la mașinile legate la pământ.** Ștecherele nemodificate și prizele de curent adecvate acestora reduc riscul de electrocutare.
- Evitați contactul corporal cu suprafețe legate la pământ ca țevi, radiatoare, plite electrice și frigider.** Există un risc crescut de electrocutare atunci când corpul dv. este și el legat la pământ.

- c) **Nu lăsați mașina afară în ploaie sau în mediu umed.** Riscul de electrocutare crește atunci când într-o sculă electrică pătrunde apă.
- d) **Nu trageți niciodată mașina de cordonul de alimentare pentru a o transporta, a o atârna sau a scoate ștecherul din priza de curent. Feriți cordonul de alimentare de căldură, ulei, mυχii ascuțite sau de subsansamble aflate în mișcare.** Un cordon de alimentare deteriorat sau înfășurat mărește riscul de electrocutare.
- e) **Atunci când lucrați cu scula electrică în aer liber, folosiți numai cordoane prelungitoare autorizate pentru exterior.** Întrebuințarea unu cordon prelungitor adecvat utilizării în aer liber reduce riscul de electrocutare.
- f) **Atunci când nu poate fi evitată utilizarea sculei electrice în mediu umed, folosiți un întrerupător de circuit cu împământare.** Folosirea unei întrerupător de circuit cu împământare reduce riscul de electrocutare.

3) SECURITATEA PERSOANELOR

- a) **Fiți vigilenți, fiți atenți la ceea ce faceți și procedați rațional atunci când lucrați cu scula electrică. Nu folosiți mașina dacă sunteți oboșiți sau vă aflați sub influența drogurilor, alcoolului sau a medicamentelor.** Un moment de neatenție în timpul lucrului cu mașina poate duce la răniri grave.
- b) **Purtați echipament de protecție personală și întotdeauna ochelari de protecție.** Folosirea echipamentelor de protecție a persoanei ca mască de protecție împotriva prafului, încălțăminte antiderapantă, cască de protecție sau aparat de protecție auditivă, în funcție de tipul și domeniul de folosire al sculei electrice, reduce riscul rănirilor.
- c) **Evitați o punere în funcțiune involuntară. Înainte de a introduce ștecherul în priză și/sau de a introduce acumulatorul în scula electrică, de a o ridica sau de a o transporta, asigurați vă că aceasta este oprită.** Dacă atunci când transportați scula electrică țineți degetul pe întrerupător sau dacă porniți scula electrică înainte de a o racorda la rețeaua de curent, puteți provoca accidente.
- d) **Înainte de a pune mașina în funcțiune scoateți afară cheile reglabile și fixe.** O cheie reglabilă sau fixă, aflată într-o componentă de mașină care se rotește, poate provoca răniri.
- e) **Nu vă supraapreciați. Asigurați-vă o poziție stabilă și păstrați-vă întotdeauna echilibrul.** Astfel veți putea controla mai bine mașina în situații neașteptate.
- f) **Purtați îmbrăcăminte de lucru adecvată. Nu purtați haine largi sau podoabe. Feriți părul și îmbrăcăminte de piesele aflate în mișcare.** Îmbrăcăminte largă, podoabele și părul lung pot fi prinse de piesele aflate în mișcare.
- g) **Dacă există posibilitatea montării de echipamente și instalații de aspirare și colectare a prafului, asigurați-vă că acestea sunt conectate și folosite corect.** Folosirea unei instalații de aspirare a prafului poate duce la reducerea poluării cu praf.
- h) **Nu vă lăsați amăgiți de ușurința în operare dobândită în urma folosirii frecvente a sculelor electrice și nu ignorați principiile de siguranță ale**

acestora. Neglijența poate provoca, într-o fracțiune de secundă, vătămări corporale grave

4) MANEVRAȚI ȘI FOLOȘIȚI CU GRIJĂ SCULELE ELECTRICE

- a) **Nu suprasolicitați mașina. Folosiți scula electrică destinată executării lucrării dumneavoastră.** Cu scula electrică potrivită lucrăți mai bine și mai sigur în domeniul de putere specificat.
- b) **Nu folosiți scula electrică dacă are întrerupătorul defect.** O sculă electrică, care nu mai poate fi pornită sau oprită este periculoasă și trebuie reparată.
- c) **Scoateți ștecherul afară din priză și/sau îndepărtați acumulatoru dacă este detașabil, înainte de a executa reglaje, a schimba accesoriilor sau a depozita scula electrică.** Această măsură preventivă reduce riscul unei porniri involuntare a mașinii.
- d) **În caz de nefolosire păstrați mașinile la loc inaccesibil copiilor. Nu permiteți persoanelor care nu sunt familiarizate cu mașina sau care n-au citit prezentele instrucțiuni, să folosească mașina.** Sculele electrice sunt periculoase atunci când sunt folosite de persoane fără experiență.
- e) **Întrețineți sculele electrice și accesoriile acestora. Controlați dacă componentele mobile funcționează corect și dacă nu se blochează, dacă nu există piese defecte sau deteriorate, care să afecteze funcționarea mașinii. Înainte de a repune în funcțiune mașina, duceți-o la un atelier de asistență service pentru repararea sau înlocuirea pieselor deteriorate.** Multe accidente s-au datorat întreținerii defectuoase a sculelor electrice.
- f) **Păstrați accesoriile bine ascuțite și curate.** Accesoriile atent întreținute, cu muchii tăietoare bine ascuțite se blochează mai greu și pot fi conduse mai ușor.
- g) **Folosiți sculele electrice, accesoriile, dispozitivele de lucru etc. conform prezentelor instrucțiuni. Țineți seama de condițiile de lucru și de lucrarea care trebuie executată.** Întrebuințarea unor scule electrice destinate altor utilizări decât cele preconizate, poate duce la situații periculoase.
- h) **Mențineți mânerul și zonele de prindere uscate, curate și feriți-le de ulei și unsoare.** Mânerul și zonele de prindere alunecoase nu permit manevrarea și controlul sigur al sculei electrice în situații neașteptate.

5) SERVICIU

- a) **Permiteți repararea mașinii dumneavoastră numai de către un specialist calificat și numai cu piese de schimb originale.** În acest mod este garantată menținerea siguranței de exploatare a mașinii.

INSTRUCȚIUNI DE SIGURANȚĂ PENTRU FERĂSTRĂIE VERTICALE

GENERALITĂȚI

- Verificați întotdeauna dacă tensiunea de alimentare este aceeași cu tensiunea indicată pe plăcuța de identificare a sculei (sculele cu o specificație de 230V și 240V pot fi conectate și la alimentare de 220V)
- Înaintea fiecărei utilizări, verificați felul cum funcționează dispozitivul și în cazul unui defect, dați-l imediat să fie reparat de o persoană autorizată; niciodată să nu demontați dvs dispozitivul

- **Nu prelucrați materiale care conțin azbest** (azbestul este considerat a fi cancerigen)
- Această sculă nu trebuie să fie folosit de persoane sub 16 ani
- Când este utilizat, nivelul de zgomot poate depăși 85 dB(A); este necesar să purtați echipament de protecție pentru urechi
- Este necesar să purtați ochelari de protecție când lucrați cu materiale ce produc așchii
- Praful rezultat din materiale precum vopseaua care conține plumb, unele specii de lemn, minerale și metale poate fi periculos (contactul cu praful sau inhalarea acestuia poate provoca reacții alergice și/sau afecțiuni respiratorii operatorului sau persoanelor care stau în apropiere); **purtați o mască de praf și lucrați cu un dispozitiv de extragere a prafului când poate fi conectat**
- Anumite tipuri de praf sunt clasificate ca fiind cancerigene (cum ar fi praful de stejar și fag) în special în combinație cu aditivi pentru tratarea lemnului; **purtați o mască de praf și lucrați cu un dispozitiv de extragere a prafului când poate fi conectat**
- Respectați reglementările naționale referitoare la aspirația prafului în funcție de materialele de lucru folosite
- Folosiți cabluri de prelungire derulate complet, protejate/izolate, cu o capacitate de 16 amperi
- **Decuplați întotdeauna ștecherul de la sursa de alimentare înainte de a face o reglare sau o schimbare de accesoriu**

ÎNAINTEA UTILIZĂRII

- Îndepărtați toate obstacolele aflate deasupra precum și sub traseul de tăiere înainte de a începe tăierea
- Evitați daunele provocate de șuruburi, ținte și alte elemente din timpul lucrului; înlăturați aceste elemente înainte de a trece la acțiune
- **Folosiți clame sau alte metode practice pentru a securiza și susține piesa de prelucrat pe o platformă stabilă** (dacă țineți piesa cu mâna sau sprijinită de corp va fi instabilă și puteți pierde controlul asupra ei)

ÎN TIMPUL FUNCȚIONĂRII

- **Apucați scula electrică de suprafețele de prindere izolate atunci când executați operații în cursul cărora accesoriul poate atinge fire electrice ascunse sau propriul cablu de alimentare** (contactul un cablu aflat sub tensiune poate pune sub tensiune și componentele metalice ale sculei electrice și duce la electrocutare)
- **Când scula este în priză însă nu se lucrează cu ea, manerul se poate incalzi dar; acest lucru este normal și nu indică apariția vreunei probleme**
- Feriți întotdeauna cordonul de părțile în mișcare ale sculei; orientați cordonul spre spate, la distanță de sculă
- În cazul în care cordonul este deteriorat sau secționat în timpul lucrului, nu atingeți cordonul, dar deconectați imediat de la priză
- Nu folosiți scula atunci când cordonul sau prezintă defecțiuni; înlocuirea lor se va efectua de o persoană autorizată
- În cazul unor defecțiuni electrice sau mecanice deconectați imediat instrumentul și scoateți șnurul din priză

- Țineți mâinile la distanță de pânza de ferăstrău cât timp dispozitivul este în funcțiune

ACCESORII

- SKIL garantează funcționarea perfectă a aparatului numai dacă sunt folosite accesoriile originale
- Nu folosiți o pânza de ferăstrău care este crăpată, deformată sau tocită

UTILIZARE ÎN AER LIBER

- Când se utilizează în aer liber, conectați dispozitivul prin intermediul unui întrerupător pentru curent de defect (FI) cu un curent de declanșare de maximum 30 mA, și folosiți numai un cordon prelungitor destinat pentru folosirea în aer liber și care este prevăzut cu o priză de cuplare protejată contra stropirii

DUPĂ UTILIZARE

- Când puneți instrumentul la o parte, deconectați motorul și asigurați-vă că toate elementele mobile și-au oprit complet mișcarea

FASCICULUL LASER

- **Nu îndreptați fasciculul laser spre persoane sau animale**
- **Nu priviți în raza laser (fasciculul laser)**
- Nu folosiți nici-un fel de instrument optic (lupă, telescop, binoclu) pentru a privi în fasciculul laser
- Nu operați cu instrumentul în prezența lichidelor sau gazelor inflamabile sau a prafului
- Nu operați cu instrumentul în prezența copiilor prin apropiere

EXPLICAȚIA SIMBOLURILOR DE PE INSTRUMENT

- ③ Citiți manual de instrucțiuni înainte de utilizare
- ④ Izolație dublă (nu este necesar fir de împământare)
- ⑤ Nu aruncați instrumentul direct la pubelele de gunoi
- ⑥ **Radiația laser / Nu priviți în fascicul / Produs laser clasa 2**

UTILIZAREA

- Pornit/oprit ⑦
 - Control de viteză pentru start încet ⑧
 - Întrerupător-blocare pentru uz continuu ⑨
 - Schimbarea pânzelor de ferăstrău ⑩
 - ! **Introduceți pânza pe toată adâncimea, cu dinții ei spre partea din față ⑪**
 - ! **folosiți numai pânzele cu coada în formă de T**
 - Tăierea la 15°/30°/45° ⑫
 - Ajustarea vitezei de tăiere pentru materialul folosit ⑬
 - ! **dacă aparatul nu funcționează cu roțile D în poziție 1, atunci alegeți o viteză mai mare de tăiere și reduceți viteza de tăiere când aparatul este în stare de funcționare**
 - Aspirarea a prafului ⑭
 - conectați aspiratorul la extensia E
 - ! **nu folosiți aspiratorul atunci când tăiați metal**
 - Selectarea modului de tăiere ⑮
- Folosiți levier F ② pentru ajustarea acțiunii orbitale de la tăierea exactă (= 0) la tăierea rapidă (= III)
- 1 poziție ("0") pentru o tăiere precisă în toate materialele, tăieturi în linie dreaptă + curbă
 - 3 poziții pentru o tăiere rapidă în diferite materiale, numai tăieturi în linie dreaptă
 - I = metal
 - II = plastic
 - III = lemn tare

- ! **selecția întotdeauna “0” atunci când ferăstruiți material ce poate produce așchii**
- Linia de laser (16)
 - pentru ghidarea sculei de-a lungul liniei dorite de tăiere marcate pe piesa de prelucrat
 - conectați/deconectați linia de laser prin apăsarea întrerupătorului G
 - înainte ca să începeți o operație, verificați alinierea liniei de laser față de linia reală de tăiere, practicând o tăiere de probă pe o bucată de material de deșeu
 - ! **nu încercați să reglați linia de laser cu șurubul X, care este presetat din fabrică**
 - ! **nu înlăturați sau distrugeți eticheta de avertizare A (2)**
- Utilizarea sculei
 - înainte de a porni dispozitivul, asigurați-vă că partea din față a plăcii de bază e așezată plat peste materialul la care lucrați
 - țineți strâns dispozitivul cu ambele mâini, astfel încât să aveți tot timpul un control total asupra lui
 - ! **în timp ce lucrați, țineți întotdeauna scula de zonă (zonele) de prindere colorate gri (17)**
 - asigurați-vă că întreaga suprafață a plăcii de bază stă ferm pe materialul la care lucrați
 - ! **asigurați-vă că pânza s-a oprit complet din mișcare înainte de a ridica scula de pe piesa de prelucrat**
 - mențineți fantele de ventilație H (2) neacoperite

SFATURI PENTRU UTILIZARE

- Folosiți pânzele de ferăstrău corespunzătoare (18)
 - ! **folosiți numai pânzele cu coada în formă de T**
- Când tăiați metale, ungeți în mod regulat panză de ferăstrău cu ulei
- Folosiți o riglă de ghidare J pentru a face tăieturi paralele (19)
- Pentru o tăiere precisă în linie dreaptă, ghidați dispozitivul cu placa de bază de-a lungul unei bucăți drepte de lemn (20)
- Înainte de a face decupări, faceți o perforație (21)
- Tăiere fără așchii
 - acoperiți linia de tăiere, înainte de a tăia, cu câteva straturi de bandă adezivă lată
 - puneți întotdeauna materialul la care lucrați cu fața în jos
- A se vedea alte recomandări la www.skil.com

ÎNȚERINERE / SERVICE

- Această sculă nu este destinată utilizării profesionale
- Păstrați aparatul și cablul curat (mai ales fantele de ventilație H (2))
 - ! **deconectați de la priză înainte de a curăța**
- Dacă în ciuda procedurilor de fabricație și control riguroase scula are totuși o pană, repararea acesteia se va face numai la un atelier de asistență service autorizat pentru scule electrice SKIL
 - trimiteți scula în **totalitatea lui** cu bonul de cumpărare la distribuitorul sau la centrul de service SKIL cel mai apropiat (adrese și diagrame de service se găsesc la www.skil.com)

MEDIUL

- **Nu aruncați sculele electrice, accesoriile sau ambalajele direct la pubelele de gunoi** (numai pentru țările din Comunitatea Europeană)
 - Directiva Europeană 2012/19/EC face referire la modul de aruncare a echipamentelor electrice și electronice și modul de aplicare a normelor în conformitate cu legislația națională; sculele electrice în momentul în care au atins un grad avansat de uzură și trebuie aruncate, ele trebuie colectate separat și reciclate într-un mod ce respectă normele de protecție a mediului inconjurător
 - simbolul (5) vă va reaminti acest lucru

ZGOMOT / VIBRAȚII

- Măsurat în conformitate cu EN 62841 nivelul de presiune a sunetului generat de acest instrument este de 88 dB(A) iar nivelul de putere a sunetului 99 dB(A) (abaterea standard: 3 dB), iar nivelul vibrațiilor * m/s² (suma vectorială a trei direcții; incertitudine K = 1,5 m/s²)
 - * când tăiați lemn 6,7 m/s²
 - * când tăiați metale 11,4 m/s²
- Nivelul emisiilor de vibrații a fost măsurat în conformitate cu un test standardizat precizat în EN 62841; poate fi folosit pentru a compara o sculă cu alta și ca evaluare preliminară a expunerii la vibrații atunci când folosiți scula pentru aplicațiile menționate
 - utilizarea sculei pentru aplicații diferite sau cu accesorii diferite și prost întreținute poate **crește** semnificativ nivelul de expunere
 - momentele în care scula este oprită sau când funcționează dar nu execută nicio lucrare, pot **reduce** semnificativ nivelul de expunere
- ! **protejați-vă împotriva efectelor vibrațiilor prin întreținerea sculei și a accesoriilor sale, păstrând mâinile calde și organizând procesele de lucru**

BG

Прободен трион

1061

УВОД

- Този електроинструмент е предназначен за правене на разрези и прорези в дърво, пластмаса, метал, керамични плочки и гума, и е подходящ за прави и извити разрези под ъгъл до 45°
- Този инструмент не е предназначен за професионална употреба
- Прочетете и пазете това ръководство за работа (3)

ТЕХНИЧЕСКИ ДАННИ (1)

ЕЛЕМЕНТИ НА ИНСТРУМЕНТА (2)

- A Табелка с предупредителен надпис (6)
- B Спусък за включване/изключване и регулиране на скоростта
- C Бутон за застопоряване на включващия спусък
- D Маховик за регулиране на скоростта на рязане
- E Удължение за прахосмукачка

- F Лост за избиране на режим на рязане
- G Вкл/изкл ключ на лазера
- H Вентилационните отвори
- J Предпазител против разкъсване
- K Система Clis с блокиращ палец за смяна на рещиците ленти
- L Отделение за ключа

БЕЗОПАСНОСТ

ОБЩИ УКАЗАНИЯ ЗА БЕЗОПАСНА РАБОТА С ЕЛЕКТРОИНСТРУМЕНТИ

⚠ ВНИМАНИЕ Прочетете всички предупреждения, указания, запознайте се с фигурите и техническите характеристики, приложени към електроинструмента. Пропуски при спазването на указанията по-долу могат да предизвикат токов удар и/или тежки травми.

Запазете всички предупреждения и указания за ползване в бъдеще.

Използваният по-долу термин “електроинструмент” се отнася до захранвани от електрическата мрежа електроинструменти (със захранващ кабел) и до захранвани от акумулаторна батерия електроинструменти (без захранващ кабел).

1) БЕЗОПАСНОСТ НА РАБОТНОТО МЯСТО

- a) **Поддържайте работното си място чисто и подредено.** Безпорядъкът или недостатъчното осветление могат да спомогнат за възникването на трудова злополука.
- b) **Не работете с електроинструмента в среда с повишена опасност от възникване на експлозия, в близост до леснозапалими течности, газове или прахообразни материали.** По време на работа в електроинструментите се отделят искри, които могат да възпламяват прахообразни материали или пари.
- c) **Дръжте деца и странични лица на безопасно разстояние, докато работите с електроинструмента.** Ако вниманието Ви бъде отвлечено, може да загубите контрола над електроинструмента.

2) БЕЗОПАСНОСТ ПРИ РАБОТА С ЕЛЕКТРИЧЕСКИ ТОН

- a) **Щепселът на електроинструмента трябва да е подходящ за ползвания контакт. В никакъв случай не се допуска изменение на конструкцията на щепсела.** Когато работите със занулен електроуред, не използвайте адаптери за щепсела. Ползването на оригинални щепсели и контакти намалява риска от възникване на токов удар.
- b) **Избягвайте допира на тялото Ви до заземени тела, напр. тръби, отоплителни уреди, пещи и хладилници.** Когато тялото Ви е заземено, рискът от възникване на токов удар е по-голям.
- c) **Предпазвайте електроинструмента си от дъжд и влага.** Проникването на вода в електроинструмента повишава опасността от токов удар.

- d) **Не използвайте захранващия кабел за цели, за които той не е предвиден, напр. за да носите електроинструмента за кабела или да извадите щепсела от контакта.** Предпазвайте кабела от нагриване, омасляване, допир до остри ръбове или до подвижни звена на машини. Повредени или усукани кабели увеличават риска от възникване на токов удар.
 - e) **Когато работите с електроинструмент навън, използвайте само удължителни кабели, предназначени за работа на открито.** Използването на удължител, предназначен за работа на открито, намалява риска от възникване на токов удар.
 - f) **Ако се налага използването на електроинструмента във влажна среда, използвайте предпазен прекъсвач за утечни токове.** Използването на предпазен прекъсвач за утечни токове намалява опасността от възникване на токов удар.
- ### 3) БЕЗОПАСЕН НАЧИН НА РАБОТА
- a) **Бъдете концентрирани, следете внимателно действията си и постъпвайте предпазливо и разумно. Не използвайте електроинструмента, когато сте уморени или под влиянието на наркотични вещества, алкохол или упойващи лекарства.** Един миг разсеяност при работа с електроинструмент може да има за последствие изключително тежки наранявания.
 - b) **Работете с предпазващо работно облекло и винаги с предпазни очила.** Носенето на подходящи за ползвания електроинструмент и извършваната дейност лични предпазни средства, като дихателна маска, здрави плътнотзатворени обувки със стабилен грайфер, защитна каска или шумозаглушители (антифони), намалява риска от възникване на трудова злополука.
 - c) **Избягвайте опасността от включване на електроинструмента по невнимание. Преди да включите щепсела в захранващата мрежа или да поставите акумулаторната батерия, се уверявайте, че пусковият прекъсвач е в положение изключено.** Ако, когато носите електроинструмента, дръжте пръста си върху пусковия прекъсвач, или ако подавате захранващо напрежение на електроинструмента, когато е включен, съществува опасност от възникване на трудова злополука.
 - d) **Преди да включите електроинструмента, се уверявайте, че сте отстранили от него всички помощни инструменти и гаечни ключове.** Помощен инструмент, забравен на въртящо се звено, може да причини травми.
 - e) **Не надценявайте възможностите си. Работете в стабилно положение на тялото и във всеки момент поддържайте равновесие.** Така ще можете да контролирате електроинструмента по-добре и по-безопасно, ако възникне неочаквана ситуация.
 - f) **Работете с подходящо облекло. Не работете с широки дрехи или украшения. Дръжте косата и дрехите си на безопасно разстояние от движещи**

- се звена. Широките дрехи, украшенията, дългите коси могат да бъдат захванати и увлечени от въртящите се звена.
- g) **Ано е възможно използването на външна аспирационна система, се уверявайте, че тя е включена и функционира изправно.** Използването на аспирационна система намалява рисковете, дължащи се на отделящата се при работа прах.
- h) **Доброто познаване на електроинструмента вследствие на честа работа с него не е повод за намаляване на вниманието и пренебрегване на мерките за безопасност.** Едно невнимателно действие може да предизвика тежки наранявания само за части от секундата.
- 4) ВНИМАТЕЛНО ОТНОШЕНИЕ КЪМ ЕЛЕКТРОИНСТРУМЕНТИ**
- a) **Не претоварвайте електроинструмента. Използвайте електроинструментите само съобразно тяхното предназначение.** Ще работите по-добре и по-безопасно, когато използвате подходящия електроинструмент в зададения от производителя диапазон на натоварване.
- b) **Не използвайте електроинструмент, чиито пусков прекъсвач е повреден.** Електроинструмент, който не може да бъде изключван и включван по предвидения от производителя начин, е опасен и трябва да бъде ремонтиран.
- c) **Преди да извършвате каквито и да е дейности по електроинструмента, напр. настройване, смяна на работен инструмент, както и когато го прибирате, изключвайте щепсела от контакта, респ. изваждайте батерията, ако е възможно.** Тази мярка премахва опасността от задействане на електроинструмента по невнимателно.
- d) **Съхранявайте електроинструментите на места, където не могат да бъдат достигнати от деца. Не допускате те да бъдат използвани от лица, които не са запознати с начина на работа с тях и не са прочели тези инструкции.** Когато са в ръцете на неопитни потребители, електроинструментите могат да бъдат изключително опасни.
- e) **Поддържайте добре електроинструментите си и аксесоарите им. Проверявайте дали подвижните звена функционират безукорно, дали не заклинват, дали има счупени или повредени детайли, които нарушават или изменят функциите на електроинструмента. Преди да използвате електроинструмента, се погрижете повредените детайли да бъдат ремонтирани.** Много от трудовите злополуки се дължат на недобре поддържани електроинструменти и уреди.
- f) **Поддържайте режещите инструменти винаги добре заточени и чисти.** Добре поддържаните режещи инструменти с остри ръбове оказват по-малко съпротивление и се водят по-леко.
- g) **Използвайте електроинструментите, допълнителните приспособления, работните инструменти и т.н., съобразно инструкциите на производителя. С дейности и процедури, евентуално предписани от различни нормативни**

документи. Използването на електроинструменти за различни от предвидените от производителя приложения повишава опасността от възникване на трудови злополуки.

- h) **Поддържайте дръжките и ръкохватните сухи, чисти и неомаслени.** Хлъзгавите дръжки и ръкохватки не позволяват безопасната работа и доброто контролиране на електроинструмента при възникване на неочаквана ситуация.

5) ПОДДЪРЖАНЕ

- a) **Допускате ремонтът на електроинструментите Ви да се извършва само от квалифицирани специалисти и само с използването на оригинални резервни части.** По този начин се гарантира съхраняване на безопасността на електроинструмента.

УКАЗАНИЯ ЗА БЕЗОПАСНА РАБОТА ЗА ПРОБОДЕН ТРИОН

ОБЩИ

- Преди включване на инструмента в контакта се уверете, че мрежовото напрежение отговаря на напрежението, обозначено на фирмената табелка на инструмента (инструменти с номинално напрежение 230V или 240V могат да бъдат включени и към захранване с напрежение 220V)
- Преди да започнете работа, винаги проверявайте как работи инструмента и в случай на дефект незабавно го дайте за ремонт на квалифицирано лице; никога не отваряйте сами електроинструмента
- **Не обработвайте азбестосъдържащ материал** (азбестът е канцероген)
- Машината не трябва да се използва от лица под 16 години
- При работа нивото на шума може да надвиши 85 dB(A); носете антيفони
- Когато работите с материали, отделящи стружки, носете защитни очила
- Прахът от някои материали, като например съдържащо олово боя, някои видове дървесина, минерали и метали може да бъде вреден (контакт или вдишване на такъв прах могат да причинят алергични реакции и/или респираторни заболявания на оператора или стоящите наблизо лица); **използвайте противопрахова маска и работете с аспиращо прахта устройство, когато такова може да бъде свързано**
- Определени видове прах са класифицирани като карциногенни (като прах от дъб и бук) особено когато са комбинирани с добавки за подобряване на състоянието на дървесината; **използвайте противопрахова маска и работете с аспиращо прахта устройство, когато такова може да бъде свързано**
- Следвайте дефинираните по БДС изисквания относно запрашеността за материалите, които желаете да обработвате
- Използвайте напълно развити и обезопасени разклонители с капацитет 16 А
- **Преди извършването на каквато и да било настройка или смяна на принадлежност винаги**

изваждайте щепсела от контакта на електрозахранването

ПРЕДИ УПОТРЕБА

- Премахнете всички препятствия върху повърхността, а също и под пътя на рязане, преди да започнете рязането
- Избягвайте повреди, които могат да бъдат причинени от винтове, гвоздеи и други метални елементи в обработвания детайл; отстранете ги преди да започнете работа
- Използвайте затягащи приспособления или друг практичен начин за обезопасяване и закрепване на обработвания детайл към стабилна основа (държането на обработвания детайл с ръка или опрян до тялото го прави нестабилен и може да доведе до загуба на контрол)

ПРИ УПОТРЕБА

- Когато изпълнявате дейности, при които работният инструмент може да попадне на скрити под повърхността проводници под напрежение или да засегне захранващия кабел, внимавайте да допирате електроинструмента само до изолираните ръкохватки (при контакт с проводник под напрежение то се предава на металните детайли на електроинструмента и това може да предизвика токов удар)
- Когато инструментът е включен в захранването, но не се използва, е възможно дръжката да се затопли; това е нормално и не показва проблем
- Винаги отвеждайте захранващия кабел далеч от движещите се звена на електроинструмента; прехвърлете кабела отзад, далеч от електроинструмента
- Ако кабелът се повреди ил среже по време на работа, не го докосвайте, веднага изключете щепсела, никога не използвайте инструмента с повреден кабел
- Не използвайте инструмента, когато е повреден шнурът; замената му следва да се извърши от квалифицирано лице
- В случай на електрическа или механична неизправност, изключете незабавно апарата и прекъснете контакта с електрическата мрежа
- Когато електроинструментът работи, пазете ръцете си от режещата лента

ДОПЪЛНИТЕЛНИ АКЕСОАРИ

- SKIL може да осигури безаварийна работа на електроинструмента само ако се използват оригинални допълнителни приспособления
- Не използвайте режеща лента, която е напукана, деформирана или затъпена

УПОТРЕБА НА ОТКРИТО

- При работа на открито свързвайте електроинструмента към захранването посредством токопрекъсвач за повреда с максимален пусков ток от 30 mA и използвайте само удължител, предназначено за работа на открито и снабден със защитено от пръски щепселно гнездо

СЛЕД РАБОТА

- Преди да приберете инструмента, изключете мотора и се уверете, че всички движещи се части са преустановили движението

ЛАЗЕРНО ЛЪЧЕНИЕ

- Не насочвайте лазерния лъч срещу хора или животни
- Не гледайте в лазерния лъч (лазерно лъчение)
- Не използвайте каквито и да било увеличителни оптически инструменти (като напр. очила, телескопи или бинокли), за да гледате лазерния лъч
- Не работете с инструмента в присъствие на възпламеними течности, газове или прах
- Не работете с инструмента, ако наоколо има деца

ОБЪСНЕНИЕ НА СИМВОЛИТЕ ПО ИНСТРУМЕНТА

- ③ Преди употреба прочетете ръководството с указания
- ④ Двойна изолация (не се изисква кабел за заземяване)
- ⑤ Не изхвърляйте инструмента заедно с битови отпадъци
- ⑥ Лазерно лъчение / Не гледайте в лъча / Лазерен продукт клас 2

УПОТРЕБА

- Включване/изключване ⑦
- Регулиране на скоростта за плавно пускане в ход ⑧
- Застопоряване на включващия спусък за непрекъсната работа ⑨
- Смяна на остриетата ⑩
 - ! вкрайते острието до максимална дълбочина с насочени напред зъбци ⑪
 - ! толно използвайте ленти с Т-образна опашка
- Рязане под ъгъл 15°/30°/45° ⑫
- Регулиране на скоростта на рязане в зависимост от материала ⑬
 - ! при условие, че инструментът не работи, ногато маховикът D се намира в позиция 1, изберете по висока скорост на рязане, за да задействате инструмента и я намалете отново, докато инструментът е в действие
- Изсмукване на праха ⑭
 - включете прахосмукачката към щуцера E
 - ! не използвайте прахосмукачката, когато режете метал
- Избиране на режим на рязане ⑮
 - Използвайте лост F ⑯ за нагласяване на орбиталното действие от прецизно рязане (= 0) до бързо рязане (= III)
 - 1 комплект ("0") за точно рязане на всякакви материали, прави + извити разрези
 - 3 комплекта за бързо рязане на различни материали, само прави разрези
 - I = метал
 - II = пластмаса
 - III = твърдо дърво
 - ! винаги избирайте "0", когато режете податливи на разцепване материали
- Линия лазер ⑰
 - за водене на инструмента по желаната линия на рязане, отбелязана върху детайла
 - включвайте/изключвайте линията лазер като придвижвате ключ G
 - преди да започнете работа, проверете подравняването на линията лазер спрямо действителната линия на рязане, като направите

пробно разрязване върху парче ненужен материал

! не се опитвайте да регулирате линията на лазера с винта X, това е фабрична настройка
! не отстранявайте и не повреждайте табелката с предупредителния надпис A ②

• Работа с инструмента

- преди да включите електроинструмента, се уверете, че предния край на опорната пластина е легнал добре върху обработвания детайл
- дръжте електроинструмента здраво с двете ръце, така че по всяко време да имате пълен контрол върху него

! по време на работа, винаги дръжте уреда за оцветената(ите) в сице зона(и) за хващане ⑦

- цялата повърхност на опорната пластина трябва да лежи плътно върху обработвания детайл

! преди да вдигнете инструмента от детайла се уверете, че ренещият диск е в пълен покой

- оставяйте вентилационните отвори H ② непокрити

УКАЗАНИЯ ЗА РАБОТА

- Използвайте подходящи режещи ленти ⑱
- !** **только използвайте ленти с Т-образна опашка**
- При рязане на метали смазвайте редовно режещата лента с машинно масло
- Използвайте направляващ винкел J за направата на успоредни срези ⑲
- За постигане на точен прав разрез направлявайте електроинструмента с опорната пластина по ръба на право парче дърво ⑳
- Преди да правите прорези, предварително пробийте отвор ㉑
- Рязане без разцепване
 - преди рязане покрийте линията на разреза с няколко слоя широка лепилна лента
 - лицевата страна на обработвания детайл винаги трябва да сочи надолу
- За повече полезни указания вж. www.skil.com

ПОДДРЪЖКА / СЕРВИЗ

- Този инструмент не е предназначен за професионална употреба
- Поддържайте винаги електроинструмента и захранващия кабел чисти (особено вентилационните отвори H ②)
- !** **преди почистване изключете щепсела**
- Ако въпреки прецизно производство и внимателно изпитване възникне повреда, инструмента да се занесе за ремонт в оторизиран сервиз за електроинструменти на SKIL
 - занесете инструмента в неразглобен вид заедно с доказателство за покупката му в търговския обект, откъдето сте го закупили, или в най-близкия сервиз на SKIL (адресите, както и схемата за сервизно обслужване на електроинструмента, можете да намерите на адрес www.skil.com)

ОПАЗВАНЕ НА ОКОЛНАТА СРЕДА

- **Не изхвърляйте електроуредите, приспособленията и опанковните заедно с битови отпадъци** (само за страни от ЕС)
 - съобразно Директивата на ЕС 2012/19/EG относно износени електрически и електронни уреди и отразяването ѝ в националното законодателство износените електроуреди следва да се събират отделно и да се предават за рециклиране според изискванията за опазване на околната среда
 - за това указва символът ⑤ тогава когато трябва да бъдат унищожени

ШУМ / ВИБРАЦИИ

- Измерено в съответствие с EN 62841 нивото на звуково налягане на този инструмент е 88 dB(A) а нивото на звукова мощност е 99 dB(A) (стандартно отклонение: 3 dB), а вибрациите са * м/с² (векторната сума по трите направления; неопределеност K = 1,5 м/с²)
 - * при рязане на дърво 6,7 м/с²
 - * при рязане на метал 11,4 м/с²
- Нивото на предадените вибрации е измерено в съответствие със стандартизиран тест, определен в EN 62841; то може да се използва за сравнение на един инструмент с друг и като предварителна оценка на подлагането на вибрации при използването на инструмента за посочените приложения
 - използването на инструмента за различни от тези приложения или с други, или лошо поддържани аксесоари може значително **да повиши** нивото на което сте подложени
 - периодите от време, когато инструмента е изключен или съответно включен, но с него не се работи в момента могат значително **да намалят** нивото на което сте подложени
- !** **предпазвайте се от ефектите от вибрациите, като поддържате инструмента и аксесоарите му, пазите ръцете си топли и организирате вашите модели на работа**

SK

Príamočiara píla

1061

ÚVOD

- Toto náradie sa má používať na pílenie a vyrezávanie dreva, plastických materiálov, kovu, keramických dosiek a gumy; je vhodné n rovné a zaoblené rezy so spojmi na pokos uhla do 45°
- Tento nástroj nie je vhodný pre profesionálne použitie
- Prečítajte a uschovajte tento návod na použitie ③

TECHNICKÉ ÚDAJE ①

ČASTI NÁSTROJA ②

- A Štítok s upozornením ⑥
- B Prepínač zapnúť/vypnúť a regulácia rýchlosti
- C Gombík na uzamknutie vypínača

- D Koliesko na nastavovanie rýchlosti pílenia
- E Adaptér pre vysávač
- F Páčka na výberu režimu rezania
- G Vypínač lasera
- H Vetracie štrbiny
- J Vodítko pre pozdĺžne rezanie
- K Clic-systém na výmenu pílových listov
- L Uložné miesto pre kľúč

BEZPEČNOSŤ

VŠEOBECNÉ BEZPEČNOSTNÉ UPOZORNENIA TÝKAJÚCE SA ELEKTRICKÉHO NÁRADIA

⚠ POZOR Prečítajte si všetky bezpečnostné upozornenia, pokyny, ilustrácie a špecifikácie dodané s týmto elektrickým náradím. Zanedbanie dodržiavania všetkých uvedených pokynov môže mať za následok zásah elektrickým prúdom, spôsobiť požiar a/alebo ťažké poranenie.

Všetky upozornenia a pokyny si odložte na ďalšie použitie.

Pojem ručné "elektrické náradie" používané v nasledujúcom texte sa vzťahuje na ručné elektrické náradie napájané zo siete (s prívodnou šnúrou) a na ručné elektrické náradie napájané akumulátorovou batériou (bez prívodnej šnúry).

1) BEZPEČNOSŤ NA PRACOVISKU

- a) **Udržiavajte svoje pracovisko čisté a upratané.**
Neporiadok na pracovisku alebo neosvetlené časti pracoviska môžu viesť k úrazom.
- b) **Nepracujte elektrickým náradím v prostredí ohrozenom výbuchom, v ktorom sa nachádzajú horľavé kvapaliny, plyny alebo prach.** Elektrické náradie produkuje iskry, ktoré môžu prach alebo pary zapáliť.
- c) **Deti a iné osoby udržiavajte počas práce od ručného elektrického náradia v dostatočnej vzdialenosti.** V prípade odpútania Vašej pozornosti by ste mohli stratiť kontrolu nad náradím.

2) ELEKTRICKÁ BEZPEČNOSŤ

- a) **Zástrčka prívodnej šnúry sa musí hodiť do napájacej zásuvky. Zástrčka sa v žiadnom prípade nesmie meniť. Pri uzemnených spotrebičoch nepoužívajte spolu s nimi žiadne adaptéry.** Nezmenená zástrčka a vhodná zásuvka znižujú riziko zásahu elektrickým prúdom.
- b) **Vyhýbajte sa telesnému kontaktu s povrchovými plochami uzemnených spotrebičov, ako sú elektrické rúry, vyhrievacie telesá, sporáky a chladničky.** Keď je Vaše telo uzemnené, riziko zásahu elektrickým prúdom je vyššie.
- c) **Chráňte ručné elektrické náradie pred dažďom a vlhkom.** Vniknutie vody do ručného elektrického náradia zvyšuje riziko zásahu elektrickým prúdom.
- d) **Nepoužívajte prívodnú šnúru na prenášanie náradia, na jeho vešanie, ani za ňu nevyťahujte zástrčku zo zásuvky. Prívodnú šnúru chráňte pred horúčavou, olejom, ostrými hranami alebo pohybujúcimi sa časťami náradia.** Poškodené alebo

zauzlené šnúry zvyšujú riziko zásahu elektrickým prúdom.

- e) **Ak pracujete s ručným elektrickým náradím vonku, používajte len také predlžovacie šnúry, ktoré sú schválené pre používanie vo vonkajších priestoroch.** Používanie predlžovacej šnúry určenej do vonkajšieho prostredia znižuje riziko zásahu elektrickým prúdom.
 - f) **Ak sa nedá vyhnúť použitiu ručného elektrického náradia vo vlhkom prostredí, použite prerušovač uzemňovacieho obvodu.** Používanie prerušovača uzemňovacieho obvodu znižuje riziko zásahu elektrickým prúdom.
- #### 3) BEZPEČNOSŤ OSÔB
- a) **Buďte pozorní, dávajte pozor na to, čo robíte a k práci s elektrickým náradím pristupujte rozumne. Nepoužívajte elektrické náradie, keď ste unavení alebo keď ste pod vplyvom drog, alkoholu alebo liekov.** Chvíľa nepozornosti pri používaní náradia môže viesť k vážnym poraneniam.
 - b) **Noste osobné ochranné pomôcky, ochranný odev a vždy majte nasadené ochranné okuliare.** Nosenie pracovného odevu a používanie ochranných pomôcok ako ochrannej dýchacej masky, bezpečnostných protišmykových topánok, prilby alebo chrániča sluchu, podľa druhu elektrického náradia, znižuje riziko poranenia.
 - c) **Vyhýbajte sa neúmyselnému uvedeniu ručného elektrického náradia do činnosti. Pred zasunutím zástrčky do zásuvky a/alebo pred pripojením akumulátora, pred chytením alebo prenášaním ručného elektrického náradia sa vždy presvedčte sa, či je ručné elektrické náradie vypnuté.** Ak budete mať pri prenášaní ručného elektrického náradia prst na vypínači, alebo ak ručné elektrické náradie pripojíte na elektrickú sieť zapnuté, môže to mať za následok nehodu.
 - d) **Skôr ako ručné elektrické náradie zapnete, odstráňte nastavovacie a montážne nástroje.** Nástroj alebo kľúč, ktorý sa nachádza v pohyblivej časti náradia, môže spôsobiť poranenie.
 - e) **Neprečunujte sa. Zabezpečte si pevný postoj a neprestajne udržiavajte rovnováhu.** Taktó budete môcť ručné elektrické náradie v neočakávaných situáciách lepšie kontrolovať.
 - f) **Pri práci noste vhodný pracovný odev. Nenoste široké odevy a nemajte na sebe šperky.** Vyvarujte sa toho, aby sa vaše vlasy a odev dostali do blízkosti pohyblivých častí. Voľný odev, dlhé vlasy alebo šperky môžu byť zachytené rotujúcimi časťami ručného elektrického náradia.
 - g) **Ak možno namontovať zariadenie na odsávanie alebo zachytávanie prachu, presvedčte sa, či je pripojené a správne používané.** Používanie odsávacieho zariadenia a zariadenia na zachytávanie prachu znižuje riziko ohrozenia zdravia prachom.
 - h) **Nepodliehajte falošnému pocitu istoty získanej z častého používania náradia a nekonajte v rozpore s princípmi bezpečného používania náradia.** Nepozorná práca môže v priebehu zlomkov sekundy viesť k každému poraneniu.

4) STAROSTLIVÉ ZAOBCHÁDZANIE S ELEKTRICKÝM NÁRADÍM A JEHO POUŽÍVANIE

- a) **Náradie nepreťažujte.** Pre svoju prácu používajte určené elektrické náradie. Pomocou vhodného ručného elektrického náradia budete môcť v uvedenom rozsahu výkonu pracovať lepšie a bezpečnejšie.
 - b) **Nepoužívajte žiadne ručné elektrické náradie, ktoré má pokazený vypínač.** Ručné elektrické náradie, ktoré sa už nedá zapínať alebo vypínať, je nebezpečné a treba ho dať opraviť.
 - c) **Skôr ako začnete náradie nastavovať alebo prestavovať, vymieňať príslušenstvo alebo ako odložíte náradie, vždy vytiahnite koncovku sieťovej šnúry zo zásuvky a/alebo vyberte akumulátor, ak sa dá vybrať.** Toto preventívne opatrenie zabraňuje neúmyselnému spusteniu ručného elektrického náradia.
 - d) **Nepoužívané ručné elektrické náradie uschovávajúte mimo dosahu detí.** Nedopusťte, aby ručné elektrické náradie používali osoby, ktoré s ním nie sú dôkladne oboznámené, alebo ktoré si neprečítali tento Návod na používanie. Ak ručné elektrické náradie používajú neskúsené osoby, stáva sa nebezpečným nástrojom.
 - e) **Ručné elektrické náradie a príslušenstvo starostlivo ošetrujte.** Skontrolujte, či pohyblivé súčiastky náradia bezchybne fungujú a neblokujú a či nie sú zlomené alebo poškodené niektoré súčiastky, ktoré by mohli negatívne ovplyvniť fungovanie ručného elektrického náradia. Pred použitím ručného elektrického náradia dajte poškodené súčiastky opraviť. Nejednen úraz bol spôsobený zle udržiavaným náradím.
 - f) **Používané nástroje udržiavajte ostré a čisté.** Starostlivo ošetrované nástroje s ostrými reznými hranami sa menej často zablokujú a ich vedenie je podstatne ľahšie.
 - g) **Používajte ručné elektrické náradie, príslušenstvo, pracovné nástroje a pod. podľa týchto pokynov.** Zohľadnite pritom konkrétne pracovné podmienky a činnosť, ktorú máte vykonať. Používanie ručného elektrického náradia na iné ako určené účely môže viesť k nebezpečným situáciám.
 - h) **Rukováti a úchopové povrchy udržiavajte suché, čisté a bez oleja alebo mazacieho tuku.** Šmyklivé rukováti a úchopové povrchy neumožňujú bezpečnú manipuláciu a ovládanie náradia v neočakávaných situáciách.
- #### 5) SERVIS
- a) **Ručné elektrické náradie zverte do opravy len kvalifikovanému personálu a používajte len originálne náhradné súčiastky.** Tým sa zabezpečí zachovanie bezpečnosti ručného elektrického náradia.

BEZPEČNOSTNÉ POKYNY PRE PRIAMOČIARÉ PÍLY

VŠEOBECNE

- Vždy skontrolujte či je napájacie napätie rovnaké ako napätie uvedené na štítku nástroja (nástroj s menovitým napätím 230V alebo 240V môžete pripojiť aj do siete s napätím 220V)
- Skontrolujte či je nástroj v poriadku pred každým použitím; ak má nástroj poruchu, nikdy ho neotvorte sám, ale ho dajte ihneď opraviť kvalifikovanej osobe

- **Neobrábajte materiál, ktorý obsahuje azbest** (azbest sa považuje za rakovinotvorný materiál)
- Tento nástroj by nemali používať osoby mladšie ako 16 rokov
- Hlasitosť zapnutého prístroja môže byť viac aké 85 dB(A); chráňte si uši ochrannými krycimi prostriedkami
- Noste ochranné okuliare pri rezaní materiálu, z ktorého prskajú triesky
- Prach z materiálu, akým je náter obsahujúci olovo, niektoré druhy dreva, minerály a kovy môže byť škodlivý (styk alebo nadýchanie prachu môže spôsobiť alergické reakcie a/alebo respiračné ochorenia obsluhy a okolostojacich osôb); **používajte ochrannú masku tváre a pracujte so zariadením na odsávanie prachu, ak je takéto zariadenie možné pripojiť**
- Určité druhy prachu sú klasifikované ako karcinogénne (akým dubový a bukový prach), a to hlavne v spojení s prísadami pre úpravu dreva; **používajte ochrannú masku tváre a pracujte so zariadením na odsávanie prachu, ak je takéto zariadenie možné pripojiť**
- Dodržujte stanovené nariadenia pre prácu v prašnom prostredí
- Používajte úplne odmotanú a bezpečnú predĺžovaciu šnúru s kapacitou 16 A
- **Pri nastavovaní alebo výmene príslušenstva vždy vytiahnite prívodný kábel zo zásuvky**

PRED POUŽITÍM

- Predtým než začnete rezať, odstráňte všetky prekážky na vrchnej a spodnej strane reznej dráhy
- Zabráňte poškodeniu náradia skrutkami, klincami a inými kovovými predmetmi v obrobku; zoberte ich dole prv než začnete pracovať
- **Obrábaný predmet upevnite svorkami alebo iným praktickým spôsobom k stabilnému podstavcu** (obrábaný predmet nedržte iba v rukách ani oproti telu, pretože tak nemôžete zabezpečiť jeho stabilitu a môže sa vám vymknúť spod kontroly)

POČAS PRÁCE

- **Držte elektrické náradie len za izolované plochy rukoväti, ak vykonávate takú prácu, pri ktorej by mohli použiť pracovný nástroj natrafiť na skryté elektrické vedenia alebo zasiahnuť vlastnú prívodnú šnúru náradia** (kontakt s elektrickým vedením, ktoré je pod napätím, môže dostať pod napätie aj kovové súčiastky náradia a spôsobíť zásah elektrickým prúdom)
- **Pokiaľ sa zapojené náradie nepoužíva, rukoväť sa môže zahriať; toto je normálne a neoznačuje to žiaden problém**
- Elektrickú šnúru udržiavajte vždy mimo pohybujúcich sa častí nástroja; elektrickú šnúru vždy smerujte dozadu, mimo nástroja
- Ak je sieťová šnúra poškodená alebo ak sa prereže počas prevádzky, nedotýkajte sa jej ale ju ihneď odpojte z hlavnej elektrickej siete
- Nikdy nepoužívajte nástroj ak je šnúra poškodená; šnúru musí vymeniť kvalifikovaná osoba
- V prípade elektrickej alebo mechanickej poruchy zastavte okamžite nástroj a vytiahnite zástrčku z nástennej zásuvky
- Dávajte pozor aby sa ruky nedostali do blízkosti pilového listu keď je nástroj v použití

PRÍSLUŠENSTVO

- SKIL zabezpečí hladký chod nástroja len ak sa používa pôvodné príslušenstvo

- Nepoužívajte prasknutý, deformovaný alebo otopený pilový list

POUŽITIE VONKU

- Pri použití von zapojte nástroj cez vypínač poruchového prúdu (FI), ktorý sa zapne ak intenzita prúdu prevyší 30 mA; použite len predlžovaciu šnúru, ktorá je zvlášť navrhnutá na vonkajšie použitie a ktorá má vodotesnú spojovaciu zástčku

PO PRÁCI

- Skôr než nástroj položíte, presvedčte sa že je motor vypnutý a že sú všetky pohyblivé súčiastky zastavené

VYŽAROVANIE LASERA

- **Nenamierajte laserový lúč na osoby alebo na zvieratá**
- **Nepozerajte sa do laserového lúca (vyžarovanie lasera)**
- Nepozerajte sa cez zväčšovacie optické nástroje (ako zväčšovacie sklo, teleskop, alebo ďalekohľad) na laserový lúč
- Nástroj nepoužívajte v prítomnosti horľavých kvapalín, plynov alebo prachu
- Nástroj nepoužívajte v prítomnosti detí

VYSVETLENIE SYMBOLOV NA NÁSTROJI

- ③ Pred použitím si prečítajte návod na obsluhu
- ④ Dvojitá izolácia (nevyžaduje sa uzemňovací kábel)
- ⑤ Nástroj nevyhadzujte do komunálneho odpadu
- ⑥ **Laserové žiarenie / Nepozerajte sa do lúca / Trieda 2 laserový výrobok**

POUŽITIE

- Zapínanie/vypínanie ⑦
- Regulácia rýchlosti na hladké zapnutie ⑧
- Aretácia vypínača pri nepretržitom používaní ⑨
- Výmena pilového listu ⑩
 - ! **vložte pilový list do úplnej hĺbky tak, že bude smerujú dopredu ⑪**
 - ! **použite len pilové listy typu T**
- Pílenie pod 15°/30°/45° uhlom ⑫
- Nastavenie rýchlosti pílenia podľa typu materiálu ⑬
 - ! **ak náradie nefunguje s kolieskom D v polohe 1, zvolte vyššiu píliacu rýchlosť a znížte rýchlosť pílenia keď je náradie zapnuté**
- Odsávanie prachu ⑭
 - na adaptér E nasuňte odsávaciu hadicu
 - ! **pri rezaní kovu nepoužívajte vysávač**
- Výber režimu rezania ⑮
 - Pákam F ② nastavte orbitálne pílenie od presné pílenie (= 0) až po rýchle pílenie (= III)
 - 1 nastavenie ("0") na presné rezanie vo všetkých materiáloch, rovné + zaoblené hrany
 - 3 nastavenia na rýchlejšie rezanie v rozličných materiáloch, len rovné hrany
 - I = kovy
 - II = plasty
 - III = tvrdé drevo
 - ! **vždy zvolte "0" pri pílení materiálu citlivého na rozštiepenie**
- Čiara laseru ⑯
 - pre vedenie nástroja pozdĺž požadovanej čiary rezu vyznačenej na opracovávanom kuse
 - čiary laseru zapnite/vypnite stlačením vypínača G
 - pred začiatkom práce skontrolujte vyrovnanie čiary laseru so súčasnou čiarou rezu tak, že urobíte trojitý rez na kuse odpadového materiálu

! **nepokúšajte sa čiary laseru nastaviť pomocou skrutky X, ktorá bola prednastavená počas výroby**

! **nálepku s upozornením A ② neodstráňte a nepoškodte**

- Prevádzka nástroja
 - pred zapnutím nástroja dajte pozor aby predný koniec ochodze ležal plocho na opracovávanom materiáli
 - držte nástroj pevne oboma rukami tak, aby ste vždy bol schopný úplne nástroj ovládať
- ! **počas práce vždy držte nástroj v oblasti sivého držiadla(iel) ⑰**
- dajte pozor aby celý povrch ochodze ležal pevne na opracovávanom materiáli
- ! **dajte pozor sa pilkový list úplne zastavil prv než zodvihnete nástroj z opracovávaného materiálu**
- vetracie štrbiny H ② udrzte nezakryté

RADU NA POUŽITIE

- Použite vhodné pilové listy ⑱
- ! **použite len pilové listy typu T**
- Pri rezaní kovov sa pilové listy musia pravidelne mazať olejom
- Používajte paralelný doraz J na paralelné rezanie ⑲
- Presný rovný rez sa dosiahne vedením nástroja ochodzou pozdĺž hrany rovného kusa dreva ⑳
- Predvŕtajte diery prv než začnete vyrezávať otvory ㉑
- Rezanie bez rozštiepenia
 - pred rezaním zakryte rezáciu čiaru niekoľkými vrstvami širokej pásky
 - vždy položte rezaný materiál tak aby dobrá strana smerovala dole
- Viac rád nájdete na www.skil.com

ÚDRŽBA / SERVIS

- Tento nástroj nie je vhodný pre profesionálne použitie
- Nástroj a sieťovú šnúru udrzte stále čisté (zvlášť vetracie štrbiny H ②)
 - ! **pred čistením odpojte z elektrickej siete**
- Ak by nástroj napriek starostlivej výrobe a kontrole predsa len prestal niekedy fungovať, treba dať opravu vykonať autorizovanej servisnej opravovni elektrického náradia SKIL
 - pošlite nástroj **bez rozmontovania** spolu s dôkazom o kúpe; vášmu dílerovi alebo do najbližšieho servisného strediska SKIL (zoznam adries servisných stredísk a servisný diagram nástroja sú uvedené na www.skil.com)

ŽIVOTNÉ PROSTREDIE

- **Elektrické náradie, príslušenstvo a balenia nevyhadzujte do komunálneho odpadu** (len pre štáty EÚ)
 - podľa európskej smernice 2012/19/EG o nakladaní s použitými elektrickými a elektronickými zariadeniami a zodpovedajúcich ustanovení právnych predpisov jednotlivých krajín sa použité elektrické náradie musí zbierať oddelene od ostatného odpadu a podrobiť ekologicky šetrnej recyklácii
 - pripomenie vám to symbol ⑤, keď ju bude treba likvidovať

HLUKU / VIBRACIÁCH

- Merané podľa EN 62841 je úroveň akustického tlaku tohto nástroja 88 dB(A) a úroveň akustického výkonu je 99 dB(A) (štandardná odchýlka: 3 dB), a vibrácie sú * m/s² (súčet vektorov troch smerov; nepresnosť K = 1,5 m/s²)
 - * pri rezaní dreva 6,7 m/s²
 - * pri rezaní kovu 11,4 m/s²
 - Hladina emisií od vibrácií bola nameraná v súlade s normalizovaným testom uvedeným v norme EN 62841; môže sa používať na vzájomné porovnávanie náradí a na predbežné posúdenie vystavenia účinkom vibrácií pri používaní náradia pre uvedené aplikácie
 - používanie náradia na rôzne aplikácie, alebo v spojení s rôznymi alebo nedostatočne udržiavanými doplnkami môže značne **zvýšiť** úroveň vystavenia
 - časové doby počas ktorých je je náradie vypnuté alebo počas ktorých náradie beží ale v skutočnosti nevykonáva prácu môžu značne **znižit** úroveň vystavenia
- ! chráňte sa pred účinkami vibrácií tak, že budete náradie a jeho príslušenstvo správne udržiavať, tak že nebudete pracovať so studenými rukami a tak že si svoje pracovné postupy správne zorganizujete**

HR

Ubodna pila

1061

UVOD

- Ovaj je uređaj predviđen za odrezivanje i izrezivanje drva, plastike, metala, keramičkih pločica i gume, i prikladan je za ravne i zakrivljene rezove do 45°
- Ovaj uređaj nije namijenjen profesionalnoj upotrebi
- Pažljivo pročitajte i sačuvajte ove upute za rukovanje ③

TEHNIČKI PODACI ①

DIJELOVI ALATA ②

- A Naljepnica s upozorenjem ⑥
- B Prekidač za uključivanje/isključivanje i za kontrolu brzine
- C Gumb za blokiranje prekidača
- D Kotačić za reguliranje broja hodova
- E Nastavak za usisivač
- F Ručica za biranje načina piljenja
- G Prekidač za uključivanje/isključivanje lasera
- H Otvori za strujanje zraka
- J Bočni graničnik
- K Clic-sustav za izmjenu lista pile
- L Skladište za ključ

SIGURNOST

OPĆA SIGURNOSNA UPOZORENJA ZA ELEKTRIČNE ALATE

⚠ UPOZORENJE Pročitajte sva sigurnosna upozorenja, upute, ilustracije i specifikacije koje se

isporučuju s ovim električnim alatom. Nepoštivanje dolje navedenih uputa može uzrokovati električni udar, požar i/ili ozbiljne ozljede.

Sva upozorenja i upute sačuvajte kao referencu za buduće upotrebe.

U daljnjem tekstu korišten pojam "električni alat" odnosi se na električne alate s priključkom na električnu mrežu (s mrežnim kabelom) i na električne alate s napajanjem iz aku baterije (bez mrežnog kabela).

1) SIGURNOST NA RADNOM MJESTU

- a) **Vaše radno područje održavajte čisto i uredno.** Nered ili neosvijetljeno radno područje mogu doći do nezgoda.
- b) **S uređajem ne radite u okolini ugroženoj eksplozijom, u kojoj se nalaze zapaljive tekućine, plinovi ili prašina.** Električni alati proizvode iskre koje mogu zapaliti prašinu ili pare.
- c) **Djecu i ostale osobe držite dalje tijekom korištenja električnog alata.** Ako bi skrenuli pozornost sa posla mogli bi izgubiti kontrolu nad uređajem.

2) ELEKTRIČNA SIGURNOST

- a) **Priključni utikač uređaja treba odgovarati utičnici.** Na utikaču se ni u kojem slučaju ne smiju izvoditi izmjene. Ne koristite adapterske utikače zajedno sa uređajima koji su zaštićeni uzemljenjem. Originalni utikač i odgovarajuće utičnice smanjuju opasnost od električnog udara.
 - b) **Izbjegavajte dodir tijela s uzemljenim površinama kao što su cijevi, centralno grijanje, štednjaci i hladnjaci.** Postoji povećana opasnost od električnog udara ako je vaše tijelo uzemljeno.
 - c) **Držite uređaj dalje od kiše ili vlage.** Prodiranje vode u električni uređaj povećava opasnost od električnog udara.
 - d) **Priključni kabel ne koristite za nošenje, vješanje ili za izvlačenje utikača iz utičnice. Držite kabel dalje od izvora topline, ulja, oštih rubova ili pomičnih dijelova uređaja.** Oštećen ili usukan kabel povećava opasnost od električnog udara.
 - e) **Ako s električnim uređajem radite na otvorenom, koristite samo produžni kabel odobren za uporabu na otvorenom.** Primjena produžnog kabela prikladnog za uporabu na otvorenom smanjuje opasnost od električnog udara.
 - f) **Ako se ne može izbjeći uporaba električnog alata u vlažnoj okolini, upotrijebite sigurnosna sklopka za propuštanje u zemlju.** Upotrebom sigurnosne sklopke za propuštanje u zemlju smanjuje se opasnost od električnog udara.
- #### 3) SIGURNOST LJUDI
- a) **Budite oprezni, pazite što činite i postupajte razumno kod rada s električnim alatom. Ne koristite uređaj ako ste umorni ili pod utjecajem opojnih sredstava, alkohola ili lijekova.** Trenutak nepažnje kod uporabe uređaja može doći do ozbiljnih ozljeda.
 - b) **Nosite sredstva osobne zaštite i uvijek zaštitne naočale.** Nošenje sredstava osobne zaštite, kao što je zaštitna maska, sigurnosne cipele koje ne klize, zaštitne kacige ili štitnika za sluh, ovisno od vrste i primjene električnog alata, smanjuje opasnost od nezgoda.

- c) **Izbjegavajte nehotično puštanje u rad. Prije nego što ćete utaknuti utikač u utičnicu i/ili staviti aku-bateriju, provjerite je li električni alat isključen.** Ako kod nošenja električnog alata imate prst na prekidaču ili se uključen uređaj priključi na električno napajanje, to može dovesti do nezgoda.
- d) **Prije nego što uređaj uključite, uklonite alate za podešavanje ili vijčane ključeve.** Alat ili ključ koji se nalazi u rotirajućem dijelu uređaja može doći do nezgoda.
- e) **Ne precjenjujte svoje sposobnosti. Zauzmite siguran i stabilan položaj tijela i držite u svakom trenutku ravnotežu.** Na taj način možete uređaj bolje kontrolirati u neočekivanim situacijama.
- f) **Nosite prikladnu odjeću. Ne nosite široku odjeću ili nakit. Kosu i odjeću držite dalje od pomičnih dijelova.** Široku odjeću, dugu kosu ili nakit mogu zahvatiti pomični dijelovi.
- g) **Ako se mogu montirati naprave za usisavanje i hvatanje prašine, provjerite da li su iste priključene i da li se pravilno koriste.** Primjena naprave za usisavanje može smanjiti ugroženost od prašine.
- h) **Nemojte postati previše bezbrižni i zanemariti sigurnosne upute zato što alat često upotrebljavate i smatrate da ste ga dobro poznali.** Samo jedan trenutak nepažnje dovoljan je za nastanak ozbiljnih ozljeda.
- 4) BRIŽLJIVA UPORABA ELEKTRIČNIH ALATA**
- a) **Ne preopterećujte uređaj. Koristite za vaše radove za to predviđen električni alat.** S odgovarajućim električnim alatom radit ćete bolje i sigurnije, u navedenom području učinka.
- b) **Ne koristite električni alat čiji je prekidač neispravan.** Električni alat koji se više ne može uključiti ili isključiti, opasan je i treba se popraviti.
- c) **Alat prije podešavanja, izmjene pribora i odlaganja isključite iz izvora napajanja i/ili izvadite komplet baterije, ako se vadi iz uređaja.** Ovim mjerama opreza izbjeći će se nehotično uključivanje električnog alata.
- d) **Nekorištene električne alate spremite izvan dosega djece. Ne dopustite da uređaj koriste osobe koje s njim nisu upoznate ili koje nisu pročitale upute za uporabu.** Električni alati su opasni ako ih koriste neiskusne osobe.
- e) **Redovno održavajte električne alate i pribor. Kontrolirajte da li pomični dijelovi uređaja besprijeekorno rade i da nisu zaglavljani, te da li su dijelovi polomljeni ili tako oštećeni da negativno djeluju na funkciju uređaja. Popravite oštećene dijelove prije uporabe uređaja.** Mnoge nezgode imaju svoj uzrok u loše održanim uređajima.
- f) **Rezne alate održavajte ostrim i čistim.** Pažljivo održavani rezni alati s ostrim oštricama neće se zaglaviti i lakši su za vođenje.
- g) **Koristite električne alate, pribor, radne alate, itd., prema navedenim uputama. Pri tome uzmite u obzir radne uvjete i radove koje se izvode.** Uporaba električnih alata za neke druge primjene različite od predviđenih, može doći do opasnih situacija.
- h) **Ručke i zahvatne površine održavajte suhim, čistima i pazite da na njih ne dospiju ulje ili mast.** Skliske ručke i zahvatne površine onemogućuju sigurno

rukovanje i alat se teško kontrolira u neočekivanim situacijama.

5) SERVISIRANJE

- a) **Popravak uređaja prepustite samo kvalificiranom stručnom osoblju i samo s originalnim rezervnim dijelovima.** Na taj će se način postići održanje stalne sigurnosti uređaja.

UPUTE ZA SIGURAN RAD S UBDONOM PILOM

OPĆENITO

- Uvijek provjerite je li napon napajanja isti kao onaj naveden na tipskoj pločici uređaja (uređaji označeni s 230V ili 240V mogu raditi i na 220V)
- Prije svake uporabe provjeriti funkciju uređaja i u slučaju neispravnosti odmah ga poslati na popravak u ovlašten servis; uređaj nikada sami ne otvarajte
- **Ne obrađujte materijal koji sadrži azbest** (azbest se smatra kancerogenim)
- Uređaj ne bi smjele koristiti osobe mlađe od 16 godina
- Razina buke kod rada može premašiti 85 dB(A); nositi štitičke za sluh
- Kod obrade materijala gdje nastaje strugotina treba nositi zaštitne naočale
- Prašina od materijala kao što su boje koje sadrže olovo, neke vrste drveća, minerali i metal mogu biti opasne (dodir s prašinom ili njeno udisanje mogu prouzročiti alergijske reakcije i/ili respiratorna oboljenja rukovatelja ili posmatrača); **nosite masku za zaštitu od prašine i radite s uređajem za ekstrakciju prašine ukoliko ga možete priključiti**
- Određene vrste prašine klasificiraju se kao karcinogenske (kao što su prašina hrastovine i bukovine), osobito u sudejstvu s aditivima za kondicioniranje drveta; **nosite masku za zaštitu od prašine i radite s uređajem za ekstrakciju prašine ukoliko ga možete priključiti**
- Nacionalni uvjeti za materijale s kojima želite raditi
- Upotrebljavajte samo neodmotane i zaštićene produžne kabele kapaciteta 16 ampera
- **Prije svih radova održavanja, podešavanja ili izmjene alata i pribora treba izvući utikač iz mrežne utičnice**

PRIJE UPORABE

- Prije nego što počnete s rezanjem uklonite sve zapreke sa gornje kao i donje površine, koje se nalaze na liniji rezanja
- Izbjegavajte oštećenja od vijaka, čavala i sličnih predmeta na vašem izratku; prije početka rada ih izvadite
- **Koristite stezaljke ili drugi praktičan način za učvršćenje i potporu izratka na stabilnoj platformi** (držanje ruka rukom ili njegovo naslanjanje na tijelo čini ga nestabilnim i može dovesti do gubitka kontrole)

TIJEKOM UPORABE

- **Električni alat držite na izoliranim površinama zahvata, kada radite na mjestima gdje bi svrdlo moglo oštetiti skrivene električne kablove ili vlastiti priključni kabel** (kontakt sa vodom pod naponom može i metalne dijelove električnog alata staviti pod napon i dovesti do strujnog udara)
- **Kada je uključen, nije u uporabi, ručka alata može se zagrijeti; to stanje je uobičajeno i ne predstavlja problem**

- Kabel uvijek držati dalje od rotirajućih dijelova uređaja; kabel povlačiti iza uređaja
- Ako se tijekom rada priključni kabel ošteti ili odreže, ne dirati priključni kabel, nego odmah izvući mrežni utikač
- Nikad ne upotrebljavajte alat kad su kabel oštećeni; neka iz zamijeni kvalificirana osoba
- U slučaju neobičajenog ponašanja uređaja ili neobičnih šumova, uređaj treba odmah isključiti i izvući utikač iz mrežne utičnice
- Držite ruke dalje od lista pile ako je uređaj uključen

PRIBOR

- SKIL može osigurati besprijekoran rad uređaja samo ako se koristi originalni pribor
- Ne smiju se koristiti napukli ili tupi listovi pile ili takvi koji su promijenili svoj oblik

UPORABA NA OTVORENOM

- Kod primjene na otvorenom, uređaj priključiti preko zaštitne sklopke struje kvara (FI), s okidačkom strujom od max. 30 mA i koristiti samo za to predviđen produžni kabel, koji je na priključnom mjestu zaštićen od prskanja

NAKON UPORABE

- Čim se odmaknete od alata trebate ga isključiti, a pomični se dijelovi trebaju potpuno zaustaviti

LASERSKA RADIJACIJA

- **Ne usmjeravajte lasersku zraku prema osobama ili životinjama**
- **Ne gledajte u lasersku zraku (laserska radijacija)**
- Ne gledajte u lasersku zraku pomoću optičkih pomagala za povećavanje (kao što su povećala, teleskopi ili dalekozori)
- Ne upotrebljavajte alat u blizini zapaljivih tekućina, plinova ili prašine
- Ne upotrebljavajte alat dok su u blizini djeca

POJAŠNJENJE SIMBOLA NA UREĐAJU

- ③ Prije upotrebe pročitajte korisnički priručnik
- ④ Dvostruka izolacija (dozemna žica nije potrebna)
- ⑤ Uređaj ne bacajte u kućni otpad
- ⑥ **Laserska radijacija / Ne gledajte u zraku / Laserski proizvod klase 2**

POSLUŽIVANJE

- Uključivanje/isključivanje ⑦
- Reguliranje broja okretaja za meko pokretanje ⑧
- Aretiranje prekidača za stalan rad ⑨
- Izmjena lista pile ⑩
- ! **umetnite list ubodne pile do kraja sa zupcima okrenutim prema naprijed ⑪**
- ! **koristiti samo listove pile s T-drškom**
- Piljenje kod 15°/30°/45° ⑫
- Broj hodova prilagoditi obrađivanom materijalu ⑬
- ! **ako uređaj ne radi s kotačićem D u položaju 1, treba odabrati veći broj hodova i smanjiti broj hodova kod alata koji radi**
- Usisavanje prašine ⑭
 - priključiti usisavač na nastavak E
 - ! **usisavač prašine ne koristiti kod piljenja metala**
- Odabir načina piljenja ⑮
- Odaberite s polugom F ⑯ podešavanje njišućeg gibanja lista pile (od položaja "0" za precizno piljenje do položaja "III" za brzo piljenje)
 - 1 položaj ("0") za precizno piljenje svih materijala, s ravnim+zakrivljenim rezovima

- 3 položaja za brzo piljenje različitih materijala, samo ravni rezovi
 - I = metali
 - II = plastika
 - III = tvrdo drvo

! **kod piljenja materijala gdje se stvaraju iverci, uvijek odabrati "0"**

- Laserska linija ⑰
 - za precizno vođenje uređaja uzduž linije rezanja povučene na izratku
 - laserske linije uključiti/isključiti pritiskom prekidača G
 - prije nego što započnete s radom, provjerite poravnanje laserske linije sa stvarnom linijom reza probnim rezom na komadu otpadnog materijala
 - ! **laserske linije ne podešavajte vijkom X, koji je podešen tvornički**
 - ! **ne uklanjajte niti oštećujte naljepnicu s upozorenjem A ⑳**
- Posluživanje uređaja
 - prije uključivanja uređaja ploča treba prednjom stranom nalijegati na izradak
 - uređaj uvijek čvrsto držati s obje ruke, kako bi uvijek bio pod kontrolom
 - ! **alat kod primjene, držati samo na sivo označenim područjima ㉑**
 - provjerite da li ploča podnožja sigurno naliježe po čitavoj površini
 - ! **list pile se mora potpuno zaustaviti prije nego što se alat ukloni sa izratka**
 - otvore za strujanje zraka H ㉒ držite nepokriveno

SAVJETI ZA PRIMJENU

- Treba koristiti odgovarajuće listove pile ⑱
- ! **koristiti samo listove pile s T-drškom**
- Kod rezanja metala list pile treba redovito podmazivati uljem
- Za izvođenje paralelnih rezova može se koristiti bočni graničnik J ⑲
- Kod preciznog rezanja, alat s donjom pločom voditi uzduž ruba ravnog komada drva ㉒
- Prije izvođenja izreza prethodno izbušiti rupu ㉓
- Rezanje bez stvaranja iveraka
 - liniju rezanja proširiti s više slojeva i prije početka rada oblijepiti ljepljivom trakom
 - površinu izratka uglavnom okrenuti prema dolje
- Dodatne savjete možete naći na adresi www.skil.com

ODRŽAVANJE / SERVISIRANJE

- Ovaj uređaj nije namijenjen profesionalnoj upotrebi
- Održavajte čistim uređaj i kabel (osobito otvore za hlađenje H ②)
- ! **prije čišćenja treba izvući mrežni utikač**
- Ako bi uređaj unatoč brižljivih postupaka izrade i ispitivanja ipak prestao raditi, popravak treba prepustiti ovlaštenom servisu za SKIL električne alate
 - uređaj treba **nerastavljeno** predati, zajedno s računom o kupnji u najbližu SKIL ugovornu servisnu radionicu (popise servisa, kao i oznake rezervnih dijelova uređaja možete naći na adresi www.skil.com)

ZAŠTITA OKOLIŠA

- **Električne alate, pribor i ambalažu ne bacajte u kućni otpad** (samo za EU-države)
 - prema Europskoj direktivi 2012/19/EG o staroj električnoj i elektroničkoj opremi i njenoj primjeni u skladu sa nacionalnim zakonom, istrošeni električni alati moraju se sakupljati odvojeno i odvesti u posebne pogone za reciklažu
 - na to podsjeća simbol ⑤ kada se javi potreba za odlaganjem

BUKA / VIBRACIJA

- Mjereno prema EN 62841 prag zvučnog tlaka ovog električnog alata iznosi 88 dB(A) a jakost zvuka 99 dB(A) (standardna devijacija: 3 dB), a vibracija * m/s² (vektorski zbroj u tri smjera; nesigurnost K = 1,5 m/s²)
 - * kod rezanja drva 6,7 m/s²
 - * kod rezanja metala 11,4 m/s²
 - Razina emitiranja vibracija izmjerena je sukladno normiranom testu danom u EN 62841; ona se može koristiti za usporedbu jedne alatke s drugom, te preliminarnu procjenu izloženosti vibracijama pri uporabi alatke za navedene namjene
 - uporaba ove alatke za druge namjene ili s drugim ili slabo održavanim nastavcima, može u značajnoj mjeri **uvećati** razinu izloženosti
 - vrijeme tokom kojega je alatka isključena, ili je uključena ali se njome ne radi, može značajno **umanjiti** razinu izloženosti
- ! zaštitite se od posljedica vibracija održavanjem alatke i njezinih nastavaka, održavanjem Vaših ruku toplima, te organiziranjem Vaših obrazaca rada**

SRB

Ubodna testera

1061

UPUTSTVO

- Ovaj alat je namenjen za presecanje i odsecanje drveta, plastike, metala, keramičkih ploča i gume; koristi se za pravo i sečenje pod uglom do 45 stepeni
- Ovaj alat nije namenjen za profesionalnu upotrebu
- Pažljivo pročitajte i sačuvajte ova uputstva za rukovanje ③

TEHNIČKI PODACI ①

ELEMENTI ALATA ②

- A Nalepnica sa upozorenjem ⑥
- B Prekidač za uključivanje/isključivanje i kontrolu brzine
- C Dugme za uvršćivanje prekidača
- D Toččić za regulisanje brzine testerisanja
- E Produžetak za usisivač
- F Ručica za biranje režima sečenja
- G Prekidač za uključivanje/isključivanje lasera
- H Prorezi za hlađenje
- J Bočna ograda
- K Klik-sistem za zamenu sečiva testere
- L Skladište za ključ

SIGURNOST

OPŠTA SIGURNOSNA UPOZORENJA ZA ELEKTRIČNI ALAT

⚠ UPOZORENJE Pročitajte **sva** sigurnosna upozorenja, uputstva, ilustracije i specifikacije isporučene uz ovaj električni alat. Propusti kod pridržavanja svih dole navedenih uputstava mogu imati za posledicu električni udar, požar i/ili teške povrede.

Sačuvajte sva upozorenja i uputstva za buduću upotrebu.

Pojam upotrebljen u upozorenjima "električni alat" odnosi se na električne alate sa radom na mreži (sa mrežnim kablom) i na električne alate sa radom na akumulator (bez mrežnog kabla).

1) SIGURNOST NA RADNOM MESTU

- Držite Vaše područje rada čisto i pospremljeno.**
Nered ili neosvetljena radna područja mogu voditi nesrećama.
- Ne koristite električni alat tamo gde postoji opasnost od eksplozije kao npr. u prisustvu zapaljivih tečnosti, gasova ili prašine.** Električni alati proizvode varnice, koje mogu zapaliti prašinu ili isparenja.
- Za vreme korišćenja električnog alata držite podalje decu i druge osobe.** Kod skretanja možete izgubiti kontrolu nad alatom.

2) ELEKTRIČNA SIGURNOST

- Utikač električnog alata mora odgovarati utičnici.** Nikada nemojte modifikovati utikač. Ne upotrebljavajte adaptere utikača sa uzemljenim električnim alatom. Nemodifikovani utikači i odgovarajuće utičnice smanjuju rizik od električnog udara.
- Izbegavajte telesni kontakt sa uzemljenim gornjim površinama, kao što su cevi, grejanja, šporeti i rashladni ormani.** Postoji povećani rizik od električnog udara, ako je Vaše telo uzemljeno.
- Ne izlažite električni alat kiši ili vlažnim uslovima.** Prodor vode u električni alat povećava rizik od električnog udara.
- Ne zloupotrebljavajte kabl.** Nikada nemojte koristiti kabl za nošenje i vučenje električnog alata ili za izvlačenje iz utičnice. Držite kabl dalje od vreline, ulja, oštih ivica ili pokretnih delova. Oštećeni ili umršeni kablovi povećavaju rizik električnog udara.
- Ako sa nekim električnim alatom radite u prirodi, upotrebljavajte samo produžne kablove koji su dozvoljeni za spoljno područje.** Upotreba produžnog kabla pogodnog za spoljno područje smanjuje rizik od električnog udara.
- Ako rad električnog alata ne može da se izbegne u vlažnoj okolini, koristite prekidač strujne zaštite pri kvaru.** Upotreba prekidača strujne zaštite pri kvaru smanjuje rizik od električnog udara.

3) SIGURNOST OSOBA

- Budite oprezni, pazite na to šta radite i razumno rukujte Vašim električnim alatom.** Ne koristite električni alat dok ste umorni ili pod uticajem

- narkotika, alkohola ili lekova.** Momenat nepažnje kod upotrebe električnog alata može rezultirati ozbiljnim povredama.
- b) **Nosite ličnu zaštitnu opremu i uvek zaštitne naočare.** Nošenje lične zaštitne opreme, kao maske za prašinu, sigurnosne cipele koje ne klizaju, zaštitni šlem ili zaštitu za sluh, zavisno od vrste i upotrebe električnog alata, smanjujete rizik od povreda.
- c) **Sprečite nenamerno puštanje u rad. Pre priključivanja na struju i/ili na akumulatorsku bateriju, podizanja ili nošenja alata uverite se da je prekidač isključen.** Nošenje električnog alata sa prstom na prekidaču ili priključivanje na struju uključeno električnog alata vodi do nesreće.
- d) **Uklonite bilo kakve ključeve za podešavanje ili ključeve za zavrtnjeve, pre nego što uključite električni alat.** Ostavljanje ključa za zavrtnjeve ili ključa prikačene na rotirajući deo električnog alata može rezultirati ličnom povredom.
- e) **Ne zauzimajte neadekvatan položaj. Sve vreme držite ravnotežu i pravilan položaj nogu.** Ovo omogućava bolje upravljanje električnim alatom u neočekivanim situacijama.
- f) **Nosite pogodno odelo. Ne nosite široko odelo ili nakit. Držite kosu i odeću dalje od pokretnih delova.** Opušteno odelo, nakit ili duža kosa mogu biti zahvaćeni od rotirajućih delova.
- g) **Ako se mogu montirati uredjaji za usisavanje prašine i uredjaji za hvatanje prašine, uverite se da li su priključeni i ispravno koriste.** Upotreba usisavanja prašine može smanjiti opasnosti od prašine.
- h) **Ne dozvolite da pouzdanje koje ste stekli čestom upotrebom alata utiče na to da postanete neoprezni i da zanemarite sigurnosne principe za upotrebu alata.** Neoprezno delovanje može prouzrokovati teške povrede u deliću sekunde.
- 4) BRIŽLJIVO OPHODJENJE I KORIŠĆENJE ELEKTRIČNIH ALATA**
- a) **Ne preopterećujte električni alat. Koristite električni alat koji odgovara Vašoj primeni.** Sa odgovarajućim električnim alatom radite bolje i sigurnije tempom za koji je projektovan.
- b) **Ne upotrebljavajte električni alat, čiji je prekidač u kvaru.** Električni alat koji više ne može da se uključi ili isključi je opasan i mora da se popravi.
- c) **Izvučite utikač iz utičnice i/ili izvadite akumulatorsku bateriju, ukoliko je to moguće, iz električnog alata pre nego što izvršite bilo kakva podešavanja, promenu pribora ili pre nego što uskladištite električni alat.** Takve preventivne sigurnosne mere smanjuju rizik od slučajnog pokretanja električnog alata.
- d) **Čuvajte električne alate koje ne koristite izvan domašaja dece i ne dozvoljavajte osobama, koje nisu upoznate sa ovim električnim alatom ili sa ovim uputstvima, da rukuju električnim alatom.** U rukama neobučениh korisnika električni alati postaju opasni.
- e) **Održavajte električni alat i pribore. Proverite da li su pokretni delovi u ravni i da li negde zapinju, da nije došlo do lomljenja delova i svako drugo stanje koje može uticati na rad električnog alata. Ukoliko je oštećen, odnesite električni alat na popravku pre**

korišćenja. Mnoge nesreće su prouzrokovane lošim održavanjem električnih alata.

- f) **Držite alate za sečenja oštre i čiste.** Brižljivo negovite alate za sečenje sa oštrim sečivima manje slepljuju i lakše se vode.
- g) **Upotrebljavajte električne alate, pribor, alate koji se umeću itd. prema ovim uputstvima. Obratite pažnju pritom na uputstva za rad i posao koji treba izvesti.** Upotreba električnih alata za druge od propisanih namena može voditi opasnim situacijama.
- h) **Održavajte drške i prihvatne površine suvim, čistim i bez ostataka ulja ili masnoće.** Klizave drške ili prihvatne površine ne omogućavaju bezbedno rukovanje i upravljanje alatom u neočekivanim situacijama.
- 5) SERVISIRANJE**
- a) **Vaš električni alat dajte na servisiranje samo kvalifikovanom licu za popravku, koristeći pritom samo identične rezervne delove.** Ovo će osigurati očuvanje bezbednosti električnog alata.

SIGURNOSNA UPUTSTVA ZA UBODNU TESTERU

OPŠTA

- Uvek se uverite da je napon struje isti kao i napon naveden na pločici sa nazivom alatu (alati na kojima je naveden napon od 230V ili 240V mogu da rade i na 220V)
 - Proverite funkcionisanje električnog alata pre upotrebe i u slučaju postojanja bilo kakvog kvara dajte odmah na popravku nikada ne otvarajte alat sami
 - **Ne obrađujte nikakav materijal koji sadrži azbest** (azbest važi kao izazivač raka)
 - Ovaj alat ne treba da koriste osobe ispod 16 godina
 - Buka koju alat proizvodi tokom rada može da premaši 85 dB(A); nosite zaštitu za sluh
 - Nosite naočare kada radite sa materijalima koji proizvode piljevinu
 - Prašina od materijala, kao što su boja koja sadrži olovo, neke vrste drveta, minerali i metal, može biti opasna (dodir ili udisanje prašine može prouzrokovati alergijske reakcije i/ili respiratorna oboljenja rukovoaca i lica u blizini); **nosite masku protiv prašine i radite uz uključeni uređaj za ekstrakciju prašine kada radite na mestima gde ju je moguće priključiti**
 - Određene vrste prašine su klasifikovane kao kancerogene (kao što su prašina hrastovine i bukovine), posebno u sadejstvu sa aditivima za pripremu drveta; **nosite masku protiv prašine i radite uz uključeni uređaj za ekstrakciju prašine kada radite na mestima gde ju je moguće priključiti**
 - Prati nacionalne propise vezane za prašinu koja se proizvodi prilikom rada na obrađivanim materijalima
 - Produžni kabl koji koristite mora da bude sasvim odmotan i siguran, sa kapacitetom od 16 A
 - **Obavezno iskopčajte alat iz električne utičnice pre nego što izvršite bilo kakva podešavanja ili zamenu pribora**
- PRE UPOTREBE**
- Pre nego što započnete sečenje, uklonite sve prepreke na vrhu, kao i ispod putanje sečenja
 - Izbegavajte oštećenja od šrafova, eksera i drugih predmeta na vašem području rada; uklonite ih pre nego što započnete rad

- **Upotrebite stezaljke ili na drugi praktičan način učvrstite i poduprite radni predmet na stabilnu platformu** (ako radni predmet držite rukom ili ga oslonite o telo, on tada nije stabilan i može doći do gubitka kontrole)

TOKOM UPOTREBE

- **Držite električni alat za izolovane hvataljke kada izvodite radove kod kojih upotrebljeni alat može da susretne skrivene vodove struje ili kabl samog alata** (kontakt sa jednim vodom koji sprovodi struju može da stavi pod napon metalne delove uređaja i da utiče na električni udar)
- **Kada se uključeni alat ne koristi, ručka alata može da se zagreje; to je normalno i ne znači nikakav kvar**
- Kabl uvek držite podalje od pokretnih delova alata; uvek ga treba držati iza alata
- Ako se kabl ošteti ili preseče u toku rada, odmah ga iskopčajte i nemojte ga dodirivati
- Nikada nemojte da koristite alat ako je kabl oštećen; zamenu kabla mora da obavi stručno lice
- U slučaju da dođe do električnog ili mehaničkog kvara, odmah isključite alat i iskopčajte ga iz utičnice
- Držite ruke dalje od sečiva kada radite sa električnim alatom

PRIBOR

- SKIL može priznati garanciju samo ukoliko je korišćen originalni pribor
- Ne koristite sečivo koje je napuklo, deformisano ili tupo

KORIŠĆENJE NA OTVORENOM

- Prilikom primene alata napolju, priključite ga preko FI sklopke sa strujom isključenja od maksimalnih 30mA i koristite samo jedan produžni gajtan, koji je dredviden za korišćenje na otvorenom i koji ima utikač zaštićen od prodora vode

NAKON UPOTREBE

- Kada završite rad sa alatom, isključite motor i proverite da li su se zaustavili svi pokretni delovi

LASERSKA RADIJACIJA

- **Nemojte da usmeravate laserski zrak u ljude ili životinje**
- **Nemojte da gledate u laserski zrak (laserska radijacija)**
- Nemojte da gledate laserski zrak pomoću optičkih pomagala za uvećavanje (kao što su lupe, teleskopi ili dvogledi)
- Nemojte da koristite alatku u blizini zapaljivih tečnosti, gasova ili prašine
- Nemojte da koristite alatku ukoliko su u blizini deca

OBJAŠNJENJE SIMBOLA NA ALATU

- ③ Pročitajte uputstvo za korišćenje pre prve upotrebe
- ④ Dvostruka izolacija (nije potrebna žica za uzemljenje)
- ⑤ Alat ne odlažite u kućne otpatke
- ⑥ **Laserska radijacija / Nemojte da gledate u laserski zrak / Laserski proizvod klase 2**

UPUTSTVO ZA KORIŠĆENJE

- Uključivanje/isključivanje ⑦
- Zakočenje prekidača za lagani start ⑧
- Učvršćivanje prekidača za stalno bušenje ⑨
- Promena sečiva ⑩
- ! **ubacite sečivo do pune dubine sa zupcima okrenutim prema napred ⑪**
- ! **koristite samo T-prihvatač sečiva**

- Testerisanje na 15/30/45 stepeni ⑫
- Podešavanje brzine testerisanja prema materijalu koji se koristi ⑬

! **ako alat ne radi sa točkićem D u poziciji 1, izaberite veću brzinu testerisanja i smanjite je lagano dok alat radi**

- Usisavanje prašine ⑭
- priključite usisivač na produžetak E
- ! **ne koristite vakumski čistač kada sečete metal**
- Izbor režima sečenja ⑮
- Koristite nivo F ⑯ za podešavanje putanje sečenja od preciznog sečenja (= 0) do brzog sečenja (= III)
- 1 pozicija ("0") za precizno sečenje u svim materijalima, pravo i pod uglom
- 3 pozicija za brzo sečenje u različitim materijalima, pravo sečenje jedino
- I = metal
- II = plastika
- III = tvrdo drvo

! **uvek izaberite "0" kada testerirate osetljiv materijal**

- Laserski zrak ⑰
- za vođenje električnog alata duž željene linije označene na području rada
- uključiti/isključiti laserski zrak pritisom prekidača G
- pre početka rada, proveriti da li je laserski zrak poravnat sa pravom linijom sečenja tako što se izvrši probno sečenje na komadu otpadnog materijala
- ! **ne pokušavajte da podesite laserski zrak pomoću zavrtnja X koji je fabrički podešen**
- ! **nemojte da skidate ili oštetite nalepnicu sa upozorenjem A ⑱**
- Rukovanje alatom
- pre paljenja motora proverite da je prednji deo radne ploče postavljen ravno na radnom mestu
- držite alat čvrsto obema rukama, tako će te imati punu kontrolu nad alatom sve vreme
- ! **dok radite, uvek držite alat za mesto(a) koja(a) su označena sivom bojom ⑲**
- uverite se da cela površina radne ploče leži čvrsto na radnom mestu
- ! **pre nego što podignete alat sa područja rada, proverite da li je došlo do potpunog prekida rada sečiva**
- prezezi za hlađenje H ⑳ moraju da budu otvoreni

SAVETI ZA PRIMENU

- Koristite odgovarajuće sečivo ⑳
- ! **koristite samo T-prihvatač sečivo**
- Kada sečete metal stavite sečivo podmazano uljem
- Koristite graničnik J za paralelno sečenje ㉑
- Za bilo koje precizno pravo sečenje, postavite alat sa radnom pločom oslonjenom na vodiču (npr. komad pravog drveta) ㉒
- Pre isecanja napravite rupe ㉓
- Sečenje bez krotina
- prekritje liniju sečenja višeslojnim ili širokim trakama pre sečenja
- lice materijala je okrenuto niže na radnom mestu
- Za više saveta pogledajte www.skil.com

ODRŽAVANJE / SERVIS

- Ovaj alat nije namenjen za profesionalnu upotrebu
- Alat i kabl uvek održavajte čistim (posebno otvore za hlađenje H ②)
- ! **pre čišćenja iskopčajte kabl iz utičnice**
- Ako bi alat i pored brižljivog postupka izrade i kontrole nekada otkazao, popravku mora vršiti neki autorizovani servis za SKIL-električne alate
 - pošaljite **nerastavljeni** alat zajedno sa potvrdom o kupovini vašem nabavljaču ili najbližem SKIL servisu (adrese i oznake rezervnih delova možete naći na www.skil.com)

ZAŠTITA OKOLINE

- **Električne alate, pribora i ambalaže ne odlažite u kućne otpatke** (samo za EU-države)
 - prema Europskoj direktivi 2012/19/EG o staroj električnoj i elektronskoj opremi i njenoj upotrebi u skladu sa nacionalnim pravom, električni alati koji su istrošeni moraju biti sakupljeni odvojeno i dostavljeni pogonu za reciklažu
 - simbol ⑤ će vas podsetiti na to

BUKA / VIBRACIJE

- Mereno u skladu sa EN 62841 nivo pritiska zvuka ovog alata iznosi 88 dB(A) a jačina zvuka 99 dB(A) (normalno odstupanje: 3 dB), a vibracija * m/s² (zbir vektora tri pravca; nesigurnost K = 1,5 m/s²)
 - * pri sečenju drvo 6,7 m/s²
 - * pri sečenju metal 11,4 m/s²
- Nivo emisije vibracija izmeren je u skladu sa standardizovanim testom datim u EN 62841; on se može koristiti za upoređenje jedne alatke sa drugom, kao i za preliminarnu procenu izloženosti vibracijama pri korišćenju ove alatke za pomenute namene
 - korišćenje alatke u drugačije svrhe ili sa drugačijim ili slabo održanim nastavcima može značajno **povećati** nivo izloženosti
 - vreme kada je alatka isključena ili kada je uključena, ali se njome ne radi, može značajno **smanjiti** nivo izloženosti
- ! **zaštite se od posledica vibracija održavanjem alatke i njenih nastavaka, održavajući Vaše ruke toplim i organizovanjem Vaših radnih obrazaca**

SLO

Vbodna žaga

1061

UVOD

- Orodje je namenjeno za rezanje in izrezovanje iz lesa, plastike, kovine, keramičnih ploščic in gume, za ravne in krive reze za kota in 45°
- To orodje ni namenjeno profesionalni uporabi
- Preberite in shranite navodila za uporabo ③

TEHNIČNI PODATKI ①

DELI ORODJA ②

- A Nalepka z opozorilom ⑥
- B Vklonno/izklonno stikalo in za nadzor hitrosti
- C Gumb za blokiranje stikala
- D Kolo za regulacijo hitrosti giba
- E Priključek za sesalnik
- F Ročica za izbiro načina žaganja
- G Stikalo za vklop/izklop laserja
- H Ventilacijske reže
- J Stransko vodilo
- K Clic-sistem za menjavo žaginega lista
- L Mesto za shranjevanje ključa

VARNOST

SPLOŠNA VARNOSTNA OPOZORILA ZA ELEKTRIČNA ORODJA

⚠ OPOZORILO Preberite vsa varnostna opozorila, navodila, ilustracije in specifikacije, ki so priložene temu električnemu orodju. Če spodaj navedenih napotkov ne upoštevate, lahko pride do električnega udara, požara in/ali težke poškodbe.

Vsa opozorila in navodila shranite, saj jih boste v prihodnosti morda potrebovali.

Pojem "električno orodje", ki se pojavlja v nadaljnjem besedilu, se nanaša na električna orodja z električnim pogonom (z električnim kablom) in na akumulatorska električna orodja (brez električnega kabla).

1) VARNOST NA DELOVNEM MESTU

- a) **Poskrbite, da bo Vaše delovno mesto vedno čisto in urejeno.** Nered ali neosvetljena delovna področja lahko povzročijo nezgode.
- b) **Prosimo, da orodja ne uporabljate v okolju, kjer je nevarnost za eksplozije in v katerem se nahajajo gorljive tekočine, plini in prah.** Električna orodja povzročajo iskenje, zato se gorljivi prah ali pare lahko vnamejo.
- c) **Ne dovolite otrokom in drugim osebam, da bi se medtem ko delate, približali električnemu orodju.** Druge osebe lahko odvrnejo Vašo pozornost drugam in izgubili boste nadzor nad orodje.

2) ELEKTRIČNA VARNOST

- a) **Vtiči mora ustrezati električni vtičnici in ga pod nobenim pogojem ne smete spreminjati.** Uporaba adapterskih vtičev v kombinaciji z ozemljena orodja ni dovoljena. Originalni oziroma nespremenjeni vtiči in ustrezne vtičnice zmanjšujejo tveganje električnega udara.
- b) **Izogibajte se telesnemu stiku z ozemljenimi površinami, na primer s cevmi, grelci, štedilniki in hladilniki.** Če je ozemljeno tudi vaše telo, obstaja povečano tveganje električnega udara.
- c) **Zavarujte orodje pred dežjem ali vlago.** Vdor vode v električno orodje povečuje tveganje električnega udara.
- d) **Električnega kabla ne uporabljajte za prenašanje ali obežanje orodja in ne vlecite vtiči iz vtičnice tako, da vlečete za kabel.** Zavarujte kabel pred vročino, oljem, ostrimi robovi in premikajočimi se deli orodja.

Poškodovani ali prepleteni kabli povečujejo tveganje električnega udara.

- e) **Če z električnim orodjem delate na prostem, uporabljajte izključno kabelski podaljšek, ki je atestiran za delo na prostem.** Uporaba kabelskega podaljška, primerneza za delo na prostem, zmanjšuje tveganje električnega udara.
- f) **Če je uporaba električnega orodja v vlažnem okolju neizogibna, uporabljajte prekinjevalec električnega tokokroga.** Prekinjevalca električnega tokokroga zmanjšuje tveganje električnega udara.

3) OSEBNA VARNOST

- a) **Bodite zbrani in pazite, kaj delate. Dela z električnim orodjem se lotite razumno. Nikoli ne uporabljajte orodja, če ste utrujeni in če ste pod vplivom mamil, alkohola ali zdravil.** En sam trenutek nepazljivosti pri uporabi orodja ima lahko za posledico resne telesne poškodbe.
- b) **Uporabljajte osebna zaščitna sredstva in vedno nosite zaščitna očala.** Uporaba osebnih zaščitnih sredstev, na primer maske proti prahu, nedrsečih zaščitnih čevljev, zaščitne čelade in slušnikov, odvisno od vrste in uporabe električnega orodja, zmanjšuje tveganje telesnih poškodb.
- c) **Izogibajte se nenamernemu zagonu. Pred priključitvijo električnega orodja na električno omrežje in/ali na akumulator in pred dviganjem ali nošenjem se prepričajte, če je električno orodje izklopljeno.** Prenajanje naprave s prstom na stikalu ali priključitev vklopljenega električnega orodja na električno omrežje je lahko vzrok za nezgodo.
- d) **Pred vklopom orodja odstranite z nje nastavitvena orodja ali vijaki ključ.** Orodje ali ključ, ki se nahajata na vrtečem se delu električnega orodja, lahko povzročita nezgodo.
- e) **Ne precenjujte se in poskrbite za varno stojišče in stalno ravnotežje.** Tako boste lahko v nepričakovani situaciji bolje obvladali orodje.
- f) **Oblecite se primerno. Ne nosite ohlapnih oblačil ali nakita. Las in oblačil ne približujte premikajočim se delom.** Ohlapna oblačila, nakit ali dolgi lasje se lahko ujamejo v premikajoče se dele.
- g) **Če je možno na orodje namestiti priprave za odsesavanje in prestrezanje prahu, prepričajte se, ali so le-te priključene in, če jih pravilno uporabljate.** Uporaba priprave za odsesavanje prahu zmanjšuje zdravstveno ogroženost zaradi prahu.
- h) **Naj seznanjenost z orodjem, ki jo pridobite s pogosto uporabo, ne bo razlog za to, da postanete lahkomišeln in ignorirate varnostna načela.** V delčku sekunde lahko nepozorno dejanje pripelje do hude poškodbe.

4) RAVNANJE IN NEGA ROČNEGA ORODJA

- a) **Ne prebremenjujte orodja. Za določeno delo uporabljajte električno orodje, ki je predvideno za opravljanje tega dela.** Z ustreznim električnim orodjem boste delo opravili bolje in varneje, ker je bilo v ta namen tudi konstruirano.
- b) **Električno orodje, ki ima pokvarjeno stikalo, ne uporabljajte.** Električno orodje, ki ga ni možno vklopiti ali izklopiti, je nevarno in ga je potrebno popraviti.

- c) **Izvlcite vtič iz vtičnice in/ali odstranite akumulatorsko baterijo, če jo je mogoče izvzeti, še preden orodje popravljate, menujete pribor ali ga shranite.** Ti preventivni varnostni ukrepi zmanjšajo tveganje za nenamenski zagon orodja.
- d) **Kadar orodja ne uporabljate ga shranjujte izven dosega otrok. Osebam, ki orodja ne poznajo ali niso prebrale teh navodil, orodja ne dovolite uporabljati.** Električna orodja so nevarna, če jih uporabljajo nezkušene osebe.
- e) **Vzdržujte električna orodja in pribor. Preverite, če premikajoči se deli orodja delujejo brezhibno in če se ne zatikajo, oziroma, če kakšen del orodja ni zlomljen ali poškodovan do te mere, da bi oviral njegovo delovanje. Pred nadaljnjo uporabo je potrebno poškodovani del popraviti.** Vzrok za številne nezgode so ravno slabo vzdrževana električna orodja.
- f) **Rezalna orodja naj bodo ostra in čista.** Skrbno negovana rezalna orodja z ostrimi rezili se manj zatikajo in so boljše vodljiva.
- g) **Električna orodja, pribor, nastavek in podobno uporabljajte v skladu s temi navodili. Pri tem upoštevajte delovne pogoje in vrsto dela, ki ga nameravate opraviti.** Zaradi uporabe električnega orodja v druge, nepredvidene namene, lahko nastanejo nevarne situacije.
- h) **Ročaji in površine za prijetanje naj bodo suhe, čiste in brez olja ali maščobe.** Gladki ročaji in površine za prijetanje ne omogočajo varne uporabe in nadzora orodja v nepričakovanih situacijah.

5) SERVISIRANJE

- a) **Popravilo orodja lahko opravi samo usposobljena strokovna oseba in to izključno z originalnimi nadomestnimi deli.** Le tako bo ohranjena nadaljnja varnost orodja.

VARNOSTNA NAVODILA ZA VBODNE ŽAGE

SPLOŠNO

- Vedno preverite, če je napetost omrežja enaka napetosti, ki je navedena na tablici orodja (orodje z nazivno napetostjo 230V ali 240V lahko priključite tudi na napetost 220V)
- Pred vsako uporabo preverite pravilno delovanje orodja; v primeru okvare naj orodje takoj popravi strokovnjak v pooblaščenih servisnih delavnicah; nikoli ne odpirajte orodja sami
- **Ne obdelujte materiala, ki vsebuje azbest** (azbest povzroča rakasta obolenja)
- Orodja naj ne bi uporabljale osebe mlajše od 16 let
- Med delom lahko nivo hrupa presega 85 dB(A); uporabljajte zaščitno proti hrupu
- Nosite zaščitna očala kadar delate z materiali kjer nastajajo odkruški
- Prah materialov, kot so barve, ki vsebujejo svinec, nekatere vrste lesa, mineralov ali kovin so lahko škodljivi (ob stiku ali vdihavanju lahko prah pri delavcu ali pri drugih prisotnih povzroči alergijsko reakcijo in/ali bolezni dihal); **nosite masko za prah in pri delu uporabljajte napravo za odsesavanje prahu, kjer je le-to možno priključiti**
- Nekatere vrste prahu so klasificirane kot kancerogene (kot npr. prah hrasta in bukve) še posebno ob sočasni

uporabi z dodatki za obdelavo lesa; **nosite masko za prah in pri delu uporabljajte napravo za odsesavanje prahu, kjer je le-to možno priključiti**

- Upoštevajte nacionalne zahteve glede prahu za materiale katere želite obdelovati
- Uporabljajte povsem iztegnjene in varne električne podaljške, z jakostjo 16 amperov
- **Vedno izvlecite električni vtičnik iz vtičnice preden spreminjate nastavitve ali menjate pribor**

PRED UPORABO

- Odstranite ovire nad in pod linijo reza že pred začetkom žaganja
- Izogibajte se poškodb zaradi vijakov, žebeljev ali drugih elementov v obdelovancu; odstranite jih pred začetkom dela
- **Obdelovanec zavarujte in pritrdite s sponami ali drugo opremo** (če obdelovanec držite z rokami ali proti telesu, bo nestabilen in lahko izgubite nadzor nad orodjem)

MED UPORABO

- **Električno orodje smete držati le na izoliranem ročaju, če delate na območju, kjer lahko vstavljenno orodje pride v stik s skritimi omrežnimi napeljavami ali lastni omrežni kabel** (stik z napeljavo, ki je pod napetostjo povzroči, da so posledično tudi kovinski deli orodje pod napetostjo in to vodi do električnega udara)
- **Medtem, ko priklopljenega orodja ne uporabljate, se ročaj lahko segreje; to je sicer normalen pojav in ni vzrok nepravilnega delovanja**
- Kabel naj bo vedno odmaknjen od gibljivih delov stroja; usmerite ga proti zadnjemu delu, stran od stroja
- Če je priključni kabel poškodovan ali se med delom pretрга se ga ne dotikajte, temveč takoj potegnite električni vtičnik iz vtičnice
- Nikoli ne uporabljajte orodja, če je kabel poškodovan; okvaro naj odpravi strokovnjak
- Če pride do električnih ali mehanskih okvar, takoj izklopite stroj in izvlecite vtičnik iz vtičnice
- Pazite, da so roke odmaknjene od žaginega lista kadar je orodje vključeno

PRIBOR

- SKIL zagotavlja brezhibno delovanje orodja le z uporabo originalnega dodatnega pribora
- Ne uporabljajte poškodovanih, deformiranih ali topih žaginih listov

ZUNANJA UPORABA

- Pri uporabi na prostem, orodje priključite na posebno tokovo zaščito FID z občutljivostjo toka max. 30 mA in uporabljajte podaljševalni kabel, ki je zaščiten proti vlagi

PO UPORABI

- Ko orodje postavite v stran, izklopite motor in pazite, da se vsi premikajoči se deli orodja popolnoma zaustavijo

SEVANJE LASERJA

- **Ne usmerjajte laserskega žarka proti osebam ali živalim**
- **Ne glejte v laserski žarek (sevanje laserja)**
- Za opazovanje laserskega žarka ne uporabljajte nobenih optičnih povečevalnih orodij (povečevalno steklo, teleskop ali daljnogled)
- Ne uporabljajte orodja v bližini vnetljivih tekočin, plinov ali prahu
- Ne uporabljajte orodja, ko so v bližini otroci

POJASNILO OZNAK NA ORODJU

- ③ Pred uporabo preberite navodila za uporabo
- ④ Dvojna izolacija (ozemljitveni kabel ni potreben)
- ⑤ Orodja ne odstranjujte s hišnimi odpadki
- ⑥ **Lasersko sevanje / Ne glejte v žarek / Razred laserja 2 izdelek**

UPORABA

- Vkllop/izklop ⑦
- Nastavitev številca vrtljajev za nežnejši start vrtljavnika ⑧
- Aretacija stikala ⑨
- Menjava žaginih listov ⑩
 - ! vsatavite list do konca v orodje, zobje morajo biti obrnjeni naprej ⑪
 - ! uporabljajte samo žagine liste s T-stebli
- Rezanje pod kotom 15°/30°/45° ⑫
- Nastavite hitrost rezanja glede na material ⑬
 - ! če orodje ne začne rezati ko je gumb D v poziciji 1, je potrebno nastaviti gumb na večjo hitrost dokler ne začne rezati, nato pa prestaviti gumb na nižjo hitrost
- Odsesavanje prahu ⑭
 - priključite sesalnik na stranski priključek E
 - ! ne uporabljajte sesalca pri rezanju kovine
- Izbira načina rezanja ⑮
 - Uporabite stikalo F ② za nastavitev načina žaganja, od natančnega rezanja (= 0) do hitrega rezanja (= III)
 - 1 nastavitev "0" za natančno rezanje v vse materiale; ravno + krivo
 - 3 nastavitve za hitreše rezanje v različne materiale, samo za ravne reze
 - I = kovina
 - II = plastika
 - III = trd les
 - ! pri rezanju drobljivih in občutljivih materialov vedno izberite položaj "0"
- Laserski žarek ⑯
 - pri vodenju orodja po črti reza na obdelovancu
 - vklopite/izklopite laserski žarek s pritiskom stikala G
 - pred začetkom dela preverite, da je laserski žarek vzporeden z dejansko črto reza, tako da naredite poskusni rez na odpadnem materialu
 - ! ne poskušajte nastaviti laserskega žarka z vijakom X, ki je tovarniško prednastavljen
 - ! ne odstranite in ne poškodujte nalepke z opozorilom A ②
- Upravljanje orodja
 - pred vklopom orodja mora biti vodilo položeno na površino obdelovanca
 - orodje držite vedno z obema rokama, s tem imate med delom popoln nadzor nad orodjem
 - ! med delom vedno držite orodje za sivo obarvano mesto prijema ⑰
 - pazite, da je vodilo med delom popolnoma položeno na površino obdelovanca
 - ! prepričajte se, da je žagin list popolnoma zaustavljen, preden orodje odmaknete iz obdelovanca
 - ventilacijske reže H ② morajo biti nepokrite

UPORABNI NASVETI

- Uporabljajte samo ustrezne žagine liste ⁽¹⁶⁾
! uporabljajte samo žagine liste s T-stebli
- Pri žaganju kovin žagin list redno naoljite
- Za vzporedne reze uporabite vzporedno vodilo J ⁽¹⁹⁾
- Za natančno ravno rezanje vodite orodja vzdolž pritritega ravnega kosa lesa ⁽²⁰⁾
- Pred izrezovanjem izvtajte luknjo ⁽²¹⁾
- Rezanje drobljivih materialov
 - pred rezanjem prelepitate linijo reza z nekaj plastmi širokega lepilnega traku
 - pri rezanju naj bo boljša stran obdelovanca obrnjena navzdol
- Za več nasvetov glejte pod www.skil.com

VZDRŽEVANJE/SERVISIRANJE

- Orodje ni namenjeno profesionalni uporabi
- Priključni kabel in orodje naj bosta vedno čista (posebej še prezračevalne odprtine H ⁽²⁾)
! izvlecite vtičak iz vtičnice pred čiščenjem
- Če bi kljub skrbnim postopkoma izdelave in preizkušanja prišlo do izpada delovanja orodja, naj popravilo opravi servisna delavnica, pooblaščen za popravila SKILevih električnih orodij
 - pošljite **nerazstavljeno** orodje skupaj s potrdilom o nakupu pri vašemu prodajalcu v najbližjo SKIL servisno delavnico (naslovi, kot tudi spisek rezervnih delov se nahaja na www.skil.com)

OKOLJE

- **Električnega orodja, pribora in embalaže ne odstranjujte s hišnimi odpadki** (samo za države EU)
 - v skladu z Evropsko direktivo 2012/19/EG o odpadni električni in elektronski opremi in z njenim izvajanjem v nacionalni zakonodaji je treba električna orodja ob koncu njihove življenjske dobe ločeno zbirati in jih predati v postopek okolju prijaznega recikliranja
 - ko je potrebno odstranjevanje, naj vas o načinu spomni simbol ⁽⁵⁾

HRUP / VIBRACIJA

- Izmerjeno v skladu s predpisom EN 62841 je raven zvočnega pritiska za to orodje 88 dB(A) in jakosti zvoka 99 dB(A) (standarden odmik: 3 dB), in vibracija * m/s² (vektorska vsota treh smeri; netočnost K = 1,5 m/s²)
 - * pri rezanju les 6,7 m/s²
 - * pri rezanju kevin 11,4 m/s²
- Raven oddajanja vibracij je bila izmerjena v skladu s standardiziranimi testi, navedenimi v EN 62841; uporabiti jo je mogoče za primerjavo različnih orodij med seboj in za predhodno primerjavo izpostavljenosti vibracijam pri uporabi orodja za namene, ki so omenjeni
 - uporaba orodja za drugačne namene ali uporaba skupaj z drugimi, slabo vzdrževanimi nastavki lahko znatno **poveča** raven izpostavljenosti
 - čas, ko je orodje izklopljeno ali ko teče, vendar z njim ne delamo, lahko znatno **zmanjša** raven izpostavljenosti**! pred posledicami vibracij se zaščitite z vzdrževanjem orodja in pripadajočih nastavkov, ter tako, da so vaše roke tople, vaši delovni vzorci pa organizirani**

EST

Tikkisaag

1061

SISSEJUHATUS

- Tööriist on ettenähtud puidu, plastmaterjalide, metalli, keraamiliste plaatide ja kummi saagimiseks, samuti eelnimetatud materjalides väljalõigete teostamiseks; võimalik on teha nii otse- kui figuurlõikeid või 45° nurga all
- See tööriist pole mõeldud professionaalseks kasutamiseks
- Palun lugege käesolevat kasutusjuhend hoolikalt läbi ja hoidke alles ⁽³⁾

TEHNILISED ANDMED ⁽¹⁾

SEADME OSAD ⁽²⁾

- A Hoiatussilt ⁽⁶⁾
- B Lüüti tööriista sisse/väljalülitamiseks ja kiiruse kontrollimiseks
- C Lüüti lukustusnupp
- D Käigusageduse regulaator
- E Tolmuimeja adapter
- F Hoob saagimisasendi valikuks
- G Laseri sisse/välja lülitamise nupp
- H Öhutusavad
- J Paralleeljuhid
- K Clic-süsteem saelehe vahetuseks
- L Lehtvõtme hoidik

OHUTUS

ÜLDISED OHUTUSNÕUDED ELEKTRILISTE TÕÕRIISTADE KASUTAMISEL

⚠ TÄHELEPANU Lugege läbi kõik elektrilise tööriistaga kaasas olevad ohutusnõuded ja juhised ning tutvuge jooniste ja tehniliste andmetega.

Ohutusnõuete ja juhiste eiramise tagajärjeks võib olla elektrilöök, tulekahju ja/või rasked vigastused.

Hoidke kõik ohutusnõuded ja juhised edaspidiseks alles.

Allpool kasutatud mõiste "elektriline tööriist" käib võrgutoitega (toitejuhtmega) elektriliste tööriistade ja akutoitega (ilma toitejuhtmata) elektriliste tööriistade kohta.

1) OHUTUSNÕUDED TÕÕPIRKONNAS

- Hoidke töökoht puhas ja korras.** Segadus või valgustamata tööpiirkonnad võivad põhjustada õnnetusi.
- Ärge kasutage seadet plahvatusohtlikus keskkonnas, kus leidub tuleohtlikke vedelikke, gaase või tolmu.** Elektrilistest tööriistadest lööb sädemeid, mis võivad tolmu või auru süüdata.
- Kui kasutate elektrilist tööriista, hoidke lapsed ja teised isikud töökohast eemal.** Kui Teie tähelepanu kõrvale juhitakse, võib seade Teie kontrolli alt väljuda.

2) ELEKTRIOHUTUS

- a) **Seadme pistik peab pistikupessa sobima. Pistiku kallal ei tohi teha mingeid muudatusi. Ärge kasutage kaitsemaandusega seadmete puhul adapterpistikuid.** Muutmata pistikud ja sobivad pistikupesad vähendavad elektrilöögi saamise riski.
- b) **Vältige kehakontakti maandatud pindadega, nagu torud, radiaatorid, pliidid ja külmikud.** Kui Teie keha on maandatud, on elektrilöögi risk suurem.
- c) **Hoidke seadet vihma ja niiskuse eest.** Kui elektriseadmesse on sattunud vett, on elektrilöögi saamise risk suurem.
- d) **Ärge kasutage toitejuhet selleks mitte ettenähtud otstarbel seadme kandmiseks, ülesriputamiseks ega pistiku pistikupesast väljatõmbamiseks. Hoidke toitejuhet kuumuse, õli, teravate servade ja seadme liikuvate osade eest.** Kahjustatud või keerduläänud toitejuhtmed suurendavad elektrilöögi saamise riski.
- e) **Kui töötate elektrilise tööriistaga vabas õhus, kasutage ainult selliseid pikendusjuhtmeid, mida on lubatud kasutada ka välistingimustes.** Välistingimustes kasutamiseks sobiva pikendusjuhtme kasutamine vähendab elektrilöögi saamise riski.
- f) **Kui elektrilise tööriista kasutamine niiskes keskkonnas on vältimatu, kasutage maandusega lekkevoolukaitses. Maandusega lekkevoolukaitsme kasutamine vähendab elektrilöögi ohtu.**

3) INIMESTE TURVALISUS

- a) **Olge tähelepanelik, jälgige, mida Te teete, ning toimige elektrilise tööriistaga töötades mõistlikult. Ärge kasutage seadet, kui olete väsinud või uimastite, alkoholi või ravimite mõju all.** Hekeline tähelepanematus seadme kasutamisel võib põhjustada tõsisid vigastusi.
- b) **Kandke isikukaitsevahendeid ja alati kaitseprille.** Isikukaitsevahendite, nagu tolmumask, libisemiskindlad turvajalatsid, kaitsekiiver või kuulmiskaitsevahendid, kandmine – sõltuvalt elektrilise tööriista tüübist ja kasutusalasalt – vähendab vigastuste riski.
- c) **Vältige seadme tahtmatut käivitamist. Enne pistiku ühendamist pistikupessa, aku ühendamist seadme külge, seadme ülestõstmist ja kandmist veenduge, et elektriline tööriist on välja lülitatud.** Kui hoiate elektrilise tööriista kandmisel sõrme lülilil või ühendate vooluvõrku sisselülitatud seadme, võivad tagajärjeks olla õnnetused.
- d) **Enne seadme sisselülitamist eemaldage selle küljest reguleerimis- ja nutrivõtmed.** Seadme pöörleva osa küljes olev reguleerimis- või nutrivõti võib põhjustada vigastusi.
- e) **Ärge hinnake end üle. Võtke stabiilne tööasend ja hoidke kogu aeg tasakaalu.** Nii saate seadet ootamatutes olukordades paremini kontrollida.
- f) **Kandke sobivat rõivastust. Ärge kandke laiu riideid ega ehteid. Hoidke juuksed ja rõivad seadme liikuvatest osadest eemal.** Lotendavad riided, ehted või pikad juuksed võivad sattuda seadme liikuvate osade vahele.
- g) **Kui on võimalik paigaldada tolmuemaldus- ja tolmukogumisseadiseid/seadmeid, veenduge, et need oleksid seadmega ühendatud ja et need**

kasutataks õigesti. Tolmuemaldusseadise kasutamine vähendab tolmust põhjustatud ohte.

- h) **Ärge muutuge tööriista sagedasest kasutamisest hooletuks ja ärge eirake ohutusnõudeid.** Hooletus võib sekundi murdosa jooksul kaasa tuua raskeid vigastusi.
- ## 4) ELEKTRILISE TÖÖRIISTADE HOOLIKAS KÄSITSEMINE JA KASUTAMINE
- a) **Ärge koormake seadet üle. Kasutage töö tegemiseks selleks ettenähtud elektrilist tööriista.** Sobiva elektrilise tööriistaga töötate paremini ja turvalisemalt ettenähtud võimsusvahemikus.
 - b) **Ärge kasutage elektrilist tööriista, mille lüliti on rikkis.** Elektriline tööriist, mida ei ole enam võimalik sisse ja välja lülitada, on ohtlik ning seda tuleb remontida.
 - c) **Tõmmake pistik pistikupesast välja ja/või eemaldage seadme aku, kui on eemaldatav, enne seadme reguleerimist, tarvikute vahetamist ja seadme ärapanekut.** See ettevaatusabinõu väldib seadme tahtmatut käivitamist.
 - d) **Kasutusvälisel ajal hoidke elektrilisi tööriistu lastele kättesaamatult. Ärge laske seadet kasutada isikutel, kes seda ei tunne või pole siintoodud juhiseid lugenud.** Kogenematute kasutajate käes kujutavad elektrilised tööriistad ohtu.
 - e) **Hoolitsege elektriliste tööriistade ja tarvikute eest korralikult. Kontrollige, kas seadme liikuvad osad funktsioneerivad korralikult ja ei kiildu kinni, ning ega mõned osad ei ole katki või sel määral kahjustatud, et võiksid mõjutada seadme töökindlust. Laske kahjustatud osad enne seadme kasutamist parandada.** Paljude õnnetuste põhjuseks on halvasti hooldatud elektrilised tööriistad.
 - f) **Hoidke lõiketarvikud teravad ja puhtad.** Hoolikalt hoitud, teravate lõikeservadega lõiketarvikud kiilduvad harvemini kinni ja neid on lihtsam juhtida.
 - g) **Kasutage elektrilist tööriista, lisavarustust, tarvikuid jne vastavalt siintoodud juhistele. Arvestage seejuures tööttingimuste ja teostatava töö iseloomuga.** Elektriliste tööriistade kasutamine mitte ettenähtud otstarbel võib põhjustada ohtlikke olukordi.
 - h) **Hoidke käepidemed ja haardepinnad kuiva ja puhtana ning vabana õlist ja määrdeainetest.** Libedad käepidemed ja haardepinnad ei luba tööriista ohutult käsitseda ja ootamatutes olukordades kontrolli all hoida.
- ## 5) TEENINDUS
- a) **Laske seadet parandada ainult kvalifitseeritud spetsialistidel ja ainult originaalvaruosadega.** Nii tagate seadme püsimise turvalisena.

OHUTUSJUHISED TIKKSAAGIDE KOHTA

ÜLDIST

- Kontrollige alati, kas võrgupinge ühtib tööriista andesildil toodud pingega (andesildil toodud 230V või 240V korral võib tööriistad kasutada ka 220V võrgupinge puhul)
- Kontrollige tööriista funktsioneerimist enne igakordset kasutamist ning laske see rikke korral koheselt remonditöökojas parandada; ärge kunagi avage tööriista ise

- **Asbestisaldava materjali töötlemine on keelatud** (asbest võib tekitada vähki)
- Tööriista kasutaja peab olema vähemalt 16 aastat vana
- Töötamise ajal võib müratase ületada 85 dB(A); kandke kuulmiskaitsevahendeid
- Materjalide töötlemisel, millega kaasneb laastude teke, kandke kaitseprille
- Värviga kaetud juhtmed, mõned puiduliigid, mineraalid ja metall eraldavad tolmu, mis võib olla kahjulik (kokkupuude tolmuga või selle sissehingamine võib seadme kasutajal või läheduses viibivatel inimestel põhjustada allergilisi reaktsioone ja/või hingamisteede haigusi); **kandke tolmumaski ja vajaduse korral töötage külgeühendatava tolmueemaldusseadmega**
- Teatud tüüpi tolm on klassifitseeritud kantserogeensena (nt tammest ja kasest eralduv tolm), eriti koos puidu niiskuse reguleerimiseks kasutatavate lisanditega; **kandke tolmumaski ja vajaduse korral töötage külgeühendatava tolmueemaldusseadmega**
- Erinevate materjalide töötlemisel tekkiva tolmu käitlemisel tuleb järgida kehtivaid nõudeid
- Pikendusjuhtmete kasutamisel jälgige, et juhe oleks lõpuni lahti keritud ja vastaks 16 A voolutugevusele
- **Enne seadme reguleerimist või tarviku vahetust eemaldage seade vooluvõrgust (tõmmake pistik pistikupesast välja)**

ENNE KASUTAMIST

- Enne saagimise alustamist eemaldage kõik nii töödeldava materjali peal- kui allpool lõikejoonel asuvad takistused
- Vältige töödeldavas esemes olevatest kruvidest, naeltest vms põhjustatud kahjustusi; eemaldage need enne töö alustamist
- **Kinnitage toorik klambriga või muul praktilisel moel kindlale stabiilsele alusele** (tööd käes hoides või vastu keha surudes võib see paigast liikuda)

KASUTAMISE AJAL

- **Kui teostate töid, mille puhul võib tarvik tabada varjatud elektrijuhtmeid või seadme enda toitejuhet, hoidke seadet ainult isoleeritud käepidemetest** (kontakt pingele all oleva elektrijuhtmega võib pingestada seadme metallosad ja põhjustada elektrilöögi)
- **Kui mittetöötava tööriista pistik on pistikupessa ühendatud ja sellega kaasneb käepideme soojenemine; siis see on normaalne ega tähenda, et tegemist on rikkega**
- Vältige toitejuhtme kokkupuutumist seadme pöörlevate osadega; hoidke toitejuhet alati tööriistast eemal, tagapool
- Kui toitejuhe saab töötamise ajal kahjustada või see lõigatakse läbi, ärge toitejuhet puutuge, vaid eemaldage koheselt pistik vooluvõrgust
- Ärge kunagi kasutage kahjustatud toitejuhtmega tööriista; laske toitejuhe remonditöökojas välja vahetada
- Seadme elektrilise või mehhaanilise häire korral lülitage seade viivitamatult välja ja eemaldage pistik vooluvõrgust
- Kui tööriist on sisse lülitatud, hoidke käed saelehest eemal

TARVIKUD

- SKIL tagab seadme häireteta töö üksnes originaaltarvikute kasutamisel

- Keelatud on kasutada rebenenud või nürisid, samuti deformeerunud saelehti

KASUTAMINE VÄLITINGIMUSTES

- Tööde teostamiseks välitingimustes tuleb kasutada rikkevoolu-kaitselülitit (FI max 30 mA käivitusvool) ning ainult välitingimustes kasutamiseks ette nähtud ja veepritsmete eest kaitstud pistikupesaga pikendusjuhet

PÄRAST KASUTAMIST

- Enne tööriista juurest lahkumist lülitage see välja ning oodake, kuni selle liikuvad osad on täielikult seiskunud

LASERKIIRGUS

- **Ärge suunake laserkiirt inimeste ega loomade peale**
 - **Ärge vaadake laserkiire sisse (laserkiirgus)**
 - Ärge kasutage laserkiire nähtavuse parendamiseks suurendavaid optilisi seadmeid (nt luppi, teleskoopi, binoklit)
 - Ärge kasutage seadet tuleohtlike vedelike, gaaside või tolmu läheduses
 - Seadme kasutamisel hoidke lapsed seadme eemal
- #### TÖÖRIISTAL OLEVATE SÜMBOLITE SELGITUS
- ③ Enne kasutamist tutvuge kasutusjuhendiga
 - ④ Topelisolatsioon (maandusjuhe pole vajalik)
 - ⑤ Ärge visake kasutuskõlbatuks muutunud tööriista ära koos olmejäätmetega
 - ⑥ **Laserkiirgus / Ärge vaadake laserkiire sisse / Lasertoode klassist 2**

KASUTAMINE

- Sisse/välja ⑦
- Pöörete arvu reguleerimine sujuvaks käivituseks ⑧
- Lülitil lukustamine pidevaks tööks ⑨
- Saelehe vahetus ⑩
- ! paigaldage saeleht, hambad ettepoole, täies ulatuses ⑪
- ! kasutage ainult T-kujulise varreosaga saelehti
- Saagimine 15°/30°/45° nurga all ⑫
- Käigusagedus valik vastavalt materjalile ⑬
- ! kui seade ei liigu regulaatorist D asendisse 1, valida kõrgem käigusagedus ja vähendada käigusagedust siis, kui seade töötab
- Tolmu eemaldamine ⑭
 - ühendage tolmuimeemisvoolik adapteriga E
- ! metalli saagimisel ei tohi tolmueemaldust kasutada
- Saagimisasendi valik ⑮
 - Hoovast F ② valige saelehe pendelliikumine (alates asendist "0" täpseks saagimiseks kuni asendini "III" kiireks saagimiseks)
 - 1 asend ("0") kõikides materjalides otse- ja figuurlõigete tegemiseks
 - 3 asendit kiireks saagimiseks erinevates materjalides, ainult otselõiked
 - I = metall
 - II = plastmaterjalid
 - III = kõva puit
- ! kergesti lõhustuva materjali saagimisel valige alati asend "0"
- Laserjoon ⑯
 - tööriista täpseks juhtimiseks mõõda töödeldavale esemele märgitud lõikejoont
 - laserjoone sisse-/väljalülitamiseks vajutage lülile G

- enne töö alustamist kontrollige laserjoone joondust tegeliku lõikejoone peal, tehes mõne praaktüki sisse proovilõike

! ärge üritage reguleerida laserjoone asendit kruviga X – see on tehases paika seatud

! ärge eemaldage ega kahjustage hoiatussilti A ②

• Seadme kasutamine

- enne tööriista sisselülitamist peab alusplaadi esikülge toetuma tasasel töödeldavale esemele
- tööriista kindlaks kontrollimiseks hoidke seda alati tugevalt kahe käega

! töötamise ajal hoidke tööriista kinni korpuse ja käepideme halli värvi osadest 17

- veenduge, et alusplaat toetub kogu oma pinnaga kindlalt töödeldavale esemele

! enne tööriista eemaldamist toorikust veenduge, et saeketas on täielikult seiskunud

- hoidke õhutusavad H ② kinnikatmata

TÖÖJUHISED

- Kasutage sobivaid saelehti 18

! kasutage ainult T-kujulise varreosaga saelehti

- Metallil saagimisel määrige saelehte regulaarselt õliga
- Paralleelõigetega teostamiseks kasutage paralleeljuhkut J 19
- Täpse lõikejoone saamiseks liigutage tööriista alusplaati piki sirge servaga puutükki 20
- Enne väljalõigetega tegemise puurige auk ette 21
- Saagimine materjali kahjustamata
 - enne töö algust katke lõikejoon mitme kihi laia kleefliindiga
 - asetage töödeldava eseme ilusam (pealmine) pool alati allapoole
- Rohkem nõuandeid leiata aadressil www.skil.com

HOOLDUS/TEENINDUS

- Tööriist pole mõeldud professionaalseks kasutamiseks
- Hoidke seade ja toitejuhe alati puhtad (eriti õhutusavad H ②)
- ! enne puhastamist eemaldage seade vooluvõrgust**
- Tööriist on hoolikalt valmistatud ja testitud; kui tööriist sellest hoolimata rikki läheb, tuleb see lasta parandada SKILi elektriliste käsitööriistade volitatud remonditöökojas
 - toimetage **lahtimonteerimata** seade koos ostukviitungiga tarnijale või lähimasse SKILi lepingulisse töökotta (aadressid ja tööriista varuosade joonise leiata aadressil www.skil.com)

KESKKOND

- **Ärge visake kasutuskõlbmatuks muutunud elektrilisi tööriistu, lisatarvikuid ja pakendeid ära koos olmejäätmetega** (üksnes EL liikmesriikidele)
 - vastavalt Euroopa Parlamendi ja nõukogu direktiivile 2012/19/EÜ elektri- ja elektroonikaseadmete jäätmete kohta ning direktiivi nõuete kohaldamisele liikmesriikides tuleb kasutuskõlbmatuks muutunud elektrilised tööriistad koguda eraldi ja keskkonnasäästlikult korduvkasutada või ringlusse võtta
 - seda meenutab Teile sümbol ⑤

MÜRA / VIBRATSIOON

- Vastavalt kooskõlas normiga EN 62841 läbi viidud mõõtmistele on tööriista helirõhk 88 dB(A) ja helitugevus 99 dB(A) (standardkõrvalekalle: 3 dB), ja vibratsioon \ast m/s^2 (kolme telje vektorsumma; mõõtemääramatus $K = 1,5 m/s^2$)
 - \ast puidu saagimisel 6,7 m/s^2
 - \ast metalli saagimisel 11,4 m/s^2
- Tekkiva vibratsiooni tase on mõõdetud vastavalt standardis EN 62841 kirjeldatud standarditud testile; seda võib kasutada tööriistade võrdlemiseks ja tööriista kasutamisel ettenähtud töödeks esineva vibratsiooni esialgseks hindamiseks
 - tööriista kasutamisel muudeks rakendusteks või teiste/halvasti hooldatud tarvikute kasutamisel võib vibratsioon märkimisväärselt **suurenda**
 - ajal, kui tööriist on väljalülitatud või on küll sisselülitatud, kuid tegelikult seda ei kasutata, võib vibratsioon märkimisväärselt **väheneda**
- ! enda kaitsmiseks vibratsiooni eest hooldage tööriista ja selle tarvikuid korralikult, hoidke oma käed soojad ja tagage sujuv töökorraldus**

LV

Figürzāģis

1061

IEVADS

- Šis instruments ir paredzēts zāģēšanai un izzāģēšanai kokā, plastmasā, metalā, keramikas plāksnēs un gumijā un ir piemērots taisnu, lokveida un slīpo zāģējuma (ar zāģējuma leņķi 0° un 45°) veidošanai
- Šis instruments nav paredzēts profesionālai lietošanai
- Izlasiet un saglabājiet šo pamācību ③

TEHNISKIE PARAMETRI ①

INSTRUMENTA ELEMENTI ②

- A Brīdinošā uzlīme ⑥
- B Ieslēdzējs un griešanās ātruma regulators
- C Poga ieslēdzēja fiksēšanai
- D Ritenītis maksimālā darbības ātruma iestādīšanai
- E Putekļsūcēja savienotājelements
- F Svira zāģēšanas režīma pārslēgšanai
- G Lāzera ieslēgšanas/izslēgšanas slēdzis
- H Ventilācijas atveres
- J Paralēlā vadotne
- K Sistēma Clic zāģa asmeņu nomainīšanai
- L Nodalījums atslēgas ievietošanai

DROŠĪBA

VISPĀRĒJIE NOTEIKUMI ELEKTROINSTRUMENTU DROŠAI LIETOŠANAI

⚠ BRĪDINĀJUMS Izlasiet drošības noteikumus un instrukcijas, aplūkojiet ilustrācijas un iepazīstieties ar specifikācijām, kas tiek piegādātas kopā ar šo elektroinstrumentu. Šeit sniegto drošības noteikumu un

instrukciju neievērošana var izraisīt aizdegšanos un būt par cēloni elektriskam triecienam vai nopietnam savainojumam.

Saglabājiet visus drošības noteikumus un instrukcijas turpmākai izmantošanai.

Turpmākajā izklāstā lietotais apzīmējums

“elektroinstruments” attiecas gan uz tīkla elektroinstrumentiem (ar elektrokabeļi), gan arī uz akumulatora elektroinstrumentiem (bez elektrokabeļa).

1) DROŠĪBA DARBA VIETĀ

- a) **Sekojiēt, lai darba vieta būtu tīra un sakārtota.** Nekārtīgā darba vietā vai sliktā apgaismojumā var viegli notikt nelaimes gadījums.
- b) **Nelietojiet elektroinstrumentu eksplozīvu vai ugunsnedrošu vielu tuvumā un vietās ar paaugstinātu gāzes vai putekļu saturu gaisā.** Darba laikā instruments nedaudz dzirksteļo, un tas var izsautīt viegli degošu putekļu vai tvaiku aizdegšanos.
- c) **Lietojiet elektroinstrumentu, neļaujiet nepiederošām personām un jo īpaši bērniem tuvoties darba vietai.** Citu personu klātbūtne var novērst uzmanību, un tā rezultātā jūs varat zaudēt kontroli pār instrumentu.

2) ELEKTRODROŠĪBA

- a) **Elektroinstrumenta kontaktdakšai jābūt piemērotai elektrotīkla kontaktligzdai. Kontaktdakšas konstrukciju nedrīkst nekādā veidā mainīt. Nelietojiet kontaktdakšas salāgotājus, ja elektroinstruments caur kabeli tiek savienots ar aizsargzēmējuma ķēdi.** Neizmainītas konstrukcijas kontaktdakša, kas piemērota kontaktligzdai, ļauj samazināt elektriskā trieciena saņemšanas risku.
- b) **Darba laikā nepieskarieties sazēmētiem priekšmetiem, piemēram, caurulēm, radiatoriem, plītiem vai ledusskapjiem.** Pieskaroties sazēmētām virsmām, pieaug risks saņemt elektrisko triecienu.
- c) **Nelietojiet elektroinstrumentu lietus laikā, neturiet to mitrumā.** Mitrumam iekļūstot instrumentā, pieaug risks saņemt elektrisko triecienu.
- d) **Nenesiet un nepiekarīet elektroinstrumentu aiz elektrokabeļa. Neraujiet aiz kabeļa, ja vēlaties atvienot instrumentu no elektrotīkla kontaktligzdas. Sargājiet elektrokabeļi no karstuma, eļļas, asām šķautnēm un instrumenta kustīgajām daļām.** Bojāts vai samezgļojies elektrokabeļis var būt par cēloni elektriskajam triecienam.
- e) **Darbinot elektroinstrumentu ārpus telpām, izmantojiet tā pievienošanai vienīgi tādas pagarinātājkabeļus, kuru lietošana ārpus telpām ir atļauta.** Lietojot elektrokabeļi, kas piemērots darbam ārpus telpām, samazinās risks saņemt elektrisko triecienu.
- f) **Ja elektroinstrumentu tomēr nepieciešams lietot vietās ar paaugstinātu mitrumu, izmantojiet tā pievienošanai noplūdes strāvas aizsargreleju.** Lietojot noplūdes strāvas aizsargreleju, samazinās risks saņemt elektrisko triecienu.

3) PERSONISKĀ DROŠĪBA

- a) **Darba laikā saglabājiet paškontroli un rīkojieties saskaņā ar veselo saprātu. Pārtrauciet darbu, ja jūtaties noguris vai atrodaties alkohola, narkotiku vai medikamentu izraisītā reibumā.** Strādājot ar

elektroinstrumentu, pat viens neuzmanības mirklis var būt par cēloni nopietnam savainojumam.

- b) **Izmantojiet individuālos darba aizsardzības līdzekļus un darba laikā vienmēr nēsājiet aizsargbrilles.** Individuālo darba aizsardzības līdzekļu (putekļu maskas, neslīdošu apavu un aizsargķiveres vai ausu aizsargu) pielietošana atbilstoši elektroinstrumenta tipam un veicamā darba raksturam ļauj izvairīties no savainojumiem.
 - c) **Nepieļaujiet elektroinstrumenta patvaļīgu ieslēgšanos. Pirms elektroinstrumenta pievienošanas elektrotīklam, akumulatora ievietošanas vai izņemšanas, kā arī pirms elektroinstrumenta pārņemšanas pārliecinieties, ka tas ir izslēgts.** Pārnesot elektroinstrumentu, ja pirksts atrodas uz ieslēdzēja, kā arī pievienojot to elektrobarošanas avotam laikā, kad elektroinstruments ir ieslēgts, var viegli notikt nelaimes gadījums.
 - d) **Pirms instrumenta ieslēgšanas neaizmirstiet izņemt no tā regulējošos instrumentus vai skrūvjatslēgas.** Patronatslēga vai skrūvjatslēga, kas instrumenta ieslēgšanas brīdī nav izņemta no tā, var radīt savainojumu.
 - e) **Strādājot ar elektroinstrumentu, ieturiet stingru stāju. Darba laikā vienmēr saglabājiet līdzsvaru un centieties nepaslīdēt.** Tas atvieglos instrumenta vadību neparedzētās situācijās.
 - f) **Izvēlieties darbam piemērotu apģērbu. Darba laikā nenēsājiet brīvi plandošas drēbes un rotaslietas. Netuviniet garus matus un drēbes elektroinstrumenta kustīgajām daļām.** Vaļīgas drēbes, rotaslietas un gari mati var iekļerties instrumenta kustīgajās daļās.
 - g) **Ja elektroinstrumenta konstrukcija ļauj tam pievienot ārējo putekļu uzsūkšanas vai savākšanas/uzkrāšanas ierīci, sekojiēt, lai tā tiktu pievienota elektroinstrumentam un pareizi darbotos.** Pielietojot putekļu uzsūkšanu vai savākšanu/uzkrāšanu, samazinās to kaitīgā ietekme uz strādājošās personas veselību.
 - h) **Nepaļaujieties uz iemaņām, kas tiek iegūtas, bieži lietojot instrumentus, neieslīgstiet pašapmierinātībā un neignorējiet instrumenta drošas lietošanas principus.** Neuzmanīgas rīcības dēļ dažās sekundēs daļas var gūt nopietnu savainojumu.
- #### **4) ELEKTROINSTRUMENTU LIETOŠANA UN APKOPE**
- a) **Nepārslogojiet elektroinstrumentu. Katram darbam izvēlieties piemērotu instrumentu.** Elektroinstruments darbosies labāk un drošāk pie nominālās slodzes.
 - b) **Nelietojiet elektroinstrumentu, ja ir bojāts tā ieslēdzējs.** Elektroinstruments, ko nevar ieslēgt un izslēgt, ir bīstams lietošanai un to nepieciešams remontēt.
 - c) **Pirms elektroinstrumenta apkopes, regulēšanas vai darbinstrumenta nomaiņas atvienojiet tā kontaktdakšu no barojošā elektrotīkla vai izņemiet no tā akumulatoru, ja tas ir izņemams.** Šādi iespējams samazināt elektroinstrumenta nejaušas ieslēgšanās risku.
 - d) **Elektroinstrumentu, kas netiek darbināts, uzglabājiet piemērotā vietā, kur tas nav sasniedzams bērniem un personām, kuras neprot rīkoties ar instrumentu.** Ja elektroinstrumentu lieto

nekompetentas personas, tas var apdraudēt cilvēku veselību.

- f) **Savlaicīgi apkalpoiet elektroinstrumentus un to piederumus.** Pārbaudiet, vai kustīgās daļas darbojas bez traucējumiem un nav iespiētas, vai kāda no daļām nav salauzta vai bojāta, vai katra no tām pareizi funkcionē un pilda tai paredzēto uzdevumu. Nodrošiniet, lai bojātās daļas tiktu savlaicīgi nomainītas vai remontētas pilnvarotā remontu darbnīcā. Daudzi nelaimes gadījumi notiek tāpēc, ka elektroinstrumenti pirms lietošanas nav pienācīgi apkalpoti.
- g) **Savlaicīgi notīriet un uzasiniet griezošos darbinstrumentus.** Rūpīgi kopti instrumenti, kas apgādāti ar asiem griezējumiem, ļauj strādāt daudz ražīgāk un ir vieglāk vadāmi.
- h) **Lietojiet vienīgi tādus elektroinstrumentus, papildpiederumus, darbinstrumentus utt., kas paredzēti attiecīgajam pielietojuma veidam. Bez tam jāņem vērā arī konkrētie darba apstākļi un pielietojuma īpatnības.** Elektroinstrumentu lietošana citiem mērķiem, nekā to ir paredzējusi ražotājs, ir bīstama un var novest pie neparedzamām sekām.
- i) **Uzturiet elektroinstrumenta rokturus un noturvirsmas sausas un tīras, sargājiet tās no eļļas un smērvielām.** Slideni rokturi un noturvirsmas traucē efektīvi rīkoties ar elektroinstrumentu un to droši vadīt neparedzētās situācijās.

5) APKALPOŠANA

- a) **Nodrošiniet, lai Instrumenta remontu veiktu kvalificēts personāls, nomaīnai izmantojot oriģinālās rezerves daļas un piederumus.** Tikai tā iespējams panākt instrumenta ilgstošu un nevainojamu darbību bez atteikumiem.

DARBA DROŠĪBAS NOTEIKUMI FIGŪRZĀĢIEM

VISPĀRĒJA INFORMĀCIJA

- Vienmēr pārliecinieties, ka spriegums, kas uzrādīts uz instrumenta marķējuma plāksnītes, atbilst padeves spriegumam elektrotīklā (230V vai 240V spriegumam paredzētie instrumenti var darboties arī no 220V elektrotīkla)
- Ik reizi pirms instrumenta izmantošanas pārbaudiet tā darbību un, konstatējot bojājumu, nekavējoties nododiet to kvalificētam speciālistam remonta veikšanai; neatveriet instrumenta korpusu paša spēkiem
- **Neapstrādājiet materiālus, kas satur azbestu** (azbestam piemīt kancerogēnas īpašības)
- Šo instrumentu nedrīkst izmantot personas, kas jaunākas par 16 gadiem
- Darba laikā instrumenta radītā trokšņa līmenis var pārsniegt 85 dB(A); lietojiet ausu aizsargus
- Ja materiāla apstrādes gaitā veidojas skaidas, uzvelciet aizsargbrilles
- Materiāla (piemēram, svina saturošas krāsas, dažu koka šķirņu, minerālu un metāla) putekļi var būt kaitīgi (saskare ar putekļiem vai to ieelpošana var izraisīt alerģiskas reakcijas un/vai elpošanas ceļu saslimšanas operatoram vai klātesošajiem); **izmantojiet putekļu masku un putekļsūcēju, ja to iespējams pievienot**
- Dažu veidu putekļi ir klasificēti kā kancerogēni (piemēram, ozola vai dižskābarža putekļi), jo īpaši

apvienojumā ar koksnes kondicionēšanas piedevām; **izmantojiet putekļu masku un putekļsūcēju, ja to iespējams pievienot**

- Ievērojiet ar putekļu savākšanu saistītos nacionālos noteikumus, kas attiecas uz apstrādājamajiem materiāliem
 - Lietojiet pilnīgi attīstus un drošus pagarinātājkabeļus, kas paredzēti 16 A strāvai
 - **Pirms instrumenta regulēšanas vai piederumu nomaīnas atvienojiet to no barojošā elektrotīkla**
- ### PIRMS DARBA UZSĀKŠANAS
- Pirms zāģēšanas nodrošiniet, lai zāģējuma trase no abām zāģējamā priekšmeta pusēm tiktu atbrīvota no jebkāda veida šķēršļiem
 - Izvairieties no instrumenta bojājumiem, ko var radīt apstrādājamajā priekšmetā esošās skrūves, naglas vai citi līdzīgi objekti; pirms darba uzsākšanas atbrīvojiet apstrādājamo materiālu no šādiem priekšmetiem
 - **Izmantojiet skavas vai citā drošā veidā nostipriniet un atbalstiet detaļu uz stabilas virsmas** (turot detaļu rokās vai pie ķermeņa, tā var būt nestabila, un jūs varat zaudēt kontroli)

DARBA LAIKĀ

- **Veicot darbu, kura laikā darbinstruments var skart slēptus elektriskos vadus vai paša instrumenta elektrokabeļus, turiet instrumentu tikai aiz izolētajām virsmām** (darbinstrumentam skarot spriegumnesošu vadu, spriegums nonāk arī uz instrumenta metāla daļām un var būt par cēloni elektriskajam triecienam)
 - **Laikā, kad elektrotīklam pievienotais instruments nedarbojas, tā rokturis silst; tas ir normāli un neliecina par bojājumu**
 - Darba laikā sekojiet, lai elektrokabeļi atrastos drošā attālumā no instrumenta kustīgajām daļām un stieptos prom no darba vietas virzienā uz aizmuguri
 - Ja darba laikā tiek pārgriezts vai citādi mehāniski bojāts instrumenta elektrokabeļis, nepieskarieties tam, bet nekavējoties atvienojiet elektrokabeļa kontaktdakšu no barojošā elektrotīkla
 - Neizmantojiet instrumentu, ja tam ir bojāts elektrokabeļis; tā nomaīnu drīkst veikt tikai pieredzējis speciālists
 - Elektriska vai mehāniska rakstura kļūmes gadījumā nekavējoties izslēdziet instrumentu un atvienojiet kabeļa kontaktdakšu no elektrotīkla
 - Darba laikā netuviniet rokas figūrzāģa asmenim
- ### PAPILDPIEDERUMI
- Firma SKIL garantē instrumenta nevainojamu darbību tikai tad, ja tiek lietoti oriģinālie papildpiederumi
 - Neizmantojiet ieplaisājušus, deformētus vai neasus zāģa asmeņus

STRĀDĀJOT ĀRPUS TĒLPĀM

- Ja instrumentu tiek izmantots ārpus telpām, pievienojiet to elektriskajam spriegumam izmantojot noplūdes strāvas releju - pārtraucēju, kas nostrādā, ja strāva instrumenta aizsargzēmējuma ķēdē pārsniedz 30 mA; ārpus telpām izmantojiet tikai šādi lietošanai paredzētus elektrotīkla pagarinātājkabeļus, kuri ir apgādāti ar ugunsdrošu kontakligzdu

PĒC DARBA PABEIGŠANAS

- Pirms instrumenta novietošanas izslēdziet tā elektrodzinēju un nogaidiet, līdz ir pilnīgi apstājušās visas instrumenta kustīgās daļas

LĀZERA IZSTAROJUMS

- Nevērsiet lāzera staru uz cilvēkiem vai dzīvniekiem
- Neskatieties lāzera starā (lāzera izstarojums)
- Nelietojiet nekādus palielinošos optiskos instrumentus (piemēram, palielinošos stiklus, teleskopus vai binokļus), lai vērotu lāzera staru
- Nedarbiniet instrumentu, ja darba vietas tuvumā atrodas viegli degoši šķidrumi, gāzes vai putekļi
- Nedarbiniet instrumentu, ja tuvumā atrodas bērni

UZ INSTRUMENTA ATTĒLOTO SIMBOLU

SKAIDROJUMS

- ③ Pirms izstrādājuma lietošanas izlasiet tā lietošanas pamācību
- ④ Divkārsa izolācija (nav jālieto zemējuma vads)
- ⑤ Neizmetiet nolietoto instrumentu sadzīves atkritumu tvērtē
- ⑥ Lāzera starojums / Neskatieties lāzera starā / 2. Klases lāzera izstrādājums

DARBS

- Ieslēgšana/izslēgšana ⑦
- Darbvārpstas griešanās ātruma bezpakāpju regulēšana ⑧
- Instrumenta ieslēgšana ilgstošai darbībai, fikšējot tā ieslēdzēju ⑨
- Zāga asmeņu nomaiņa ⑩
 - ! **ielieciet asmeni līdz galam ar zobiem uz priekšu ⑪**
 - ! **lietojiet tikai zāga asmeņus ar T-veida kātu**
- Zāgējumu veidošana 15°/30°/45° leņķī ⑫
- Maksimālā darbības ātruma iestādīšana atbilstoši apstrādājamā materiāla īpašībām ⑬
 - ! **ja figūrīgais nedarbojas pie iestādītā ātruma, kas atbilst rītenīša D stāvoklim 1, iestādiet maksimālo darbības ātrumu un darba gaitā pakāpeniski to samaziniet**
- Putekļu uzsūkšana ⑭
 - pievienojiet putekļsūcēju instrumenta savienotajam E
 - ! **neizmantojiet putekļsūcēju, apstrādājot metālu**
- Zāgēšanas režīma izvēle ⑮
 - Izmantojiet sviru F ② lai regulētu figūrīgā darbības ātrumu diapazonā no neliela ātruma (= 0), kas paredzēts precīzai zāgēšanai, līdz lielākam (= III), kas paredzēts ātrai zāgēšanai
 - 1 zāgēšanas režīms ("0") paredzēts precīzai zāgēšanai, veidojot taisnus un lokveida zāgējumus visu veidu materiālos
 - 3 zāgēšanas režīma iestādījumi paredzēti ātrai zāgēšanai, veidojot taisnus zāgējumus šādos materiālos
 - I = metālam
 - II = plastmasai
 - III = cietai koksnei
 - ! **ja tiek apstrādāts materiāls, kam raksturīga daļiņu atšķelšanās, izvēlieties zāgēšanas režīmu "0"**
- Lāzera līnija ⑯
 - kalpo, lai atvieglotu instrumenta vadīšanu pa iepriekš iezīmētu zāgējuma līniju
 - ieslēdziet/izslēdziet lāzera līniju nospiežot slēdzi G
 - pirms darba uzsākšanas pārbaudiet lāzera līnijas atbilstību reālajai zāgējuma līnijai, veicot izmēģinājuma zāgējumus ar atgriezumam
 - ! **neļaujiet lāzera stara veidot līniju regulēt ar skrūvi X, jo tā jau ir ieregulēta ražotājrūpnīcā**
 - ! **nenovietojiet instrumentu uz neapstrādātām virsmām ②**

- Instrumenta darbināšana
 - pirms instrumenta ieslēgšanas, novietojiet tā pamatnes priekšējo daļu uz apstrādājamā priekšmeta
 - lai instrumentu varētu droši vadīt, turiet to stingri ar abām rokām
 - ! **darba laikā vienmēr turiet instrumentu aiz pelēkās krāsas noturvirsmas(ām) ⑰**
 - nodrošiniet, lai instrumenta pamatne darba laikā pilnībā balstītos uz apstrādājamā priekšmeta
 - ! **pirms instrumenta pacelšanas no zāgējamā priekšmeta nogaidiet, līdz tā asmens pilnīgi apstājas**
 - nenosprostojiet instrumenta ventilācijas atveres H ②

PRAKTISKI PADOMI

- Lietojiet apstrādājamā materiāla īpašībām piemērotus zāga asmeņus ⑱
 - ! **lietojiet tikai zāga asmeņus ar T-veida kātu**
- Zāgējot metālu, periodiski ieeļļojiet zāga asmeni
- Paralēlo zāgējumu veikšanai izmantojiet paralēlo vadotni J ⑲
- Lai precīzi veiktu taisnu zāgējumu, virziet figūrīgā pamatni gar taisnas koka līstes malu ⑳
- Lai veiktu izzāgēšanu, izveidojiet apstrādājamajā priekšmetā priekšurbumu ㉑
- Zāgēšana bez apstrādājamā materiāla daļiņu atšķelšanās
 - pirms zāgēšanas pārklājiet zāgējuma līniju ar vairākiem slāņiem platas līmlentes
 - novietojiet apstrādājamo priekšmetu tā, lai zāgēšanas laikā dekoratīvā puse būtu vērsa lejup
- Papildu ieteikumi ir sniegti datortīkla vietnē www.skil.com

APKALPOŠANA / APKOPE

- Šis darbarīks nav paredzēts profesionālai lietošanai
- Uzturiet tīru instrumentu un elektrokabeli (īpaši ventilācijas atveres H ②)
 - ! **pirms instrumenta tīrīšanas atvienojiet to no elektrotīkla**
- Ja, neraugoties uz augsto izgatavošanas kvalitāti un rūpīgu pērcāžošanas pārbaudi, instruments tomēr sabojājas, tas jānogādā remontam firmas SKIL pilnvarotā elektroinstrumentu remonta darbnīcā
 - nogādājiet instrumentu **neizjauktā veidā** kopā ar iegādes dokumentiem tuvākajā tirdzniecības vietā vai firmas SKIL pilnvarotā pēciegādes apkalpošanas un remonta iestādē (adreses un instrumenta apkalpošanas shēma ir sniegta interneta vietnē www.skil.com)

APKĀRTĒJĀS VIDES AIZSARDZĪBA

- Neizmetiet elektroiekārtas, piederumus un iesaiņojuma materiālus sadzīves atkritumos (tikai ES valstīm)
 - saskaņā ar Eiropas Savienības direktīvu 2012/19/ES par nolietotajiem elektriskajām un elektroniskajām iekārtām un tās atspoguļojumiem nacionālajā iekārmošanā, nolietotās elektroiekārtas ir jāsavāc, jāizjauca un jānogādā atsevišķai pārstrādei apkārtējai videi nekaitīgā veidā

- Tpašs simbols ⑤ atgādina par nepieciešamību izstrādājumus utilizēt videi nekaitīgā veidā

TROKSNIS / VIBRĀCIJA

- Saskaņā ar standartu EN 62841 noteiktais instrumenta radītā trokšņa skaņas spiediena līmenis ir 88 dB(A) un skaņas jaudas līmenis ir 99 dB(A) (pie tipiskās izkliedes 3 dB), un vibrācijas paātrinājums ir * m/s^2 (vektoru summa trijos virzienos; izkliede $K = 1,5 m/s^2$)
 - * zāgējot kokā $6,7 m/s^2$
 - * zāgējot metālu $11,4 m/s^2$
- Vibrācijas līmenis ir noteikts, izmantojot standartā EN 62841 paredzēto procedūru; to var izmantot, lai salīdzinātu instrumentus un provizoriski izvērtētu vibrācijas iedarbību, lietojot instrumentu minētajiem mērķiem
 - instrumenta izmantošana citiem mērķiem vai ar citiem vai nepietiekami koplietojamiem piederumiem var ievērojami palielināt kopējo vibrācijas iedarbības pakāpi
 - laika periodi, kad instruments ir izslēgts vai arī ir ieslēgts, taču darbs ar to nenotiek, var ievērojami samazināt kopējo vibrācijas iedarbības pakāpi
- ! **pasargājiet sevi no vibrācijas iedarbības, veicot instrumenta un tā piederumu tehnisko apkopi, novēršot roku atdzīšanu un pareizi organizējot darbu**

LT

Siaurapjūklas

1061

ĪVADAS

- Šiuo prietaisu galima atlikti pļūvius bei išpļovimus medienoje, plastmasėje, metale, keraminėse plytelėse bei gumoje; gali būti atliekami tiesūs arba figūriniai pļūviai - statmenai arba 45° kampu
- Šis įrankis neskirtas profesionaliam naudojimui
- Perskaitykite ir išsaugokite šią naudojimo instrukciją ③

TECHNINIAI DUOMENYS ①

PRIETAISO ELEMENTAI ②

- A Įspėjamasis užrašas ⑥
- B Jungiklis įjungimui/išjungimui ir greičiui valdyti
- C Jungiklio fiksatorius
- D Pjovimo judesių dažnio reguliavimo ratukas
- E Dulkių siurblio adapteris
- F Svirtis pjovimo režimui pasirinkti
- G Lazerio jungimo/išjungimo jungiklis
- H Ventiliacinės angos
- J Lygiagreti atrama
- K Pjūklėlio keitimo sistema Clic
- L Dėklas raktui

SAUGA

BENDRIEJI ELEKTRINIŲ ĮRANKIŲ SAUGOS ĮSPĖJIMAI

▶ **ĮSPĖJIMAS** Perskaitykite visus su šiuo elektriniu įrankiu pateikiamus saugos įspėjimus, instrukcijas, peržiūrėkite iliustracijas ir specifikacijas. Jei nepaisysite

visų žemiau pateiktų instrukcijų, galite patirti elektros smūgį, sukelti gaisrą ir sunkiai susižaloti arba sužaloti kitus asmenis.

Išsaugokite visus perspėjimus ir instrukcijas, kad vėliau galėtumėte pasinaudoti.

Toliau pateiktame tekste vartojama sąvoka "elektrinis įrankis" apibūdina įrankius, maitinamus iš elektros tinklo (su maitinimo laidu), ir akumulatorinius įrankius (be maitinimo laido).

1) DARBO VIETOS SAUGUMAS

- Darbo vieta turi būti švari ir tvarkinga.** Tinkama ar blogai apšviesta darbo vieta gali tapti nelaimingų atsitikimų priežastimi.
- Nedirbkite tokioje aplinkoje, kur yra degių skysčių, dujų ar dulkių.** Elektriniai įrankiai gali kibirkščiuoti, o nuo kibirkščių dulkės arba susikaupę garai gali užsidegti.
- Dirbdami su elektriniu įrankiu neleiskite šalia būti žiūrovams, vaikams ir lankytojams.** Nukreipę dėmesį į kitus asmenis galite nebesuvaldyti prietaiso.

2) ELEKTROSAUGA

- Maitinimo laido kištukas turi atitikti tinklo rozetės tipą.** Kištuko jokių būdų negalima modifikuoti. **Nenaudokite jokių kištuko adapterių su žemintais prietaisais.** Originalūs kištukai, tiksliai tinkantys elektros tinklo rozetei, sumažina elektros smūgio pavojų.
- Venkite kūno kontakto su žemintais paviršiais, tokiais kaip vamzdžiai, šildytuvai, viryklės ar šaldytuvai.** Egzistuoja padidinta elektros smūgio rizika, jei Jūsų kūnas bus žemintas.
- Saugokite prietaisą nuo lietaus ir drėgmės.** Jei vanduo patenka į elektrinį prietaisą, padidėja elektros smūgio rizika.
- Nenaudokite maitinimo laido ne pagal paskirtį, t. y. neneškite prietaiso paėmę už laido, nekabinkite prietaiso už laido, netraukite už jo, norėdami išjungti kištuką iš rozetės.** Laidą klokite taip, kad jo neveiktų karštis, jis neišsitemptų alyva ir jo nepažeistų aštrios detalės ar judančios prietaiso dalys. Pažeisti arba susipynę laidai gali tapti elektros smūgio priežastimi.
- Jei su elektriniu įrankiu dirbate lauke, naudokite tik tokius ilginimo kabelius, kurie tinka lauko darbams.** Naudojant lauko darbams pritaikytus ilginimo kabelius, sumažinamas elektros smūgio pavojus.
- Jei su elektriniu įrankiu neišvengiamai reikia dirbti drėgnoje aplinkoje, naudokite žemimo grandinės pertraukiklį.** Naudojant žemimo grandinės pertraukiklį, sumažėja elektros smūgio pavojus.

3) ŽMONIŲ SAUGA

- Būkite atidūs, sutelkite dėmesį į tai, ką Jūs darote ir, dirbdami su elektriniu įrankiu, vadovaukitės sveiku protu. Nedirbkite su prietaisu, jei esate pavargę arba vartojote narkotikus, alkoholį ar medikamentus.** Akimirksnio neatidumas naudojant prietaisą gali tapti rimtų sužalojimų priežastimi.
- Naudokite asmenines apsaugos priemones ir visuomet užsidėkite apsauginius akinius.** Naudojant asmenines apsaugos priemones, pvz., respiratorių ar apsauginę kaukę, neslystančius batus, apsauginį šalną, klausos apsaugos priemones ir kt., rekomenduojamas dirbant su tam tikros rūšies įrankiais, sumažėja rizika susižeisti.

- c) **Saugokitės, kad neįjungtumėte prietaiso atsitiktinai. Prieš prijungdami elektrinį įrankį prie elektros tinklo ir/arba akumuliatoriaus, prieš pakeldami ar nešdami įsitikinkite, kad jis yra išjungtas.** Jeigu nešdami elektrinį įrankį pirštą laikysite ant jungiklio arba prietaisą įjungsitė į elektros tinklą, kai jungiklis yra įjungtas, gali įvykti nelaimingas atsitikimas.
- d) **Prieš įjungdami prietaisą pašalinkite reguliavimo įrankius arba veržlių raktus.** Prietaiso besisukančioje dalyje esantis įrankis ar raktas gali tapti sužalojimų priežastimi.
- e) **Nepervertinkite savo galimybių. Dirbdami atsistokite patikimai ir visada išlaikykite pusiausvyrą.** Patikima stovėseną ir tinkamą kūno laikysena leis geriau kontroliuoti prietaisą netikėtose situacijose.
- f) **Dėvėkite tinkamą aprangą. Nedėvėkite plačių drabužių ir papuošalų. Saugokite plaukus ir drabužius nuo besisukančių elektrinio įrankio dalių.** Laisvus drabužius, papuošalus bei ilgus plaukus gali įtraukti besisukančios dalys.
- g) **Jei yra numatyta galimybė prijungti dulkių nusiurbimo ar surinkimo įrenginius, visada įsitikinkite, ar jie yra prijungti ir ar teisingai naudojami.** Naudojant dulkių nusiurbimo įrenginius sumažėja kenksmingas dulkių poveikis.
- h) **Dažnai naudodami įrankį ir gerai su juo susipažinę pernelyg neatsipalaiduokite ir nepradėkite nepaisyti įrankio saugos principų.** Neatidus veiksmas gali sukelti sunkią traumą per sekundės dalį.
- 4) RŪPESTINGA ELEKTRINIŲ ĮRANKIŲ PRIEŽIŪRA IR NAUDOJIMAS**
- a) **Neperkraukite prietaiso. Naudokite Jūsų darbiu tinkamą elektrinį įrankį.** Su tinkamu elektriniu įrankiu Jūs dirbsite geriau ir saugiau, jei neviršysite nurodyto galingumo.
- b) **Nenaudokite elektrinio įrankio su sugedusiu jungikliu.** Elektrinis įrankis, kurio nebegalima įjungti ar išjungti, yra pavojingas ir jį reikia remontuoti.
- c) **Prieš reguliuodami prietaisą, keisdami darbo įrankius ar prieš valydami prietaisą, iš elektros tinklo lizdo ištraukite kištuką ir/arba išimkite akumuliatorių, jeigu jis išimamas.** Ši saugumo priemonė apsaugos jus nuo netikėto prietaiso įsijungimo.
- d) **Nenaudojamą prietaisą sandėliuokite vaikams ir nemokantiems juo naudotis asmenims neprieinamoje vietoje.** Elektriniai įrankiai yra pavojingi, kai juos naudoja nepatyrę asmenys.
- e) **Pržiūrėkite elektrinį įrankį ir priedus. Tikrinkite, ar besisukančios prietaiso dalys tinkamai veikia ir niekur nekliūva, ar nėra sulūžusių ar šiaip pažeistų dalių, kurios įtakotų prietaiso veikimą.** Prieš vėl naudojant prietaisą pažeistos prietaiso dalys turi būti suremontuotos. Daugelio nelaimingų atsitikimų priežastis yra blogai prižiūrimi elektriniai įrankiai.
- f) **Pjovimo įrankiai turi būti aštrūs ir švarūs.** Rūpestingai prižiūrėti pjovimo įrankiai su aštriomis pjaujamosiomis briaunomis mažiau stringa ir juos yra lengviau valdyti.
- g) **Elektrinį įrankį, papildomą įrangą, darbo įrankius ir t. t. naudokite taip, kaip nurodyta šioje instrukcijoje. Taip pat atsižvelkite į darbo sąlygas bei atliekamo**

- darbo pobūdį.** Naudojant elektrinius įrankius ne pagal jų paskirtį galima sukelti pavojingas situacijas.
- h) **Rankenos ir suėmimo paviršiai turi būti sausi, švarūs, ant jų neturi būti alyvos ir tepalų.** Dėl slidžių rankenų ir suėmimo paviršių negalėsitė saugiai išlaikyti ir suvaldyti įrankio netikėtose situacijose.

5) APTARNAVIMAS

- a) **Prietaisą turi remontuoti tik kvalifikuotas specialistas ir naudoti tik originalias atsargines dalis.** Taip galima garantuoti, jog prietaisas išliks saugus.

DARBŲ SAUGOS NUORODOS DIRBANTIEMS SIAURAPJŪKLAIS

BENDROJI DALIS

- Visada patikrinkite, ar elektros tinklo įtampa sutampa su įtampos dydžiu, nurodytu prietaiso vardinėje lentelėje (prietaisus su nurodyta įtampa 230V ir 240V galima jungti į 220V įtampos elektros tinklą)
 - Prieš kiekvieną naudojimą patikrinkite, ar prietaisas neprikaištingai veikia; atsiradus gedimui, kreipkitės į kvalifikuotą specialistą; prietaiso niekuomet neardykite patys
 - **Draudžiama apdirbti medžiagas, kurių sudėtyje yra asbesto** (asbestas pasižymi vėžį sukeliančiu poveikiu)
 - Šį prietaisą turėtų naudoti tik asmenys, kuriems 16 ir daugiau metų
 - Darbo metu triukšmo lygis gali viršyti 85 dB(A); naudoti klausos apsaugos priemonės
 - Jeigu apdirbant medžiagas susidaro daug drožlių, dirbkite su apsauginiais akiniais
 - Kai kurių medžiagų, kaip antai dažų, kurių sudėtyje yra švino, kai kurių medžių rūšių medienos, mineralų ir metalo dulksės gali būti kenksmingos (kontaktas su šiomis dulkėmis arba įkvėptos dulksės gali sukelti operatoriui arba šalia esantiems žmonėms alergines reakcijas ir/arba kvėpavimo sistemos susirgimus); **mūvėkite priešdulkinę puskaukę arba dirbdami naudokite dulkių ištraukimo įrenginį, jei jį galima prijungti**
 - Kai kurių rūšių dulksės priskiriamos kancerogeninėms (pvz., ažuolo arba buko medienos dulksės), ypač susimaišiusios su medienos taurinimui naudojamais priedais; **mūvėkite priešdulkinę puskaukę arba dirbdami naudokite dulkių ištraukimo įrenginį, jei jį galima prijungti**
 - Vadovaukitės Jūsų šalyje taikomų direktyvų reikalavimais, skirtais medžiagoms, su kuriomis norite dirbti
 - Naudodami ilginamuosius kabelius atkreipkite dėmesį į tai, kad kabelis būtų iki galo išvyniotas ir būtų pritaikytas 16 A elektros srovei
 - **Prieš reguliuojant prietaisą arba keičiant darbo įrankius, ištraukite kištuką iš el. tinklo lizdo**
- ### PRIEŠ EKSPLOATACIJĄ
- Prieš pradėdami pajuti pašalinkite visus pjūvio linijoje esančias kliūtis tiek ruošinio viršuje, tiek ir apačioje
 - Saugokitė, kad nepažeistumėte prietaiso į ruošinyje esančius varžtus, vinis ir pan; prieš pradėdami darbą juos pašalinkite
 - Dirbinį prie stabilaus pagrindo pritvirtinkite spaustuvais ar kitomis tinkamomis priemonėmis (rankoje laikomas ar į kūną atremtas dirbinys yra nestabilus ir galite nesuvaldyti jo arba įrankio)

EKSPLOATACIJA

- Jei atliekate darbus, kurių metu darbo įrankis gali kliudyti paslėptus elektros laidus arba paties elektrinio įrankio maitinimo laidą, tai elektrinį įrankį laikykite už izoliuotų rankenų (palietus laidą, kuriuo teka elektros srovė, metalinėse elektrinio įrankio dalyse gali atsirasti įtampa ir trenkti elektros smūgis)
- Kai įrankis yra įjungtas į elektros lizdą, bet nenaudojamas, jo rankena gali įšilti; tai yra normalus reiškinys, nesusijęs su kokiu nors prietaiso gedimu
- Pasirūpinkite, kad maitinimo kabelis nebūtų arti besisukančių prietaiso dalių; klokite jį kuo toliau už prietaiso
- Jei dirbant bus pažeistas ar nutrauktas kabelis, būtina neliečiant kabelio tuoju pat ištraukti kištuką iš elektros tinklo lizdo
- Prietaisą su pažeistu kabeliu naudoti draudžiama; jį turi pakeisti kvalifikuotas elektrikas
- Atsiradus mechaninio ar elektrinio pobūdžio trukdžiams, tuoju pat išjunkite prietaisą ir ištraukite kištuką iš elektros tinklo lizdo
- Nekiškite rankų prie pjūklelio, kuomet prietaisas yra įjungtas

PAPILDOMA ĮRANGA

- SKIL gali garantuoti nepriekaištingą prietaiso veikimą tik tuo atveju, jei naudojama originali papildoma įranga ir priedai
- Nenaudokite įtrūkusių, sulenktų ar atšipusių pjūklelių

EKSPLOATACIJA LAUKE

- Prietaisai, su kuriais dirbama lauke, turi būti prijungiami per nuotėkio srovės apsauginį išjungiklį (FI-), kurio suveikimo srovė yra ne didesnė kaip 30 mA; naudokite tik lauko darbams skirtus prailginimo kabelius su hermetiškomis jungtimis

PO EKSPLOATACIJOS

- Prieš padėdami prietaisą jį išjunkite ir palaukite, kol visos besisukančios jo dalys visiškai sustos

LAZERIO RADIACIJA

- Nenukreipkite lazerio spindulio į kitus asmenis ar gyvūnus
- Nežiūrėkite į lazerio spindulį (lazerio radiacija)
- Nežiūrėkite į lazerio spindulį per kokius nors vaizdą padidinančius optinius įtaisus (pvz., didinamąjį stiklą, teleskopą ar žiūronus)
- Nenaudokite prietaiso tokioje aplinkoje, kur yra degių skysčių, dujų ar dulkių
- Nenaudokite prietaiso, jei netoliese yra vaiku

ANT PRIETAISO ESANČIŲ SIMBOLIŲ REIKSMĖS

- ③ Prieš naudodami įrankį perskaitykite instrukcijų vadovą
- ④ Dviguba izoliacija (išžeminimo laido nereikia)
- ⑤ Nemeskite prietaisą į buitinių atliekų konteinerius
- ⑥ Lazerio spinduliavimas / Nežiūrėkite į spindulį / 2 Klasės lazerio gaminy

NAUDOJIMAS

- Įjungimas/išjungimas ⑦
- Greičio reguliavimas, švelniai pradėdant gręžimą ⑧
- Jungiklio fiksavimas ilgalaikiam darbui ⑨
- Pjūklelio įdėjimas bei keitimas ⑩
- ! pjūklelį įstatykite iki galo, danteliais į priekį ⑪
- ! naudokite tik pjūklelius su T formos kotu

- Pjovimas pavertus pjūklelį 15°/30°/45° kampu ⑫
- Pjūklelio judėjimo greičio reguliavimas pagal pjaunamą medžiagą ⑬
- ! jei regulatoriaus ratukas D nėra padėtyje 1, pasirinkite didesnį pjovimo judesių dažnį ir po to, prietaisui veikiant, sumažinkite jį iki reikiamo dažnio
- Dulkių nusiurbimas ⑭
 - užmaukite nusiurbimo žarną ant adapterio E
 - ! nenaudokite dulkių nusiurbimo pjaudami metalą
- Pjūklo režimo pasirinkimas ⑮
- Svirtele F ⑯ pasirinkite norimą švytuoklinio judesio amplitudę (nuo padėties "0", skirtos tiksliais pjūviams, iki padėties "III", skirtos pjauti greitai)
 - 1 padėtis ("0") skirta tiksliai pjauti visas medžiagas, atliekant tiesius ir figūrinius pjūvius
 - 3 padėtis-greitiems pjūviams skirtingose medžiagose, pjaunant tik tiesias linijas
 - I = metalui
 - II = plastmasei
 - III = kietai medienai
- ! pjaunant greitai skylančias medžiagas, reikia rinktis padėtį "0"
- Lazerio spinduliai ⑰
 - padeda tiksliai vesti prietaisą pagal ant roošinio užbrėžtą liniją
 - lazerio spindulius įjungiamas/išjungiamas perstumiant jungiklį G
 - prieš pradėdami darbą, patikrinkite, ar lazerio spinduliai sureguliuoti pagal tikrąją pjūvio liniją, atlikdami roošinio dalies bandomąjį pjūvį
 - ! nebandykite reguliuoti lazerio spindulio sraigto X, kuris buvo nustatytas gamykloje
 - ! nenuimkite arba nesugadinkite įspėjamojo užrašo A ⑱
- Prietaiso naudojimas
 - prieš įjungiant prietaisą atraminė plokštė priekine dalimi turi būti uždėta ant roošinio
 - prietaisą visuomet laikykite abiem rankomis, kad dirbdami galėtumėte jį kontroliuoti
 - ! dirbdami laikykite prietaisą už pilkos spalvos suėmimo vietos(-ų) ⑲
 - prieš pradėdami, kad atraminė plokštė pjovimo metu yra visu paviršiumi priglundusi prie roošinio
 - ! prieš atitraukdami prietaisą nuo roošinio įsitikinkite, kad pjūklo diskas visiškai sustojęs
 - ventiliacinės angas H ⑳ laikykite neuždengtą

NAUDOJIMO PATARIMAI

- Naudokite tinkamus pjūklelius ⑳
- ! naudokite tik pjūklelius su T formos kotu
- Pjaudami metalą periodiškai sustokite pjūklelį alyva
- Norėdami išpjauti lygiagrečias juostas, naudokite lygiagrečią atramą J ⑲
- Norėdami lygiai išpjauti tiesią liniją, kaip liniuotę galite panaudoti tiesią medinę juostelę, prie kurios priglaudę atraminės plokštės kraštą, veskite prietaisą pjūvio linijos kryptimi ㉑
- Norėdami padaryti išpjovą viduryje roošinio, prieš tai išgręžkite jame skylę ㉒

- Пјовимас бе атплаишų
- приеш пјаудами пјјувіо линијą узклјиуоките келиаис слуоксниаис липниос јуостос
- апверските руошњиј гераја пусе ј апаџиа
- Даугиау патаримų расите интернете www.skil.com

PRIEŽIŪRA / SERVISAS

- Šis įrankis neskirtas profesionaliam naudojimui
- Periodiškai valykite prietaisą ir kabelį (ypač ventiliacines angas H ②)
- ! **prieš valydami ištraukite kištuką iš elektros tinklo lizdo**
- Jeigu prietaisas, nepaisant gamykloje atliekamo kruopštaus gamybos ir kontrolės proceso, vis dėlto sugestų, jo remontas turi būti atliekamas įgaliotose SKIL elektrinių įrankių remonto dirbtuvėse
- **neišardyta** prietaisą kartu su pirkimo čekiu siųskite tiekėjui arba į artimiausią SKIL firmos įgaliotą elektros prietaisų techninio aptarnavimo tarnybą (adresus bei atsarginių dalių brėžinius rasite www.skil.com)

APLINKOSAUGA

- **Nemeskite elektrinių įrankių, papildomos įrangos ir pakuočių į buitinių atliekų konteinerius** (galioja tik ES valstybėms)
- pagal ES Direktyvą 2012/19/EG dėl naudotų elektrinių ir elektroninių prietaisų atliekų utilizavimo ir pagal vietinius valstybės įstatymus atitarnavę elektriniai įrankiai turi būti surenkami atskirai ir gabunami į antrinių žaliavų tvarkymo vietas, kur jie turi būti sunaikinami ar perdirbami aplinkai nekenksmingu būdu
- apie tai primins simbolis ⑤, kai reikės išmesti atitarnavusį prietaisą

TRIUKŠMINGUMAS / VIBRACIJA

- Šio prietaiso triukšmingumas buvo išmatuotas pagal EN 62841 reikalavimus; keliamo triukšmo garso slėgio lygis siekia 88 dB(A) ir akustinio galingumo lygis 99 dB(A) (standartinis nuokrypis: 3 dB), ir vibracijos * m/s² (trijų krypčių atstojamasis vektorius; paklaida K = 1,5 m/s²)
- * pјаудами медžia 6,7 m/s²
- * pјаудами металą 11,4 m/s²
- Vibracijos sklaidos lygis išmatuotas pagal standarte EN 62841 išdėstytus standartizuoto bandymo reikalavimus; ši vertė gali būti naudojama vienam įrankiui palyginti su kitu bei išankstiniams vibracijos poveikiui įvertinti, kai įrankis naudojamas paminėtais būdais
- naudojant įrankį kitokiais būdais arba su kitokiais bei netinkamai prižiūrimais priedais, gali žymiai **padidėti** poveikio lygis
- laikotarpiams, kai įrankis išjungtas arba yra įjungtas, tačiau juo nedirbama, gali žymiai **sumažėti** poveikio lygis
- ! **apsisaugokite nuo vibracijos poveikio** **prižiūrėdami įrankį ir jo priedus, laikydami rankas šiltai ir derindami darbo ciklus su pertraukėlėmis**

МК

Уводна пила

1061

УПАТСТВО

- Овој алат е наменет за пресекување и отсекување на дрво, пластика, метал, керамички плочки и гума; се користи за право сечење и сечење под агол до 45 степени
- Овој алат не е наменет за професионална употреба
- Внимателно прочитајте го и зачувајте го ова упатство за ракување ③

ТЕХНИЧКИ ПОДАТОЦИ ①

ЕЛЕМЕНТИ НА АЛАТОТ ②

- A Етикета за предупредување ⑥
- B Прекинувач за вклучување/исклучување и контрола на брзината
- C Копче за блокирање на прекинувачот
- D Тркалце за регулирање на брзината на сечењето
- E Продолжение за правосмукалка
- F Рачка за бирање на режимот на сечење
- G Безбедносен ласер за вклучување/исклучување
- H Отвори за вентилација
- J Водилка
- K Систем на кликнување за менување на сечивата на пилата
- L Лежиште за клуч

БЕЗБЕДНОСТ

ОПШТИ ПРЕДУПРЕДУВАЊА ЗА БЕЗБЕДНОСТ НА ЕЛЕКТРИЧНИТЕ АЛАТИ

⚠ ПРЕДУПРЕДУВАЊЕ Прочитајте ги сите безбедносни предупредувања, илустрации и спецификации дадени со овој електричен алат. Грешките настанати како резултат на непридржување до сите инструкции дадени подолу може да предизвикаат електричен удар, пожар и/или тешки повреди.

Чувајте ги сите предупредувања и упатства за понатамошно упатување.

Поимот “електричен алат”, кој се користи во понатамошниот текст, се однесува на вашиот електричен алат (со приклучен кабел) и на електрични алати со погон на батерии (без приклучен кабел).

1) БЕЗБЕДНОСТ НА РАБОТНОТО МЕСТО

- a) **Одржувајте го вашето работно место чисто и уредно.** Неуреден или темен работен простор може да предизвикаат незгоди.
- b) **Немојте да работите со уредот во средина во која има опасност од експлозија, во која има запалливи течности, гасови и прашина.** Електричните алати произведуваат искри кои можат да запалат прашина или параа.

- c) За време на употребата на електричниот алат, децата и останатите лица држете ги подалеку од местото на работите. Одвркање, би можеле да изгубите контрола врз уредот.
- 2) ЕЛЕКТРИЧНА СИГУРНОСТ**
- a) Утинач мора да одговара на приклучокот. Никако не смее да се прават измени на штекерот. Не користете адаптерски штекер заедно со уредот кој е заштитно заземјен. Не променети штекери и соодветни приклучоци го намалуваат ризикот од електричен удар.
- b) Избегнувајте допир на телото со заземјени површини, како што се цевни, радијатори, рерни и фрижидери. Постои зголемена опасност од струен удар, доколку Вашето тело е заземјено.
- c) Чувајте го уредот подалеку од дожд и влага. Продирањето на вода во електричниот уред ја зголемува опасноста од струен удар.
- d) Не злоупотребувајте го приклучниот кабел за носење, бесење на уредот или за извлекување на штекерот од мрежниот приклучок. Чувајте го кабелот подалеку од топлина, масло, остри рабови или деловите на апаратот кои се движат. Оштетени или заплеткани кабли ја зголемуваат опасноста од струен удар.
- e) Кога го употребувате полначот надвор, користете продолжен кабел соодветен за работа на отворен простор ја намалува опасноста од струен удар.
- f) Доколку не може да се избегне работа со електричниот алат во влажна средина, користете прекинувач за струјна заштита при технички проблеми. Употребата на прекинувачот за струјна заштита при технички проблеми го намалува ризикот од електричен удар.
- 3) БЕЗБЕДНОСТ НА ЛУЃЕ**
- a) Бидете внимателни, внимавајте што правите и постапувајте внимателно додека работите со електричниот алат. Не работете со уредот доколку сте уморни или под дејство на дрога, алкохол или лекови. Еден момент на невнимание при употребата може да доведе до сериозни повреди.
- b) Носете ја личната заштитна опрема и секогаш носете заштитни очила. Носењето на личната заштитна опрема, како што е маската за прашина, безбедносната облека која не се лигза, заштитен шлем или штитник за слух, зависно од видот и примената на електричниот алат, ја намалува опасноста од повреда.
- c) Избегнувајте невнимателно вклучување за време на работата. Осигурајте се прекинувачот да биде во "OFF" позиција пред да го ставите штекерот во приклучокот. Доколку го носите електричниот алат со прстот на прекинувачот или го приклучувате апаратот кој е приклучен со напојување на струја, може да предизвикате незгоди.
- d) Пред вклучување на уредот, тргнете ги алатите за подесување или клучот за навртување. Алатот или клучот кој се наоѓа во вртливиот дел на уредот, може да предизвика незгода.
- e) Не ги преценувајте своите способности. Завземете сигурен и стабилен став и во секој момент одржувајте рамнотежа. На тој начин можете подобро да го контролирате уредот во неочекувани ситуации.
- f) Носете соодветна облека. Не носете широка облека или нанит. Косата и алиштата треба да бидат подалеку од подвижните делови. Широката облека, накитот или долгата коса може да се закачат за подвижните делови.
- g) Доколку може да се монтираат направи за вшмукување и фаќање прашина, проверете дали се вклучени и дали можат исправно да се користат. Примената на овие направи ја намалува опасноста од прашината.
- h) Не дозволувајте искуството стекнато со честа употреба на алатите да ве направи спокојни и да ги игнорирате безбедносните принципи при неговото користење. Невнимателно движење може да предизвика сериозни повреди во дел од секунда.
- 4) ВНИМАТЕЛНА УПОТРЕБА И РАКУВАЊЕ СО ЕЛЕКТРИЧНИТЕ АЛАТИ**
- a) Не го преоптеретувајте уредот. При вашата работа користете го предвидениот електричен алат за таа употреба. Со соодветниот електричен алат ќе работите подобро и посигурно во наведената функционална област.
- b) Не користете електричен алат чиј прекинувач е неисправен. Електричниот алат кој повеќе не може да се вклучува и исклучува е опасен и мора да се поправи.
- c) Исклучете го електричниот алат од струја и/или извадете го комплетот со батерии, ако се одделува, пред да правите некакви прилагодувања, менувате дополнителна опрема или да го складирате електричниот алат. Со овие мерки на внимателност ќе се избегне невнимателното вклучување на уредот.
- d) Тргнете го електричниот алат кој не го користите од допирот на децата. Не допуштајте работа со уредот на лица кои не се запознаени со него или кои го немаат прочитано ова упатство. Електричните алати се опасни доколку со нив работат неискусни лица.
- e) Одржувајте го електричниот алат и дополнителната опрема. Имајте контрола околу тоа дали движечките делови на уредот работат беспрекорно и дали не се заглавени, дали деловите се скршени или оштетени до таа мерка што не може да се обезбеди функционирање на уредот. Пред примената, овие оштетени делови треба да се поправат. Причина за многу незгоди е лошо одржувањето електричен алат.
- f) Алатите за сечење одржувајте ги остри и чисти. Внимателно одржуваните алати за сечење со остри отчрци помалку ќе се заглавуваат и со нив работата ќе биде полесна.
- g) Електричниот алат, прибор, работни алати итн., треба да ги користите според овие упатства, и на начин кој е опишан за соодветниот тип на уред. При тоа, земете ги предвид работните услови и

работата која се извршува. Употребата на електричните алати за други цели кои не се предвидени, може да предизвика опасни ситуации.

- h) **Рачките и површините за држење одржувајте ги суви, чисти и неизмастени.** Рачките и површините за држење што се лизгаат не овозможуваат безбедно ракување и контрола на алатот во неочекувани ситуации.

5) СЕРВИСИРАЊЕ

- a) **Електричниот алат сервисирајте го кај квалификувано лице кое користи само идентични резервни делови.** Со ова се обезбедува безбедно одржување на електричниот алат.

УПАТСТВО ЗА БЕЗБЕДНА РАБОТА СО УБОДНАТА ПИЛА

ОПШТИ

- Секогаш проверувајте напонот да е ист со оној кој е назначен на плочката на алатот (алатите за напон од 230V или 240V исто така може да се поврзат и на напон од 220V)
- Проверувајте ја функционалноста на машината пред секоја употреба и во случај на дефект, повикајте квалификувано лице да ја поправи. Никогаш не отворајте ја машината сами
- **Не обработувајте никаков материјал кој содржи азбест** (азбестот важи за предизвикувач на рак)
- Овој алат не треба да го користат лица под 16 години
- Нивото на бучава додека работите може да изнесува повеќе од 85 dB(A); носете заштита за ушите
- Носете очила кога работете со материјали што создаваат стругутини
- Прашината од материјали како боја која содржи олово, некои видови дрво, минерали и метали, може да биде штетна за здравјето (контактот со прашина или нејзиното вдишување може да шредизвика алергии и/или болести на дишните органи за оној кој работи со алатот или луѓето во близина); **носете маска за прашина и работете со правосмукалки доколку можете да ги поврзете**
- Некои видови на прашина се канцерогени (како на пример прашина од даб или бука), особено заедно со адитиви за одржување на дрвото; **носете маска за прашина и работете со правосмукалки доколку можете да ги поврзете**
- Следете ги процедурите на вашата земја за прашината која се јавува како резултат од материјалите со кои работите
- Продолжениот кабел кој го користите, мора да биде сосема одмотан и безбеден, со капацитет од 16 А
- **Обезбедете се алатот да е исклучен од струја пред да вршите било какво подесување или замена на приборот**

ПРЕД УПОТРЕБА

- Пред да почнете со сечење, отстранете ги сите пречки на и под местото каде сечете
- Избегнувајте оштетувања од штрафови, шајки и други предмети во местото каде работите; тргнете ги пред да почнете со работа
- **Користете стегачи или друг практичен начин за да го обезбедите и потпрете парчето за работа на стабилна платформа** (парчето за работа е

нестабилно ако го држите парчето со рака или потпрено на телото со што може да ја загубите контролата)

ВО ТЕНОТ НА УПОТРЕБАТА

- **Држете го алатот за изолираните површини за зафаќање кога извршувате работа при која што дополнителната опрема за сечење може да дојде во контакт со сонриените жици или со кабелот** (ако дополнителната опрема за сечење дојдат во контакт со жица под напон може да ги електрифицираат металните делови на алатот и да предизвикаат електричен удар на операторот)
- **Кога вклучениот алат не се користи, рачката на алатот може да се загрее; ова е нормално и не претставува проблем**
- Кабелот секогаш држете го подалеку од деловите на алатот кои се движат; кабелот држете го на задната страна, на страна од алатот
- Ако кабелот се оштети или пресече за време на работата, веднаш исклучете го и не го допирајте
- Никогаш не користете алат ако кабелот е оштетен; замената на кабелот мора да ја изврши стручно лице
- Во случај да дојде до електричен или механички дефект, веднаш исклучете го алатот и исклучете го од приклучокот
- Држете ги рацете подалеку од сечивото кога работите со електричен алат

ПРИБОР

- SKIL може да признае гаранција само доколку е користен оригинален прибор
- Не користете сечиво што е напукнато, деформирано или тапо

КОРИСТЕЊЕ НА ОТВОРЕНО

- Кога го користите на отворено, поврзете го алатот преку осигурувач за струја (FI) за погрешно напојување во струја за прекинување со максимум 30 mA и користете продолжен кабел којшто е наменет за употреба на отворено и опремен со водоотпорен приклучок

ПО УПОТРЕБА

- Кога ќе ја завршите работата со алатот, исклучете го моторот и проверете дали сите подвижни делови се застанати

РАДИЈАЦИЈА НА ЛАСЕРОТ

- **Не насочувајте го ласерот кон животни**
- **Не гледајте во зракот на ласерот (радијација на ласерот)**
- Не користете оптички алати за аголемување (како што се лупа, телескоп или двоглед) за да го гледате зракот на ласерот
- Не вклучувајте го алатот во присуство на запаливи течности, гасови или прашина
- Не вклучувајте го алатот ако во близина има деца

ОБЈАСНУВАЊЕ ЗА СИМБОЛИТЕ ЗА АЛАТОТ

- 3 Пред употреба прочитајте го прирачникот за употреба
- 4 Двојна изолација (не е потребна заземна жица)
- 5 Не фрлајте го алатот заедно со другиот отпад од домаќинството
- 6 Ласерско зрачење / Не гледајте во зракот/ Ласерски производ класа 2

УПОТРЕБА

- Вклучено/Исклучено ⑦
- Закочување на прекинувачот за лесен старт ⑧
- Блокирање на прекинувачот за постојана употреба ⑨
- Промена на сечивото ⑩
- ! **уфрлете го сечивото до полна длабочина со заштитите свртени напред ⑪**
- ! **користете сечива само во форма на Т**
- Дупчење на 15 / 30 / 45 степени ⑫
- Местење на брзината на сечење во зависност од материјалот што се користи ⑬
- ! **ано алатот не работи со трнацето D во позиција 1, изберете поголема брзина на сечење и полена намалувајте ја брзината додека работи алатот**
- Вшмукување прашина ⑭
- поврзете ја правосмукалната за продолжетокот E
- ! **не користете правосмукалната кога сечете метал**
- Избор на видот на сечење ⑮
- Употребувајте го нивото F за подесување на насоката на сечење од прецизно сечење (=0) до брзо сечење (=III)
- 1 позиција ("0") за прецизно сечење на сите материјали, праволиниски и под агол
- 3 позиција за брзо сечење во различни материјали, само праволиниски 3 settings for fast cutting in different materials, straight cuts only
- I = метал
- II = пластика
- III = тврдо дрво
- ! **секогаш изберете "0" при сечење на чувствителни материјали**
- Линија на ласерот ⑯
- за водење на електричниот алат низ саканата линија означена на местото на работата
- вклучете/исклучете ја линијата на ласерот со притискање на прекинувачот G
- пред да започнете со работа, проверете го порамнување на линијата на ласерот со вистинската линија на пресекот така што ќе направите пробен засек во отпаден материјал
- ! **не обидувајте се да ја прилагодувате фабрички поставената линија на ласерот со шрафцигер X**
- ! **не вадете или не оштетувајте ја етикетата со предупредувања A ⑰**
- Работа со алатот
- пред да го вклучите моторот проверете дали предниот дел на работната плоча е поставен рамно на работното место
- цврсто држете ја машината со двете раце за да имате постојано целосна контрола врз неа
- ! **додека работите, секогаш држете го алатот за местото (местата) кое (кои) се означени со сива боја ⑱**
- уверете се дека целата површина на работната плоча лежи цврсто на работното место
- ! **пред да го подигнете електричниот алат од местото каде се работи, проверете дали е дојдено до целосен прекин на работата на сечилото**
- отворите за ладење H ⑳ држете ги отворени

СОВЕТИ ЗА ПРИМЕНА

- Користете соодветни сечила ⑲
- ! **користете само сечиво со Т дршка**
- Кога сечете метал ставете сечиво подмачкано со масло
- Користете паралелен водич J за да направите паралелни засеци ⑳
- За кое било прецизно право сечење, поставете го алатот со работната плоча потпрена на водилка (на пр. парче право дрво) ㉑
- Пред да исечете отвор направете дупка ㉒
- Сечење без поткршени рабови
 - прекријте ја линијата на сечењето со повеќеслојни или широки ленти пред да почнете со сечењето
 - лицето на материјалот е свртено надолу на работното место
- Многу други совети можете да најдете на www.skil.com

ОДРЖУВАЊЕ/СЕРВИСИРАЊЕ

- Овој алат не е наменет за професионална употреба
- Алатот и кабелот секогаш да се одржуваат чисти (особено отворите за ладење H ㉓)
- ! **пред чистење извадете го алатот од приклучокот**
- Доколку алатот и покрај внимателното работење и контрола некогаш откаже, поправката мора да ја изврши некој овластен SKIL сервис за електрични алати
 - во случај на примедба, испратете го алатот **нерасклопен**, заедно со сметкопотврдата, до вашиот продавач или најблискиот SKIL сервис (адресите се наведени на www.skil.com)

ЗАШТИТА НА ЖИВОТНАТА СРЕДИНА

- **Не се ослободувајте од електрични алати, уреди или амбалажа преку нивно фрлање во домашното губре** (само за земјите на ЕУ)
 - според Европската Директива 2012/19/ЕС за ослободување од електрична и електронска опрема и нејзина имплементација во согласност со националните закони, електричните алати кои го достигнале крајот на својот животен век мора да бидат собрани посебно и да бидат вратени во соодветен објект за рециклирање
 - симболот ㉔ ќе ве потсетува на ова кога ќе дојде време алатот да го фрлите

БУЧАВА / ВИБРАЦИИ

- Мерено во согласност со EN 62841 нивото на звучен притисок е 88 dB(A) а нивото на звучна моќност 99 dB(A) (стандардно отстапување: 3 dB), и вибрација * m/s² (векторски збир на трите показатели; несигурност K = 1.5 m/s²)
 - * кога сечете дрво 6,7 m/s²
 - * кога сечете метал 11,4 m/s²
- Нивото на емитување на вибрации кое е наведено на задниот дел на ова упатство е измерено во согласност со стандардизираниот тест даден во

EN 62841; може да се користи за да се спореди еден алат со друг, и како првична оценка за изложеноста на вибрации кога се користи алатот за споменатите примени

- користењето на алатот за разни примени, или со различни или неправилно чувани делови, може да доведе до значајно **зголемување** на нивото на изложеност
 - кога алатот е исклучен или кога алатот е вклучен но не врши некаква работа, може да дојде до значително **намалување** на нивото а изложеност
- !** **заштитете се од ефектите на вибрациите преку одржување на алатот и неговите делови, одржување на топлината во вашите раце, и организирање на вашата работа**

AL

Sharrë sege

1061

HYRJE

- Kjo pajisje është e projektuar për kryerjen e prerjeve tejpërtej dhe të çarave në dru, plastikë, metal, pllaka qeramike dhe gomë, dhe është e përshtatshme për prerje të drejta dhe me hark me kënde me kllapë 45°
- Kjo vegël nuk është e projektuar për përdorim profesional
- Lexoni dhe ruani këtë manual të përdorimit ③

TË DHËNAT TEKNIKE ①

ELEMENTET E VEGËL ②

- A Etiketa paralajmëruese ⑥
- B Çelësi për ndezje/fikje dhe kontrolli i shpejtësisë
- C Butoni për bllokimin e çelësit
- D Rrota për të rregulluar shpejtësinë e sharrës
- E Zgjatimi për fshesën me korrent
- F Leva për zgjedhjen e modalitetit të sharrimit
- G Lazeri i çelësit të ndezjes/fikjes
- H Të çarat e ajrosjes
- J Rregullatori paralel
- K Sistemi me klikim për ndërrimin e lamave të sharrës
- L Vendi i ruajtjes së çelësit

SIGURIA

PARALAJMËRIME TË PËRGJITHSHME TË SIGURISË PËR PAJISJET ELEKTRIKE

! **PARALAJMËRIM** Lexoni të gjitha paralajmërimet e sigurisë, udhëzimet, ilustrimet dhe specifikimet e paraqitura me këtë vegël pune. Mosrespektimi i të gjitha udhëzimeve të renditura më poshtë mund të rezultojnë në goditje elektrike, zjarr dhe/ose dëmtime të rënda.

Ruani të gjitha paralajmërimet dhe udhëzimet për referencë në të ardhmen.

Termi “pajisje elektrike” në paralajmërimi i referohet pajisjes elektrike që përdoret nga priza (me kablo) ose pajisjes elektrike me bateri (pa kablo).

1) SIGURIA E ZONËS SË PUNËS

- Mbajeni zonën e punës të pastër dhe të ndriçuar mirë.** Zonat e çrregullta ose të errëta janë një ftesë për aksidente.
- Mos i përdorni pajisjet elektrike në situata me mundësi shpërthimi, si në prani të lëngjeve, gazeve ose pluhurave të djegshëm.** Pajisjet elektrike shkaktojnë shkëndija që mund të ndezin pluhurat ose avujt.
- Mbajini fëmijët dhe personat e tjerë larg gjatë përdorimit të veglës së punës.** Tërheqja e vëmendjes mund të shkaktojë humbjen e kontrollit.

2) SIGURIA ELEKTRIKE

- Spinat e veglës së punës duhet të përputhen me prizën.** Mos modifikoni kurrë spinën në asnjë mënyrë. Mos përdorni asnjë spinë përshtatëse me veglat e punës me tokëzim. Spinat e pamodifikuara dhe prizat përshtatëse do të zvogëlojnë rrezikun e goditjes elektrike.
- Shmangni kontaktin trupor me sipërfaqe të tokëzuara si tuba, radiatorë, soba dhe frigoriferë.** Ka një rrezik më të madh të goditjeve elektrike nëse trupi është i tokëzuar.
- Mos ekspozoni veglat e punës në shi ose në kushte me lagështi.** Uji që hyn në veglën e punës do të rritë rrezikun e goditjes elektrike.
- Mos abuzoni me kordonin.** Mos e përdorni kurrë kordonin për transportin, tërheqjen ose heqjen e spinës së veglës së punës. Mbajeni kordonin larg nga nxehtësia, vaji, anët e mprehta ose pjesët që lëvizin. Kordonët e dëmtuar ose e bllokuar rrisin rrezikun e goditjes elektrike.
- Kur përdorni një vegël pune në mjedise të jashtme, përdorni një kordon zgjatues të përshtatshëm për përdorim në mjedise të jashtme.** Përdorimi i një kordoni të përshtatshëm për përdorime në mjedise të jashtme zvogëlon rrezikun e goditjes elektrike.
- Nëse përdorimi i veglës së punës në një vend me lagështi është i pashmangshëm, përdorni një automat qarku me shkarkesë me tokëzim.** Përdorimi i një automati me shkarkesë me tokëzim zvogëlon rrezikun e goditjes elektrike.

3) SIGURIA PERSONALE

- Qëndroni në gatishmëri, shikoni se çfarë po bëni dhe përdorni gjykimin kur përdorni një vegël pune.** Mos e përdorni një vegël pune kur jeni i lodhur ose nën ndikimin e ilaçeve, alkoolit ose mjekimit. Një moment humbje e vëmendjes gjatë përdorimit të veglave të punës mund të shkaktojë dëmtime të rënda personale.
- Përdorni pajisje personale mbrojtëse.** Mbani gjithmonë pajisje për mbrojtjen e syve. Pajisjet mbrojtëse si maska kundër pluhurit, këpucët që nuk rrëshqasin, kaskat ose pajisjet për mbrojtjen e veshëve për kushtet përkatëse do të zvogëlojnë dëmtimet personale.
- Parandaloni ndezjen e rastësishme.** Sigurohuni që çelësi është në pozicionin fikur para se të lidhni burimin e energjisë dhe/ose baterinë, para se të merrni ose të transportoni pajisjen. Transportimi i veglave të punës me gishtin në çelës ose aktivizimi i veglave të punës që kanë çelësin të ndezur është një ftesë për aksidente.

- d) **Hiqni çdo çelës ose çelës përshtatës para ndezjes së veglës së punës.** Një çelës i lënë i lidhur me një pjesë rrotulluese të veglës së punës mund të shkaktojë dëmtime personale.
- e) **Mos u zgjasni. Mbani një vendosje të mirë të këmbëve dhe një ekuilibër të mirë në çdo moment.** Kjo gjë bën të mundur një kontroll më të mirë të veglës së punës në situata të papritura.
- f) **Vishuni në mënyrën e duhur. Mos vishni veshje të gjera ose bizhuteri. Mbani flokët, veshjet dhe dorashkat larg nga pjesët lëvizëse.** Veshjet e gjera, bizhuteritë ose flokët e gjatë mund të kapen nga pjesët në lëvizje.
- g) **Nëse janë ofruar pajisje për lidhjen e pajisjeve të mbledhjes dhe nxjerrjes së pluhurave, sigurohuni që ato të jenë të lidhura dhe të përdoren si duhet.** Përdorimi i mbledhjes së pluhurave mund të zvogëlojë rreziqet në lidhje me pluhurat.
- h) **Mos lejoni që familjarizimi i fituar nga përdorimi i shpeshtë i veglave t'ju lejojë të tregoheni të vetëkënaqur dhe të shpërfillni parimet e sigurisë për pajisjet.** Një veprim i pakudësishëm mund të shkaktojë dëmtime të rënda në më pak se një sekondë.
- 4) PËRDORIMI DHE KUJDESI PËR VEGLËN E PUNËS**
- a) **Mos ushtroni forcë mbi veglën e punës.** Përdorimi i veglës e punës të duhur për përdorimin tuaj. Vegla e punës e duhur do të realizojë një punë më të mirë dhe më të sigurt dhe me shpejtësinë që ajo është e projektuar.
- b) **Mos përdorni veglën e punës nëse çelësi nuk e ndez apo e fik.** Çdo vegël pune që nuk mund të kontrollohet me anë të çelësit është e rrezikshme dhe duhet të riparohet.
- c) **Shkëputni spinën nga burimi i energjisë dhe/ose baterinë nga vegla e punës para se të bëni rregullime të tjera, të ndryshoni aksesoret ose të ruani veglat e punës.** Këto masa parandaluese të sigurisë ulin rrezikun e ndezjes aksidentale të veglës së punës.
- d) **Mbani veglat e punës larg fëmijëve dhe mos lejoni personat e pamësuar me veglën e punës ose këto udhëzime për përdorimin e pajisjes.** Veglat e punës janë të rrezikshme në duart e përdoruesve të patrajnuar.
- e) **Mirëmbani veglat e punës. Kontrolloni për mospërshtatje ose bllokim të pjesëve lëvizëse, thyerje të pjesëve dhe gjendje të tjera që mund të ndikojnë në funksionimin e veglës së punës.** Nëse dëmtohet, riparoheni veglën e punës para përdorimit. Shumë aksidente shkaktohen nga veglat e punës jo të mirëmbajtura si duhet.
- f) **Mbajini pajisjet prerëse të pastra dhe të mprehta.** Pajisjet e prerjes të mirëmbajtura dhe me anë të mprehta kanë më pak mundësi për t'u bllokuar dhe janë më të lehta për t'u kontrolluar.
- g) **Përdorni veglat e punës, aksesoret dhe puntot, etj. në përputhje me këto udhëzime, duke marrë parasysh kushtet e punës dhe punën që do të kryhet.** Përdorimi i veglave për përdorime të ndryshme nga ato të përcaktuara mund të shkaktojë rreziqe.
- h) **Mbajini dorezat dhe sipërfaqet ku mbaheni të thata, të pastra dhe pa vajra ose graso.** Dorezat dhe sipërfaqet ku mbaheni, kur janë të rrëshqitshme, nuk ju

lejojnë ta menaxhoni dhe ta kontrolloni në mënyrë të sigurt pajisjen në situata të papritura.

5) SHËRBIMI

- a) **Shërbimi i veglës së punës duhet të kryhet nga një person i kualifikuar për riparimet duke përdorur vetëm pjesë ndërrimi identike.** Kjo gjë do të sigurojë ruajtjen e sigurisë së veglave të punës.

UDHËZIMET E SIGURISË PËR SHARRAT SEGE

TË PËRGJITHSHME

- Kontrolli gjithmonë që voltazhi i energjisë të jetë i njëjtë si voltazhi që tregohet në etiketën e veglës (veglat me klasifikimin 230 V ose 240 V mund të lidhen po ashtu me një burim 220 V)
- Kontrolloni funksionimin e pajisjes para çdo përdorimi dhe, në rast defekti, riparoheni nga një person i kualifikuar; mos e hapni kurrë vetë pajisjen
- **Mos punoni me materiale që përmbajnë asbest** (asbesti konsiderohet kancerogjen)
- Kjo pajisje nuk duhet të përdoret nga personat nën moshën 16 vjeç
- Niveli i zhurmës gjatë punës mund të kalojë 85 dB(A); mbani mbrojtëse për veshët
- Mbani syze mbrojtëse kur punoni me materiale që krijojnë ashkla
- Pluhurat nga materialet si boja me plumb, disa lloje drurësh, mineralesh dhe metalesh mund të jenë të dëmshme (kontakti ose thithja e pluhurave mund të shkaktojë reagime alergjike dhe/ose sëmundje respiratore për përdoruesin ose personat përreth); **mbani një maskë për pluhurat dhe punoni me një pajisje për heqjen e pluhurave kur mund të lidhet**
- Disa lloje pluhurash skanë klasifikuar si kancerogjene (si pluhuri i lisit dhe i ahut) veçanërisht në ndërthurje me lëndët shtesë për kondicionimin e drurit; **mbani një maskë për pluhurat dhe punoni me një pajisje për heqjen e pluhurave kur mund të lidhet**
- Respekttoni kërkesat kombëtare në lidhje me pluhurat për materialet me të cilat dëshironi të punoni
- Përdorimi kordonë të papapur dhe të sigurt për zgjatime, me një kapacitet 16 amper
- **Shkëputni gjithmonë spinën nga burimi i energjisë para kryerjes së rregullimeve ose ndryshimeve të aksesoreve**

PARA PËRDORIMIT

- Hiqni të gjitha pengesat mbi si dhe poshtë në rrugën e prerjes para se të filloni prerjen
- Shmangni dëmtimet që mund të shkaktohen nga vidat, gozhdët dhe elementet e tjera në materialin e punës; hiqni ato para se të filloni punën
- **Përdorni morsa ose mënyra të tjera praktike për të siguruar dhe mbështetur materialin e punës në një platformë të qëndrueshme** (mbajtja e materialit me duar ose të mbështetur në trup bën që materiali të mbetet i paqëndrueshëm ose mund të shkaktojë humbje të kontrollit)

GJATË PËRDORIMIT

- **Mbajeni veglën e punës nga sipërfaqet e izoluarat e kapjes kur kryeni një veprim ku aksesori i prerjes mund të bjerë në kontakt me tela të fshehur ose kordoni e tij** (një aksesori i prerjes që bie në kontakt me një tel elektrik mund të bëjë që pjesët metalike të

ekspozuara të pajisjes të transmetojnë elektricitetin dhe të shkaktojnë goditjen elektrike të përdoruesit)

- **Kur pajisja e vendosur në prizë nuk është në përdorim, doreza e pajisjes mund të ngrohet; kjo është normale dhe nuk përbën një problem**
- Mbajeni gjithmonë kordonin larg nga pjesët e lëvizshme të vegëlës; drejtojeni kordonin në anën e pasme, larg nga vegla
- Nëse kordoni dëmtohet ose pritet gjatë punës, mos e prekni kordonin por hiqni menjëherë spinën
- Mos e përdorni kurrë veglën kur kordoni është i dëmtuar; zëvendësojeni nga një person i kualifikuar
- Në rast të një defekti elektrik ose mekanik, fikni menjëherë pajisjen dhe hiqni spinën
- Mbajini duart larg nga thika e sharrës kur pajisja është në përdorim

AKSESORËT

- SKIL mund të garantojë funksionimin pa probleme të veglës vetëm kur përdoren aksesoret origjinale
- Mos përdorni një thika sharre që është e krisur, e deformuar ose jo e mprehtë

PËRDORIMI NË AMBIENTE TË JASHTME

- Kur e përdorni në ambiente të jashtme, lidhni pajisjen me një automat të korrentit të defektit (FI) me rrymë aktivizuese maksimumi 30 mA, dhe përdorni vetëm një kordon zgjatues të projektuar për përdorim në ambiente të jashtme me një prizë kundër ujit

PAS PËRDORIMIT

- Kur ta largoni pajisjen, fikeni motorin dhe sigurohuni që të gjitha pjesët lëvizëse të kenë ndalur plotësisht

RREZATIMI I LAZERIT

- **Mos e drejtoni rrezen e lazerit drejt pesonave apo kafshëve**
- **Mos shikoni drejt në rrezen e lazerit (rrezatimi i lazerit)**
- Mos përdorni mjete optike për zmadhim (si lupë, teleskop ose dylbi) për të parë rrezen e lazerit
- Mos e përdorni pajisjen në praninë e lëngjeve të djegshme, gazeve ose pluhurave të tillë
- Mos e përdorni pajisjen kur ka fëmijë përreth

SHPJEGIMI I SIMBOLEVE NË VEGJËL

- ③ Lexoni manualin e udhëzimeve para përdorimit
- ④ Izolim i dyfishtë (nuk kërkohet tokëzim)
- ⑤ Mos e hidhni veglën bashkë me materialet e mbetjeve familjare
- ⑥ **Rrezatimi laser / Mos shikoni në rrezen / Klasë laser 2 produkt**

PËRDORIMI

- Ndezje/Fikje ⑦
- Kontrolli i shpejtësisë për ndezjen e butë ⑧
- Bllokimi i çelësit për përdorim në vazhdim ⑨
- Ndërrimi i thikave të sharrës ⑩
- **! futeni thikën deri në fund me dhëmbët përpara ⑪**
- **! përdorni vetëm thika T-shank (me skaj T)**
- Sharrimi në 15°/30°/45° ⑫
- Rregullimi i shpejtësisë së sharrimit për materialin e përdorur ⑬
- **! nëse pajisja nuk funksionon me rrotën D në pozicionin 1, zgjidhni një shpejtësi më të lartë për sharrën dhe uleni shpejtësinë e sharrimit kur pajisja të jetë në punë**

- Thithja e pluhurave ⑭
- lidhni fshesën me korrent në pjesën e zgjatimit E
- **! mos përdorni një fshesë më korrent kur prisni metale**
- Zgjedhja e modalitetit të sharrimit ⑮
- Përdorni levën F ⑯ për të rregulluar veprimin orbital nga prerja me saktësi (= 0) deri te prerja e shpejtë (= III)
- 1 përcaktim ("0") për prerje të sakta në të gjitha materialet, të drejta + të harkuara
- 3 përcaktime për prerje të shpejtë në materialet të ndryshme, vetëm prerje të drejta
- I = metal
- II = plastikë
- III = dru i fortë
- **! zgjidhni gjithmonë "0" kur sharroni materialet që bëjnë shumë ashkla**
- Vija e lazerit ⑰
- për drejtimin e veglës në vijën e dëshiruar të prerjes të shënuar në materialin e punës
- fikeni/ndizeni vijën e lazerit duke shtypur çelësin G
- para se të filloni një punë, kontrolloni përputhjen e vijës së lazerit me vijë aktuale të prerjes duke bërë një prerje provë në një copë material që nuk ju duhet
- **! mos u përpiqni të rregulloni vijën e lazerit me vidën X, e cila është e caktuar paraprakisht në momentin e prodhimit**
- **! mos hiqni dhe mos dëmtoni etiketën paralajmëruese A ⑱**
- Funksionimi i veglës
- para se ta ndizni pajisjen, sigurohuni që ana përpara e pllakës mbështetëse të jetë rrafsh mbi materialin e punës
- mbajeni veglën mirë me të dyja duart, në mënyrë që të keni kontroll të plotë të veglës në të gjitha momentet
- **! gjatë punës, mbajeni gjithmonë veglën në zonën(at) e dorezës me ngjyrë gri ⑲**
- sigurohuni që e gjithë sipërfaqja e pllakës mbështetëse të qëndrojë fort mbi materialin e punës
- **! sigurohuni që lama të ketë ndaluar plotësisht para se ta hiqni veglën nga materiali i punës**
- mbajini të çarat e ajrimit H ⑳ të pambuluara

KËSHILLË PËR PËRDORIMIN

- Përdorni thikat e duhura për sharrën ⑳
- **! përdorni vetëm thika T-shank (me skaj T)**
- Kur prisni metale, lubrifikojeni thikën e sharrës rregullisht me vaj
- Përdorni drejtuesin paralel J për realizimin e prerjeve paralele ㉑
- Për një prerje të drejtë me saktësi, lëvizieni pajisjen me pllakën mbështetëse përgjatë anës së një druri të drejtë ㉒
- Shpioni paraprakisht një vrimë para se të kryeni të çara ㉓
- Prerje pa ashkla
- mbulojeni vijën e prerjes me disa shtresa ngjitës të gjerë para prerjes
- vendoseni gjithmonë poshtë anën e mirë të materialit të punës
- Për më shumë këshilla, vizitoni www.skil.com

MIRËMBAJTJA / SHËRBIMI

- Kjo vegël nuk është e projektuar për përdorim profesional
- Mbajeni gjithmonë veglën dhe kordonin të pastër (veçanërisht të çarat e ajrosjes H ②)
- ! **shkëputni spinën para pastrimit**
- Nëse pajisja ka defekt pavarësisht kujdesit në prodhim dhe procedurat e provave, riparimi duhet të kryhet nga një qendër e shërbimit pas shitjes për veglat e punës të SKIL
 - dërgoni veglën **të çmontuar** së bashku me vërtetimin e blerjes të shitësi ose të qendra më e afërt e shërbimit e SKIL (adresat si dhe diagrami i shërbimit i veglës janë të paraqitura në www.skil.com)

MJEDISI

- **Mos i hidhni veglat elektrike, aksesorët dhe paketimin së bashku me materialet e mbeturinave familjare** (vetëm për vendet e BE-së)
 - në respektim të Direktivës evropiane 2012/19/EC për pajisjet elektrike dhe elektronike si mbetje dhe zbatimin e saj në përputhje me ligjet kombëtare, pajisjet elektrike që kanë arritur në fund të jetëgjatësisë së tyre duhet të mblidhen të ndara dhe të kthehen në një objekt riciklimi në përputhje me mjedisin.
 - simboli ⑤ do t'ju kujtojë për këtë gjë kur të jetë nevoja për t'i hedhur

ZHURMA / VIBRIMI

- E matur në përputhje me EN 62841, niveli i trysnisë së tingullit i kësaj pajisje është 88 dB(A) dhe niveli i fuqisë së tingullit 99 dB(A) (shmangia standarde: 3 dB) dhe vibrimi * m/s^2 (shuma vektor i tre drejtime; pasiguria K = 1,5 m/s^2)
 - * kur prisni dru 6,7 m/s^2
 - * kur prisni metal 11,4 m/s^2
- Niveli i emetimit të vibrimit është matur në përputhje me një provë të standardizuar të dhënë në EN 62841; ajo mund të përdoret për të krahasuar një vegël me një tjetër dhe si një vlerësim paraprak i ekspozimit ndaj vibrimit kur përdorni pajisjen për proceset e përmendura
 - përdorimi i pajisjes për procese të ndryshme, ose me aksesorë të ndryshëm dhe të mirëmbajtur keq, mund të **rritë** ndjeshëm nivelin e ekspozimit
 - kohët kur pajisja është e fikur dhe kur është e ndezur por jo në punë, mund të **zvogëlojnë** ndjeshëm nivelin e ekspozimit
- ! **mbroni veten nga efektet e vibrimit duke mirëmbajtur pajisjen dhe aksesorët e saj, duke i mbajtur duart e ngrohta dhe duke organizuar mënyrën tuaj të punës**

بعد از استفاده

- وقتی که کار شما با ابزار تمام شد. حتماً موتور آنرا خاموش کرده و مطمئن شوید که تمام بخشهای متحرک آن از حرکت ایستاده اند
- **پرتوی لیزر**
- **اشعه لیزر را به سمت افراد یا حیوانات نگیرید**
- **به اشعه لیزر (پرتوی لیزر) نگاه نکنید**
- برای مشاهده اشعه لیزر از هیچگونه وسیله بزرگنمایی نوری (مانند ذره بین، تلسکوپ یا دوربین دوچشمی) استفاده نکنید
- **لازمیات قابل اشتعال:** گاز یا گرد و غبار در محیط وجود دارد از ابزار استفاده نکنید
- اگر کودکان در محیط کاری حضور دارند از ابزار استفاده نکنید
- **شرح علائم و نمادهای روی ابزار**
- 1) **اشعه لیزر / نگاه نکنید پرتوی لیزر/ کلاس لیزر ۲**
- 2) **عایق دوگانه (نیازی به سیم اتصال به زمین - اirt نیست)**
- 3) **ایزار را همراه زباله های خانگی دور نیندازید**
- 4) **اشعه لیزر / نگاه نکنید پرتوی لیزر/ کلاس لیزر ۲**

استفاده

- روشن/خاموش (V)
- کنترل دور برای شروع شروع بکار ملایم (A)
- ضامن برای کار پیوسته (A)
- عوض کردن تیغه اهر (V)
- **تیغه اهر در حالتی که دندانها آن به سمت جلو باشند بطور کامل در جای خود قرار دهید (H)**
- **فقط از تیغه اهر های با ساق T شکل استفاده شود**
- **اهر کاری در ۱۰ درجه / ۱۳۰ درجه درجه (H)**
- تنظیم سرعت اهر کاری بر اساس جنس قطعه کاری (H)
- **اگر ابزار زمانی که کلید الکترونیک D در وضعیت ۱ است کار نمی کند، سرعت اهر کاری را بالاتر انتخاب کرده و سرعت اهر کاری را موقعی که ابزار در حالت کار تنظیم کم کنید**
- مکش گرد و غبار (A)
- جاروبرقی را به رابط E وصل کنید
- **هنگام بریدن فلزات نباید از جاروبرقی استفاده کنید**
- انتخاب حالت اهر کاری (H)

برای تنظیم حرکت مداری ابزار از برش دقیق (۰ =) تا برش سریع (III =) از اهر F (I) استفاده کنید

- ۱ - تنظیم (۰ =) برای برش دقیق کلیه مواد. صاف + منحنی
- ۳ - تنظیم برای برش سریع مواد مختلف. فقط برش های صاف
- I = فلز
- II = پلاستیک
- III = چوب سخت
- **در صورت برش مواد حساس به تراشه، همیشه "۰" را انتخاب کنید**
- **خطکش لیزری (H)**
- برای هدایت ابزار روی خط دلخواه علامت گذاری شده روی قطعه کاری
- با فشار دادن کلید G خطکش لیزری را روشن/خاموش کنید
- پیش از شروع کار، ابتدا روی یک تکه بردنخور برش آزمایشی بزنید تا امتداد خطکش لیزری را با خط واقعی برش مطابقت دهید
- **سعی نکنید خطکش لیزری را با پیچ X که در کارخانه پیش تنظیم شده است، تنظیم کنید**
- **برچسب هشدار را برداشته یا به آن آسیب نزنید (A)**
- کار کردن با ابزار
- پیش از روشن کردن ابزار اطمینان حاصل کنید که انتهای جلوی صفحه زیرین ابزار صاف روی قطعه کاری قرار می گیرد
- ابزار را خیلی محکم با هر دو دست بگیرید. تا در تمام اوقات روی ابزار کنترل کامل داشته باشید
- **هنگام کار باید همیشه ابزار را از دستگیره (های) خاکستری رنگ بگیرید (W)**
- اطمینان حاصل کنید که سطح کامل صفحه زیرین ابزار محکم روی قطعه کار قرار می گیرد
- **قبل از اینکه ابزار را از قطعه کاری جدا کنید، مطمئن شوید که تیغه به توقف کامل رسیده باشد**
- شیارهای تهویه H (I) را مسدود نکنید

توصیه های کاربردی

- **تیغه اهر های مناسب استفاده کنید (A)**
- **فقط از تیغه اهر های با ساق T شکل استفاده شود**
- هنگام برش فلزات، تیغه اهر را مرتباً روغن کاری کنید
- برای اجزای برش موازی (F) از حصار برش L استفاده کنید
- برای بدست آوردن برشی صاف و دقیق، صفحه زیرین ابزار را به موازات یک تکه چوب صاف هدایت کنید (A)
- پیش از برش برای بیرون آوردن یک تکه، ابتدا یک سوراخ ایجاد کنید (H)
- برش بدون تراشه
- خط برش را پیش از شروع برش با چند لایه چسب پهن بپوشانید
- همیشه طرف خوب قطعه کاری را به سمت پایین قرار دهید
- برای نکات بیشتر به www.skil.com مراجعه کنید

نگهداری / سرویس- خدمات

- این ابزار برای مصارف حرفه ای مناسب نیست
- همیشه ابزار و سیم برق را تمیز نگهدارید (بخصوص شیارهای تهویه H (I))
- **پیش از تمیز کردن سیم برق را از برق بکشید**
- اگر ابزار علیرغم خام رفت و مراقبتی که در فرایندهای تولید و تست بکار برده شده از کار افتاد، تعمیرات باید فقط در مراکز خدمات پس از فروش ابزارهای برقی SKIL انجام شود
- ابزار را بصورت باز نشده همراه با رسید خرید به فروشنده یا نزدیک ترین مرکز خدمات رسانی SKIL بفرستید (آدرسها به همراه نمودار نقشه های سرویس ابزار در www.skil.com موجود است)

محیط زیست

- **ابزارهای برقی، لوازم و متعلقات بسته بندی آنها را نباید همراه با زباله های عادی خانگی دور انداخت (فقط مخصوص کشورهای عضو اتحادیه اروپا)**
- با توجه به مصوبه اروپایی ۲۰۱۲/۱۹/EC اروپا درباره لوازم برقی و الکترونیکی مستعمل و اجزای این مصوبه مطابق با قوانین کشوری، ابزارهای برقی که به پایان عمر مفید خود رسیده اند باید جداگانه جمع آوری شده و به یک مرکز بازیافت مناسب و سازگار با محیط زیست انتقال یابند
- **نمادعلامت (H) یادآور این مسئله در هنگام دور انداختن است**

صدا / ارتعاشات

- اندازه گیری ها بر اساس استاندارد EN ۱۲۸۴۱ انجام و مشخص شد که میزان فشار صوتی این ابزار ۸۸ دسی بل و میزان توان صوتی آن ۹۹ دسی بل (با انحراف استاندارد ۳ دسی بل). میزان ارتعاشات * می باشد (جمع بردارهای سه جهت K = ۱.۵ متر/مجدور ثانیه)
- **در صورت برش چوب ۱.۷ متر/مجدور ثانیه**
- **در صورت برش فلزات ۱۱.۴ متر/مجدور ثانیه**
- میزان انتشار ارتعاشات بر اساس تست استاندارد شده ای که در EN ۱۲۸۴۱ معرفی شده است اندازه گیری گردید؛ از این آرقام می توان برای مقایسه یک ابزار با دیگری و بعنوان ارزیابی اولیه در معرض قرارگیری ارتعاشات هنگام کار با ابزار در کاربری های فوق استفاده کرد
- استفاده کردن از ابزار برای کاربردهای متفاوت، یا با لوازم و متعلقات متفاوتترقی با لوازم و متعلقاتی که بد نگهداری شده اند، می تواند میزان در معرض قرارگیری را بطور قابل ملاحظه ای افزایش دهد
- **مواقعی که ابزار خاموش است یا روشن است ولی کاری با آن انجام نمی شود، میزان در معرض قرارگیری بطور قابل توجهی کاهش می یابد**
- **اگر نگهداری مناسب از ابزار و لوازم و متعلقات آن گرم نگهداشتن دست های خود، و سازمان دهی طرح های کاری می توانند خود را در برابر اثرات ارتعاش محافظت کنید**

ب) همواره از تجهیزات ایمنی شخصی استفاده کنید. همواره از عینک ایمنی استفاده کنید. استفاده از تجهیزات ایمنی مانند ماسک ایمنی، کفش های ایمنی ضد لغزش، کلاه ایمنی و گوشی ایمنی متناسب با نوع کار یا ابزار الکتریکی. خطر مجروح شدن را تقلیل می دهد.

ت) مواظب باشید که ابزار الکتریکی بطور ناخواسته بکار نیفتد. قبل از وارد کردن دوشاخه دستگاه در پریز برق، اتصال آن به باطری برداشتن آن و یا حمل دستگاه باید دقت کنید که ابزار الکتریکی خاموش باشد. در صورتیکه هنگام حمل دستگاه انگشت شما روی دکمه قطع و وصل باشد و یا دستگاه را در حالت روشن به برق بزنید. ممکن است سوانح کاری پیش آید.

ث) قبل از روشن کردن ابزار الکتریکی، باید همه ابزار های تنظیم کننده و آچار ها را از روی دستگاه بردارید. ابزارو آچارهایی که روی بخش های چرخنده دستگاه قرار دارند، می توانند باعث ایجاد جراحات شوند.

ج) بیش از حد به آنها نزدیک نشوید. برای کار جای مطمئنی برای خود انتخاب کرده و تعادل خود را همواره حفظ کنید. به این ترتیب می توانید ابزار الکتریکی را در وضعیت های غیر منظره بهتر رخت کنترل داشته باشید.

ح) لباس مناسب بپوشید. از پوشیدن لباس های فراخ و حمل زینت آلات خود داری کنید. موها، لباس و دستکش ها را از بخش های درحال چرخش دستگاه دور نگهدارید. لباس های فراخ، موی بلند و زینت آلات ممکن است در قسمت های درحال چرخش دستگاه گیر کنند.

خ) در صورتیکه می توانید وسایل مکش گرد و غبار و یا وسیله جذب زائده را به دستگاه نصب کنید. باید مطمئن شوید که این وسایل نصب و درست استفاده می شوند. استفاده از وسایل مکش گرد و غبار مصونیت شما را در برابر گرد و غبار زیاد تر می کند.

د) اجازه ندهید آشنایی و تسلط حاصل از استفاده مکرر از ابزارها باعث شود احساس نیاز به رعایت قواعد تکرده و به قوانین ایمنی ابزار بی توجهی کنید یک عمل از روی بی دقتی می تواند در کسری از ثانیه موجب جراحات شدید شود

۴) استفاده صحیح از ابزار الکتریکی و مراقبت از آن

ا) از وارد کردن فشار زیاد روی دستگاه خود داری کنید. برای هر کاری، از ابزار الکتریکی مناسب با آن استفاده کنید. بکار گرفتن ابزار الکتریکی مناسب باعث می شود که بتوانید از توان دستگاه بهتر و با اطمینان بیشتر استفاده کنید.

ب) در صورت ایراد در کلید قطع و وصل ابزار برقی، از دستگاه استفاده نکنید. ابزار الکتریکی که نمی توان آنها را قطع و وصل کرد. خطرناک بوده و باید تعمیر شوند.

ت) قبل از تنظیم ابزار الکتریکی، موضوع تعلقات و یا کنار گذاشتن آن، دوشاخه را از برق کشیده و یا باطری آنرا خارج کنید. رعایت این اقدامات پیشگیری ایمنی از آزار افتادن ناخواسته ابزار الکتریکی جلوگیری می کند.

ث) ابزار الکتریکی را در صورت عدم استفاده، از دسترس کودکان دور نگهدارید. اجازه ندهید که افراد نا وارد و یا اشخاصی که این دفترچه راهنما را نخوانده اند، با این دستگاه کار کنند. قرار گرفتن ابزار الکتریکی در دست افراد ناوارد و بی تجربه خطرناک است.

ج) از ابزار الکتریکی خوب مراقبت کنید. مواظب باشید که قسمت های متحرک دستگاه خشک و کار کرده و گیر نکنند. همچنین دقت کنید که قطعات ابزار الکتریکی شکسته و یا آسیب دیده نباشند. قطعات آسیب دیده را قبل از شروع به کار تعمیر کنید. علت بسیاری از سوانح کاری، عدم مراقبت کامل از ابزارهای الکتریکی می باشد.

ب) ابزار برش را تمیز و تمیز نگه دارید. ابزار برشی که خوب مراقبت شده و از لبه های تمیز برخوردارند، کمتر در قطعه کار گیر کرده و بهتر قابل هدایت می باشند.

د) ابزارهای الکتریکی، تعلقات، ابزار که روی دستگاه نصب می شوند و غیره را مطابق دستورات این جزوه راهنما طوری به کار بگیرید که با مدل این دستگاه تناسب داشته باشند. همچنین به شرایط کاری و نوع کار توجه کنید. کاربرد ابزار برقی برای موارد کاری که برای آن در نظر گرفته نشده است، میتواند شرایط خطرناکی را منجر شود.

د) دسته ها و سطوح دستگیره ها را خشک، تمیز و عاری از روغن و گریس نگه دارید با دسته ها و سطوح دستگیره های لیز می توان در شرایط غیرمنظره بطور ایمن با ابزار کار کرد و کنترل آنرا داشت

۵) سرویس

ا) برای تعمیر ابزار الکتریکی فقط به متخصصین حرفه ای رجوع کرده و از وسایل پدکی اصل استفاده کنید. این باعث خواهد شد که ایمنی دستگاه شما تضمین گردد.

هشدارهای ایمنی برای اره های عمودبر

عمومی

• همیشه مطمئن شوید که ولتاژ ورودی دستگاه برابر ولتاژی باشد که روی پلاک دستگاه نوشته شده است (ابزارهایی که ولتاژ ورودی آنها ۲۳۰ یا ۲۴۰ ولت مشخص شده است می توانند با برق ۲۲۰ ولت هم کار کنند)

• عملکرد ابزار را پیش از هر بار استفاده کنترل کرده، در صورت مشاهده اشکال دستگاه را فوراً برای تعمیر نزد یک تعمیرکار ماهر ببرید، هرگز خودتان ابزار را باز نکنید

• با موادی حاوی آزبست کار نکنید (آزبست سرطان زااست)

• افراد کمتر از ۱۶ سال نباید با این دستگاه کار کنند

• میزان صدای تولید شده توسط این ابزار در حین کار می تواند از ۸۵ دسی بل بیشتر شود؛ از گوشی های محافظ استفاده کنید

• هنگام کار با موادی که تراشه ایجاد می کنند از عینک های محافظ استفاده کنید

• گرد و خاکی که از موادی مانند رنگ های حاوی سرب، برخی گونه های چوب، مواد معدنی و فلزات بلند می شود می تواند خطرناک باشد (اساس با این گرد و خاکها

با تنفس آنها می تواند در کاربران ابزار یا افراد نزدیک به محل کار واکنش های حساسیتسی وایا بیماری های تنفسی ایجاد کند؛ یک ماسک مخصوص گرد و

خاک بزنید و در صورت امکان از یک وسیله مکش گرد و خاک استفاده کنید

• برخی از گرد و خاکها (مانند گرد و خاکی که از چوب بلوط یا راش بلند می شود) علی الخصوص در مجاورت افزودنی های مخصوص چوب، سرطان زا هستند؛ یک ماسک مخصوص گرد و خاک بزنید و در صورت امکان از یک وسیله مکش گرد

و خاک استفاده کنید

• از مقررات ملی مربوط به گرد و خاک موادی که می خواهید با آنها کار کنید پیروی نمایید

• سیم های رابط برق باید کاملاً آیز شده و ایمن باشند. از سیم هایی با ده بندی ۱۶ آمپر قبل از هرگونه تنظیم یا تعوض کردن لوازم و ملحمتعلقات حتماً باید سیم برق دستگاه را از پریز بکشید

پیش از استفاده

• پیش از شروع برش تمام موانع موجود در بالا یا زیر مسیر برش را بردارید

• پیچ ها، میخ ها و سایر اجزا دیگر می توانند به قطعه کاری شما آسیب بزنند؛ بنابراین پیش از شروع کار آنها را بردارید

• از گیره یا هر روش عملی و مطمئن دیگر برای محکم کردن قطعه کاری روی سطح پایدار استفاده کنید (اگر قطعه کار را با دست نگه دارید یا به بدن خود تکیه دهید، امکان دارد کنترل کار را از دست بدهید)

در حین استفاده

• هنگام استفاده از ابزار در مواردی که امکان دارد متعلقات برش یا سیم های پنهان شده یا سیم های خود ابزار تماس پیدا کنند. حتماً آنها را از جای دست های مخصوص سابق شده بگردید (تماس متعلقات برش با سیم های "برق دار" می تواند در بخش های فلزی دستگاه نیز جریان "برق" تولید کرده و موجب شوک برقی استفاده کننده شود)

• هنگامی که سیم ابزار به برق وصل است ولی از آن استفاده نمی کنید، امکان دارد دسته ابزار گرم شود؛ این حالت طبیعی است و اشکالی را نشان نمی دهد

• همیشه سیم برق را از بخشهای متحرک ابزار دور بگیرید؛ سیم را به سمت پشت، دور از ابزار بگیرید

• اگر سیم برق آسیب دیده یا بریده شده باشد، هرگز به سیم دست نزنید، اما فوراً آنرا از پریز بکشید

• وقتی که سیم برق ابزار آسیب دیده هرگز از آن استفاده نکنید و از یک فرد متخصص بخواهید آنرا برای شما عوض کند

• در صورت بروز اشکالات برقی یا مکانیکی، فوراً ابزار را خاموش کرده و سیم برق آنرا از پریز بکشید

• هنگامی که ابزار در حال کار است دست های خود را از تیغه اره دور نگه دارید

• متعلقات

• در صورتی که از متعلقات اصلی استفاده کنید عملکرد بدون مشکل ابزار را تضمین می نماید

• اگر تیغه اره ترک دارد، تغییر شکل یافته یا کند شده است از آن استفاده نکنید

• استفاده در فضای آزاد

• اگر می خواهید از ابزار در فضای آزاد استفاده کنید، باید ابزار را حتماً با یک مدارشکن جریان خطا (FI) با سقف جریان حداکثر ۳۰ میلی آمپر وصل کرده و فقط از سیم های اصلی استفاده کنید مخصوص فضای آزاد بوده و دارای پریز- اتصال ضد ریزش آب می باشند

- للحصول على قطع مستقيم دقيق، وجّه المنشار مع النصة على امتداد حافة قطعة خشب مستقيمة⁽¹⁸⁾.
- قم بعمل ثقب خضري لفتحة قبل القيام بعمل قطوعات⁽¹⁾.
- قطع بدون تشطي
- قم بتغطية حط القطع بعدة طبقات من شريط عريض قبل القيام بعملية القطع.
- قم دائمًا بتوجيه الجانب الجيد من قطعة العمل إلى أسفل.
- لزيد من النصات، زر موقعنا www.skill.com

الصيانة / الخدمة

- لم يتم تصميم هذه الأداة للاستخدام الاحترافي؛
- حرص دائمًا على نظافة الأداة والسلك (وخصوصًا فتحات التهوية H⁽¹⁾).
- ! **افصل المقابس قبل التنظيف**
- إذا تعذر تشغيل الأداة على الرغم من الحذر الشديد في إجراءات التصنيع والاختبار، فيجب القيام بالإصلاحات بواسطة مركز خدمة ما بعد البيع لأدوات الطاقة التابع لشركة SKIL.
- قم بإرسال الأداة دون تفكيكها بالإضافة إلى إثبات الشراء إلى البائع أو أقرب محطة خدمة (SKIL) العنوانين بالإضافة إلى مخطط الخدمة متاح على www.skill.com

البيئة المحيطة

- لا تتخلص من الأدوات الكهربائية والملحقات ومواد التغليف مع النفايات المنزلية (لدول الاتحاد الأوروبي فقط):
- وفقًا للتوجيه الأوروبي 2012/19/EC حول نفايات المعدات الكهربائية والإلكترونية وتطبيقه بالتوافق مع القانون المحلي، يجب جميع الأدوات الكهربائية منتهية الصلاحية بشكل منفصل وإرسالها إلى أحد منشآت إعادة التصنيع المتوافقة مع البيئة.
- سيبتريك الرمز (5) بهذا عند الحاجة إلى التخلص من أية أداة:

الضوضاء / الاهتزاز

- عند القياس بالتوافق مع EN 12841 يكون مستوى ضغط صوت هذه الأداة هو 88 ديسيبل (A) ومستوى طاقة الصوت 99 ديسيبل (A) (الانحراف المعياري: 2 : ديسيبل).
- والاهتزاز * (مجموع المحركات بثلاثة، K غير مؤكد 1,5 م/م²)
- * عند قطع الأخشاب 1,7 م/م²
- * عند قطع المعدن 11,4 م/م²
- تم قياس مستوى الاهتزازات بالتوافق مع الاختبار المعياري المحدد في EN 12841؛ يمكن استخدامه لمقارنة أداة بأداة أخرى وتقسيم تجديدي للتعرض للاهتزاز عند استخدام الأداة في التطبيقات الموضحة:
- قد يؤدي استخدام الأداة في تطبيقات مختلفة أو مع ملحقات مختلفة أو ذات صيانة رديئة إلى زيادة مستوى التعرض بصورة كبيرة؛
- إن الفترة الزمنية التي يتم خلالها إيقاف تشغيل الأداة أو عندما تكون قيد التشغيل لكنها لا تؤدي أية مهام، تؤدي إلى تقليل مستوى التعرض بصورة كبيرة؛
- ! **قم بحماية نفسك من تأثيرات الاهتزاز من خلال صيانة الأداة وملحقاتها، والحفاظ على يدك دافئتين وتنظيم أوضاع العمل لديك:**

اجزاي ابزار (2)

- A برچسب هشدار (1)
- B كليد روشن/خاموش و کنترل دور
- C ضامن قفل کننده
- D كليد الكترونیک تنظيم سرعت اهره کاری
- E رابط اتصال جاروبرقی
- F اهرم انتخاب حالت اهره کاری
- G كليد روشن/خاموش کردن ليزر
- H شياهرای هيوه
- J حفاظ برش
- K سيستم Clc برای تعويض تبغه اهره
- L محل نگهداری كليد

ایمنی

راهنمای های ایمنی عمومی برای ابزارهای الکتریکی

تمامی هشدارهای ایمنی، دستورالعمل ها، تصاویر و مشخصات فنی ارائه شده همراه با این ابزار الکتریکی را مطالعه کنید. در صورت عدم رعایت تمام دستورالعمل های زیر خطر برق گرفتگی، آتش سوزی و/یا جراحت شدید وجود خواهد داشت.

همه هشدارها و راهنمایی ها را برای استفاده آتی نگهداری کنید

• در این هشدارها عبارت «ابزار الکتریکی» به معنی ابزارهای الکتریکی فاقد باتری (با سیم برق) و یا ابزارهای الکتریکی باتری دار (شارژی) است.

- (1) ایمنی محل کار
 - (ا) محل کار خود را تمیز مرتب و مجهز به نور کافی نگهدارید. محیط کار نامرتب و کم نور میتواند باعث سوانح کاری شود.
 - (ب) با ابزار الکتریکی در محیط هایی که در آن خطر انفجار وجود داشته و حاوی مایعات، گازها و غبارهای محترقه باشند، کار نکنید. ابزارهای الکتریکی جرقه های ایجاد می کنند که می توانند باعث آتش گرفتن گرد و بخار های موجود در هوا شوند.
 - (ت) هنگام کار با ابزار الکتریکی، کودکان و سایر افراد را از دستگاه دور نگهدارید. در صورتیکه حواس شما پرت شود، ممکن است کنترل دستگاه از دست شما خارج شود.

ایمنی الکتریکی

- (1) **دوشاخه ابزار الکتریکی باید با پریز برق تناسب داشته باشد. هیچگونه تغییری در دوشاخه ندهید.** مبدل دوشاخه نباید همراه با ابزار الکتریکی دارای اتصال به زمین (ارت شده) استفاده شود. مبدل دوشاخه نباید همراه با ابزار الکتریکی دارای اتصال به زمین (ارت شده) استفاده شود.
 - (ب) از تماس بدنی با قطعات دارای سیم اتصال به زمین (ارت شده) مانند لوله، شوفاژ، اجاق برقی و یخچال خود داری کنید. در صورتیکه بدن شما با سیم دارای اتصال به زمین (ارت شده) تماس پیدا کند، خطر برق گرفتگی بیشتر خواهد شد.
 - (ت) دستگاه را از باران و رطوبت دور نگهدارید. نفوذ آب به ابزار الکتریکی، خطر شوک الکتریکی را افزایش می دهد.
 - (ث) از سیم به درستی استفاده کنید. از سیم دستگاه برای کارهایی چون حمل ابزار الکتریکی، اوپران کردن آن و یا خارج کردن دوشاخه از بقیق استفاده نکنید. دستگاه را در مقابل حرارت، روغن، لبه های تیز و بخش های متحرک دستگاه دور نگهدارید. کابل های آسیب دیده و یا کوره خورده خطر شوک الکتریکی را افزایش می دهند.
 - (ج) در صورتیکه با ابزار الکتریکی در محیط باز کار می کنید، تنها از کابل ر با بطی استفاده کنید که برای محیط باز نیز مناسب باشد. کابل های رابط مناسب برای محیط باز، خطر برق گرفتگی را کم می کنند.
 - (ح) در صورت لزوم کار با ابزار الکتریکی در محیط و اماکن مرطوب، در اینصورت باید از یک کلید حفاظتی جریان خطا و نشستی زمین (کلید قطع کننده اتصال با زمین) استفاده کنید. استفاده از کلید حفاظتی جریان خطا و نشستی زمین خطر برق گرفتگی را کمتر می کند.

رعایت ایمنی اشخاص

- (1) **حواس خود را خوب جمع کنید، به کار خود دقت کنید و با فکر و هوش کامل با ابزار الکتریکی کار کنید.** در صورت خستگی و یا در صورتیکه مواد مخدر، الکل و دارو استفاده کرده اید، با ابزار الکتریکی کار نکنید. یک لحظه بی توجهی هنگام کار با ابزار الکتریکی، میتواند جراحت های شدیدی به همراه داشته باشد.

FA

اره عمودبر 1061

مقدمه

- این ابزار برای ایجاد برش و بریدن قطعاتی از چوب، پلاستیک، فلز، صفحات سرامیکی و لاستیک طراحی شده و برای اجرای برش های صاف و منحنی با زوایای فارسی بر تا 45 درجه هم مناسب است
- این ابزار برای مصارف حرفه ای مناسب نیست
- لطفاً این دفترچه راهنما را مطالعه کرده و نگهدارید (3)

اطلاعات فنی (1)

معلومات عامة

- تأكد دائماً من أن الفولت الزود هو نفسه المشار اليه على اللوحة الخاصة بالأداة (يمكن كذلك توصيل الأدوات ذات التصنيف ٢٣٠ فولت أو ٢٤٠ فولت بمصدر إمداد ٢٢٠ فولت).
- خفف من وظيفة الأداة قبل كل استخدام، وفي حالة وجود غسكل، فقم على الفور بإصلاحها على يد أحد المهنيين ويحظر نهائياً فتح الأداة عند غسكل.
- لا تعمل باستخدام مواد تشتمل على الألبستوس (يعتبر الألبستوس مادة مسرطنة).

لا يجب استخدام هذه الأداة من قبل الأشخاص الأقل من ١٦ عام؛

- قد يزيد مستوى الضوضاء أثناء العمل عن ٨٥ ديسيبل (أ)، لذا قم بارتداء واقيات للآذن ارتد نظارات واقية عند العمل باستخدام مواد يتخلف عنها رقائق نشارة؛
- الغبار الناتج من المواد كالطلاء الذي يحتوي على رصاص وبعض أنواع الأخشاب والمعادن والمكونات المعدنية قد يكون ضاراً (لامسمة أو استنشاق الغبار قد تتسبب في إصابة المشغل أو من يجاوره بأمراض الحساسية وأو أمراض الجهاز التنفسي)؛
- قم بارتداء قناع للغبار مع العمل باستخدام جهاز شطف للغبار، طالما لم يكن توصيله

- ثمة أنواع معينة من الغبار تُصنّف على أنها مواد مسببة للسرطان (مثل غبار خشب البلوط والزان) خاصة عند استخدامها مع مواد مضافة لعلاج الخشب؛
- قم بارتداء قناع للغبار مع العمل باستخدام جهاز شطف للغبار، طالما لم يكن توصيله

- التزم بالمتطلبات الوطنية الخاصة بالغبار عند العمل باستخدام المواد المطلوبة
- استخدم أسلاك تمديد مفكوكة تماماً وأمنة سعة ١٦ أمبير (١٢ أمبير في بريطانيا العظمى)
- احرص دائماً على فصل القابس من مصدر الطاقة قبل القيام بأية عمليات ضبط أو تغيير أية ملحقات؛

قبل الاستخدام

- قبل بدء القطع قم بإزالة جميع العوائق التي توجد أعلى وأسفل مسار القطع
- خُذ التلّف الذي قد تتسبب فيه البراغي والمسامير والعناصر الأخرى الموجودة في القطعة التي تعمل بها، فقم بفكهم قبل بدء العمل؛
- استخدم القامطات أو وسيلة عملية أخرى لتثبيت قطعة العمل بمنصة ثابتة ودعمها (الإمسك بقطعة العمل في يدك أو مقابل جسمك قد يؤدي إلى فقدان التحكم)؛

أثناء الاستخدام

- امسك بالأداة الكهربائية بواسطة أسطح إمساك معزولة وذلك عند القيام بأعمال قد تتعرض لمخاطر القطع من خلالها إلى التلامس مع أسلاك غير ظاهرة أو مع السلك الخاص بها (تلاص ملحقات القطع مع سلك "متصل بالكهرباء" سيؤدي إلى "وصول التيار الكهربائي" إلى الأجزاء المعدنية المكشوفة وقد يعرض المشغل لصدمة كهربائية)
- عندما تكون الأداة الموصلة بالكهرباء غير مستخدمة، قد يسخن مقبض الأداة؛ ويعتبر ذلك أمراً عادياً ولا يشير إلى وجود مشكلة؛
- حافظ دائماً على بقاء السلك بعيداً عن الأجزاء المتحركة بالأداة، ووجه السلك للخلف بعيداً عن الأداة؛
- في حالة تعرض السلك للتلف أو لقطع أثناء العمل، لا تلمس السلك وافصل القابس فوراً
- يحظر نهائياً استخدام الأداة في حالة تلف السلك، بل قم باستبداله من قبل أحد الأفراد المؤهلين
- في حالة حدوث خلل كهربائي أو ميكانيكي، أوقف تشغيل الأداة فوراً وافصل القابس؛
- ابعِد يديك عن نصل المنشار أثناء استخدام الأداة؛

الملحقات

- تضمن SKIL التشغيل السليم للأداة فقط عند استخدام الملحقات الأصلية؛
- لا تستخدم نصل منشار يحتوي على شقوق أو معوج أو غير حاد؛

الاستخدام في مناطق مفتوحة

- عند استخدام الأداة في مناطق مفتوحة، قم بتوصيل الأداة عبر قاطع تيار دائرة القصر (FI) باستخدام تيار بدء الإنشغال مقداره ٣٠ ميلي أمبير بحد أقصى ولا تستخدم إلا سلك التمديد المخصص للاستخدام في المناطق المفتوحة والمزود بمقياس وصل مقاوم للريش؛

بعد الاستخدام

- عندما تضع الأداة جانباً، أوقف تشغيل المحرك وتأكد من توقف جميع الأجزاء المتحركة بشكل تام

إشعاع الليزر

- لا توجه شعاع الليزر على أشخاص أو حيوانات؛
- لا تنظر إلى شعاع الليزر (إشعاع الليزر)؛
- لا تستخدم أي معدات بصرية مكبرة (مثل العدسات المكبرة أو التلسكوبات أو الميكروبات ثنائية العينين) لعرض شعاع الليزر؛
- لا تقم بتشغيل الأداة في وجود سائل أو غازات أو غبار أي منهم قابل للاشتعال؛
- لا تقم بتشغيل الأداة مع وجود أطفال في المنطقة المحيطة؛
- شرح الرموز الموجودة على الأداة
- ① قم بقراءة دليل الإرشادات قبل الاستخدام
- ② العزل المزودج (لا يلزم سلك أرضي)
- ③ لا تتخلص من الأداة مع النفايات المنزلية؛
- ④ إشعاع الليزر/ لا تنظر إلى شعاع الليزر/ فئة ليزر ٢

الاستخدام

- التشغيل/ إيقاف التشغيل ⑤
- التحكم بالسرعة مع التشغيل السلس ⑥
- تأمين الفتح للاستخدام المتواصل ⑦
- تغيير أنصال المنشار ⑧

! لا بدإخال النصل بالعمق الكامل بحيث تكون السنون موجهة للأمام

⑨

! استخدم سنون ساق على شكل حرف T فقط؛

النشر بزاوية ١٥/٣٠/٤٥ درجة ⑩

ضبط سرعة النشر مع المعادن المستخدمة ⑪

! إذا لم يعمل المنشار مع وجود العجلة D في الوضع ١، اختر سرعة نشر أعلى وخفض سرعة النشر أثناء تشغيل الأداة؛

شطف الغبار ⑫

- وصل الكنسة الكهربائية بموضع التوصيل E

! لا تستخدم الكنسة الكهربائية عند قطع المعادن؛

اختيار نمط النشر ⑬

استخدم ذراع F ⑭ لضبط الحركة المدارية بدءاً من قطع دقيق (= ٠) إلى قطع سريع (= III)؛

- إعداد واحد (= ٠) لقطع دقيق في جميع المواد، مستقيم + منحني؛

- ثلاث إعدادات لقطع سريع في مواد مختلفة، قطوعات مستقيمة فقط؛

= I معدن

= II بلاستيك

= III خشب صلب

! اختر "٠" دائماً عند نشر مواد حساسة للتشطي؛

شعاع الليزر ⑮

- لتوجيه الأداة على امتداد خط القطع المطلوب المبين على قطعة العمل

- قم بتشغيل/ إيقاف تشغيل شعاع الليزر بالضغظ على المفتاح G؛

- قبل بدء العمل مهمة، خفف من محاذة خط شعاع الليزر مع الخط الفعلي للقطع من خلال إجراء تجربة قطع لإحدى القطع من النفايات؛

! لا حاول ضبط شعاع الليزر مع برغي X، الذي تم ضبطه مسبقاً أثناء عملية

التصنيع؛

! لا تتخلص من ملصق التحذير أو تتسبب في إتلافه ⑯

تشغيل الأداة

- قبل تشغيل المنشار، تأكد من أن الطرف الأمامي للمنصة يستند على نحو

مستو على قطعة العمل؛

- أحكم الإمساك بالأداة بكلتا يديك، بحث تتمكن من التحكم في الأداة تماماً طوال الوقت؛

! أثناء العمل، امسك الأداة دائماً من منطقة (مناطق) المقبض رمادية اللون

⑰

- تأكد من استناد سطح المنصة بالكامل على قطعة العمل بإحكام؛

! تأكد من توقف حركة الشفرة تماماً، قبل رفع الأداة عن قطعة العمل

- احرص على أن تكون فتحات التهوية H ⑱ غير مغطاة؛

توصيات الاستخدام

• استخدم أنصال المنشار اللامتمة ⑲

! استخدم سنون ساق على شكل حرف T فقط؛

• عند قطع المعادن، قم بتزليق نصل المنشار بانتظام بالزيت؛

• استخدم حاجز القطع الطولي ل عمل قطع بشكل متوازي ⑳

مقدمة

- تم تصميم هذا المنشأر لعمل قطع نافذة على شكل شرائح أو قطع منفصلة بالأخشاب والبلاستيك واللجان والأطواق الخرفية والحطاط. كما بعد ملامتاً لعمل قطوعات مستقيمة ومنحنية براويا مفصلة قدرها ٤٥ درجة؛
- لم يتم تصميم هذه الأداة للاستخدام الاحترافي؛
- أقرأ دليل التعليمات هذا واحتفظ به ①

البيانات الفنية ①

مكونات الأداة ②

- ج) استخدم فقط كابات التمديد الصالحة للاستعمال الخارجى أيضا عندما تشغلت بالعدة الكهربائية في الخلاء. بخفض استعمال كابل تمديد مخصص للاستعمال الخارجى من خطر الصدمات الكهربائية.
- ح) إن لم يكن بالإمكان عدم تشغيل العدة الكهربائية في الأجواء الرطبة. فاستخدم مفتاح الوقائية من التيار المتردد. إن استخدام مفتاح الوقائية من التيار المتردد يقلل خطر الصدمات الكهربائية.
- ٣) أمن الأشخاص
- أ) كن يقظا وأنتبه إلى ما تفعله وقم بالعمل بواسطة العدة الكهربائية بعقل.. لا تستخدم مفتاح كهربائية عندما تكون متعب أو عندما تكون تحت تأثير المخدرات أو الكحول أو الأدوية. عدم الإنباه للحظة واحدة عند إستخدام العدة الكهربائية قد يؤدي إلى إصابة خطيرة.
- ب) ارتد عتاد الوقاية الخاص. وارتد دائما نظارات واقية. يجب إرتداء عتاد الوقاية الخاص كفتاح الوقاية من الغبار وأحذية الأمان الواقية من الإرتدائى والحوذ واقية الأذن. حسب نوع وإستعمال العدة الكهربائية. من خطر الإصابة بجروح.
- ت) تجنب التشغيل بشكل غير مقصود. تأكد من كون العدة الكهربائية مطفأة قبل وصلها بإمداد التيار الكهربائى و/ أو بالمركم. وقيل رفعها أو حملها. إن كنت تضع إصبعك على المفتاح أثناء حمل العدة الكهربائية أو إن وصلت الجهاز بالشبكة الكهربائية عندما يكون قيد التشغيل. فقد يؤدي ذلك إلى حدوث الحوادث.
- ث) انزع عدد الضبط أو مفتاح الربط قبل تشغيل العدة الكهربائية. قد تؤدي العدة أو المفتاح المتواجد في جزء دوار من الجهاز إلى الإصابة بجروح.
- ج) تجنب أوضاع الجسم غير الطبيعية. قف بأمان وحافظ على توازنك دائما. سيسمح لك ذلك على السيطرة على الجهاز بشكل أفضل في المواقف غير المتوقعة.
- ح) ارتد ملابس مناسبة. لا ترتدى الثياب الفضفاضة أو الخلى. حافظ على إبقاء الشعر والثياب والقفازات على بعد عن أجزاء الجهاز المتحركة. قد تتشابك الثياب الفضفاضة والخلى والشعر الطويل بالأجزاء المتحركة.
- خ) إن جاز تركيب جهاز شفط وجميع الغبار فتأكد من أنها موصولة وبأنه يتم استخدامها بشكل سليم. قد يقلل إستخدام تجهيزات لشفط الأغبرة من المخاطر الناتجة عن الأغبرة.
- د) لا تدع أعتيادك على الاستخدام المتكرر للأدوات يسمح لك بتجاهل مبادئ سلامة الأداة. قد يتسبب الاستخدام بدون أكثرات في حدوث إصابة بالغة في غضون ثوانى؛
- ٤) حسن معاملة واستخدام العدد الكهربائى
- أ) لا تقطر في جُميل الجهاز؛ إستخدم لتنظيف أنفالك العدة الكهربائى المخصصة لذلك. إنك تعمل بشكل أفضل وأكثر أمانا بواسطة العدة الكهربائى الملائمة في مجال الأداء المذكور.
- ب) لا تستخدم العدة الكهربائى إن كان مفتاح تشغيلها تالف. العدة الكهربائى التي لم تعد تسمح بتشغيلها أو بإطفاؤها خطيرة ويجب أن يتم تصليحها.
- ت) اسحب القابس من المقبس و/ أو انزع المركم قبل ضبط الجهاز وقبل إستبدال التوابع أو قبل وضع الجهاز جانبا. جمع إجراءات الاحتياط هذه تشغيل العدة الكهربائى بشكل غير مقصود.
- ث) احتفظ بالعدد الكهربائى التي لا يتم إستخدامها بعيدا عن منال الأطفال. لا تسمح باستخدام العدة الكهربائى لمن لا خبرة له بها أو لمن لم يقرأ تلك التعليمات. العدد الكهربائى خطيرة إن تم استخدامها من قبل أشخاص دون خبرة.
- ج) اعتن بالعدة الكهربائى بشكل جيد. تحصن عما إذا كانت أجزاء الجهاز المتحركة تعمل بشكل سليم. وبأنها غير مستعصبة عن الحركة أو إن كانت هناك أجزاء مكسورة أو تالفة لدرجة تؤثر فيها على حسن أداء العدة الكهربائى. ينبغي تصليح هذه الأجزاء التالفة قبل إعادة تشغيل الجهاز. الكثير من الحوادث مصدرها العدد الكهربائى التي تم صيانتها بشكل ردى؛
- ح) حافظ على إبقاء عدد القطع نظيفة وحادة. إن عدد القطع ذات حواف القطع الحادة التي تم صيانتها بعناية تكليس بشكل أقل ويمكن توجيهها بشكل أيسر.
- خ) استخدم العدد الكهربائى والتوابع وعدد الشغل وإلخ. حسب هذه التعليمات. تراعى أثناء ذلك شروط الشغل والعمل المراد تنفيذها. استخدام العدد الكهربائى لغير الأشغال المخصصة لأجلها قد يؤدي إلى حدوث الحلات الخطيرة.
- د) احرص على جفاف المقابض وأسطح الإمساك ونظافتها وخلوها من الزيت والشحم؛ لا تسمح المقابض وأسطح الإمساك الزلقة بالاستخدام والتحكم الأمان في الأداة في الحلات غير المتوقعة؛
- ٥) الخدمة
- أ) اسمح بتصليح عدتك الكهربائى فقط من قبل المتخصصين فقط فقط بإستعمال قطع الغيار الأصلية. يؤمن ذلك المحافظة على أمن الجهاز.

أمان

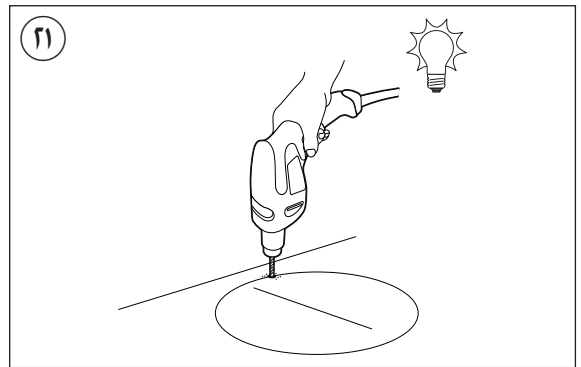
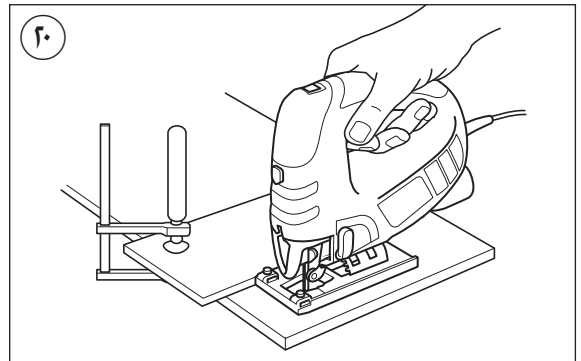
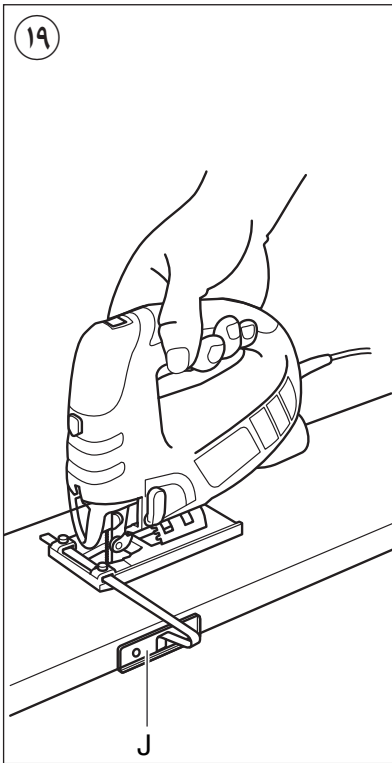
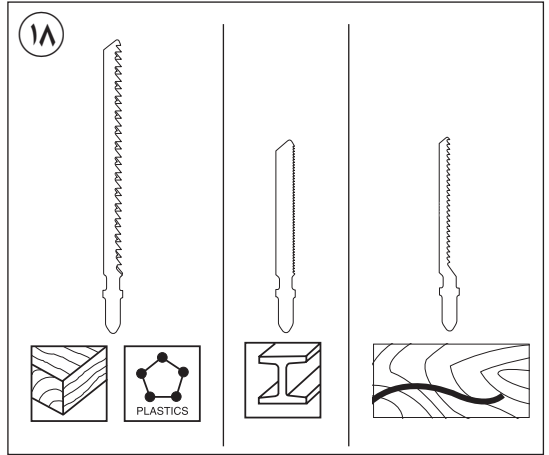
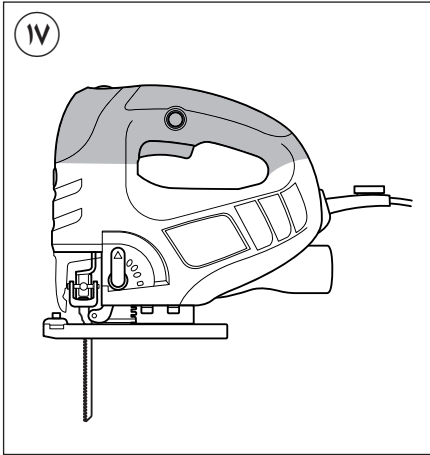
تحذيرات السلامة العامة للأداة الكهربائية

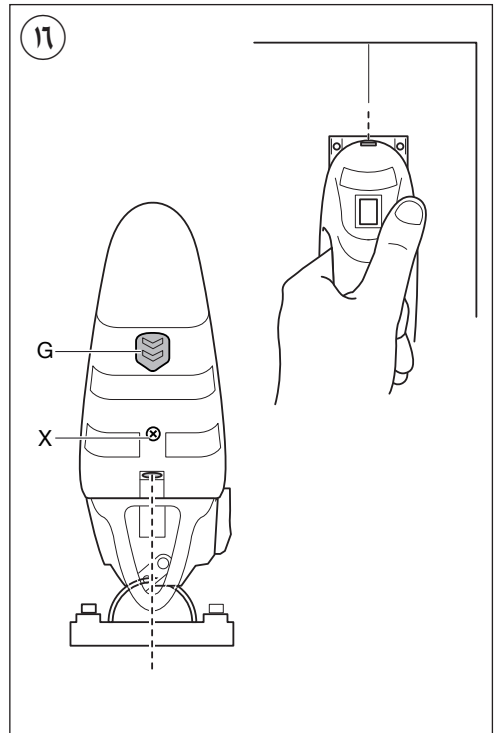
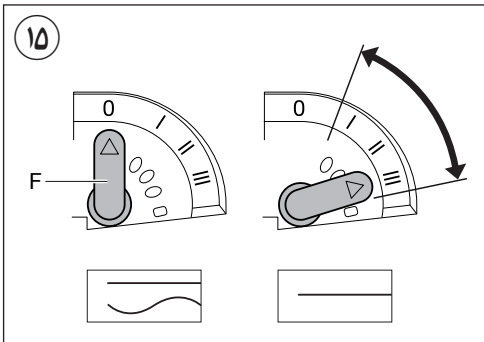
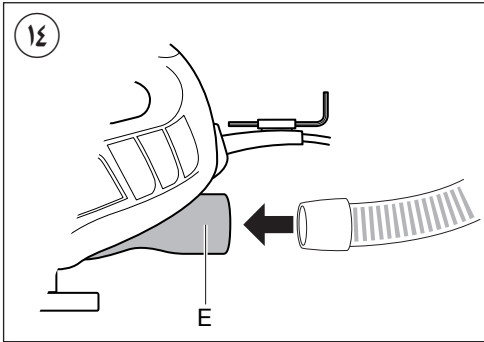
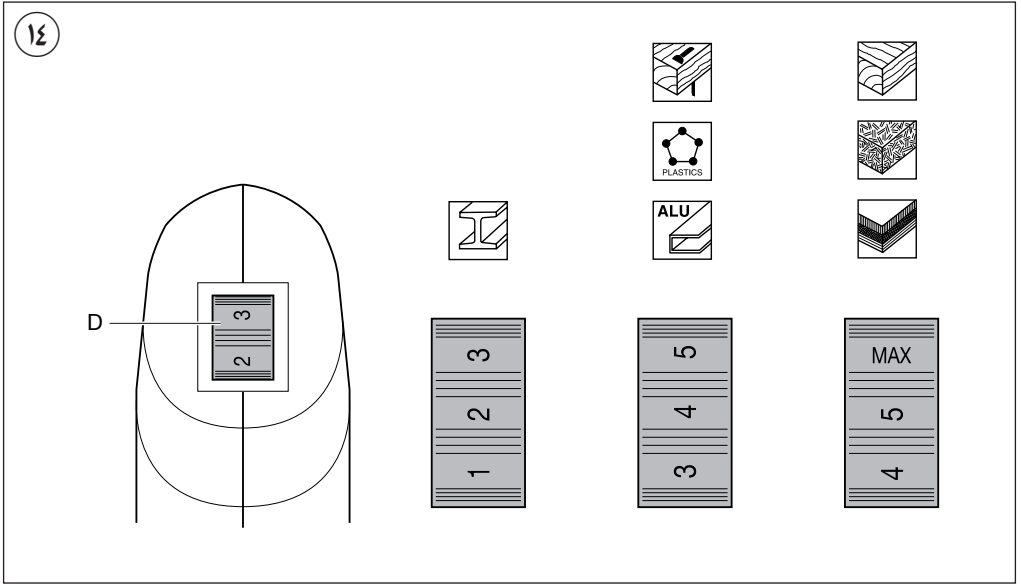
⚠ تحذير أقرأ كل تحذيرات السلامة والتعليمات والأشكال الإيضاحية والمواصفات المرفقة مع هذه الأداة الكهربائى؛ فقد يؤدي الإخفاق في الالتزام بكل التعليمات المدرجة أدناه إلى التعرض لصدمة كهربائية وأو حريق وأو إصابة خطيرة؛

احتفظ بكل التحذيرات للرجوع إليها في المستقبل

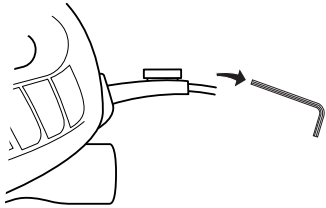
يشير المصطلح «الأداة الكهربائية» في التحذيرات إلى الأداة الكهربائى الخاصة بك التي تعمل بطاقة المأخذ الرئيسي (باستخدام سلك) أو بطاقة البطارية (بدون سلك)؛

- ١) الأمان مكان الشغل
- أ) حافظ على نظافة وحسن إضاءة مكان شغلك. الفوضى في مكان الشغل ومجالات العمل الغير مضأة قد تؤدي إلى حدوث الحوادث.
- ب) لا تشغلت بالعدة الكهربائى في محيط معرض لخطر الانفجار والذي تتوفر فيه السوائل أو الغازات أو الأغبرة القابلة للإشتعال. العدد الكهربائى تشكل الشر الذي قد يتطاير فيسعل الأغبرة والأبخرة.
- ت) حافظ على بقاء الأطفال وغيرهم من الأشخاص على بعد عندما تستعمل العدة الكهربائى. قد تفقد السيطرة على الجهاز عند التلهي.
- ٢) الأمان الكهربائى
- أ) يجب أن يتلامس قابس وصل العدة الكهربائى مع المقبس. لا يجوز تغيير القابيس بأي حال من الأحوال. لا تستعمل القابيس المهيأنة مع العدد الكهربائى المؤرضة تأريض وقائى. تخضع القابيس التي لم يتم تغييرها والمقابس الملائمة من خطر الصدمات الكهربائى.
- ب) تجنب ملامسة المسطوح المؤرضة كالأنياب وراياتورات التدفئة والمدايق أو البرادات بواسطة جسمك. يزداد خطر الصدمات الكهربائى عندما يكون جسمك مؤرض.
- ت) أبعد العدة الكهربائى عن الأمطار أو الرطوبة. يزداد خطر الصدمات الكهربائى إن تسرب الماء إلى داخل العدة الكهربائى.
- ث) يجب عدم إساءة استخدام الكابل. لا تسئ استعمال الكابل حمل العدة الكهربائى أو لتعليقها أو لسحب القابيس من المقبس. حافظ على إبعاد الكابل عن الحرارة والريث وحواف الحادة أو عن أجزاء الجهاز المتحركة. تزيد الكابلات التالفة أو المتشابكة من خطر الصدمات الكهربائى.

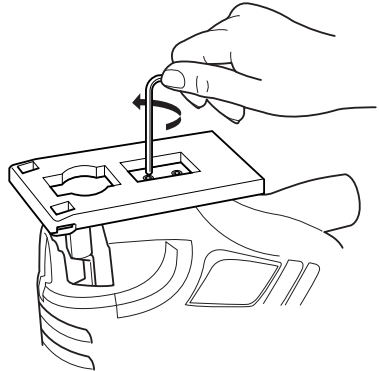




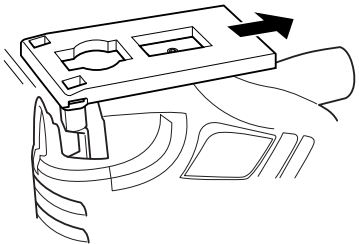
1



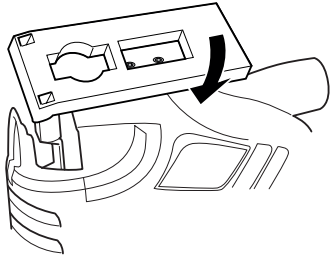
2



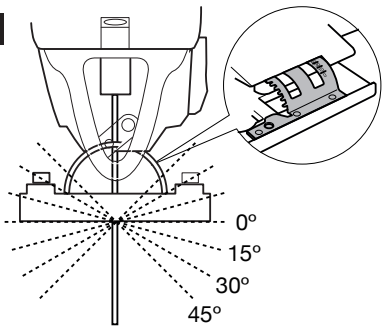
3



4

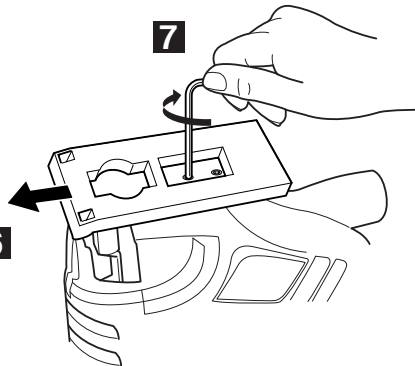


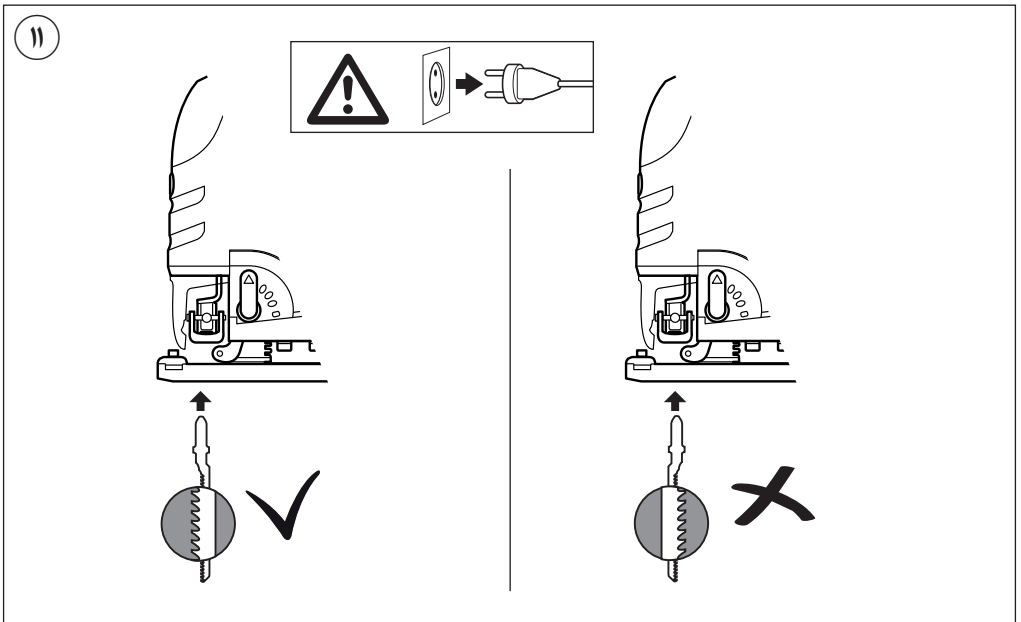
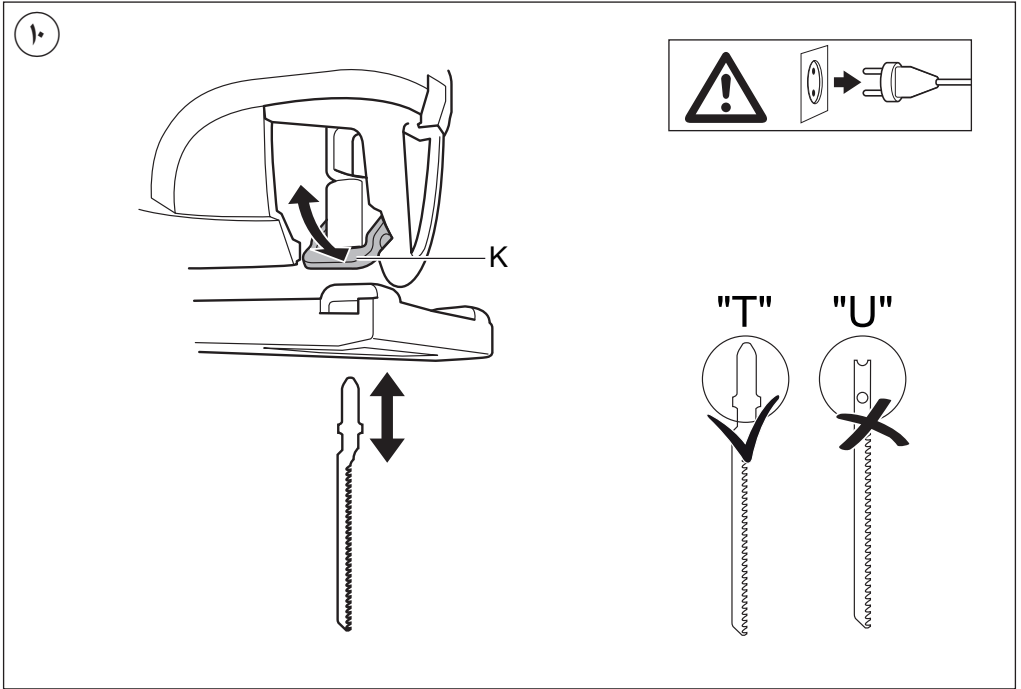
5

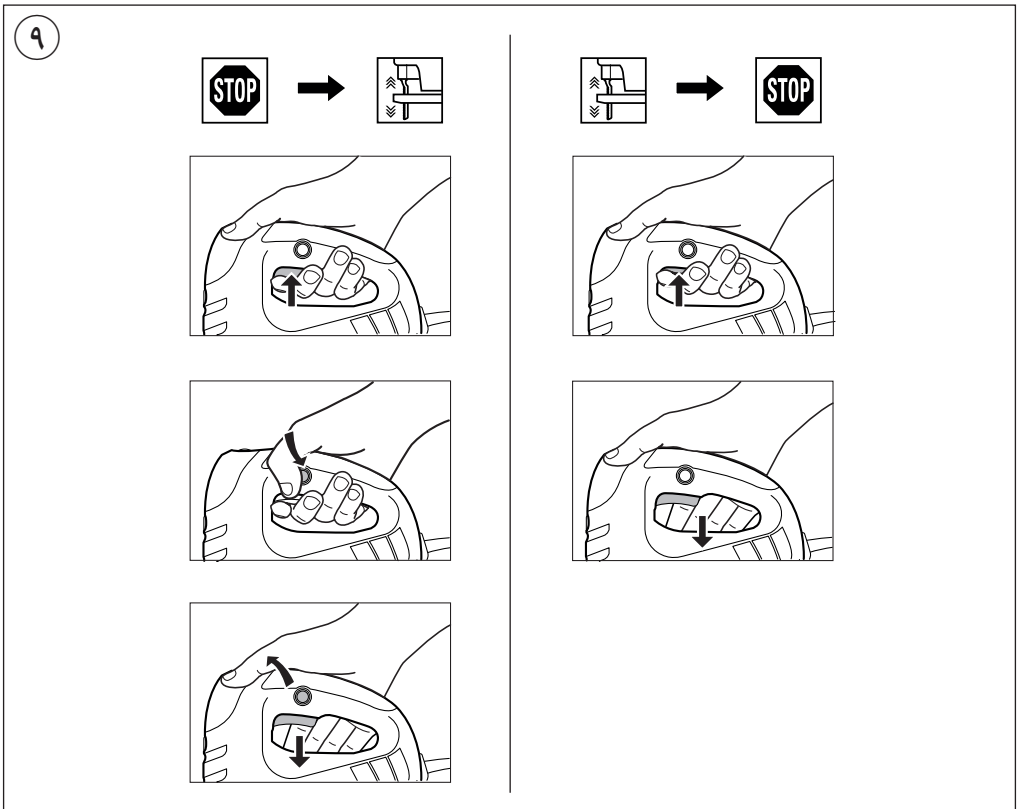
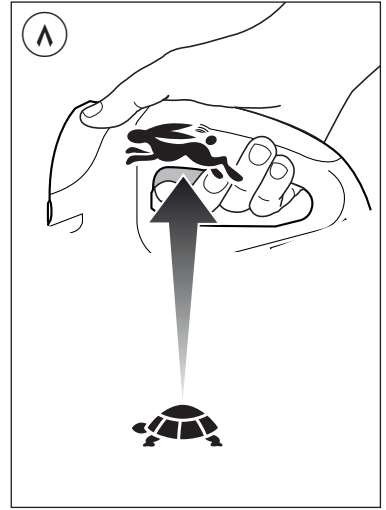
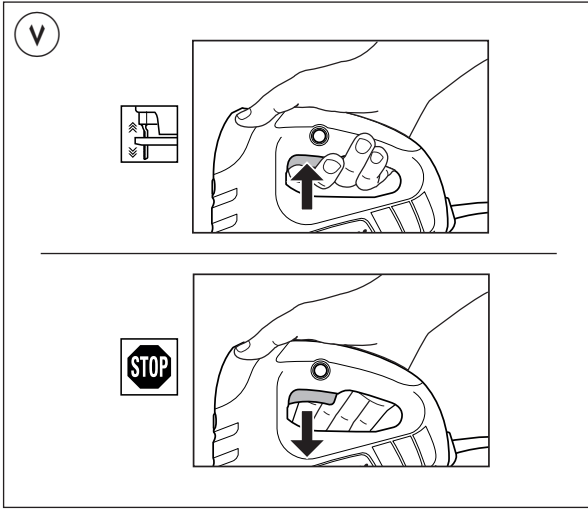


7

6







1

1061

800
Watt

2,5 kg

100mm

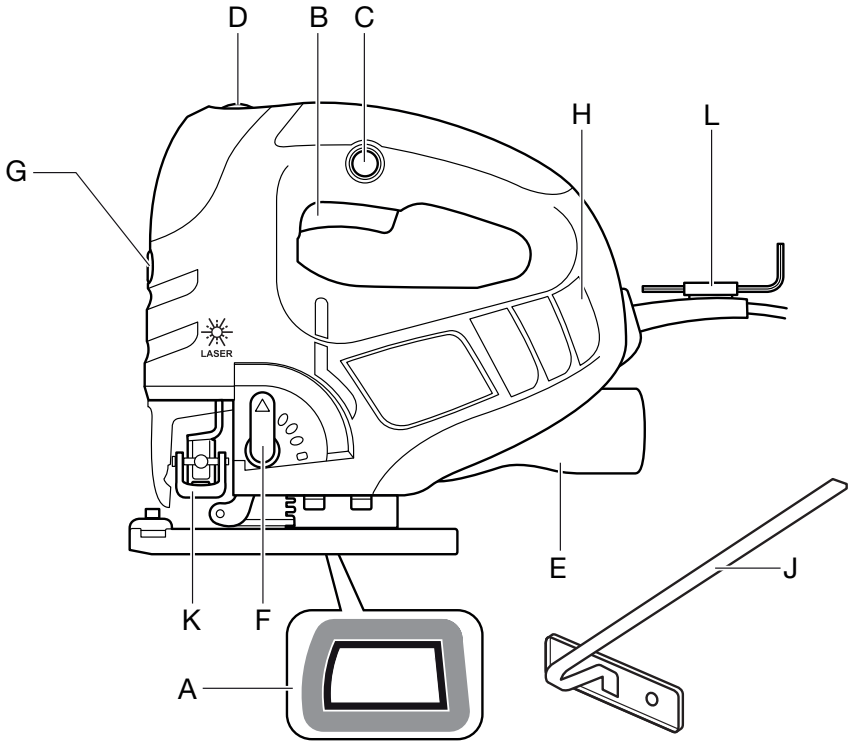
Alu
10 mm

Fe
4 mm

800-3000
p/min

230
-
240
V~
50-60 Hz

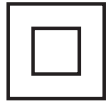
2



3



4



5



6



منشار قطع النماذج
1061

SKIL®



دليل الاستعمال **AR**
راهنمای اصلی **FA**

