

# GUARDO

WEATHER STATION

## FULL MANUAL

GB

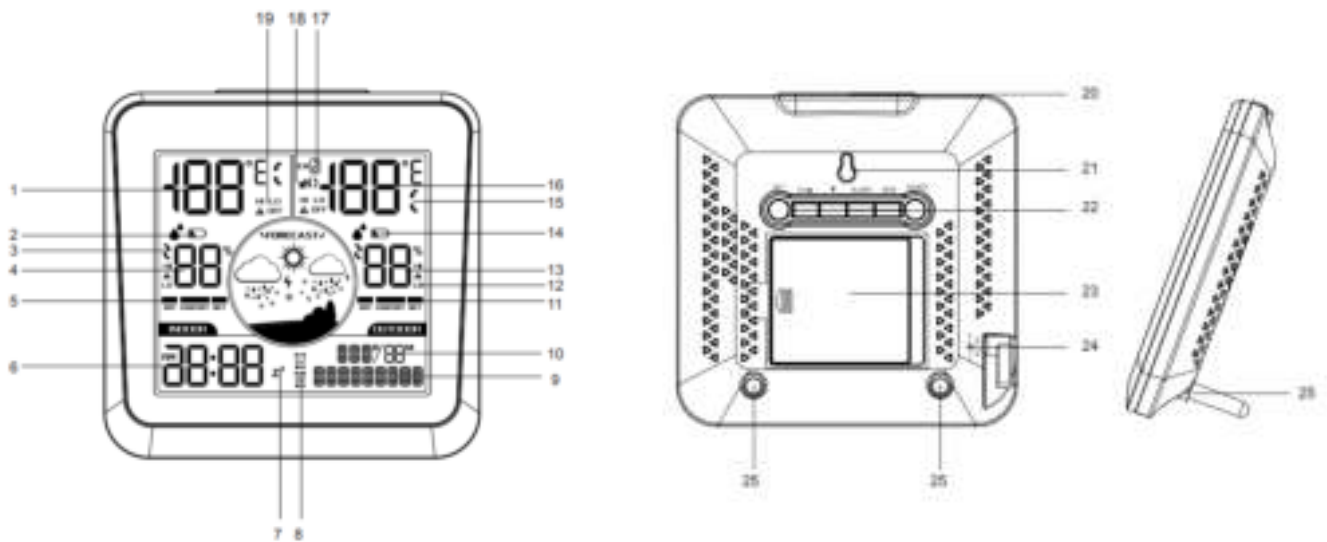
NL

F



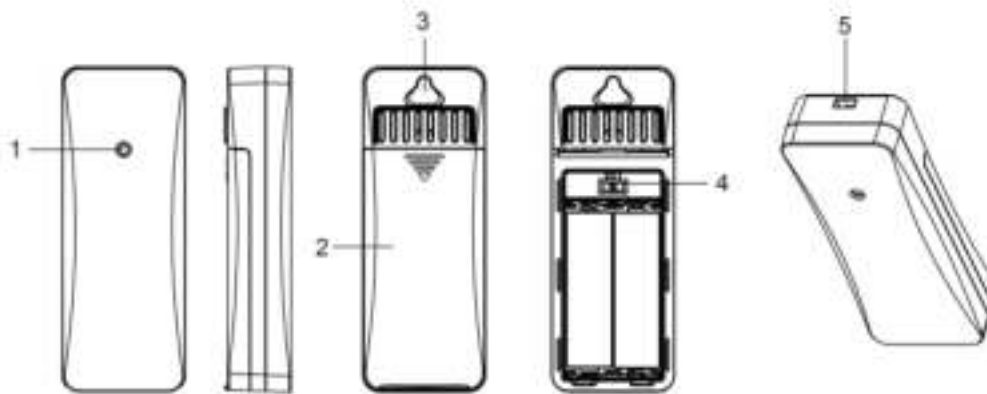
## 1. PARTS & BUTTONS

### MAIN UNIT



- |                                    |                                              |                                                                          |                                                                                     |
|------------------------------------|----------------------------------------------|--------------------------------------------------------------------------|-------------------------------------------------------------------------------------|
| 1. Indoor Temperature              | 8. Alarm Icon                                | 15. Temperature Trends                                                   | 22. Buttons:<br>【 SET 】<br>【 CHI/▲ 】<br>【 ▼ 】<br>【 ALARM 】<br>【 MEM 】<br>【 ALERTS 】 |
| 2. Low battery indicator main unit | 9. Weekday                                   | 16. Temperature Data from remote sensor                                  | 23. Battery Compartment Cover                                                       |
| 3. Humidity Trends                 | 10. Date                                     | 17. Channel No. for remote sensor                                        | 24. DC IN JACK                                                                      |
| 4. Indoor Humidity                 | 11. Comfort Indicator for different channels | 18. Auto scrolling icon for measured data for different channels in loop | 25. Metal Stands                                                                    |
| 5. Indoor comfort indicator        | 12. HI/LOW Alert for Humidity                | 19. HI/LOW Alert for Temperature                                         |                                                                                     |
| 6. Time (12/24h)                   | 13. Humidity Data from remote sensor         | 20. Snooze / Light Button                                                |                                                                                     |
| 7. Snooze Icon                     | 14. Low battery indicator remote sensor      | 21. Hanging Hole                                                         |                                                                                     |

## REMOTE SENSOR



1. LED light
2. Battery compartment
3. Hanging hole
4. Channel shift
5. Rope hanging hole

## 2. INSTALLATION

### MAIN UNIT

- Remove the battery compartment cover (23).
- Insert 3 x AAA batteries matching the correct polarity (+and-) (optional, for use without DC adapter).
- Take out the metal stands in the battery compartment, assemble them to the metal stand holes (25).
- Connect the adapter with the main unit (22) and a power outlet.
- Close the battery compartment cover.

The main unit can be placed on a horizontal surface using the metal stands (25) or it can be hung on a wall using the hanging hole (21).

## SENSOR

1. Remove the battery compartment cover, choose the channel (1,2,3) using the channel shift (4).
2. Insert 2 x AA batteries matching the correct polarity (+ and -). The red led light (1) will flash once.
3. Close the battery compartment cover.

The sensor can be hung on a wall using the hanging hole (3).

### Remarks:

- Mount your sensor on a north-facing wall or in any shaded area. Under an eave or deck rail is preferred.
- The maximum wireless transmission range to the weather station is up to 50 meters in open air, not including walls or floors.
- Mount your sensor in a vertical position, to allow moisture to drain out properly. Keep out of direct sunlight & make sure the sensor is well-ventilated.

## 3. OPERATION

- After connecting the main unit to the power (or installing the batteries), the unit is automatically turned ON. The main unit will start to detect indoor temperature / humidity.
- To receive signals from the remote sensor, both devices should be set to same channel. For example, if you have chosen channel 2 for the sensor, you should select channel 2 for the main unit as well. Select the desired channel for the main unit using the **【CHI/▲】** button at the back of the unit.
- When you have set both the weather station and the outdoor sensor to the same channel, you should keep the [CHI/▲] button pressed until you hear a beep and the 3 dashes on the display start to flash. The outdoor sensor and the weather station will now connect to each other, this can take up to 3 minutes.
- If no signal is received within 3 minutes, the receiving antenna signal will stop. Automatic signal re-synchronization will be activated the next hour until the signal is received and outdoor sensor data is displayed on the main unit.

### Remarks:

- The weather station supports a connection with up to 3 sensors. Make sure each sensor is assigned to a different channel number. In standard mode, press the **【CHI/▲】** button to switch between the information of the 3 channels.
- The distance between main unit and transmitter should be at least 1.5~2 meters, away from any interfering sources such as computer monitors or TV sets. The main unit cannot stand

close to metal window frames. Please do not use other electrical products such as headphones or speakers operating on the same signal frequency.

## **BUTTONS**

- 【SET】** Press and hold to enter Setting mode  
Press to enter the following settings: language / beep / 12/24h format / time / date / °C/°F format  
Press to confirm a setting
- 【CHI/▲】** Press to choose channel 1/2/3  
In setting mode, press to change the setting item to the desired values
- 【▼】** In setting mode, press to change the setting item to the desired values
- 【MEM】** Press to view daily max. record / min. record / Heat Index / Dew Point
- 【ALARM】** Press and hold to enter Alarm time setting mode  
In alarm time setting mode, press to set the alarm(s)  
Press to view the 2 alarm settings
- 【SNOOZE/LIGHT】** Press to activate backlight for 10 seconds when powered with batteries  
Press to select the brightness level: high – soft – off when powered with adapter  
Press to snooze an alarm. The alarm will go off again after 5 minutes. Press any button to stop the alarm.
- 【ALERTS】** Press and hold to enter Alert setting mode  
In alert setting mode, press to (de)activate the alarm(s)

## **4. DETAILED OPERATION & FUNCTIONS**

### **A. STANDARD MODE**

- Press and hold the **【SET】** button to enter language setting mode, 12/24 h , C/F, time setting mode.
- Press the **【CHI/▲】** button to switch between channel 1/2/3, and increase fast during setting.
- Press the **【MEM】** button, to view Max-Min record - Heat Index - Dew Point and exit.
- Press the **【ALARM】** button to view the status of the 2 alarm times
- Press and hold **【ALARM】** to enter into alarm time setting mode
- Press **【SNOOZE/LIGHT】** , to activate backlight for 10 seconds when powered with batteries. The setting will be saved, the backlight will change from high – soft - off in loop.
- When an alarm goes off, press any button to stop the alarm or press **【SNOOZE/LIGHT】**

to enter into snooze mode. Alarm will be activated again after 5 minutes.

- Press and hold **【ALERTS】** to enter into alerts setting mode.

## **B. TIME SETTING**


- In standard mode, press and hold the **【SET】** button for 3 seconds. The weather station will enter into time setting mode and the information to be set will flash. The menu sequence is: language selection → 12/24h → hour → minute → year → DM/MD → month → date → C/F → weather → confirm and exit.


**During setting, only the setting figure will display, other parts will be invisible.**

- Press **【CHI/▲】** or **【▼】** to change the setting item to the desired values.
- Weekday and month can be displayed in 5 languages: English, Spanish, French, Italian, German or Dutch.
- The setting will be automatically confirmed if there is no operation within 20 seconds.
- Press the **【SET】** button to confirm the setting.

## **C. ALARM and SNOOZE**

- Press the **【ALARM】** button to switch between 2 alarm times.
- Press and hold the **【ALARM】** button to enter alarm setting mode.
- In alarm setting mode, press the **【CHI/▲】** button to open or close alarm.
- The information to be set will flash. The setting sequence is: Alarm1 On/Off (if ON: Alarm1 Hour- Alarm1 Minute) - Alarm2 On/Off (if ON: Alarm2 Hour- Alarm2 Minute) - Exit.
- Press **【CHI/▲】** or **【▼】** to change the item to the desired values.
- Press **【Snooze/Light】** to save the setting and then exit. The backlight will light for 10 seconds.
- The setting will be automatically confirmed if there is no operation within 20 seconds.
- The alarm sound will last for 1 minutes, and will change as following:

0-20 seconds: 2 beeps per second and display as 

21-40 seconds: 4 beeps per second and display as 

> 40 seconds: Keeps beeping and display as 

- After 1 minute, the alarm is cancelled automatically.
- When the alarm sounds, press the **【Snooze/Light】** button to activate the Snooze function for 5 minutes (the snooze icon “ZZ” will appear on the display) or press any other button to stop the alarm sound. Alarm will be activated again after 24 hours.

- To fully deactivate the alarm, press the **【Alarm】** button in standard mode.

#### **D. MEMORY / HEAT INDEX / DEW POINT**

- In normal time display mode, press the **【MEM】** button to check the indoor and outdoor temperature and humidity, the record sequence is : Indoor/outdoor maximum temperature & humidity → Indoor/outdoor minimum temperature & humidity → Heat index → Dew Point
- The maximum/minimum records will be cleared automatically at 00:00 every day. You can also clear the records manually by holding the **【MEM】** button in time display mode. When you press the **【MEM】** button again, MAX and MIN value will be same as current Temperature and humidity value.
- The heat index, also known as the apparent temperature, is what the temperature feels like to the human body when relative humidity is combined with the air temperature. This has important effects for the human body's comfort.







Heat Index	Level	Notes
27–32 °C	Attention	Easy to get tired in the environment
32–41 °C	High Attention	Easy to get sunstroke, muscle spasm or heat exhaustion
41–54 °C	Danger	High chance to get sunstroke, muscle spasm or heat exhaustion
>54 °C	High Danger	Extremely high chance to get sunstroke, muscle spasm or heat exhaustion

- The dew point temperature is the temperature at which the air will get fogging.

#### **E. OUTDOOR TEMPERATURE AND HUMIDITY**



The weather station will automatically receive signals from the external sensor after powering on, showing outdoor temperature and humidity.

#### **F. WEATHER FORECAST**

<b>WEATHER ICON</b>						
<b>Description</b>	Sunny	Partly cloudy	Cloudy	Rainy	Very rainy	Snowy

The weather forecast will be the last setting to flash. You need to indicate the current weather condition.

- You will first see the “sun” icon flash. You can change this setting by pressing the **【▼】** button at the back of the unit to select a different weather condition (cloudy, rainy...).
- Confirm the current weather condition by pressing the **【SET】** button.

The weather forecast is based on an hourly calculation of the temperature and humidity and the built-in atmospheric pressure sensor which predicts the weather conditions for the next 12 hours with 70-75% accuracy. The arrow UP / Down Icon besides the FORECAST is an indicator for atmospheric pressure value.  UP means air pressure is going up,  Down means air pressure is going down. When pressure is steady, no arrow icon will be shown.

### **G. COMFORT LEVEL INDEX**


The comfort level displays 3 statuses : DRY, COMFORT, WET

Comfort Level	Humidity Range
Dry	1-39%
Comfort	40-70%
Wet	71-99%

### **H. ALERTS SETTING**

- In normal time display mode, press and hold the **【ALERTS】** button for 2 seconds to enter the alert setting mode.
- Press the **【ALERTS】** button to turn ON/OFF the temperature and alert function and check the records.
- The setting sequence is: indoor high temperature alert on/off → indoor high temperature value → indoor low temperature alert on/off → indoor low temperature value → indoor high humidity alert on/off → indoor high humidity value → indoor low humidity alert on/off → indoor low humidity value → outdoor CH1/2/3 high temperature alert on/off → outdoor CH1/2/3 high temperature value → outdoor CH1/2/3 low temperature alert on/off → outdoor CH1/2/3 low temperature value → outdoor CH1/2/3 high humidity alert on/off → outdoor CH1/2/3 high humidity value → outdoor CH1/2/3 low humidity alert on/off → outdoor CH1/2/3 low humidity value → confirm and exit
- Press the **【CHI/▲】** button to increase by 1 step per second; press and hold it for fast increase by 8 steps per second. Press the **【▼】** button to decrease by 1 step per second; press and hold it for fast decrease by 8 steps per second.



- When the temperature alert has been turned off,  will be shown.
- The setting will be automatically confirmed if there is no operation within 20 seconds.

## 5. SAFETY INSTRUCTIONS

- The product must not be dismantled or modified in any way.
- The main unit must not be exposed to rain or moisture.
- The product is not intended to be used as a reference thermometer and we will not be held liable for any damage which may result from inaccurate readings.
- The battery should be removed if the product is not to be used for an extended period, otherwise the battery might leak and damage the product. Never leave discharged batteries in the battery compartment.
- Changing the battery on the weather station erases the saved information.
- Do not clean any part of the product with benzene, thinner or other solvent chemicals. When necessary, clean it with a soft cloth.
- Never immerse the product in water. This will damage the product.
- Do not subject the product to extreme force, shock, or fluctuations in temperature or humidity.
- Do not mix new and old batteries or batteries of different types.
- Do not dispose of this product as unsorted municipal waste. Collection of such waste separately for special treatment is necessary.

## 6. SUPPORT

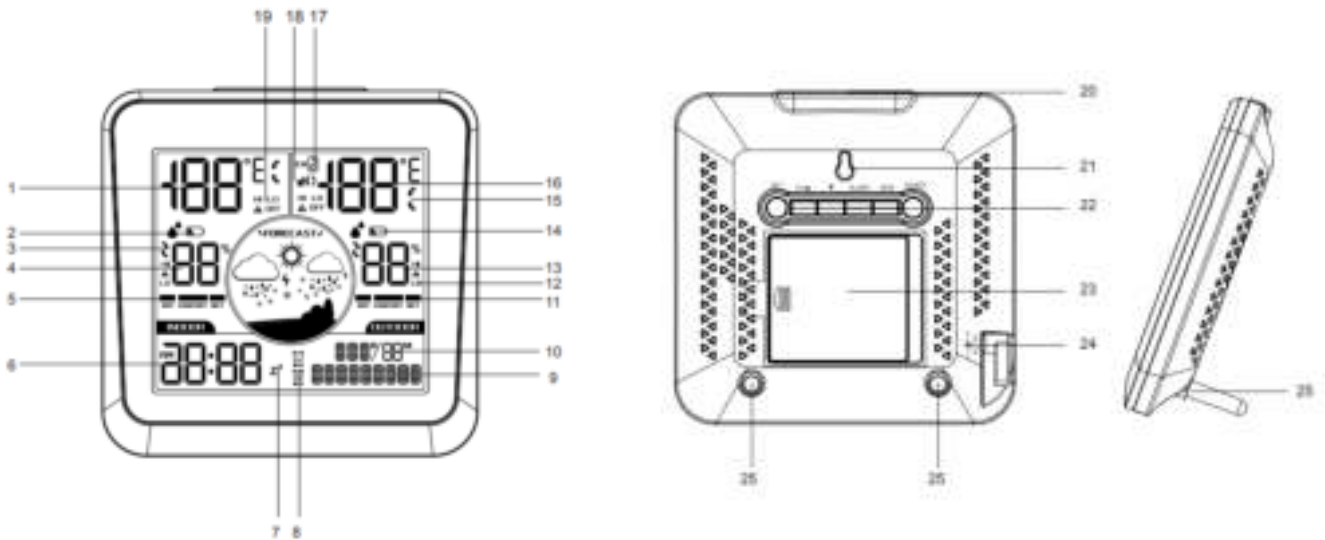
For more information, spare parts, technical questions and return requests concerning this product, you should contact [support@guardo.be](mailto:support@guardo.be).

## 7. GUARANTEE

Copyright © Guardo. Guardo is a registered trademark of TE-Group NV. The Guardo brand stands for superior product quality and outstanding customer service. That is why Guardo warrants this product against all defects in material and workmanship for a period of two (2) years from the date of original purchase of the product. The conditions of this guarantee and the extent of responsibility of Guardo under this guarantee can be downloaded from our website: [www.guards.be](http://www.guards.be)

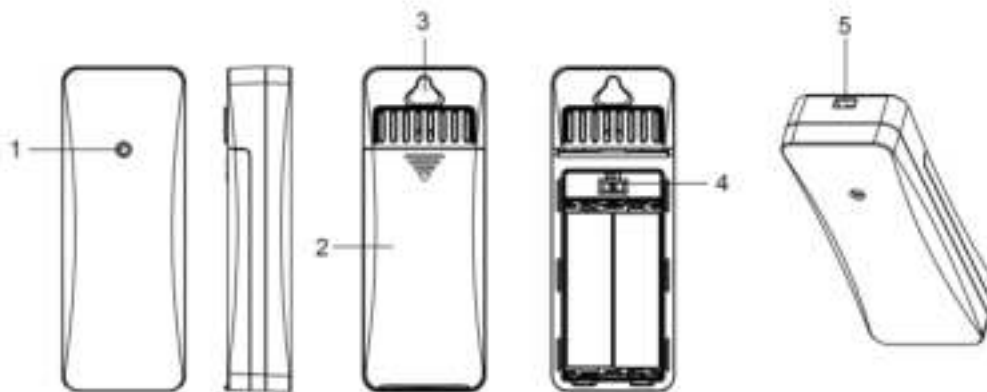
## 1. ONDERDELEN & TOETSEN

### HOOFDEENHEID



- |                                                         |                                                          |                                                                                                 |                                                                            |
|---------------------------------------------------------|----------------------------------------------------------|-------------------------------------------------------------------------------------------------|----------------------------------------------------------------------------|
| 1. Binnentemperatuur                                    | 8. Alarmpictogram                                        | 15. Temperatuurtrends                                                                           | 22. Toetsen: 【 SET 】<br>【 CHI/▲ 】 【 ▼ 】<br>【 ALARM 】 【 MEM 】<br>【 ALERTS 】 |
| 2. Indicator lage<br>batterijcapaciteit<br>hoofdeenheid | 9. Weekdag                                               | 16. Temperatuurgegevens<br>buitensensor                                                         | 23. Deksel<br>batterijcompartiment                                         |
| 3. Vochtigheidstrends                                   | 10. Datum                                                | 17. Kanaalnummer<br>buitensensor                                                                | 24. DC IN aansluiting                                                      |
| 4. Binnenvochtigheid                                    | 11. Comfortindicator voor<br>verschillende kanalen       | 18. Automatisch<br>wisselend pictogram<br>voor gemeten<br>gegevens van<br>verschillende kanalen | 25. Metalen standaards                                                     |
| 5. Comfortindicator<br>binnen                           | 12. HI/LOW-<br>waarschuwing<br>vochtigheid               | 19. HI/LOW-<br>waarschuwing<br>temperatuur                                                      |                                                                            |
| 6. Tijd (12/24 uur)                                     | 13. Vochtigheidsgegevens<br>buitensensor                 | 20. Snooze / Licht-knop                                                                         |                                                                            |
| 7. Snooze-pictogram                                     | 14. Indicator lage<br>batterijcapaciteit<br>buitensensor | 21. Ophanggat                                                                                   |                                                                            |

## BUITENSOR



1. LED indicator
2. Batterijcompartiment
3. Ophanggat
4. Kanaalschakelaar
5. Opening voor ophangkoord

## 2. INSTALLATIE

### HOOFDEENHEID

- Verwijder het deksel van het batterijcompartiment (23).
- Plaats 3 x AAA-batterijen, rekening houdend met de juiste polariteit (+ en-) (optioneel, voor gebruik zonder DC-adapter).
- Neem de metalen standaards uit het batterijcompartiment en monteer ze in de metalen standaardgaten (25).
- Verbind de adapter met de hoofdeenheid (22) en een stopcontact.
- Sluit het deksel van het batterijcompartiment.

De hoofdeenheid kan op een horizontaal oppervlak worden geplaatst met behulp van de metalen standaards (25) of kan aan een muur worden gehangen met behulp van het ophanggat (21).

## BUITENSOR

1. Verwijder het deksel van het batterijcompartiment en kies het kanaal (1,2,3) met behulp van de kanaalschakelaar (4).
2. Plaats 2 x AA-batterijen , rekening houdend met de juiste polariteit (+ en-). De rode LED indicator (1) knippert één keer.
3. Sluit het deksel van het batterijcompartiment.

De sensor kan met behulp van het ophanggat (3) aan de muur worden gehangen.

### Opmerkingen:

- Plaats uw sensor aan een muur die gericht is op het noorden of op een schaduwrijke plek. Onder een dakrand of afdak heeft de voorkeur.
- Het maximale draadloze zendbereik naar het weerstation is tot 50 meter in open lucht, muren of vloeren niet meegerekend.
- Plaats uw sensor verticaal, zodat vocht goed kan weglopen. Vermijd direct zonlicht en zorg voor een goede ventilatie van de sensor.

## 3. WERKING

- Nadat de hoofdeenheid op de stroom wordt aangesloten (of de batterijen worden geplaatst), wordt het toestel automatisch aangeschakeld. De hoofdeenheid begint de binnentemperatuur / -vochtigheid te detecteren.
- Om signalen van de buitensensor te ontvangen, moeten beide toestellen op hetzelfde kanaal zijn ingesteld. Als u bijvoorbeeld kanaal 2 voor de sensor heeft gekozen, dient u ook kanaal 2 voor de hoofdeenheid te selecteren. Selecteer het gewenste kanaal voor de hoofdeenheid met de 【CHI / ▲】 knop aan de achterkant van het toestel.
- Wanneer u zowel het weerstation als de buitensender beiden op hetzelfde kanaal heeft gezet, dient u de 【CHI / ▲】 knop ingedrukt te houden tot u een bieptoon hoort en de 3 streepjes op het scherm beginnen te knipperen. De buitensensor en het weerstation zullen nu met elkaar verbinden, dit kan tot 3 minuten duren.
- Als er binnen 3 minuten geen signaal wordt ontvangen, verdwijnt de indicatie. De automatische hersynchronisatie van het signaal wordt het volgende uur geactiveerd totdat het signaal wordt ontvangen en de buitensensorgegevens worden weergegeven op de hoofdeenheid.

## Opmerkingen:

- Het weerstation ondersteunt een verbinding met maximaal 3 sensoren. Zorg ervoor dat elke sensor is toegewezen aan een ander kanaalnummer. Druk in de standaardmodus op de **【CHI/ ▲】** knop om te schakelen tussen de informatie van de 3 kanalen.
- De afstand tussen het apparaat en de zender moet minimaal 1,5 ~ 2 meter zijn, uit de buurt van storende bronnen zoals computermonitors of tv-toestellen. De hoofdeenheid mag niet dicht bij metalen raamkozijnen staan. Gebruik geen andere elektrische producten zoals koptelefoons of luidsprekers die op dezelfde signaalfrequentie werken.

## TOETSEN

- 【SET】** Ingedrukt houden om de instelmodus te openen  
Druk om de volgende instellingen in te voeren: taal / piep / 12/24-uur formaat / tijd / datum / °C/ °F formaat  
Druk om een instelling te bevestigen
- 【CHI/▲】** Druk om kanaal 1/2/3 te kiezen  
Druk in de instelmodus om een instelling te wijzigen naar de gewenste waarden
- 【▼】** Druk in de instelmodus om een instelling te wijzigen naar de gewenste waarden
- 【MEM】** Druk om dagelijks max. record / min. record / warmte-index / dauwpunt te bekijken
- 【ALARM】** Ingedrukt houden om de Alarm-instelmodus te openen  
Druk in de Alarm-instelmodus om alarm(en) in te stellen  
Druk om de 2 alarminstellingen te bekijken
- 【SNOOZE/LIGHT】** Druk om de achtergrondverlichting gedurende 10 seconden te activeren wanneer het toestel op batterijen werkt  
Druk om het helderheidsniveau te selecteren: hoog - laag - uit bij wanneer het toestel op de stroom is aangesloten via de adapter  
Druk om een alarm te sluimeren. Het alarm gaat na 5 minuten weer af.  
Druk op een willekeurige knop om het alarm te stoppen.
- 【ALERTS】** Ingedrukt houden om de Waarschuwing-instelmodus te openen  
Druk in de Waarschuwing-instelmodus op waarschuwing(en) te (de)activeren

## **4. GEDETAILEERDE WERKING EN FUNCTIES**




### **A. STANDAARD MODUS**

- Houd de **【SET】** knop ingedrukt om de instellingsmodus te openen voor taal, 12/24 uur, C / F, tijd.
- Druk op de **【CHI / ▲】** knop om te schakelen tussen kanaal 1/2/3 en snel te verhogen tijdens het instellen.
- Druk op de **【MEM】** knop om de Max-Min-record – Warmte-index - Dauwpunt te bekijken en af te sluiten.
- Druk op de **【ALARM】** knop om de status van de 2 alarmtijden te zien
- Houd **【ALARM】** ingedrukt om de instelmodus voor de alarmtijd te openen
- Druk op **【SNOOZE / LIGHT】** om de achtergrondverlichting gedurende 10 seconden te activeren wanneer het toestel op batterijen werkt. De instelling wordt opgeslagen, de achtergrondverlichting verandert in een lus van hoog - zacht - uit.
- Als een alarm afgaat, drukt u op een willekeurige knop om het alarm te stoppen of drukt u op **【SNOOZE / LIGHT】** om de sluimermodus te openen. Het alarm wordt na 5 minuten weer geactiveerd.
- Houd **【ALERTS】** ingedrukt om de instelmodus voor waarschuwingen te openen.

### **B. TIJDINSTELLING**

- Houd in de standaardmodus de **【SET】** knop gedurende 3 seconden ingedrukt. Het weerstation opent de tijdinstellingsmodus en de in te stellen informatie knippert. De menuvolgorde is: taalkeuze → 12 / 24u → uur → minuut → jaar → DM / MD → maand → datum → C / F → weer → bevestigen en afsluiten.
- Tijdens het instellen wordt alleen de in te stellen informatie weergegeven, andere delen zijn onzichtbaar.
- Druk op **【CHI / ▲】** of **【▼】** om het instellingsitem naar de gewenste waarden te veranderen.
- Weekdag en maand kunnen in 5 talen worden weergegeven: Engels, Spaans, Frans, Italiaans, Duits of Nederlands.
- De instelling wordt automatisch bevestigd als er binnen 20 seconden geen handeling plaatsvindt.
- Druk op de **【SET】** knop om de instelling te bevestigen.

### C. ALARM EN SLUIMERFUNCTIE

- Druk op de **【ALARM】** knop om tussen 2 alarmtijden te wisselen.
- Houd de **【ALARM】** knop ingedrukt om de alarminstellingsmodus te openen.
- Druk in de alarminstellingsmodus op de **【CHI / ▲】** knop om het alarm te openen of te sluiten.
- De in te stellen informatie gaat knipperen. De volgorde van instellingen is: Alarm1 Aan / Uit (indien AAN: Alarm1 uur- Alarm1 minuut) - Alarm2 Aan / Uit (indien AAN: Alarm2 uur- Alarm2 minuut) – bevestigen en afsluiten.
- Druk op **【CHI / ▲】** of **【▼】** om het instellingsitem naar de gewenste waarden te veranderen.
- Druk op **【 Snooze / Light】** om de instelling op te slaan en af te sluiten. De achtergrondverlichting blijft 10 seconden aan.
- De instelling wordt automatisch bevestigd als er binnen 20 seconden geen handeling plaatsvindt.
- Het alarmgeluid duurt 1 minuut en verandert als volgt:
  - 0-20 seconden: 2 piepjes per seconde en weergave als 
  - 21-40 seconden: 4 piepjes per seconde en weergegeven als 
  - 40 seconden: blijft piepen en wordt weergegeven als 
- Na 1 minuut wordt het alarm automatisch geannuleerd.
- Als het alarm afgaat, drukt u op de **【Snooze / Light】** knop om de sluimerfunctie gedurende 5 minuten te activeren (het sluimerpictogram "ZZ" verschijnt op het display) of drukt u op een andere knop om het alarmgeluid te stoppen. Het alarm wordt na 24 uur weer geactiveerd.
- Om het alarm volledig te deactiveren, drukt u in de standaardmodus op de **【Alarm】** knop.

### D. GEHEUGEN / WARMTE-INDEX / DAUWPUNT

- Druk in de normale tijdweergavemodus op de **【MEM】** knop om de binnen- en buitentemperatuur en luchtvochtigheid te controleren, de menuvolgorde is: Maximale temperatuur en vochtigheid binnen / buiten → Minimale temperatuur en vochtigheid binnen / buiten → Warmte-index → Dauwpunt
- De maximum / minimum data worden elke dag automatisch om 00:00 uur gewist. U kunt de data ook handmatig wissen door de **【MEM】** knop ingedrukt te houden in de tijdweergavemodus. Als u nogmaals op de **【MEM】** knop drukt, zijn de MAX- en MIN-

waarden hetzelfde als de huidige temperatuur- en vochtigheidswaarden.

- De warmte-index, ook bekend als de gevoelstemperatuur, is hoe de temperatuur aanvoelt voor het menselijk lichaam wanneer relatieve vochtigheid wordt gecombineerd met de luchttemperatuur. Dit heeft belangrijke gevolgen voor het comfort van het menselijk lichaam.

Warmte-index	Niveau	Opmerking
27–32 °C	Aandacht	Gemakkelijk om moe te worden in de omgeving
32–41 °C	Hoge aandacht	Gemakkelijk om een zonnesteek, spierspasmen of hitte-uitputting te krijgen
41–54 °C	Gevaar	Grote kans op een zonnesteek, spierspasmen of hitte-uitputting
>54 °C	Hoog gevaar	Extreem grote kans op een zonnesteek, spierspasmen of hitte-uitputting

- De dauwpunttemperatuur is de temperatuur waarbij de lucht mistig wordt.

#### **E. BUITENTEMPERATUUR EN VOCHTIGHEID**

Het weerstation ontvangt automatisch signalen van de externe sensor na het inschakelen, en geeft de buitentemperatuur en vochtigheid weer.

#### **F. WEERSVERWACHTING**





Icoon						
Beschrijving	Zon	Gedeeltelijk bewolkt	Bewolkt	Regen	Veel regen	Sneeuw

De weersvoorspelling is de laatste instelling die knippert. U moet de huidige weersomstandigheden aangeven.

- U zult eerst het pictogram “zon” zien knipperen. U kunt deze instelling wijzigen door op de 【▼】 knop aan de achterkant van het apparaat te drukken om een andere weersomstandigheid te selecteren (bewolkt, regenachtig...).
- Bevestig de huidige weersomstandigheden door op de 【SET】 knop te drukken.

De weersvoorspelling is gebaseerd op een berekening van de temperatuur en vochtigheid en




de ingebouwde atmosferische druksensor die de weersomstandigheden voor de komende 12 uur voorspelt met een nauwkeurigheid van 70-75%. Het pijl-omhoog  / omlaag  pictogram naast FORECAST is een indicator voor de waarde van de atmosferische druk. Omhoog  betekent dat de luchtdruk stijgt, omlaag  betekent dat de luchtdruk daalt. Als de druk constant is, wordt er geen pictogram weergegeven.

### **G. INDEX VAN HET COMFORTNIVEAU**

Het comfortniveau geeft 3 statussen weer: DROOG, COMFORT, NAT

Comfortniveau	Vochtigheidsbereik
Droog	1-39%
Comfort	40-70%
Nat	71-99%

### **H. WAARSCHUWINGSINSTELLING**

- Houd in de normale tijdweergavemodus de **【ALERTS】** knop 2 seconden ingedrukt om de waarschuwing-instellingsmodus te openen.
- Druk op de **【ALERTS】** knop om de temperatuur- en waarschuwingfunctie AAN / UIT te zetten en de gegevens te controleren.
- De volgorde van de instellingen is: waarschuwing hoge temperatuur binnenshuis aan / uit → waarde hoge temperatuur binnenshuis → waarschuwing lage temperatuur binnenshuis aan / uit → waarde lage temperatuur binnenshuis → waarschuwing hoge vochtigheid binnenshuis aan / uit → hoge vochtigheid binnenshuis → waarschuwing lage vochtigheid binnenshuis aan / uit → lage vochtigheid binnenshuis → waarschuwing CH1 / 2/3 hoge buitentemperatuur aan / uit → waarde hoge buitentemperatuur CH1 / 2/3 → waarschuwing CH1 / 2/3 lage buitentemperatuur aan / uit → waarde lage buitentemperatuur CH1 / 2/3 → waarschuwing CH1 / 2/3 hoge luchtvochtigheid aan / uit → waarde hoge buitenvochtigheid CH1 / 2/3 → waarschuwing CH1 / 2/3 lage luchtvochtigheid aan / uit → waarde lage buitenvochtigheid CH1 / 2/3 → bevestigen en afsluiten
- Druk op de **【CHI / ▲】** knop om met 1 stap per seconde te verhogen; houd de knop ingedrukt om snel met 8 stappen per seconde te verhogen. Druk op de **【▼】** knop om met 1 stap per seconde te verlagen; houd de knop ingedrukt om snel met 8 stappen per seconde te verlagen.
- Als het temperatuuralarm is uitgeschakeld, wordt  weergegeven.
- De instelling wordt automatisch bevestigd als er binnen 20 seconden geen handeling plaatsvindt.

## **5. VEILIGHEIDSINSTRUCTIES**

- Het product mag op geen enkele manier worden gedemonteerd of gewijzigd.
- De hoofdeenheid mag niet worden blootgesteld aan regen of vocht.
- Het product is niet bedoeld om als referentiethermometer te worden gebruikt en wij kunnen niet aansprakelijk worden gesteld voor enige schade die het gevolg kan zijn van onnauwkeurige metingen.
- De batterijen moeten worden verwijderd als het product gedurende langere tijd niet wordt gebruikt, anders kunnen deze gaan lekken en het product beschadigen. Laat nooit lege batterijen in het batterijcompartiment liggen.
- Door het vervangen van de batterijen van het weerstation wordt de opgeslagen informatie gewist.
- Maak geen enkel onderdeel van het product schoon met benzeen, thinner of andere oplosmiddelen. Reinig indien nodig met een zachte doek.
- Dompel het product nooit onder in water. Dit zal het product beschadigen.
- Stel het product niet bloot aan extreme kracht, schokken of schommelingen in temperatuur of vochtigheid.
- Gebruik geen nieuwe en oude batterijen of batterijen van verschillende typen door elkaar.
- Gooi dit product niet bij het gewone huisvuil. Inzameling van dergelijk afval voor een speciale behandeling is noodzakelijk.

## **6. KLANTENDIENST**

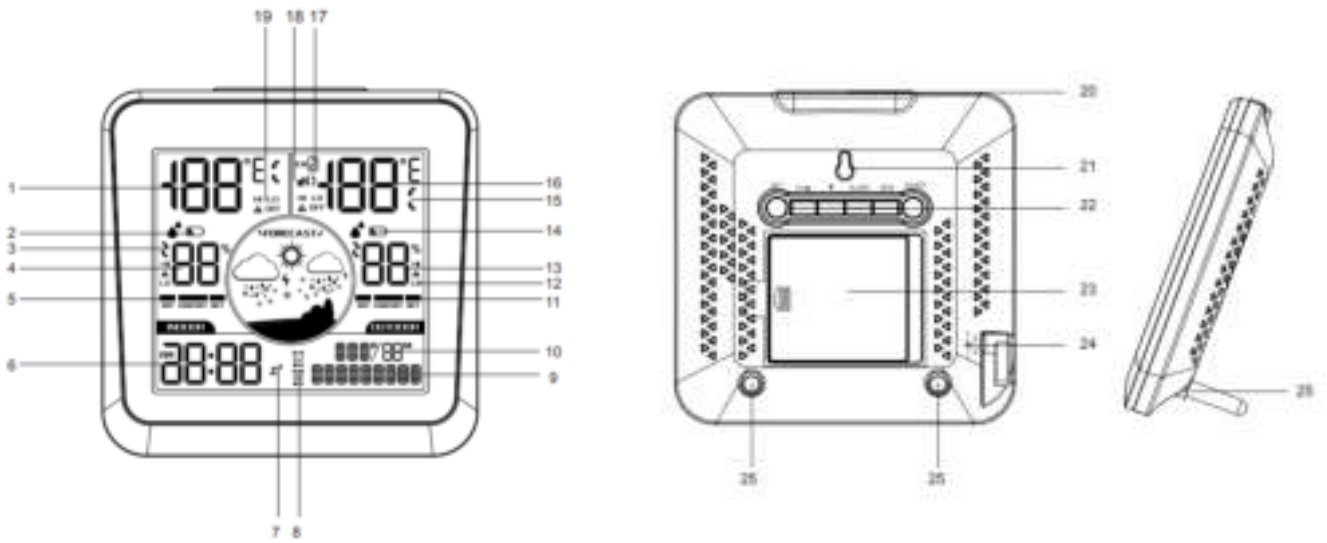
Voor meer informatie, reserveonderdelen, technische vragen en retouraanvragen betreffende dit product, dient u contact op te nemen met [support@guardo.be](mailto:support@guardo.be).

## **7. GARANTIE**

Copyright © Guardo. Guardo is een geregistreerd handelsmerk van TE-Group NV. Het merk Guardo staat voor superieure productkwaliteit en uitstekende klantenservice. Daarom garandeert Guardo dit product tegen alle defecten in materiaal en vakmanschap gedurende een periode van twee (2) jaar vanaf de oorspronkelijke aankoopdatum van het product. De voorwaarden van deze garantie en de omvang van de verantwoordelijkheid van Guardo onder deze garantie kunnen gedownload worden op onze website: [www.guardo.be](http://www.guardo.be)

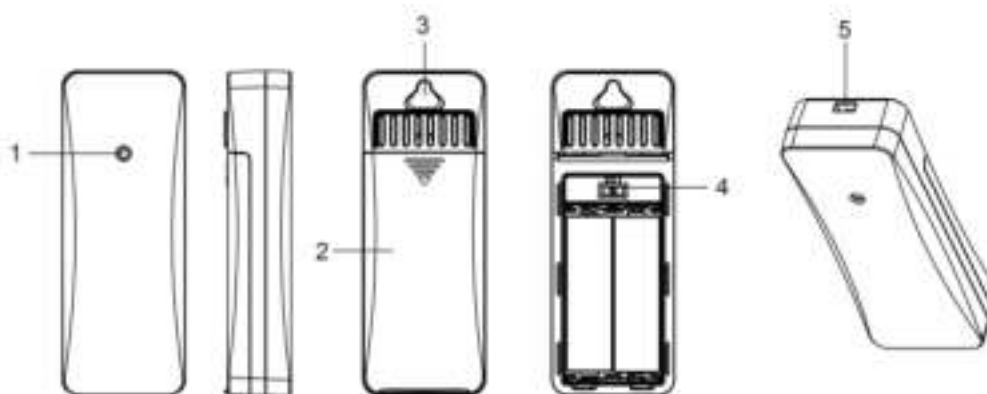
# 1. PIÈCES ET BOUTONS

## UNITÉ PRINCIPALE



- |                                                     |                                                    |                                                                                 |                                          |
|-----------------------------------------------------|----------------------------------------------------|---------------------------------------------------------------------------------|------------------------------------------|
| Température intérieure                              | Icône d'alarme                                     | Tendances de température                                                        | Boutons: 【 SET 】                         |
| Indicateur de batterie faible de l'unité principale | Jour de la semaine                                 | Données de température du capteur extérieur                                     | 【 CHI/▲ 】 【 ▼ 】                          |
| Tendances d'humidité                                | Date                                               | N ° de canal pour le capteur extérieur                                          | 【 ALARM 】 【 MEM 】                        |
| Humidité intérieure                                 | Indicateur de confort pour différents canaux       | Icône de défilement automatique pour les données mesurées par différents canaux | 【 ALERTS 】                               |
| Indicateur de confort intérieur                     | Alerte HI / LOW pour l'humidité                    | Alerte HI / LOW pour la température                                             | 23. Couverture du compartiment des piles |
| Heure (12 / 24h)                                    | Données d'humidité du capteur extérieur            | Bouton Snooze / Lumière                                                         | 24. Connexion DC IN                      |
| Icône Snooze                                        | Indicateur de batterie faible du capteur extérieur | Trou de suspension                                                              | 25. Supports en métal                    |

## CAPTEUR EXTÉRIEUR



Indicateur LED

Compartiment à piles

Trou de suspension

Commutateur de canal

Trou de suspension de corde

## 2. INSTALLATION

### UNITÉ PRINCIPALE

- Retirez le couvercle du compartiment à piles (23).
- Insérez 3 piles AAA en respectant la polarité (+ et -) (en option, à utiliser sans adaptateur CC).
- Retirez du compartiment à piles, assemblez-les dans les trous pour les supports métalliques (25).
- Branchez l'adaptateur avec l'unité principale (22) et une prise de courant.
- Fermez le couvercle du compartiment des piles.
- L'unité principale peut être placée sur une surface horizontale à l'aide des supports métalliques (25) ou elle peut être accrochée à un mur à l'aide du trou de suspension (21).

## **CAPTEUR EXTÉRIEUR**

- Retirez le couvercle du compartiment à piles, choisissez le canal (1, 2, 3) en utilisant le commutateur de canal (4).
- Insérez 2 piles AA en respectant la polarité (+ et -). L'indicateur LED rouge (1) clignotera une fois.
- Fermez le couvercle du compartiment des piles.
- Le capteur peut être accroché au mur à l'aide du trou de suspension (3).

### **Remarques:**

- Montez votre capteur sur un mur orienté au nord ou dans une zone ombragée. Sous un avant-toit ou un rail de pont est préférable.
- La portée de transmission sans fil maximale vers la station météo est jusqu'à 50 mètres en plein air, murs ou planchers non compris.
- Montez votre capteur en position verticale pour permettre à l'humidité de s'écouler correctement. Placez-le à l'écart de la lumière directe du soleil et assurez-vous que le capteur est bien ventilé.

## **3. FONCTIONNEMENT**

- Après avoir connecté l'unité principale à l'alimentation (ou après avoir installé les piles), l'unité est automatiquement activée. L'unité principale commencera à détecter la température / l'humidité intérieure.
- Pour recevoir les signaux du capteur extérieur, les deux appareils doivent être réglés sur le même canal. Par exemple, si vous avez choisi le canal 2 pour le capteur, vous devez également sélectionner le canal 2 pour l'unité principale. Sélectionnez le canal souhaité pour l'unité principale en utilisant la touche **【CHI / ▲】** à l'arrière de l'unité.
- Une fois que vous avez réglé la station météo et le capteur extérieur sur le même canal, maintenez la touche **【CHI / ▲】** enfoncée jusqu'à ce que vous entendiez un bip et que les 3 tirets à l'écran se mettent à clignoter. Le capteur extérieur et la station météo vont maintenant se connecter l'un à l'autre, cela peut prendre jusqu'à 3 minutes.
- Si aucun signal n'est reçu dans les 3 minutes, le signal de l'antenne réceptrice s'arrête. La resynchronisation automatique du signal sera activée l'heure suivante jusqu'à ce que le signal soit reçu et que les données du capteur extérieur soient affichées sur l'unité principale.

### **Remarques:**

- La station météo prend en charge une connexion avec jusqu'à 3 capteurs. Assurez-vous

que chaque capteur est attribué à un numéro de canal différent. En mode standard, appuyez sur la touche **【CHI / ▲】** pour basculer entre les informations des 3 canaux.

- La distance entre l'unité principale et l'émetteur doit être d'au moins 1,5 à 2 mètres, à l'écart de toute source d'interférence telle que des moniteurs d'ordinateur ou des téléviseurs. L'unité principale ne peut pas se tenir près des cadres de fenêtres métalliques. Veuillez ne pas utiliser d'autres produits électriques tels que des écouteurs ou des haut-parleurs fonctionnant sur la même fréquence de signal.

## **BOUTONS**

- 【SET】** Appuyez et maintenez enfoncé pour accéder au mode de réglage
- Appuyez pour entrer les réglages suivants: langue / bip / format 12/24h / heure / date / format ° C / ° F
- Appuyez pour confirmer un réglage
- 【CHI / ▲】** Appuyez pour choisir le canal 1/2/3
- En mode réglage, appuyez pour changer le réglage aux valeurs souhaitées
- 【▼】** En mode réglage, appuyez pour changer le réglage aux valeurs souhaitées
- 【MEM】** Appuyez pour afficher l'enregistrement max. et min. / Indice de chaleur / Point de rosée
- 【ALARME】** Appuyez et maintenez enfoncé pour accéder au mode de réglage de l'alarme
- En mode de réglage de l'alarme, appuyez pour régler la (ou les) alarme(s)
- Appuyez pour afficher les 2 réglages d'alarme
- 【SNOOZE / LIGHT】** Appuyez pour activer le rétroéclairage pendant 10 secondes lorsque l'appareil est alimenté par des piles
- Appuyez pour sélectionner le niveau de luminosité: élevé - bas - désactivé lorsque l'appareil est alimenté avec un adaptateur
- Appuyez pour répéter une alarme. L'alarme se déclenchera à nouveau après 5 minutes. Appuyez sur n'importe quel bouton pour arrêter l'alarme.
- 【ALERTS】** Maintenez enfoncée pour accéder au mode de réglage d'alerte

En mode de réglage d'alerte, appuyez pour (dés)activer la (ou les) alarme(s)

#### 4. FONCTIONNEMENT ET FONCTIONS DÉTAILLÉS

##### A. MODE STANDARD




- Appuyez sur le bouton **【SET】** et maintenez-le enfoncé pour accéder au mode de réglage de la langue, 12/24 h, C / F, mode de réglage de l'heure.
- Appuyez sur la touche **【CHI / ▲】** pour basculer entre les canaux 1/2/3 et augmenter rapidement pendant le réglage.
- Appuyez sur le bouton **【MEM】** pour afficher l'enregistrement Max-Min - Indice de chaleur - Point de rosée et Quitter.
- Appuyez sur le bouton **【ALARM】** pour afficher l'état des 2 heures d'alarme
- Appuyez et maintenez **【ALARM】** pour entrer dans le mode de réglage de l'heure de l'alarme
- Appuyez sur **【SNOOZE / LIGHT】** pour activer le rétroéclairage pendant 10 secondes lorsqu'il est alimenté par des piles. Le réglage sera sauvegardé, le rétroéclairage passera de haut - soft - off en boucle.
- Lorsqu'une alarme se déclenche, appuyez sur n'importe quel bouton pour arrêter l'alarme ou appuyez sur **【SNOOZE / LIGHT】** pour entrer en mode de répétition. L'alarme sera à nouveau activée après 5 minutes.
- Maintenez la touche **【ALERTS】** enfoncée pour entrer en mode de réglage des alertes.

##### B. RÉGLAGE DE L'HEURE

- En mode standard, maintenez la touche **【SET】** enfoncée pendant 3 secondes. La station météo entrera en mode de réglage de l'heure et les informations à régler clignoteront. La séquence du menu est la suivante: sélection de la langue → 12 / 24h → heure → minute → année → DM / MD → mois → date → C / F → météo → confirmer et quitter.
- Pendant le réglage, seul le chiffre de réglage s'affichera, les autres pièces seront invisibles.
- Appuyez sur **【CHI / ▲】** ou **【▼】** pour modifier l'élément de réglage sur les valeurs souhaitées.
- Le jour de la semaine et le mois peuvent être affichés en 5 langues: anglais, espagnol, français, italien, allemand ou néerlandais.
- Le réglage sera automatiquement confirmé s'il n'y a aucune opération dans les 20 sec.

- Appuyez sur le bouton **【SET】** pour confirmer le réglage.

### C. ALARME et SNOOZE

- Appuyez sur le bouton **【ALARM】** pour basculer entre 2 heures d'alarme.
- Appuyez sur le bouton **【ALARM】** et maintenez-le enfoncé pour accéder au mode de réglage de l'alarme.
- En mode de réglage de l'alarme, appuyez sur le bouton **【CHI / ▲】** pour ouvrir ou fermer l'alarme.
- Les informations à régler clignotent. La séquence de réglage est: Alarm1 On / Off (si ON: Alarm1 Hour- Alarm1 Minute) - Alarm2 On / Off (si ON: Alarm2 Hour- Alarm2 Minute) - Quitter.
- Appuyez sur **【CHI / ▲】** ou **【▼】** pour changer l'élément aux valeurs souhaitées.
- Appuyez sur **【 Snooze / Light】** pour enregistrer le paramètre, puis quitter. Le rétroéclairage s'allumera pendant 10 secondes.
- Le réglage sera automatiquement confirmé s'il n'y a aucune opération dans les 20 secondes.
- Le son de l'alarme durera 1 minute et changera comme suit:
  - 0-20 secondes: 2 bips par seconde et affichage comme 
  - 21-40 secondes: 4 bips par seconde et affichage comme 
  - > 40 secondes: émet un bip et s'affiche comme 
- Après 1 minute, l'alarme est automatiquement annulée.
- Lorsque l'alarme retentit, appuyez sur le bouton **【Snooze / Light】** pour activer la fonction Snooze pendant 5 minutes (l'icône de répétition «ZZ» apparaîtra sur l'écran) ou appuyez sur n'importe quel autre bouton pour arrêter le son de l'alarme. L'alarme sera à nouveau activée après 24 heures.
- Pour désactiver complètement l'alarme, appuyez sur le bouton **【Alarme】** en mode standard.

### D. MÉMOIRE / INDICE DE CHALEUR / POINT DE ROSÉE

- En mode d'affichage normal de l'heure, appuyez sur le bouton **【MEM】** pour vérifier la température et l'humidité intérieure et extérieure, la séquence d'enregistrement est: Température et humidité maximales intérieure / extérieure → Température et humidité minimales intérieure / extérieure → Indice de chaleur → Point de rosée
- Les enregistrements maximum / minimum seront effacés automatiquement à 00h00 tous les jours. Vous pouvez également effacer les enregistrements manuellement en



maintenant la touche **【MEM】** enfoncée en mode d'affichage de l'heure. Lorsque vous appuyez à nouveau sur le bouton **【MEM】**, les valeurs MAX et MIN seront identiques aux valeurs de température et d'humidité actuelles.

- L'indice de chaleur, également connu sous le nom de température apparente, correspond à ce que ressent la température pour le corps humain lorsque l'humidité relative est combinée à la température de l'air. Cela a des effets importants sur le confort du corps humain.
- Notes de niveau d'indice de chaleur

27–32 ° C Attention Facile à se fatiguer dans l'environnement

32–41 ° C Haute attention Facilité d'insolation, de spasme musculaire ou d'épuisement dû à la chaleur






41–54 ° C Danger Risque élevé d'insolation, de spasme musculaire ou d'épuisement dû à la chaleur

54 ° C Risque élevé Risque extrêmement élevé d'insolation, de spasme musculaire ou d'épuisement dû à la chaleur

## E. TEMPÉRATURE ET HUMIDITÉ EXTÉRIEURES

La station météo recevra automatiquement les signaux du capteur externe après la mise sous tension, indiquant la température et l'humidité extérieures.

## F. PRÉVISION MÉTÉOROLOGIQUE

ICÔNE MÉTÉO						
Description	Ensoleillé	en partie nuageux	Nuageux	Pluvieux	Très pluvieux	Neigeux

Les prévisions météorologiques seront le dernier paramètre à clignoter. Vous devez indiquer les conditions météorologiques actuelles.

- Vous verrez d'abord l'icône «soleil» clignoter. Vous pouvez modifier ce réglage en appuyant sur le bouton **【▼】** à l'arrière de l'appareil pour sélectionner une condition météorologique différente (nuageux, pluvieux...).
- Confirmez les conditions météorologiques actuelles en appuyant sur le bouton **【SET】**.

Les prévisions météorologiques sont basées sur un calcul horaire de la température et de l'humidité et du capteur de pression atmosphérique intégré qui prédit les conditions météorologiques pour les 12 prochaines heures avec une précision de 70 à 75%. L'icône de flèche HAUT / BAS à côté de PRÉVISION est un indicateur de la valeur de la pression atmosphérique. HAUT signifie que la pression de l'air augmente, BAS signifie que la pression de l'air diminue. Lorsque la pression est stable, aucune icône de flèche ne s'affiche.

## G. INDICE DE NIVEAU DE CONFORT

Le niveau de confort affiche 3 états: SEC, CONFORT, HUMIDE

Plage d'humidité    niveau de confort

Sec                    1-39%

Confort             40-70%

Humide              71-99%

## H. RÉGLAGE DES ALERTES

- En mode d'affichage normal de l'heure, appuyez sur le bouton **【ALERTES】** et maintenez-le enfoncé pendant 2 secondes pour accéder au mode de réglage de l'alerte.
- Appuyez sur le bouton **【ALERTES】** pour activer / désactiver la fonction de température et d'alerte et vérifier les enregistrements.
- La séquence de réglage est la suivante: activation / désactivation de l'alerte de haute température intérieure → valeur de haute température intérieure → alerte de basse température intérieure activée / désactivée → valeur de basse température intérieure → alerte d'humidité élevée intérieure activée / désactivée → valeur d'humidité élevée intérieure → alerte de faible humidité intérieure activée / arrêt → valeur d'humidité basse intérieure → alerte de température élevée CH1 / 2/3 extérieure marche / arrêt → valeur de température élevée CH1 / 2/3 extérieure → alerte de température basse CH1 / 2/3 extérieure activée / désactivée → CH1 / 2/3 extérieur bas valeur de température → alarme de haute humidité CH1 / 2/3 extérieure activée / désactivée → valeur d'humidité élevée CH1 / 2/3 extérieure → alarme de faible humidité CH1 / 2/3 extérieure activée / désactivée → valeur d'humidité basse CH1 / 2/3 extérieure → confirmer et sortir
- Appuyez sur le bouton **【CHI / ▲】** pour augmenter d'un pas par seconde; maintenez-le enfoncé pour une augmentation rapide de 8 pas par seconde. Appuyez sur le bouton **【▼】** pour diminuer d'un pas par seconde; maintenez-le enfoncé pour une diminution rapide de 8 pas par seconde.
- Lorsque l'alerte de température a été désactivée, s'affiche.
- Le réglage sera automatiquement confirmé s'il n'y a pas d'opération dans les 20 secondes.

## **5. INSTRUCTIONS DE SÉCURITÉ**

- Le produit ne doit en aucun cas être démonté ou modifié.
- L'unité principale ne doit pas être exposée à la pluie ou à l'humidité.
- Le produit n'est pas destiné à être utilisé comme thermomètre de référence et nous ne serons pas tenus responsables de tout dommage pouvant résulter de lectures inexactes.
- Les batteries doivent être retirées si le produit ne doit pas être utilisé pendant une période prolongée, sinon les batteries pourraient fuir et endommager le produit. Ne laissez jamais de piles déchargées dans le compartiment à piles.
- Le remplacement des piles de la station météo efface les informations enregistrées.
- Ne nettoyez aucune pièce du produit avec du benzène, un diluant ou tout autre solvant chimique. Si nécessaire, nettoyez-le avec un chiffon doux.
- Ne plongez jamais le produit dans l'eau. Cela endommagerait le produit.
- Ne soumettez pas le produit à une force extrême, à des chocs ou à des fluctuations de température ou d'humidité.
- Ne mélangez pas des piles neuves et anciennes ou des piles de types différents.
- Ne jetez pas ce produit avec les déchets municipaux non triés. La collecte de ces déchets séparément pour un traitement spécial est nécessaire.

## **6. SUPPORT CLIENT**

Pour plus d'informations, pièces de rechange, questions techniques et demandes de retour concernant ce produit, vous devez contacter [support@guardo.be](mailto:support@guardo.be).

## **7. GARANTIE**

Copyright © Guardo. Guardo est une marque déposée de TE-Group NV. La marque Guardo est synonyme de qualité de produit supérieure et de service client exceptionnel. C'est pourquoi Guardo garantit ce produit contre tout défaut de matériau et de fabrication pendant une période de deux (2) ans à compter de la date d'achat d'origine du produit. Les conditions de cette garantie et l'étendue de la responsabilité de Guardo au titre de cette garantie peuvent être téléchargées depuis notre site Internet: [www.guardo.be](http://www.guardo.be)