



## **MegaCluster Laser RGB 600mW DMX IRC**

Ref. nr.: 152.946



INSTRUCTION MANUAL  
GEBRUIKSAANWIJZING  
GEBRAUCHSANLEITUNG  
MANUAL DE INSTRUCCIONES  
MANUEL D'INSTRUCTIONS

V1.0

## ENGLISH

Congratulations to the purchase of this Beamz light effect. Please read this manual thoroughly prior to using the unit in order to benefit fully from all features.

Read the manual prior to using the unit. Follow the instructions in order not to invalidate the warranty. Take all precautions to avoid fire and/or electrical shock. Repairs must only be carried out by a qualified technician in order to avoid electrical shock. Keep the manual for future reference.

- Prior to using the unit, please ask advice from a specialist. When the unit is switched on for the first time, some smell may occur. This is normal and will disappear after a while.
- The unit contains voltage carrying parts. Therefore do NOT open the housing.
- Do not place metal objects or pour liquids into the unit. This may cause electrical shock and malfunction.
- Do not place the unit near heat sources such as radiators, etc. Do not place the unit on a vibrating surface. Do not cover the ventilation holes.
- The unit is not suitable for continuous use.
- Be careful with the mains lead and do not damage it. A faulty or damaged mains lead can cause electrical shock and malfunction.
- When unplugging the unit from a mains outlet, always pull the plug, never the lead.
- Do not plug or unplug the unit with wet hands.
- If the plug and/or the mains lead are damaged, they need to be replaced by a qualified technician.
- If the unit is damaged to such an extent that internal parts are visible, do NOT plug the unit into a mains outlet and DO NOT switch the unit on. Contact your dealer. Do NOT connect the unit to a rheostat or dimmer.
- To avoid fire and shock hazard, do not expose the unit to rain and moisture.
- All repairs should be carried out by a qualified technician only.
- Connect the unit to an earthed mains outlet (220-240Vac/50Hz) protected by a 10-16A fuse.
- During a thunderstorm or if the unit will not be used for a longer period of time, unplug it from the mains. The rule is: Unplug it from the mains when not in use.
- If the unit has not been used for a longer period of time, condensation may occur. Let the unit reach room temperature before you switch it on. Never use the unit in humid rooms or outdoors.
- During operation, the housing becomes very hot. Do not touch it during operation and immediately after.
- To prevent accidents in companies, you must follow the applicable guide lines and follow the instructions.
- Secure the unit with an extra safety chain if the unit is ceiling mount. Use a truss system with clamps. Make sure nobody stands in the mounting area. Mount the effect at least 50cm away from inflammable material and leave at least 1 meter space on every side to ensure sufficient cooling.
- This unit contains high intensity LEDs. Do not look into the LED light to prevent damage to your eyes.
- Do not repeatedly switch the fixture on and off. This shortens the life time.
- Keep the unit out of the reach of children. Do not leave the unit unattended.
- Do not use cleaning sprays to clean switches. The residues of these sprays cause deposits of dust and grease. In case of malfunction, always seek advice from a specialist.
- Only operate the unit with clean hands.
- Do not force the controls.
- If the unit has fallen, always have it checked by a qualified technician before you switch the unit on again.
- Do not use chemicals to clean the unit. They damage the varnish. Only clean the unit with a dry cloth.
- Keep away from electronic equipment that may cause interference.
- Only use original spares for repairs, otherwise serious damage and/or dangerous radiation may occur.
- Switch the unit off prior to unplugging it from the mains and/or other equipment. Unplug all leads and cables prior to moving the unit.
- Make sure that the mains lead cannot be damaged when people walk on it. Check the mains lead before every use for damages and faults!
- The mains voltage is 220-240Vac/50Hz. Check if power outlet match. If you travel, make sure that the mains voltage of the country is suitable for this unit.
- Keep the original packing material so that you can transport the unit in safe conditions



This mark attracts the attention of the user to high voltages that are present inside the housing and that are of sufficient magnitude to cause a shock hazard.



This mark attracts the attention of the user to important instructions that are contained in the manual and that he should read and adhere to.



DO NOT LOOK DIRECTLY INTO THE LENS. This can damage your eyes. Persons who are subject to epileptic attacks should be aware of the effects that this light effect may have on them.

The unit has been certified CE. It is prohibited to make any changes to the unit. They would invalidate the CE certificate and their guarantee!

**NOTE:** To make sure that the unit will function normally, it must be used in rooms with a temperature between 5°C/41°F and 35°C/95°F.



Electric products must not be put into household waste. Please bring them to a recycling centre. Ask your local authorities or your dealer about the way to proceed. The specifications are typical. The actual values can slightly change from one unit to the other. Specifications can be changed without prior notice.

# LASERSAFETY



**Potential laser injury hazard exists with this product! Read these instructions carefully, which includes important information about installation, safe use and service!**



## Caution

- **Avoid direct eye contact with laser light. Never intentionally expose your eyes or others to direct laser light..**
- **This laser product can potentially cause instant eye injury or blindness if laser light directly strikes the eyes.**
- **It is illegal and dangerous to shine this laser into audience areas, where the audience or other personnel could get direct laser beams or bright reflections into their eyes.**
- **It is an offense to shine any laser at aircraft.**
- **There are no user serviceable parts inside the unit. Do not open the housing or attempt any repairs yourself. In the unlikely event your unit may require service, please contact your dealer..**
- **Use of controls or adjustments or performance of procedures other than those specified herein may result in hazardous radiation exposure.**

## **STOP AND READ ALL LASER SAFETY DATA**



Laser Light is different from any other light source with which you may be familiar. The light from this product can potentially cause eye injury if not set up and used properly. Laser light is thousands of times more concentrated than light from any other kind of light source. This concentration of light power can cause instant eye injuries, primarily by burning the retina (the light sensitive portion at the back of the eye). Even if you cannot feel "heat" from a laser beam, it can still potentially injure or blind you or your audience. Even very small amounts of laser light are potentially hazardous even at long distances. Laser eye injuries can happen quicker than you can blink.

It is incorrect to think that because these laser entertainment products split the laser into hundreds of beams or laser beam is scanned out in high speed, that an individual laser beam is safe for eye exposure. This laser product uses dozens of mini Watts of laser power (Class 3B levels internally). Many of the individual beams are potentially hazardous to the eyes.

It is also incorrect to assume that because the laser light is moving, it is safe. This is not true. Nor, do the laser beams always move. Since eye injuries can occur instantly, it is critical to prevent the possibility of any direct eye exposure. In the laser safety regulation, it is not legal to aim Class 3B lasers in areas which people can get exposed. This is true even if it is aimed below people's faces, such as on a dance floor.

- Do not operate laser without first reading and understanding all safety and technical data in this manual.
- Always set up and install all laser effects so that all laser light is at least 3 meters (9.8 feet) above the floor on which people can stand. See section later in this manual.
- After set up, and prior to public use test laser to ensure proper function. Do not use if any defect is detected. Do not use if laser emits only one or two laser beams rather than dozens/hundreds, as this could indicate damage to the diffraction grating optic, and could allow emission of higher laser levels.
- Do not point lasers at people or animals.
- Never look into the laser aperture or laser beams.
- Do not point lasers in areas in which people can potentially get exposed, such as uncontrolled balconies, etc.
- Do not point lasers at highly reflective surfaces such as windows, mirrors and shiny metal. Even laser reflections can be hazardous.
- Never point a laser at aircraft, this is a federal offense.
- Never point un-terminated laser beams into the sky.
- Do not expose the output optic (aperture) to cleaning chemicals.
- Do not use laser if the laser appears to be emitting only one or two beams.
- Do not use laser if housing is damaged or open, or if optics appear damaged in any way.
- Never open the laser housing. The high laser power levels inside of the protective housing can start fires, burn skin and will cause instant eye injury.
- Never leave this device running unattended.
- The operation of a class 3B laser is only allowed if the show is controlled by a skilled and well-trained operator familiar with the data included in this manual.
- The legal requirements for using laser entertainment products vary from country to country. The user is responsible for the legal requirements at the location/country of use.
- Always use appropriate lighting safety cables when hanging lights and effects overhead.

**Please note!** The use in France is only allowed to the professional user and not to the end user. See decision: [www.legifrance.gouv.fr](http://www.legifrance.gouv.fr)

## UNPACKING INSTRUCTION

**CAUTION!** Immediately upon receiving a fixture, carefully unpack the carton, check the contents to ensure that all parts are present, and have been received in good condition. Notify the shipper immediately and retain packing material for inspection if any parts appear damaged from shipping or the package itself shows signs of mishandling. Save the package and all packing materials. In the event that a fixture must be returned to the factory, it is important that the fixture be returned in the original factory box and packing.

Content:

- MegaCluster Laser RGB
- MegaCluster Laser RGB Wireless remote control
- Power Cable
- Manual

If the device has been exposed to drastic temperature fluctuation (e.g. after transportation), do not switch it on immediately. The arising condensation water might damage your device. Leave the device switched off until it has reached room temperature.

## POWER SUPPLY

On the label on the backside of the light effect is indicated on this type of power supply must be connected. Check that the mains voltage corresponds to this, all other voltages than specified, the light effect can be irreparably damaged. The light effect must also be directly connected to the mains and may be used. No dimmer or adjustable power supply.

## INSTALLATION



**CAUTION:** Please consider the respective national norms during the installation! The installation must only be carried out by an authorized employee or dealers!

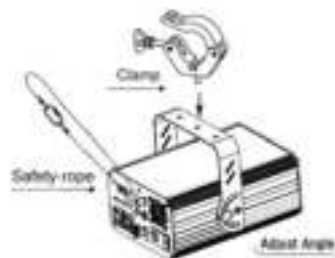


**Attention:**

- The installation of the fixture has to be built and constructed in a way that it can hold 10 times the weight for 1 hour without any harming deformation.
- The installation must always be secured with a secondary safety attachment, e.g. an appropriate catch net. This secondary safety attachment must be constructed in a way that no part of the installation can fall down if the main attachment fails.
- Make sure the area below the installation place is free from unwanted persons during rigging, de-rigging and servicing.
- The operator has to make sure that safety-relating and machine-technical installations are approved by an expert before taking into operation for the first time and after changes before taking into operation another time.
- The operator has to make sure that safety-relating and machine-technical installations are approved by a skilled person once a year.
- The fixture should be installed in the position where persons cannot reach and where persons may walk by or be seated.



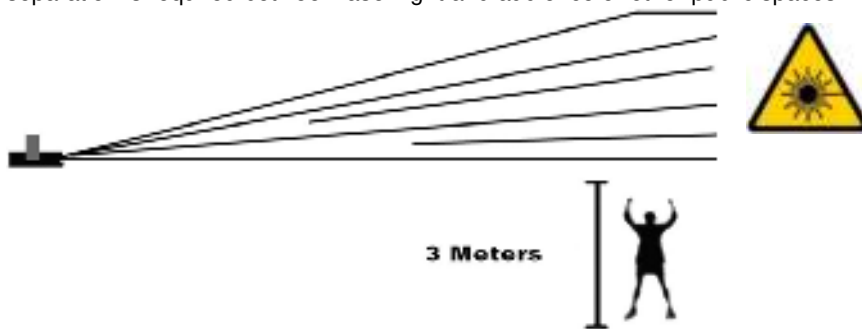
**CAUTION:** When installing the device, make sure there is no highly inflammable material (decoration articles, etc.) in between a distance of min 0.5 meter.



## LASER SET UP & USAGE

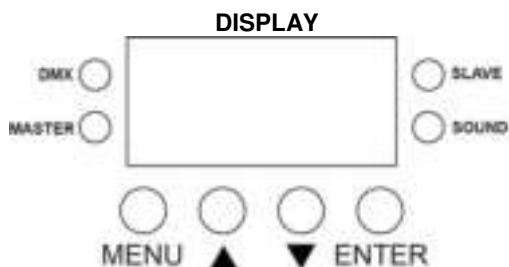
This fixture has been designed to be hung. It is recommended for safety purposes, your lighting effect are properly mounted using a suitable hanging clamp and safety cable. Items appropriate for safe and effective mounting are easily sourced from your lighting vendor.

International laser safety regulations require that lasers must be operated in the fashion illustrated below, with a minimum of 3 meters (9.8ft) of vertical separation between the floor and the lowest laser light vertically. Additionally, 2.5 meters of horizontal separation is required between laser light and audience or other public spaces.



**CAUTION:** Use of controls, adjustments, or performance of procedures other than what is specified herein may result in hazardous radiation exposure.

## HOW TO USE



Using the four function buttons on the top of the unit you can set the operating mode of the laser. Press the **MENU** button to display the different functions (see table below for a description of the functions).

Use the **UP** or **DOWN** arrow buttons to make your selection. When you have chosen your desired mode, press the **ENTER** button to confirm the change.

Press **MENU** a little longer to run the latest saved mode or wait for 15 seconds to exit automatically and then run the latest saved mode.

DISPLAY MENU		
Mode	Description	
<b>Adrr</b>	DMX start address	This is changed using the <b>UP</b> or <b>DOWN</b> arrow buttons (1-512).
<b>SLnd</b>	NAST – Master unit	Press the <b>ENTER</b> button to confirm that this unit would be the Master unit.
	SLAU – Slave unit	Press the <b>ENTER</b> button to confirm that this unit would be a Slave unit.
<b>Shnd</b>	Auto Mode	Press the <b>ENTER</b> button and then use the <b>UP</b> or <b>DOWN</b> buttons to choose Auto or Sound mode.
	Sound Mode	
<b>SPEE</b>	Auto speed	Adjustment from SP-1 to SP-9
<b>LED</b>	LED is on/LED is off automatically	If you choose the OFF option, the LED display will turn off after 20 seconds of inactivity. If you choose the ON option, the LED display will remain permanently on.
<b>dISP</b>	Display setting	The <b>dis</b> option will show the LED display in a standard format. <b>dsIP</b> will reverse the display.
<b>FhrS</b>	Life time of the light	Shows the total working time of the laser.
<b>Vers</b>	Software version	Indicates the current software version being used by the laser.

## LASER INDICATOR INSTRUCTION



The three RGB buttons on the top of the unit control the colours of the laser output. RGB corresponds with Red, Green and Blue laser diode respectively.



When a button is pressed and it's corresponding LED is lit, the laser will run that colour. When the button is pressed again and it's corresponding LED flickers, the colour will run at random. When the button is pressed yet again and it's corresponding LED is off, the corresponding colour will not output from the laser.



When use button to choose 2 colors or 3 colors, the default is random color change (use the remote controller to choose fixed color).

## REMOTE CONTROLL



### Button function:

- A. Auto/Sound Mode
- B. Blackout / Standby
- C. Color setting (RGB)
- D. Direction / Gobo (Auto speed ranging from SP1 to SP9)

**Note** : When the remote control is not working and in a sleeping mode, press the color button to unlock it.

**Caution** : The max working distance of remote control is 50M. There must be no barrier between the laser and remote control. Otherwise it would affect the max distance.

### If the unit doesn't work with the remote control, complete the following instructions.

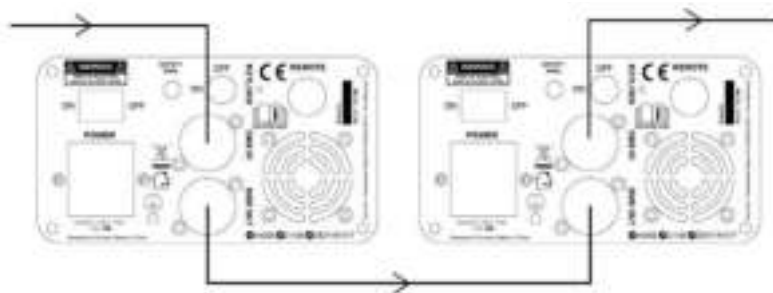
Press and hold the **MENU** and **ENTER** buttons at the same time, the indicator light at the bottom right of the LED display will light up, then release both buttons. Next press any button on the wireless remote control to make the connection, the indicator light at the bottom right of the LED display should flicker four times to indicate that the unit and wireless remote are paired and can work together.

### To stop the unit from working with the supplied remote control, complete the following instructions.

Press and hold the **MENU** and **ENTER** buttons at the same time, the indicator light at the bottom right of the LED display will light up, keep holding both buttons and don't release until the indicator light turns off. When the indicator light turns off, the unit and the wireless remote are no longer paired and will not work together.

## DMX-512 CONNECTION

If you are using a standard DMX controller, you can connect the DMX-output of the controller directly to the DMX-input of the first fixture in a DMX chain. Connect the output of the first fixture with the input of the next fixture until all fixtures are connected. If you use a controller with 5-pin DMX connection, you will need to use a 5-pin to 3-pin adapter.



Caution at the last fixture, the DMX cable has to be terminated. Solder a 120 Ohm resistor between signal (-) and signal (+) into a 3-pin XLR connector and plug this into the DMX output of the last fixture in the chain.



## DMX ADDRESS SETTING

When controlling the laser (or lasers) with a DMX controller, every laser must be set with a specific DMX address. You can choose to set all lasers with the same DMX address or you can set every laser with its own DMX address.

If all lasers are set with the same DMX address, they will receive all same DMX-signal. If operated in this way, all lasers will operate in the same way, you cannot control each laser separately.

If you set every laser with a different DMX address, they will receive DMX-signal from their own DMX-address. You will now be able to control each laser individually. The DMX-address that you set for each laser must be determined by the number of channels. In this situation, the laser use 5 DMX-channels, set the DMX-address of the first laser to 1, the second laser must then be set to DMX-address 6 (5+1), the third laser must be set to DMX-address 11 (5+6) etc.

## MASTER/SLAVE

If the laser is in a Master/Slave mode and the unit is the Master unit, you can run the Auto and Sound Activated function. When the laser is a Slave unit it will follow the Master and **SLAU** will show in the display. When there is no signal, **Stey** will show in the display. When using DMX, the LED display will show **Addr** when it receives a DMX512 signal.

## REPLACING THE FUSE

If the fuse is defective, replace the fuse with a fuse of the same type and value. Before replacing the fuse, unplug mains lead.

Procedure:



- Step 1: Open the fuse holder on the rear panel with a fitting screwdriver.
- Step 2: Remove the old fuse from the fuse holder.
- Step 3: Install the new fuse in the fuse holder.
- Step 4: Replace the fuse holder in the housing.

## FIXTURE CLEANING

The cleaning of internal and external optical lenses and/or mirrors must be carried out periodically to optimize light output. Cleaning frequency depends on the environment in which the fixture operates: damp, smoky or particularly dirty surrounding can cause greater accumulation of dirt on the unit's optics.

- Make sure the area below the installation place is free from unwanted persons during servicing
- Housings, fixations and installations spots( ceiling, truss, suspensions) should be totally free from any deformation
- The mains cables must be in impeccable condition and should be replaced immediately when even a small problem is detected
- In order to protect the fixture from overheat the cooling fans (if any) and ventilation openings should be cleaned monthly.
- The interior of the fixture should be cleaned annually using a vacuum cleaner or air-jet.
- Clean with soft cloth using normal glass cleaning fluid.
- Always dry the parts carefully.
- Clean the external optics at least every month. Clean the internal optics at least every 30/60 days.

**ATTENTION: We strongly recommend internal cleaning to be carried out by qualified worker!**

## NEDERLANDS

Hartelijk dank voor de aanschaf van dit Beamz lichteffect. Neemt U a.u.b. een paar momenten de tijd om deze handleiding zorgvuldig te lezen, aangezien wij graag willen dat u onze producten snel en volledig gebruikt.

Lees deze handleiding eerst door alvorens het product te gebruiken. Volg de instructies op anders zou de garantie wel eens kunnen vervallen. Neem ook altijd alle veiligheidsmaatregelen om brand en/of een elektrische schok te voorkomen. Tevens is het ook raadzaam om reparaties / modificaties e.d. over te laten aan gekwalificeerd personeel om een elektrische schok te voorkomen. Bewaar deze handleiding ook voor toekomstig gebruik.

- Bewaar de verpakking zodat u indien het apparaat defect is, dit in de originele verpakking kunt opsturen om beschadigingen te voorkomen.
- Voordat het apparaat in werking wordt gesteld, altijd eerst een deskundige raadplegen. Bij het voor de eerste keer inschakelen kan een bepaalde reuk optreden. Dit is normaal en verdwijnt na een poos.
- In het apparaat bevinden zich onder spanning staande onderdelen; open daarom NOOIT dit apparaat.
- Plaats geen metalen objecten en mors geen vloeistof in het effect. Dit kan leiden tot elektrische schokken of defecten.
- Toestel niet opstellen in de buurt van warmtebronnen zoals radiatoren etc. en niet op een vibrerende onder- grond plaatsen. Dek ventilatieopeningen nooit af.
- Het apparaat is niet geschikt voor continu gebruik.
- Wees voorzichtig met het netsnoer en beschadig deze niet. Als het snoer kapot of beschadigd is, kan dit leiden tot elektrische schokken of defecten.
- Als u de stekker uit het stopcontact neemt, trek dan niet aan het snoer, maar aan de stekker.
- Om brand of elektrische schok te voorkomen, dient u dit apparaat niet bloot te stellen aan regen of vocht.
- Verwijder of plaats een stekker nooit met natte handen resp. uit en in het stopcontact.
- Indien zowel de stekker en/of netsnoer als snoeringang in het apparaat beschadigd zijn dient dit door een vakman hersteld te worden.
- Indien het apparaat zo beschadigd is dat inwendige (onder)delen zichtbaar zijn mag de stekker NOOIT in het stopcontact worden geplaatst en het apparaat NOOIT worden ingeschakeld. Neem in dit geval contact op met de dealer.
- Sluit het apparaat nooit op een dimmer aan.
- Reparatie aan het apparaat dient te geschieden door een vakman of een deskundige.
- Sluit het apparaat alleen aan op een 220-240VAC / 50Hz (geaard) stopcontact, verbonden met een 10-16A meterkastgroep.
- Bij onweer altijd de stekker uit het stopcontact halen, zo ook wanneer het apparaat voor een langere tijd niet gebruikt wordt. Stelregel: Bij geen gebruik stekker verwijderen.
- Als u het apparaat lang niet gebruikt heeft en het weer wil gebruiken kan er condens ontstaan; laat het apparaat eerst op kamertemperatuur komen alvorens het weer in werking te stellen.
- Apparaat nooit in vochtige ruimten en buiten gebruiken.
- De behuizing wordt zeer warm, raak deze dan ook niet aan bij gebruik en direct na gebruik..
- Om ongevallen in bedrijven te voorkomen moet rekening worden gehouden met de daarvoor geldende richtlijnen en moeten de aanwijzingen/waarschuwingen worden gevolgd.
- Zorg voor een extra veiligheidsketting als het apparaat op hoogte wordt gehangen. Gebruik een truss-systeem met montagehaak. Ga nooit onder het apparaat staan bij ophanging. Monteer minimaal 50 cm van brandbare objecten en laat tenminste 1meter vrij aan weerszijden voor een deugdelijke ventilatie.
- Dit apparaat bezit een hoge intensiteit LED; kijk nooit in de LED om oogbeschadigingen te voorkomen.
- Het apparaat buiten bereik van kinderen houden. Bovendien mag het apparaat nooit onbeheerd gelaten worden
- Gebruik geen schoonmaakspray om de schakelaars te reinigen. Restanten van deze spray zorgen ervoor dat smeer en stof ophopen. Raadpleeg bij storing te allen tijde een deskundige.
- Zorg dat uw handen schoon zijn tijdens het gebruik.
- Gebruik geen overmatige kracht bij het bedienen van het apparaat.
- Bij een ongeval met dit product altijd eerst een deskundige raadplegen alvorens opnieuw te gebruiken.
- Tracht het apparaat niet schoon te maken met chemische oplossingen. Dit kan de lak beschadigen. Gebruik een droge doek om schoon te maken.
- Blijf uit de buurt van elektronische apparatuur die bromstoringen zouden kunnen veroorzaken.
- Bij reparatie dienen altijd originele onderdelen te worden gebruikt om onherstelbare beschadigingen en/of ontoelaatbare straling te voorkomen.
- Schakel eerst het toestel uit voordat u het netsnoer verwijderd. Verwijder netsnoer en aansluitsnoeren voordat u dit product gaat verplaatsen.
- Zorg ervoor dat het netsnoer niet beschadigd/defect kan raken wanneer mensen erover heen lopen. Het netsnoer vóór ieder gebruik controleren op breuken/defecten!
- In Nederland/België is de netspanning 220-240Vac/50Hz. Indien u reist (en u neemt het apparaat mee) informeer dan naar de netspanning in het land waar u verblijft.



Deze markering wordt weergegeven om u erop attent te maken dat een levensgevaarlijke spanning in het product aanwezig is en dat bij aanraking van deze delen een elektrische schok wordt verkregen.



Deze instructiemarkering wordt weergegeven om u erop te wijzen dat de instructie zeer belangrijk is om te lezen en/of op te volgen.



**KIJK NOOIT DIRECT IN DE LENS.** Dit kan uw ogen beschadigen. Daarnaast dienen epileptici rekening te houden met de effecten die dit toestel creëert. Dit apparaat is CE goedgekeurd ; er mogen geen veranderingen modificaties worden doorgevoerd ; deze kunnen de CE status te niet doen met alle gevolgen van dien. Tevens vervalt de garantie!

**OPMERKING:** Om zeker te zijn van een correcte werking, dient u dit apparaat in een ruimte te gebruiken waar de temperatuur tussen de 5°C/41°F en 35°C/95°F ligt.



Raadpleeg eventueel [www.wecycle.nl](http://www.wecycle.nl) en/of [www.vrom.nl](http://www.vrom.nl) v.w.b. het afdanken van elektronische apparaten in het kader van de WEEE-regeling. Vele artikelen kunnen worden gerecycled, gooi ze daarom niet bij het huisvuil maar lever ze in bij een gemeentelijk depot of uw dealer. Lever ook afgedankte batterijen in bij uw gemeentelijk depot of bij de dealer, zie [www.stibat.nl](http://www.stibat.nl)





Het is mogelijk letsel op te lopen bij gebruik van de laser. Lees deze instructies goed door. Het geeft informatie over de installatie, veilig gebruik en service!



## LET OP!

- De laserstraal kan oogletsel of blindheid veroorzaken.
- Het is verboden en gevaarlijk de laserstraal in het publiek te schijnen, of daar te schijnen waar reflecties het publiek bereiken.
- Het is verboden de laserstraal op vliegtuigen te richten.
- In de laserunit bevinden zich voor u geen onderdelen die door u gebruikt kunnen worden. Open daarom nooit de behuizing en probeer de unit nooit te repareren. Laat dit over aan gekwalificeerde vakmensen of stuur de unit naar uw dealer.
- Het afstellen of gebruik anders dan omschreven in deze handleiding kan leiden tot een gevaarlijke blootstelling aan ongewenste straling.

Deze unit bevat laseronderdelen met een hoog vermogen, onder spanning staande delen en delen die straling afgeven. OPEN daarom NOOIT de behuizing, DIT KAN LEVENSGEVAARLIJK ZIJN. Het kan ook blindheid, huidverbranding en brand veroorzaken.



## STOP EN LEES ALLE LASER INFORMATIE

Laserlicht is anders dan ander licht wat u gewend bent. Laserlicht kan n.l. (oog)letsel veroorzaken. Laserlicht is duizenden keren geconcentreerder dan normaal licht. Deze lichtconcentratie kan het netvlies verbranden. Zelfs als de warmte van een laserstraal niet gevoeld kan worden, kan het oogletsel of blindheid veroorzaken. Zelfs een kleine concentratie en een straal die ver verwijderd is kan gevaarlijk zijn. Oogletsel ontstaat sneller dan u met de ogen kunt knippen.

Het is **onjuist** te veronderstellen dat één straal uit een bundel van honderden door de laser gemaakte bundels, geen letsel kan veroorzaken.

Het is ook **onjuist** te veronderstellen dat het veilig is in een bewegende straal te kijken. In de wet staat dat het verboden is, bij gebruik van een Klasse 3B laser, de laserstraal op individuen te richten en/of daaronder zoals op dansvloeren enz.

- Plaats laserunits zodanig dat laserstralen tenminste 3 meter boven de vloer bewegen. Zie verderop in deze handleiding.
- Test laserunits altijd eerst voordat het publiek aanwezig is. Gebruik de laser niet bij defecten. Gebruik de laser niet indien deze maar een paar bundels uitstralen. Lasers stralen normaliter honderden bundels uit. Dit duidt op een defect aan de lens en zorgt ervoor dat de uitgestraalde bundels een ander/hoger stralingsniveau hebben en gevaarlijk zijn.
- Richt een laserstraal nooit op mensen en dieren.
- Zorg ervoor dat bij de aanwezigheid van een balkon o.i.d. dat de 3m regel in acht wordt genomen, zie hierboven vermeld.
- Richt een laserstraal nooit op ramen, spiegels, reflecterend materiaal enz. Ook reflecterende stralen zijn gevaarlijk.
- Richt een laserstraal nooit op een vliegtuig.
- Richt een laserstraal nooit in de open lucht.
- Gebruik geen reinigingsmiddelen en/of chemische middelen om de lens schoon te maken.
- Laat een (werkende) laserunit nooit onbeheerd achter.
- Laat de bediening van een Klasse 3B laser over aan vakbekwame mensen die vertrouwd zijn met de gestelde eisen die hiervoor nodig zijn.
- De gestelde eisen variëren van land tot land. De gebruiker is verantwoordelijk voor (het gebruik van) de laser.
- Gebruik altijd een veiligheidsketting wanneer een laser op hoogte wordt gemonteerd.

**Let op!** Het gebruik in Frankrijk is alléén toegestaan voor de professionele gebruiker en niet voor de consument. Zie besluit: [www.legifrance.gouv.fr](http://www.legifrance.gouv.fr)

## UITPAKKEN

**LET OP!** Onmiddellijk na ontvangst, zorgvuldig uitpakken van de doos, controleer de inhoud om ervoor te zorgen dat alle onderdelen aanwezig zijn en zijn in goede staat zijn ontvangen. Bij transportschade of ontbreken van onderdelen onmiddellijk de verkopende partij inlichten. Bewaar de verpakking en het verpakkingsmateriaal. Indien het apparaat moet worden teruggestuurd, is het belangrijk dat de apparatuur in originele verpakking wordt geretourneerd.

Inhoud:

- MegaCluster Laser RGB
- MegaCluster Laser RGB draadloze afstandsbediening
- Stroomkabel
- Handleiding

Als het apparaat is blootgesteld aan drastische temperatuurverschillen (bv. na het transport), schakel het apparaat niet onmiddellijk in. De ontstane condensatie kan het apparaat beschadigen. Zorg ervoor dat het apparaat op kamertemperatuur komt en steek vervolgens de voeding stekker in het stopcontact/wandcontactdoos.

## AANSLUITSPANNING

Op het label aan de achterzijde van de laserunit staat aangegeven op welke netspanning deze moet worden aangesloten. Controleer of de netspanning hiermee overeenkomt, bij alle andere netspanningen dan aangegeven kan de laserunit onherstelbaar worden beschadigd. Tevens moet de laserunit direct op de netspanning worden aangesloten en mag géén dimmer of regelbare voeding worden gebruikt.

## INSTALLATIE



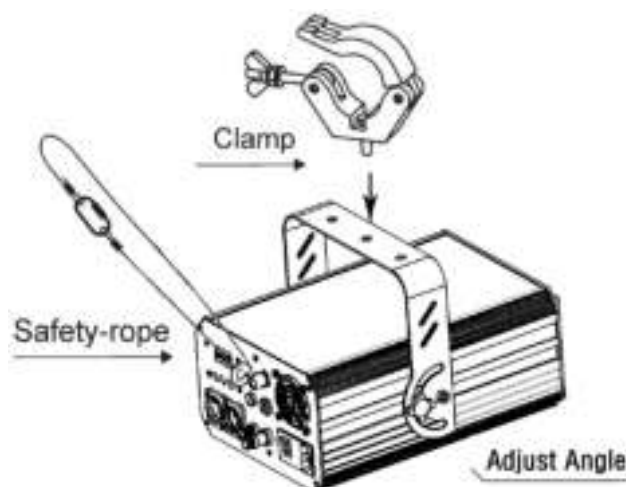
**LET OP:** Het installeren dient conform de wet en gestelde eisen te geschieden! Ook dient het installeren te geschieden door vakbekwaam personeel!



- De constructie van de ophanging dient zo te zijn dat deze 10 keer het gewicht per uur van de laserunit kan dragen.
- Het lichteffect moet altijd worden gezekeerd met een tweede beveiliging zoals een vangnet of veiligheidsketting. De tweede beveiliging moet zodanig zijn geconstrueerd dat geen enkel deel naar beneden kan vallen.
- Zorg ervoor dat geen enkel individu tijdens installatie, reparatie enz. onder de laserunit staat of door kan lopen.
- De gebruiker is verantwoordelijk voor de laserunit, de installatie en de veiligheid van het geheel. Is deze daartoe niet in staat dient altijd een externe deskundige in de arm genomen te worden die het geheel controleert en de verantwoordelijkheid op zich neemt.
- De gebruiker dient minstens eens per jaar de laserunit en de installatie te laten controleren, op veiligheid, technische werking van de laser enz., door een externe deskundige.

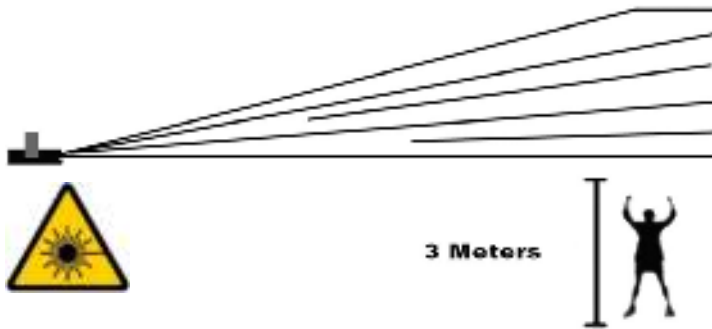


**LET OP:** Bij de installatie van de laserunit mag geen ontvlambaar materiaal aanwezig zijn (decoratie materiaal, enz.). Houd tenminste 50 cm afstand tot oppervlakken en andere lasers!



## LASER SET UP & GEBRUIK

De laserunit kan worden opgehangen. Dit dient op een deugdelijke wijze te geschieden door gebruik te maken van een montagehaak en veiligheidsketting. Deze veiligheidsartikelen zijn bij de dealer te verkrijgen. Zoals in het volgende figuur is weergegeven dienen de laserstralen, met een minimum van 3 meter, boven de vloer te schijnen, zodanig dat individuen geen (oog)letsel oplopen. Hou rekening met eventueel aanwezige balkons o.i.d. en pas de 3 meterregel opnieuw toe. Tevens mag de laserunit nooit aanraakbaar zijn, behalve door een vakbekwaam persoon.



**LET OP: Bediening, afstellingen of het volgen van procedures anders dan gesteld in de handleiding kunnen resulteren in gevaarlijke stralingen.**

## ONDERHOUD

Het schoonmaken van inwendige en uitwendige optische lenzen en / of spiegels moet regelmatig worden uitgevoerd om de lichtopbrengst te optimaliseren. Schoonmaken frequentie is afhankelijk van de omgeving waarin het toestel wordt gebruikt: een klamme, rokerige of bijzonder vuile omgeving kan een grotere opeenhoping van vuil veroorzaken op de optische uitrusting.

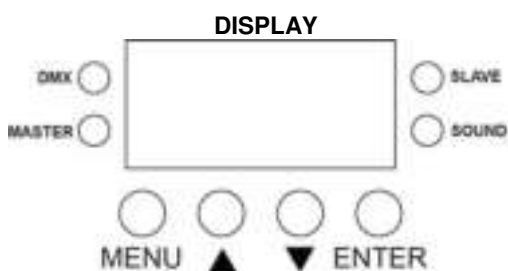
- Zorg er voor dat gedurende het onderhoud zich geen individuen bevinden onder de laser.
- Schakel de laser uit, trek de stekker uit het stopcontact en wacht tot de laser is afgekoeld.
- Behuizing, bevestiging en installaties (plafond, truss, ophanging) moeten van deugdelijke aard zijn.
- Het netsnoer mag niet beschadigd zijn en moet direct vervangen worden, ook bij kleine defecten.
- Om de laser te beschermen tegen oververhitting dienen ventilatoren en ventilatie openingen iedere maand schoongemaakt te worden.
- De lens en spiegels dienen periodiek schoongemaakt te worden. Deze periode is afhankelijk van de aanwezige viezigheid.
- Alleen schoonmaken met een droge doek.
- Gebruik geen reinigingsmiddelen.
- Maak de lens tenminste iedere maand schoon.
- Modificaties door de fabrikant worden zonder u op de hoogte te brengen doorgevoerd.



**LET OP:** Wij adviseren u het reinigen en servicen van het toestel uit te laten voeren door een vakbekwaam persoon.



## HOE TE BEDIENEN









Met behulp van de vier functietoetsen aan de bovenzijde van het apparaat kunt u de laser instellen. Druk op de knop **MENU** om de verschillende functies (zie onderstaande tabel voor een beschrijving van de functies) weer te geven.

Gebruik de **UP** of **DOWN** toetsen om uw keuze te maken. Wanneer u uw gewenste modus hebt gekozen, druk op de **ENTER**-toets om de wijziging te bevestigen.

Druk de **MENU** toets langer in om de laatst opgeslagen modus uit te voeren of wacht 15 seconden om automatisch af te sluiten en vervolgens de laatst opgeslagen stand.

DISPLAY MENU		
Mode	Description	
<b>Addr</b>	DMX start adres	Dit wordt gewijzigd met de pijl omhoog of omlaag toetsen (1-512)
<b>SLnd</b>	NAST – Master unit	Druk op de <b>ENTER</b> toets om te bevestigen dat dit toestel de Master-unit moet zijn.
	SLAU – Slave unit	Druk op de <b>ENTER</b> toets om te bevestigen dat dit toestel de Slave-unit moet zijn.
<b>Shnd</b>	Auto Mode	Druk op de <b>ENTER</b> toets en gebruik vervolgens de <b>UP</b> of <b>DOWN</b> toetsen om Auto of Sound-modus kiezen.
	Sound Mode	
<b>SPEE</b>	Auto snelheid	Instelbaar van SP-1 tot SP-9
<b>LED</b>	LED is aan/LED is automatisch uit	Als u de optie OFF te kiest, zal de LED-display na 20 seconden inactiviteit zijn. Als u de optie ON kiest, zal de LED-display permanent blijven branden.
<b>dISP</b>	Display instelling	De optie <b>dis</b> zal de LED-display in een standaard formaat te tonen. <b>DSIP</b> zal het display te keren.
<b>FhrS</b>	Levensduur	Toont de totale arbeidstijd van de laser.
<b>Vers</b>	Software versie	Geeft de huidige versie van de software weer welke wordt gebruikt door de laser.

## LASER INDICATIE INSTRUCTIE

- R**   De drie RGB knoppen aan de bovenzijde van de laser bedienen de laser kleuren. RGB komt overeen met rode, groene en blauwe laserdiode.
- G**   Als u een toets indrukt en het bijbehorende LED brandt, zal de laser die kleur tonen. Wanneer de toets opnieuw wordt ingedrukt en het is bijbehorende LED knippert, zal de laser kleur willekeurig vertoond worden. Wanneer de knop opnieuw wordt ingedrukt en de bijbehorende LED is uit, de overeenkomstige kleur zal niet vertoond worden door de laser.
- B**   Wanneer u kiest voor gebruik van 2 of 3 laser kleuren, de laser gebruikt de laser kleuren willekeurige (gebruik de afstandsbediening om vaste kleur te kiezen).

## AFSTANDBEDIENING



### Knoppen functie

- Auto/Sound Mode
- Blackout / Standby
- Kleurinstelling (RGB)
- Richting/Gobo (Auto snelheid variërend van SP1 naar SP9)

**Opmerking:** Als de afstandsbediening niet werkt of bevindt in een slaapstand, drukt u op de RGB-knoppen om het te ontgrendelen.

**Let op:** De maximale werkafstand van de afstandsbediening is 50M. Er mag geen barrière tussen de laser en de afstandsbediening zijn. Anders zou het invloed hebben op de maximale afstand.

### Als de laser niet werkt met de bijgeleverde afstandsbediening volg de onderstaande instructies.

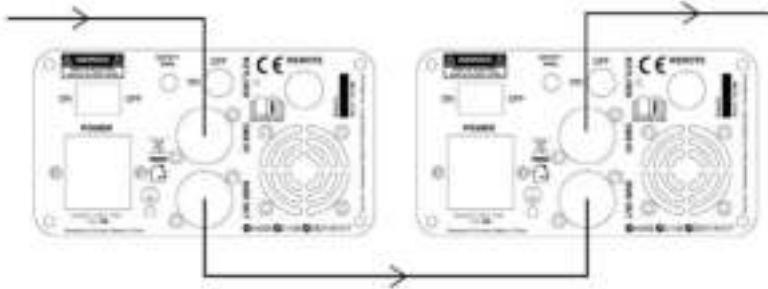
Druk de **MENU** en **ENTER** toets tegelijk in, het lampje rechts onder van het LED-display zal oplichten, laat vervolgens beide toetsen los. Druk vervolgens op een willekeurige knop op de draadloze afstandsbediening voor verbinding, het lampje rechts onder in het LED-display moet vier keer flikkeren om aan te geven dat het apparaat en de draadloze afstandsbediening worden gekoppeld en kunnen samenwerken

### Om de laser niet te bedienen via de meegeleverde afstandsbediening volg de onderstaande instructies.

Druk de **MENU** en **ENTER** toets tegelijk in, het lampje rechts onder van het LED-display zal oplichten, houd beide toetsen ingedrukt totdat het lampje uitgaat. Als het lampje uitgaat, het toestel en de draadloze afstandsbediening zijn niet langer gekoppeld en zal niet samenwerken.

## DMX-512 AANSLUITEN

Als u gebruik maakt van een standaard DMX-lichtstuurtafel, kunt u de DMX-uitgang van de stuurtafel rechtstreeks aansluiten op de DMX-ingang van het eerste DMX-apparaat. Sluit altijd de DMX uitgang aan op de eerst volgende DMX ingang van het volgende apparaat totdat alle apparaten zijn aangesloten. Als je een lichtstuurtafel gebruikt met 5-pins DMX connector dient u gebruikt te maken van een 5-pin naar 3-pins verloop adapter.



Opgelet bij het laatste apparaat, dient u de DMX-lijn af te sluiten met een eindweerstand. Soldeer een 120 Ohm weerstand tussen signaal (-) en signaal (+) in een 3-polige XLR connector en steek deze in de DMX uitgang van het laatste apparaat in de lijn.



## DMX ADRES INSTELLINGEN

Bij bediening van de laser (of lasers) met een DMX controller, moet elke laser worden ingesteld met een specifieke DMX adres. Tenzij u kiest om alle lasers in te stellen met hetzelfde DMX-adres. Als alle lasers worden ingesteld met hetzelfde DMX adres, zullen ze allemaal dezelfde DMX-signaal ontvangen en tegelijk reageren. Indien alle lasers werken met hetzelfde DMX-adres kun u de laser niet afzonderlijk bedienen.

Als u elke laser een specifiek DMX-adres instelt, zullen ze DMX-signaal ontvangen van hun eigen DMX adres. U kunt nu elke laser afzonderlijk bedienen. Het DMX-adres dat u voor elke laser instelt wordt bepaald door het aantal kanalen van de laser. In deze situatie, de laser gebruik 5 DMX-kanalen, het DMX-adres van de eerste laser is 1, de tweede laser moet dan worden ingesteld op DMX-adres 6 (5 + 1), de derde laser worden ingesteld op DMX-adres 11 (5 + 6 ) etc.

## MASTER/SLAVE

Als de laser functioneert in een Master/Slave-mode en de laser is de master-unit, kunt u kiezen uit Auto en Sound functies. Wanneer de laser een Slave unit is, zal deze de Master volgen en SLAU zal laten zien op het display. Als er geen signaal is, zal **Stey** tonen op het display. Bij het gebruik van DMX, zal de LED-display **Adr** tonen wanneer het een DMX512 signaal ontvangt.

## VERVANGEN ZEKERING

Indien de zekering defect is, dient u de zekering te vervangen door een zekering van hetzelfde type en waarde. Voor het vervangen van de zekering, schakel eerst de stroom uit en volg de onderstaande stappen.

Procedure:



- Stap 1: Open de zekeringhouder op het achter paneel met een passende platte schroevendraaier.
- Stap 2: Verwijder de oude zekering uit de zekeringhouder.
- Stap 3: Installeer de nieuwe zekering in de zekeringhouder.
- Stap 4: Plaats de zekeringhouder in de behuizing.

# DEUTSCH

Vielen Dank für den Kauf dieses Beamz gerat. Nehmen Sie sich einen Augenblick Zeit, um diese Anleitung sorgfältig durchzulesen, damit sie die Möglichkeiten, die unser Produkt bietet, sofort voll ausnutzen können. Lesen Sie erst die Anleitung vollständig vor der ersten Inbetriebnahme durch. Befolgen Sie die Anweisung, da sonst jeglicher Garantieanspruch verfällt. Treffen Sie stets alle Sicherheits-vorkehrungen um Feuer und/oder Stromschlag zu vermeiden. Reparaturen dürfen nur von qualifiziertem Fachpersonal ausgeführt werden, um Stromschlag zu vermeiden. Bewahren Sie diese Anleitung für spätere Bezugnahme auf.

- Bewahren Sie die Verpackung auf, um das Gerät im Bedarfsfall sicher transportieren zu können.
- Bevor das Gerät in Betrieb genommen wird, muss es erst von einem Fachmann überprüft werden. Bei der ersten Benutzung kann etwas Geruch auftreten. Das ist normal und verschwindet nach einer Weile
- Das Gerät enthält unter Spannung stehende Teile. Daher NIEMALS das Gehäuse öffnen.
- Keine Metallgegenstände oder Flüssigkeiten ins Gerät dringen lassen. Sie können zu Stromschlag und Defekten führen.
- Gerät nicht in der Nähe von Wärmequellen wie Heizkörpern aufstellen. Nicht auf eine vibrierende Oberfläche stellen. Niemals die Belüftungsschlitze abdecken.
- Das Gerät ist nicht für Dauerbetrieb geeignet.
- Gehen Sie vorsichtig mit dem Netzkabel um und beschädigen Sie es nicht. Eine beschädigte Netzschnur kann zu Stromschlag und Defekten führen.
- Wenn Sie das Gerät vom Netz trennen, immer am Stecker ziehen, niemals an der Schnur.
- Um Feuer und Stromschlag zu vermeiden, das Gerät vor Regen und Feuchtigkeit schützen.
- Den Stecker nie mit nassen Händen in eine Netzsteckdose stecken oder abziehen.
- Wenn sowohl der Stecker und/oder die Netzschnur bzw. der Kabeleintritt ins Gerät beschädigt sind, müssen sie von einem Fachmann repariert werden.
- Wenn das Gerät so beschädigt ist, dass Innenteile sichtbar sind, darf der Stecker NICHT in eine Steckdose gesteckt werden und das Gerät darf NICHT eingeschaltet werden. Wenden Sie sich in dem Fall an Ihren Fachhändler. Das Gerät darf nicht an einen Dimmer angeschlossen werden.
- Reparaturen dürfen nur von einem Fachmann oder Sachverständigen ausgeführt werden.
- Das Gerät nur an eine geerdete 10-16A Netzsteckdose mit 220-240V AC/50Hz Spannung anschließen.
- Bei Gewitter oder längerem Nichtgebrauch den Netzstecker abziehen. Die Regel gilt: Bei Nichtgebrauch Netzstecker abziehen.
- Wenn das Gerät längere Zeit nicht benutzt wurde, kann sich Kondenswasser gebildet haben. Lassen Sie das Gerät erst auf Zimmertemperatur kommen, bevor Sie es einschalten. Das Gerät nicht in feuchten Räumen oder im Freien benutzen.
- Das Gehäuse wird sehr warm. Während des Betriebs und gleich danach nicht das Gehäuse anfassen.
- Um Unfällen in der Öffentlichkeit vorzubeugen, müssen die geltenden Richtlinien beachtet und die Anweisungen/Warnungen befolgt werden.
- Wenn das Gerät an der Decke befestigt werden soll, muss es mit einer zusätzlichen Sicherheitskette abgesichert werden. Benutzen Sie ein Traversen system mit Haken. Während der Montage darf sich niemand im Bereich darunter aufhalten. Das Gerät muss mindestens 50cm von brennbaren Materialien entfernt angebracht werden. Lassen Sie einen Mindestabstand von 1m an jeder Seite des Geräts frei, um ausreichende Kühlung zu gewährleisten.
- Das Gerät besitzt eine hochintensive LED. Niemals direkt in die LED blicken, um die Augen nicht zu beschädigen.
- Niemals das Gerät kurz hintereinander ein- und ausschalten. Dadurch verkürzt sich die Lebensdauer erheblich.
- Das Gerät außerhalb der Reichweite von Kindern halten. Das Gerät niemals unbeaufsichtigt lassen.
- Die Regler nicht mit Reinigungssprays reinigen. Diese hinterlassen Rückstände, die zu Staub- und Fettsammlungen führen. Bei Störungen immer einen Fachmann um Rat fragen.
- Das Gerät nur mit sauberen Händen bedienen.
- Das Gerät nicht mit Gewalt bedienen.
- Nach einem Unfall mit dem Gerät immer erst einen Fachmann um Rat fragen, bevor Sie es wieder einschalten.
- Keine chemischen Reinigungsmittel benutzen, die den Lack beschädigen. Das Gerät nur mit einem trockenen Tuch abwischen.
- Nicht in der Nähe von elektronischen Geräten benutzen, die Brummstörungen verursachen können.
- Bei Reparaturen nur die Original-Ersatzteile verwenden, um starke Schäden und/oder gefährliche Strahlungen zu vermeiden.
- Bevor Sie das Netz- und/oder Anschlusskabel abziehen, erst das Gerät ausschalten. Netz- und Anschlusskabel abziehen, bevor Sie das Gerät umstellen.
- Sorgen Sie dafür, dass das Netzkabel nicht beschädigt werden kann, wenn Menschen darüber laufen. Das Netzkabel vor jedem Einsatz auf Brüche/Schadstellen überprüfen.
- In Deutschland beträgt die Netzspannung 220-240V AC / 50Hz. Wenn Sie das Gerät auf Reisen mitnehmen, prüfen Sie, ob die örtliche Netzspannung den Anforderungen des Geräts entspricht.



Dieses Zeichen weist den Benutzer darauf hin, dass lebensgefährliche Spannungen im Gerät anliegen, die bei Berührung einen Stromschlag verursachen.



Dieses Zeichen lenkt die Aufmerksamkeit des Benutzers auf wichtige Hinweise in der Anleitung hin, die unbedingt eingehalten werden müssen.



**NIEMALS DIREKT IN DIE LINSE BLICKEN.** Dies kann Ihre Augen verletzen. Epileptiker müssen die Auswirkungen berücksichtigen, die die Effekte dieses gerat auf ihre Gesundheit haben können. Das Gerät ist CE geprüft. Daher dürfen KEINE Veränderungen vorgenommen werden. Außerdem verfällt bei Veränderungen am Gerät jeglicher Garantieanspruch!

**HINWEIS:** Um einen einwandfreien Betrieb zu gewährleisten, muss die Raumtemperatur zwischen 5° und 35°C liegen.



Tronios BV Registrierungsnummer : DE51181017 (ElektroG). Dieses Produkt darf am Ende seiner Lebensdauer nicht über den normalen Haushaltsabfall entsorgt werden, sondern muss an einem sammelpunkt für das Recycling abgegeben werden. Hiermit leisten Sie einen wichtigen Beitrag zum Schutze unserer Umwelt.

Tronios BV Registrierungsnummer : 21003000 (BatterieG). (Lithium)Batterien und Akkupacks sollten nur im entladenen Zustand in die Altbatteriesammelgefäße bei Handel und bei öffentlich-rechtlichen Entsorgungsträgern gegeben werden. Bei nicht vollständig entladenen Batterien Vorsorge gegen Kurzschluß treffen durch Isolieren der Pole mit Klebestreifen. Der Entnutzer ist zur Rückgabe von Altbatterien gesetzlich verpflichtet.

# LASER SICHERHEITSHINWEISE



**Bei diesem Gerät besteht Verletzungsgefahr! Lesen Sie diese Anweisungen genau durch. Sie enthalten wichtige Informationen über die Montage, sicheren Gebrauch und Wartung!**



## VORSICHT!

- Vermeiden Sie direkten Augenkontakt mit dem Laserstrahl. Niemals absichtlich Ihre Augen oder die Augen anderer Personen direktem Laserlicht aussetzen.
- Der Laserstrahl kann sofort Ihre Augen verletzen oder zu Blindheit führen, wenn er direkt ins Auge fällt.
- Es ist verboten und gefährlich, den Laserstrahl aufs Publikum zu richten, wo das Licht oder die Reflexion des Lichtstrahls Personen ins Auge treffen kann.
- Das Gerät enthält keine vom Benutzer auswechselbaren Teile. Nicht das Gehäuse öffnen oder Reparaturen selbst ausführen. Bei Reparaturbedarf wenden Sie sich bitte an Ihren Fachhändler.
- Sie setzen sich gefährlichen Strahlungen aus, wenn Sie Einstellungen oder Arbeiten am Gerät vornehmen, die nicht ausdrücklich in dieser Anleitung erwähnt sind.



## STOP ERST ALLE SICHERHEITSHINWEISE LESEN

Laserlicht hat nichts mit anderen Lichtquellen, die sie vielleicht kennen, zu tun. Das Licht dieses Produktes kann Augenverletzungen verursachen, wenn es nicht richtig installiert und bedient wird.

Laserlicht ist mehrere tausend Male konzentrierter als jede andere Lichtquelle. Diese hohe Konzentration kann zu sofortigen Augenverletzungen führen, insbesondere zur Verbrennung der Netzhaut. Selbst wenn Sie keine „Hitze“ vom Laserstrahl spüren, kann er trotzdem Blindheit verursachen. Sogar ganz geringe Mengen von Laserstrahlen auf lange Entfernungen sind gefährlich.

Es ist falsch zu denken, dass der einzelne Strahl fürs Auge ungefährlich ist, weil diese Produkte der Unterhaltungselektronik den Strahl in hunderte von Strahlen teilen oder bei hoher Geschwindigkeit durch den Raum schießen. Dieses Laserprodukt verwendet Dutzende von Milliwatt Laserleistung (Klasse 3B Laser). Viele der einzelnen Strahlen stellen eine potentielle Gefahr dar.

Es ist ebenfalls falsch zu glauben, dass der Laserstrahl harmlos ist, weil er sich bewegt. Das ist nicht wahr und außerdem bewegt er sich auch nicht ständig. Da Augenverletzungen sofort auftreten, ist es lebenswichtig, die Möglichkeit von eventuellem, direktem Augenkontakt völlig auszuschließen. In den Sicherheitsbestimmungen für Laser ist es illegal, einen Laser der Klasse 3B auf Bereiche zu richten, wo sich Personen befinden können. Dies gilt auch, wenn der Strahl unterhalb von den Augen der Menschen, z.B. auf den Tanzboden gerichtet ist.

- Benutzen Sie nicht den Laser, ohne zuerst alle Sicherheits- und technischen Daten zu lesen und zu verstehen
- Installieren Sie das Lasergerät so, dass sich das Laserlicht mindestens 3m über dem Boden, auf dem Leute stehen können, befindet. S. „Richtige Montage und Bedienung“ in dieser Anleitung.
- Nach der Montage und vor der Inbetriebnahme in der Öffentlichkeit, testen Sie, ob das Gerät einwandfrei funktioniert. Falls ein Defekt auftritt, darf das Gerät nicht benutzt werden. Auch nicht benutzen, wenn der Laser nur einen der zwei statt dutzende/hunderte von Strahlen abgibt. Dies kann auf einen Schaden in der Optik hinweisen und zur Abgabe höherer Laserleistung führen.
- Den Laserstrahl niemals auf Menschen oder Tiere richten.
- Niemals in die Laseraustrittsöffnung oder einen Laserstrahl blicken.
- Den Laserstrahl nicht auf Bereiche richten, wo Menschen möglicherweise dem Strahl ausgesetzt werden können, z.B. einen unüberwachten Balkon
- Niemals den Laserstrahl auf spiegelnde Flächen wie Fenster, Spiegel oder glänzendes Metall richten. Sogar die gespiegelten Strahlen sind gefährlich.
- Niemals den Laserstrahl auf Flugzeuge richten.
- Niemals unbegrenzte Laserstrahlen in den Himmel richten.
- Niemals die Austrittsoptik chemischen Reinigungsmitteln aussetzen.
- Den Laser nicht benutzen, wenn er nur ein oder zwei Strahlen abgibt.
- Den Laser nicht benutzen, wenn das Gehäuse beschädigt oder geöffnet ist, oder wenn die Optik in irgendeiner Weise beschädigt zu sein scheint.
- Niemals das Lasergehäuse öffnen. Die hohe Laserleistung im Gehäuse kann Feuer, Hautverbrennungen und Augenverletzungen verursachen.
- Das Gerät niemals ohne Aufsicht laufen lassen.
- Der Betrieb eines Showlasers der Klasse 3B ist zu zulässig, wenn das Gerät von einem ausgebildeten Fachmann betrieben wird, der mit den Informationen in dieser Anleitung vertraut ist.
- Die gesetzlichen Vorschriften zum Gebrauch von Lasern in der Unterhaltungselektronik ist von Land zu Land verschieden. Der Benutzer ist für die Einhaltung der gesetzlichen Vorschriften verantwortlich.
- Stets angemessene Sicherheitskabel zum Aufhängen von Lichteffektgeräten verwenden

**Hinweis!** Die Nutzung in Frankreich ist nur für den professionellen Anwender und nicht für den Endbenutzer zulässig. Siehe Beschluß: [www.legifrance.gouv.fr](http://www.legifrance.gouv.fr)

## VOR DER INBETRIEBNAHME

Packen Sie das Gerät sofort nach Empfang aus und prüfen Sie den Inhalt. Wenn Teile fehlen oder beschädigt sind, benachrichtigen Sie sofort den Spediteur und bewahren Sie die Verpackung auf. Falls ein Gerät ins Werk zurückgeschickt werden muss, ist es wichtig, dass es in der Originalverpackung versandt wird.

Inhalt:

- MegaCluster Laser RGB
- MegaCluster Laser RGB Drahtlose Fernbedienung
- Stromkabel
- Gebrauchsanleitung

Das Gerät darf nicht in Betrieb genommen werden, nachdem es von einem kalten in einen warmen Raum gebracht wurde. Das dabei entstehende Kondenswasser kann unter Umständen Ihr Gerät zerstören. Lassen Sie das Gerät solange uneingeschaltet, bis es Raumtemperatur erreicht hat!

## NETZANSCHLUSS

Die benötigte Versorgungsspannung steht auf dem Typenschild auf der Rückseite des Geräts. Die angegebenen Stromwerte entsprechen einem Durchschnittswert bei normalem Betrieb. Alle Geräte müssen direkt ans Netz angeschlossen werden und dürfen nicht über Dimmerpacks geschaltet werden. Bevor Sie eine Spannung anlegen, prüfen Sie, ob der Wert der zulässigen Spannung entspricht.

## INSTALLATION



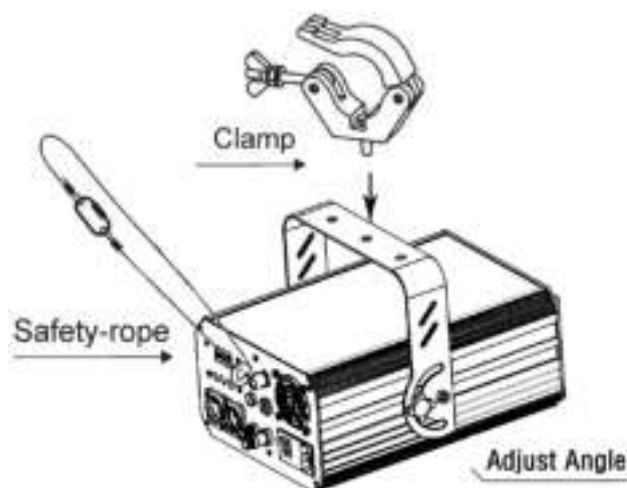
**VORSICHT: Bitte beachten Sie die entsprechende nationale Gesetzgebung während der Montage! Die Installation darf nur von befugten Angestellten oder Fachleuten ausgeführt werden.**



- Die Aufhängung des Geräts muss 10-mal das Eigengewicht 1 Stunde lang ohne Spuren von Verformung tragen können.
- Die Anlage muss immer mit einer zweiten Sicherheitsvorrichtung z.B. einem geeigneten Fallnetz abgesichert werden. Die zweite Sicherheitsvorrichtung muss so gebaut sein, dass keine Teile des Geräts auf den Boden fallen können, falls die Hauptbefestigung nachgibt.
- Achten Sie drauf, dass sich während der Montage, Demontage und Wartung keine Personen unter dem Montageplatz befinden.
- Der Benutzer muss sicherstellen, dass alle sicherheitstechnischen Anlagen von einem Fachmann geprüft werden, bevor er die Anlage zum ersten Mal in Betrieb nimmt oder nach Änderungen der Anlage.
- Der Benutzer muss sicherstellen, dass die Anlage einmal im Jahr von einem Fachmann geprüft wird.
- Das Gerät muss an einem Ort angebracht werden, wo es nicht von Personen erreicht werden kann und wo sich keine Personen weder stehend noch sitzend aufhalte.



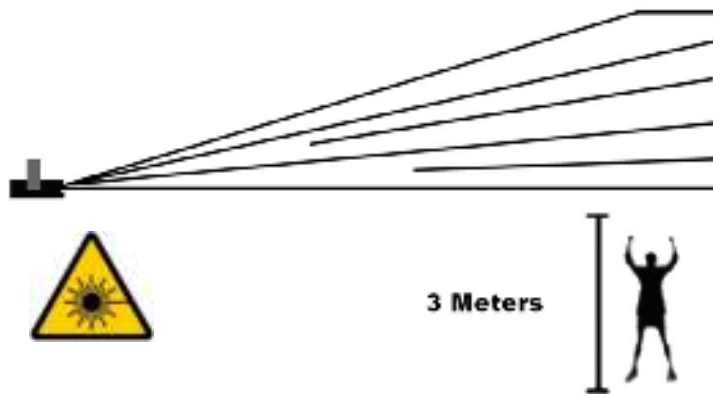
**VORSICHT: Beim Installieren des Geräts darauf achten, dass sich keine brennbaren Materialien (Dekorationsartikel usw.) in weniger als 0,5m Entfernung befinden.**





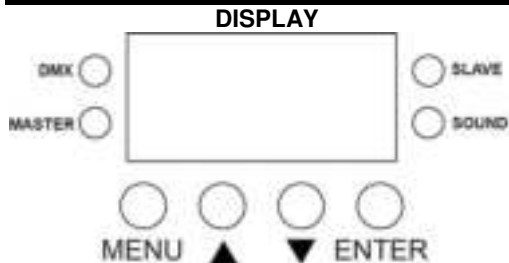
## MONTAGE UND BEDIENUNG

Das Gerät muss aufgehängt werden. Aus Sicherheitsgründen ist es empfehlenswert, den Lichteffekt mit einem geeigneten Haken und Sicherheitskabel zu befestigen. Geeignetes Material erhalten Sie bei Ihrem Fachhändler für Lichteffektgeräte. Internationale Laser Sicherheitsbestimmungen verlangen, dass Laser wie unten abgebildet eingesetzt werden, in einer Mindesthöhe von 3m über dem Boden. Hinzu kommt ein horizontaler Abstand von 2,5m zwischen dem Laser und dem Publikum.



**VORSICHT: Die Ausführung von Befehlen, Einstellungen und Handlungen, die nicht in dieser Anleitung beschrieben sind, können zu gefährlichen Laserstrahlungen führen.**

## WIE ZU VERWENDEN



Mit Hilfe der vier Funktionstasten auf der Oberseite des Gerätes können Sie die Betriebsweise des Lasers eingestellt. Drücken Sie die Taste **MENU**, um die verschiedenen Funktionen (siehe Tabelle unten finden Sie eine Beschreibung der Funktionen) anzuzeigen.

Verwenden Sie die **UP** oder **DOWN** Taste, um Ihre Auswahl zu treffen. Wenn Sie den gewünschten Modus gewählt haben, drücken Sie die **ENTER** Taste, um die Änderung zu bestätigen.

Drücken Sie **MENU**, ein bisschen länger, um die zuletzt gespeicherten Modus ausführen oder warten Sie 15 Sekunden, um es automatisch zu beenden, und führen Sie dann den zuletzt gespeicherten Modus.

DISPLAY MENU		
Modus	Beschreibung	
<b>Addr</b>	DMX Startadresse	Dies wird mit Hilfe der <b>UP</b> oder <b>DOWN</b> Tasten geändert (1-512).
<b>SLnd</b>	NAST – Master unit	Drücken Sie die <b>ENTER</b> Taste, um zu bestätigen, dass dieses Gerät würde der Master Einheit.
	SLAU – Slave unit	Drücken Sie die <b>ENTER</b> Taste, um zu bestätigen, dass dieses Gerät würde der Slave Einheit.
<b>Shnd</b>	Auto-Modus	Drücken Sie die <b>ENTER</b> Taste und verwenden Sie die <b>UP</b> oder <b>DOWN</b> Taste, um Auto oder Sound-Modus zu wählen.
	Sound-Modus	
<b>SPEE</b>	Auto Geschwindigkeits	Einstellung von SP-1 und SP-9
<b>LED</b>	LED an / LED ist automatisch ab	Wenn Sie die Option OFF wählen, wird die LED-Anzeige schaltet sich nach 20 Sekunden Inaktivität. Wenn Sie die Option ON wählen, wird die LED-Anzeige permanent eingeschaltet bleiben.
<b>dISP</b>	Einstellung Anzeige	Die Option <b>dis</b> wird die LED-Anzeige in einem Standardformat zu zeigen. <b>DSIP</b> die Anzeige umzukehren.
<b>FhrS</b>	Lebenszeit	Zeigt die Gesamtverarbeitungszeit des Lasers.
<b>Vers</b>	Software-Version	Zeigt die aktuelle Software-Version, die von dem Laser verwendet.

## LASER INDIKATORANWEISUNG

Die drei RGB-Tasten auf der Oberseite des Lasers steuern die Laserfarben. RGB entspricht Rot, Grün und Blau-Laserdiode.

Wenn Sie eine Taste gedrückt wird und die zugehörige LED leuchtet, wird der Laser diese Farbe zu zeigen. Wenn die Taste erneut gedrückt und die entsprechende LED blinkt, wird der Laser Farbe nach dem Zufall angezeigt. Wenn die Taste erneut gedrückt und die entsprechende LED nicht leuchtet, wird die entsprechende Farbe durch den Laser angezeigt werden.

Wenn Sie 2 oder 3 Farblaser verwenden, der Laser verwendet die Laser Farben zufällig (mit der Fernbedienung, feste Farbe wählen).

## FERNBEDIENUNG



### Tastenfunktion:

- A. Auto/ Sound-Aktiv
- B. Blackout / Standby
- C. Farben-Einstellung (RGB)
- D. Richtung / Gobo (Auto Geschwindigkeit von SP1 bis SP9)

**Hinweis :** Wenn die Fernbedienung nicht funktioniert, und in einem Schlafmodus, drücken Sie die Farbtaste, um es zu entsperren.

**Achtung:** Die max Arbeitsabstand von Fernbedienung ist 50M. Es darf keine Barriere zwischen dem Laser und der Fernbedienung sein. Sonst wäre es die max Abstand beeinflussen.

**Wenn der Laser nicht mit der mitgelieferten Fernbedienung funktioniert folgen Sie den Anweisungen unten.**

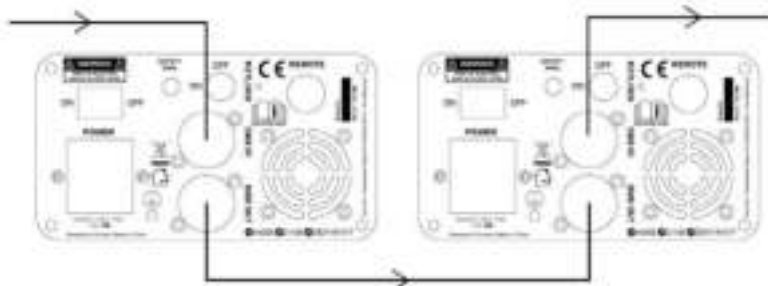
Drücken Sie die Taste **MENU** und **ENTER** gleichzeitig drücken, das Licht rechts unten auf der LED-Anzeige leuchtet auf, dann beide Tasten. Drücken Sie dann eine beliebige Taste auf der drahtlosen Fernverbindung, um die Anzeige in der rechten unteren LED-Anzeige sollte viermal blinken, dass das Gerät und die drahtlose Fernbedienung angeschlossen werden und zusammenarbeiten,

**Den Laser nicht zu bedienen über die mitgelieferte Fernbedienung folgen Sie den nachstehenden Anweisungen.**

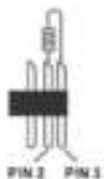
Drücken Sie die Taste **MENU** und **ENTER** gleichzeitig drücken, das Licht rechts unten auf der LED-Anzeige leuchtet auf, halten Sie die beiden Tasten, bis die Anzeige erlischt. Wenn das Licht ausgeht, das Gerät und die Fernbedienung nicht mehr gebunden und werden nicht zusammenarbeiten.

## DMX-512 ANSCHLUSS

Wenn Sie einen standard Controller verwenden, können Sie den DMX-Ausgang des Controllers direkt mit dem DMX-Eingang des ersten Gerätes der DMX-Kette verbinden. Verbinden Sie immer einen Ausgang mit dem Eingang des nächsten Gerätes bis alle Geräte angeschlossen sind. Sollen DMX-Controller mit 5-polige XLR-Ausgängen angeschlossen werden, müssen 5-polige nach 3-polige Adapter verwendet werden.



Achtung, Am letzten Gerät muss das DMX-Kabel durch einen Abschlusswiderstand abgeschlossen werden. Dazu wird ein XLR-Stecker in den DMX-Ausgang am letzten Gerät gesteckt, bei dem zwischen Signal (-)und Signal (+) ein 120 Ohm Widerstand eingelötet ist.



## DMX ADRESSE EINSTELLUNG

Beim Betrieb des Lasers (oder Laser) mit einer DMX-Steuerung jeder Laser muss einer bestimmten DMX-Adresse eingestellt werden. Sie können alle Laser mit der gleichen DMX-Adresse, oder Sie können jeden Laser mit eigenen DMX-Adresse.

Wenn alle Laser mit der gleichen DMX-Adresse, werden sie alle dieselbe DMX-Signal zu empfangen. Wenn auf diese Weise betrieben, werden alle Laser auf die gleiche Weise arbeiten, Sie jeden Laser einzeln nicht kontrollieren können werden sie alle erhalten die gleiche DMX-Signal und gleichzeitig reagieren. Wenn alle Laser arbeiten mit der gleichen DMX-Adresse können Sie nicht getrennt Betreiben der Laser.

Wenn Sie jeden Laser mit einem anderen DMX-Adresse, werden diese DMX-Signal aus dem eigenen DMX-Adresse. Jetzt können Sie jeden Laser individuell steuern. Die DMX-Adresse, die Sie setzen für jeden Laser wird durch die Anzahl der Kanäle des Lasers bestimmt. In dieser Situation wird der Laser mit 5 DMX-Kanäle, die DMX-Adresse des ersten Lasers ist 1, der zweite Laser sollte die DMX-Adresse 6 (5 + 1) eingestellt werden, der dritte Laser DMX-Adresse eingestellt werden 11 (5 + 6), etc.

## MASTER/SLAVE

Wenn der Laser in einer Master / Slave-Modus und das Gerät ist das Master-Gerät, können Sie das Auto laufen und Ton aktivierte Funktion. Wenn der Laser ist eine Slave-Einheit wird es dem Meister zu folgen und **SLAU** wird im Display angezeigt. Wenn kein Signal vorhanden ist, wird **Stey** in der Anzeige. Bei der Verwendung von DMX, wird die LED-Anzeige **Adr** zeigen, wenn es einen DMX512-Signal empfängt.

## SICHERUNGSWECHSEL

Wenn die Feinsicherung des Gerätes defekt ist, darf diese nur durch eine Sicherung gleichen Typs ersetzt werden. Vor dem Sicherungswechsel ist das Gerät allpolig von der Netzspannung zu trennen (Netzsteckerziehen).

Vorgehensweise:



- Schritt 1: Öffnen Sie den Sicherungshalter an der Geräterückseite mit einem passenden Schraubendreher.
- Schritt 2: Entfernen Sie die defekte Sicherung aus dem Sicherungshalter.
- Schritt 3: Setzen Sie die neue Sicherung in den Sicherungshalter ein.
- Schritt 4: Setzen Sie den Sicherungshalter wieder im Gehäuse ein.

## REINIGUNG UND WARTUNG

Der inneren und äußeren optischen Linsen und / oder Spiegel müssen regelmäßig gereinigt werden, um die Lichtleistung zu optimieren. Die Häufigkeit der Reinigung hängt von der Umgebung, in der das: feuchte, verrauchte und besonders verschmutzte Umgebung führen zu größerer Verschmutzung auf den Linsen des Geräts verursachen.

- Stellen Sie sicher, dass der Bereich unterhalb des Geräts befinden sich keine unbefugten Personen im Servicefall.
- Alle Schrauben, mit denen das Gerät oder Geräteteile montiert sind, müssen fest sitzen und dürfen nicht korrodiert sein.
- An Gehäuse, Befestigungen und Montageort (Decke, Abhängung, Traverse) dürfen keine Verformungen sichtbar sein.
- Die elektrischen Anschlussleitungen dürfen keinerlei Beschädigungen, Materialalterung (z.B. poröse Leitungen) oder Ablagerungen aufweisen. Um den Laser vor Überhitzung Lüfter und Lüftungsschlitze sollten monatlich gereinigt werden, zu schützen.
- Das Objektiv und Spiegel sollten regelmäßig gereinigt werden. Diese Zeit ist abhängig von der vorhandenen Schmutz.
- Reinigen Sie es nur mit einem trockenen Tuch.
- Auf keinen Fall Alkohol oder irgendwelche Lösungsmittel zur Reinigung verwenden!
- Reinigen Sie das Objektiv sauber mindestens einmal im Monat.
- Änderungen, ohne dass Sie den vom Hersteller geändert informieren.

**ACHTUNG: Wartungs- und Servicearbeiten sind ausschließlich dem autorisierten Fachhandel vorbehalten!**

Enhorabuena por la compra de este efecto de luces Beamz. Por favor lea atentamente este manual antes de usar el aparato para disfrutar al completo de sus prestaciones.

Seguir las instrucciones le permite no invalidar la garantía. Tome todas las precauciones para evitar que se produzca fuego o una descarga eléctrica. Las reparaciones solo deben llevarse a cabo por técnicos cualificados para evitar descargas eléctricas. Guarde el manual para futuras consultas. Antes de usar el aparato, por favor pida consejo a un profesional. Cuando el aparato se enciende por primera vez, suele sentirse cierto olor. Esto es normal y desaparece al poco tiempo.

- Este aparato contiene piezas que llevan voltaje. Por lo tanto NO abra la carcasa.
- No coloque objetos metálicos o vierta líquidos dentro del aparato. Podría producir descargas eléctricas y fallos en el funcionamiento.
- No coloque el aparato cerca de fuentes de calor tipo radiadores, etc. No coloque el aparato en superficies vibratorias. No tape los agujeros de ventilación.
- Este aparato no está preparado para un uso continuado.
- Tenga cuidado con el cable de alimentación y no lo dañe. Un daño o defecto en el cable de alimentación puede producir una descarga eléctrica o fallo en el funcionamiento.
- Cuando desconecte el aparato de la toma de corriente, siempre tire de la clavija, nunca del cable.
- No enchufe o desenchufe el aparato con las manos mojadas.
- Si la clavija y/o el cable de alimentación están dañados, necesitan reemplazarse por un técnico cualificado.
- Si el aparato está dañado de modo que puedan verse sus partes internas, NO conecte el aparato a la toma de corriente y NO lo encienda. Contacte con su distribuidor. NO conecte el aparato a un reostato o dimmer.
- Para evitar un fuego o peligro de descarga, no exponga el aparato a la lluvia y a la humedad.
- Todas las reparaciones deben llevarse a cabo exclusivamente por técnicos cualificados.
- Conecte el aparato a una toma de corriente con toma de tierra (220-240Vca/50Hz) protegida por un fusible de 10-16A.
- Durante una tormenta o si el aparato no va a usarse durante un periodo largo de tiempo, desconéctelo de la toma de corriente. La regla es: Desconéctelo si no lo va a usar.
- Si el aparato no se ha usado en mucho tiempo puede producirse condensación. Deje el aparato a temperatura ambiente antes de encenderlo. Nunca utilice el aparato en ambientes húmedos o en el exterior.
- Durante el funcionamiento, la carcasa se calienta muchísimo. No la toque durante el funcionamiento o inmediatamente después.
- Para prevenir accidentes en las empresas, debe seguir las directrices aplicables y seguir las instrucciones.
- Asegure el aparato con una cadena de seguridad extra si el aparato se monta en un techo. Utilice un sistema de truss con ganchos. Asegúrese de que nadie permanece en el área de montaje. Monte el efecto a una distancia de al menos 50cm de materiales inflamables y deje un espacio de al menos 1 metro a cada lado para permitir que haya suficiente ventilación.
- Este aparato contiene LEDs de alta luminosidad. No mire a la luz del LED para evitar daños en su vista.
- No lo apague y encienda repetidamente. Esto acorta su tiempo de vida.
- Mantenga el aparato fuera del alcance de los niños. No deje el aparato sin vigilancia.
- No utilice sprays limpiadores para limpiar los interruptores. Los residuos de estos sprays producen depósitos de polvo y grasa. En caso de mal funcionamiento, siempre consulte a un profesional.
- Solo maneje el aparato con las manos limpias.
- No fuerce los controles.
- Si el aparato se ha caído, siempre haga que lo verifique un técnico cualificado antes de encenderlo otra vez.
- NO utilice productos químicos para limpiar el aparato. Dañan el barniz. Tan solo límpielo con un trapo seco.
- Manténgalo lejos de equipos electrónicos ya que pueden producir interferencias.
- Solo utilice recambios originales para las reparaciones, de otro modo pueden producirse daños serios y/o radiaciones peligrosas.
- Apague el aparato antes de desconectarlo de la toma de corriente y/o de otros equipos. Desconecte todos los cables y conexiones antes de mover el aparato.
- Asegúrese de que el cable de alimentación no puede dañarse cuando la gente lo pise. Compruebe el cable de alimentación antes de cada uso por si hay daños o defectos.
- El voltaje de funcionamiento es 220-240Vca/50Hz. Compruebe que la toma de corriente coincide. Si tiene que viajar, asegúrese de que el voltaje del país es el adecuado para este aparato.
- Guarde el embalaje original para poder transportar el aparato en condiciones seguras.



Esta señal advierte al usuario de la presencia de alto voltaje en el interior de la carcasa y que es de la suficiente magnitud como para producir una descarga eléctrica.



Esta señal advierte al usuario de que el manual contiene instrucciones importantes que han de leerse y seguirse al pie de la letra.



NO MIRE DIRECTAMENTE A LAS LENTES. Puede dañarle la vista. Las personas propensas a tener ataques epilépticos deben tener en cuenta los efectos que este efecto de luces puede tener en ellos. Este aparato ha obtenido el certificado CE. Está prohibido hacer cambios en el aparato. ¡Invalidaría el certificado CE y su garantía!

**NOTA:** Para asegurarse de que el aparato funcione correctamente, debe usarse en ambientes a una temperatura de entre 5°C/41°F y 35°C/95°F.



Los productos electrónicos no pueden tirarse a la basura normal. Por favor lleve este producto a un centro de reciclaje. Pregunte a la autoridad local en caso de duda. Las especificaciones son generales. Los valores actuales pueden variar de una unidad a otra. Las especificaciones pueden variar sin previo aviso.

# SEGURIDAD DEL LÁSER



**Existe peligro de lesión láser potencial con este producto! Lea atentamente estas instrucciones, que incluye información importante acerca de la instalación, el uso seguro y el servicio!**



## PRECAUCIÓN

- Evite el contacto visual directo con la luz del láser. Nunca exponga intencionalmente los ojos u otras personas para dirigir la luz láser ..
- Este producto láser puede potencialmente causar lesiones en los ojos o ceguera instantánea si la luz láser golpea directamente a los ojos.
- Es ilegal y peligroso usar este láser en las áreas de la audiencia, donde el público u otro personal pueden obtener rayos láser directos o de reflejos brillantes en sus ojos.
- Es un delito apuntar cualquier láser a los aviones.
- No hay piezas reparables por el usuario dentro de la unidad. No abra la carcasa ni intente ninguna reparación usted mismo. En el caso improbable de que su unidad puede requerir servicio, por favor póngase en contacto con su distribuidor ..
- El uso de controles o ajustes o la realización de procedimientos distintos a los especificados aquí puede provocar una exposición peligrosa a la radiación.



## PARE Y LEA TODA LA INFORMACIÓN DE SEGURIDAD PARA EL LÁSER

La luz láser es diferente de cualquier otra fuente de luz con la que usted puede estar familiarizado. La luz de este producto potencialmente puede causar lesiones en los ojos si no se establece y se utiliza correctamente. La luz del láser es miles de veces más concentrada que la luz de cualquier otro tipo de fuente de luz. Esta concentración de energía de la luz puede causar lesiones oculares instantáneas, principalmente por la quema de la retina (la parte sensible a la luz en la parte posterior del ojo). Incluso si usted no puede sentir el "calor" de un rayo láser, aun así puede llegar herir o usted o su público cegar. Incluso cantidades muy pequeñas de luz láser son potencialmente peligrosas, incluso a largas distancias. Lesiones en los ojos con láser pueden suceder más rápido de lo que puede parpadear.

Es incorrecto pensar que debido a que estos productos de entretenimiento láser dividieron el láser en cientos de vigas o rayo láser se escanea en alta velocidad, que un haz láser individual es seguro para la exposición de los ojos. Este producto láser utiliza docenas de mini-vatios de potencia del láser (niveles de Clase 3B internamente). Muchos de los haces individuales son potencialmente peligrosos para los ojos.

También es incorrecto suponer que debido a que la luz del láser se mueve, que es seguro. Esto no es cierto. Tampoco, lo hacen los rayos láser siempre se mueven. Desde lesiones en los ojos pueden ocurrir al instante, es crítico para evitar la posibilidad de cualquier exposición directa del ojo. En la regulación de la seguridad del láser, no es legal para apuntar el láser de Clase 3B en áreas que las personas pueden quedar expuestas. Esto es cierto incluso si se dirige por debajo de las caras de la gente, como en una pista de baile.

- No opere con láser sin antes leer y entender todos los datos de seguridad y técnicas en este manual
- Siempre configurar e instalar todos los efectos de láser de manera que toda la luz láser es por lo menos 3 metros (9,8 pies) por encima del piso en el que la gente puede estar de pie. Vea la sección más adelante en este manual
- Después de configurar, y antes de su uso público láser de prueba para asegurar su correcto funcionamiento. No lo utilice si se detecta cualquier defecto. No utilizar si el láser emite sólo uno o dos rayos láser en lugar de decenas / cientos, ya que esto podría indicar daños en la óptica de rejilla de difracción, y podría permitir la emisión de niveles láser superiores.
- No apunte el láser a personas o animales.
- Nunca mire a la apertura del láser o rayos láser
- No apunte el láser en las zonas en las que las personas potencialmente pueden quedar expuestos, tales como balcones incontrolados, etc.
- No apunte el láser a superficies altamente reflectantes tales como ventanas, espejos y metal brillante. Incluso los reflejos del láser pueden ser peligrosos.
- Nunca apunte un láser a los aviones, este es un delito federal
- Nunca apunte hacia el cielo rayos láser terminados en la ONU
- No exponga la óptica de salida (apertura) a los productos químicos de limpieza
- No utilice láser si el láser parece estar emitiendo solamente uno o dos haces
- No utilice el láser si la vivienda está dañado o abierto, o si la óptica aparecer dañado de alguna manera.
- No abra nunca la carcasa del láser. Los altos niveles de potencia de láser en el interior de la carcasa de protección pueden iniciar incendios, quemar la piel y causan lesiones en los ojos al instante.
- Nunca deje este aparato en funcionamiento sin vigilancia.
- Sólo se permite la operación de un láser de clase 3B si el espectáculo es controlado por un operador experto y bien entrenado familiarizado con los datos incluidos en este manual.
- Los requisitos legales para el uso de productos de entretenimiento láser varían de país a país. El usuario es responsable de los requisitos legales en el lugar / país de uso.
- Utilice siempre los cables de seguridad de iluminación adecuadas al colgar luces y efectos de arriba.

## INSTRUCCIONES DE DESEMBALAJE

CUIDADO! Inmediatamente después de recibir un aparato, desempaqué cuidadosamente la caja de cartón, compruebe el contenido para asegurarse de que todas las partes están presentes, y se han recibido en buenas condiciones. Notifique inmediatamente al transportista y conservar el material de embalaje para la inspección si alguna pieza aparezcan daños causados por el transporte o el propio envase muestra signos de mal manejo. Guarde el paquete y todos los materiales de embalaje. En el caso de que un aparato deba ser devuelto a la fábrica, es importante que el aparato sea devuelto en la caja original de fábrica y embalaje.

Contenido:

- MegaCluster Laser RGB
- MegaCluster Laser RGB Mando de control remoto
- Cable alimentación
- Manual

Si el aparato ha estado expuesto a grandes cambios de temperatura (pe tras el transporte), no lo enchufe inmediatamente. La condensación de agua producida podría dañar su aparato. Deje el dispositivo apagado hasta que se haya alcanzado la temperatura ambiente.

## FUENTE DE ALIMENTACIÓN

En la etiqueta de la parte posterior del efecto luminoso se indica a que este tipo de fuente de alimentación debe estar conectado. Compruebe que la tensión de red corresponda a esto, todos los otros voltajes a la especificada, el efecto de la luz puede ser irreparable. El efecto de luz también debe estar conectado directamente a la red y puede ser utilizado. No dimmer o fuente de alimentación ajustable.

## INSTALACIÓN



**PRECAUCIÓN: Por favor, considere las respectivas normas nacionales durante la instalación! La instalación sólo debe ser realizada por un empleado autorizado o distribuidores!**

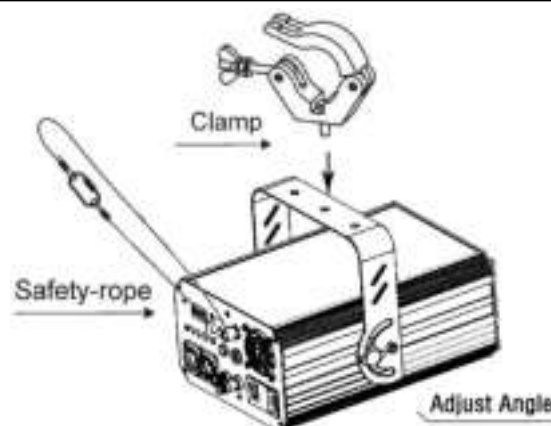


Atención:

- La instalación del aparato debe ser de una manera que puede soportar 10 veces el peso durante 1 hora sin sufrir deformaciones dañosas.
- La instalación siempre debe ser efectuada con un accesorio de seguridad secundario, por ejemplo, una red de anclaje adecuado. Este accesorio de seguridad secundario debe ser instalado de una manera que ninguna parte de la instalación puede caer si falla el accesorio principal.
- Asegúrese de que el área por debajo del sitio de instalación está libre de personas ajenas durante el montaje, desmontaje o mantenimiento.
- El operador tiene que asegurarse de que las instalaciones de seguridad y de máquinas son inspeccionados por un experto antes de tener en funcionamiento por primera vez y después de los cambios antes de tener en funcionamiento otra vez.
- El operador tiene que asegurarse de que las instalaciones de seguridad y de máquinas son inspeccionados por un experto una vez por año.
- El aparato debe ser instalado en la posición en la que las personas no pueden llegar y donde las personas puedan caminar o sentarse.



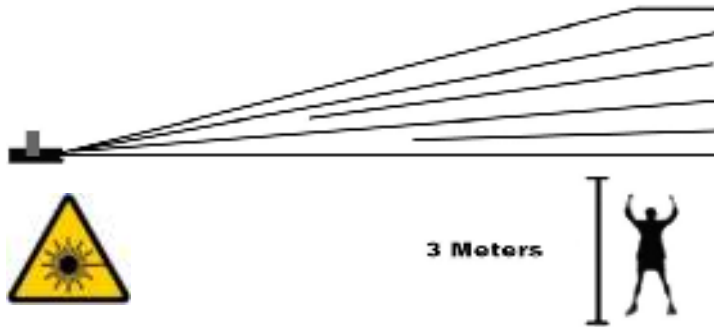
**PRECAUCIÓN: Cuando instale el dispositivo, asegúrese de que no hay muy en material inflamable (artículos de decoración, etc) en una distancia de entre metro 0.5 m.**



## ONFIGURACIÓN Y USO

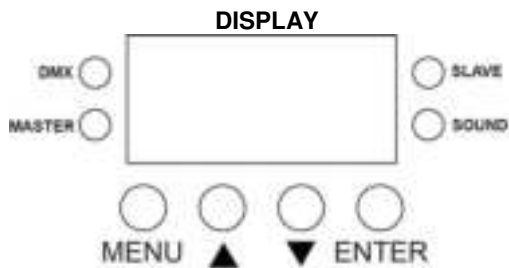
Este accesorio ha sido diseñado para ser colgado. Se recomienda por motivos de seguridad, sea montado adecuadamente mediante una abrazadera colgante y un cable de seguridad. Los productos adecuados para el montaje seguro y eficaz se obtienen de su proveedor de iluminación.

Las regulaciones internacionales de seguridad láser requieren que los láseres deben ser operados de la manera que se ilustra a continuación, con un mínimo de 3 metros (9,8 pies) de separación vertical entre el suelo y la luz láser de baja verticalmente. Además, 2,5 metros de separación horizontal se requiere entre la luz láser y el público u otros espacios públicos.



**PRECAUCIÓN:** El uso de controles, ajustes o la realización de procedimientos distintos a lo que se especifica en este documento puede provocar una exposición peligrosa a la radiación

## MODO DE EMPLEO



Usando los cuatro botones de función en la parte superior de la unidad se puede ajustar el modo de funcionamiento del láser. Pulse el botón **MENU** para mostrar las diferentes funciones (véase la tabla siguiente para obtener una descripción de las funciones).







Utilice los botones de flecha arriba o abajo para hacer su selección. Cuando haya elegido el modo deseado, pulse el botón **ENTER** para confirmar el cambio.

Pulse **MENU** más tiempo para ejecutar el modo de guardado más reciente o espere 15 segundos para salir automáticamente y ejecute el modo de guardado más reciente.

### DISPLAY MENU

Modo	Descripción	
<b>Adrr</b>	Inicio dirección DMX	Se cambia usando los botones <b>UP</b> o <b>DOWN</b> (1-512)
<b>SLnd</b>	NAST – Unidad maestra	Presionar el botón <b>ENTER</b> para confirmar que esta unidad será la unidad Maestra
	SLAU – Unidad esclava	Presionar el botón <b>ENTER</b> para confirmar que esta unidad será la unidad Esclava
<b>Shnd</b>	Modo automatic	Presionar el botón <b>Enter</b> y usar los botones <b>UP</b> o <b>DOWN</b> para elegir modo Auto o de Sonido.
	Modo controlado por sonido	
<b>SPEE</b>	Velocidad automática	Ajuste de SP-1 a SP-9
<b>LED</b>	LED on/off automático	Si elige la opción OFF, la pantalla LED se apagará después de 20 segundos de inactividad. Si elige la opción ON, la pantalla LED se mantendrá permanentemente encendida.
<b>dISP</b>	Configuración de display	La opción dIS mostrará la pantalla de LED en un formato estándar. DSIP invertirá la pantalla.
<b>FhrS</b>	Tiempo de la luz	Muestra el tiempo total de trabajo del láser.
<b>Vers</b>	Versión del Software	Indica la versión actual del software que está utilizando el láser.

## INSTRUCCIONES DE INDICACIÓN DEL LASER

- R**   Los tres botones del RGB en la parte superior de la unidad de control de los colores de la salida del láser. RGB corresponde con diodo láser rojo, verde y azul, respectivamente.
- G**   Cuando se pulsa un botón y su correspondiente LED se ilumina, el láser ejecutará ese color. Cuando se vuelve a pulsar el botón y su correspondiente LED parpadea, el color se ejecutará de forma aleatoria. Cuando se pulsa de nuevo el botón y el LED está apagado, el color correspondiente no se emitirá.
- B**   Cuando use el botón para elegir 2 colores o 3 colores, el valor predeterminado es el cambio de color al azar (utilice el mando a distancia para seleccionar color fijo).

## CONTROL REMOTO



### Función botones:

- E. Modo Auto/Sound
- F. Blackout / Standby
- G. Selección color
- H. Dirección / Gobo (Velocidad Auto de SP1 a SP9)

**Nota** : Cuando el control remoto no está funcionando y en sleep mode, pulse los botones RGB para desbloquearlo.

**Precaución** : La distancia de trabajo máxima de mando a distancia es 50M. No debe haber ninguna barrera entre el láser y el control remoto. De lo contrario, afectaría a la distancia máxima.

### Si la unidad no funciona con el mando a distancia siga las siguientes instrucciones.

Mantenga pulsado el botones MENU y ENTER al mismo tiempo, la luz indicadora en la parte inferior derecha de la pantalla LED se encenderá, luego suelte ambos botones. A continuación, pulse cualquier botón del mando a distancia inalámbrico para hacer la conexión, la luz indicadora en la parte inferior derecha de la pantalla LED debería parpadear cuatro veces para indicar que la unidad y el mando a distancia inalámbrico se emparejan y pueden trabajar juntos.

### Para parar que la unidad funcione con el mando a distancia suministrado

Mantenga pulsado el botones MENU y ENTER al mismo tiempo, la luz indicadora en la parte inferior derecha de la pantalla LED se iluminará, seguir sosteniendo los dos botones y no lo suelte hasta que la luz indicadora se apague. Cuando la luz del indicador se apaga, la unidad y el control remoto inalámbrico ya no emparejado ya no trabajarán juntos.

## CONFIGURACIÓN DIRECCIÓN DMX

Cuando se controla el láser (o rayos láser) con un controlador DMX, cada aparato debe configurarse con una dirección DMX específica. Cuando el láser recibe una señal, recibirá la señal de control de canal desde el controlador DMX512.

Usted puede optar por configurar todos los láseres con la misma dirección DMX o puede establecer cada láser con su propia dirección DMX.

Si todos los láseres se establecen con la misma dirección DMX, recibirán la señal DMX desde esta dirección DMX. Si se opera de esta manera, todos los láseres funcionarán de la misma manera, no se puede controlar cada láser por separado.

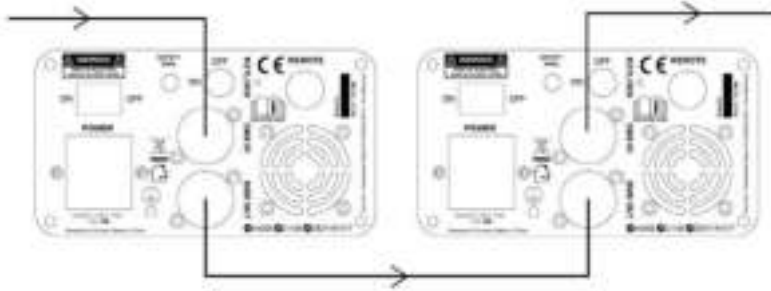
Si establece cada aparato con una dirección DMX diferente, recibirán la señal DMX desde su propia dirección DMX. Ahora será capaz de controlar individualmente cada láser. La dirección DMX que establezca para cada láser debe ser determinada por el número de canales. En esta situación, el láser usa 5 canales DMX, fijar la dirección DMX de la primera unidad a 1, la segunda unidad entonces se debe establecer para hacer frente a 6 (5 + 1), la tercera unidad se debe establecer en 11 (5 + 6). Usted tendrá que ajustar la dirección DMX de cada láser en la cadena de esta manera.



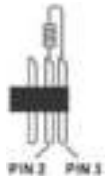
## CONEXIÓN DMX-512

Si está usando un controlador DMX estándar, puede conectar la salida DMX del controlador directamente con la entrada DMX del primer aparato de la cadena DMX. Conecte la salida del primer aparato con la entrada del próximo aparato hasta que estén conectados todos los aparatos.

Si utiliza un controlador con conexión DMX de 5 pines, tendrá que utilizar un 5 pines para adaptador de 3 pines.



Precaución en el último dispositivo, el cable DMX tiene que terminar. Suelde una resistencia de 120 ohmios entre la señal (-) y la señal (+) en un conector XLR de 3 pines, que conectará a la salida DMX del último aparato de la cadena.



## MAESTRO/ESCLAVO

Si el láser está en una cadena de maestro / esclavo y la unidad es la unidad principal, puede ejecutar la función Auto y la función sonido. Cuando el láser es una unidad esclava seguirá al Maestro y se mostrará SLAU en la pantalla. Cuando no hay señal, se mostrará Stey en la pantalla. Al usar DMX, la pantalla LED mostrará Dir cuando recibe una señal DMX512.



Cuando funciona el láser en modo maestro / esclavo: hay indicadores R, G, B para cada Rojo, Verde y Azul, pulse el botón situado junto al indicador para encender / apagar el respectivo diodo láser, si el indicador LED está encendido, el respectivo diodo láser estará encendido, cuando el indicador LED está apagado, el respectivo diodo láser estará apagado..

## CAMBIANDO EL FUSIBLE

Si el fusible está defectuoso, reemplace el fusible por un fusible del mismo tipo y valor. Antes de sustituir el fusible, desconectar de la corriente.

Procedimiento:



- Paso 1: Abra el portafusibles del panel trasero con un destornillador adecuado.
- Paso 2: Retire el fusible viejo del portafusibles.
- Paso 3: Instale el fusible nuevo en el portafusibles.
- Paso 4: Vuelva a colocar el portafusibles en la caja.

## LIMPIEZA

La limpieza de lentes y / o espejos internos y externos debe ser llevada a cabo periódicamente para optimizar la salida de luz. La frecuencia de limpieza depende del entorno en el que el aparato funciona: humedad, a humo o especialmente sucios rodea puede causar una mayor acumulación de suciedad en la óptica de la unidad.

- Asegúrese de que el área por debajo del sitio de instalación está libre de personas ajenas durante la reparación
- Carcasas, fijaciones y puntos de instalación (techos, armaduras, suspensiones) deberán estar totalmente libres de ninguna deformación
- Los cables de red deberán estar en perfecto estado y deberán reemplazarse inmediatamente incluso cuando se detecta un pequeño problema
- Para proteger el aparato de sobrecalentamiento, los ventiladores de refrigeración (si las hubiera) y las aberturas de ventilación deberán limpiarse mensualmente.
- El interior del aparato debería ser limpiado anualmente usando una aspiradora o chorro de aire.
- Limpie con un paño suave utilizando un fluido normal de limpieza de cristales.
- Seque siempre las piezas con cuidado.
- Limpie las ópticas externas al menos cada mes. Limpie los elementos ópticos internos al menos cada 30/60 días.

**ATENCIÓN: Se recomienda encarecidamente que la limpieza interna sea llevada a cabo por trabajador cualificado!**

Nous vous remercions d'avoir acheté un appareil Beamz. Veuillez lire la présente notice avant l'utilisation afin de pouvoir en profiter pleinement.

Veuillez lire la notice avant utilisation. Respectez impérativement les instructions afin de continuer à bénéficier de la garantie. Prenez toutes les précautions nécessaires pour éviter tout incendie ou décharge électrique. Seul un technicien spécialisé peut effectuer les réparations. Nous vous conseillons de conserver la présente notice pour pouvoir vous y reporter ultérieurement.

- Avant d'utiliser l'appareil, prenez conseil auprès d'un spécialiste. Lors de la première mise sous tension, il est possible qu'une odeur soit perceptible. C'est normal, l'odeur disparaîtra peu de temps après.
- L'appareil contient des composants porteurs de tension. N'OUVREZ JAMAIS le boîtier.
- Ne placez pas des objets métalliques ou du liquide sur l'appareil, cela pourrait causer des décharges électriques et dysfonctionnements.
- Ne placez pas l'appareil à proximité de sources de chaleur, par exemple radiateur. Ne positionnez pas l'appareil sur une surface vibrante. N'obtenez pas les ouïes de ventilation.
- L'appareil n'est pas conçu pour une utilisation en continu.
- Faites attention au cordon secteur, il ne doit pas être endommagé.
- Lorsque vous débranchez l'appareil de la prise secteur, tenez-le par la prise, ne tirez jamais sur le cordon.
- Ne branchez pas et ne débranchez pas l'appareil avec les mains mouillées.
- Seul un technicien spécialisé peut remplacer la fiche secteur et / ou le cordon secteur.
- Si l'appareil est endommagé et donc les éléments internes sont visibles, ne branchez pas l'appareil, NE L'ALLUMEZ PAS. Contactez votre revendeur. NE BRANCHEZ PAS l'appareil à un rhéostat ou un dimmer.
- Pour éviter tout risque d'incendie ou de décharge électrique, n'exposez pas l'appareil à la pluie ou à l'humidité.
- Seul un technicien habilité et spécialisé peut effectuer les réparations
- Branchez l'appareil à une prise 220-240 V/50 Hz avec terre, avec un fusible 10-16 A.
- Pendant un orage ou en cas de non utilisation prolongée de l'appareil, débranchez l'appareil du secteur.
- En cas de non utilisation prolongée de l'appareil, de la condensation peut être créée. Avant de l'allumer, laissez l'appareil atteindre la température ambiante. Ne l'utilisez jamais dans des pièces humides ou en extérieur.
- Pendant le fonctionnement, le boîtier est très chaud. Ne le touchez pas pendant le fonctionnement et juste après.
- Afin d'éviter tout accident en entreprise, vous devez respecter les conseils et instructions.
- Assurez l'appareil avec une élingue de sécurité s'il doit être monté au plafond. Utilisez un système de crochets. Assurez-vous que personne ne puisse se trouver sous l'appareil. Il doit être monté à 50 cm au moins de tout matériau inflammable et à un mètre au moins de toute surface pour garantir son bon refroidissement.
- Cet appareil contient des LEDs de grande intensité. Ne regardez pas directement les LEDs pour éviter tout troubles de la vision.
- N'allumez pas et n'éteignez pas l'appareil de manière répétée. Cela réduit sa durée de vie.
- Conservez l'appareil hors de la portée des enfants. Ne laissez pas l'appareil sans surveillance.
- N'utilisez pas d'aérosols pour nettoyer les interrupteurs. Les résidus créent des dépôts et de la graisse. En cas de dysfonctionnement, demandez conseil à un spécialiste.
- Ayez toujours les mains propres pour utiliser l'appareil.
- Ne forcez pas les réglages.
- Si l'appareil est tombé, faites-le toujours vérifier par un technicien avant de le rallumer.
- Pour nettoyer l'appareil, n'utilisez pas de produits chimiques qui abîment le revêtement, utilisez uniquement un tissu sec.
- Tenez toujours l'appareil éloigné de tout équipement électrique pouvant causer des interférences.
- Pour toute réparation, il faut impérativement utiliser des pièces d'origine, sinon il y a risque de dommages graves et / ou de radiations dangereuses.
- Eteignez toujours l'appareil avant de le débrancher du secteur et de tout autre appareil. Débranchez tous les cordons avant de déplacer l'appareil.
- Assurez-vous que le cordon secteur n'est pas abîmé si des personnes viennent à marcher dessus. Avant toute utilisation, vérifiez son état.
- La tension d'alimentation est de 220-240 V~/50 Hz. Vérifiez la compatibilité. Si vous voyagez, vérifiez que la tension d'alimentation du pays est compatible avec l'appareil.
- Conservez l'emballage d'origine pour pouvoir transporter l'appareil en toute sécurité.



Ce symbole doit attirer l'attention de l'utilisateur sur les tensions élevées présentes dans le boîtier de l'appareil, pouvant engendrer une décharge électrique.



Ce symbole doit attirer l'attention de l'utilisateur sur des instructions importantes détaillées dans la notice, elles doivent être lues et respectées.



**NE REGARDEZ PAS DIRECTEMENT LA LENTILLE.** Cela peut créer des troubles de la vision. Les personnes photosensibles et épileptiques doivent prendre en compte les effets que ce jeu de lumière peut causer.

Cet appareil porte le symbole CE. Il est interdit d'effectuer toute modification sur l'appareil. La certification CE et la garantie deviendraient caduques !

**NOTE:** Pour un fonctionnement normal de l'appareil, il doit être utilisé en intérieur avec une plage de température maximale autorisée entre 5°C/41°F et 35°C/95°F.



Ne jetez pas les produits électriques dans la poubelle domestique. Déposez-les dans une déchetterie. Demandez conseil aux autorités locales ou à votre revendeur. Données spécifiques. Les valeurs actuelles peuvent légèrement varier d'un appareil à l'autre. Tout droit de modification réservé sans notification préalable.

# SECURITE DES LASERS



**Le risque de blessures par laser existe avec ce produit. Lisez les instructions avec attention, y compris les points relatifs à l'installation, à l'utilisation en toute sécurité et à l'entretien.**



## Caution

- Evitez tout contact direct des yeux avec le rayon laser. N'exposez jamais volontairement vos yeux à la lumière directe des rayons.
- Le laser peut créer des dommages de la vision ou une cécité si vous regardez directement le rayon laser.
- Il est illégal et dangereux d'utiliser le laser dans des zones où le public ou d'autres personnes peuvent être touchées par des faisceaux laser directs ou être touchés par des réflexions sur leurs yeux.
- Il est interdit de projeter un faisceau laser vers un avion.
- N'ouvrez pas le boîtier et ne tentez pas de réparer vous-même l'appareil. Contactez votre revendeur.
- Toute utilisation des réglages autre que celle spécifiée dans la notice peut engendrer une exposition dangereuse aux rayons lasers.

## LISEZ IMPERATIVEMENT LES AVERTISSEMENTS SUIVANTS SUR LA SECURITE DES LASERS



La lumière des lasers est différente de toute autre source de lumière qui vous est familière. La lumière générée par cet appareil peut causer des dommages oculaires si l'appareil n'est pas correctement installé et utilisé. La lumière d'un laser est des milliers de fois plus concentrée que la lumière produite par toute autre source. Cette concentration de puissance peut causer de manière instantanée des blessures des yeux en brûlant la rétine. Si vous ne pouvez pas sentir la "chaleur" d'un faisceau laser, il peut cependant causer des blessures ou aveugler le public. Même de petites quantités de lumière laser sont potentiellement dangereuses à de grandes distances. Les blessures causées par des lasers peuvent survenir plus vite qu'un simple clignement des yeux.

Il est faux de croire que parce que des jeux de lumière laser d'animation divisent le faisceau laser en des centaines de rayons ou parce que le rayon laser est émis à de grande vitesse, un rayon individuel n'est pas dangereux pour les yeux. Cet appareil produit des douzaines de milli-watts de puissances (laser de classe 3B). Bon nombre de chaque faisceau est dangereux pour les yeux.

Il est faux de croire que parce que le faisceau bouge, il n'y a pas de danger. De même il est faux de croire que les faisceaux bougent tout le temps. Etant donné que les blessures oculaires sont immédiates, il est primordial d'éviter une éventuelle exposition directe. Dans les réglementations en vigueur sur l'utilisation des lasers, il est interdit de diriger les lasers de classe 3B dans des zones où des personnes peuvent être exposées. Cela est vrai même si le faisceau est dirigé sous les visages des personnes, par exemple sur une piste de danse.

- Ne faites pas fonctionner le laser sans avoir lu les conseils d'utilisation de la présente notice.
- Installez et utilisez le laser de telle sorte que le faisceau laser soit toujours à 3 mètres au-dessus du sol. Voir les points suivants dans la notice.
- Une fois l'appareil installé et avant toute utilisation en public, il faut tester l'appareil pour s'assurer de son bon fonctionnement. Ne l'utilisez pas en cas de problème. Ne l'utilisez pas si un seul ou deux rayons sont émis au lieu de centaines, cela indique un dommage sur l'optique de diffraction et pourrait engendrer une émission de niveaux de laser élevés.
- Ne pointez pas de faisceau laser vers les hommes ou animaux.
- Ne regardez pas dans l'ouverture du laser ou directement les rayons.
- Ne pointez pas les faisceaux laser dans des zones où des personnes peuvent être exposées.
- Ne pointez pas les faisceaux laser vers des surfaces réfléchissantes telles que fenêtres, miroirs, pièces métalliques. Même des réflexions de faisceau laser sont dangereuses.
- Ne pointez pas de faisceau laser vers un avion, c'est illégal et passible de sanctions.
- Ne pointez pas un faisceau laser vers le ciel.
- N'exposez pas l'ouverture du laser à des produits chimiques de nettoyage.
- N'utilisez pas l'appareil si l'appareil n'émet qu'un seul faisceau ou deux rayons.
- N'utilisez pas le laser si le boîtier est endommagé ou ouvert ou si l'optique semble endommagée.
- N'ouvrez jamais le boîtier. Les niveaux élevés de puissance de laser dans le boîtier peuvent engendrer des feux, brûler la peau et causer des dommages oculaires.
- Ne laissez pas l'appareil fonctionner sans surveillance.
- Le fonctionnement d'un laser de classe 3B n'est permis que si une personne dédiée, et ayant des connaissances techniques, est présente pendant le show et peut le surveiller.
- La législation sur l'utilisation de lasers de loisirs varie selon les pays. L'utilisateur est responsable vis à vis des réglementations en vigueur dans le pays d'utilisation.
- Utilisez toujours des élingues adaptées lorsque l'appareil est suspendu.

**Remarque importante !** L'utilisation en France n'est autorisée que pour des professionnels, pas pour des particuliers. Voir réglementation sur : [www.legifrance.gouv.fr](http://www.legifrance.gouv.fr)

## INSTRUCTIONS DE DEBALLAGE

**ATTENTION !** A réception de l'appareil, ouvrez avec précaution le carton, vérifiez le contenu pour vous assurer que tous les composants sont bien là et qu'ils sont en bon état. Emettez des réserves auprès du transporteur immédiatement si l'appareil présente des dommages ou si le carton présente des chocs. Conservez le carton et tous les matériaux d'emballage. Si l'appareil doit être retourné au fabricant, il est impératif de le faire dans le carton d'origine avec tous les composants.

Contenu :

- Laser MegaCluster RGB
- Télécommande sans fil MegaCluster Laser RGB
- Cordon alimentation
- Notice

Si l'appareil a été exposé à des fluctuations importantes de température (par exemple après le transport), ne l'allumez pas tout de suite. La condensation peut endommager l'appareil. Laissez-le éteint jusqu'à ce qu'il atteigne la température ambiante.

## ALIMENTATION

Vous trouverez sur l'étiquette à l'arrière de l'appareil le type d'alimentation. Assurez vous que la tension secteur disponible corresponde bien à celle nécessaire pour l'appareil, sinon il sera détruit. Reliez directement l'appareil au secteur .sans utiliser de dimmer ou de bloc secteur réglable.

## INSTALLATION



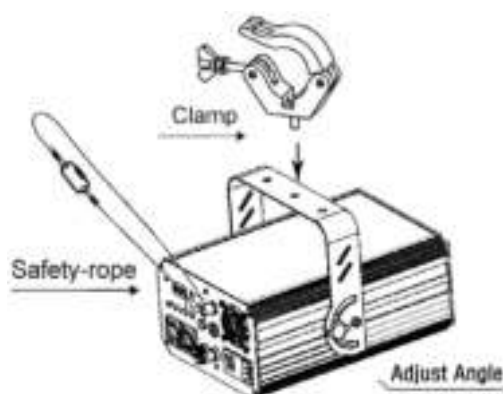
**ATTENTION : Lors de l'installation, tenez compte des normes nationales respectives ! Seuls des revendeurs et installateurs habilités peuvent procéder à l'installation.**



- L'installation de l'appareil doit être pensée et réalisée de telle sorte que le support de fixation puisse supporter 10 fois le poids de l'appareil pendant une heure sans aucune déformation.
- L'installation doit toujours être assurée par un second système de fixation, par exemple un filet ou une élingue. Ce second système doit être conçu de telle sorte que aucun élément de l'installation ne puisse tomber si la fixation principale venait à rompre.
- Assurez-vous que la zone sous l'emplacement de montage ne puisse pas accueillir de public pendant le montage, le démontage et l'utilisation.
- Le responsable du fonctionnement doit faire approuver par un expert les conditions d'installation et d'utilisation de l'appareil avant la première mise en service et après tout changement.
- Le responsable du fonctionnement doit faire approuver par un expert les conditions d'installation et d'utilisation de l'appareil, une fois par an.
- L'appareil doit être installé de telle sorte que personne ne puisse l'atteindre, passer dessous ou être assis.



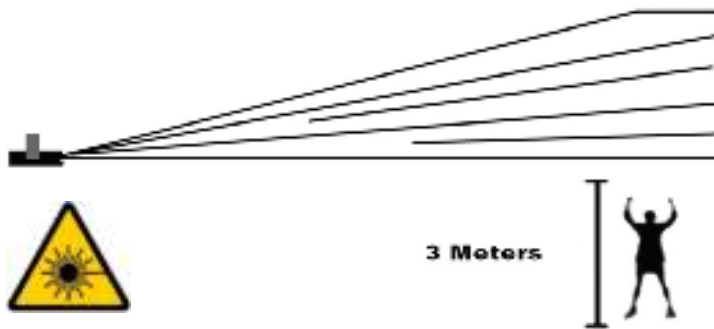
**ATTENTION : Lorsque vous installez l'appareil, assurez-vous qu'il n'y a aucun matériau fortement inflammable (décorations par exemple) à 5 mètres au moins de l'appareil.**



## REGLAGES LASER ET UTILISATION

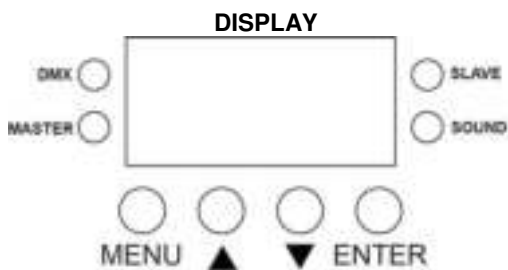
Cet appareil est prévu pour être suspendu. Pour des raisons évidentes de sécurité, il faut utiliser, pour un montage correct, une élingue de sécurité et un crochet. N'hésitez pas à contacter votre revendeur pour acquérir les différents accessoires de montage indispensables.

La législation internationale en matière de lasers, exige que les lasers soient utilisés avec une distance minimale de 3 mètres entre le sol et le faisceau laser le plus bas. Voir dessin ci-dessous. De plus, une séparation horizontale de 2,5 m est nécessaires entre le faisceau laser et le public ou tout autre espace public.



**CAUTION: Une utilisation des commandes, réglages ou une gestion des procédures autres que celles décrites ici peuvent engendrer une exposition dangereuse aux rayons.**

## UTILISATION



Utilisez les quatre touches de fonction sur le dessus de l'appareil pour régler le mode de fonctionnement du laser. Appuyez sur la touche **MENU** pour afficher les différentes fonctions (voir tableau ci-dessous des différentes fonctions).

Utilisez les touches flèche **UP** ou **DOWN** pour faire la sélection. Appuyez ensuite **ENTER** pour confirmer le changement.

Appuyez sur la touche **MENU** un peu plus longtemps pour utiliser le dernier mode sauvegardé ou attendez 15 secondes pour quitter automatiquement le menu et utiliser le dernier mode sauvegardé.

MENU AFFICHAGE		
Mode	Description	
<b>Adrr</b>	adresse de démarrage DMX	Se modifie avec les touches flèche <b>UP</b> ou <b>DOWN</b> (1-512)
<b>SLnd</b>	NAST – appareil Master	Appuyez sur <b>ENTER</b> pour confirmer que l'appareil sera l'appareil Mastert
	SLAU – appareil Slave	Appuyez sur la touche <b>ENTER</b> pour confirmer que l'appareil sera l'appareil Slave
<b>Shnd</b>	Mode Auto	Appuyez sur <b>Enter</b> et utilisez les touches <b>UP</b> ou <b>DOWN</b> pour choisir le mode Auto ou Son.
	Mode Sound	
<b>SPEE</b>	Auto speed	Réglage de SP-1 à SP-9
<b>LED</b>	LED on/LED off automatiquement	Si vous choisissez l'option OFF, l'affichage s'éteint après 20 secondes d'inactivité. Si vous choisissez ON, l'affichage reste en permanence allumé.
<b>dISP</b>	réglage affichage	Avec l'option <b>dis</b> l'affichage et au format standard. Avec <b>dSIP</b> , il est inversé.
<b>FhrS</b>	durée de vie de l'appareil	Nombre d'heures total de fonctionnement.
<b>Vers</b>	version Software	Indique la version du software utilisée.

## INSTRUCTIONS TEMOINS LASER



Les trois touches RGB sur le dessus de l'appareil gèrent les couleurs de la sortie laser. RGB correspond aux diodes rouge, verte et bleue.



Si vous appuyez sur une touche, sa LED correspondante s'allume, le laser fonctionne avec cette couleur. Si vous appuyez à nouveau sur la touche, et si la LED clignote, la couleur défile de manière aléatoire. Par une nouvelle pression, la LED s'éteint, le laser n'émet plus cette couleur.



Si vous utilisez la touche pour choisir 2 couleurs ou 3 couleurs, par défaut, le changement de couleur est aléatoire (utilisez la télécommande pour choisir une couleur fixe).

## TELECOMMANDE



### Fonction touche:

- A. Mode Auto/Sound
- B. Blackout / Standby
- C. Réglage couleur
- D. Direction / Gobo (Auto speed de SP1 à SP9)

**Note** : Si la télécommande ne fonctionne pas et est en mode veille, appuyez sur les touches RGB pour la déverrouiller.

**Attention** : la distance maximale de fonctionnement de la télécommande est de 50 m. Il ne doit pas y avoir d'obstacle entre la télécommande et le laser, sinon la distance maximale de fonctionnement est réduite.

### Si l'appareil ne fonctionne pas avec la télécommande, suivez les instructions ci-dessous :

Appuyez sur les touches **MENU** et **ENTER** tout en les maintenant enfoncées. Le témoin à droite de l'affichage LED brille, relâchez les touches. Ensuite, appuyez sur une touche sur la télécommande pour établir la liaison, le témoin à gauche de l'affichage clignote quatre fois pour indiquer que l'appareil et la télécommande sont appairés et peuvent fonctionner ensemble.

### Pour arrêter l'appareil avec la télécommande livrée :

Appuyez sur les touches **MENU** et **ENTER** tout en les maintenant enfoncées. Le témoin à droite de l'affichage LED brille, Maintenez les touches enfoncées jusqu'à ce que le témoin s'éteigne. L'appareil et la télécommande ne sont alors plus appairés, ils ne fonctionnent plus ensemble.

## REGLAGE ADRESSE DMX

Si vous gérez le(s) laser(s) avec un contrôleur DMX, chaque appareil doit avoir une adresse DMX spécifique. Lorsque le laser reçoit un signal, il reçoit le signal de contrôle du canal du contrôleur DMX512. Vous pouvez choisir de régler tous les laser avec la même adresse DMX ou vous pouvez régler pour chaque laser une adresse DMX propre.

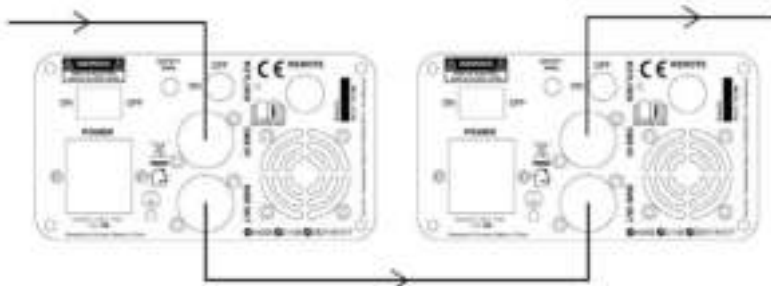
Si tous les lasers ont la même adresse DMX, ils reçoivent le signal DMX de cette adresse. Tous les lasers fonctionnent alors de la même manière, vous ne pouvez pas les régler séparément.

Si vous attribuez à chaque appareil une adresse DMX différente, ils recevront le signal DMX depuis leur propre adresse. Vous pourrez ainsi régler chaque laser séparément. L'adresse DMX que vous réglez pour chaque laser doit être définie par le nombre de canaux. Dans ce cas, le laser utilise 5 canaux DMX : réglez l'adresse DMX du premier appareil sur 1, le deuxième appareil doit être réglé sur l'adresse 6 (5+1), le troisième sur 11 (5+6). Vous devrez régler l'adresse DMX de chaque laser dans la chaîne de cette manière.

## BRANCHEMENT DMX-512

Si vous utilisez un contrôleur DMX standard, vous pouvez relier la sortie DMX du contrôleur directement à l'entrée DMX du premier appareil de la chaîne DMX. Reliez la sortie du premier appareil à l'entrée de l'appareil suivant jusqu'à ce que tous les appareils soient reliés.

Si vous utilisez un contrôleur avec branchement DMX 5 pôles, vous avez besoin d'un adaptateur 5 pôles / 3 pôles.



Sur le dernier appareil, le cordon DMX doit être terminé par un bouchon. Soudez une résistance 120 ohms entre signal (-) et signal (+) sur une prise XLR 3 pôles et branchez-la à la sortie DMX du dernier appareil de la chaîne.



## MASTER/SLAVE

Si le laser est dans une chaîne Master / Slave, et si l'appareil est le Master, vous pouvez gérer les fonction auto et Son. Si l'appareil est Slave, il suivra les instructions de l'appareil Master, **SLAU** sera visible sur l'affichage. S'il n'y a pas de signal, **Stey** s'affiche. Si vous utilisez le mode DMX, l'affichage indique **Addr** lorsqu'il reçoit un signal DMX 512.

- R**   Si le laser fonctionne en mode Master / Slave : des LEDS de couleur R, G, B servent de témoins pour les diodes laser rouge, verte et bleue de l'appareil. Appuyez sur la touche à côté du témoin pour allumer ou éteindre la diode laser correspondante. Si le témoin est allumé, la diode laser correspondante est allumée, si le témoin est éteint, la diode est éteinte.
- G**
- B**

## REEMPLACEMENT DU FUSIBLE

Si le fusible est défectueux, vous devez le remplacer par un fusible de même type et valeur. N'oubliez pas de débrancher l'appareil avant de remplacer le fusible.

Procédure :



Etape 1: Ouvrez le porte-fusible sur la face arrière de l'appareil avec un petit tournevis.

Etape 2: Retirez l'ancien fusible.

Etape 3: Installez le fusible neuf dans le porte-fusible.

Etape 4: Remplacez le porte-fusible dans l'appareil.

## NETTOYAGE DE L'APPAREIL

Le nettoyage des lentilles optiques interne et externe et / ou des miroirs doit être effectué périodiquement pour garantir une puissance lumineuse optimale. La fréquence de nettoyage dépend de l'environnement dans lequel l'appareil est utilisé : poussière, fumées, environnement particulièrement sale : tout cela peut créer une importante accumulation de salissures sur les optiques.

- Assurez-vous que personne ne peut se trouver sous l'emplacement de l'appareil pendant son fonctionnement.
- Le boîtier, les fixations et accessoires d'installation (plafond, structures, suspensions) ne doivent en aucun cas être déformés.
- Le cordon secteur ne doit présenter aucun défaut et doit être immédiatement remplacé même si un léger problème est relevé.
- Pour protéger l'appareil de toute surchauffe, les ailettes du ventilateur et les ouïes d'aération doivent être nettoyées tous les mois.
- L'intérieur de l'appareil doit être nettoyé une fois par an avec un compresseur.
- Nettoyez avec un tissu doux et un liquide classique de nettoyage de vitres.
- Séchez toujours correctement tous les éléments.
- Nettoyez les optiques externes tous les 20 jours au moins. Nettoyez les optiques internes tous les 30 à 60 jours.

**ATTENTION : Nous recommandons fortement que le nettoyage intérieur soit fait par un technicien qualifié !**

## DMX CHANNELS / DMX KANALEN / DMX KANÄLE / CANALES DMX / CANAUX DMX

Channel	Function	Value	Description
1	Mode	000-063	Shut off
		064-127	DMX Mode
		128-191	Auto Mode
		192-255	Sound Mode
2	Effect	000-127	Choose Color
		128-255	Flowing effect (From slow to fast)
3	Strobe	000-009	Laser strobe off
		010-255	Laser strobe (From slow to fast)
4	Rotation	000-009	Motor off
		010-127	Motor moving forwards (From slow to fast)
		128-255	Motor moving backwards (From slow to fast)
5	Speed	000-255	Auto speed (From slow to fast)

## TECHNICAL SPECIFICATION / TECHNISCHE SPECIFICATIE / TECHNISCHE DATEN / ESPECIFICACIONES TÉCNICAS / SPÉCIFICATIONS TECHNIQUES

Rated voltage	: AC220~240V 50/60Hz
Rated power	: 11Watt
Laser	: TTL Red 250mw/650nm, Green 100mw/532nm, Blue 250mw/445nm
Laser classification	: 4
Fuse	: T2A
DMX Channel	: 5 Channels
Function	: DMX, Auto, Sound active, Master-Slave and wireless control
Dimensions per unit	: 144 x 235 x 149mm
Weight (per unit)	: 1,4 kg

The specifications are typical. The actual values can slightly change from one unit to the other. Specifications can be changed without prior notice.





**tronios**  
Sound & Light

## CE Declaration of Conformity

Importer: TRONIOS BV  
Bedrijvenpark Twente 415  
7602 KM - ALMELO

Tel : 0031546589299  
Fax : 0031546589298  
The Netherlands

Product number: **152.946**  
Product Description: MegaCluster Laser RGB 600mW DMX IRC

Regulatory Requirement: EN 60598-2-17:1989+A2:1991  
EN 60598-1:2008+A11:2009  
EN 60825-1:2007  
EN 55103-1-2:2009  
EN 61000-3-2:2006+A1:2009+A2:2009  
EN 61000-3-3:2008  
EN 300220-1-2 V2.4.1:2012;  
EN 301489-1-3 V1.9.2:2011;  
EN 62479:2010

The product meets the requirements stated in Directives 2006/95 and 2004/108/EC and conforms to the above mentioned Declarations.

*Almelo,*

*29-04-2015*

*Signature: B. Kusters*

Specifications and design are subject to change without prior notice..

**[www.tronios.com](http://www.tronios.com)**

Copyright © 2015 by TRONIOS the Netherlands