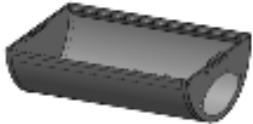
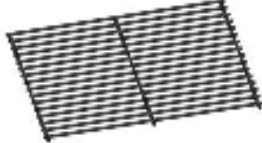
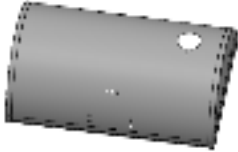
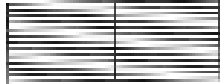


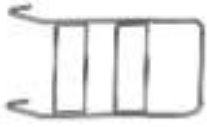


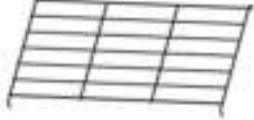










# Model 20732 Manual Instruction

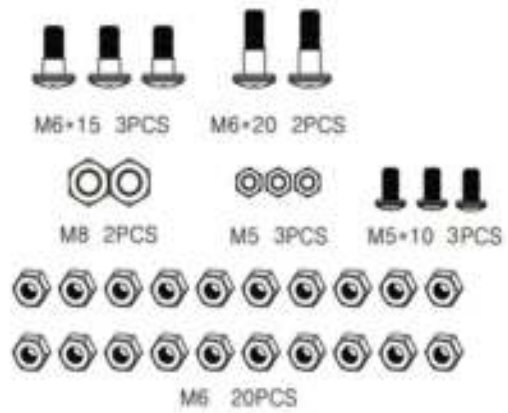
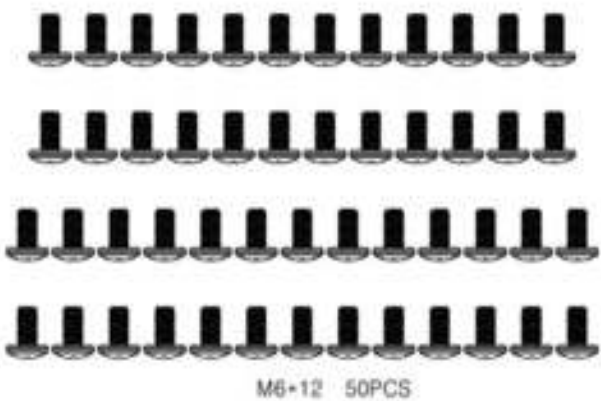


## 1. Part List

No.	Part	Qty	Picture	No.	Part	Qty	Picture
1	Grill Body	1		2	Grill Grid	2	
3	Grill Lid	1		4	Charcoal Grid	1	

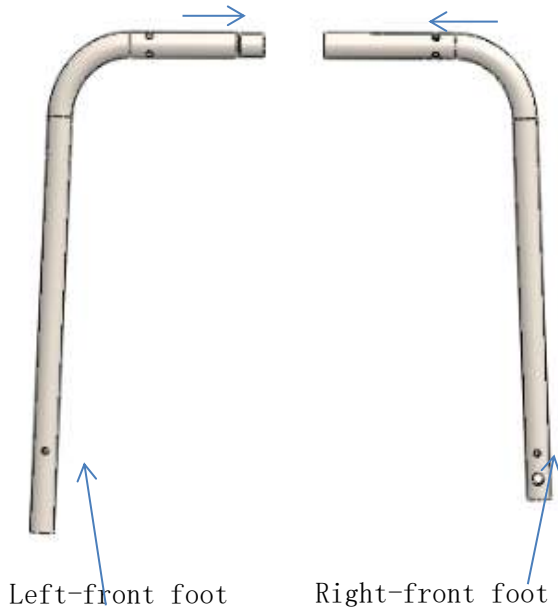
5	Smokestack	1		6	Wheel	2	
7	Charcoal Grid Handle	2		8	Wheel Axle	1	
9	Handle	3		10	Bottom Grid	1	
11	Front Shelf	1		12	Foot Bracket	2	
13	Front Plate Bracket	2		14	Damper	1	
15	Left-front Foot	1		16	Right-front Foot	1	
17	Left-back Foot	1		18	Right-back Foot	1	

19	Side Box Lid Stand	1		20	Side Box Bracket	1	
21	Side Box Bottom	1		22	Side Box Charcoal Grid	1	
23	Side Box Lid	1		24	Side Box Grid	2	
25	Side Box Lid Plate	1		26	Warming Grid	1	
27	Side Door	1		28	Damper Locker	1	
29	Side Box Hinge	2		30	Thermometer	1	

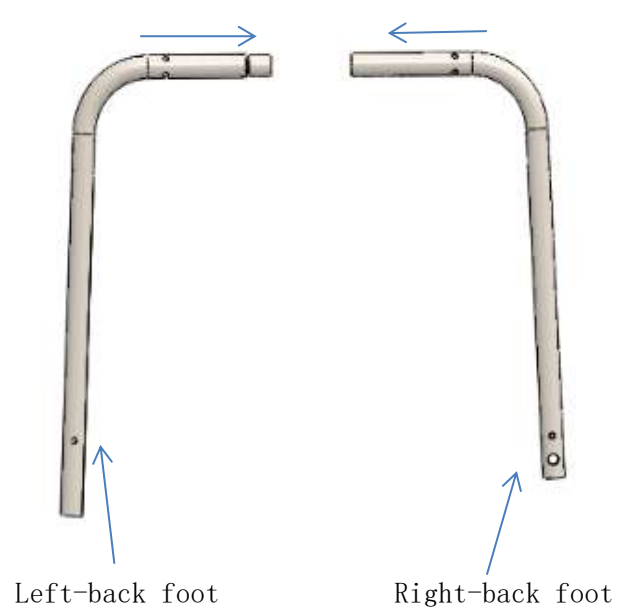


## 2. Assemble instruction

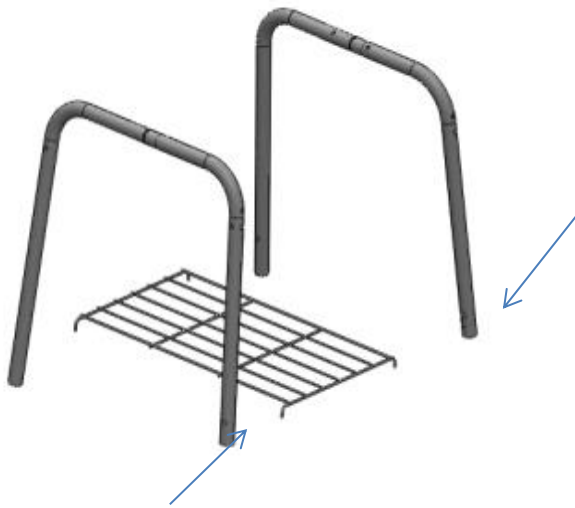
2.1 Assemble the feet



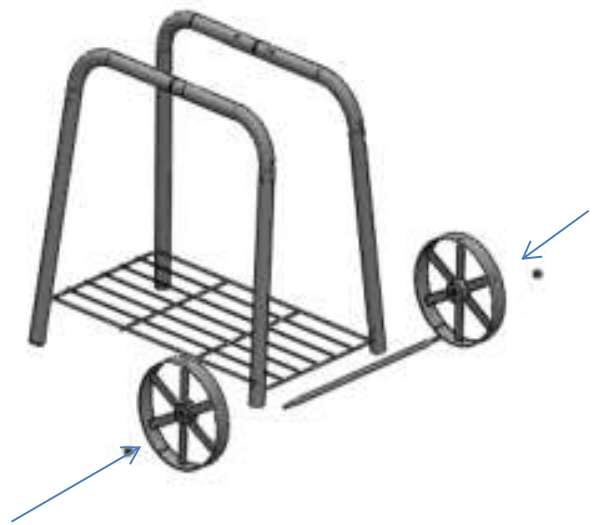
2.2 Assemble the feet



2.3 Assemble the bottom grid



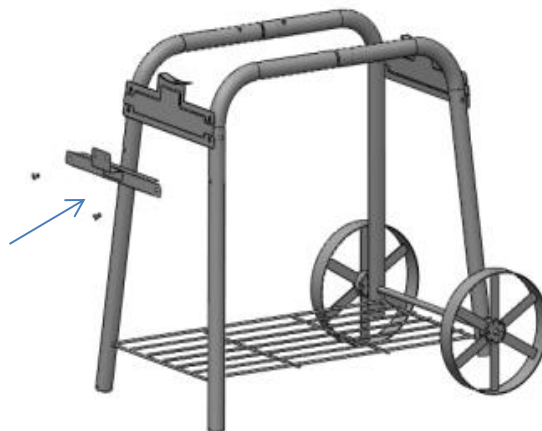
2.4 Assemble the wheels with 2pcs M8 Lock nuts with wheel axle



2.5 Assemble foot bracket with 8pcs M6\*12 screws



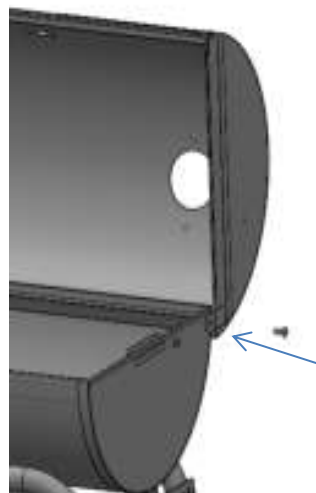
2.6 Assemble the side box bracket with 2pcs M6\*12 screws



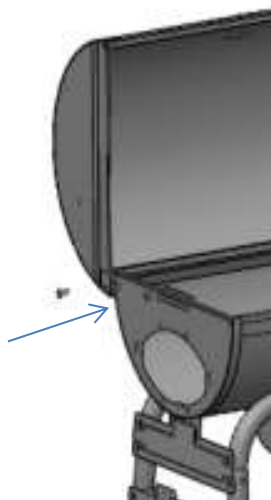
2.7 Assemble the main body with 6pcs M6\*12 screw and 2pcs M6 nuts



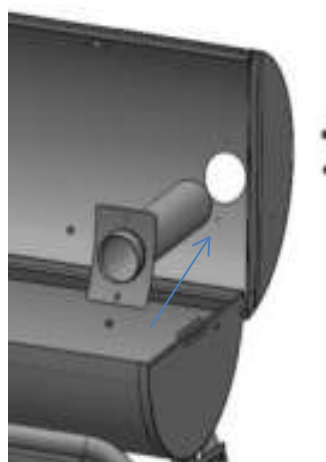
2.8 Assemble the lid with 1pcs M6\*20 step screws



2.9 Assemble the lid with 1pcs M6\*20 step screw



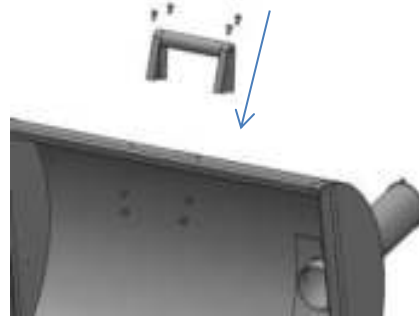
2.10 Assemble the smokestack with 2pcs M6\*12 screws and 2pcs M6 nuts



2.11 Assemble the smoke stack lid with spring (usually this part was assembled)



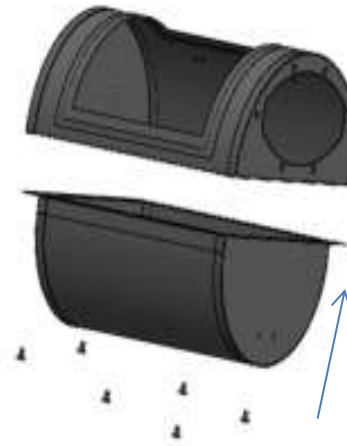
2.12 Assemble the handle with 4pcs M6\*12 screws and 4pcs M6 nuts



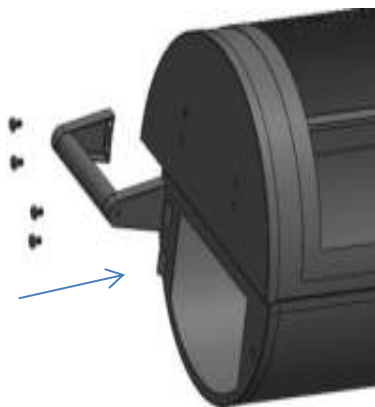
2.13 Assemble the warming bracket with 2pcs M6\*15 step screws



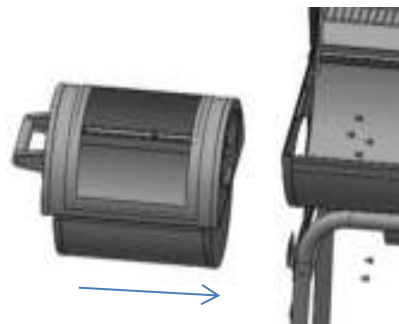
2.14 Assemble the side box with 6pcs M6\*12 screws



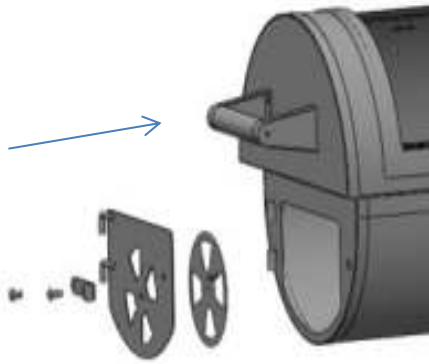
2.15 Assemble the handle with 4pcs M6\*12 screws and 4pcs M6 nuts



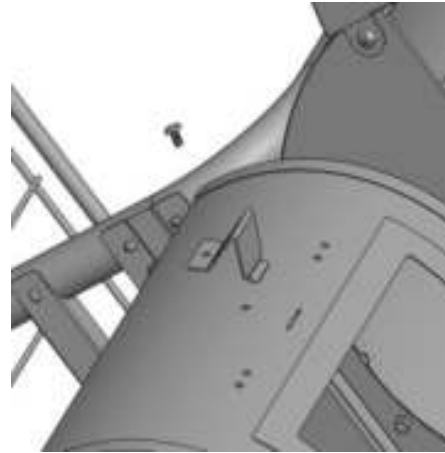
2.16 Assemble the side box with 8pcs M6\*12 screws and 2pcs M6 nuts



2.17 Assemble the side door and damper with 1pcs M5\*10 screw and 1pcs M5 nut; assemble the damper locker with 1pcs M5\*10 screw, 1pcs M5 nut and 1pcs M6\*15 step screw for fixed



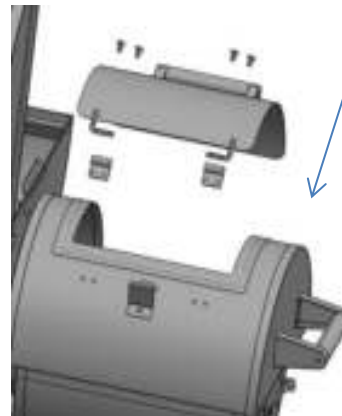
2.18 Assemble the side box lid stand with 1pcs M5\*10 screw and 1pcs M5 nut



2.19 Assemble the handle on the side box lid with 4pcs M6\*12 screws and 4pcs M6 nuts



2.20 Assemble the side box lid with 4pcs M6\*12 screw 4pcs and M6 nuts (usually this part was assembled)



2.21 Assemble the Front shelf with 6 pcs M6\*12 screws and 2pcs M6 nuts



2.22 Assemble the charcoal grid



2.23 Assemble the grill grid in the body



2.24 Assemble the charcoal grid in the side box



2.25 Assemble the grill grid in the side box



2.26 Assemble the thermometer on the lid and finish the assembling

