

little tikes®

4331

624663400 - 5/15

www.littletikes.com
www.littletikes.co.uk
www.littletikes.nl
www.littletikes.pl

ENGLISH

8-IN-1 ADJUSTABLE PLAYGROUND

Ages: 2 - 8 years
Please save sales receipt for proof of purchase.

WARNING:
ADULT ASSEMBLY REQUIRED.

Two adults are needed for assembly.

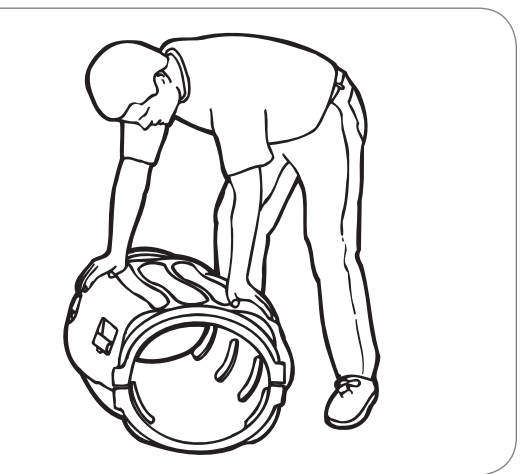
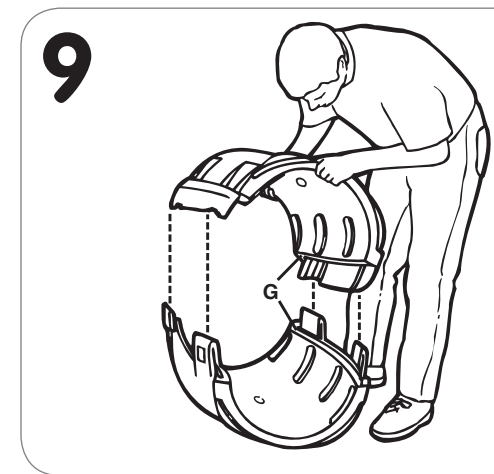
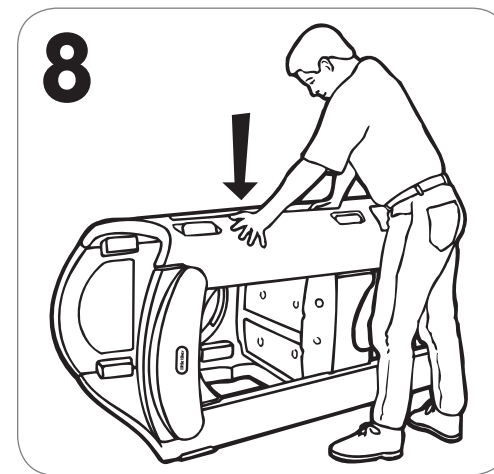
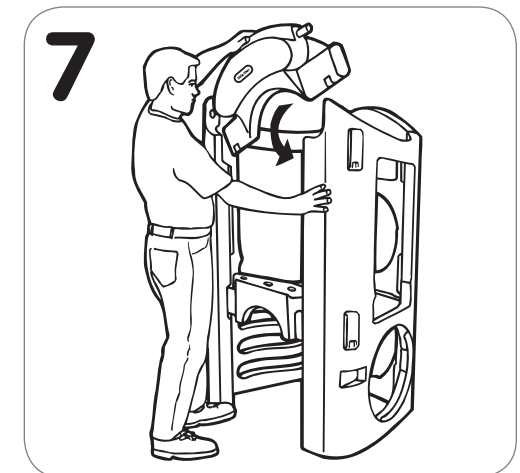
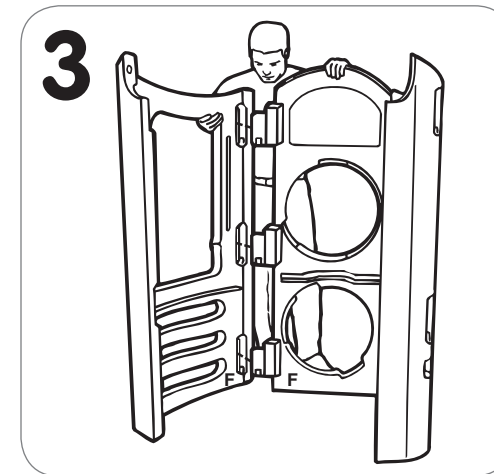
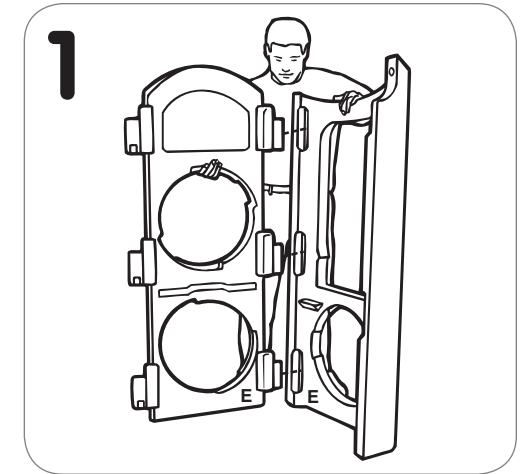
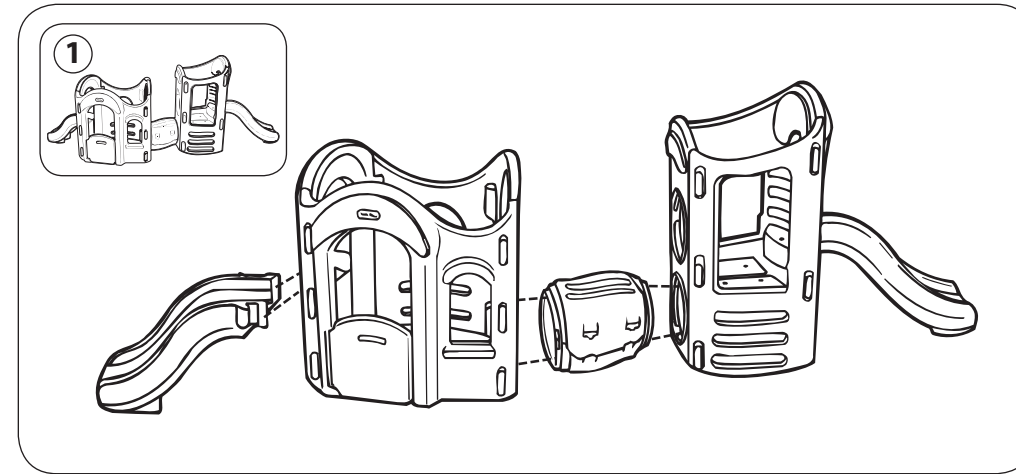
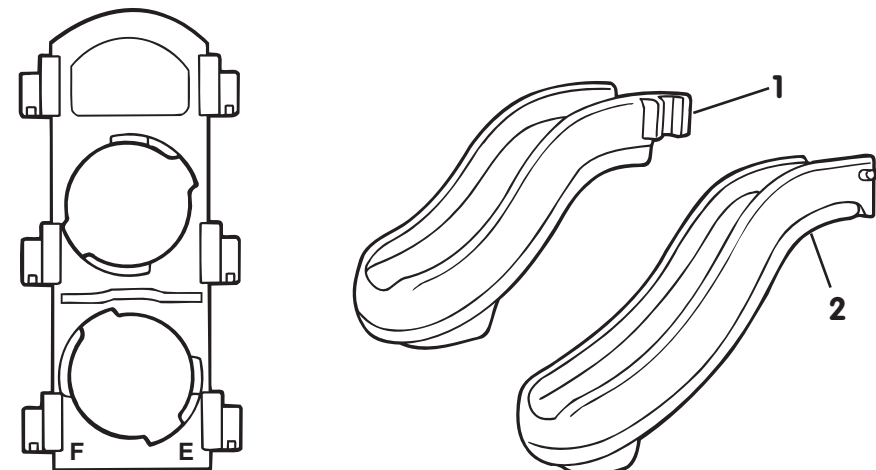
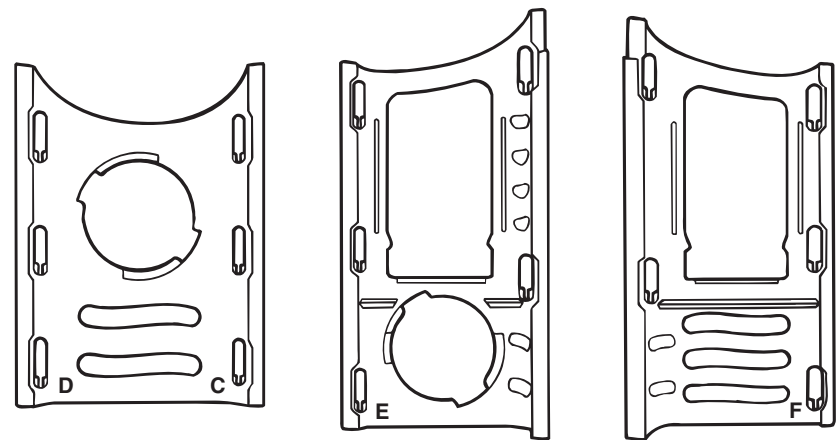
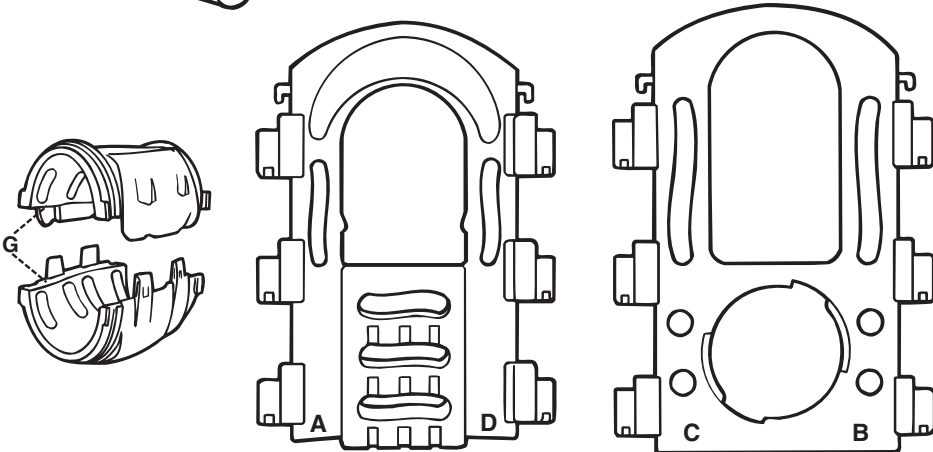
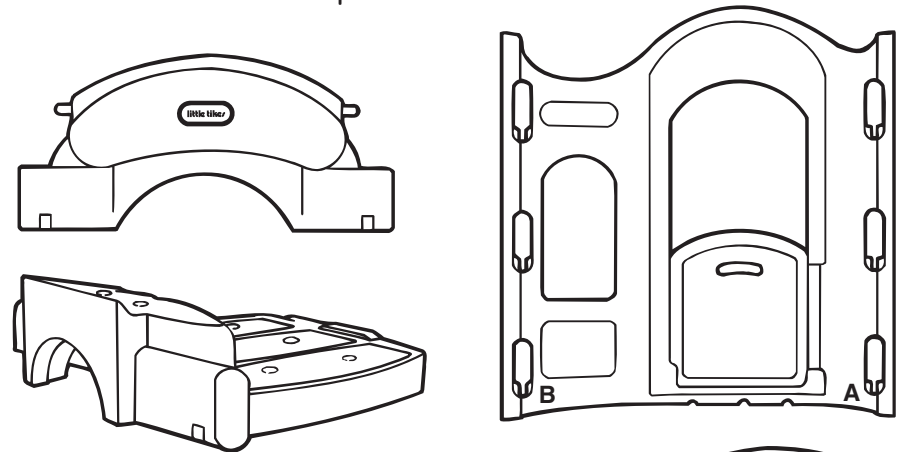
- Keep these instructions for future reference.
- Prior to assembly, this package contains small parts: hardware which is a choking hazard and may contain sharp edges and sharp points. Keep away from children until assembled.
- To prevent serious injury, children must not use the equipment until properly installed.
- Falls onto hard surfaces can result in head or other serious injuries. Never place on concrete, asphalt, wood, packed earth, grass or other hard surfaces. Carpet over hard floors may not prevent injury. Always use protective surfacing on the ground under and surrounding the playground equipment according to the enclosed "Consumer Information Sheet for Playground Surfacing Materials." Maximum fall height protection up to 32 inches (.8 m) required.
- Tunnel must be correctly attached to both gym units during play. Flat surface on tunnel (with warning) must face up and be parallel to the ground (views 1, 4, 5, 6 and 7). Or, flat surface (with warning) must face to one side and be perpendicular to the ground (views 2, 3 and 8).
- Adult supervision required. Do not leave children unattended.
- This product is intended for use by children ages 2 - 8 years.
- Maximum weight per child: 100 lbs. (45 kg). Limit 6 children.
- Shoes must be worn at all times.
- This product is intended for outdoor domestic family use only.
- Observing the following statements and warnings reduces the likelihood of serious or fatal injury.
- Place this product on level ground and at least 6' (2 m) away from any object. Objects to be avoided include, but are not limited to, fences, buildings, overhead branches, laundry lines or electrical wires.
- It is recommended that the orientation of the assembled product be such that direct sunlight is minimized on surfaces intended for standing or sitting.
- Instruct children on proper use of this product, only after properly placed, and not in a manner other than intended.
- Do not allow children to climb on product when product is wet.
- Instruct children not to attach items to the product that are not specifically designed for use with the product such as, but not limited to, jump ropes, clotheslines, pet leashes, cables and chains, as they may cause a strangulation hazard.
- Instruct children to remove their bike or other sports helmet before playing on this product.
- Dress children appropriately: do not allow children to wear loose-fitting clothing including ponchos, scarves and garments with drawstrings. Well-fitting shoes must be worn at all times.
- Protect your eyes. Always wear safety glasses when using a screwdriver to disassemble the tunnel.

MAINTENANCE

WARNING:

Failure to perform periodic checks could cause this product to overturn or cause a fall.
The following checks should be performed at the beginning and end of each season and twice monthly during the usage period:

Adult assembly required / Le montage devra être effectué par un adulte / Debe ser armado por un adulto



10



Align
Aligner
Alinear



Wrong
Incorrect
Incorrecto



Correct
Correcto

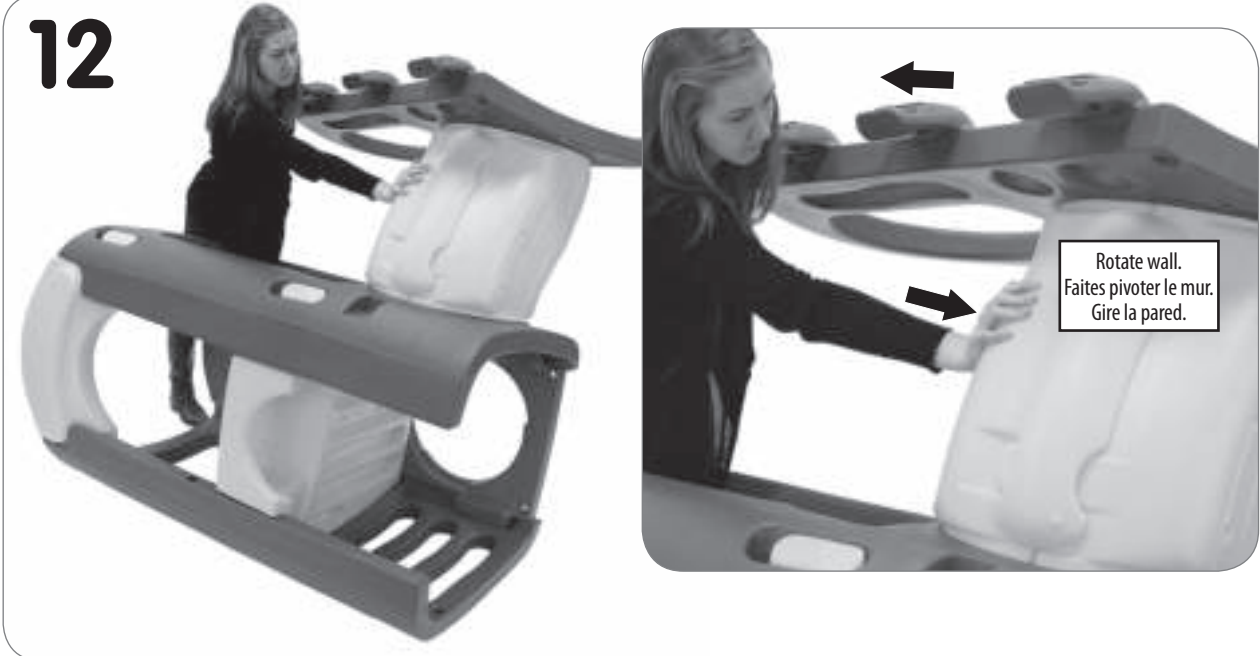
- Line up dots on wall and tunnel, as shown. Rotate tunnel to lock into position.
- Alignez les points sur le mur et le tunnel tel qu'illustré. Faites pivoter le tunnel pour le bloquer.
- Alinee los puntos de la pared y el túnel tal y como se muestra. Gire el túnel para que quede trabado en su lugar.

11



Align
Aligner
Alinear

12



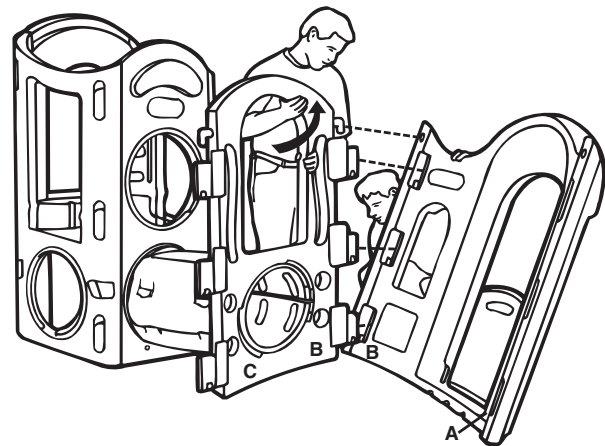
Rotate wall.
Faites pivoter le mur.
Gire la pared.

13

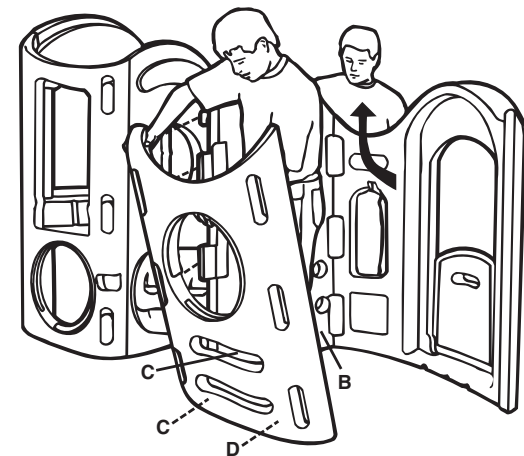


Rotate wall to lock into position.
Faites pivoter le mur pour le bloquer.
Gire la pared para que quede trabada en su lugar.

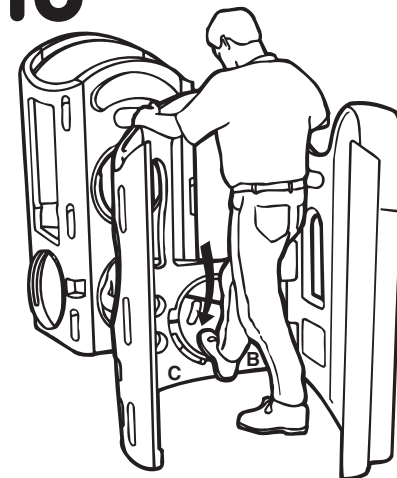
14



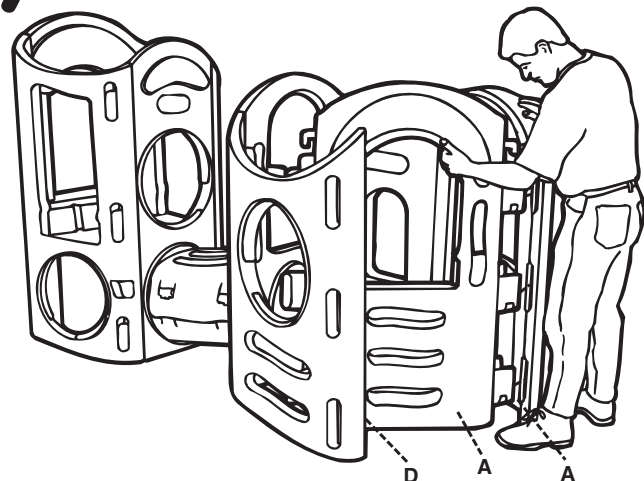
15



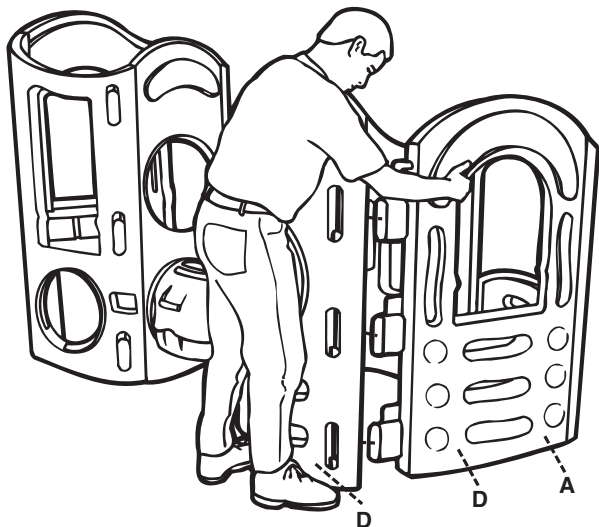
16



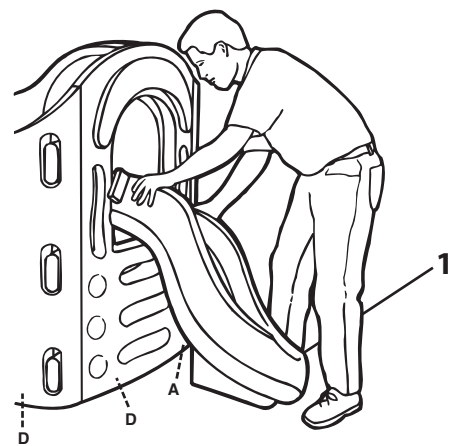
17



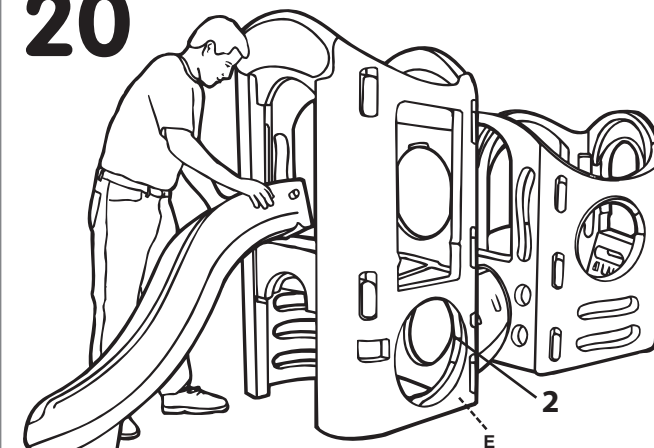
18

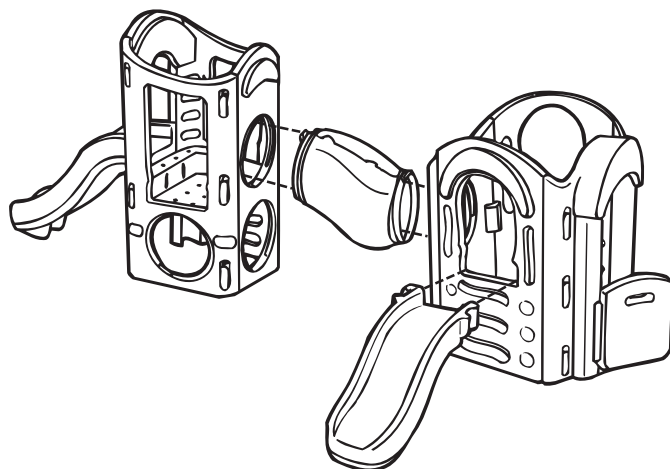
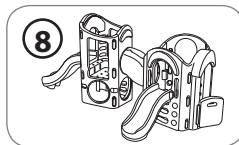
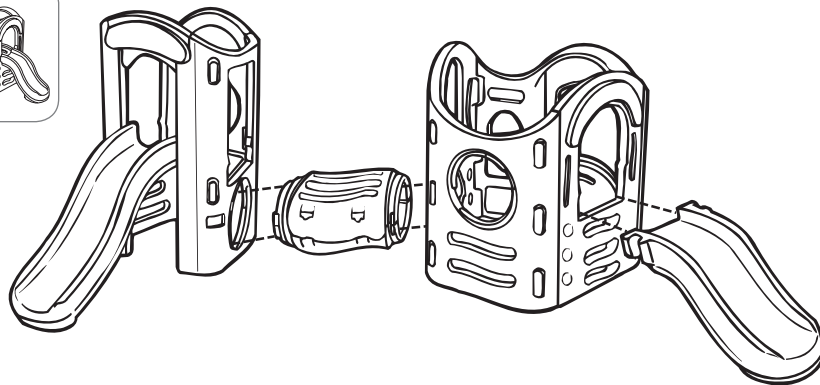
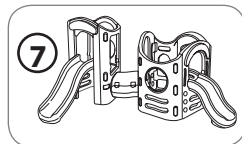
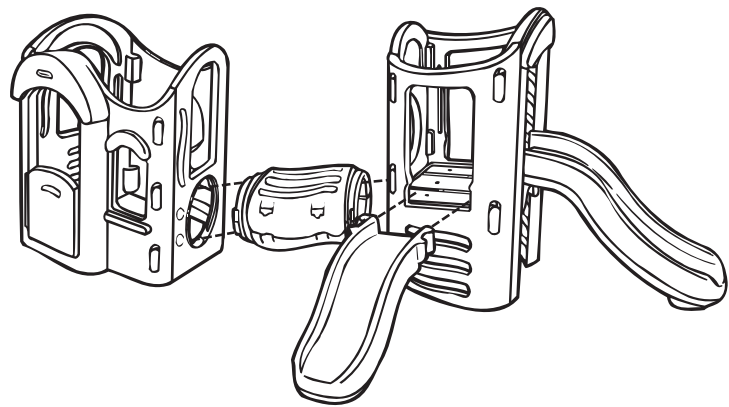
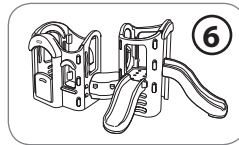
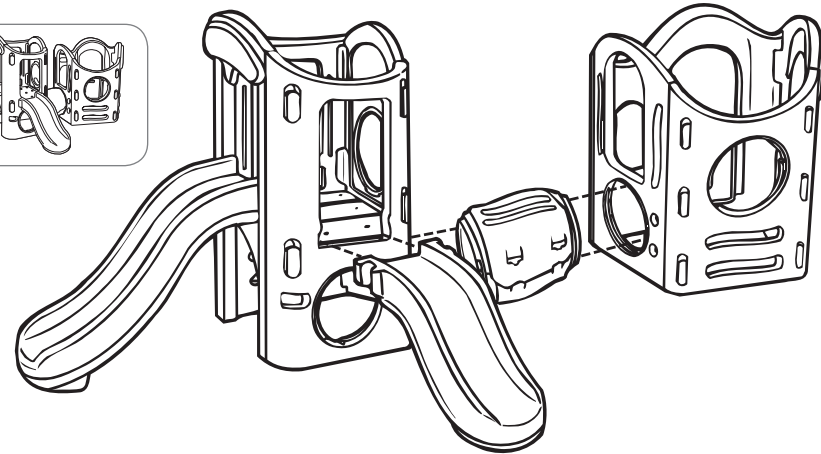
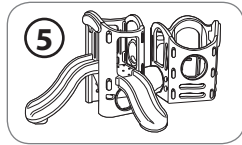
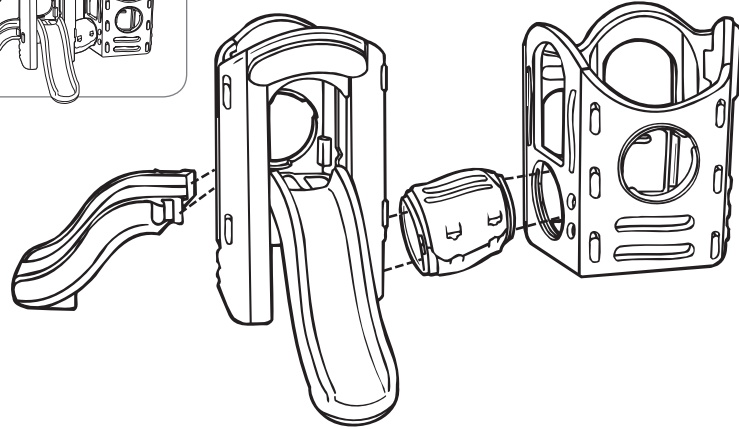
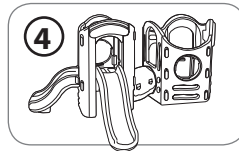
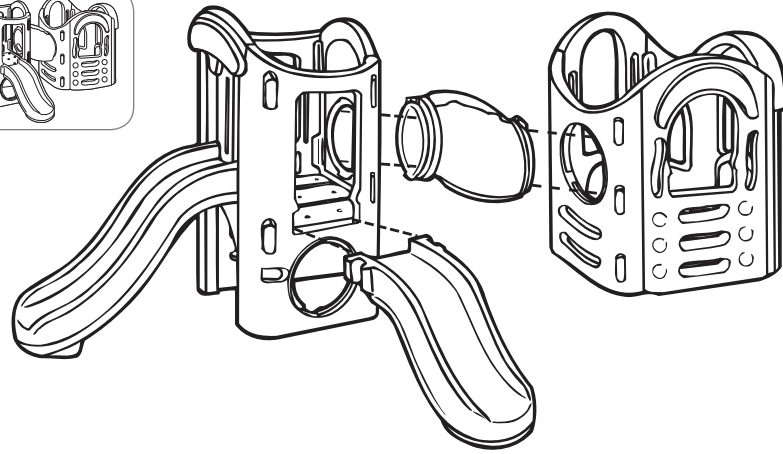
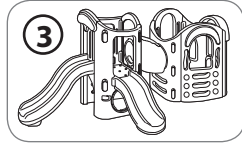
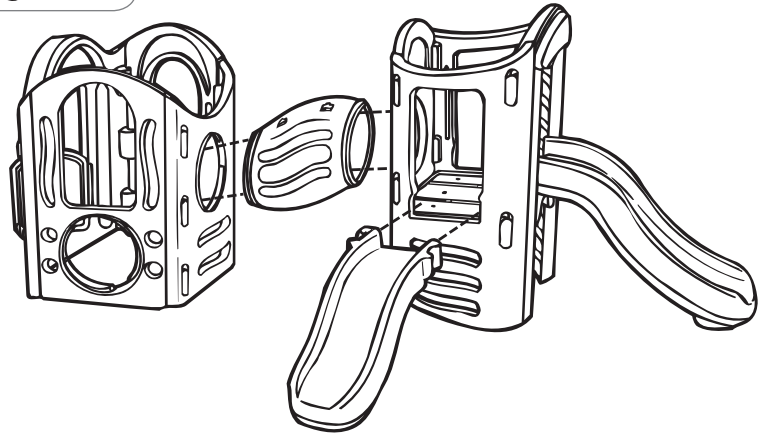
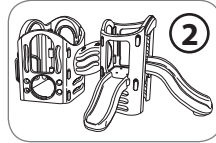


19

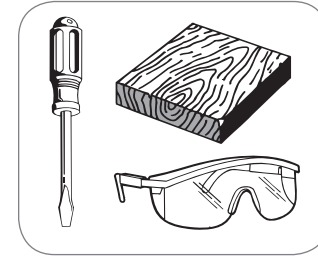


20

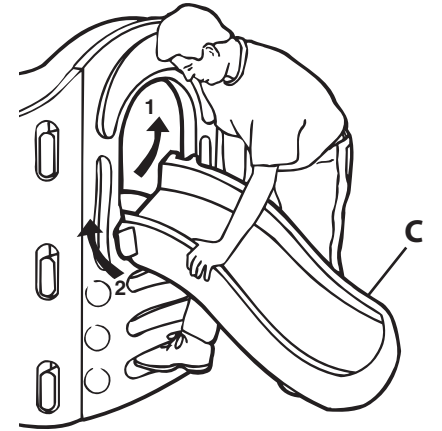




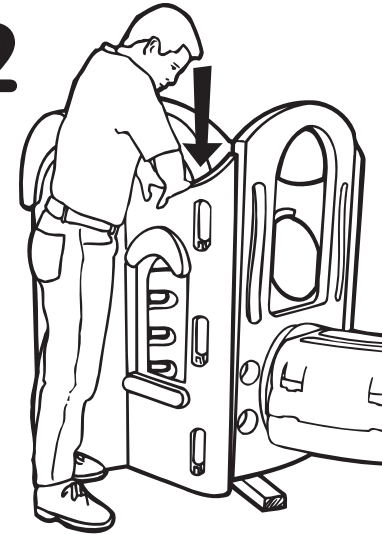
Disassembly • Demontage • Desarmado



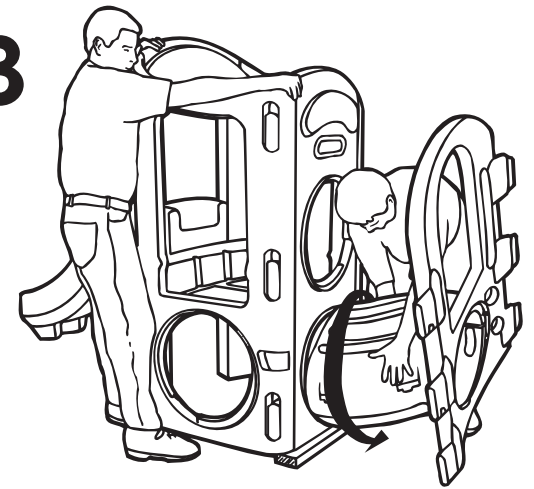
1



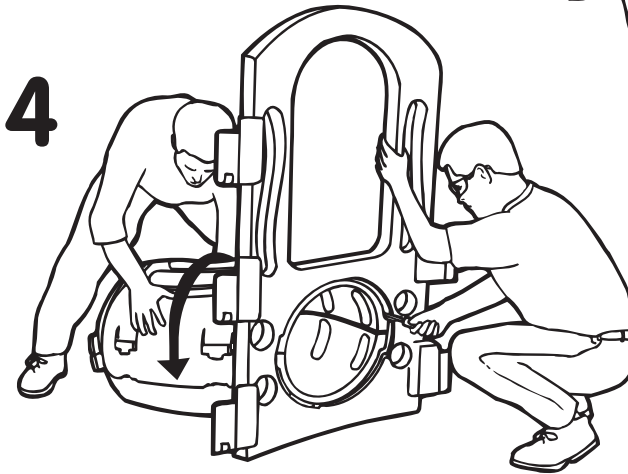
2



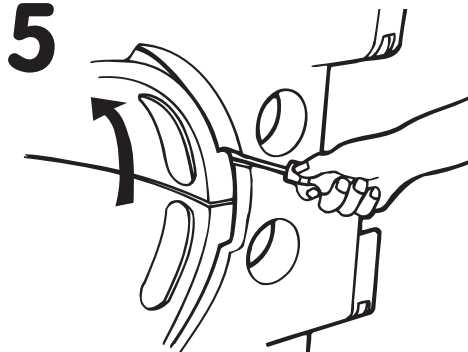
3



4



5



6

