



**VONROC®**

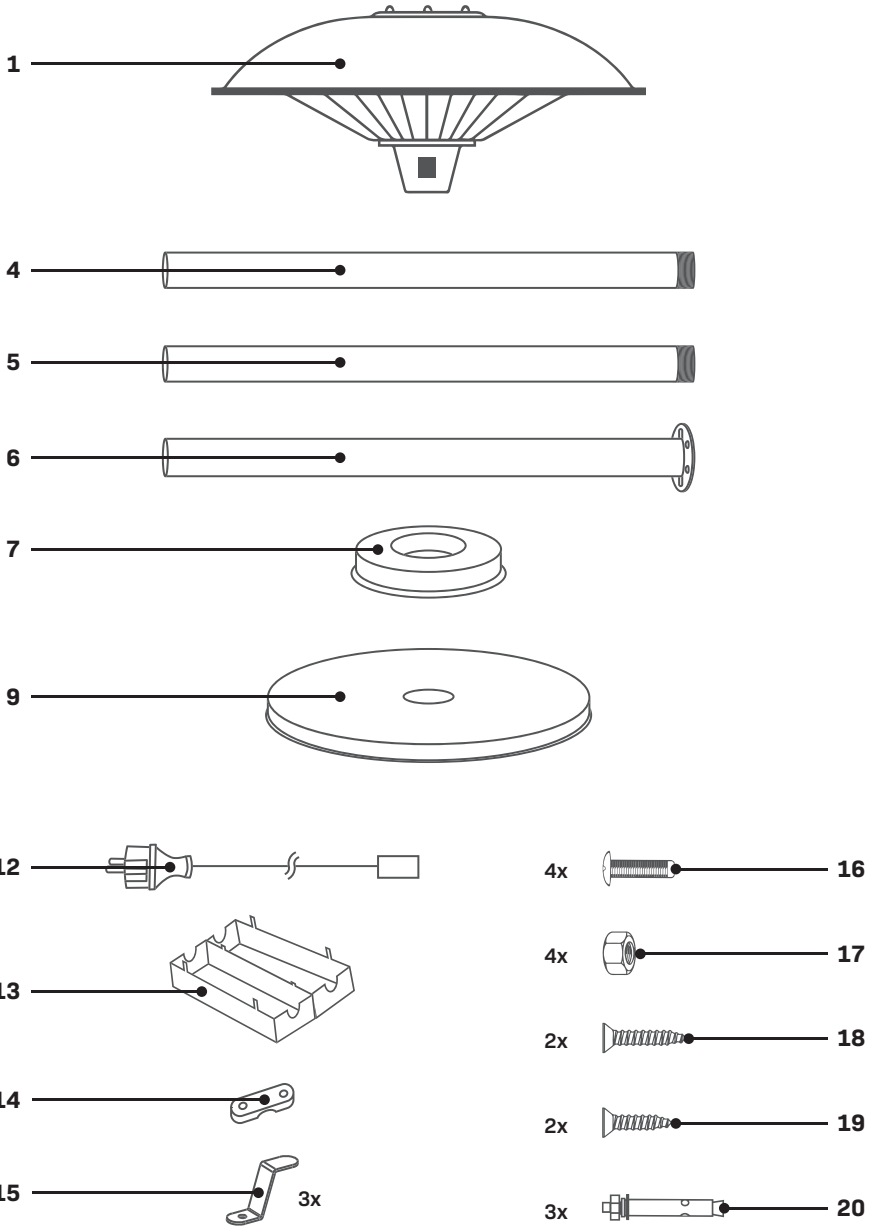
BUILD YOUR FUTURE

## PATIO HEATER EOLO ON STAND PH513AC

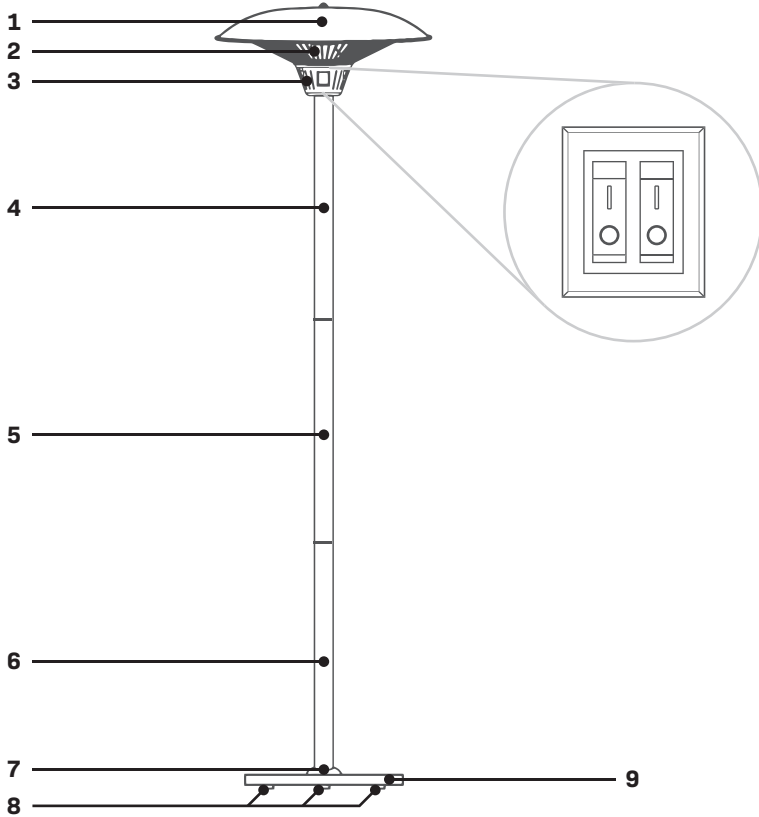


<b>EN</b>	Original Instructions	06
<b>DE</b>	Übersetzung der Originalanleitung	11
<b>NL</b>	Vertaling van de originele instructies	18
<b>FR</b>	Traduction de la notice originale	24
<b>ES</b>	Traducción de las instrucciones originales	31
<b>IT</b>	Traduzione delle istruzioni originali	37
<b>SV</b>	Översättning av bruksanvisning i original	44
<b>DA</b>	Oversættelse af den originale brugsanvisning	49
<b>PL</b>	Tłumaczenie oryginalnej instrukcji w języku angielskim	55
<b>RO</b>	Traducere a instrucțiunilor originale	61
<b>TR</b>	Orijinal talimatların çevirisi	67

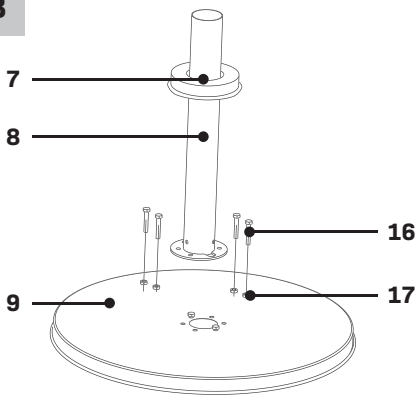
**Package contents**



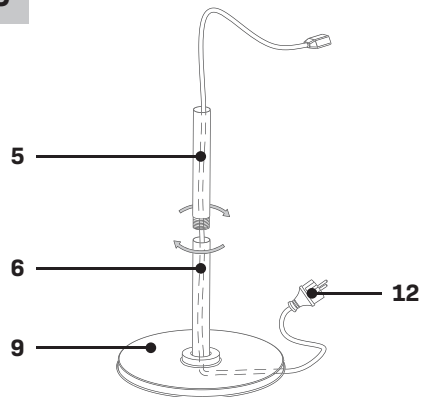
**A**

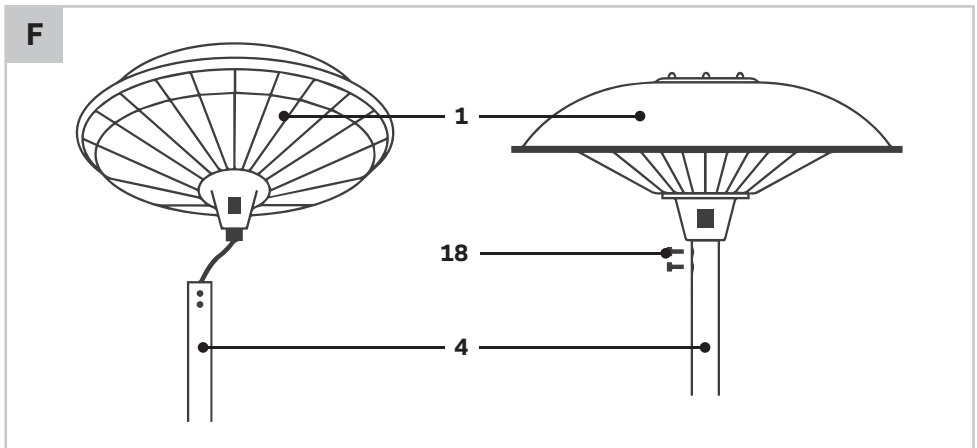
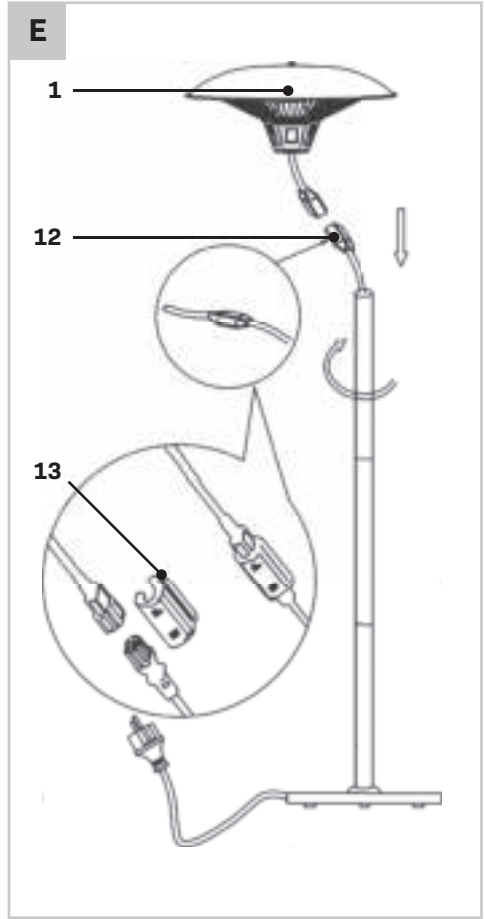
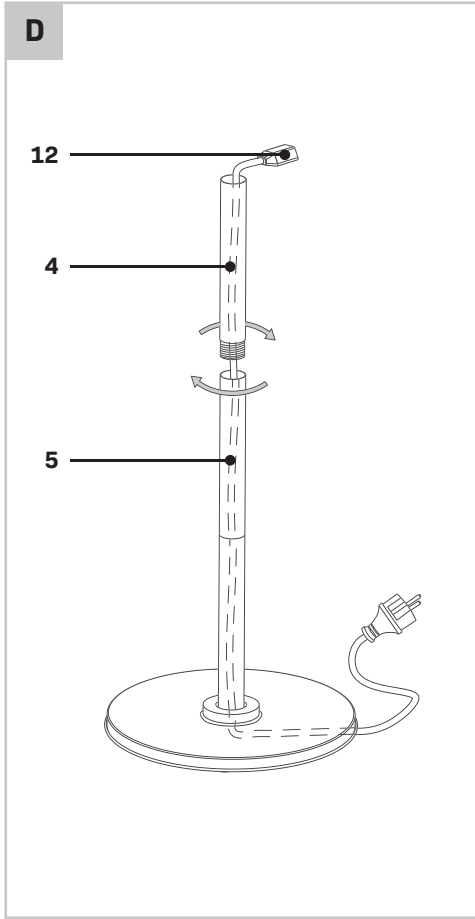


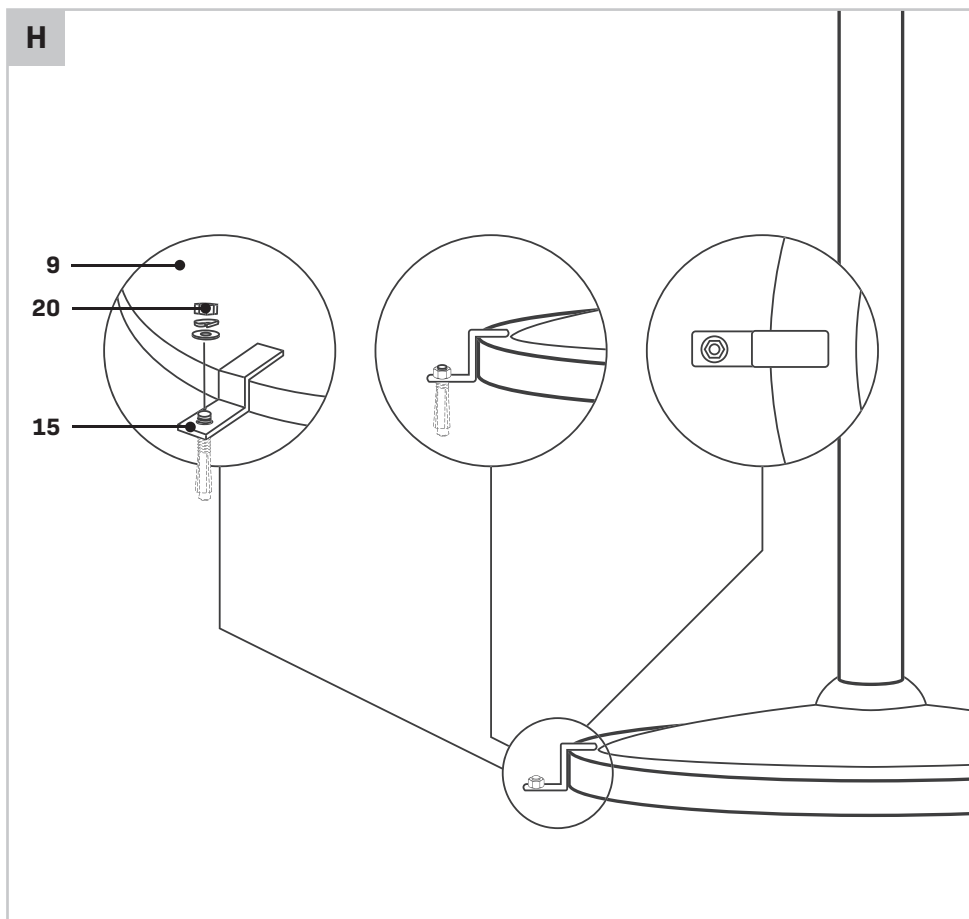
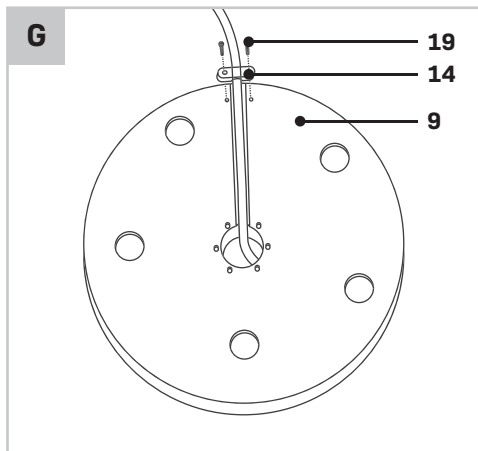
**B**



**C**







## 1. SAFETY INSTRUCTIONS

Read the enclosed safety warnings, the additional safety warnings and the instructions. Failure to follow the safety warnings and the instructions may result in electric shock, fire and/or serious injury. Save the safety warnings and the instructions for future reference.

The following symbols are used in the user manual or on the product:



*Read the user manual.*



*Denotes risk of personal injury, loss of life or damage to the heater in case of nonobservance of the instructions in this manual.*



*Risk of electric shock.*



*Caution: hot surface!*



*Do not cover the device.*



*Earthing symbol. This appliance is classified as protection class I and must be connected to an earthed mains socket.*



*The product is in accordance with the applicable safety standards in the European directives.*

### GENERAL SAFETY WARNINGS

**THESE INSTRUCTIONS SHOULD BE READ CAREFULLY AND RETAINED FOR FUTURE REFERENCE, The manufacturer cannot be held liable for any damages caused by failure to observe these instructions.**

This appliance can be used by children aged from 8 years and above and persons with reduced physical, sensory or mental capabilities or lack of experience and knowledge if they have been given supervision or instruction concerning use of the appliance in a safe way and understand the hazards involved. Children shall not play with the appliance. Cleaning and user maintenance shall not be made by children without supervision.

Children of less than 3 years should be kept away unless continuously supervised. Children aged from

3 years and less than 8 years shall only switch on/off the appliance provided that it has been placed or installed in its intended normal operating position and they have been given supervision or instruction concerning use of the appliance in a safe way and understand the hazards involved. Children aged from 3 years and less than 8 years shall not plug in, regulate and clean the appliance or perform user maintenance.

**CAUTION — Some parts of this product can become very hot and cause burns. Particular attention has to be given where children and vulnerable people are present.**

### IMPORTANT SAFETY INSTRUCTIONS

**READ CAREFULLY**—The infrared heater is designed for safe operation. Nevertheless, installation, maintenance and operation of the heater can be dangerous. Observing the following procedures will reduce the risk of fire, electric shock, injury to persons and keep installation time to a minimum. Save these instructions for future use.

- Read all instruction before using this heater.
- Remove the unit from its packaging and check to make sure it is in good condition before using.
- Do not let children play with parts of package (such as plastic bags).
- Check the household voltage to ensure it matches the heater's rated specification.
- Check the power cord and plug carefully before used, to make sure that they are not damaged.
- Before unplugging the power cord, be sure to turn off the power, when energizing the unit, be sure your hands are dry to prevent from electric shock.
- Only use the terrace radiator outdoors or in a large open space. Keep all flammable objects such as tarpaulins, parasols, branches, furniture, curtains, paper etc. out of the way of the device (at least 1 meter also if they are if they are non-stationary objects!). The distance to the walls must be at least 1 meter. The head must be located at least 180 cm above the ground. If you place the device under a roof, there must be a space of at least 50 cm between the cap of the terrace radiator and the (non-flammable) ceiling. With a flammable roof (wood, plastic, tarpaulin etc.) this distance must be at least 1 meter. Always ensure good ventilation!

- Do not locate the device just above or below a wall socket (not in the immediate vicinity).
- The terrace heater is only intended for household use. You should not therefore use it on construction sites, in glasshouses, barns or stalls etc., even if they are largely open. There is usually too much flammable material there.
- Do not use this terrace heater as sauna heating or as a permanent space or room heater.
- Do not use this terrace heater in a kennel or any other location where animals are present.
- Do not use near or in the immediate vicinity of a bath or swimming pool or any source of liquid. Despite the fact that the device is splash proof, you need to be careful with water. Ensure that it cannot fall into the water and do not expose it to powerful jets of water. Do not touch it with wet hands and do not place the device in the area immediately around a bath, washroom, swimming pool or other water supply, as this is dangerous.
- To protect against electric shock, do not immerse cord or plug in water or any other liquid.
- Do not insert or allow foreign objects to enter any ventilation or exhaust opening, as this may cause an electric shock, fire or damage to the heater.
- Ensure there is sufficient light. The switches on the device must be properly visible from a distance of 1 meter.
- Always unplug the heater when not in use. Never leave the device unsupervised when in use, but switch it off and unplug. Do not use the device with a programmer, timer or any other device that switches the device on automatically.
- Do not use the heater with an external voltage regulator such as dimmer, speed controller etc. This produces an electrical hazard.
- Make sure that the cord does not hang over (sharp) edges, does not make strong curves, does not touch hot surfaces. Do not wrap the cord around the device.
- Do not allow cord to overhang the counter top where it can be easily pulled by children.
- Do not put fingers or foreign objects into the grill while in operation.
- Do not leave the appliance unattended when in use.
- This heater is not intended for use in bathrooms, laundry and similar indoor locations, never locate the heater where it may fall into a bathtub or other water container.
- No liability can be accepted for any damage caused by non-compliance with these instructions or any other improper use or mishandling.
- This appliance can be used by children aged from 8 years and above and persons with reduced physical, sensory or mental capabilities or lack of experience and knowledge if they have been given supervision or instruction concerning use of the appliance in a safe way and understand the hazards involved. Children shall not play with the appliance. Cleaning and user maintenance shall not be made by children without supervision.
- If the device for any reason produces cracks or breaks, or if you establish any imperfection or interruption to the aluminium casing or any other part, immediately stop the operation of the device and take the plug from the socket.
- If the power cord is damaged in any way, it must be replaced by the manufacturer or its service agent or a similarly qualified person in order to avoid a hazard.
- To prevent overheating of this appliance, keep the air inlets and outlets clean and free of anything that may cause blockage. Check all inlets and outlets from time to time to ensure it is clear of any dirt or dust accumulation. **DO NOT COVER.** The warning label not to cover the device must also be placed in a clearly visible location after installation: it should not therefore be on the back.
- Parts of the heater may exceed 200°C, contact with the heating tube, reflector, or metal parts near the heating tube, may cause severe BURNS. To avoid burns, do not let bare skin touch the hot surface.
- NEVER place hands under the heating elements. ALWAYS allow heating element to cool at least 10 minutes before touching the heating tube or adjacent parts.
- Do not store any burnable liquids or materials like paint, petrol, gas tanks etc. in the immediate surroundings of the device. Don't use the device in flammable ambience, such as nearby combustible gas tanks, gas tubes or spray cans. Danger of explosion and fire!
- This product contains recyclable materials. Do not dispose this product as unsorted community waste. Please contact your local authorities for the nearest collection point.
- Place the device with a minimum distance of:
  - 50 cm to a non-flammable ceiling or roof;

- 100 cm to a flammable ceiling or roof;
- 50 cm to the side walls

### Electrical safety



Always check that the voltage of the power supply corresponds to the voltage on the rating plate.

- Do not use the machine if the mains cable or the mains plug is damaged.
- Only use extension cables that are suitable for the power rating of the machine with a minimum thickness of 1.5 mm<sup>2</sup>. If you use an extension cable reel, always fully unroll the cable.

## 2. MACHINE INFORMATION

### Intended use

This product is designed as a patio heater for domestic environments. The heater is intended for private gardens or other outdoor areas at home. The heater may not be used to heat an indoor space, usage as a non-household outdoor space heater or for the drying of textiles or other materials. This heater is not equipped with a device to control the room temperature so do not use this heater in spaces when they are occupied by persons not capable of leaving the room on their own, unless constant supervision is provided. The device is to be used only for its prescribed purpose. Any other use is deemed to be a case of misuse.

### TECHNICAL SPECIFICATIONS

<b>Model No.</b>	<b>PH513AC</b>
Voltage	220-240 V ~
Frequency	50 Hz
Power	2000W
Power settings	1: 800W 2: 1200W 3: 2000W
Height	225cm
Baseplate diameter	Ø 47cm
Heating element type	Halogen
Heating time	3-5 second
Heating distance	3m
Heating area	9m <sup>2</sup>

Colour temperature	3000-3500K
Tip-over safety switch	Yes
Ingress protection class	IPX4
Protection class	Class I
Weight	14.1 kg

### DESCRIPTION

The numbers in the text refer to the diagrams on page 2-5.

1. Heater
2. Protective grill
3. On/off switch
4. Upper tube
5. Middle tube
6. Lower tube
7. Cover
8. Feet
9. Baseplate
10. Left on/off switch
11. Right on/off switch
12. Power cable
13. Cable connector box
14. Cable holder
15. Baseplate bracket
16. Bolt
17. Nut
18. Long screw
19. Short screw
20. Sleeve anchor

## 3. ASSEMBLY



This heater should be installed by a competent person, i.e. a qualified electrician.



Always disconnected the heater from the electrical supply and allow it to cool before installation.

### Assembling the heater (Fig. B-G)



Always mount the device with the supplied accessories.

Before starting to assemble the device, take the following into consideration:

- Place the device on a firm, level surface. The device may never be placed at an angle!



- The device must be placed so that there is 100 cm of free space between the heater and object or wall, measured from the front or side. There must be at least 1.80 m between the ground and the underside of the device. There must be at least 30cm clearance between the device and the ceiling.
  - Do not install the heater on or near an inflammable surface.
  - If the heater is to be used outside, a weather-proof outlet is highly recommended.
  - Before drilling ensure that there are no wires or water pipes in the area where the heater is to be installed.
1. Start by mounting the lower tube (6) onto the baseplate (9). Tighten the bolt (16) and nut (17) as shown on figure B.
  2. Slide the cover (7) onto the lower tube (6) as shown on figure B. This will hide the bolts (16) from plain sight.
  3. Put the assembly and its side, and guide the power cable (12) through the centre of the baseplate (9) and through the lower tube (6), as shown in figure C.
  4. Take the middle tube (5) and guide the power cable through this tube as well. Keep hold of the middle tube (5) and follow the next step.
  5. Now screw the middle tube (5) onto the lower tube (6) in clockwise direction, until it is tight. Refer to figure C.
  6. Take the upper tube (4) and guide the power cable through this tube as well. Keep hold of the upper tube (4) and follow the next step.
  7. Now screw the upper tube (4) onto the middle tube (5) in clockwise direction, until it is tight. Refer to figure D.
  8. Put the assembled baseplate (9) and tubes in upright position.
  9. Now take the heater (1) and connect it to the power cable (12) as shown on figure E.
  10. Put the cable connector box (13) on the cable connectors and fold it closed, as shown on figure E. This will seal the cable connectors and prevent them from becoming loose.
  11. Slide the protruding part of the heater (1) with the properly connected cable assembly onto the upper tube (4) as shown on figure F.
  12. Ensure the two holes in the protruding part of the heater (1) align with the holes in the upper tube (4).

13. Now secure the heater (1) in place by tightening the long screws (18) into the holes of the upper tube (4) and thus the heater.

14. Secure the power cable (12) onto the baseplate (9), using the cable holder (14) and the two short screws (19). Refer to figure G.

#### Fixing the heater base (Fig. H)

It is strongly advised to secure the heater to the ground surface by using the specially designed baseplate brackets (15). These brackets prevent the heater from falling over, especially when being used outdoors where windy conditions are no exception. To mount the baseplate brackets:

1. Take the baseplate brackets (15) and place them evenly spaced around the baseplate (9).
2. Now mark the drilling holes onto the ground surface through the holes of the baseplate brackets (15).
3. Remove the baseplate brackets and drill holes in the marked positions. Use a drillbit diameter that corresponds with the used sleeve anchors (20). Drill around 10 to 15 mm deeper than the expected embedment. Ensure the holes are level and at exactly the same height.
4. Clean out the holes of any debris and put the baseplate brackets (15) in place.
5. Set the nut flush with the top of the sleeve anchor (20).
6. Insert the sleeve anchor (20) into the hole in the floor material. Using a hammer, insert the sleeve anchor as far until the washer and nut are tight against the floor material.
7. Now put the baseplate bracket (15) on the sleeve anchor (11), and mount it using the washer and nut. Turn the nut until finger tight.
8. Use a wrench to set the anchor by turning the nut three to four full turns.
9. Mount the remaining 2 baseplate brackets (15).

## 4. OPERATION



**WARNING.** Before each use, check that: your hands are dry before operating the device, the device is clean and dry, the device is not damaged, the device is properly assembled and securely mounted to the floor.

### Switching on/off and adjusting the power level (Fig. A)

The heater can be turned on and off using the on/off switch (3). The heater is equipped with two switches, to not only turn the device on or off, but also adjust the power level in a total of three different settings:

- Left on/off switch (10) turned on (I), right on/off switch (11) turned off (O): Level 1 - 800W
- Left on/off switch (10) turned off (O), right on/off switch (11) turned on (I): Level 2 - 1200W
- Left on/off switch (10) turned on (I), right on/off switch (11) turned on (I): Level 3 - 2000W

### Tip-over safety switch (Fig. A)

This heater is fitted with a tip-over safety switch. In the event that the heater falls over, the heater automatically shuts off.

Please note that when the heater is returned to its upright position, it does not resume its operating immediately. First switch it off (read 'switching on/off'), remove the plug from the socket and check the heater for damage. In case of damage or malfunctioning do not use but offer for checking / repair. If there is no damage, you can simply switch the heater on again (read 'switching on/off').

## 5. MAINTENANCE



*Always make sure that the machine is not connected to the mains electricity when you carry out any maintenance of the mechanism.*



**CAUTION:** Risk of Electric Shock. DO NOT open or try to repair the heater yourself.

Clean the machine casings regularly with a soft cloth, preferably after each use. Make sure that the ventilation openings are free of dust and dirt. Remove very persistent dirt using a soft cloth moistened with soapsuds. Do not use any solvents such as gasoline, alcohol, ammonia, etc. Chemicals such as these will damage the synthetic components.

- DO NOT use alcohol, gasoline, abrasive powders, furniture polish or rough brushes to clean the heater. This may cause damage or deterioration to the surface of the heater.
- DO NOT immerse the heater in water.

- Wait until the heater is completely dry before use.

### ATTENTION:

- Always disconnect the heater from the electricity supply and allow it to cool before attempting to clean it.
- If the heater has collected dust or dirt inside the unit or around the heating element, have to unit cleaned by a qualified service agent. Do not operate the heater in this condition.
- The only maintenance required is cleaning of the external surfaces of the heater.
- Do not touch the heating element with bare fingers, as residue from your hand could affect the life of the lamp. If it is accidentally touched, remove the finger marks with a soft cloth moistened with mentholated spirit or alcohol.
- Do not attempt to repair or adjust any electrical or mechanical functions on this heater.
- The heater contains no user serviceable parts. Should the product suffer damage or breakdown, it must be returned to the manufacturer or its service agent.
- Damaged supply cords to be replaced by the manufacturer, service agent or similarly qualified person in order to avoid hazard.

### Storage

Store the heater in a cool, dry location when not in use to prevent dust and dirt build up. Use packaging carton to store.

### Trouble Shooting

If the heater will not operate, please check the following before seeking repair or service:

- Check if the power cord is plugged into an electrical outlet, if not plug in.
- Check if electricity to the main fuse is working.
- Make certain the power switches are turned on. If not, choose a setting.

## ENVIRONMENT



*Faulty and/or discarded electrical or electronic apparatus have to be collected at the appropriate recycling locations.*

### Only for EC countries

Do not dispose of power tools into domestic waste. According to the European Guideline 2012/19/EC

for Waste Electrical and Electronic Equipment and its implementation into national right, power tools that are no longer usable must be collected separately and disposed of in an environmentally friendly way.

## WARRANTY

VONROC products are developed to the highest quality standards and are guaranteed free of defects in both materials and workmanship for the period lawfully stipulated starting from the date of original purchase. Should the product develop any failure during this period due to defective material and/or workmanship then contact VONROC directly.

The following circumstances are excluded from this guarantee:

- Repairs and or alterations have been made or attempted to the machine by unauthorized service centers;
- Normal wear and tear;
- The tool has been abused, misused or improperly maintained;
- Non-original spare parts have been used.

This constitutes the sole warranty made by company either expressed or implied. There are no other warranties expressed or implied which extend beyond the face hereof, herein, including the implied warranties of merchantability and fitness for a particular purpose. In no event shall VONROC be liable for any incidental or consequential damages. The dealers remedies shall be limited to repair or replacement of nonconforming units or parts.

**The product and the user manual are subject to change. Specifications can be changed without further notice.**

## 1. SICHERHEITSHINWEISE

Lesen Sie die beigefügten Sicherheitswarnungen, die zusätzlichen Sicherheitswarnungen und die Anweisungen. Die Nichteinhaltung der Sicherheitswarnungen und der Anweisungen kann in einem Stromschlag, Brand und/oder in schweren Verletzungen resultieren. Bewahren Sie die Sicherheitswarnungen und Anweisungen für künftige Referenzzwecke auf.

Die folgenden Symbole werden im Benutzerhandbuch oder auf dem Produkt verwendet:



*Lesen Sie das Benutzerhandbuch.*



*Bedeutet, dass bei Nichtbeachtung der Anweisungen in dieser Anleitung Verletzungen, Tod oder Beschädigung des Heizgeräts die Folge sein können.*



*Stromschlagrisiko.*



*Achtung: heiße Oberfläche!*



*Das Gerät nicht abdecken.*



*Erdungssymbol. Dieses Gerät ist in Schutzklasse I eingestuft und muss an eine geerdete Netzsteckdose angeschlossen werden.*



*Das Produkt entspricht den geltenden Sicherheitsstandards in den europäischen Richtlinien.*

**ALLGEMEINE SICHERHEITSWARNUNGEN  
DIESE ANWEISUNGEN MÜSSEN SORGFÄLTIG  
GELESEN UND ZUM SPÄTEREN NACHSCHLAGEN  
AUFBEWAHRT WERDEN,  
Der Hersteller kann nicht für Schäden haftbar  
gemacht werden, die durch Nichtbeachtung dieser  
Anweisungen entstehen.**

Dieses Gerät darf von Kindern ab 8 Jahren und Personen mit eingeschränkten körperlichen, sensorischen oder geistigen Fähigkeiten oder fehlender Erfahrung und Kenntnissen benutzt werden, wenn sie in sicherer Weise beaufsichtigt oder eingewiesen wurden und die damit

verbundenen Gefahren verstehen. Kinder dürfen nicht mit dem Gerät spielen. Die Reinigung und Pflege durch den Benutzer darf von Kindern nicht ohne Aufsicht durchgeführt werden.

Kinder unter 3 Jahren sollten von diesem Produkt ferngehalten werden, sofern sie nicht ständig beaufsichtigt werden. Kinder zwischen 3 und 8 Jahren dürfen das Gerät nur ein- bzw. ausschalten, wenn das Gerät in seiner vorgesehenen normalen Betriebsposition aufgestellt bzw. installiert wurde und die Kinder in der sicheren Verwendung des Geräts unterwiesen wurden und die entsprechenden Gefahren verstehen oder wenn sie dabei beaufsichtigt werden. Kinder zwischen 3 und 8 Jahren dürfen das Gerät nicht mit der Stromversorgung verbinden und keine Einstellungs-, Reinigungs- oder Wartungsarbeiten daran vornehmen.

**VORSICHT – Einige Teile dieses Produkts können sehr heiß werden und Verbrennungen verursachen. Besondere Aufmerksamkeit ist geboten, wenn Kinder und schutzbedürftige Personen anwesend sind.**

### WICHTIGE SICHERHEITSANWEISUNGEN

**SORGFÄLTIG LESEN** – Dieses Infrarotheizgerät ist für einen sicheren Betrieb ausgelegt. Dennoch können Installation, Wartung und Betrieb des Heizgeräts gefährlich sein. Die Einhaltung der folgenden Verfahren verringert das Risiko von Feuer, Stromschlag und Verletzungen und reduziert die Installationsdauer auf ein Minimum. Bewahren Sie diese Anweisungen zur späteren Verwendung auf.

- Lesen Sie alle Anweisungen, bevor Sie das Heizgerät verwenden.
- Nehmen Sie das Gerät aus der Verpackung und prüfen Sie vor der Verwendung, ob es in gutem Zustand ist.
- Lassen Sie keine Kinder mit Teilen der Verpackung (wie z. B. Plastiktüten) spielen.
- Prüfen Sie die Haushaltsspannung, um sicherzustellen, dass sie mit der Nennspezifikation des Heizgeräts übereinstimmt.
- Überprüfen Sie das Netzkabel und den Netzstecker vor der Verwendung sorgfältig, um sicherzustellen, dass sie nicht beschädigt sind.
- Bevor Sie das Netzkabel aus der Steckdose ziehen, achten Sie darauf, das Gerät auszuschalten. Beim Einschalten ist darauf zu achten, dass Ihre Hände trocken sind, um einen Stromschlag zu vermeiden.
- Verwenden Sie den Terrassenheizstrahler nur im Freien oder in einem großen offenen Bereich. Halten Sie alle brennbaren Gegenstände wie Planen, Sonnenschirme, Äste, Möbel, Vorhänge, Papier usw. von dem Gerät fern (mindestens 1 Meter, auch wenn es sich um bewegliche Gegenstände handelt!). Der Abstand zu den Wänden muss mindestens 1 Meter betragen. Der Kopf muss sich mindestens 180 cm über dem Boden befinden. Wenn das Gerät unter einem Dach aufgestellt wird, muss zwischen dem Deckel des Terrassenheizstrahlers und der (nicht brennbaren) Decke ein Abstand von mindestens 50 cm bestehen. Bei einem brennbaren Dach (aus Holz, Kunststoff, Plane usw.) muss dieser Abstand mindestens 1 Meter betragen. Sorgen Sie immer für eine gute Belüftung!
- Platzieren Sie das Gerät nicht direkt über oder unter einer Wandsteckdose (also nicht in unmittelbarer Nähe).
- Diese Terrassenheizung ist nur für den Privatgebrauch bestimmt. Sie sollten sie daher nicht auf Baustellen, in Gewächshäusern, Scheunen oder Ställen usw. verwenden, auch wenn diese weitgehend offen gestaltet sind. Dort ist normalerweise zu viel brennbares Material vorhanden.
- Verwenden Sie diese Terrassenheizung nicht als Saunaheizgerät oder als ständige Heizung für Bereiche oder Zimmer.
- Verwenden Sie diese Terrassenheizung nicht in einem Zwinger oder an einem anderen Ort, an dem sich Tiere befinden.
- Verwenden Sie das Gerät nicht in der Nähe oder in unmittelbarer Nähe einer Badewanne, eines Swimmingpools oder einer Flüssigkeitsquelle. Obwohl das Gerät spritzwassergeschützt ist, sollte der Kontakt mit Wasser vermieden werden. Stellen Sie sicher, dass das Gerät nicht ins Wasser fallen kann, und setzen Sie es keinen starken Wasserstrahlen aus. Berühren Sie das Gerät nicht mit nassen Händen und stellen Sie es nicht in der unmittelbaren Umgebung einer Badewanne, eines Waschraums, eines Swimmingpools oder einer anderen Stelle mit Wasserversorgung auf, da dies zu Gefahren führen kann.
- Zum Schutz vor Stromschlägen tauchen Sie

Kabel oder Stecker keinesfalls in Wasser oder andere Flüssigkeiten ein.

- Stecken Sie keine Gegenstände in die Lüftungs- oder Abluftöffnungen und lassen Sie auch keine Gegenstände in diese Öffnungen eindringen, da dies zu einem Stromschlag, Brand oder einer Beschädigung des Heizgeräts führen kann.
- Sorgen Sie für ausreichende Beleuchtung. Die Schalter am Gerät müssen aus einer Entfernung von 1 Meter gut sichtbar sein.
- Ziehen Sie immer den Netzstecker ab, wenn Sie das Gerät nicht benutzen. Lassen Sie das Gerät während des Betriebs nie unbeaufsichtigt, sondern schalten Sie es aus und ziehen Sie den Netzstecker ab. Verwenden Sie das Gerät nicht mit einem Programmiergerät, einer Zeitschaltuhr oder einer anderen Vorrichtung, die das Gerät automatisch einschaltet.
- Verwenden Sie das Heizgerät nicht mit einem externen Spannungsregler wie Dimmer, Drehzahlsteller usw. Dadurch entsteht eine elektrische Gefährdung.
- Achten Sie darauf, dass das Kabel nicht über (scharfe) Kanten hängt, nicht stark gebogen oder geknickt wird und keine heißen Oberflächen berühren kann. Wickeln Sie nicht das Kabel um das Gerät.
- Lassen Sie das Kabel nicht über eine Thekenplatte o.ä. hinausragen, wo Kinder leicht daran ziehen können.
- Stecken Sie während des Betriebs keine Finger oder Gegenstände in das Gitter.
- Lassen Sie das Gerät nicht unbeaufsichtigt, während es läuft.
- Dieses Heizgerät ist nicht für den Gebrauch in Badezimmern, Wäschereien und ähnlichen Innenräumen vorgesehen. Stellen Sie das Heizgerät niemals so auf, dass es in eine Badewanne oder einen anderen Wasserbehälter fallen kann.
- Es kann keine Haftung für Schäden übernommen werden, die durch Nichtbeachtung dieser Anweisungen oder durch unsachgemäße Verwendung oder falsche Handhabung entstehen.
- Dieses Gerät darf von Kindern ab 8 Jahren und Personen mit eingeschränkten körperlichen, sensorischen oder geistigen Fähigkeiten oder fehlender Erfahrung und Kenntnissen benutzt werden, wenn sie in sicherer Weise beaufsichtigt oder eingewiesen wurden und

die damit verbundenen Gefahren verstehen.

Kinder dürfen nicht mit dem Gerät spielen. Die Reinigung und Pflege durch den Benutzer darf von Kindern nicht ohne Aufsicht durchgeführt werden.

- Sollte das Gerät aus irgendeinem Grund Risse oder Brüche aufweisen, oder sollten Sie eine Unvollkommenheit oder Unterbrechung am Aluminiumgehäuse oder einem anderen Teil feststellen, stellen Sie den Betrieb des Geräts sofort ein und ziehen Sie den Netzstecker aus der Steckdose.
- Wenn das Stromkabel auf irgendeine Weise beschädigt ist, muss es vom Hersteller, seinem Kundendienst oder einer ähnlich qualifizierten Person ausgetauscht werden, um eine Gefährdung zu vermeiden.
- Um eine Überhitzung dieses Geräts zu vermeiden, halten Sie die Lufteinlässe und -auslässe sauber und frei von allem, was eine Verstopfung verursachen könnte. Überprüfen Sie regelmäßig alle Ein- und Auslässe, um sicherzustellen, dass sie frei von Schmutz- oder Staubansammlungen sind. NICHT ABDECKEN. Der Waraufkleber mit dem Hinweis, das Gerät nicht abzudecken, muss nach der Installation gut sichtbar sein. Er sollte sich daher nicht auf der Rückseite befinden.
- Teile des Heizgeräts können 200°C überschreiten. Der Kontakt mit dem Heizrohr, dem Reflektor oder Metallteilen in der Nähe des Heizrohrs kann daher schwere VERBRENNUNGEN verursachen. Um Verbrennungen zu vermeiden, lassen Sie keine nackte Haut die heiße Oberfläche berühren.
- Halten Sie NIEMALS die Hände unter die Heizelemente. Lassen Sie das Heizelement IMMER mindestens 10 Minuten abkühlen, bevor Sie das Heizrohr oder benachbarte Teile berühren.
- Lagern Sie in der unmittelbaren Umgebung des Geräts keine brennbaren Flüssigkeiten oder Materialien wie Farbe, Benzin, Gastanks usw. Verwenden Sie das Gerät nicht in brennbarer Umgebung, wie z. B. in der Nähe von Tanks mit brennbarem Gas, Gasrohren oder Sprühdosen. Explosions- und Brandgefahr!
- Dieses Produkt enthält wiederverwertbare Materialien. Entsorgen Sie dieses Produkt nicht als unsortierten Restmüll. Die nächstgelegene Entsorgungsstelle erfahren Sie bei den örtlichen Behörden.

- Stellen Sie das Gerät mit folgenden Mindestabständen auf:
  - 50 cm zu nicht brennbaren Decken oder Dächern;
  - 100 cm zu brennbaren Decken oder Dächern;
  - 50 cm zu Seitenwänden.

### Elektrische Sicherheit



*Immer prüfen, dass die Spannung der Stromversorgung der Spannung auf dem Typenschild entspricht.*

- Das Gerät nicht verwenden, wenn das Netzkabel oder der Netzstecker beschädigt ist.
- Nur Verlängerungskabel verwenden, die für die Leistungswerte des Geräts geeignet sind und eine Mindestdicke von 1,5 mm<sup>2</sup> aufweisen. Bei Verwendung eines Verlängerungskabels auf einer Kabeltrommel muss das Kabel immer komplett abgewickelt werden.

## 2. MASCHINENDATEN

### Verwendungszweck

Dieses Produkt ist für Terrassenheizgeräte für häusliche Umgebungen konzipiert. Das Heizgerät ist für private Gärten oder andere private Außenbereiche vorgesehen. Das Heizgerät darf nicht zum Heizen von Innenräumen, von gewerblichen Räumen oder zum Trocknen von Textilien oder anderen Materialien verwendet werden. Dieses Heizgerät ist nicht mit einer Vorrichtung zur Regelung der Raumtemperatur ausgestattet. Es darf daher nicht in Räumen verwendet werden, in denen sich Personen aufhalten, die diese Räume nicht selbstständig verlassen können, sofern diese Personen nicht ständig beaufsichtigt werden. Das Gerät darf nur für den vorgeschriebenen Zweck eingesetzt werden. Jede andere Verwendung gilt als Missbrauch.

### TECHNISCHE DATEN

<b>Modellnr.</b>	<b>PH513AC</b>
Spannung	220-240 V ~
Frequenz	50 Hz
Leistung	2000 W

Leistungseinstellungen	1: 800 W 2: 1200 W 3: 2000 W
Höhe	225 cm
Basisplattendurchmesser	Ø 47cm
Heizelementtyp	Halogen
Heizdauer	3-5 Sekunde
Heizstrecke	3 m
Heizbereich	9m <sup>2</sup>
Farbtemperatur	3000-3500 K
Kippschutzschalter	Ja
Eindringsschutzklasse	IPX4
Schutzklasse	Klasse I
Gewicht	14,1 kg

### BESCHREIBUNG

Die Zahlen im Text beziehen sich auf die Abbildungen auf den Seiten 2-5.

1. Heizgerät
2. Schutzgitter
3. Ein-/Ausschalter
4. Oberes Rohr
5. Mittleres Rohr
6. Unteres Rohr
7. Abdeckung
8. Füße
9. Basisplatte
10. Linker Ein-/Ausschalter
11. Rechter Ein-/Ausschalter
12. Stromkabel
13. Kabelanschlusskasten
14. Kabelhalter
15. Basisplattenhalterung
16. Schraube
17. Mutter
18. Langschraube
19. Kurzschraube
20. Spreizanker

## 3. MONTAGE



*Dieses Heizgerät sollte von einer sachkundigen Person, d. h. von einem qualifizierten Elektriker, installiert werden.*



*Trennen Sie das Heizgerät vor der Installation immer vom Stromnetz und lassen Sie es abkühlen.*

### Montage des Heizgeräts (Abb. B-G)



*Montieren Sie das Gerät nur mit dem mitgelieferten Zubehör.*

Vor dem Beginn mit der Montage des Geräts sollten Sie Folgendes berücksichtigen:

- Stellen Sie das Gerät auf eine feste, ebene Fläche. Das Gerät darf niemals in einem schrägen Winkel aufgestellt werden!
  - Das Gerät muss so aufgestellt werden, dass zwischen Heizgerät und anderen Gegenständen oder einer Wand 100 cm Abstand ist, jeweils gemessen von vorne oder von der Seite. Zwischen Boden und Unterseite des Geräts müssen mindestens 1,80 m Abstand sein. Zwischen Gerät und Decke müssen mindestens 30 cm Abstand sein.
  - Bringen Sie das Heizgerät keinesfalls an oder in der Nähe einer brennbaren Oberfläche an.
  - Wenn das Heizgerät im Freien verwendet werden soll, wird eine wetterfeste Steckdose dringend empfohlen.
  - Vergewissern Sie sich vor dem Bohren, dass sich keine Kabel oder Wasserleitungen in dem Bereich befinden, in dem das Heizgerät angebracht werden soll.
1. Montieren Sie zuerst das untere Rohr (6) an der Basisplatte (9). Ziehen Sie die Schraube (16) und die Mutter (17) wie in Abbildung B gezeigt an.
  2. Schieben Sie die Abdeckung (7) wie in Abbildung B gezeigt auf das untere Rohr (6). Dadurch sind die Schrauben (16) nicht mehr direkt sichtbar.
  3. Legen Sie die Baugruppe auf die Seite und führen Sie das Stromkabel (12) durch die Mitte der Basisplatte (9) und durch das untere Rohr (6), siehe Abbildung C.
  4. Halten Sie das mittlere Rohr (5) und führen Sie das Stromkabel auch durch dieses Rohr. Halten Sie das mittlere Rohr (5) weiter fest und machen Sie mit dem nächsten Schritt weiter.
  5. Schrauben Sie jetzt das mittlere Rohr (5) im Uhrzeigersinn auf das untere Rohr (6), bis es fest sitzt. Siehe dazu Abbildung C.

6. Halten Sie das obere Rohr (4) und führen Sie das Stromkabel auch durch dieses Rohr. Halten Sie das obere Rohr (4) weiter fest und machen Sie mit dem nächsten Schritt weiter.
7. Schrauben Sie jetzt das obere Rohr (4) im Uhrzeigersinn auf das mittlere Rohr (5), bis es fest sitzt. Siehe dazu Abbildung D.
8. Bringen Sie die montierte Basisplatte (9) und die Rohre in eine aufrechte Position.
9. Verbinden Sie jetzt das Heizgerät (1) mit dem Stromkabel (12), siehe Abbildung E.
10. Setzen Sie den Kabelanschlusskasten (13) auf die Kabelanschlüsse und falten Sie es in die geschlossene Position zusammen, siehe Abbildung E. Dadurch werden die Kabelanschlüsse abgedichtet und können sich nicht mehr lockern.
11. Schieben Sie den vorstehenden Teil des Heizgeräts (1) mit der richtig angeschlossenen Kabelbaugruppe auf das obere Rohr (4), siehe Abbildung F.
12. Achten Sie darauf, dass die beiden Löcher im vorstehenden Teil des Heizgeräts (1) an den Löchern im oberen Rohr (4) ausgerichtet sind.
13. Sichern Sie jetzt das Heizgerät (1), indem die Langschrauben (18) in den Löchern des oberen Rohrs (4) und damit im Heizgerät festgezogen werden.
14. Sichern Sie das Stromkabel (12) mit Hilfe des Kabelhalters (14) und den beiden Kurzschrauben (19) an der Basisplatte (9). Siehe dazu Abbildung G.

### Befestigen des Heizgerätesockels (Abb. H)

Es wird dringend dazu geraten, das Heizgerät mit Hilfe der speziell dazu vorgesehenen Basisplattenhalterungen (15) am Boden zu befestigen. Diese Halterungen verhindern, dass das Heizgerät umfällt, insbesondere bei Verwendung im Freien, wo es Wind ausgesetzt ist. Montieren der Basisplattenhalterungen:

1. Platzieren Sie die Basisplattenhalterung (15) in gleichmäßigem Abstand um die Basisplatte (9) herum.
2. Markieren Sie dann die Bohrlöcher durch die Löcher in der Basisplattenhalterung (15) hindurch auf dem Boden.
3. Nehmen Sie die Basisplattenhalterungen weg und bohren Sie an den markierten Stellen die Löcher in den Boden. Verwenden Sie dazu einen Bohrereinsatz mit einem Durchmesser, der dem

des verwendeten Spreizankers (20) entspricht. Bohren Sie etwa 10 bis 15 mm tiefer als die erwartete Einbettung. Stellen Sie sicher, dass die Bohrlöcher eben und auf genau derselben Höhe sind.

4. Entfernen Sie Verschmutzungen aus den Bohrlöchern und legen Sie die Basisplattenhalterungen (15) an ihre Position.
5. Setzen Sie die Mutter bündig mit der Oberseite des Spreizankers (20).
6. Setzen Sie den Spreizanker (20) in das Bohrloch im Boden ein. Schlagen Sie den Spreizanker mit Hilfe eines Hammers vorsichtig so weit ein, bis Unterlegscheibe und Mutter bündig zum Boden sind.
7. Setzen Sie nun die Basisplattenhalterung (15) auf den Spreizanker (11) und montieren Sie ihn mit Unterlegscheibe und Mutter. Drehen Sie die Mutter fingerfest an.
8. Verwenden Sie zum Setzen des Ankers einen Schraubenschlüssel und drehen Sie die Mutter drei bis vier volle Umdrehungen.
9. Montieren Sie die anderen 2 Basisplattenhalterungen (15).

#### 4. BETRIEB



**WARNUNG.** Achten Sie vor jeder Benutzung auf Folgendes: dass Ihre Hände trocken sind, dass das Gerät sauber und trocken ist, dass es nicht beschädigt ist, dass es ordnungsgemäß zusammengebaut und sicher am Boden befestigt ist.

##### Ein- und Ausschalten und Einstellen der Leistungsstufe (Abb. A)

Das Heizgerät kann mit dem Ein-/Ausschalter (3) ein- und ausgeschaltet werden. Das Heizgerät ist mit zwei Schaltern ausgestattet, mit den es nicht nur ein- oder ausgeschaltet wird, sondern die auch das Einstellen auf drei verschiedene Leistungsstufen ermöglichen:

- Linker Ein-/Ausschalter (10) eingeschaltet (I), rechter Ein-/Ausschalter(11) ausgeschaltet (O): Stufe 1 - 800W
- Linker Ein-/Ausschalter (10) ausgeschaltet (O), rechter Ein-/Ausschalter(11) eingeschaltet (I): Stufe 2 - 1200W
- Linker Ein-/Ausschalter (10) eingeschaltet (I), rechter Ein-/Ausschalter(11) eingeschaltet (I): Stufe 3 - 2000W

##### Kippschutzschalter (Abb. A)

Diese Heizung ist mit einem Kippschutzschalter ausgestattet. Sollte die Heizung umfallen, schaltet sie sich automatisch ab.

Beachten Sie, dass die Heizung nicht sofort wieder in Betrieb genommen werden kann, wenn sie zurück in ihre aufrechte Position gestellt wurde. Schalten Sie sie zunächst aus (siehe Abschnitt „Ein-/Ausschalten“), ziehen Sie den Stecker aus der Steckdose und überprüfen Sie die Heizung auf Schäden. Bei einer Beschädigung oder Fehlfunktion nicht verwenden, sondern überprüfen bzw. reparieren lassen. Liegt kein Schaden vor, können Sie die Heizung einfach wieder einschalten (siehe Abschnitt „Ein-/Ausschalten“).

#### 5. WARTUNG



*Achten Sie immer darauf, dass die Maschine nicht an das Stromnetz angeschlossen ist, wenn Sie Wartungsarbeiten an dem Gerät durchführen.*



**VORSICHT: Stromschlagrisiko.** Öffnen Sie das Heizgerät **NICHT** und versuchen Sie **NICHT**, es selbst zu reparieren.

Die Maschinengehäuse regelmäßig mit einem weichen Tuch reinigen, vorzugsweise nach jedem Gebrauch. Sicherstellen, dass die Lüftungsöffnungen frei von Staub und Schmutz sind. Sehr hartnäckigen Schmutz mit einem mit Seifenlauge befeuchteten Tuch entfernen. Keine Lösungsmittel wie Benzin, Alkohol, Ammoniak usw. verwenden, da Chemikalien dieser Art die Kunststoffteile beschädigen.

- Verwenden Sie zum Reinigen des Heizgeräts **KEINESFALLS** Alkohol, Benzin, Scheuerpulver, Möbelpolitur oder raue Bürsten. Dies kann zu einer Beschädigung oder Verschlechterung der Oberfläche des Geräts führen.
- Das Heizgerät **NICHT** in Wasser eintauchen.
- Warten Sie vor der nächsten Verwendung, bis das Heizgerät vollständig trocken ist.

##### ACHTUNG:

- Trennen Sie das Heizgerät vor einem Reinigungsversuch immer von der Stromversorgung und lassen Sie es abkühlen.



- Wenn sich Staub oder Schmutz im Inneren des Geräts oder um das Heizelement herum angesammelt hat, muss das Gerät von einem qualifizierten Kundendienstmitarbeiter gereinigt werden. Betreiben Sie das Heizgerät in einem solchen Fall nicht weiter.
- Die einzige erforderliche Pflege ist die Reinigung der Außenflächen des Heizgeräts.
- Berühren Sie das Heizelement nicht mit bloßen Fingern, da Rückstände von der Hand die Lebensdauer der Lampe beeinträchtigen könnten. Wenn es versehentlich berührt wird, entfernen Sie die Fingerabdrücke mit einem weichen, mit mentholisiertem Alkohol oder Alkohol befeuchteten Tuch.
- Versuchen Sie nicht, elektrische oder mechanische Funktionen dieses Heizgerät zu reparieren oder einzustellen.
- Das Heizgerät enthält keine vom Benutzer zu wartenden Teile. Sollte das Produkt einen Schaden oder einen Defekt erleiden, muss es an den Hersteller oder dessen Kundendienstvertreter zurückgeschickt werden.
- Ein beschädigtes Netzkabel muss vom Hersteller, dem Kundendienst oder einer ähnlich qualifizierten Person ausgetauscht werden, um Gefährdungen zu vermeiden.

### Aufbewahrung

Bewahren Sie das Heizgerät bei Nichtgebrauch an einem kühlen, trockenen Ort auf, um die Ansammlung von Staub und Schmutz zu vermeiden. Verwenden Sie zur Aufbewahrung den Verpackungskarton.

### Fehlersuche

Wenn das Heizgerät nicht funktioniert, überprüfen Sie bitte Folgendes, bevor Sie eine Reparatur oder Wartung durchführen lassen:

- Prüfen Sie, ob das Netzkabel an eine Steckdose angeschlossen ist; falls nicht, stecken Sie es ein.
- Prüfen Sie, ob die Stromzufuhr zur Hauptsicherung funktioniert.
- Stellen Sie sicher, dass die Netzschalter eingeschaltet sind; falls nicht, wählen Sie eine Einstellung.

## UMWELT



*Fehlerhafte und/oder ausgesonderte elektrische oder elektronische Geräte müssen zu den entsprechenden Recyclingorten gebracht werden.*

### Nur für EU-Länder

Entsorgen Sie Elektrowerkzeuge nicht im Hausmüll. Nach der europäischen Richtlinie 2012/19/EG über Elektro- und Elektronik-Altgeräte und ihrer Umsetzung in nationales Recht müssen Elektrowerkzeuge, die nicht mehr verwendet werden sollen, getrennt gesammelt und auf umweltgerechte Weise entsorgt werden.

## GARANTIE

VONROC-Produkte werden nach den höchsten Qualitätsstandards entwickelt und sind für den gesetzlich festgelegten Zeitraum ab dem Datum des ursprünglichen Kaufs garantiert frei von Material- und Verarbeitungsfehlern. Sollte das Produkt während dieses Zeitraums aufgrund von Material- und/oder Verarbeitungsfehlern ausfallen, wenden Sie sich bitte direkt an VONROC. Folgende Umstände sind aus der Garantie ausgeschlossen:

- An der Maschine wurden von nicht autorisierten Servicestellen Reparaturen und/oder Änderungen vorgenommen oder versucht;
- Normaler Verschleiß;
- Das Gerät wurde missbräuchlich oder falsch verwendet oder unsachgemäß gewartet;
- Es wurden keine Originalersatzteile verwendet.

Dies ist die einzige ausdrückliche oder stillschweigende Garantie, die das Unternehmen übernimmt. Es gibt keine weiteren ausdrücklichen oder stillschweigenden Garantien, die über die hierin enthaltenen Angaben hinausgehen, einschließlich der stillschweigenden Garantien der Gebrauchstauglichkeit und Eignung für einen bestimmten Zweck. VONROC haftet in keinem Fall für zufällige Schäden oder Folgeschäden. Die Rechtsmittel des Händlers beschränken sich auf die Reparatur oder den Austausch der nicht konformen Geräte oder Teile.

**Das Produkt und die Bedienungsanleitung können Änderungen unterliegen. Technische Daten können ohne vorherige Ankündigung geändert werden.**

## 1. VEILIGHEIDSINSTRUCTIES

Lees de bijgesloten veiligheidswaarschuwingen, de aanvullende veiligheidswaarschuwingen en de instructies. Geeft u geen gevolg aan de veiligheidswaarschuwingen en de instructies dan kan dat een elektrische schok, brand en/of ernstig letsel tot gevolg hebben. Bewaar de veiligheidswaarschuwingen en de instructies zodat u ze later ook nog kunt raadplegen.

De volgende symbolen worden gebruikt in de gebruiksaanwijzing of op het product:



*Lees de gebruiksaanwijzing.*



*Duidt op het risico van lichamelijk letsel, overlijden en/of beschadiging van de verwarming, als de instructies in deze gebruiksaanwijzing niet in acht worden genomen.*



*Risico op een elektrische schok.*



*Voorzichtig, heet oppervlak!*



*Dek het toestel niet af.*



*Aardingssymbool. Deze machine is geclassificeerd als beschermingsklasse I en moet op een geaard stopcontact worden aangesloten.*



*Het product voldoet aan de geldende veiligheidsnormen in de Europese richtlijnen.*

### **ALGEMENE VEILIGHEIDSWAARSCHUWINGEN LEES DEZE INSTRUCTIES AANDACHTIG DOOR EN BEWAAR ZE ZODAT U ZE LATER OOK NOG KUNT RAADPLEGEN,**

**De fabrikant kan niet aansprakelijk worden gesteld voor schade die wordt veroorzaakt door het niet in acht nemen van deze instructies.**

Dit apparaat mag worden gebruikt door kinderen vanaf 8 jaar en door personen met verminderde lichamelijke, zintuiglijke of geestelijke vermogens, of met een gebrek aan ervaring en kennis, mits zij onder toezicht staan of geïnstrueerd zijn betreffende het veilig gebruik van het apparaat en

de daaraan verbonden risico's begrijpen. Kinderen mogen niet met het apparaat spelen. Zonder toezicht mogen reiniging en onderhoud niet door kinderen worden uitgevoerd.

Kinderen jonger dan 3 jaar moeten uit de buurt worden gehouden, tenzij zij onder voortdurend toezicht staan. Kinderen vanaf de leeftijd van 3 jaar, maar jonger dan 8 jaar mogen het apparaat alleen in- en uitschakelen, mits het apparaat is geplaatst of geïnstalleerd op een locatie die bedoeld is als de normale positie waarin het apparaat wordt gebruikt en zij onder toezicht staan of instructies hebben gekregen over het veilige gebruik van het apparaat en de gevaren ervan hebben begrepen. Kinderen vanaf de leeftijd van 3 jaar, maar jonger dan 8 jaar mogen de stekker van het apparaat niet in het stopcontact steken, het apparaat niet instellen noch reinigen, noch onderhoud van het apparaat uitvoeren.

**VOORZICHTIG - Sommige delen van dit product kunnen erg heet worden en brandwonden veroorzaken. Er moet speciale aandacht worden besteed aan kinderen en kwetsbare personen.**

### **BELANGRIJKE VEILIGHEIDSINSTRUCTIES**

**LEES AANDACHTIG DOOR** - De infrarood kachel is ontworpen voor veilig gebruik. Toch kan installatie, onderhoud en gebruik van de verwarming gevaarlijk zijn. Wanneer u de volgende procedures in acht neemt zal dat het risico op brand, elektrische schok, persoonlijk letsel verminderen en de installatietijd tot een minimum beperken. Bewaar deze instructies zodat u ze later ook nog kunt raadplegen.

- Lees alle instructies voordat u deze verwarming gaat gebruiken.
- Haal het toestel uit de verpakking en controleer voordat u het gaat gebruiken, of het toestel in goede staat is.
- Laat kinderen niet spelen met delen van de verpakking (zoals plastic zakken).
- Controleer de spanning van de stroomvoorziening in uw huis, zodat u zeker weet dat die overeenkomt met de nominale specificatie van de verwarming.
- Controleer het netsnoer en de stekker goed voor u ze gebruikt, zodat u zeker weet dat ze niet beschadigd zijn.

- U moet, voordat u de stekker uit het stopcontact trekt, het toestel uitschakelen. Let erop, wanneer u het toestel inschakelt, dat uw handen droog zijn zodat een elektrische schok wordt voorkomen.
- Gebruik de terrasverwarming alleen buiten of in een grote open ruimte. Houd alle brandbare voorwerpen zoals dekkleden, parasols, takken, meubilair, gordijnen, papier, enz. weg bij het apparaat (ten minste 1 meter, ook als het niet-stationaire voorwerpen zijn!). De afstand tot muren moet ten minste 1 meter zijn. De kop moet zich ten minste 180 cm boven de grond bevinden. Plaatst u het toestel onder een dak, dan moet er een ruimte zijn van ten minste 50 cm tussen de kap van de terrasverwarming en het (niet-brandbare) plafond. Met een brandbaar dak (hout, kunststof, doek, enz.) moet de afstand ten minste 1 meter zijn. Zorg altijd voor goede ventilatie!
- Plaats het toestel niet vlak boven of onder een wandstopcontact (niet in de onmiddellijke nabijheid).
- De terrasverwarming is uitsluitend bedoeld voor huishoudelijk gebruik. U mag het toestel daarom niet gebruiken op bouwlocaties, in kassen, schuren of stallen, enz., zelfs niet als zij grotendeels open zijn. Er is daar meestal teveel brandbaar materiaal.
- Gebruik de terrasverwarming niet als verwarming in een sauna of als een permanente verwarming in een ruimte of vertrek.
- Gebruik de terrasverwarming niet in een kennel of een op andere locatie waar dieren aanwezig zijn.
- Gebruik het toestel niet in de onmiddellijke nabijheid van een bad of zwembad of enige andere vloeistof. Het toestel is wel spatwaterbestendig, maar u moet voorzichtig zijn met water. Zorg ervoor dat het toestel niet in het water kan vallen en stel het niet bloot aan krachtige waterstralen. Raak het niet aan met natte handen en plaats het toestel niet in de ruimte in de directe nabijheid van een bad, badkamer, zwembad of een andere watervoorziening, omdat dit gevaarlijk is.
- Bescherm uzelf tegen een elektrische schok, dompel het snoer of de stekken niet onder in water of een andere vloeistof.
- Steek geen vreemde voorwerpen in een ventilatieopening of uitlaatopening en laat geen voorwerpen in het toestel komen, omdat dit een elektrische schok, brand of beschadiging van de verwarming kan veroorzaken.
- Zorg voor voldoende verlichting. De schakelaars van het toestel moeten vanaf een afstand van 1 meter goed zichtbaar zijn.
- Trekt altijd de stekker van de verwarming uit het stopcontact, wanneer u het toestel niet gebruikt. Laat het toestel nooit onbeheerd achter terwijl het in gebruik is, maar schakel het uit en trek de stekker uit het stopcontact. Gebruik het toestel niet met een tijd klok of een ander toestel dat de verwarming automatisch inschakelt.
- Gebruikte verwarming niet met een externe spanningsregelaar zoals een dimmer, snelheidsregelaar, enz. Hierdoor ontstaat een elektrisch risico.
- Controleer of het snoer niet over (scherpe) randen hangt, of er geen knikken inzitten, of het niet in contact komt met hete oppervlakken. Wind het snoer niet rond het toestel.
- Laat het snoer niet over een werkblad hangen waar kinderen er gemakkelijk aan kunnen trekken.
- Steek geen vingers of vreemde voorwerpen in het rooster, terwijl het toestel aanstaat.
- Laat het apparaat niet onbeheerd achter wanneer het in gebruik is.
- De verwarming is niet bedoeld voor gebruik in badkamers, wasruimtes of dergelijke locaties binnenshuis, plaats de verwarming nooit op een plaats waar het toestel in een badkuip of in een andere waterbak kan vallen.
- Geen aansprakelijkheid kan worden aanvaard voor schade die wordt veroorzaakt door het niet naleven van deze instructies of door ander niet passend gebruik of verkeerde behandeling.
- Dit apparaat mag worden gebruikt door kinderen vanaf 8 jaar en door personen met verminderde lichamelijke, zintuiglijke of geestelijke vermogens, of met een gebrek aan ervaring en kennis, mits zij onder toezicht staan of geïnstrueerd zijn betreffende het veilig gebruik van het apparaat en de daaraan verbonden risico's begrijpen. Kinderen mogen niet met het apparaat spelen. Zonder toezicht mogen reiniging en onderhoud niet door kinderen worden uitgevoerd.
- Als het toestel om welke reden dan ook scheuren of breuken laat zien, of als u een

beschadiging of onderbreking van de aluminium behuizing of een ander onderdeel vaststelt, schakel het toestel dan onmiddellijk uit en trek de stekker uit het stopcontact.

- IAls het netsnoer op welke manier dan ook beschadigd is, moet het worden vervangen door de fabrikant of servicemedewerkers of andere gekwalificeerde personen, zodat risico's worden voorkomen.
- Voor oververhitting van dit apparaat dienen de luchtinlaten en -uitlaten schoon gehouden te worden en vrij van alles wat de openingen zou kunnen blokkeren. Controleer van tijd tot tijd alle inlaten en uitlaten, zodat u zeker weet dat er zich geen vuil of stof in heeft verzameld. DEK HET TOESTEL NIET AF. Het waarschuwinglabel met de tekst dat het toestel niet mag worden afgedekt, moet ook na de installatie op een duidelijk zichtbare plaats aanwezig zijn: het mag niet op de achterzijde zitten.
- Delen van de verwarming kunnen warmer worden dan 200 °C, contact met de verwarmingsbuis, reflector of metalen delen dicht bij de verwarmingsbuis, kan ernstige BRANDWONDEN veroorzaken. Voorkom brandwonden, let erop dat u het hete oppervlak niet met de blote huid aanraakt.
- Plaats NOOIT uw handen onder de verwarmingselementen. Laat het verwarmingselement ALTIJD 10 minuten afkoelen, voordat u de verwarmingsbuis of delen dicht daarbij aanraakt.
- Brandbare vloeistoffen of materialen, zoals verf, petroleum, brandstoffanks, enz. niet in de onmiddellijke nabijheid van het toestel opbergen. Gebruik het toestel niet in een brandbare atmosfeer, zoals in de buurt van brandbare gastanks, gasbuizen of spuitbussen. Gevaar voor explosie en brand!
- Dit product bevat materialen die gerecycled kunnen worden. Gooi dit product niet weg als ongesorteerd huishoudelijk afval. Neem contact op met de plaatselijke autoriteiten voor het dichtstbijzijnde inzamelpunt.
- Plaats het toestel met een minimale afstand van:
  - 50 cm van een niet-brandbaar plafond of dak;
  - 100 cm van een brandbaar plafond of dak;
  - 50 cm van de zijmuren

### Elektrische veiligheid



*Controleer altijd of de stroomvoorziening overeenkomt met de spanning die wordt vermeld op het typeplaatje.*

- Gebruik het apparaat niet als het snoer van het apparaat of het verlengsnoer is beschadigd.
- Gebruik alleen verlengkabels die geschikt zijn voor het vermogen van het apparaat met een minimale dikte van 1,5 mm<sup>2</sup>. Als u een verlengkabel op een katrol gebruikt, dient deze te allen tijde volledig afgerold te zijn.

## 2. INFORMATIE OVER DE MACHINE

### Bedoeld gebruik

Dit product is ontworpen als terrasverwarming voor huishoudelijke omgevingen. De verwarming is bedoeld voor particulieren tuinen of andere daarbij behorende buitenverblijven. De verwarming mag niet worden gebruikt om een ruimte binnenshuis te verwarmen, noch mag de verwarming worden gebruikt als niet-huishoudelijke ruimteverwarming, of voor het drogen van textiel of ander materiaal. Deze verwarming is niet voorzien van een apparaat om de kamertemperatuur te regelen, dus gebruik deze verwarming niet in ruimtes waarin personen aanwezig zijn die niet op eigen kracht de ruimte kunnen verlaten, tenzij voortdurend toezicht aanwezig is. De standaard mag alleen worden gebruikt voor het voorgeschreven doel. Alle andere toepassingen worden geacht onjuist gebruik te zijn.

### TECHNISCHE SPECIFICATIES

Modelnr.	PH513AC
Spanning	220-240 V ~
Frequentie	50 Hz
Vermogen	2000 W
Vermogensinstellingen	1: 800 W 2: 1200 W 3: 2000 W
Hoogte	225 cm
Basisplaat - diameter	Ø 47cm
Verwarmingselement - type	Halogeen
Verwarmingstijd	3-5 seconde
Verwarmingsafstand	3 m

Te verwarmen ruimte	9 m <sup>2</sup>
Kleurtemperatuur	3000-3500K
Veiligheidsschakelaar	Ja
Beschermingsgraad tegen het binnendringen van stof of vloeistoffen	IPX4
Beschermingsgraad	Klasse I
Gewicht	14,1 kg

## BESCHRIJVING

De nummers in deze tekst verwijzen naar de diagrammen op pagina 2-5.

1. Verwarming
2. Beschermend rooster
3. Aan/uit-schakelaar
4. Bovenste buis
5. Middelste buis
6. Onderste buis
7. Beschermkap
8. Voeten
9. Basisplaat
10. Links - Aan/Uit-schakelaar
11. Rechts - Aan/Uit-schakelaar
12. Voedingskabel
13. Kabelaanluitdoos
14. Kabelhouder
15. Basisplaat - beugel
16. Bout
17. Moer
18. Lange schroef
19. Korte schroef
20. Keilbout

## 3. MONTAGE



*Deze verwarming moet worden geïnstalleerd door een vakbekwaam persoon, d.w.z. een bevoegd elektricien.*



*Voorafgaand aan de installatie dient de verwarming altijd losgekoppeld te worden van de stroomvoorziening en eerst af te koelen.*

### De verwarming samenstellen (Afb. B-G)



*Monteer het toestel altijd met de bijgeleverde accessoires.*

Houd, voordat u het apparaat begint samen te stellen, rekening met het volgende:

- Plaats het apparaat op een stevige en vlakke ondergrond. Het apparaat mag nooit onder een hoek geplaatst worden!
- Het apparaat moet een manier worden geplaatst zodat er 100 cm vrije ruimte is tussen de verwarming en een voorwerp of muur, gemeten van de voor- of zijkant. De afstand tussen de grond en de onderkant van het apparaat moet minstens 1,80 m zijn. Er moet minstens 30 cm vrije ruimte tussen het apparaat en het plafond zijn.
- Installeer de verwarming niet op of in de buurt van een brandbaar oppervlak.
- Als de verwarming buiten gebruikt gaat worden, wordt een weersbestendig stopcontact sterk aanbevolen.
- Controleer voordat u gaat boren of er geen kabels of waterleidingen liggen in het gebied waar de verwarming moet worden geïnstalleerd.

1. Begin met het monteren van de onderste buis (6) op de basisplaat (9). Zet de bout (16) en moer (17) vast zoals wordt weergegeven op afbeelding B.
2. Schuif de beschermkap (7) op de onderste buis (6) zoals wordt weergegeven op afbeelding B. Dit zal de bouten (16) verbergen.
3. Plaats de samenstelling en de zijkant en steek de voedingskabel (12) door het midden van de basisplaat (9) en door de onderste buis (6), zoals weergegeven op afbeelding C.
4. Neem de middelste buis (5) en steek de voedingskabel ook door deze buis. Blijf de middelste buis (5) vasthouden en voer de volgende stap uit.
5. Schroef vervolgens de middelste buis (5) op de laagste buis (6) door deze naar recht te draaien, totdat het goed vastzit. Zie afbeelding C.
6. Neem de bovenste buis (4) en steek de voedingskabel ook door deze buis. Blijf de bovenste (4) vasthouden en voer de volgende stap uit.
7. Schroef vervolgens de bovenste buis (4) op de middelste buis (5) door deze naar recht te draaien, totdat het goed vastzit. Zie afbeelding D.
8. Zet de samengestelde basisplaat (9) en buizen recht op.
9. Neem nu de verwarming (1) en sluit deze aan op de voedingskabel (12), zoals weergegeven op afbeelding E.

10. Plaats de kabelaanluitdoos (13) op de kabelaansluitingen en vouw deze, zodat het gesloten is, zie afbeelding E. Hierdoor worden de kabelaansluitingen a.h.w. verzegeld, zodat wordt voorkomen dat zij losraken.
11. Schuif het uitstekende gedeelte van de verwarming (1) met de op de juiste manier aangesloten kabelsamenstelling op de bovenste buis (4), zoals weergegeven op afbeelding F.
12. Zorg ervoor dat de twee gaten in de verwarming (1) uitgelijnd zijn met de gaten in de bovenste buis (4).
13. Zet nu de verwarming (1) stevig op zijn plaats door de lange schroeven (18) in de gaten van de bovenste buis (4) vast te draaien, waarmee de verwarming wordt vastgezet.
14. Bevestig de voedingskabel (12) aan de basisplaat (9). Gebruik hiervoor een kabelhouder (14) en de twee korte schroeven (19). Zie afbeelding G.

#### Het bevestigen van de basis van de verwarming (Afb. H)

Het wordt ten sterkste aanbevolen om de verwarming aan het grondoppervlak te bevestigen, door hiervoor gebruik te maken van de specifiek ontwikkelde basisplaat-beugels (15). Deze beugels voorkomen dat de verwarming omvalt, met name als de verwarming ergens in de buitenlucht wordt gebruikt waar veelvuldig sprake is van wind. Om de basisplaat-beugels te monteren, gaat u als volgt te werk:

1. Pak de basisplaat-beugels (15) op en positioneer ze gelijkmatig verdeeld over de basisplaat (9).
2. Markeer vervolgens via de gaten van de basisplaat-beugels (15) de locatie voor de boorgaten op het grondoppervlak.
3. Verwijder de basisplaat-beugels en boor gaten op de gemarkeerde posities. Gebruik een boorbitje met een diameter die overeenkomt met de gebruikte keilbouten (20). Boor gaten die ca. 10 tot 15 mm dieper zijn dan de verwachte insteekdiepte. Controleer of de gaten waterpas zijn en op exact dezelfde hoogte.
4. Verwijder enige verontreinigingen uit de boorgaten en plaats de basisplaat-beugels (15) in de juiste positie.
5. Positioneer de moer gelijk met de bovenzijde van de keilbout (20).
6. Steek de keilbout (20) in het gat in de vloer.

Gebruik een hamer, steek de keilbout zo ver in dat de sluitring en moer strak tegen de vloer zijn bevestigd.

7. Zet nu de basisplaat-beugel (15) op de keilbout (11) en monteer de beugel met de sluitring en de moer. Draai de moer handvast.
8. Gebruik een steeksleutel om het anker vast te zetten, door de moer drie of vier hele slagen vast te draaien.
9. Monteer daarna de 2 resterende basisplaat-beugels (15).

## 4. WERKING



**WAARSCHUWING.** Controleer voorafgaand aan elk gebruik van het apparaat of uw handen droog zijn, het apparaat schoon is, het apparaat niet is beschadigd, het apparaat op de juiste manier werd samengesteld en op veilige wijze op de vloer werd bevestigd.

#### Aan- en uitschakelen en het vermogen regelen (Afb. A)

De verwarming kan met de Aan/Uit-schakelaar (3) in- en uitgeschakeld worden. De verwarming is voorzien van twee schakelaars, niet alleen om het toestel in- en uit te schakelen, maar ook om het vermogen van de drie beschikbare standen te regelen:

- Links - Aan/Uit-schakelaar (10) ingeschakeld (I), rechts - Aan/Uit-schakelaar (11) uitgeschakeld (O): Niveau 1 - 800W
- Links - Aan/Uit-schakelaar (10) uitgeschakeld (O), rechts - Aan/Uit-schakelaar (11) ingeschakeld (I): Niveau 2 - 1200W
- Links - Aan/Uit-schakelaar (10) ingeschakeld (I), rechts - Aan/Uit-schakelaar (11) uitgeschakeld (O): Niveau 3 - 2000W

#### Veiligheidsschakelaar (Afb. A)

Deze verwarming is voorzien van een veiligheidsschakelaar. Als de verwarming omvalt, zal de verwarming automatisch uitschakelen.

Merk op dat als de verwarming weer rechtop wordt gepositioneerd, de verwarming niet direct zal starten met het verwarmen. Eerst dient de verwarming uitgeschakeld te worden (lees 'aan-/uitschakelen'), dient de stekker uit het stopcontact genomen te worden en dient de verwarming op

beschadigingen gecontroleerd te worden. In geval van beschadigingen of storingen, de verwarming niet gebruiken, maar het apparaat voor controle/ reparatie aanbieden. Als er geen sprake is van beschadigingen, kunt u de verwarming gewoon weer inschakelen (lees 'aan-/uitschakelen').

## 5. ONDERHOUD



*Controleer altijd of het toestel niet op de stroomvoorziening is aangesloten wanneer u enig onderhoud aan het mechanisme uitvoert.*



*VOORZICHTIG:: Risico op een elektrische schok. Maak de verwarming NIET open en probeer NIET zelf de verwarming te repareren.*

Maak de behuizing van het apparaat regelmatig schoon met een zachte doek, bij voorkeur na ieder gebruik. Controleer of de ventilatie-openingen vrij zijn van stof en vuil. Verwijder hardnekkig vuil met een zachte doek vochtig gemaakt met een zeepoplossing. Gebruik geen oplosmiddelen zoals benzine, alcohol, ammoniak, enzovoorts. Chemicaliën zoals deze kunnen de synthetische componenten beschadigen.

- GEBRUIK GEEN alcohol, benzine, schuurpoeders, meubelwas of ruwe borstels voor het reinigen van de verwarming. Dit kan beschadiging en aantasting van het oppervlak van de verwarming tot gevolg hebben.
- Dompel de verwarming NIET onder in water.
- Gebruik de verwarming pas weer deze geheel droog is.

### LET OP:

- Koppel de verwarming altijd los van de stroomvoorziening en laat het eerst af te koelen, voordat u de verwarming reinigt.
- Als in het toestel of rond het verwarmingselement stof of vuil aanwezig is, dient u het toestel door een gekwalificeerde servicemonteur te laten reinigen. Schakel de verwarming niet wanneer het toestel in deze staat is.
- Het enige onderhoud dat de verwarming vraagt is het schoonmaken van de oppervlakken aan de buitenzijde.

- Raak het verwarmingselement niet met blote vingers aan, omdat de op uw handen aanwezige substanties de levensduur van de lamp kunnen bekorten. Heeft u het element per ongeluk aangeraakt, verwijder dan de vingerafdrukken met een zachte doek die u vochtig heeft gemaakt met spiritus of alcohol.
- Probeer niet elektrische of mechanische functies op deze verwarming te repareren of af te stellen.
- De verwarming bevat geen onderdelen waaraan de gebruiker onderhoud kan uitvoeren. Als dit product beschadigd raakt of niet meer werkt, moet het worden teruggestuurd naar de fabrikant of zijn servicemonteur.
- Als het netsnoer beschadigd is, moet het worden vervangen door de fabrikant, een servicemonteur of iemand met een dergelijke kwalificatie, zodat risico's worden voorkomen.

### Opslag

Berg de verwarming op in een koele, droge opslagruimte, wanneer u het toestel niet gebruikt. Op deze manier wordt het vormen van stof en vervuiling op de verwarming voorkomen. Gebruik de verpakking voor opslagdoeleinden.

### Oplossen van problemen

Als de verwarming niet werkt, controleer dan het volgende voordat u een verzoek indient voor reparatie of service:

- Controleer of de stekker van het netsnoer wel in het stopcontact is gestoken, als dat niet het geval is, steekt u de stekker in het stopcontact.
- Controleer of er spanning op het stopcontact staat.
- Controleer dat de Aan/Uit-schakelaar in de juiste stand staat, is dat niet het geval, selecteert u een stand of niveau.

### MILIEU



*Niet goed functionerende en/of afgedankte elektrische of elektronische apparaten moeten bij de juiste inzamelpunten voor recycling worden aangeboden.*

### Alleen voor landen in de EG

Gooi geen elektrisch gereedschap bij het huisvuil. Volgens de Europese richtlijnen 2012/19/EC betreffende afgedankte Elektrische en

Elektronische apparatuur en de implementatie hiervan in nationaal recht, moeten elektrische gereedschappen die niet langer gebruikt worden apart ingezameld en weggegooid worden op een milieuvriendelijk manier.

## GARANTIE

Producten van VONROC worden op basis van de hoogste kwaliteitsnormen ontwikkeld en zijn gegarandeerd vrij van defecten, zowel voor wat betreft het materiaal als de afwerking, gedurende de door de wet bepaalde periode, startend vanaf de datum van de originele aankoop. Mocht het product gedurende deze periode enige storingen vertonen als gevolg van gebrekking materiaal en/of gebrekkige afwerking, dient direct contact met VONROC opgenomen te worden.

De volgende omstandigheden zijn uitgesloten van de garantie:

- Reparatie en/of wijzigingen die door en niet erkend servicecentrum aan de machine werd/ werden aangebracht of waartoe een poging werd ondernomen;
- Normale slijtage;
- Het gereedschap werd misbruikt, verkeerd werd gebruikt en/of onjuist werd onderhouden;
- Niet-originele reserveonderdelen werden gebruikt.

Dit betreft de enige garantie die door de organisatie, impliciet of expliciet, wordt aangeboden. Geen andere garanties, impliciet noch expliciet, die verder strekken dan deze garantie, inclusief de impliciete garanties inzake de verkoopbaarheid en geschiktheid voor een specifiek doel. In geen geval zal VONROC aansprakelijk zijn voor incidentele schade of gevolgschade. De oplossingen van de dealers zullen beperkt zijn tot de reparatie of het vervangen van niet-conforme eenheden of onderdelen.

**Het product en de gebruiksaanwijzing kunnen worden gewijzigd. Specificaties kunnen zonder voorafgaande kennisgeving worden gewijzigd.**

## 1. CONSIGNES DE SÉCURITÉ

Veillez à bien lire les avertissements de sécurité, les avertissements supplémentaires de sécurité ainsi que toutes les instructions jointes. Le non-respect des avertissements de sécurité et des consignes peut entraîner des décharges électriques, des incendies et/ou de graves blessures. Conservez tous les avertissements et toutes les instructions liées à la sécurité afin de pouvoir vous y référer dans le futur.

Les symboles qui suivent sont utilisés dans la notice d'utilisation ou sur le produit :



*Lisez la notice d'utilisation.*



*Indique un risque de blessure, de décès ou de détérioration de l'appareil de chauffage en cas de non-respect des consignes de ce manuel.*



*Risque de décharge électrique.*



*Attention : Surface chaude !*



*Ne couvrez pas l'appareil.*



*Symbole de terre. La protection de cet équipement est de classe I. Il doit être branché dans une prise de courant reliée à la terre.*



*Le produit est conforme aux normes de sécurité en vigueur des directives européennes.*

### CONSIGNES DE SÉCURITÉ GÉNÉRALES CES INSTRUCTIONS DOIVENT ÊTRE LUES AVEC ATTENTION ET CONSERVÉES POUR POUVOIR S'Y RÉFÉRER ULTÉRIEUREMENT,

**Le fabricant ne saurait être tenu responsable pour un quelconque dommage consécutif au non-respect de ces instructions.**

Cet appareil peut être utilisé par des enfants âgés de 8 ans et plus et par des personnes aux capacités physiques, sensorielles ou intellectuelles réduites, ou qui manquent d'expérience et de connaissance, à condition qu'ils soient supervisés ou qu'ils aient été formés sur la façon sûre



d'utiliser l'appareil et qu'ils comprennent les risques encourus. Les enfants ne doivent pas jouer avec l'appareil. Le nettoyage et les opérations de maintenance à réaliser par l'utilisateur ne doivent pas être exécutés par des enfants sans surveillance.

Les enfants de moins de 3 ans doivent être gardés à l'écart, à moins d'être surveillés en permanence. Les enfants entre 3 et 8 ans ne peuvent allumer ou éteindre l'appareil, qu'à condition que ce dernier soit positionné ou installé dans sa position de service normale et que les enfants soient surveillés ou qu'ils aient appris comment utiliser l'appareil en toute sécurité et qu'ils aient compris les risques possibles. Les enfants entre 3 et 8 ans n'ont pas le droit de brancher, de régler et de nettoyer l'appareil ou d'en réaliser la maintenance.

**ATTENTION - Certaines pièces de ce produit peuvent devenir très chaudes et provoquer des brûlures. Soyez particulièrement vigilant si des enfants ou d'autres personnes vulnérables sont présentes.**

### CONSIGNES DE SÉCURITÉ IMPORTANTES

À LIRE AVEC ATTENTION - L'appareil de chauffage à infrarouge a été conçu pour fonctionner en toute sécurité. Cependant, l'installation, la maintenance et l'utilisation de l'appareil de chauffage peuvent être dangereuses. Le respect des procédures qui suivent permet de réduire le risque d'incendie, de décharge électrique, de blessure et il permet de réduire la durée de l'installation à son minimum. Veuillez à bien conserver ces consignes pour pouvoir vous y référer dans le futur.

- Avant de débrancher le cordon électrique, veillez à éteindre l'appareil et avant de mettre l'appareil en marche, veillez à ce que vos mains soient sèches, afin d'éviter toute décharge électrique.
- Veillez à n'utiliser le chauffage de terrasse qu'à l'extérieur ou dans un lieu spacieux et ouvert. Veillez à éloigner tous les objets inflammables comme les barnums, les bâches, les parasols, les branches, les meubles, les rideaux, le papier, etc. de l'appareil de chauffage (à au moins 1 mètre, même si ce ne sont pas des objets fixes !). La distance avec les murs ne doit pas être inférieure à 1 mètre. La tête doit se trouver à au moins 180 cm au-dessus du sol. Si vous placez l'appareil sous un toit, un espace d'au moins 50 cm doit séparer le chapeau du chauffage de terrasse et le plafond (matériau non-inflammable). Si le toit est en matériau inflammable (bois, plastique, bâche, etc.) la distance doit au moins être égale à 1 mètre. Veillez à toujours disposer d'une bonne ventilation !
- Ne positionnez pas l'appareil sur ou sous une prise murale (et jamais à proximité immédiate).
- Le chauffage de terrasse n'a été conçu que pour un usage domestique. Vous ne devez donc pas l'utiliser sur des chantiers de construction, dans des serres, des granges ou des écuries, etc., même si ces endroits sont largement découverts. Ces endroits renferment trop de matières inflammables.
- N'utilisez pas ce chauffage de terrasse comme moyen de chauffage dans des saunas ou comme chauffage permanent.
- N'utilisez pas ce chauffage de terrasse dans un chenil ou dans tout autre endroit accueillant des animaux.
- Ne l'utilisez pas à proximité d'une baignoire, d'une piscine ou de tout autre point d'eau. Bien que l'appareil soit protégé contre les éclaboussures, vous devez rester vigilant avec l'eau. Veillez à ce qu'il ne tombe pas dans l'eau et ne l'exposez pas à de puissants jets d'eau. Ne touchez pas l'appareil avec les mains mouillées et ne l'installez pas à proximité immédiate d'une baignoire, de sanitaires, d'une piscine ou de tout autre point d'eau car cela représente un risque.
- Afin de vous protéger d'une décharge électrique, n'immergez pas le cordon électrique ou la prise dans l'eau, ni dans aucun autre liquide.
- Veillez à lire toutes les consignes avant d'utiliser cet appareil de chauffage.
- Sortez l'équipement de son emballage et contrôlez qu'il est en bon état avant de l'utiliser.
- Ne laissez pas les enfants jouer avec les morceaux d'emballage (les sacs en plastique par exemple).
- Vérifiez la tension électrique de votre habitation afin de confirmer qu'elle correspond à la tension nominale de l'appareil de chauffage mentionnée.
- Contrôlez soigneusement le cordon électrique et la prise avant l'utilisation, afin de garantir qu'ils sont en bon état.

- N'insérez et ne laissez pénétrer aucuns corps étrangers dans les ouvertures de ventilation et d'échappement car cela pourrait occasionner une décharge électrique ou un incendie et endommager l'appareil de chauffage.
- Veillez à ce que l'éclairage soit suffisant. Les interrupteurs de l'appareil doivent rester visibles à une distance de 1 mètre.
- Veillez à toujours débrancher l'appareil de chauffage lorsqu'il n'est pas utilisé. Ne laissez jamais l'appareil sans surveillance lorsqu'il est en marche. Veillez à l'éteindre et le débrancher. N'utilisez pas de programmeur, de minuteur ou tout autre dispositif de mise en marche automatique avec l'appareil.
- N'utilisez pas de régulateur de tension externe, comme un variateur ou un régulateur de vitesse, etc. avec l'appareil. Cela pourrait créer un risque électrique.
- Veillez à ne pas faire pendre le cordon sur des bords (tranchants), à ne pas trop le plier et à ne pas le faire reposer sur des surfaces chaudes. N'enroulez pas le cordon autour de l'appareil.
- Ne laissez pas le cordon pendre d'une table afin que les enfants ne puissent pas tirer dessus.
- Veillez à ne pas mettre les doigts et à ne rien insérer dans la grille quand l'appareil est en marche.
- Ne laissez pas l'appareil sans surveillance lorsqu'il est en marche.
- Cet appareil de chauffage n'a pas été conçu pour être utilisé dans des salles de bains, des buanderies ou tout autre endroit similaire. N'installez jamais l'appareil de chauffage dans un endroit d'où il pourrait tomber, soit dans une baignoire, soit dans un autre contenant rempli d'eau.
- Aucune responsabilité ne saurait être acceptée pour un quelconque dommage consécutif au non-respect de ces consignes ou à une quelle qu'autre utilisation ou manipulation incorrectes.
- Cet appareil peut être utilisé par des enfants âgés de 8 ans et plus et par des personnes aux capacités physiques, sensorielles ou intellectuelles réduites, ou qui manquent d'expérience et de connaissance, à condition qu'ils soient supervisés ou qu'ils aient été formés sur la façon sûre d'utiliser l'appareil et qu'ils comprennent les risques encourus. Les enfants ne doivent pas jouer avec l'appareil. Le nettoyage et les opérations de maintenance à réaliser par l'utilisateur ne doivent pas être exécutés par des enfants sans surveillance.
- Si, pour une quelconque raison, l'appareil se fissure ou se casse ou si vous détectez une quelconque imperfection ou un quelconque manque d'intégrité sur le boîtier en aluminium, éteignez immédiatement l'appareil et débranchez la prise électrique.
- Si le cordon électrique est endommagé d'une quelconque façon, il doit être remplacé par le fabricant ou l'un de ses prestataires de services ou par une personne de même qualification, afin d'éviter tout risque.
- Afin d'éviter toute surchauffe de cet appareil, gardez les arrivées et les sorties d'air propres et exemptes de tout ce qui pourrait les obturer. Contrôlez de temps en temps les arrivées et les sorties d'air afin de vérifier l'absence d'accumulation de saletés ou de poussière. NE PAS COUVRIR. Cette étiquette d'avertissement indiquant de ne pas couvrir l'appareil doit également être apposée à un endroit bien visible après l'installation. Elle ne doit pas se retrouver derrière l'appareil.
- Certaines pièces de l'appareil de chauffage peuvent dépasser 200°C. Tout contact avec le tube chauffant, le réflecteur ou les pièces métalliques près du tube chauffant peuvent occasionner de graves BRÛLURES. Afin d'éviter les brûlures, ne touchez pas les surfaces chaudes à main nue.
- Ne placez JAMAIS vos mains sous les éléments chauffants. Veillez à TOUJOURS laisser l'élément chauffant refroidir au moins 10 minutes avant de toucher le tube chauffant ou les pièces à proximité.
- Veillez à ne jamais ranger de liquides ou de substances inflammables comme de la peinture, de l'essence, des bonbonnes de gaz, etc. à proximité immédiate de l'appareil. N'utilisez pas l'appareil dans des environnements inflammables, près de bombonnes de gaz, de canalisations de gaz ou de bombes aérosols par exemple. Risque d'explosion et d'incendie !
- Ce produit est composé de matières recyclables. Ne jetez pas ce produit avec les déchets ménagers non triés. Contactez vos autorités locales pour savoir où se trouve le centre de collecte le plus proche.

- Positionnez l'appareil à une distance minimum de :
  - 50 cm des toits et plafonds non inflammables ;
  - 100 cm des toits et plafonds inflammables ;
  - 50 cm des murs latéraux

**Sécurité électrique**



*Contrôlez toujours que la tension de l'alimentation électrique correspond à la tension mentionnée sur la plaque signalétique.*

- N'utilisez pas l'appareil si son cordon ou la rallonge électrique sont endommagés.
- N'utilisez que des rallonges appropriées, adaptées à la puissance nominale de l'appareil et de 1,5 mm<sup>2</sup> de section minimum. Si vous utilisez une rallonge sur un enrouleur, veillez à complètement dérouler le câble.

**2. INFORMATIONS SUR LA MACHINE**

**Utilisation prévue**

Ce produit est un chauffage de terrasse domestique. L'appareil de chauffage est destiné à servir dans les jardins et les autres zones extérieures des particuliers. Cet appareil de chauffage ne peut pas être utilisé pour chauffer des espaces à l'intérieur, à l'extérieur dans un espace non privé ou pour sécher des textiles ou d'autres matières. Cet appareil de chauffage n'a pas de dispositif permettant de contrôler la température d'une pièce, vous ne devez donc pas l'utiliser dans des espaces occupés par des personnes incapables de quitter seules l'endroit où il est utilisé, à moins qu'elles ne soient surveillées en permanence. L'appareil ne doit être utilisé que pour l'usage auquel il a été destiné. Toute autre utilisation est considérée comme étant une utilisation inappropriée.

**CARACTÉRISTIQUES TECHNIQUES**

<b>N° de modèle</b>	<b>PH513AC</b>
Tension	220-240 V ~
Fréquence	50 Hz
Puissance	2000W

Réglages puissance	1 : 800W 2 : 1200W 3 : 2000W
Hauteur	225cm
Diamètre plaque de fond	Ø 47cm
Type élément chauffant	Halogène
Temps de chauffe	3-5 seconde
Distance de chauffe	3m
Surface chauffée	9m <sup>2</sup>
Température couleur	3000-3500K
Dispositif de sécurité antichute	Oui
Indice de protection	IPX4
Classe de protection	Classe I
Poids	14,1 kg

**PRÉSENTATION**

Les numéros dans le texte renvoient aux diagrammes des pages 2 à 5.

1. Élément chauffant
2. Grille de protection
3. Interrupteur Marche/Arrêt
4. Tube supérieur
5. Tube central
6. Tube inférieur
7. Cache
8. Pieds
9. Plaque de fond
10. Interrupteur Marche/Arrêt gauche
11. Interrupteur Marche/Arrêt droite
12. Câble électrique
13. Boîtier connecteurs
14. Support de câble
15. Support plaque de fond
16. Boulon
17. Écrou
18. Vis longue
19. Vis courte
20. Cheville

**3. ASSEMBLER LA SCIE**



*Cet appareil de chauffage doit être installé par une personne compétente, un électricien qualifié par exemple.*



*Veillez à toujours débrancher l'appareil de chauffage de l'alimentation électrique et à le laisser refroidir avant de l'installer quelque part.*

### **Assembler l'appareil de chauffage (Fig. B-G)**



*Veillez à toujours assembler l'équipement à l'aide des accessoires fournis.*

Avant de commencer l'assemblage, veillez à respecter ce qui suit :

- Positionnez l'équipement sur une surface ferme et de niveau. L'appareil ne doit jamais être incliné !
- L'appareil doit être positionné de sorte qu'il reste un espace vide de 100 cm entre l'avant et le côté de l'appareil et n'importe quel objet ou mur. Il doit rester un espace d'au moins 1,80 m entre le sol et le dessous de l'appareil. Il doit rester un espace d'au moins 30cm entre l'appareil et le plafond.
- Veillez à ne pas installer l'appareil de chauffage sur ou à proximité d'une surface inflammable.
- Si l'appareil de chauffage doit être utilisé à l'extérieur, l'utilisation d'une prise étanche est fortement préconisée.
- Avant de percer, contrôlez qu'il n'y a aucun fil, câble et aucune canalisation d'eau dans la zone où l'appareil de chauffage doit être installé.

1. Commencez par installer le tube inférieur (6) sur la plaque de fond (9). Fixez le boulon (16) et l'écrou (17), comme illustré par la figure B.
2. Glissez le cache (7) sur le tube inférieur (6), comme illustré par la figure B. Il permet de camoufler les boulons (16).
3. Placez l'ensemble sur le côté et guidez le câble électrique (12) à travers le centre de la plaque de fond (9) et à travers le tube inférieur (6), comme illustré par la figure C.
4. Prenez le tube central (5) et guidez le câble électrique à travers également. Gardez le tube central (5) en main et passez à l'étape suivante.
5. Vissez le tube central (5) sur le tube inférieur (6) dans le sens des aiguilles d'une montre jusqu'à ce qu'il soit serré. Consultez la figure C.
6. Prenez le tube supérieur (4) et guidez le câble électrique à travers également. Gardez le tube supérieur (4) en main et passez à l'étape suivante.

7. Vissez le tube supérieur (4) sur le tube central (5) dans le sens des aiguilles d'une montre jusqu'à ce qu'il soit serré. Consultez la figure F.
8. Reposez la plaque de fond (9) et les tubes assemblés à la verticale.
9. Prenez alors l'appareil de chauffage (1) et raccordez-le au câble électrique (12), comme illustré par la figure E.
10. Installez le boîtier pour les connecteurs du câble (13) sur les connecteurs du câble et fermez-le, comme illustré par la figure E. Le boîtier permet de sceller les connecteurs et d'empêcher qu'ils ne se débranchent.
11. Glissez la partie saillante de l'élément chauffant (1) avec le câble correctement raccordé sur le tube supérieur (4), comme illustré par la figure F.
12. Veillez à ce que les deux trous dans la partie saillante de l'élément chauffant (1) soient bien alignés avec les trous dans le tube supérieur (4).
13. Vous devez alors fixer l'élément chauffant (1) en place en vissant les vis longues (18) dans les trous du tube supérieur (4).
14. Fixez le câble électrique (12) sur la plaque de fond (9) à l'aide du support de câble (14) et des deux vis courtes (19). Consultez la figure G.

### **Fixez la base de l'appareil de chauffage (Fig. H)**

Il est fortement conseillé de fixer l'appareil de chauffage au sol à l'aide des supports de la plaque de fond spécialement conçus (15). Ces supports servent à empêcher l'appareil de chauffage de basculer, notamment quand il est à l'extérieur dans des endroits venteux. Pour installer les supports de la plaque de fond :

1. Prenez les supports de la plaque de fond (15) et placez-les autour de la plaque (9) en les espaçant de façon régulière.
2. Marquez alors les trous à percer sur le sol à travers les trous existants dans les supports de la plaque de fond (15).
3. Retirez les supports et percez les trous aux endroits repérés. Utilisez un foret dont la taille correspond aux chevilles (20) utilisées. Percez environ 10 à 15 mm plus profond que l'encastrement prévu. Veillez à ce que les trous soient de niveau et exactement à la même hauteur.
4. Retirez les résidus des trous et positionnez les supports de la plaque de fond (15).
5. Installez l'écrou à fleur par rapport au haut de la cheville (20).

6. Insérez la cheville (20) dans le trou au sol.  
À l'aide d'un marteau, insérez la cheville au maximum dans le sol pour que la rondelle et l'écrou puissent être serrés tout contre le sol.
7. Installez ensuite le support de la plaque de fond (15) sur la cheville (11) et fixez-la avec la rondelle et l'écrou. Serrez l'écrou à la main.
8. Utilisez une clé pour fixer la cheville en tournant l'écrou de trois ou quatre tours complets.
9. Installez les deux supports de plaque de fond (15) restants.

## 4. FONCTIONNEMENT



**AVERTISSEMENT.** Avant chaque utilisation, contrôlez : que vos mains sont sèches avant d'utiliser l'appareil, que l'appareil est propre et sec, que l'appareil n'est pas endommagé, que l'appareil est correctement assemblé et sécurisé au sol.

### Mettre l'appareil en marche, l'éteindre et régler le niveau de puissance (Fig. A)

Il est possible d'allumer et d'éteindre l'appareil de chauffage à l'aide de l'interrupteur Marche/Arrêt (3). L'appareil de chauffage est équipé de deux interrupteurs qui ne servent pas uniquement à allumer et éteindre l'appareil mais également à régler le niveau de puissance sur trois positions :

- Interrupteur Marche/Arrêt gauche (10) sur (I), interrupteur Marche/Arrêt droite (11) sur (O) : Niveau 1 - 800W
- Interrupteur Marche/Arrêt gauche (10) sur (O), interrupteur Marche/Arrêt droite (11) sur (I) : Niveau 2 - 1200W
- Interrupteur Marche/Arrêt gauche (10) sur (I), interrupteur Marche/Arrêt droite (11) sur (I) : Niveau 3 - 2000W

### Dispositif de sécurité antichute (Fig. A)

Cet appareil de chauffage est équipé d'un dispositif de sécurité antichute. Si l'appareil de chauffage chute, il s'éteint immédiatement.

Veillez noter que l'appareil de chauffage ne fonctionne pas de nouveau immédiatement après avoir été ramassé. Vous devez d'abord l'éteindre à l'aide de l'interrupteur (voir «Mettre en marche et éteindre l'appareil»), débrancher la prise de courant et contrôler que l'appareil n'a pas été endommagé. S'il est endommagé ou

s'il ne fonctionne plus correctement, ne l'utilisez plus et faites-le contrôler/réparer. S'il n'est pas endommagé, il vous suffit de le rallumer (voir «Mettre en marche et éteindre l'appareil»).

## 5. MAINTENANCE



Veillez à ce que la machine ne soit pas branchée au réseau électrique si vous devez procéder à la maintenance du mécanisme.



**ATTENTION :** Risque de décharge électrique. Veillez à NE JAMAIS ouvrir l'appareil de chauffage ou tenter de le réparer vous-même.

Nettoyez régulièrement le corps de la machine à l'aide d'un chiffon doux et de préférence après chaque utilisation. Assurez-vous que les fentes d'aération restent exemptes de poussière et de saletés. Supprimez les taches tenaces à l'aide d'un chiffon doux légèrement humidifié avec une solution savonneuse. N'utilisez aucun solvant, essence, alcool, ammoniac, etc. car ces produits chimiques peuvent endommager les composants synthétiques.

- N'utilisez PAS d'alcool, d'essence, de poudre abrasive, de produit de polissage ou de brosse dure pour nettoyer l'appareil de chauffage. Cela pourrait endommager et détériorer la surface de l'appareil de chauffage.
- Ne plongez PAS l'appareil de chauffage dans l'eau.
- Veillez à ce que l'appareil de chauffage soit parfaitement sec avant de l'utiliser.

### ATTENTION :

- Veillez à toujours débrancher l'appareil de chauffage de l'alimentation électrique et à le laisser refroidir avant de le nettoyer.
- Si l'appareil de chauffage a accumulé de la poussière ou des saletés à l'intérieur et autour de l'élément chauffant, il doit être nettoyé par un prestataire de services qualifié. Ne faites pas fonctionner l'appareil de chauffage dans ces conditions.
- La seule maintenance que nécessite l'appareil de chauffage est le nettoyage de ses surfaces extérieures.
- Ne touchez pas l'élément chauffant à mains

nues car cela pourrait affecter la durée de vie de la lampe. Si vous le touchez accidentellement, retirez les traces de doigts à l'aide d'un chiffon doux légèrement humidifié avec un spiritueux ou un alcool mentholé.

- Ne tentez pas de réparer ou de régler le fonctionnement électrique ou mécanique de cet appareil de chauffage.
- L'appareil de chauffage ne contient aucune pièce réparable par l'utilisateur. Si l'appareil subit un dommage ou une panne, il doit être retourné au fabricant ou à son prestataire de service.
- Les cordons d'alimentation endommagés doivent être remplacés par le fabricant ou l'un de ses prestataires de services ou par une personne de même qualification, afin d'éviter tout risque.

### Rangement

Veillez à ranger l'appareil de chauffage dans un endroit frais et sec lorsqu'il n'est pas utilisé, afin d'empêcher toute accumulation de poussière et de saletés. Utilisez le carton d'emballage pour le ranger.

### Dépannage

Si l'appareil de chauffage ne fonctionne plus, contrôlez ce qui suit avant de faire appel à un service de réparation :

- Contrôlez que le cordon électrique est bien branché dans une prise de courant, si ce n'est pas le cas, branchez-le.
- Contrôlez que l'électricité arrive bien au fusible principal.
- Assurez-vous que les interrupteurs sont bien en position Marche, choisissez un niveau de réglage.

## ENVIRONNEMENT



*Les appareils électriques et électroniques défectueux ou en fin de vie doivent être rapportés dans des sites de recyclage appropriés.*

### Pour les pays de la Communauté Européenne uniquement

Ne jetez pas les outils électriques avec les déchets ménagers. Conformément à la Directive Européenne 2012/19/CE relative à l'élimination

des déchets électriques et électroniques et sa transposition dans la législation nationale, les outils électriques inutilisables doivent être collectés séparément et être jetés de façon écologique.

## GARANTIE

Les produits VONROC sont développés avec les normes de qualité les plus hautes et ils sont garantis pour être exempts de défaut de pièces et de main d'œuvre pour la durée stipulée par la loi et à compter de la date d'achat initiale. Si, au cours de cette période, le produit devait rencontrer une quelconque panne due à un défaut de pièce ou de main d'œuvre, contactez VONROC directement.

Les conditions suivantes sont exclues de la garantie :

- Réparations ou modifications sur la machine, faites ou tentées par des réparateurs non agréés ;
- Usure normale ;
- Utilisation abusive ou incorrecte ou maintenance incorrecte de l'appareil ;
- Utilisation de pièces détachées non d'origine.

Ceci constitue l'unique garantie, explicite ou implicite, proposée par la société. Il n'existe aucune autre garantie, explicite ou implicite, qui puisse dépasser le cadre de la présente garantie, y compris les garanties implicites de qualité marchande et d'adaptation à un usage particulier. En aucun cas, VONROC ne saurait être tenu responsable pour les dommages accidentels ou consécutifs. Les recours des revendeurs sont limités à la réparation ou au remplacement des équipements ou des pièces non conformes.

**Le produit et la notice d'utilisation sont sujets à modifications. Les caractéristiques peuvent être modifiées sans notification préalable.**

## 1. INSTRUCCIONES DE SEGURIDAD

Lea las advertencias de seguridad, las advertencias de seguridad adicionales y las instrucciones adjuntas. Si no respeta las advertencias de seguridad y las instrucciones, pueden ocasionarse descargas eléctricas, incendios y/o lesiones graves. Guarde las advertencias de seguridad y las instrucciones para su futura consulta.

En el manual de usuario y en el producto se emplean los siguientes símbolos:



*Lea el manual de usuario.*



*Denota riesgo de lesiones personales, muerte o daños al calefactor en caso de incumplimiento de las instrucciones de la presente manual.*



*Riesgo de descarga eléctrica.*



*¡Cuidado: superficie caliente!*



*No cubra el dispositivo.*



*Símbolo de puesta a tierra. Este aparato está clasificado con clase de protección I y debe conectarse a una toma de corriente con puesta a tierra.*



*El producto es conforme a las normas de seguridad aplicables según las directivas europeas.*

### ADVERTENCIAS DE SEGURIDAD GENERALES ESTAS INSTRUCCIONES DEBEN LEERSE CUIDADOSAMENTE Y CONSERVARSE PARA SU FUTURA CONSULTA.

**El fabricante no se hace responsable de los daños causados por el incumplimiento de estas instrucciones.**

Este aparato puede ser utilizado por niños a partir de 8 años de edad y por personas con capacidades físicas, sensoriales o mentales reducidas o que carezcan de experiencia y conocimientos, si están supervisadas o capacitadas sobre el uso del aparato en modo seguro y si comprenden los peligros que supone el uso. Los niños no deben jugar con el aparato. La limpieza y el

mantenimiento de usuario no deben ser efectuados por niños, sin supervisión.

Los niños menores de 3 años de edad deben mantenerse alejados, salvo que estén continuamente vigilados. Los niños de 3 a 8 años de edad pueden solo encender y apagar el aparato, siempre que este haya sido colocado o instalado en su posición de funcionamiento normal prevista y estén vigilados o se les hayan dado instrucciones sobre el uso del aparato en modo seguro y entiendan los peligros que supone el uso. Los niños de 3 a 8 años de edad no deberán enchufar, ajustar ni limpiar el aparato ni realizar el mantenimiento de usuario.

**CUIDADO — Algunas partes de este producto pueden calentarse mucho y causar quemaduras. Debe prestarse especial atención cuando haya niños y personas vulnerables.**

### INSTRUCCIONES DE SEGURIDAD IMPORTANTES

LEER CUIDADOSAMENTE - El calefactor de infrarrojos ha sido diseñado para un funcionamiento seguro. A pesar de ello, la instalación, el mantenimiento y el funcionamiento del calefactor pueden ser peligrosos. Si se respetan los siguientes procedimientos, se reduce el riesgo de incendio, descarga eléctrica y lesiones personales y se reduce al mínimo el tiempo de instalación. Guarde estas instrucciones para futuras consultas.

- Lea todas las instrucciones antes de usar el calefactor.
- Saque la unidad del embalaje y compruebe que esté en buenas condiciones antes de usarla.
- No deje que los niños jueguen con los elementos del embalaje (como las bolsas de plástico).
- Compruebe el voltaje de la casa para asegurarse de que coincida con la especificación de funcionamiento del calefactor.
- Compruebe atentamente el cable de alimentación y el enchufe antes del uso, para asegurarse de que no estén dañados.
- Antes de desenchufar el cable de alimentación, apague la unidad y, cuando la encienda, asegúrese de tener las manos secas, para evitar una descarga eléctrica.

- Use el calefactor de terrazas solo al aire libre o en un espacio abierto amplio. Mantenga todos los objetos inflamables como lonas, sombrillas, ramas, muebles, cortinas, papel, etc., alejados del dispositivo (a menos un metro de distancia por lo menos, aunque sean objetos no fijos). Debe estar a por lo menos 1 metro de distancia de las paredes. La pantalla debe estar situada al menos a 180 cm del suelo. Si coloca el dispositivo debajo de un techo, debe haber un espacio de por lo menos 50 cm entre la parte superior del calefactor de terrazas y el techo (no inflamable). Con un techo inflamable (madera, plástico, lona, etc.) la distancia debe ser de por lo menos 1 metro. ¡Asegure siempre una buena ventilación!
- No coloque el dispositivo justo por encima o por debajo de un enchufe de pared (no muy cerca).
- El calefactor de terrazas ha sido concebido solo para uso doméstico. Por lo tanto, no debe usarse en obras de construcción, en invernaderos, graneros, establos, etc., aunque sean muy abiertos. Suelen tener demasiados materiales inflamables.
- No use este calefactor de terrazas como calefactor de saunas o como calefactor permanente de espacios o habitaciones.
- No use este calefactor de terrazas en casetas de perros ni en ningún otro lugar donde haya animales.
- No lo utilice cerca o alrededor de bañeras, piscinas o cualquier otro depósito de líquidos. A pesar de que el dispositivo es a prueba de salpicaduras, hay que tener cuidado con el agua. Asegúrese de que no se caiga en el agua y no lo exponga a chorros de agua potentes. No toque el dispositivo con las manos húmedas ni lo coloque en áreas inmediatamente próximas a baños, lavabos, piscinas u otro suministro de agua, ya que es peligroso.
- Para protegerse contra las descargas eléctricas, no sumerja el cable o el enchufe en agua ni en ningún otro líquido.
- No introduzca ni deje entrar objetos extraños en ninguna abertura de ventilación o de salida pues pueden ocasionarse descargas eléctricas, incendios o daños en el calefactor.
- Compruebe que haya suficiente luz. Los interruptores del dispositivo deben resultar bien visibles a 1 metro de distancia.
- Desenchufe siempre el calefactor cuando no lo use. Nunca deje el dispositivo sin supervisión cuando esté en uso, apáguelo y desenchúfelo. No use el dispositivo con un programador, temporizador o cualquier otro dispositivo que lo encienda automáticamente.
- No use el calefactor con un regulador de tensión externo, como un regulador de intensidad, un regulador de velocidad, etc. Esto produce un peligro eléctrico.
- Compruebe que el cable no cuelgue sobre aristas afiladas, no haga curvas pronunciadas y no toque superficies calientes. No enrolle el cable alrededor del dispositivo.
- No deje sobresalir el cable de la encimera, desde donde puede ser tirado fácilmente por los niños.
- No ponga los dedos ni objetos extraños en la rejilla durante el funcionamiento.
- Nunca deje el aparato sin vigilancia cuando esté funcionando.
- Este calefactor no ha sido diseñado para ser utilizado en baños, lavanderías y lugares interiores similares. Nunca coloque el calefactor donde pueda caerse en una bañera u otro recipiente de agua.
- No asumiremos responsabilidad alguna por los daños causados por el incumplimiento de estas instrucciones o por cualquier otro uso o manejo indebido.
- Este aparato puede ser utilizado por niños a partir de 8 años de edad y por personas con capacidades físicas, sensoriales o mentales reducidas o que carezcan de experiencia y conocimientos, si están supervisadas o capacitadas sobre el uso del aparato en modo seguro y si comprenden los peligros que supone el uso. Los niños no deben jugar con el aparato. La limpieza y el mantenimiento de usuario no deben ser efectuados por niños, sin supervisión.
- Si por cualquier motivo el dispositivo se agrieta o se rompe o si nota alguna imperfección o anomalía en la carcasa de aluminio o en cualquier otra pieza, deje de usar inmediatamente el dispositivo y desenchúfelo de la toma de corriente.
- Si el cable de alimentación se daña de cualquier modo, debe ser sustituido por el fabricante, sus centros de servicios u otras personas con cualificación similar, para evitar peligros.
- Para evitar el sobrecalentamiento de este



aparato, mantenga las entradas y salidas de aire limpias y libres de cualquier elemento que pudiese causar una obstrucción. Compruebe periódicamente todas las entradas y salidas para asegurarse de que estén libres de toda acumulación de suciedad o polvo. NO CUBRIR EL DISPOSITIVO. La etiqueta de advertencia no debe cubrir el dispositivo y debe colocarse en un lugar claramente visible después de la instalación. No debe colocarse en la parte posterior.

- Algunas piezas del calefactor pueden superar los 200 °C, por lo tanto, el contacto con el tubo calefactor, el reflector o las piezas metálicas cercanas al tubo calefactor puede causar QUEMADURAS graves. Para evitar quemaduras, no toque con la piel desnuda la superficie caliente.
- NUNCA coloque las manos debajo de los elementos calefactores. SIEMPRE deje que el elemento calefactor se enfríe durante por lo menos 10 minutos antes de tocar el tubo calefactor o las piezas próximas.
- No guarde ningún líquido o material inflamable, como pintura, gasolina, depósitos de gas, etc., cerca del dispositivo. No utilice el dispositivo en ambientes inflamables, como depósitos de combustible cercanos, tubos de gas o botes de aerosol. ¡Peligro de explosión e incendio!
- Este producto contiene materiales reciclables. No elimine este producto como residuo doméstico sin clasificar. Póngase en contacto con las autoridades locales para conocer el punto de recogida más cercano.
- Coloque el dispositivo a las siguientes distancias mínimas:
  - a 50 cm de un cielo raso o techo no inflamable;
  - a 100 cm de un cielo raso o techo inflamable;
  - a 50 cm de las paredes laterales.

**Seguridad eléctrica**



*Compruebe siempre que la tensión de alimentación coincida con la tensión indicada en la placa de datos*

- No utilice la máquina si el cable de alimentación o el cable prolongador está dañado.
- Utilice solo cables prolongadores adecuados a la potencia de la máquina, con un grosor

mínimo de 1,5 mm<sup>2</sup>. Si utiliza un cable prolongador en carrete, desenrolle siempre todo el cable.

**2. INFORMACIÓN SOBRE LA MÁQUINA**

**Uso previsto**

Este producto ha sido diseñado como calefactor de exteriores para entornos domésticos. El calefactor ha sido concebido para usar en jardines privados u otras zonas exteriores del hogar. El calefactor no puede utilizarse para calentar espacios interiores, ni como calefactor exterior no doméstico, ni para el secado de tejidos u otros materiales. Este calefactor no posee ningún dispositivo de control de temperatura para habitaciones; por lo tanto, no lo use en espacios donde haya niños no capaces de salir de la habitación por sí mismos, salvo que estén constantemente vigilados. El dispositivo debe utilizarse únicamente para la finalidad prevista. Cualquier otro uso será considerado indebido.

**ESPECIFICACIONES TÉCNICAS**

Modelo n.º	PH513AC
Voltaje	220-240 V ~
Frecuencia	50 Hz
Potencia	2000 W
Ajuste de potencia	1: 800 W 2: 1200 W 3: 2000 W
Altura	225 cm
Diámetro placa base	Ø 47 cm
Tipo de elemento calefactor	Halógeno
Tiempo de calentamiento	3-5 segundo
Distancia de calefacción	3 m
Área de calefacción	9 m <sup>2</sup>
Temperatura de color	3000-3500 K
Interruptor de seguridad anticaídas	Sí
Clase de protección de entrada	IPX4
Clase de protección	Clase I
Peso	14.1 kg

## DESCRIPCIÓN

Los números del texto se refieren a los diagramas de las páginas 2-5.

1. Calefactor
2. Rejilla protectora
3. Interruptor de encendido/apagado
4. Tubo superior
5. Tubo central
6. Tubo inferior
7. Cubierta
8. Pies
9. Placa de base
10. Interruptor de encendido/apagado izq.
11. Interruptor de encendido/apagado dcha.
12. Cable de alimentación
13. Caja de conexión de cables
14. Sujetacables
15. Soporte de la placa base
16. Perno
17. Tuerca
18. Tornillo largo
19. Tornillo corto
20. Manguito de anclaje

## 3. MONTAJE



*Este calefactor debe ser instalado por una persona competente, p. ej., un electricista cualificado.*



*Desconecte siempre el calefactor del suministro eléctrico y deje que se enfríe antes de la instalación.*

### Montaje del calefactor (Fig. B-G)



*Monte siempre el dispositivo con los accesorios suministrados.*

Antes de empezar la instalación del dispositivo, tenga en cuenta lo siguiente:

- Coloque el dispositivo sobre una superficie firme y nivelada. ¡El dispositivo nunca debe colocarse en una esquina!
  - El dispositivo debe colocarse de modo que queden 100 cm libres entre el calefactor y otro objeto o la pared, distancia medida desde la parte delantera o desde el costado. Debe haber al menos un espacio de 1,80 m entre el suelo y la parte inferior del dispositivo. Debe haber al menos un espacio de 30 cm entre el dispositivo y el techo.
- No coloque el calefactor cerca de superficies inflamables o sobre estas.
  - Si el calefactor se va a usar en exteriores, se recomienda vivamente utilizar una toma estancia.
  - Antes de perforar, compruebe que no haya cables o tubos de agua en el área donde vaya a instalar el calefactor.
1. Empiece instalando el tubo inferior (6) en la placa de base (9). Apriete el perno (16) y la tuerca (17) como se muestra en la figura B.
  2. Deslice la cubierta (7) sobre el tubo inferior (6), tal como se muestra en la figura B. De esta manera, los pernos (16) quedarán ocultos a la vista.
  3. Coloque el conjunto y su lado, y guíe el cable de alimentación (12) por el centro de la placa base (9) haciéndolo pasar por el tubo inferior (6), como se muestra en la figura C.
  4. Tome el tubo central (5) y guíe el cable de alimentación también por este tubo. Sostenga el tubo central (5) y siga el siguiente paso.
  5. Después enrosque el tubo central (5) en el tubo inferior (6) en sentido horario, hasta que quede apretado. Consulte la figura C.
  6. Tome el tubo central (4) y guíe el cable de alimentación también por este tubo. Sostenga el tubo superior (4) y siga el siguiente paso.
  7. Ahora enrosque el tubo superior (4) en el tubo central (5) en sentido horario, hasta que quede apretado. Consulte la figura D.
  8. Coloque la placa base (9) y los tubos montados en posición vertical.
  9. Ahora tome el calefactor (1) y conéctelo al cable de alimentación (12), como se muestra en la figura E.
  10. Coloque la caja de conexión de cables (13) sobre los conectores de cables y dóblela para cerrarla, como se muestra en la figura E. Esto sellará los conectores de cables y evitará que se aflojen.
  11. Deslice la parte sobresaliente del calefactor (1) con el conjunto de cables correctamente conectados en el tubo superior (4), como se muestra en la figura F.
  12. Compruebe que los dos orificios del calefactor (1) queden alineados con los orificios del tubo superior (4).

13. Después sujete bien el calefactor (1) apretando los tornillos largos (18) en los orificios del tubo superior (4) y después el calefactor.
14. Fije el cable de alimentación (12) en la placa base (9), utilizando el sujetacable (14) y los dos tornillos cortos (19). Consulte la figura G.

#### Fijación de la base del calefactor (Fig. H)

Se recomienda encarecidamente fijar el calefactor a la superficie del suelo utilizando los soportes de la placa base especialmente diseñados (15). Estos soportes evitan que el calefactor se caiga, especialmente cuando se utiliza en exteriores, donde suele haber viento. Para montar los soportes de la placa base:

1. Tome los soportes de la placa base (15) y colóquelos uniformemente alrededor de la placa base (9).
2. Ahora marque los agujeros de perforación en la superficie del suelo a través de los agujeros de los soportes de la placa base (15).
3. Retire los soportes de la placa base y perforo los agujeros en las posiciones marcadas. Utilice un diámetro de broca que coincida con los manguitos de anclaje utilizados (20). Perfore unos 10 a 15 mm más profundamente que la incrustación deseada. Compruebe que los orificios estén nivelados y exactamente a la misma altura.
4. Limpie los orificios cualquier residuo y coloque los soportes de la placa base (15) en su lugar.
5. Coloque la tuerca nivelada con la parte superior del manguito de anclaje (20).
6. Introduzca el manguito de anclaje (20) en el orificio del suelo. Con un martillo, introduzca el manguito de anclaje hasta que la arandela y la tuerca queden apretadas contra el suelo.
7. Ahora coloque el soporte de la placa base (15) en el manguito de anclaje (11) y móntelo usando la arandela y la tuerca. Gire la tuerca con los dedos para apretarla.
8. Con una llave, fije el anclaje girando la tuerca tres o cuatro vueltas completas.
9. Monte los 2 soportes restantes de la placa base (15).

## 4. FUNCIONAMIENTO



**ADVERTENCIA.** Antes de cada uso, compruebe si tiene las manos secas antes de tocar el aparato, y que el aparato esté limpio y seco, no esté dañado y esté bien montado y fijado al suelo.

#### Encendido/apagado y ajuste del nivel de potencia (Fig. A)

El calefactor puede encenderse y apagarse con el interruptor de encendido/apagado (3). El calefactor tiene dos interruptores, para encender o apagar el aparato y también para ajustar el nivel de potencia con tres ajustes diferentes:

- Interruptor izquierdo de encendido/apagado (10) encendido (I); interruptor derecho de encendido/apagado (11) apagado (O):  
Nivel 1- 800 W
- Interruptor izquierdo de encendido/apagado (10) apagado (O); interruptor derecho de encendido/apagado (11) encendido (I):  
Nivel 2- 1200 W
- Interruptor izquierdo de encendido/apagado (10) encendido (I); interruptor derecho de encendido/apagado (11) encendido (I):  
Nivel 3- 2000 W

#### Interruptor de seguridad anticaídas (Fig. A)

Este calefactor tiene un interruptor de seguridad anticaídas. En caso de que el calefactor se caiga, se apaga automáticamente.

Tenga en cuenta que cuando vuelva a la posición vertical, no reanudará el funcionamiento inmediatamente. En primer lugar, apáguelo (lea el apartado de encendido/apagado), saque el enchufe de la toma y compruebe que el calefactor no presente daños. En caso de daño o avería, no utilice el dispositivo; debe entregarlo para su comprobación/repación. En caso de ausencia de daños, puede volver a encender el calefactor (lea el apartado de encendido/apagado).

## 5. MANTENIMIENTO



*Compruebe siempre que la máquina no esté conectada a la red eléctrica cuando realice alguna operación de mantenimiento del mecanismo.*



**PRECAUCIÓN:** Riesgo de descarga eléctrica. *NO abra ni intente reparar el calefactor usted mismo.*

Limpie periódicamente la carcasa del aparato con un paño suave, preferentemente después de cada uso. Compruebe que los orificios de ventilación estén libres de polvo y suciedad. Elimine el polvo persistente utilizando un paño suave humedecido

con agua y jabón. No use disolventes tales como gasolina, alcohol, amoníaco, etc. Tales productos químicos pueden dañar los componentes sintéticos.

- NO use alcohol, gasolina, polvos abrasivos, lustramuebles o cepillos ásperos para limpiar el calefactor. Ello puede dañar o deteriorar la superficie del calefactor.
- NO sumerja el calefactor en agua.
- Espere a que el calefactor se seque completamente antes de usarlo.

### ATENCIÓN:

- Desconecte siempre el calefactor del suministro eléctrico y deje que se enfríe antes de intentar limpiarlo.
- Si el calefactor tiene polvo o suciedad acumulados en su interior o alrededor del elemento calefactor, debe ser limpiado por un agente de servicio cualificado. No utilice el calefactor en estas condiciones.
- El único mantenimiento necesario es la limpieza de las superficies externas del calefactor.
- No toque el elemento calefactor con los dedos desnudos, pues los residuos de su mano podrían afectar a la vida de la lámpara. Si la toca accidentalmente, quite las marcas de los dedos con un paño suave humedecido con alcohol o una bebida espirituosa mentolada.
- No intente reparar ni ajustar ninguna función eléctrica o mecánica de este calefactor.
- El calefactor no contiene piezas que puedan ser reparadas por el usuario. En caso de que el producto sufra daños o averías, debe ser enviado al fabricante o a su agente de servicio.
- Si el cable de alimentación se daña, debe ser sustituido por el fabricante, un agente de servicio u otra persona con una cualificación similar, para evitar peligros.

### Almacenamiento

Guarde el calefactor en un lugar fresco y seco cuando no lo utilice para evitar que se acumule el polvo y la suciedad. Utilice el cartón del embalaje para guardarlo.

### Solución de problemas

Si el calefactor no funciona, compruebe lo siguiente antes de solicitar la reparación o servicio:

- Compruebe si el cable de alimentación está enchufado en una toma de corriente, si no lo está, enchúfelo.

- Compruebe si el fusible principal tiene electricidad.
- Cerciórese de que los interruptores de alimentación estén encendidos. Si no lo están, elija un ajuste.

## MEDIOAMBIENTE



*Los aparatos eléctricos o electrónicos defectuosos y/o desechados deben recogerse en lugares de reciclado apropiado.*

### Solo para países de la Comunidad Europea

No elimine las herramientas eléctricas como residuos domésticos. De acuerdo con la Directiva europea 2012/19/CE sobre residuos de aparatos eléctricos y electrónicos, y su transposición a las legislaciones nacionales, las herramientas eléctricas que ya no se utilizan deben recogerse por separado y eliminarse en modo ecológico.

## GARANTÍA

Los productos VONROC han sido fabricados con los estándares de calidad más elevados y garantizamos que están exentos de defectos relacionados con los materiales y la mano de obra durante el período legalmente establecido a partir de la fecha de compra original. Si, durante este período, el producto presenta algún fallo de los materiales y/o la mano de obra, póngase en contacto directamente con VONROC.

Las circunstancias están excluidas de esta garantía:

- Si se han realizado o se ha intentado realizar reparaciones o alteraciones en la máquina por parte de centros de servicio no autorizados;
- Desgaste normal;
- La herramienta ha sido usada impropia, mal utilizada o mantenida incorrectamente;
- Si se han utilizado piezas de repuesto no originales.

Esta constituye la única garantía, expresa e implícita, ofrecida por la empresa. No existen otras garantías expresas ni implícitas distintas a la especificada en el presente documento, incluidas las garantías implícitas de comerciabilidad y de adecuación a un propósito particular. VONROC no será responsable bajo ninguna circunstancia de ningún daño incidental o consecuente.

Los recursos de los distribuidores están limitados a la reparación o sustitución de las unidades o piezas no conformes.

**El producto y el manual de usuario están sujetos a variaciones. Las especificaciones pueden variarse sin aviso previo.**

## 1. ISTRUZIONI DI SICUREZZA

Leggere le avvertenze di sicurezza, le avvertenze di sicurezza aggiuntive e le istruzioni contenute in questo manuale. La mancata osservanza delle avvertenze e istruzioni di sicurezza potrebbe dar luogo a scosse elettriche, incendi e/o lesioni personali gravi. Conservare le avvertenze di sicurezza e le istruzioni per riferimenti futuri.

I simboli riportati di seguito vengono utilizzati all'interno del manuale per l'utilizzatore oppure sono indicati sul prodotto:



*Leggere il manuale per l'utilizzatore.*



*Denota il rischio di lesioni personali, morte o danni al riscaldatore in caso di mancata osservanza delle istruzioni contenute in questo manuale.*



*Rischio di scosse elettriche.*



*Attenzione: superficie calda!*



*Non coprire il dispositivo.*



*Simbolo di messa a terra. Questo apparecchio rientra nella classe di protezione I e deve essere collegato a una presa di corrente dotata di messa a terra.*



*Il prodotto è conforme alle norme di sicurezza applicabili ai sensi delle direttive europee vigenti.*

### **AVVERTENZE DI SICUREZZA GENERALI QUESTE ISTRUZIONI DEVONO ESSERE LETTE ATTENTAMENTE E CONSERVATE PER CONSULTAZIONI FUTURE.**

**Il produttore non può essere ritenuto responsabile per eventuali danni causati dalla mancata osservanza delle presenti istruzioni.**

Questo apparecchio può essere usato dai bambini dagli 8 anni in su e dalle persone con capacità fisiche, sensoriali o mentali ridotte o con mancanza di esperienza e conoscenza, purché essi siano sorvegliati o istruiti sull'uso dell'apparecchio in modo sicuro e comprendano i pericoli del caso. Non lasciare giocare i bambini con l'apparecchio.

Gli interventi di pulizia e manutenzione da parte dell'utilizzatore non devono essere svolti da bambini senza supervisione.

I bambini di età inferiore ai 3 anni devono essere tenuti a debita distanza a meno che non siano sottoposti a supervisione continua. I bambini di età compresa tra 3 anni e 8 anni possono accendere/ spegnere l'apparecchio solo a condizione che sia stato collocato o installato nella normale posizione di funzionamento prevista e purché siano sorvegliati o abbiano ricevuto istruzioni sull'utilizzo in sicurezza dell'apparecchio e ne comprendano i rischi associati. I bambini di età compresa tra 3 anni e 8 anni non devono collegare alla corrente, regolare e pulire l'apparecchio né eseguire interventi manutenzione previsti da parte dell'utilizzatore.

**ATTENZIONE - alcune parti di questo prodotto possono diventare roventi e causare ustioni. Prestare particolare attenzione in presenza di bambini e persone vulnerabili.**

### ISTRUZIONI DI SICUREZZA IMPORTANTI

LEGGERE ATTENTAMENTE - Il riscaldatore a infrarossi è progettato per un funzionamento sicuro. Tuttavia, l'installazione, la manutenzione e il funzionamento del riscaldatore possono risultare pericolosi. L'osservanza delle seguenti procedure ridurrà il rischio di incendi, scosse elettriche, lesioni alle persone e ridurrà al minimo il tempo di installazione. Conservare le presenti istruzioni per riferimenti futuri.

- Leggere tutte le istruzioni prima di utilizzare questo riscaldatore.
- Rimuovere l'apparecchio dalla confezione e verificare che sia in buone condizioni prima dell'uso.
- Non lasciare che i bambini giochino con parti dell'imballaggio (come i sacchetti di plastica).
- Controllare la tensione della rete elettrica domestica per assicurarsi che corrisponda alle specifiche nominali del riscaldatore.
- Controllare attentamente il cavo di alimentazione e la spina prima dell'uso, per assicurarsi che non siano danneggiati.
- Prima di scollegare il cavo di alimentazione, assicurarsi di spegnere l'apparecchio. Quando si dà corrente all'unità, assicurarsi di avere le mani asciutte per evitare scosse elettriche.
- Utilizzare il riscaldatore per terrazze esclusivamente all'esterno o in un ampio spazio aperto. Tenere tutti gli oggetti infiammabili come teloni, ombrelloni, rami, mobili, tende, carta ecc. a distanza dal dispositivo (almeno 1 metro anche se si tratta di oggetti mobili!). Il riscaldatore deve essere installato a una distanza di almeno 1 metro dalle pareti. La testa deve essere posizionata ad almeno 180 cm da terra. Se si posiziona l'apparecchio sotto un tetto, deve essere lasciato uno spazio di almeno 50 cm tra la calotta del riscaldatore e il soffitto (in materiale non infiammabile). Nel caso di un tetto in materiale infiammabile (legno, plastica, telone ecc.), questa distanza deve essere di almeno 1 metro. Assicurare sempre una buona ventilazione!
- Non posizionare il dispositivo appena sopra o sotto una presa a muro (non nelle immediate vicinanze).
- Il riscaldatore per terrazze è destinato esclusivamente all'uso domestico. Pertanto, non è consigliabile utilizzarlo per riscaldare cantieri, serre, fienili, bancarelle ecc., anche se si tratta per lo più di spazi aperti. Solitamente in quei luoghi sono presenti troppi materiali infiammabili.
- Non utilizzare questo riscaldatore per terrazze per riscaldare saune o come dispositivo per il riscaldamento permanente per spazi o ambienti chiusi.
- Non utilizzare questo riscaldatore per terrazze in un canile o in qualsiasi altro luogo in cui siano presenti animali.
- Non utilizzarlo vicino o nelle immediate vicinanze di una vasca da bagno o una piscina o qualsiasi fonte di liquidi. Nonostante il dispositivo sia a prova di schizzi, è necessario fare attenzione con l'acqua. Assicurarsi che non possa cadere in acqua e non esporlo a potenti getti d'acqua. Non toccarlo con le mani bagnate e non posizionare il dispositivo nell'area immediatamente attigua a una vasca da bagno, un bagno, una piscina o un'altra fonte d'acqua, poiché potrebbe risultare pericoloso.
- Per proteggersi dalle scosse elettriche, non immergere il cavo o la spina in acqua o in qualsiasi altro liquido.
- Non inserire né consentire l'ingresso di oggetti estranei nelle aperture di ventilazione o di scarico, poiché ciò potrebbe causare scosse

- elettriche, incendi o danni al riscaldatore.
- Assicurarsi che l'ambiente sia abbastanza illuminato. Gli interruttori sul dispositivo devono essere opportunamente visibili da una distanza di 1 metro.
  - Scollegare sempre il riscaldatore dalla presa di corrente quando non è in uso. Non lasciare mai il dispositivo incustodito quando è in uso; ricordarsi di spegnerlo e scollegarlo. Non utilizzare l'apparecchio con un programmatore, un timer o qualsiasi altro dispositivo che accenda automaticamente il dispositivo.
  - Non utilizzare il riscaldatore con un regolatore di tensione esterno come un commutatore, un regolatore di velocità, ecc. Così facendo si genera un rischio elettrico.
  - Assicurarsi che il cavo non penda su bordi (affilati), non formi curve sporgenti e non tocchi superfici calde. Non avvolgere il cavo attorno all'apparecchio.
  - Non lasciare che il cavo sporga dal piano di appoggio dove possa essere facilmente tirato dai bambini.
  - Non inserire le dita od oggetti estranei nella griglia quando l'apparecchio è in funzione.
  - Non lasciare l'apparecchio incustodito quando è acceso.
  - Questo riscaldatore non è destinato all'uso in bagni, lavanderie e luoghi interni simili. Non posizionare mai il radiatore in un punto in cui potrebbe cadere in una vasca da bagno o in un altro recipiente d'acqua.
  - Decliniamo qualsiasi responsabilità per eventuali danni causati dal mancato rispetto delle presenti istruzioni o da qualsiasi altro uso improprio o manomissione.
  - Questo apparecchio può essere usato dai bambini dagli 8 anni in su e da persone con ridotte capacità fisiche, sensoriali o mentali o con mancanza di esperienza e conoscenza, purché essi siano sorvegliati o istruiti sull'uso dell'apparecchio in sicurezza e comprendano i pericoli del caso. Non lasciare giocare i bambini con l'apparecchio. Gli interventi di pulizia e manutenzione da parte dell'utilizzatore non devono essere svolti da bambini senza supervisione.
  - Se, per qualsiasi motivo, il dispositivo dovesse incrinarsi o rompersi, o se si dovessero riscontrare imperfezioni o anomalie nel corpo in alluminio o in qualsiasi altra parte, interrompere immediatamente l'uso dell'apparecchio e staccare la spina dalla presa di corrente.
  - Se il cavo di alimentazione dovesse essere danneggiato in qualsiasi modo, farlo sostituire dal produttore, da un suo rappresentante addetto all'assistenza o da altre persone con qualifica simile, al fine di evitare rischi per la sicurezza.
  - Per prevenire il surriscaldamento dell'apparecchio, mantenere gli ingressi e le uscite dell'aria puliti e liberi da qualsiasi oggetto che possa ostruirli. Di tanto in tanto ispezionare are tutti gli ingressi e le uscite dell'aria per assicurarsi che siano liberi da accumuli di polvere o sporcizia. **NON COPRIRE L'APPARECCHIO.** L'etichetta di avvertenza di non coprire l'apparecchio dispositivo deve essere posta in un luogo ben visibile anche dopo l'installazione (quindi non sul retro del riscaldatore).
  - Alcune parti del riscaldatore potrebbero superare i 200 °C. Il contatto con il tubo di riscaldamento, il riflettore o le parti metalliche vicino al tubo di riscaldamento può causare **USTIONI** gravi. Per evitare ustioni, evitare il contatto della pelle nuda con la superficie rovente.
  - Non mettere **MAI** le mani sotto gli elementi riscaldanti. Lasciare **SEMPRE** raffreddare l'elemento riscaldante per almeno 10 minuti prima di toccare il tubo di riscaldamento o le parti adiacenti.
  - Non conservare liquidi o materiali combustibili come vernice, benzina, serbatoi di gas ecc. nelle immediate vicinanze del dispositivo. Non utilizzare l'apparecchio in ambienti in cui siano presenti sostanze infiammabili, come nei pressi di serbatoi di gas combustibili, tubi del gas o bombolette spray. Pericolo di esplosione e di incendio!
  - Questo prodotto contiene materiali riciclabili. Non smaltire questo prodotto tra i rifiuti domestici indifferenziati. Per conoscere dove si trova il punto di raccolta più vicino rivolgersi alle autorità preposte di zona.
  - Collocare l'apparecchio a una distanza minima di:
    - 50 cm da un soffitto o un tetto di un materiale non infiammabile;
    - 100 cm da un soffitto o un tetto di un materiale infiammabile;

- 50 cm dalle pareti laterali.

### Sicurezza elettrica



*Verificare sempre che la tensione di alimentazione corrisponda alla tensione sulla targhetta dei valori nominali.*

- Non usare l'apparecchio se il cavo di alimentazione o la spina sono danneggiati o difettosi.
- Utilizzare solo cavi di prolunga adatti per la potenza nominale dell'apparecchio, che abbiano uno spessore minimo di 1,5 mm<sup>2</sup>. Se si utilizza un cavo di prolunga con avvolgicavo, srotolare sempre il cavo completamente.

## 2. INFORMAZIONI RELATIVE ALL'APPARECCHIO

### Uso previsto

Questo prodotto è concepito per l'uso come riscaldatore per patio in ambienti domestici. Questo riscaldatore è destinato all'installazione in giardini privati o in aree esterne della casa. Il riscaldatore non può essere impiegato per riscaldare ambienti chiusi, come fonte di riscaldamento di spazi esterni non domestici o per asciugare tessuti o altri materiali. Questo riscaldatore non è dotato di un dispositivo di controllo della temperatura del locale, per cui non deve essere utilizzato in ambienti occupati da persone che non siano in grado di allontanarsi dalla stanza da sole, a meno che non sia prevista una supervisione continua. L'apparecchio deve essere utilizzato solo per lo scopo previsto. Qualsiasi altro utilizzo sarà considerato un uso improprio.

### DATI TECNICI

<b>Codice modello</b>	<b>PH513AC</b>
Tensione	220-240 V ~
Frequenza	50 Hz
Potenza	2000 W
Impostazioni di potenza	1. 800 W 2. 1200 W 3. 2000 W
Altezza	225 cm
Diametro piastra di base	Ø 47 cm

Tipo elemento riscaldante	Alogeno
Tempo di riscaldamento	3-5 secondo
Distanza di riscaldamento	3 m
Superficie di riscaldamento	9m <sup>2</sup>
Temperatura di colore	3000-3500K
Interruttore di sicurezza in caso di ribaltamento	Sì
Classe di protezione dagli ingressi	IPX4
Classe di protezione	Classe I
Peso	14,1 kg

### DESCRIZIONE

I numeri che compaiono nel testo si riferiscono agli schemi riportati alle pagine 2-5.

1. Riscaldatore
2. Griglia protettiva
3. Interruttore di accensione/spegnimento
4. Tubo superiore
5. Tubo centrale
6. Tubo inferiore
7. Coperchio
8. Piedino
9. Piastra di base
10. Interruttore di accensione/spegnimento di sinistra
11. Interruttore di accensione/spegnimento di destra
12. Cavo di alimentazione
13. Scatola connettori dei cavi
14. Reggicavo
15. Staffa di sostegno piastra di base
16. Bullone
17. Dado
18. Vite lunga
19. Vite corta
20. Tassello con vite

## 3. ASSEMBLAGGIO



*Questo riscaldatore deve essere installato da una persona competente, come ad esempio un elettricista qualificato.*



*Scollegare sempre il riscaldatore dalla rete elettrica e attendere che si raffreddi prima dell'installazione.*



### Assemblaggio del riscaldatore (Fig. B- G)



*Montare sempre il dispositivo utilizzando gli accessori in dotazione.*

Prima di iniziare l'installazione del l'apparecchio, tenere presente quanto segue:

- Posizionare l'apparecchio su una superficie stabile e piana. Non appendere mai il dispositivo da un angolo!
- Il riscaldatore deve essere posizionato lasciando 100 cm di spazio libero tra l'apparecchio e un oggetto o la parete, misurati dalla parte anteriore o laterale. Tra il suolo e la parte inferiore del dispositivo occorre prevedere una distanza di almeno 1,80 m. Tra l'apparecchio e il soffitto occorre prevedere uno spazio libero di almeno 30 cm.
- Non installare il riscaldatore sopra o nei pressi di una superficie infiammabile.
- Se il radiatore deve essere utilizzato all'esterno, è fortemente consigliato l'impiego di una presa elettrica resistente agli agenti atmosferici.
- Prima di praticare fori in una parete, assicurarsi che non vi siano cavi o tubi dell'acqua nell'area in cui deve essere installato il riscaldatore.

1. Iniziare fissando il tubo inferiore (6) sulla piastra di base (9). Serrare il bullone (16) e il dado (17), come illustrato nella figura B.
2. Far scorrere il coperchio (7) sul tubo inferiore (6), come mostrato nella figura B. In questo modo i bulloni (16) saranno nascoste alla vista.
3. Mettere il gruppo di lato e guidare il cavo di alimentazione (12) attraverso il centro della piastra di base (9) e attraverso il tubo inferiore (6), come illustrato nella figura C.
4. Prendere il tubo centrale (5) e guidare il cavo di alimentazione anche attraverso questo tubo. Continuare a tenere il tubo centrale (5) e passare al punto successivo.
5. A questo punto avvitare il tubo centrale (5) sul tubo inferiore (6) ruotandolo in senso orario, fino a quando sarà ben stretto. Vedere la figura C.
6. Prendere il tubo superiore (4) e guidare il cavo di alimentazione anche attraverso questo tubo. Continuare a tenere il tubo superiore (4) e passare al punto successivo.
7. A questo punto avvitare il tubo superiore (4) sul tubo centrale (5) ruotandolo in senso orario, fino a quando sarà ben stretto. Vedere la figura D.

8. Mettere la piastra di base (9) e i tubi assemblati in posizione verticale.
9. Ora prendere il riscaldatore (1) e collegarlo al cavo di alimentazione (12), come illustrato nella figura E.
10. Mettere la scatola dei connettori dei cavi (13) sui connettori dei cavi e chiuderla, come mostrato nella figura E. In questo modo i connettori dei cavi rimarranno sigillati e non si allenteranno.
11. Fare scorrere la parte sporgente del riscaldatore (1) con il gruppo dei cavi opportunamente collegati sul tubo superiore (4), come illustrato nella figura F.
12. Assicurarsi che i due fori presenti nella parte sporgente del radiatore (1) siano allineati ai fori del tubo superiore (4).
13. A questo punto fissare il riscaldatore (1) in posizione stringendo le viti lunghe (18) nei fori del tubo superiore (4) e quindi il riscaldatore.
14. Fissare il cavo di alimentazione (12) sulla piastra di base (9) utilizzando il reggicavo (14) e le due viti corte (19). Vedere la figura G.

### Fissaggio della base del riscaldatore (Fig. H)

Si consiglia vivamente di fissare il riscaldatore a terra utilizzando le apposite staffe di sostegno della piastra di base (15). Queste staffe impediscono al riscaldatore di cadere, specialmente quando viene usato all'aperto e in condizioni di vento frequente. Per fissare le staffe di sostegno della piastra di base:

1. Prendere le staffe di sostegno della piastra di base (15) e posizionarle a distanza regolare attorno alla piastra di base (9).
2. Segnare i punti da perforare sulla superficie del terreno attraverso i fori delle staffe di sostegno della piastra di base (15).
3. Rimuovere le staffe di sostegno della piastra di base e praticare i fori nei punti marcati. Usare un trapano con una punta di diametro corrispondente ai tasselli con vite (20) utilizzati. Forare da 10 a 15 mm circa più in basso rispetto alla profondità prevista. Assicurarsi che i fori siano a livello ed esattamente alla stessa altezza.
4. Rimuovere gli eventuali detriti dai fori e posizionare le staffe di sostegno della piastra di base (15) al loro posto.
5. Posizionare il dado a filo con la parte superiore del tassello con vite (20).

6. Inserire il tassello con vite (20) nel foro nel pavimento. Con un martello, inserire il tassello fino a quando la rondella e il dado saranno ben saldi contro il pavimento.
7. Ora posizionare la staffa di sostegno della piastra di base (15) sul tassello con vite (11) e fissarla utilizzando la rondella e il dado. Ruotare il dado fino a che non risulterà stretto.
8. Utilizzare una chiave per fissare l'ancoraggio ruotando il dado di tre-quattro giri completi.
9. Fissare le altre 2 staffe di sostegno della piastra di base (15).

#### 4. UTILIZZO



**AVVERTENZA.** Prima di ciascun utilizzo, accertarsi di avere le mani asciutte prima di azionare l'apparecchio e che quest'ultimo sia pulito e asciutto, non sia danneggiato e sia installato correttamente e saldamente sul pavimento.

##### Accensione/spengimento e regolazione del livello di potenza (Fig. A)

Il riscaldatore può essere acceso e spento con l'interruttore di accensione/spengimento (3). Il riscaldatore è dotato di due interruttori, che oltre ad accendere o spegnere l'apparecchio, consentono anche di regolare il livello di potenza scegliendo fra tre diverse impostazioni:

- Interruttore di accensione/spengimento di sinistra (10) acceso (I), interruttore di accensione/spengimento di destra (11) spento (O): livello 1 - 800 W
- Interruttore di accensione/spengimento di sinistra (10) spento (O), interruttore di accensione/spengimento di destra (11) acceso (I): livello 2 - 1200 W
- Interruttore di accensione/spengimento di sinistra (10) acceso (I), interruttore di accensione/spengimento di destra (11) acceso (I): livello 3 - 2000 W

##### Interruttore di sicurezza in caso di ribaltamento (Fig. A)

Questo riscaldatore è dotato di un interruttore di sicurezza in caso di ribaltamento. In caso di caduta del riscaldatore, esso si spegne automaticamente.

Tenere presente che dopo avere riportato il riscaldatore in posizione verticale, esso non

riprenderà immediatamente a funzionare. Innanzitutto, spegnere il riscaldatore (leggere la sezione "Accensione e spegnimento"), staccare la spina dalla presa di corrente e verificare che l'apparecchio non sia danneggiato. In caso di danni o malfunzionamento non utilizzare l'apparecchio e farlo controllare / riparare. In assenza di danni è possibile riaccendere semplicemente il riscaldatore (leggere la sezione "Accensione e spegnimento").

#### 5. MANUTENZIONE



*Assicurarsi sempre che l'apparecchio non sia collegato alla rete elettrica quando si esegue un qualsiasi intervento di manutenzione del meccanismo.*



**ATTENZIONE:** rischio di scossa elettrica. *NON aprire né tentare di riparare da soli il riscaldatore.*

Pulire regolarmente il corpo dell'apparecchio con un panno morbido, preferibilmente dopo ogni utilizzo. Assicurarsi che le prese d'aria siano libere da polvere e sporizia. Rimuovere lo sporco particolarmente ostinato con un panno morbido inumidito con acqua e sapone. Non utilizzare solventi come benzina, alcol, ammoniaca, ecc. Le sostanze chimiche di questo tipo danneggiano i componenti sintetici.

- NON usare alcol, benzina, polveri abrasive, lucido per mobili o spazzole ruvide per pulire il riscaldatore. Ciò potrebbe causare danni o deterioramento alla superficie del riscaldatore.
- NON immergere il riscaldatore nell'acqua.
- Attendere che il riscaldatore sia completamente asciutto prima dell'uso.

##### ATTENZIONE

- Scollegare sempre il riscaldatore dalla rete elettrica e attendere che si sia raffreddato prima di tentare di pulirlo.
- Se all'interno del riscaldatore o attorno all'elemento riscaldante si è formato un accumulo di polvere o sporizia, fare pulire l'apparecchio da un tecnico dell'assistenza qualificato. Non utilizzare il riscaldatore in questa condizione.

- L'unica manutenzione richiesta è la pulizia delle superfici esterne del riscaldatore.
- Non toccare l'elemento riscaldante a mani nude, poiché eventuali residui presenti sulla mano potrebbero compromettere la durata della lampada. Se viene toccato accidentalmente, rimuovere le impronte con un panno morbido inumidito con alcol denaturato.
- Non tentare di effettuare alcuna riparazione o regolazione delle funzioni elettriche o meccaniche di questo riscaldatore.
- All'interno del riscaldatore non sono presenti parti che richiedono interventi di manutenzione da parte dell'utilizzatore. In caso di danni o guasti, il prodotto dovrà essere fatto pervenire al produttore o a un suo rappresentante addetto all'assistenza.
- I cavi di alimentazione danneggiati devono essere sostituiti dal produttore, da un suo rappresentante addetto all'assistenza o da altre persone con qualifica simile, al fine di evitare rischi per la sicurezza.

### Conservazione

Quando non viene utilizzato, conservare il riscaldatore in un luogo fresco e asciutto al fine di evitare l'accumulo di polvere e sporcizia. Custodire l'apparecchio all'interno della sua scatola.

### Risoluzione dei problemi

In caso di mancato funzionamento del radiatore, controllare quanto segue prima di richiedere la riparazione o l'assistenza:

- Controllare che la spina del cavo di alimentazione sia collegata a una presa elettrica. Se così non fosse, collegarla.
- Controllare se arriva corrente al fusibile principale.
- Assicurarsi che gli interruttori di alimentazione siano accesi. In caso contrario, scegliere un'impostazione.

### PROTEZIONE DELL'AMBIENTE



*Le apparecchiature elettriche o elettroniche difettose e/o scartate devono essere conferite presso gli opportuni centri di riciclaggio.*

### Solo per i Paesi CE

Non smaltire gli elettrodomestici insieme ai rifiuti domestici. Secondo la Direttiva europea 2012/19/EC sui rifiuti delle apparecchiature elettriche ed elettroniche e relativa implementazione nelle normative locali, gli elettrodomestici ormai inutilizzabili devono essere raccolti separatamente e smaltiti in modo ecologico.

### GARANZIA

I prodotti VONROC sono sviluppati secondo gli standard di qualità più elevati e sono garantiti esenti da difetti sia per quanto riguarda i materiali che la lavorazione per il periodo stabilito per legge a decorrere dalla data di acquisto iniziale. Se durante questo periodo il prodotto dovesse presentare dei difetti di materiali e/o di lavorazione, contattare direttamente VONROC.

Le seguenti circostanze sono escluse dalla garanzia:

- esecuzione o tentativo di esecuzione di riparazioni o modifiche all'apparecchio da parte di personale di centri di assistenza non autorizzati;
- usura normale;
- maltrattamento, uso improprio o manutenzione inadeguata dell'apparecchio;
- utilizzo di ricambi non originali.

La presente costituisce l'unica garanzia espressa o implicita fornita dall'azienda. Non sono concesse altre garanzie, espresse o implicite, oltre a quelle descritte in questo manuale, ivi comprese le garanzie implicite di commerciabilità e di idoneità a uno scopo particolare. In nessun caso VONROC sarà ritenuta responsabile di alcun danno incidentale o consequenziale. I rimedi offerti dai rivenditori si limiteranno alla riparazione o alla sostituzione delle unità o dei componenti non conformi.

**Il prodotto e il manuale per l'utilizzatore sono soggetti a modifiche. I dati tecnici possono essere modificati senza ulteriore notifica.**

## 1. SÄKERHETSANVISNINGAR

Läs de medföljande säkerhetsvarningarna, de kompletterande säkerhetsvarningarna och anvisningarna. Underlåtenhet att följa säkerhetsvarningarna och anvisningarna kan orsaka elstöt, brand och/eller allvarlig skada. Spara säkerhetsvarningarna och anvisningarna för framtida bruk.

Följande symboler används i användarhandboken eller på produkten:



Läs användarhandboken.



Anger risk för personskada, dödsfall eller skada på verktyget om anvisningarna i denna handbok inte följs.



Risk för elstöt.



Varning: het yta!



Täck inte över enheten.



Jordningssymbol. Denna apparat är klassificerad som skyddsklass I och måste anslutas till ett jordat eluttag.



Produkten uppfyller gällande säkerhetsnormer i EU-direktiven.

**ALLMÄNNA SÄKERHETSANVISNINGAR**  
**DESSA INSTRUKTIONER BÖR LÄSAS NOGA OCH**  
**BEVARAS FÖR FRAMTIDA REFERENS,**  
**Tillverkaren kan inte hållas ansvarig för skador**  
**orsakade av att dessa instruktioner inte följts.**

Denna apparat kan användas av barn från 8 år och personer med nedsatt fysisk eller psykisk förmåga eller bristande erfarenhet eller kunskap, om de övervakas eller får instruktioner om hur apparaten används på ett säkert sätt och är medvetna om riskerna. Barn får inte leka med apparaten. Rengöring och användarunderhåll ska inte utföras av barn utan övervakning.

Barn under 3 år bör hållas borta om de inte övervakas kontinuerligt. Barn från 3 år och under 8 år får endast slå på/stänga av apparaten under förutsättning att den har placerats eller installerats

i dess avsedda normala driftläge och de har tillsyn eller fått instruktioner om hur man använder apparaten på ett säkert sätt och förstår riskerna. Barn från 3 år och yngre än 8 år får inte koppla in, reglera och rengöra apparaten eller utföra användarunderhåll.

**FÖRSIKTIGHET — Vissa delar av denna apparat kan bli mycket varma och orsaka brännskador. Var särskilt uppmärksam om barn och känsliga personer är närvarande.**

### VIKTIGA SÄKERHETSANVISNINGAR

LÄS NOGA - den infraröda värmaren är konstruerad för säker drift. Ändå kan installation, underhåll och drift av värmaren vara farlig. Att följa följande procedurer minskar risken för brand, elstöt, personskada och håller installationstiden till ett minimum. Spara dessa instruktioner för framtida behov.

- Läs alla instruktioner innan du använder värmaren.
- Ta ut enheten ur förpackningen och kontrollera att den är i gott skick innan du använder den.
- Låt inte barn leka med delar av förpackningen (t.ex. plastpåsar).
- Kontrollera nätspänningen för att säkerställa att den överensstämmer med värmaren.
- Kontrollera nätsladden och kontakten noggrant innan du använder dem för att se till att de inte skadas.
- Innan du drar ur nätsladden, se till att stänga av strömmen. Se till att händerna är torra för att förhindra elektrisk stöt.
- Använd endast terrassvärmaren utomhus eller i ett stort öppet utrymme. Förvara alla brandfarliga föremål som presenningar, parasoller, grenar, möbler, gardiner, papper etc. ur vägen för enheten (minst 1 meter även om de är om de inte är stationära föremål!). Avståndet till väggarna måste vara minst 1 meter. Huvudet måste vara placerat minst 180 cm över marken. Om du placerar enheten under ett tak måste det finnas ett utrymme på minst 50 cm mellan locket på terrassvärmaren och det (icke brännbara) taket. Med ett brandfarligt tak (trä, plast, presenning etc.) måste detta avstånd vara minst 1 meter. Tillsä alltid till god ventilation!
- Placera inte enheten precis ovanför eller under ett vägguttag (inte i omedelbar närhet).

- Terrassvärmaren är endast avsedd för användning i hemmet. Du bör därför inte använda den på byggarbetsplatser, i växthus, ladugårdar eller spiltor, även om de till stor del är öppna. Det finns vanligtvis för mycket brandfarligt material där.
- Använd inte denna terrassvärmare som bastuuppvärmning eller som permanent värmeelement.
- Använd inte denna terrassvärmare i en kennel eller någon annan plats där djur finns.
- Använd inte i närheten av ett badkar, en pool eller någon vätskekälla. Trots att enheten är stänksäker måste du vara försiktig med vatten. Se till att den inte kan falla i vattnet och utsätt den inte för kraftiga vattenstrålar. Rör inte vid den med våta händer och placera inte enheten i området omedelbart runt ett badkar, tvättrum, pool eller annan vattenförsörjning, eftersom det är farligt.
- För att skydda mot elektriska stötar får du inte sänka ner sladden eller plugga in den i vatten eller någon annan vätska.
- Sätt inte in eller låt främmande föremål tränga in i ventilation eller avgasöppningar, eftersom det kan orsaka elektrisk stöt, brand eller skada på värmaren.
- Se till att det finns tillräckligt med ljus. Strömbrytarna på enheten måste vara ordentligt synliga från en meters avstånd.
- Koppla alltid bort värmaren när den inte används. Lämna aldrig enheten utan tillsyn när den används, utan stäng av den och dra ur kontakten. Använd inte enheten med en programmeringsanordning, timer eller någon annan enhet som slår på enheten automatiskt.
- Använd inte värmaren med en extern spänningsregulator som dimmer, hastighetsregulator etc. Detta medför en elektrisk risk.
- Se till att sladden inte hänger över (vassa) kanter, inte böjs kraftigt, inte vidrör heta ytor. Vira inte sladden runt enheten.
- Låt inte sladden hänga över bänkskivan där den lätt kan dras i av barn.
- Lägg inte fingrar eller främmande föremål i värmeelementet medan den är i drift.
- Lämna aldrig apparaten utan uppsikt när den används.
- Denna värmare är inte avsedd för användning i badrum, tvättstugor och liknande platser inomhus, placera aldrig värmaren där den kan hamna i ett badkar eller någon annan vattenbehållare.
- Inget ansvar kan godtas för skador orsakade av bristande efterlevnad av dessa instruktioner eller annan felaktig användning eller felaktig hantering.
- Denna apparat kan användas av barn från 8 år och personer med nedsatt fysisk eller psykisk förmåga eller bristande erfarenhet eller kunskap, om de övervakas eller får instruktioner om hur apparaten används på ett säkert sätt och är medvetna om riskerna. Barn får inte leka med apparaten. Rengöring och användarunderhåll ska inte utföras av barn utan övervakning.
- Om enheten av någon anledning orsakar sprickor eller brott, eller om du upptäcker brister eller brott i aluminiumhöljet eller någon annan del, ska du omedelbart stoppa enheten och ta ut kontakten ur uttaget.
- Om en strömsladd är skadad på något sätt måste den bytas av tillverkaren, tillverkarens serviceombud eller liknande kvalificerad personal för att undvika fara.
- För att förhindra överhettning av denna apparat, håll luftinlopp och utlopp rena och fria från allt som kan orsaka blockering. Kontrollera alla inlopp och utlopp då och då för att säkerställa att de är fria från smuts eller damm. TÄCK INTE. Varningsetiketten måste också placeras på ett tydligt synligt ställe efter installationen och får inte täcka enheten: den ska därför inte vara på baksidan.
- Delar av värmaren kan överstiga 200°, kontakt med värmeröret, reflektorn eller metalldelar nära värmeröret kan orsaka allvarliga brännskador. Låt inte bar hud komma i kontakt med den heta ytan för att undvika brännskador.
- Placera ALDRIG händerna under värmeelementen. Låt ALLTID värmeelementet svalna minst 10 minuter innan du rör vid värmeröret eller intilliggande delar.
- Förvara inga brännbara vätskor eller material som färg, bensin, bensintankar etc. i enhetens omedelbara närhet. Använd inte enheten i lättantändlig miljö, såsom närliggande brännbara gastankar, gasrör eller sprayburkar. Risk för explosion och brand!
- Denna produkt innehåller återvinningsbara material. Kasta inte denna produkt som

osorterat hushållsavfall. Kontakta din lokala myndighet för närmaste återvinningsställe.

- Placera enheten med ett minsta avstånd av:
  - 50 cm till ett icke brännbart tak;
  - 100 cm till ett brandfarligt tak;
  - 50 cm till sidoväggarna

### Elsäkerhet



*Kontrollera alltid så att spänningen på nätet motsvarar den spänning som finns angiven på märkplåten.*

- Använd inte maskinen om nätkabeln eller nätkontakten är skadad.
- Använd endast förlängningskablar som är lämpliga för maskinens effekt med en minsta tjocklek på 1,5 mm<sup>2</sup>. Om du använder en kabelvinda, rulla alltid ut kabeln helt.

## 2. MASKININFORMATION

### Avsedd användning

Denna produkt är utformad som ett stativ för terrassvärmare för hemmamiljöer. Värmaren är avsedd för privata trädgårdar eller andra uteplatser i hemmet. Värmaren får inte användas för att värma upp ett inomhusutrymme, för att användas som en utomhusvärmare utanför hushåll eller för torkning av textilier eller andra material. Denna värmare är inte utrustad med en anordning för att kontrollera rumstemperaturen, så använd inte denna värmare i utrymmen där de är upptagna av personer som inte kan lämna rummet på egen hand, om inte konstant övervakning tillhandahålls. Anordningen ska endast användas för det föreskrivna ändamålet. All annan användning anses vara ett fall av missbruk.

### TEKNISKA SPECIFIKATIONER

Modell-nr	PH513AC
Spänning	220-240 V ~
Frekvens	50Hz
Energi	2000 W
Av/på-inställningar	1: 800 W 2: 1200 W 3: 2000 W
Höjd	225 cm
Basplattans diameter	Ø 47 cm

Värmeelement typ	Halogen
Uppvärmningstid	3-5 sekund
Uppvärmningsavstånd	3 m
Värmeområde	9 m <sup>2</sup>
Färgtemperatur	3000-3500 K
Säkerhetsbrytare för vältning	Ja
Kapslingsklass	IPX4
Skyddsklass	Klass I
Vikt	14,1 kg

### BESKRIVNING

Siffrorna i texten hänvisar till diagrammen på sidorna 2-5.

1. Värmare
2. Skyddsgaller
3. Strömbrytare
4. Övre rör
5. Mellanrör
6. Nedre rör
7. Skydd
8. Fot
9. Basplatta
10. Vänster brytare på/av
11. Höger brytare på/av
12. Strömkabel
13. Kabelkontaktdosa
14. Kabelhållare
15. Basplattans fäste
16. Bult
17. Mutter
18. Lång skruv
19. Kort skruv
20. Hylsanslutning

### 3. MONTERING



*Värmaren ska installeras av en behörig person, dvs. en kvalificerad elektriker.*



*Koppla alltid bort värmaren från eluttaget och låt den svalna före installationen.*

#### Montering av värmaren (fig. B-G)



*Montera alltid enheten med de medföljande tillbehören.*

Innan du påbörjar installationen bör du ta hänsyn till följande:

- Placera enheten på en stabil och plan yta. Enheten får aldrig hängas i vinkel!
- Apparaten ska placeras så att det finns 100 cm fritt utrymme mellan värmaren och föremålet eller väggen, mätt framifrån eller från sidan. Det måste finnas minst 1,80 m mellan marken och enhetens undersida. Det måste finnas minst 30 cm avstånd mellan enheten och taket.
- Installera inte värmaren nära en lättantändlig yta.
- Om värmaren ska användas utomhus rekommenderas ett väderbeständigt uttag.
- Innan du borrar, se till att det inte finns några ledningar eller vattenledningar i det område där värmaren ska installeras.

1. Starta genom att montera parallellslaget (6) på basplattan (9). Dra åt bulten (16) och muttern (17) enligt figur B.
2. Skjut in skyddet (7) på det nedre röret (6) som visas på figur B. Detta kommer att dölja bultarna (16) från sikt.
3. Lägg enheten på sidan och för strömkabeln (12) genom mitten av bottenplattan (9) och genom det nedre röret (6), som visas i figur C.
4. Ta mittröret (5) och för strömkabeln även genom detta rör. Håll i mittröret (5) och följ nästa steg.
5. Skruva nu fast det mellersta röret (5) på det nedre röret (6) medurs, tills det är tätt. Se figur C.
6. Ta det övre röret (4) och för strömkabeln även genom detta rör. Håll i det övre röret (4) och följ nästa steg.
7. Skruva nu fast det översta röret (4) på det mittröret (5) medurs, tills det är tätt. Se figur D.
8. Placera den monterade bottenplattan (9) och rören i upprätt läge.
9. Ta nu värmaren (1) och anslut den till strömkabeln (12) enligt figur E.
10. Sätt kabelanslutningsboxen (13) på kabelanslutningarna och vik ihop den, som visas på figur E. Detta tätar kabelanslutningarna och förhindrar att de lossnar.
11. Skjut den utskjutande delen av värmaren (1) med den korrekt anslutna kabelnheten på det övre röret (4) som visas på figur F.
12. Se till att de två hålen i den utskjutande delen av värmaren (1) är i linje med hålen i det övre röret (4).

13. Säkra nu värmaren (1) på plats genom att dra åt de långa skruvarna (18) i hålen på det utdragbara röret (4) och därmed värmaren.

14. Fäst strömkabeln (12) på bottenplattan (9) med hjälp av kabelhållaren (14) och de två korta skruvarna (19). Se figur G.

#### Fästa värmarens bas (fig. H)

Det rekommenderas starkt att fästa värmaren vid markytan med hjälp av de specialdesignade bottenplattsfästena (15). Dessa fästen förhindrar att värmaren välter, speciellt när den används utomhus där blåsiga förhållanden hör till vanligheterna. För att montera bottenplattans fästen:

1. Ta bottenplattans fästen (15) och placera dem jämnt fördelade runt bottenplattan (9).
2. Markera nu borrhålen på markytan genom hålen i bottenplattans fästen (15).
3. Ta bort bottenplattans fästen och borra hål i de markerade positionerna. Använd en borrar diameter som överensstämmer med de använda hylsankare (20). Borra minst 10 till 15 mm djupare än den förväntade inbäddningen. Se till att hålen är plana och i exakt samma höjd.
4. Rengör hålen från eventuellt skräp och sätt bottenplattans fästen (15) på plats.
5. Ställ muttern i jämnhöjd med toppen av hylsankaret (20).
6. Sätt in hylsankaret (20) i hålet i golvmaterialet. Använd en hammare och för in hylsankaret tills brickan och muttern sitter tätt mot golvmaterialet.
7. Sätt nu basplattans fäste (15) på hylsankaret (11) och montera det med brickan och muttern. Vrid muttern tills den sitter åt.
8. Använd en skiftnyckel för att ställa in ankaret genom att vrida muttern tre till fyra fulla varv.
9. Montera de återstående 2 bottenplattans fästen (15).

## 4. DRIFT



**VARNING.** Före varje användning, kontrollera att: dina händer är torra innan du använder enheten, att enheten är ren och torr, att enheten inte är skadad, att enheten är korrekt och säkert monterad på golvet.

**Slå på/av och justera effektnivån (fig. A)**

Värmaren kan slås på och av med på/av-knappen (3). Värmaren är utrustad med två strömbrytare, för att inte bara slå på eller stänga av enheten, utan även justera effektnivån i totalt tre olika inställningar:

- Vänster på/av-knapp (10) påslagen (I), höger på/av-knapp (11) avslagen (O): Nivå 1- 800W
- Vänster på/av-knapp (10) avstängd (O), höger på/av-knapp (11) påslagen (I): Nivå 2- 1200W
- Vänster på/av-knapp (10) påslagen (I), höger på/av-knapp (11) påslagen (I): Nivå 3- 2000W

**Säkerhetsbrytare för vältning (fig. A)**

Denna värmare är försedd med en säkerhetsbrytare för vältning. I händelse av att värmaren välter, stängs värmaren av automatiskt.

Observera att när värmaren återställs till sitt upprätt läge börjar den inte fungera igen omedelbart. Stäng först av den (läs "slå på/av"), dra ut stickkontakten ur uttaget och kontrollera om värmaren är skadad. Vid skada eller funktionsstörning använd inte utan lämna in för kontroll/repairation. Om det inte finns några skador kan du helt enkelt slå på värmaren igen (läs "slå på/av").

**5. UNDERHÅLL**

*Se alltid till att maskinen inte är ansluten till elnätet när du utför underhåll av mekanismen.*



*FÖRSIKTIGHET: Risk för elstöt. Försök INTE öppna eller reparera värmaren själv.*

Rengör maskinens hus regelbundet med en mjuk trasa, helst efter varje gång du använder maskinen. Se till att ventilationsöppningarna är fria från damm och smuts. Ta bort mycket ihållande smuts med en mjuk trasa fuktad med tvållösning. Använd inte lösningsmedel som bensin, alkohol, ammoniak osv. Sådana kemikalier skadar de syntetiska komponenterna.

- Använd INTE alkohol, bensin, slipande pulver, möbelpolish eller grova borstar för att rengöra värmaren. Detta kan orsaka skada eller försämring av värmarens yta.
- Sänk ALDRIG värmaren i vatten.

- Vänta tills värmaren är helt torr före användning.

**OBS!**

- Koppla alltid bort värmaren från eluttaget och låt den svalna innan du rengör den.
- Om värmaren har samlat damm eller smuts inuti enheten eller runt värmeelementet, måste enheten rengöras av en kvalificerad servicetekniker. Använd inte värmaren i detta tillstånd.
- Det enda underhåll som krävs är rengöring av värmarens yttre ytor.
- Rör inte vid värmeelementet med bara fingrar, eftersom rester från handen kan påverka lampans livslängd. Vid oavsiktlig beröring avlägsnar du fingermärkena med en mjuk trasa fuktad med menthol eller alkohol.
- Försök inte reparera eller justera några elektriska eller mekaniska funktioner på denna värmare.
- Värmaren innehåller inga delar som kan repareras av användaren. Om produkten skadas eller går sönder, måste den returneras till tillverkaren eller dess serviceagent.
- Om en strömsladd är skadad måste den bytas av tillverkaren, tillverkarens serviceombud eller liknade kvalificerad personal för att undvika fara.

**Förvaring**

Förvara värmaren på en sval, torr plats när den inte används för att förhindra att damm och smuts byggs upp. Använd förpackningskartongen för att lagra den.

**Felsökning**

Om värmaren inte fungerar ska du kontrollera följande innan du söker reparation eller service:

- Kontrollera om nätsladden är ansluten till ett eluttag, om inte, anslut den annars.
- Kontrollera om elen till huvudsäkringens fungerar.
- Se till att strömbrytarna är på. Om inte, välj en inställning.

**MILJÖ**

*Felaktig och/eller kasserad elektrisk eller elektronisk utrustning måste lämnas in på lämpliga återvinningsstationer.*



**Endast för EU-länder**

Kassera inte elverktyg i hushållsavfall. Enligt den europeiska riktlinjen 2012/19/EC om kasserad elektrisk och elektronisk utrustning och dess tillämpning i nationell rätt måste elverktyg som inte längre är användbara samlas in separat och kasseras på ett miljövänligt sätt.

**GARANTI**

VONROC-produkter är utvecklade enligt högsta kvalitetsstandard och garanteras fria från defekter i både material och utförande under den period som lagen föreskriver från och med inköpsdatumet. Om produkten skulle utveckla fel under denna period på grund av defekt material och/eller utförande, kontakta då VONROC direkt.

Följande omständigheter är undantagna från denna garanti:

- Reparationer och/eller ändringar har gjorts eller försökts utföras på maskinen av obehöriga servicecenter;
- Normalt slitage;
- Verktøget har missbrukats, använts på fel sätt eller underhållits felaktigt;
- Reservdelar som inte är original har använts.

Detta utgör den enda garantin som företaget ger antingen uttryckt eller underförstått. Det finns inga andra garantier uttryckta eller underförstådda som sträcker sig bortom detta, inklusive de underförstådda garantierna för säljbarhet och lämplighet för ett visst syfte. Under inga omständigheter ska VONROC hållas ansvarigt för indirekta skador eller följdskador. Återförsäljarnas åtgärder ska begränsas till reparation eller byte av enheter eller delar som inte uppfyller kraven.

**Produkten och användarhandboken kan ändras. Specifikationerna kan ändras utan förvarning.**

**1. SIKKERHEDSANVISNINGER**

Læs de vedlagte sikkerhedsadvarsler, de yderligere sikkerhedsadvarsler og vejledningen. Hvis sikkerhedsadvarselene og vejledningen ikke følges, kan det resultere i elektrisk stød, brand og/eller alvorlige personskader. Gem sikkerhedsadvarselene og vejledningen til fremtidig brug.

Følgende symboler anvendes i brugervejledningen eller på produktet:



*Læs brugervejledningen.*



*Angiver risiko for personskade, dødsfald eller beskadigelse af varmeren i tilfælde af manglende overholdelse af anvisningerne i denne vejledning.*



*Risiko for elektrisk stød.*



*Forsigtig: varm overflade!*



*Dæk ikke enheden til.*



*Jordingssymbol. Dette apparat er klassificeret som beskyttelsesklasse I og skal forbindes til et jordet strømstik.*



*Produktet er i overensstemmelse med de gældende sikkerhedsstandarder i EU-direktiverne.*

**GENERELLE SIKKERHEDSADVARSLER  
DISSE INSTRUKTIONER SKAL LÆSES OMHYGGE-  
LIGT OG GEMMES TIL FREMTIDIG REFERENCE  
Producenten kan ikke holdes ansvarlig for skader  
forårsaget af manglende overholdelse af disse  
instruktioner.**

Dette apparat kan anvendes af børn på 8 år og derover samt af personer med nedsatte fysiske, sensoriske eller mentale evner eller manglende erfaring og viden, hvis de holdes under opsyn eller har fået vejledning i at bruge apparatet på en sikker måde og forstår de dermed forbundne risici. Børn må ikke lege med apparatet. Rengøring og brugervedligeholdelse må ikke udføres af børn uden opsyn.

Børn under 3 år bør holdes væk, medmindre de er under konstant opsyn. Børn fra 3 år og under 8 år må kun tænde/slukke for apparatet, hvis det

har været placeret eller installeret i dets tilsigtede normale driftsposition, og de har fået tilsyn eller instruktion om brug af apparatet på en sikker måde og forstår de involverede farer. Børn under 8 år må ikke tilslutte, regulere og rengøre apparatet eller udføre brugervedligeholdelse.

**FORSIGTIG — nogle dele af dette produkt kan blive meget varme og forårsage forbrændinger. Man skal især være opmærksom, hvis der er børn og sårbare personer til stede.**

### VIGTIGE SIKKERHEDSANVISNINGER

LÆS OMHYGGELIGT - Den infrarøde varmer er udviklet til sikker betjening. Ikke desto mindre kan varmerens installation, vedligeholdelse og betjening være farlig. Overholdelsen af de følgende procedurer reducerer risikoen for brand, elektrisk stød, personskade og holder installationstiden på et minimum. Gem disse instruktioner til fremtidig brug.

- Læs alle instruktioner, inden du bruger denne varmer.
- Tag enheden ud af dens emballage, og kontroller, at den er i god stand inden brug.
- Lad ikke børn lege med emballagedele (såsom plastikposer).
- Kontrollér husstandens spænding for at sikre, at den svarer til varmerens nominelle specifikation.
- Kontrollér netledningen og stikket omhyggeligt inden brug, for at sikre, at de ikke er beskadigede.
- Før du trækker netledningen ud, skal du sørge for at slukke for strømmen, og når du tænder for enheden, skal du sørge for, at dine hænder er tørre, for at forhindre elektrisk stød.
- Brug kun terrassevarmeren udendørs eller i et stort åbent område. Hold alle brændbare genstande som presenninger, parasoller, grene, møbler, gardiner, papir osv. væk fra enheden (mindst 1 meter – også hvis det drejer sig om ikke-stationære genstande!). Der skal være en afstand til væggene på mindst 1 meter. Hovedet skal befinde sig mindst 180 cm over jorden. Hvis du placerer enheden under et tag, skal der være en afstand på mindst 50 cm mellem terrassevarmerens hætte og det (ikke-brændbare) loft. Med et brændbart tag (træ, plast, presenning osv.) skal denne afstand være mindst 1 meter. Sørg altid for god udluftning!
- Placer ikke enheden lige over eller under en stikkontakt (ikke umiddelbart i nærheden).
- Terrassevarmeren er kun beregnet til husholdningsbrug. Du bør derfor ikke bruge den på byggepladser, i drivhuse, lader eller boder osv., selvom hvis de er ret åbne. Der er normalt for meget brændbart materiale på disse steder.
- Brug ikke denne terrassevarmer til at oplade en sauna eller som en permanent område- eller rumvarmer.
- Brug ikke denne terrassevarmer i en kennel eller på andre steder, hvor der er dyr til stede.
- Brug den ikke i nærheden af eller umiddelbart i nærheden af et badeværelse eller en swimmingpool eller nogen væsketilførelse. Selvom enheden er stænk-tæt, skal du være forsigtig med vand. Sørg for, at den ikke kan falde ned i vandet, og udsæt den ikke for kraftige vandstråler. Rør den ikke med våde hænder, og placer ikke enheden i området tæt på et badeværelse, et toilet, en swimmingpool eller en anden vandforsyning, da dette er farligt.
- For at beskytte mod elektrisk stød må ledningen og stikket ikke nedsænkes i vand eller anden væske.
- Undlad at indsætte eller lade fremmedlegemer trænge ind i nogen form for ventilations- eller udsugningsåbning, da dette kan forårsage elektrisk stød, brand eller beskadigelse af varmeren.
- Sørg for, at der er tilstrækkeligt lys. Kontakterne på enheden skal kunne ses tydeligt fra 1 meters afstand.
- Træk altid varmerens stik ud, når den ikke er i brug. Lad aldrig enheden være uden opsyn under brug, men sluk for den og træk stikket ud. Brug ikke enheden sammen med en programmeringsenhed, timer eller anden anordning, der tænder enheden automatisk.
- Brug ikke varmeren med en ekstern spændingsregulator såsom en lysdæmper, hastighedsregulator osv. Dette medfører en elektrisk fare.
- Sørg for, at ledningen ikke hænger ud over (skarpe) kanter, ikke danner kraftige kurver, ikke rører ved varme overflader. Undlad at vikle ledningen omkring enheden.
- Lad ikke ledningen hænge ud over bordpladen, hvor børn let kan trække i den.
- Stik ikke fingre eller fremmedlegemer ind i risten, mens den er i drift.

- Lad ikke apparatet være uden opsyn, når det er i brug.
- Denne varmer er ikke beregnet til brug på badeværelser, i vaskerum og lignende steder indenfor. Placer aldrig varmeren, hvor den kan falde ned i et badekar eller en anden vandbeholder.
- Der påtages intet ansvar for skader, der skyldes manglende overholdelse af disse instruktioner eller anden forkert brug eller forkert håndtering.
- Dette apparat kan anvendes af børn på 8 år og derover samt af personer med nedsatte fysiske, sensoriske eller mentale evner eller manglende erfaring og viden, hvis de holdes under opsyn eller har fået vejledning i at bruge apparatet på en sikker måde og forstår de dermed forbundne risici. Børn må ikke lege med apparatet. Rengøring og brugervedligeholdelse må ikke udføres af børn uden opsyn.
- Hvis enheden af en eller anden grund får revner eller brud, eller hvis du finder defekter eller forstyrrelser af aluminiumshuset eller andre dele, skal du straks holde op med at bruge enheden og tage stikket ud af stikkontakten.
- Hvis netledningen på nogen måde bliver beskadiget, skal den udskiftes af producenten eller dens serviceagent eller en lignende kvalificeret person for at undgå farer.
- For at forhindre overophedning af dette apparat skal luftindgangene og -udgangene holdes rene og fri for alt, der kan forårsage blokering. Kontroller indgangene og udgangene fra tid til anden for at sikre, at de er fri for ophobning af snavs eller støv. MÅ IKKE TILDÆKKES. Advarselmærkaten om ikke at tildække enheden skal også placeres et helt synligt sted efter installationen. Den må derfor ikke placeres på bagsiden.
- Dele af varmeren kan overskride 200°C. Kontakt med varmerøret, reflektoren eller metaldele i nærheden af varmerøret kan forårsage alvorlige FORBRÆNDINGER. For at undgå forbrændinger må du ikke lade bar hud komme i kontakt med den varme overflade.
- Hold ALDRIG hænderne under varmelegemerne. Lad ALTID varmelegemet køle af mindst 10 minutter, inden du berører varmerøret eller tilstødende dele.
- Opbevar ikke brændbare væsker eller materialer såsom maling, benzin, gastanke osv. i umiddelbar nærhed af enheden. Brug ikke enheden i brandfarlige omgivelser, såsom

tæt på brændbare gastanke, gasrør eller spraydåser. Fare for eksplosion og brand!

- Dette produkt indeholder genanvendelige materialer. Bortskaf ikke dette produkt som usorteret husholdningsaffald. Kontakt din kommune for det nærmeste indsamlingssted.
- Placer apparatet med en minimumsafstand på:
  - 50 cm til ikke-brændbart loft eller tag;
  - 100 cm til brændbart loft eller tag;
  - 50 cm til sidevægge

### El-sikkerhed



*Kontroller altid, at strømforsynings spænding stemmer overens med spændingen på ydelsesskiltet.*

- Brug ikke maskinen, hvis netledningen eller netstikket er beskadiget.
- Brug kun forlængerledninger, der er velegnede til maskinens effekt med en minimumstykkelse på 1,5 mm<sup>2</sup>. Hvis du bruger en forlængerkabelrulle, skal du altid rulle kablet helt ud.

## 2. MASKINOPLYSNINGER

### Tilsigtet brug

Dette produkt er designet som en terrassevarmer i private miljøer. Varmeren er beregnet til private haver og andre udendørsområder i hjemmet. Varmeapparatet må ikke bruges til at opvarme et indendørs rum, som en udendørs rumvarmer uden for hjemmet eller til tørring af tekstiler eller andre materialer. Dette varmelegeme er ikke udstyret med en enhed til at styre rumtemperaturen, så dette varmelegeme må ikke bruges i rum, hvor der opholder sig personer, der ikke er i stand til at forlade rummet på egen hånd, medmindre der er konstant opsyn. Enheden må kun bruges til dens beregnede formål. Enhver anden anvendelse anses for at være misbrug.

### TEKNISKE SPECIFIKATIONER

Model nr.	PH513AC
Spænding	220-240 V ~
Frekvens	50 Hz
Strøm	2000 W
Effektindstillinger	1: 800 W 2: 1200 W 3: 2000 W

Højde	225 cm
Basepladens diameter	Ø 47 cm
Varmeelementets type	Halogen
Opvarmningstid	3-5 sekund
Varmeafstand	3 m
Varmeområde	9 m <sup>2</sup>
Farvetemperatur	3000-3500 K
Vælte-sikkerhedskontakt	Ja
Kapslingsklasse	IPX4
Beskyttelsesklasse	Klasse II
Vægt	14,1kg

### BESKRIVELSE

Tallene i teksten henviser til diagrammerne på side 2-5.

1. Varmer
2. Beskyttelsesrist
3. Tænd/sluk-kontakt
4. Øvre rør
5. Mellemste rør
6. Nedre rør
7. Dæksel
8. Fødder
9. Bundplade
10. Venstre kontakt til/fra
11. Højre kontakt til/fra
12. Strømkabel
13. Kabelforbindelsesboks
14. Kabelholder
15. Basepladens beslag
16. Bolt
17. Møtrik
18. Lang skrue
19. Kort skrue
20. Hylseankre

### 3. MONTERING



*Denne varmer skal installeres af en kompetent person, dvs. en kvalificeret elektriker.*



*Afbryd altid varmeren fra strømforsyningen, og lad den afkøle før installationen.*

### Montering af varmer (fig. B-G)



*Monter altid enheden med det medfølgende tilbehør.*

Før du går i gang med at montere enheden, skal du tage følgende i betragtning:

- Stil enheden på en solid, flad overflade. Enheden må aldrig placeres skævt!
  - Enheden skal placeres på en sådan måde, at der er 100 cm fri plads mellem varmeren og genstanden eller væggen målt forfra eller fra siden. Der skal være mindst 1,80 m mellem gulvet og enhedens underside. Der skal være mindst 30 cm afstand mellem enheden og loftet.
  - Installer ikke varmeren på eller tæt på en brandfarlig overflade.
  - Hvis varmeren skal bruges udenfor, anbefales det i høj grad at anvende en vejrbestandig stikkontakt.
  - Inden du borer, skal du sørge for, at der ikke er ledninger eller vandrør i det område, hvor varmeren skal installeres.
1. Start med at montere det nedre rør (6) på bundpladen (9). Stram boltene (16) og møtrikken (17) som vist på figur B.
  2. Skub dækslet (7) på det nedre rør (6) som vist på figur B. Dette vil skjule boltene (16), så de ikke er synlige.
  3. Sæt enheden og siden, og før strømkablet (12) gennem midten af basepladen (9) og før gennem det nederste rør (6) som vist i figur C.
  4. Tag det midterste rør (5) og før også strømkablet gennem dette rør. Hold fast i det midterste rør (5) og følg næste trin.
  5. Skru nu det midterste rør (5) på det nederste rør (6) i retning med uret, indtil det er stramt. Se figur C.
  6. Tag det øverste rør (4) og før også strømkablet gennem dette rør. Hold fast i det øverste rør (4) og følg næste trin.
  7. Skru nu det øverste rør (4) på det midterste rør (5) i retning med uret, indtil det er stramt. Se figur D.
  8. Placer den monterede baseplade (9) og rør i opretstående position.
  9. Tag nu varmeren (1) og forbind den til strømkablet (12) som vist i figur E.
  10. Sæt kabelforbindelsesboksen (13) på kabelforbindelserne og fold den sammen, som vist

på figur E. Dette vil forsegle kabelforbindelserne og forhindre dem i at løsne sig.

11. Skub den udragende del af varmeren (1) med den korrekt tilsluttede kabelsamling på det øvre rør (4) som vist på figur F.
12. Sørg for, at de to huller på den fremtrædende del af varmeren (1) flugter med hullerne i det øverste rør (4).
13. Fastgør nu varmeren (1) ved at stramme de lange skruer (18) i hullerne af det øverste rør (4) og dermed varmeren.
14. Fastgør strømkablet (12) på basepladen (9) ved hjælp af kabelholderen (14) og de to korte skruer (19). Se figur G.

#### Fastgørelse af varmeren til basen (fig. H)

Det anbefales kraftigt at fastgøre varmeren til jordoverfladen ved at bruge de specialdesignede basepladebeslag (15). Disse beslag forhindrer varmelegemet i at vælte, især når det bruges udenørs, hvor der kan være blæsende forhold. For at montere basepladens beslag:

1. Tag basepladebeslagene (15) og placer dem jævnt fordelt rundt om basepladen (9).
2. Marker nu borehullerne på jordoverfladen gennem hullerne i basepladebeslagene (15).
3. Fjern basepladens beslag og bor huller i de markerede positioner. Brug en borediameter, der svarer til de anvendte hylseankre (20). Bor godt 10 til 15 mm dybere end den forventede indlejring. Sørg for, at hullerne er lige og i nøjagtig samme højde.
4. Rens hullerne for eventuelt snavs, og sæt basepladebeslagene (15) på plads.
5. Få møtrikken til at flugte med toppen af hylseankret (20).
6. Sæt hylseankeret (20) ind i hullet i gulvmaterialet. Brug en hammer til at indsætte hylseankret langt nok ind til skiven og møtrikken er tæt mod gulvmaterialet.
7. Sæt nu basepladen (15) på hylseankret (11), og monter det ved hjælp af skiven og møtrikken. Drej møtrikken, til den er fingerstram.
8. Brug en skruenøgle til at indstille ankeret ved at dreje møtrikken tre til fire hele omdrejninger.
9. Monter de resterende 2 basepladebeslag (15).

## 4. BETJENING



**ADVARSEL.** Før hver brug skal du kontrollere, at: dine hænder er tørre, før du betjener

*enheden, enheden er ren og tør, enheden er ikke beskadiget, enheden er korrekt samlet og sikkert monteret på gulvet.*

#### Tænd og sluk samt justering af strømniveauet (fig. A)

Varmeren kan kun tændes og slukkes ved hjælp af tænd/sluk-kontakten (3). Varmelegemet er udstyret med to kontakter til ikke kun at tænde eller slukke for enheden, men også justere strømiveauet med tre forskellige indstillinger:

- Venstre kontakt til/fra (10) er tændt (I), højre kontakt til/fra (11) er slukket (O):  
Niveau 1 - 800W
- Venstre kontakt til/fra (10) er slukket (O), højre kontakt til/fra (11) er tændt (I):  
Niveau 2 - 1200W
- Venstre kontakt til/fra (10) er tændt (I), højre kontakt til/fra (11) er tændt (I):  
Niveau 3 - 2000W

#### Vælte-sikkerhedskontakt (fig. A)

Denne varmer er udstyret med en vælte-sikkerhedskontakt. I tilfælde af at varmeren vælter, slukker den automatisk.

Vær opmærksom på, når varmeren anbringes i dens opretstående position, bliver varmfunktionen ikke startet omgående igen. Sluk den først (læs 'Tænd/sluk'), fjern stikket fra stikdåsen og kontrollér varmeren for beskadigelser. Må ikke anvendes i tilfælde af beskadigelser eller fejlfunktion, men skal kontrolleres/reparereres. Hvis der ikke forekommer beskadigelser, kan du tænde varmeren igen (læs 'tænd/sluk').

## 5. VEDLIGEHOLDELSE



*Sørg altid for, at maskinen ikke er sluttet til elnettet, når du udfører vedligeholdelse af mekanismen.*



**FORSIGTIG:** Risiko for elektrisk stød. Du må IKKE åbne eller selv prøve at reparere varmeren.

Rengør maskinbeklædningerne regelmæssigt med en blød klud, helst efter hver anvendelse. Sørg for, at der ikke er støv eller snavs i ventilationsåbningerne. Fjern snavs, der sidder meget godt fast, med en blød klud, der er fugtet i sæbevand. Brug ikke opløsningsmidler, som f.eks.

benzin, sprit, ammoniak osv. Kemikalier som disse beskadiger de syntetiske komponenter.

- Brug IKKE alkohol, benzin, slibepulver, møbelvoks eller ru børster til at rengøre varmeren. Dette kan forårsage beskadigelse eller forringelse af varmerens overflade.
- Nedsæk IKKE varmeren i vand.
- Vent, til varmeren er helt tør, inden brug.

#### VIGTIGT:

- Afbryd altid varmeren fra strømforsyningen, og lad den afkøle, før du forsøger at rengøre den.
- Hvis varmeren har samlet støv eller snavs inde i enheden eller omkring varmelegemet, skal enheden rengøres af en kvalificeret servicetekniker. Betjen ikke varmeren i denne tilstand.
- Den eneste vedligeholdelse, der kræves, er rengøring af varmelegemets udvendige overflader.
- Rør ikke ved varmelegemet med bare fingre, da rester fra din hånd kan påvirke pærens levetid. Hvis du utilsigtet kommer til at røre ved det, skal du fjerne fingeraftrykene med en blød klud fugtet med alkohol eller sprit med menthol.
- Forsøg ikke at reparere eller justere elektriske eller mekaniske funktioner på denne varmer.
- Varmeren indeholder ingen dele, der kan repareres af brugeren. Skulle produktet blive beskadiget eller gå i stykker, skal det leveres tilbage til producenten eller dets serviceagent.
- Beskadigede forsyningsledninger skal udskiftes af producenten, serviceagenten eller en lignende kvalificeret person for at undgå farer.

#### Opbevaring

Opbevar varmeren et tørt og køligt sted, når den ikke er i brug, for at forhindre ophobning af støv og snavs. Brug emballagekarton til opbevaring.

#### Fejlfinding

Hvis varmeren ikke virker, bedes du kontrollere følgende, inden du anmoder om reparation eller service:

- Kontrollér, om nedledningen er sluttet til en stikkontakt, og hvis ikke, skal den tilsluttes.
- Kontrollér, om elektriciteten til hovedsikringen virker.
- Sørg for, at strømkontakterne er tændt, og hvis ikke, skal du vælge en indstilling.

## MILJØ



*Defekte og/eller bortskaffede elektriske og elektroniske apparater skal afleveres på en passende genbrugsstation.*

#### Kun for lande i EU

Maskinværktøj må ikke bortskaffes sammen med husholdningsaffald. Ifølge EC-direktiv 2012/19/EU om affald af elektrisk og elektronisk udstyr og dets gennemførelse i den nationale lovgivning skal maskinværktøjer, der ikke længere anvendes, afleveres separat og bortskaffes på en miljøvenlig måde.

## GARANTI

VONROC-produkter er udviklet til de højeste kvalitetsstandarder og er garanteret fri for defekter i både materialer og udførelse i den periode, der er retsligt angivet fra datoen for det originale køb. Hvis produktet skulle udvikle fejl i denne periode på grund af defekt materiale og/eller udførelse, bedes du kontakte VONROC direkte.

Følgende omstændigheder er udelukket fra denne garanti:

- Uautoriserede servicecentre har foretaget eller gjort forsøg på at foretage reparationer og/eller ændringer på maskinen;
- Normal slitage;
- Værktøjet er blevet misbrugt, brugt forkert eller ikke passende vedligeholdt;
- Der er anvendt ikke-originale reservedele.

Dette udgør den eneste garanti, virksomheden har givet, enten udtrykt eller underforstået. Der er ingen andre garantier, udtrykt eller underforstået, som strækker sig ud over denne, herunder de underforståede garantier for salgbarhed og egnethed til et bestemt formål. Under ingen omstændigheder skal VONROC holdes ansvarlig for tilfældige skader eller følgeskader. Forhandlerens retsmidler skal være begrænset til reparation eller udskiftning af enheder eller dele, der ikke overholder kravene.

**Produktet og brugervejledningen er genstand for ændringer. Specifikationer kan ændres uden yderligere varsel.**

## 1. INSTRUKCJĘ DOTYCZĄCĄ BEZPIECZEŃSTWA

Przeczytać dołączone ostrzeżenia dotyczące bezpieczeństwa, dodatkowe ostrzeżenia dotyczące bezpieczeństwa oraz instrukcję. Nieprzestrzeganie ostrzeżeń dotyczących bezpieczeństwa oraz instrukcji może prowadzić do porażenia prądem, pożaru i/lub poważnych obrażeń ciała. Zachować ostrzeżenia dotyczące bezpieczeństwa oraz instrukcje na przyszłość.

Następujące symbole są umieszczone w instrukcji obsługi lub na produkcie:



*Przeczytać instrukcję obsługi.*



*Oznacza ryzyko obrażeń ciała, śmierci lub uszkodzenia grzejnika w razie nieprzestrzegania poleceń z instrukcji.*



*Ryzyko porażenia prądem.*



*Ostrożnie: gorąca powierzchnia!*



*Nie przykrywać urządzenia.*



*Symbol uziemienia. Niniejsze urządzenie zostało sklasyfikowane jako urządzenie klasy I i musi zostać podłączone do uziemionego gniazdka zasilania.*



*Produkt spełnia wymagania odpowiednich norm bezpieczeństwa podanych w dyrektywach UE.*

### OGÓLNE OSTRZEŻENIA DOTYCZĄCĄ BEZPIECZEŃSTWA

#### DOKŁADNIE PRZECZYTAĆ INSTRUKCJĘ I ZACHOWAĆ JĄ NA PRZYSZŁOŚĆ.

**Producent nie ponosi odpowiedzialności za szkody spowodowane nieprzestrzeganiem tej instrukcji.**

To urządzenie może być używane przez dzieci w wieku od 8 lat i osoby z ograniczonymi zdolnościami fizycznymi, czuciowymi lub umysłowymi lub nieposiadające doświadczenia i wiedzy, jeśli znajdują się one pod nadzorem lub zostały przeszkolone z bezpiecznego użytkowania urządzenia i rozumieją związane z tym zagrożenia. Dzieciom nie wolno pozwalać

bawić się urządzeniem. Dzieciom bez nadzoru nie wolno przeprowadzać czyszczenia i konserwacji urządzenia.

Nie pozwalać zbliżać się do urządzenia dzieciom w wieku poniżej 3 lat, jeśli nie znajdują się pod stałym nadzorem. Dzieciom w wieku od 3 lat i poniżej 8 lat wolno włączać/wyłączać urządzenie, tylko jeśli urządzenie zostało ustawione lub zainstalowane w normalnym położeniu roboczym zgodnie z przeznaczeniem i tylko jeśli dzieci znajdują się pod nadzorem lub zostały nauczone obsługi urządzenia w bezpieczny sposób i rozumieją związane z tym zagrożenia. Dzieciom w wieku od 3 lat i poniżej 8 lat nie wolno podłączać urządzenia do zasilania, regulować go, czyścić ani wykonywać czynności konserwacji dopuszczalnej dla użytkownika.

**UWAGA — niektóre elementy tego produktu mogą stać się bardzo gorące i spowodować oparzenia. Należy zwracać szczególną uwagę na przebywające w pobliżu dzieci i osoby niepełnosprawne.**

### WAŻNE INSTRUKCJE DOTYCZĄCĄ BEZPIECZEŃSTWA

PRZECZYTAĆ UWAGAŃNIE - Grzejnik na podczerwień został zaprojektowany tak, aby zapewnić bezpieczną pracę. Mimo tego, instalacja, konserwacja i obsługa grzejnika może być niebezpieczna. Przestrzeganie poniższych procedur ograniczy ryzyko pożaru, porażenia prądem, obrażeń ciała osób oraz pozwoli maksymalnie skrócić czas instalacji. Zachować tę instrukcję na przyszłość.

- Przeczytać instrukcję w całości przed rozpoczęciem korzystania z grzejnika.
- Wyjąć urządzenie z opakowania i sprawdzić, czy jest w dobrym stanie przed rozpoczęciem eksploatacji.
- Nie pozwalać dzieciom bawić się elementami opakowania (jak torby plastikowe).
- Sprawdzić napięcie w instalacji domowej, aby dopilnować, że jest zgodne z parametrami znamionowymi zasilania grzejnika.
- Sprawdzić kabel i wtyczkę zasilania dokładnie przed użyciem, aby dopilnować, że nie są uszkodzone.
- Przed odłączeniem wtyczki kabla zasilania

- koniecznie wyłączyć zasilanie. Włączać urządzenie wyłącznie suchymi rękami, aby uniknąć porażenia prądem.
- Używać grzejnika ogrodowego tylko na wolnym powietrzu lub na dużej i otwartej przestrzeni. Trzymać łatwopalne przedmioty, jak plandeki, parasole, gałęzie, meble, zasłony, papier itp. z dala od urządzenia (co najmniej w odstępnie 1 metra, jeśli są to przedmioty ruchome!). Zachować odstęp co najmniej 1 metra od ścian. Spód grzejnika musi znajdować się co najmniej 180 cm nad podłożem. W przypadku umieszczenia urządzenia pod dachem, musi być zapewniony odstęp co najmniej 50 cm między górną powierzchnią kłosa grzejnika a (niepalnym) sufitem. Jeśli dach jest palny (wykonany z drewna, tworzywa sztucznego, brezentu itp.), odstęp musi wynosić co najmniej 1 metr. Zawsze zapewniać dobrą wentylację!
  - Nie umieszczać urządzenia bezpośrednio nad lub pod gniazdkiem ściennym (nie w jego bezpośredniej bliskości).
  - Grzejnik ogrodowy jest przeznaczony wyłącznie do użytku domowego. Dlatego nie należy używać go na placach budowy, w szklarniach, stodołach lub straganach itp., nawet jeśli są to przestrzenie w znacznym stopniu otwarte. Zwykle w takich miejscach znajduje się za dużo materiałów palnych.
  - Nie używać tego grzejnika ogrodowego do ogrzewania sauny ani jako trwałego sposobu ogrzewania pokoju lub przestrzeni.
  - Nie używać tego grzejnika ogrodowego w psiej budzie ani innych miejscach, w których znajdują się zwierzęta.
  - Nie używać w pobliżu ani w bezpośrednim sąsiedztwie wanny, basenu lub źródła ciepłej wody. Mimo tego, że urządzenie jest odporne na rozbryzgi wody, w jego pobliżu należy ostrożnie obchodzić się z wodą. Dopilnować, aby urządzenie nie mogło wpaść do wody i nie narażać go na silne strumienie wody. Nie dotykać urządzenia mokrymi rękami i nie stawiać go w bezpośrednim pobliżu wanny, umywalki, basenu ani innego zbiornika z wodą lub źródła wody, ponieważ jest to niebezpieczne.
  - Aby chronić się przed porażeniem prądem, nie zanurzać kabla ani wtyczki w wodzie ani innej cieczy.
  - Nie wkładać ani nie pozwalać na wpadanie ciała obcych do otworów wentylacyjnych ani wylotowych, ponieważ może to spowodować porażenie prądem, pożar lub uszkodzenie grzejnika.
  - Zapewnić odpowiednie oświetlenie. Włączniki na urządzeniu muszą być prawidłowo widoczne z odległości 1 metra.
  - Zawsze odłączać grzejnik od zasilania, gdy nie jest w użytku. Nigdy nie pozostawiać włączonego urządzenia bez nadzoru, tylko wyłączając je i odłączając od zasilania. Nie używać urządzenia w połączeniu z wyłącznikiem (programatorem) czasowym lub innym urządzeniem, które automatycznie włącza urządzenie.
  - Nie używać grzejnika z zewnętrznym regulatorem napięcia, takim jak ściemniacz światła, regulator prędkości itp. Powoduje to zagrożenie elektryczne.
  - Dopilnować, aby kabel nie leżał na (ostrzych) krawędziach, nie był silnie zagięty i nie dotykał gorącej powierzchni. Nie owijać kabla wokół urządzenia.
  - Nie pozwalać, aby kabel zwisał z blatu, gdzie może zostać łatwo pociągnięty przez dziecko.
  - Nie wkładać palców ani ciała obcych w kratkę grzejnika podczas jego pracy.
  - Nie pozostawiać włączonego urządzenia bez nadzoru.
  - Ten grzejnik nie jest przeznaczony do użytku w łazienkach, pralniach itp. miejscach w pomieszczeniach. Nigdy nie ustawiać grzejnika w miejscu, z którego mógłby wpaść do wanny lub innego zbiornika z wodą.
  - Nie ponosimy odpowiedzialności za żadne szkody spowodowane nieprzestrzeganiem tej instrukcji, niewłaściwym użytkowaniem urządzenia i nieprawidłowym obchodzeniem się z urządzeniem.
  - To urządzenie może być używane przez dzieci w wieku od 8 lat i osoby z ograniczonymi zdolnościami fizycznymi, czuciowymi lub umysłowymi lub nieposiadające doświadczenia i wiedzy, jeśli znajdują się one pod nadzorem lub zostały przeszkolone z bezpiecznego użytkowania urządzenia i rozumieją związane z tym zagrożenia. Dzieciom nie wolno pozwalać bawić się urządzeniem. Dzieciom bez nadzoru nie wolno przeprowadzać czyszczenia i konserwacji urządzenia.
  - Jeśli w urządzeniu z jakiegokolwiek powodu pojawiają



się pęknięcia lub w przypadku stwierdzenia niedoskonałości lub przerw w aluminiowej obudowie lub innej części, niezwłocznie zaprzestać eksploatacji urządzenia i wyjąć jego wtyczkę zasilania z gniazdka.

- Jeśli kabel zasilania jest w jakikolwiek sposób uszkodzony, musi go wymienić producent, jego przedstawiciel serwisowy lub podobnie, odpowiednio wykwalifikowana osoba, aby uniknąć zagrożenia.
- Aby zapobiec przegrzaniu tego urządzenia, utrzymywać wloty i wyloty powietrza czyste i wolne od wszelkich przedmiotów, które mogłyby powodować zatory. Sprawdzając wszystkie wloty i wyloty od czasu do czasu, aby zagwarantować, że są wolne od wszelkich zanieczyszczeń i nagromadzonego pyłu. NIE ZASŁANIAĆ. Etykieta ostrzegająca przed zasłanianiem urządzenia musi również zostać umieszczona w widocznym miejscu po instalacji. Oznacza to, że nie wolno jej umieszczać z tyłu urządzenia.
- Części grzejnika mogą nagrzewać się do temperatury powyżej 200°C. Dotknięcie rurki grzejnej, reflektora lub części metalowych w pobliżu rurki grzejnej może spowodować poważne OPARZENIA. Aby uniknąć oparzeń, nie dotykać gorącej powierzchni nieosłoniętej skórą.
- NIGDY nie kłaść rąk pod elementami grzejnymi. ZAWSZE pozwalać elementowi grzejnemu ostygnąć przez co najmniej 10 minut przed dotknięciem rurki grzejnej lub sąsiednich części.
- Nie przechowywać żadnych palnych cieczy ani materiałów, jak farba, benzyna, zbiorniki z gazem itp. w bezpośrednim pobliżu urządzenia. Nie używać urządzenia w palnym otoczeniu, np. w pobliżu zbiorników z łatwopalnym gazem, rur z gazem, pojemników ciśnieniowych lub puszek z gazem w sprayu. Ryzyko wybuchu i pożaru!
- Ten produkt zawiera materiały nadające się do recyklingu. Nie wyrzucać produktu wraz ze zmieszanyimi odpadami z gospodarstw domowych. Proszę skontaktować się z lokalnymi władzami w celu uzyskania informacji o najbliższym punkcie zbiórki selektywnej.
- Umieścić urządzenie w odległości co najmniej:
  - 50 cm od niepalnego sufitu lub dachu,
  - 100 cm od palnego sufitu lub dachu,
  - 50 cm od ścian po bokach

## Bezpieczeństwo elektryczne



*Zawsze sprawdzać, czy napięcie źródła zasilania jest zgodne z napięciem podanym na tabliczce znamionowej.*

- Nie używać urządzenia, jeśli jego kabel zasilający jest uszkodzony lub wtyczka kabla zasilającego jest uszkodzona.
- Używać wyłącznie przedłużaczy przystosowanych do pracy z parametrami zasilania urządzenia o minimalnej grubości 1,5 mm<sup>2</sup>. W przypadku korzystania z przedłużacza w zwoju, zawsze całkowicie rozwinąć zwoj.

## 2. INFORMACJE O URZĄDZENIU

### Przeznaczenie

Ten produkt jest przeznaczony do użytku jako grzejnik ogrodowy w środowisku domowym. Grzejnik jest przeznaczony do użytku w prywatnych ogrodach i innych miejscach na wolnym powietrzu w zastosowaniach domowych. Grzejnika nie wolno używać do ogrzewania pomieszczeń, jako zewnętrznego grzejnika w zastosowaniach innych niż domowe ani do suszenia tkanin lub innych materiałów. Ten grzejnik nie jest wyposażony w urządzenie regulujące temperaturę w pomieszczeniu, dlatego nie wolno używać go w przestrzeniach, w których znajdują się osoby niepotrafiące samodzielnie opuścić pomieszczenia, chyba że znajdują się pod stałym nadzorem. Urządzenia wolno używać wyłącznie zgodnie z jego przeznaczeniem. Wszelkie inne użytkowanie jest uznawane za niezgodne z przeznaczeniem i niedozwolone.

### DANE TECHNICZNE

Nr modelu	PH513AC
Napięcie	220-240 V ~
Częstotliwość	50 Hz
Moc	2000 W
Ustawienia mocy	1: 800 W 2: 1200 W 3: 2000 W
Wysokość	225 cm
Średnica płyty podstawy	Ø 47 cm
Typ elementu grzejnego	Halogenowy

Czas ogrzewania	3-5 sekunda
Odległość ogrzewania	3 m
Ogrzewana powierzchnia	9 m <sup>2</sup>
Temperatura barwowa	3000-3500 K
Wyłącznik bezpieczeństwa po przewróceniu	Tak
Stopień ochrony	IPX4
Klasa ochrony	Klasa I
Ciężar	14,1 kg

### OPIS

Liczby w tekście odnoszą się do rysunków na stronach 2-5.

1. Grzejnik
2. Kratka ochronna
3. Włącznik
4. Górna rura
5. Środkowa rura
6. Dolna rura
7. Pokrywa
8. Nóżki
9. Płyta podstawy
10. Lewy włącznik
11. Prawy włącznik
12. Kabel zasilania
13. Skrzynka złączy kabla
14. Uchwyt kabla
15. Wspornik płyty podstawy
16. Śruba
17. Nakrętka
18. Długa śruba
19. Krótka śruba
20. Kotwa tulejowa

### 3. MONTAŻ



*Ten grzejnik musi zainstalować odpowiednio wykwalifikowana osoba, tzn. wykwalifikowany elektryk.*



*Zawsze odłączać grzejnik od zasilania elektrycznego i poczekać aż ostygnie przed instalacją.*

### Montaż grzejnika (rys. B-G)



*Zawsze montować urządzenie z użyciem dołączonych akcesoriów.*

Przed rozpoczęciem montażu urządzenia uwzględnić poniższe wymogi:

- Postawić urządzenie do wytrzymałej i równej powierzchni. Urządzenia nie wolno nigdy stawiać pod kątem!
- Urządzenie należy umieścić tak, aby zapewnić 100 cm wolnego miejsca między grzejnikiem a jakimkolwiek obiektem lub ścianą, mierząc od przodu lub boku. Musi występować odstęp co najmniej 1,80 m między podłożem a spodem urządzenia. Musi występować odstęp co najmniej 30 cm między urządzeniem a sufitem.
- Nie instalować grzejnika w pobliżu powierzchni palnej ani na takiej powierzchni.
- Jeśli grzejnik ma być użytkowany na wolnym powietrzu, zdecydowanie zalecamy użycie gniazdka odporne na działanie warunków atmosferycznych.
- Przed rozpoczęciem wiercenia dopilnować, aby w miejscu instalacji grzejnika nie znajdowały się żadne przewody ani rury wodne.

1. Najpierw przymocować dolną rurę (6) na płycie podstawy (9). Dokręcić śrubę (16) i nakrętkę (17) zgodnie z rysunkiem B.
2. Wsunąć pokrywę (7) na dolną rurę (6) zgodnie z rysunkiem B. Spowoduje to ukrycie śrub (16).
3. Położyć zmontowany dotychczas zespół i poprowadzić kabel zasilania (12) przez środek płyty podstawy (9) i przez dolną rurę (6) zgodnie z rysunkiem C.
4. Chwycić środkową rurę (5) i przełożyć kabel zasilania również przez tę rurę. Trzymać środkową rurę (5) i wykonać następną czynność.
5. Teraz nakręcić środkową rurę (5) na dolną rurę (6), obracając ją do oporu zgodnie ze wskazówkami zegara. Patrz rysunek C.
6. Chwycić górną rurę (4) i przełożyć kabel zasilania również przez tę rurę. Trzymać górną rurę (4) i wykonać następną czynność.
7. Teraz nakręcić górną rurę (4) na środkową rurę (5), obracając ją do oporu zgodnie ze wskazówkami zegara. Patrz rysunek D.
8. Ustawić zmontowaną płytę podstawy (9) i rury pionowo.

9. Teraz chwycić grzejnik (1) i podłączyć go do kabla zasilania (12) zgodnie z rysunkiem E.
10. Założyć skrzynkę złączy kabla (13) na złącza kabla i złożyć ją do pozycji zamkniętej zgodnie z rysunkiem E. Spowoduje to szczelne zaciśnięcie złączy kabla i będzie zapobiegać ich poluzowaniu.
11. Wsunąć wystającą część grzejnika (1) z prawidłowo podłączonym kablem na górną rurę (4) zgodnie z rysunkiem F.
12. Dopilnować, aby oba otwory w wystającej części grzejnika (1) były dopasowane do otworów w górnej rurze (4).
13. Teraz unieruchomić grzejnik (1), dokręcając długie śruby (18) w otworach górnej rury (4) i grzejnika.
14. Przymocować kabel zasilania (12) na płycie podstawy (9) za pomocą uchwytu kabla (14) i dwóch krótkich śrub (19). Patrz rysunek G.

#### Mocowanie podstawy grzejnika (rys. H)

Zdecydowanie zaleca się przymocowanie grzejnika do podłoża za pomocą specjalnie do tego przeznaczonych wsporników płyty podstawy (15). Te wsporniki zapobiegają przewróceniu się grzejnika, szczególnie podczas jego użytkowania na wolnym powietrzu, gdzie może występować silny wiatr. Aby zamocować wsporniki płyty podstawy:

1. Chwycić wsporniki płyty podstawy (15) i rozstawić je w równych odstępach wokół płyty podstawy (9).
2. Teraz oznaczyć miejsca wywiercenia otworów w podłożu poprzez otwory we wspornikach płyty podstawy (15).
3. Usunąć wsporniki płyty podstawy i wywiercić otwory w wyznaczonych miejscach. Użyć wiertła o średnicy dopasowanej do rozmiaru używanych kotew tulejowych (20). Wykonać otwór o głębokości o około 10 do 15 mm większej od oczekiwanej głębokości osadzenia kotew. Dopilnować, aby otwory były ustawione na jednym poziomie i na identycznej wysokości.
4. Oczyszczyć otwory z wszelkich resztek i zamontować wsporniki płyty podstawy (15) na miejsce.
5. Wkręcić nakrętkę tak, aby dotykała górnej powierzchni kotwy tulejowej (20).
6. Włożyć kotwę tulejową (20) w otwór w podłożu. Za pomocą młotka wbijać kotwę tulejową na tyle głęboko, aby podkładka i nakrętka ciasno przylegały do podłoża.

7. Teraz umieścić wspornik płyty podstawy (15) na tulei kotwowej (11) i zamocować go z użyciem podkładki i nakrętki. Dokręcić nakrętkę do oporu ręcznie.
8. Użyć klucza do zamontowania kotwy, obracając nakrętkę o trzy do czterech pełnych obrotów.
9. Zamontować pozostałe 2 wsporniki płyty podstawy (15).

## 4. OBSŁUGA



**OSTRZEŻENIE.** *Przed każdym użyciem, sprawdzić, czy: ma się suche dłonie przed rozpoczęciem obsługi urządzenia, urządzenie jest czyste i suche, urządzenie nie jest uszkodzone, urządzenie jest prawidłowo zmontowane i bezpiecznie przymocowane do podłoża.*

#### Włączanie/wyłączanie oraz regulacja poziomu mocy (rys. A)

Grzejnik można włączać i wyłączać włącznikiem (3). Grzejnik jest wyposażony w dwa włączniki, które służą nie tylko do włączania i wyłączania urządzenia, ale również do regulacji poziomu mocy z wykorzystaniem trzech ustawień:

- Lewy włącznik (10) w położeniu wyłączonym (I), prawy włącznik (11) w położeniu wyłączonym (O): Poziom 1 - 800 W
- Lewy włącznik (10) w położeniu wyłączonym (O), prawy włącznik (11) w położeniu włączonym (I): Poziom 2 - 1200 W
- Lewy włącznik (10) w położeniu włączonym (I), prawy włącznik (11) w położeniu włączonym (I): Poziom 3 - 2000 W

#### Wyłącznik bezpieczeństwa po przewróceniu (rys. A)

Ten grzejnik jest wyposażony w wyłącznik bezpieczeństwa po przewróceniu. W przypadku przewrócenia grzejnika, grzejnik wyłączy się automatycznie.

Zwróć uwagę, że po ponownym postawieniu grzejnika w pionie, grzejnik nie wznowi natychmiast pracy. Najpierw należy go wyłączyć (patrz „włączanie/wyłączanie”), wyjąć wtyczkę zasilania z gniazdka, po czym sprawdzić, czy grzejnik nie jest uszkodzony. W przypadku uszkodzenia lub błędnego działania nie używać grzejnika, lecz przekazać go do kontroli/naprawy. Jeśli nie ma uszkodzeń, można po prostu ponownie włączyć grzejnik (patrz „włączanie/wyłączanie”).

## 5. KONSERWACJA



*W trakcie przeprowadzania czynności konserwacyjnych części mechanicznych urządzenie musi być odłączone od zasilania.*



**PRZESTROGA:** Ryzyko porażenia prądem. **NIE otwierać ani nie próbować naprawiać grzejnika własnoręcznie.**

Czyścić obudowę urządzenia regularnie miękką ściereczką, najlepiej po każdym użyciu. Dopilnować, aby otwory wentylacyjne były wolne od pyłu, kurzu i zabrudzeń. Usuwać odporne zabrudzenia miękką ściereczką zwilżoną mydlinami. Nie używać żadnych rozpuszczalników, takich jak benzyna, alkohol, amoniak itp. Takie substancje chemiczne spowodują uszkodzenie części z tworzyw sztucznych.

- NIE używać alkoholu, benzyny, ściernych proszków, środków do polerowania mebli ani szorstkich szcetek do czyszczenia grzejnika. Może to spowodować uszkodzenie lub pogorszenie stanu powierzchni grzejnika.
- NIE zanurzać grzejnika w wodzie.
- Przed użyciem poczekać, aż grzejnik całkowicie wyschnie.

### UWAGA:

- Zawsze odłączać grzejnik od zasilania elektrycznego i poczekać aż ostygnie przed jego czyszczeniem.
- Jeśli w grzejniku lub wokół elementu grzejnego zgromadził się kurz lub inne zanieczyszczenia, zlecić czyszczenie urządzenia w serwisie. Nie używać grzejnika w takim stanie.
- Jedyne wymagane czynności konserwacyjne to czyszczenie zewnętrznych powierzchni grzejnika.
- Nie dotykać elementów grzejnych gołymi rękami, ponieważ osady znajdujące się na skórze mogą mieć negatywny wpływ na trwałość lampy. W razie przypadkowego dotknięcia usunąć ślady palców miękką ściereczką zwilżoną alkoholem lub spirytusem metylowanym.
- Nie podejmować prób naprawy lub regulacji elementów elektrycznych lub mechanicznych tego grzejnika.
- Grzejnik nie zawiera żadnych części, które mogłyby naprawiać użytkownik. Jeśli wystąpi

uszkodzenie lub awaria urządzenia, zwrócić je do producenta lub jego przedstawiciela serwisowego.

- Jeśli kabel zasilania jest uszkodzony, musi go wymienić producent, jego przedstawiciel serwisowy lub podobnie, odpowiednio wykwalifikowana osoba, aby uniknąć zagrożenia.

### Przechowywanie

Przechowywać grzejnik w chłodnym i suchym miejscu, gdy nie jest w użytku, aby chronić go przed osadzeniem się zanieczyszczeń i kurzu. Przechowywać grzejnik w kartonie, w jakim został dostarczony.

### Rozwiązywanie problemów

Jeśli grzejnik nie działa, sprawdzić poniższe rozwiązania przed zleceniem naprawy lub przeglądu:

- Sprawdzić, czy kabel zasilania jest podłączony do gniazdka zasilania. Jeśli nie jest, podłączyć go.
- Sprawdzić, czy zasilanie dochodzi do głównego bezpiecznika.
- Sprawdzić, czy wyłączniki zasilania są ustawione w położenie włączenia. Jeśli nie, ustawić je odpowiednio.

## ŚRODOWISKO



*Uszkodzone i/lub niepotrzebne urządzenia elektryczne lub elektroniczne podlegają zbiórce w odpowiednich punktach recyklingu.*

### Tylko kraje WE

Nie wyrzucać elektronarzędzi wraz z odpadami z gospodarstw domowych. Zgodnie z dyrektywą 2012/19/WE dotyczącą zużytych urządzeń elektrycznych i elektronicznych oraz jej wdrożeniem do prawodawstwa krajowego, elektronarzędzia, które już nie nadają się do użytku, podlegają oddzielnej zbiórce oraz utylizacji w sposób przyjazny dla środowiska.

## GWARANCJA

Produkty VONROC są wytwarzane zgodnie z najwyższymi standardami jakości i producent udziela gwarancji na wady materiałowe i wady

wykonania na okres wymagany prawem, licząc od dnia zakupu. Jeśli wystąpi usterka produktu w tym okresie spowodowana wadą materiałową i/lub wadą wykonania, proszę bezpośrednio skontaktować się ze sprzedawcą VONROC.

Następujące okoliczności powodują unieważnienie gwarancji:

- Przeprowadzono naprawy lub modyfikacje narzędzia w serwisie innym lub autoryzowany lub podjęto ich próbę,
- Normalne zużycie,
- Narzędzie było używane niezgodnie z przeznaczeniem, źle z nim się obchodzono lub było nieprawidłowo konserwowane,
- Użyto części zamiennych innych niż oryginalne.

Niniejsza gwarancja to wyłączna gwarancja producenta i nie obowiązują żadne inne wyrażone ani dorozumiane gwarancje. Nie obowiązują żadne inne wyrażone ani dorozumiane gwarancje o zakresie przekraczającym niniejszą gwarancję, co obejmuje dorozumiane gwarancje przydatności do sprzedaży i przydatności do określonego celu. W żadnym przypadku firma VONROC nie ponosi odpowiedzialności za straty przypadkowe lub wynikowe. Zadośćuczynienie sprzedawcy jest ograniczone do naprawy lub wymiany niezgodnych urządzeń lub części.

**Produkt i instrukcja obsługi podlegają zmianom.**

**Dane techniczne podlegają zmianom bez uprzedzenia.**

## 1. INSTRUCȚIUNI DE SIGURANȚĂ

Citiți avertizările de siguranță, avertizările de siguranță suplimentare și instrucțiunile. Nerespectarea avertizărilor de siguranță poate cauza producerea de electrocutări, incendii și/sau răniri grave. Păstrați avertizările de siguranță și instrucțiunile pentru referințe viitoare.

În manualul de utilizare sau pe produs se utilizează următoarele simboluri:



*Citiți manualul de utilizare.*



*Indică riscul de rănire personală, pierderea vieții sau deteriorarea încălzitorului în cazul în care nu se respectă instrucțiunile din acest manual.*



*Pericol de electrocutare.*



*Atenție! Suprafață fierbinte!*



*Nu acoperiți aparatul.*



*Simbol de împământare. Acest aparat este clasificat în clasa de protecție I și trebuie conectat la o priză de rețea cu împământare.*



*Produsul este în conformitate cu standardele de siguranță aplicabile din directivele europene.*

### AVERTISMENTE GENERALE DE SIGURANȚĂ ACESTE INSTRUCȚIUNI TREBUIE CITITE CU ATENȚIE ȘI PĂSTRATE PENTRU CONSULTARE VIITOARE.

**Producătorul nu poate fi tras la răspundere pentru daunele cauzate de nerespectarea acestor instrucțiuni.**

Acest aparat poate fi utilizat de copiii peste 8 ani și de către persoane cu capacități fizice, senzoriale sau mentale reduse sau de către persoane lipsite de experiență și cunoștințe dacă acestea au fost supravegheate și instruite cu privire la utilizarea aparatului în condiții de siguranță și înțeleg riscurile pe care le implică. Copii nu au voie să se joace cu echipamentul. Curățarea și operațiunile de întreținere nu trebuie efectuate de copii fără supraveghere.

Copiii cu vârsta mai mică de 3 ani trebuie ținuti la distanță, cu excepția cazului în care sunt continuu supravegheați. Copiii cu vârste cuprinse între 3 ani și mai puțin de 8 ani trebuie să pornească/oprească aparatul numai cu condiția ca acesta să fie poziționat sau instalat în poziția normală de funcționare prevăzută și dacă supravegheați sau au primit instrucțiuni privind utilizarea aparatului în condiții de siguranță și dacă înțeleg pericolele implicate. Copiii cu vârsta cuprinsă între 3 și 8 ani nu trebuie să conecteze, să regleze și să curețe aparatul sau să efectueze întreținerea acestuia.

**ATENȚIE— unele părți ale acestui produs pot deveni foarte fierbinți și pot provoca arsuri. O atenție specială trebuie acordată acolo unde sunt prezenți copiii și persoanele vulnerabile.**

### INSTRUCȚIUNI DE SIGURANȚĂ IMPORTANTE

**CITIȚI CU ATENȚIE** - Încălzitorul cu infraroșu este conceput pentru utilizarea în siguranță. Cu toate acestea, instalarea, întreținerea și funcționarea încălzitorului pot fi periculoase. Respectarea următoarelor proceduri va reduce riscul de incendiu, electrocutare, vătămarea persoanelor și va reduce timpul de instalare la minimum. Păstrați aceste instrucțiuni pentru utilizări viitoare.

- Citiți toate instrucțiunile înainte de a utiliza acest încălzitor.
- Scoateți unitatea din ambalaj și verificați dacă este în stare bună înainte de utilizare.
- Nu lăsați copiii să se joace cu componentele ambalajului (cum ar fi pungii de plastic).
- Verificați tensiunea din casă pentru a vă asigura că aceasta corespunde specificațiilor nominale ale încălzitorului.
- Verificați cu atenție cablul de alimentare și fișa înainte de utilizare, pentru a vă asigura că acestea nu sunt deteriorate.
- Înainte de a deconecta cablul de alimentare, asigurați-vă că opriți alimentarea; atunci când alimentați unitatea, asigurați-vă că mâinile dvs. sunt uscate pentru a preveni electrocutarea.
- Utilizați radiatorul terasei numai în aer liber sau într-un spațiu deschis. Țineți toate obiectele inflamabile precum prelate, umbrele de soare, crengi, mobilier, perdele, hârtie etc. la distanță de aparat (cel puțin 1 metru, de asemenea, dacă sunt și obiecte mobile!). Distanța până la pereți trebuie să fie de cel puțin 1 metru. Capul de încălzire trebuie să fie situat la cel puțin 180 cm deasupra solului. Dacă așezați aparatul sub un acoperiș, trebuie să existe un spațiu de cel puțin 50 cm între capacul radiatorului de terasă și plafon (neinflamabil). În cazul unui acoperiș inflamabil (lemn, plastic, prelată etc.) această distanță trebuie să fie de cel puțin 1 metru. Asigurați întotdeauna o ventilație bună!
- Nu amplasați aparatul chiar deasupra sau sub o priză de perete (nu în imediata apropiere).
- Încălzitorul de terasă este destinat numai uzului casnic. Prin urmare, nu ar trebui să îl utilizați pe șantierele de construcții, în sere, hambare sau tarabe etc., chiar dacă acestea sunt în mare parte deschise. De obicei, există prea multe materiale inflamabile în aceste situații.
- Nu utilizați acest încălzitor de terasă ca sursă de încălzire într-o saună sau ca încălzitor permanent pentru un anumit spațiu sau o cameră.
- Nu utilizați acest încălzitor de terasă într-un adăpost de animale sau în orice altă locație în care există animale.
- Nu îl utilizați lângă sau în imediata apropiere a unei băi sau a unei piscine sau a oricărei surse de lichid. În ciuda faptului că aparatul este rezistent la stropi, trebuie să aveți grijă cu apa. Asigurați-vă că acesta nu poate cădea în apă și nu-l expuneți la jeturi puternice de apă. Nu-l atingeți cu mâinile umede și nu așezați aparatul în zona din jurul unei băi, toalete, piscine sau alte surse de alimentare cu apă, deoarece acest lucru este periculos.
- Pentru a vă proteja împotriva șocurilor electrice, nu introduceți cablul sau fișa în apă sau orice alt lichid.
- Nu introduceți și nu permiteți obiectelor străine să pătrundă în vreun orificiu de ventilație sau de evacuare, deoarece acest lucru poate provoca electrocutare, incendiu sau deteriorarea încălzitorului.
- Asigurați-vă că există suficientă lumină. Comutatoarele de pe aparat trebuie să fie vizibile în mod corespunzător de la o distanță de 1 metru.
- Deconectați întotdeauna încălzitorul de la sursa de alimentare atunci când nu îl folosiți. Nu lăsați niciodată aparatul nesupravegheat atunci când îl folosiți, ci opriți-l și deconectați-l. Nu utilizați aparatul cu împreună cu un aparat

de programare, un temporizator sau orice alt aparat care pornește automat aparatul.

- Nu utilizați încălzitorul cu un regulator de tensiune extern, cum ar fi un variator de tensiune, regulator de turație etc. Acest lucru generează un pericol electric.
- Asigurați-vă că cablul nu atâră peste margini (ascuțite), nu realizează curbări puternice, nu atinge suprafețele fierbinți. Nu înfășurați cablul în jurul aparatului.
- Nu permiteți cablului să atâră, întrucât poate fi tras cu ușurință de către copii.
- Nu introduceți degetele sau obiecte străine în grilaj în timp ce încălzitorul este în funcțiune.
- Nu lăsați aparatul nesupravegheat când îl folosiți.
- Acest încălzitor nu este destinat utilizării în băi, spălătorii și locații similare aflate în interior, nu amplasați niciodată încălzitorul în locații unde poate cădea într-o cadă sau într-un alt recipient cu apă.
- Nu poate fi acceptată răspunderea pentru orice daune cauzate de nerespectarea acestor instrucțiuni sau de orice altă utilizare necorespunzătoare sau manipulare greșită.
- Acest aparat poate fi utilizat de copiii peste 8 ani și de către persoane cu capacități fizice, senzoriale sau mentale reduse sau de către persoane lipsite de experiență și cunoștințe dacă acestea au fost supravegheate și instruite cu privire la utilizarea aparatului în condiții de siguranță și înțeleg riscurile pe care le implică. Copiii nu au voie să se joace cu echipamentul. Curățarea și operațiunile de întreținere nu trebuie efectuate de copii fără supraveghere.
- Dacă, din orice motiv, aparatul se fisurează sau se crapă sau dacă identificați imperfecțiuni sau defecțiuni ale carcasi din aluminiu sau ale oricărei componente, întrerupeți imediat funcționarea aparatului și scoateți fișa din priză.
- În cazul în care cablul de alimentare este deteriorat în orice fel, acesta trebuie înlocuit de către producător, de către agentul de service sau de către persoane calificate în mod similar, pentru a evita pericolul.
- Pentru a preveni supraîncălzirea acestui aparat, păstrați intrările și orificiile de aer curate și fără obiecte care pot provoca blocarea. Verificați ocazional toate orificiile de admisie și orificiile de evacuare pentru a vă asigura că acestea nu sunt murdare și nu prezintă acumulări de

praf. NU ACOPERIȚI DISPOZITIVUL. Eticheta de avertizare privind interdicția de a acoperi aparatul trebuie, de asemenea, plasată într-un loc vizibil după instalare: nu ar trebui, așadar, să fie pe spate.

- Componentele încălzitorului pot depăși 200°C; contactul cu tubul de încălzire, reflectorul sau componentele metalice din apropierea tubului de încălzire poate provoca ARSURI severe. Pentru a evita arsurile, nu atingeți suprafețele fierbinți cu părți ale pielii.
- Nu țineți NICIODATĂ mâinile sub elementele de încălzire. Lăsați întotdeauna elementul de încălzire să se răcească cu cel puțin 10 minute înainte de a atinge tubul de încălzire sau componentele adiacente.
- Nu depozitați lichide inflamabile sau materiale precum vopsea, benzină, rezervoare de combustibil etc. în imediata apropiere a aparatului. Nu utilizați aparatul într-un mediu inflamabil, cum ar fi rezervoarele de combustibil din apropiere, tuburile de gaz sau recipientele de pulverizare. Pericol de explozie și incendiu!
- Acest produs conține materiale reciclabile. Nu eliminați acest produs ca deșeu menajer nesortat. Vă rugăm să contactați autoritățile locale pentru cel mai apropiat punct de colectare.
- Așezați aparatul la o distanță minimă de:
  - 50 cm de un tavan sau acoperiș neinflamabil;
  - 100 cm până la un tavan sau acoperiș inflamabil;
  - 50 cm față de pereții laterali

#### Instrucțiuni de siguranță privind alimentarea electrică



*Verificați întotdeauna ca tensiunea de la alimentarea cu energie să corespundă tensiunii de pe plăcuța cu specificații.*

- Nu utilizați aparatul în cazul în care cablul de alimentare sau ștecherul este deteriorat sau defect.
- Folosiți numai cabluri prelungitoare adecvate pentru puterea mașinii cu o grosime minimă de 1,5 mm<sup>2</sup>. Dacă utilizați o bobină de cablu de extensie, derulați întotdeauna complet cablul.

## 2. INFORMAȚII CU PRIVIRE LA MAȘINA

### Domeniul de utilizare

Acest produs este conceput ca un încălzitor de terasă pentru medii domestice. Încălzitorul este destinat grădinilor private sau altor zone exterioare de acasă. Încălzitorul nu poate fi utilizat pentru încălzirea unui spațiu interior, nu poate fi folosit ca încălzitor exterior în afara casei și nici pentru uscarea textilelor sau a altor materiale. Acest încălzitor nu este echipat cu un aparat de control al temperaturii camerei, deci nu utilizați acest aparat de încălzire în spații ocupate de persoane care nu sunt capabile să părăsească singure camera, cu excepția cazului în care există o supraveghere constantă. Dispozitivul trebuie utilizat numai în scopul prescris. Orice altă utilizare este considerată a fi necorespunzătoare.

### SPECIFICAȚII TEHNICE

Nr. model	PH513AC
Tensiune	220-240 V ~
Frecvență	50Hz
Putere	2000W
Setări de putere	1: 800W 2: 1200W 3: 2000W
Lungime	225 cm
Diametrul plăcii de bază	Ø 47 cm
Tipul elementului de încălzire	Halogen
Timpul de încălzire	3-5 secundă
Distanță de încălzire	3 m
Zona de încălzire	9m <sup>2</sup>
Temperatură culoare	3000-3500 K
Comutator de siguranță în caz de răsturnare	Da
Clasă de protecție împotriva pătrunderii lichidelor	IPX4
Clasa de protecție	Clasa I
Greutate	14,1 kg

### DESCRIERE

Numerele din text se referă la diagramele de la paginile 2-5.

1. Încălzitor
2. Grilaj de protecție
3. Comutator pornire/oprire
4. Tub superior
5. Tub de mijloc
6. Tub inferior
7. Capac
8. Picior
9. Placă de bază
10. Comutator pornit/oprit stânga
11. Comutator pornit/oprit dreapta
12. Cablu de alimentare
13. Casetă conector cablu
14. Suport de cablu
15. Consolă placă de bază
16. Șurub
17. Piuliță
18. Șurub lung
19. Șurub scurt
20. Ancoră

### 3. ASAMBLAREA



*Acest încălzitor trebuie instalat de o persoană competentă, adică de un electrician calificat.*



*Deconectați întotdeauna încălzitorul de la sursa de alimentare electrică și lăsați-l să se răcească înainte de instalare.*

#### Asamblarea încălzitorului (Fig. B-G)



*Montați întotdeauna aparatul cu accesoriile furnizate.*

Înainte de a începe asamblarea aparatului, luați în considerare următoarele:

- Poziționați aparatul pe o suprafață fermă și dreaptă. Dispozitivul nu trebuie să fie niciodată așezat înclinat!
- Dispozitivul trebuie amplasat astfel încât să existe 100 cm de spațiu liber între încălzitor și obiect sau perete, măsurat din față sau lateral. Între sol și partea inferioară a aparatului trebuie să existe o distanță de cel puțin 1,80 m. Între aparat și tavan trebuie să existe un spațiu liber



de cel puțin 30 cm.

- Nu instalați încălzitorul pe sau în apropierea unei suprafețe inflamabile.
  - În cazul în care încălzitorul trebuie utilizat în exterior, este foarte recomandată o priză rezistentă la intemperii.
  - Înainte de găurire, asigurați-vă că nu există fire sau conducte de apă în zona în care trebuie instalat încălzitorul.
1. Începeți prin a monta tubul inferior (6) pe placa de bază (9). Strângeți șurubul (16) și piulița (17) așa cum se arată în figura B.
  2. Glisați capacul (7) pe tubul inferior (6), așa cum se arată în figura B. Acest lucru va ascunde șuruburile (16).
  3. Puneți ansamblul pe o parte și ghidați cablul de alimentare (12) prin centrul plăcii de bază (9) și prin tubul inferior (6), așa cum se arată în figura C.
  4. Luați tubul din mijloc (5) și ghidați și cablul de alimentare prin acest tub. Țineți tubul din mijloc (5) și treceți la pasul următor.
  5. Acum înșurubați tubul din mijloc (5) pe tubul inferior (6) în sensul acelor de ceasornic, până când este strâns. Consultați figura C.
  6. Luați tubul superior (4) și ghidați și cablul de alimentare prin acest tub. Țineți tubul superior (4) și urmați pasul următor.
  7. Acum înșurubați tubul superior (4) pe tubul din mijloc (5) în sensul acelor de ceasornic, până când este strâns. Consultați figura D.
  8. Puneți placa de bază (9) și tuburile asamblate în poziție verticală.
  9. Luați acum încălzitorul (1) și conectați-l la cablul de alimentare (12), așa cum se arată în figura E.
  10. Așezați cutia de conectare a cablurilor (13) pe conectorii de cablu și pliați-o pentru a o închide, așa cum se arată în figura E. Acest lucru va închide conectorii de cablu și îi va împiedica să se desprindă.
  11. Glisați partea proeminentă a încălzitorului (1) cu ansamblul de cabluri conectat corespunzător pe tubul superior (4), așa cum se arată în figura F.
  12. Asigurați-vă că cele două găuri din partea proeminentă a încălzitorului (1) se aliniază cu găurile din tubul superior (4).
  13. Acum fixați încălzitorul (1) în poziție prin strângerea șuruburilor lungi (18) în găurile tubului superior (4) și, astfel, a încălzitorului.

14. Fixați cablul de alimentare (12) pe placa de bază (9) cu ajutorul suportului de cablu (14) și a celor două șuruburi scurte (19). Consultați figura G.

#### Fixarea bazei încălzitorului (Fig. H)

Se recomandă să fixați încălzitorul pe suprafața solului cu ajutorul suporturilor special concepute pentru placa de bază (15). Aceste suporturi previn căderea încălzitorului, în special atunci când este utilizat în aer liber, unde vântul nu face excepție. Pentru a monta suporturile plăcii de bază:

1. Luați suporturile plăcii de bază (15) și așezați-le la distanță egală în jurul plăcii de bază (9).
2. Acum marcați găurile de găurire pe suprafața solului prin găurile suporturilor plăcii de bază (15).
3. Îndepărtați suporturile plăcii de bază și faceți găuri în pozițiile marcate. Folosiți un diametru al burghiului care corespunde cu diblurile utilizate (20). Găuriți cu aproximativ 10 până la 15 mm mai adânc decât încadrarea așteptată. Asigurați-vă că găurile sunt plane și exact la aceeași înălțime.
4. Curățați găurile de orice resturi și puneți la locul lor suporturile plăcii de bază (15).
5. Așezați piulița la același nivel cu partea superioară a manșonului de ancorare (20).
6. Introduceți diblul (20) în gaura din materialul de podea. Folosind un ciocan, introduceți diblul cu manșon până când șaiba și piulița sunt strânse pe materialul de podea.
7. Acum puneți suportul plăcii de bază (15) pe dublu (11) și montați cu ajutorul șaibe și al piuliței. Rotiți piulița până la capăt cu degetul.
8. Folosiți o cheie pentru a fixa diblul prin rotirea piuliței cu trei sau patru ture complete.
9. Montați cele 2 suporturi rămase ale plăcii de bază (15).

## 4. OPERAREA



**AVERTISMENT.** Înainte de fiecare utilizare, verificați dacă: mâinile sunt uscate înainte de a utiliza aparatul, aparatul este curat și uscat, aparatul nu este deteriorat, aparatul este asamblat corect și montat în siguranță pe podea.

#### Pornirea/oprirea și reglarea nivelului de putere (Fig. A)

Încălzitorul poate fi pornit și oprit cu ajutorul comutatorului pornit/oprit (3). Încălzitorul este

prevăzut cu două comutatoare, nu numai pentru a porni sau opri aparatul, ci și pentru a regla nivelul de putere într-un total de trei setări diferite:

- Comutatorul stâng de pornire/oprire (10) pornit (I), comutatorul drept de pornire/oprire (11) oprit (O): Nivelul 1 - 800W
- Comutatorul stâng de pornire/oprire (10) este oprit (O), iar comutatorul drept de pornire/oprire (11) este pornit (I): Nivelul 2 - 1200W
- Comutatorul stâng de pornire/oprire (10) este pornit (I), comutatorul drept de pornire/oprire (11) este pornit (I): Nivelul 3 - 2000W

#### Comutator de siguranță în caz de răsturnare (Fig. A)

Acest încălzitor este prevăzut cu un întrerupător de siguranță la răsturnare. În cazul în care încălzitorul cade, acesta se oprește automat.

Vă rugăm să rețineți că, atunci când încălzitorul este readus în poziție verticală, acesta nu își reia imediat funcționarea. Mai întâi opriți-l (citiți „Pornirea/oprirea”), scoateți ștecherul din priză și verificați dacă încălzitorul este deteriorat. În caz de deteriorare sau de funcționare defectuoasă, nu utilizați, ci verificați-l/reparați-l. În cazul în care nu există nicio deteriorare, puteți porni din nou încălzitorul (consultați „pornirea/oprirea”).

## 5. ÎNTREȚINEREA



*Asigurați-vă întotdeauna că mașina nu este conectată la rețeaua electrică atunci când efectuați lucrări de întreținere a mecanismului.*



**ATENȚIE:** Pericol de electrocutare. NU deschideți și nu încercați să reparați dvs. încălzitorul.

Curățați regulat carcasa cu o cârpă moale, de preferat după fiecare utilizare. Curățați fantele de aerisire de praf și murdărie. Îndepărtați murdăria persistentă cu o cârpă moale înmuiată în clăbuci de săpun. Nu folosiți solvenți precum benzină, alcool, amoniac, etc. Astfel de substanțe chimice vor deteriora componentele sintetice.

- NU folosiți alcool, benzină, pulberi abrazive, soluții pentru lustruit mobila sau perii aspre pentru a curăța încălzitorul. Acest lucru poate cauza defectarea sau deteriorarea suprafeței încălzitorului.

- NU scufundați încălzitorul în apă.
- Așteptați până când încălzitorul este complet uscat înainte de utilizare.

#### ATENȚIE:

- Deconectați întotdeauna încălzitorul de la sursa de alimentare electrică și lăsați-l să se răcească înainte de a încerca să îl curățați.
- Dacă încălzitorul a acumulat praf sau murdărie în interiorul unității sau în jurul elementului de încălzire, acesta trebuie curățat de către un agent de service calificat. Nu folosiți încălzitorul în această stare.
- Singura întreținere necesară este curățarea suprafețelor exterioare ale încălzitorului.
- Nu atingeți elementul de încălzire cu degetele goale, deoarece murdăria de pe mâinile dvs. ar putea afecta durata de viață a lămpii. Dacă este atins accidental, îndepărtați urmele degetelor cu o cârpă moale umezită cu alcool metilic sau alcool.
- Nu încercați să reparați sau să reglați funcțiile electrice sau mecanice ale acestui încălzitor.
- Încălzitorul nu conține componente care pot fi reparate de către utilizator. În cazul în care produsul prezintă daune sau defecțiuni, acesta trebuie returnat producătorului sau agentului de service.
- Cablurile de alimentare deteriorate trebuie înlocuite de producător, agentul de service sau de o persoană calificată în mod similar, pentru a evita pericolele.

#### Depozitarea

Pentru a preveni acumularea de praf și murdărie, păstrați încălzitorul într-un loc răcoros și uscat atunci când nu îl folosiți. Utilizați cutia de ambalare pentru depozitare.

#### Depanarea

Dacă încălzitorul nu funcționează, vă rugăm să verificați următoarele aspecte înainte de a solicita reparații sau service:

- Verificați dacă cablul de alimentare este conectat la o priză electrică; dacă nu este conectat, conectați-l.
- Verificați dacă există curent electric la siguranța principală.
- Asigurați-vă că întrerupătoarele de alimentare sunt pornite; în caz contrar, alegeți o setare.

## MEDIU



*Aparatele electrice sau electronice deteriorate și/sau defecte trebuie colectate în locurile de reciclare corespunzătoare.*

### Numai pentru țările din CE

Nu aruncați echipamentele acționate electric împreună cu gunoiul menajer. Conform Indicației europene 2012/19/CE pentru echipamente electrice și electronice uzate și a implementării sale la nivel național, echipamentele acționate electric scoase din uz trebuie colectate separat și evacuate într-o manieră ecologică.

## GARANȚIE

Produsele VONROC sunt realizate la cele mai înalte standarde de calitate și sunt garantate în privința materialelor și a manoperei pentru întreaga perioadă de utilizare în garanție, începând cu data achiziției. În cazul în care produsul prezintă defecțiuni în perioada de garanție din cauza materialului defect și/sau a manoperei, contactați direct VONROC.

Următoarele circumstanțe sunt excluse de la această garanție:

- Reparațiile sau modificările care realizate sau care s-au încercat a fi efectuate de centre de service neautorizate;
- Uzura în condiții normale de utilizare;
- Unealta care a fost abuzată, utilizată într-un mod neglijent sau întreținută în mod inadecvat;
- Folosirea unor piese de schimb neoriginale.

Aceasta acoperă garanția companiei, explicită sau implicită. Nu există alte garanții explicite sau implicite care să se extindă dincolo de cele indicate aici, incluzând garanțiile, vandabilitatea sau adecvarea pentru un anumit scop. În nicio situație, VONROC nu este responsabil pentru daunele incidentale sau consecvențiale. Reparațiile efectuate de reprezentant trebuie să fie limitate la reparațiile sau la înlocuirea unităților sau a pieselor neconforme.

**Produsul și manualul de utilizare pot suferi modificări. Specificațiile se pot modifica fără notificare prealabilă.**

## 1. GÜVENLİK TALİMATLARI

Ekteki güvenlik uyarılarını, ilave güvenlik uyarılarını ve talimatları okuyun. Güvenlik uyarılarını ve talimatları izlememek elektrik çarpması, yangın ve/veya ciddi yaralanma ile sonuçlanabilir. Güvenlik uyarılarını ve talimatları gelecekte referans olması için saklayın.

Aşağıdaki semboller kullanıcı kılavuzunda veya ürün üzerinde kullanılmaktadır:



*Kullanım kılavuzunu okuyun.*



*Bu kılavuzdaki talimatlara uymama durumunda fiziksel yaralanma, can kaybı veya ısıtıcıda hasar riskini belirtir.*



*Elektrik çarpması riski.*



*Uyarı: sıcak yüzey!*



*Cihazın üzerini örtmeyin.*



*Topraklama simgesi. Bu cihaz, koruma sınıfı I olarak sınıflandırılır ve topraklanmış bir elektrik prizine bağlanmalıdır.*



*Ürün, Avrupa yönergelerinde belirtilen, yürürlükteki güvenlik standartlarına uygundur.*

### GENEL GÜVENLİK UYARILARI

**BU TALİMATLAR DİKKATLİCE OKUNMALI VE İLERİDE BAŞVURMAK ÜZERE SAKLANMALIDIR, Üretici, bu talimatlara uyulmamasından kaynaklanan zararlardan sorumlu tutulamaz.**

Bu cihaz, cihazın güvenli bir şekilde kullanımıyla ilgili gözetim mevcutsa veya kullanımla ilgili talimatları ve ilgili tehlikeleri anlıyorsa, 8 yaş ve üzeri çocukların yanı sıra fiziksel, duyuşsal veya zihinsel yetenekleri sınırlı veya yeterli deneyim ve bilgiden yoksun kişiler tarafından kullanılabilir. Çocukların cihazla oynamasına izin vermeyin. Eğer gözetim altında değilse temizlik ve kullanıcı bakımı çocuklar tarafından yapılamaz.

Sürekli gözetim altında tutulmadıkları sürece 3 yaşından küçük çocuklardan uzak tutulmalıdır. 3 yaşından büyük ve 8 yaşından küçük çocuklar,

cihazı ancak cihaz kullanım için amaçlanan normal çalışma konumuna yerleştirilmiş veya kurulmuşsa ve kendilerine cihazın güvenli bir şekilde kullanımıyla ilgili denetim veya talimat verilmişse ve içerdiği tehlikeleri anlayabilecek durumdaysa cihazı açıp kapatabilir. 3 yaşından büyük ve 8 yaşından küçük çocukların, cihazın fişini prize takmalarına, cihazı ayarlamalarına ve temizlemelerine veya cihazda kullanıcı bakımı yapmalarına izin verilmez.

**DİKKAT — Bu ürünün bazı parçaları aşırı ısınabilir ve yanıklara neden olabilir. Çocukların ve yardıma ihtiyacı olan kişilerin bulunduğu yerlerde özel dikkat gösterilmelidir.**

### ÖNEMLİ GÜVENLİK TALİMATLARI

DİKKATLİCE OKUYUN-Kızılötesi ısıtıcı, güvenli çalışacak şekilde tasarlanmıştır. Yine de ısıtıcının montajı, bakımı ve çalıştırılması tehlikeli olabilir. Aşağıdaki prosedürlere uyulması yangın, elektrik çarpması, fiziksel yaralanma riskini azaltacak ve kurulum süresini en aza indirecektir. Bu talimatları ilerde kullanmak üzere saklayın.

- Bu ısıtıcıyı kullanmadan önce tüm talimatları okuyun.
- Üniteyi ambalajından çıkarın ve kullanmadan önce iyi durumda olup olmadığını kontrol edin.
- Çocukların ambalaj parçalarıyla (plastik poşetler gibi) oynamasına izin vermeyin.
- Isıtıcının nominal özelliklerine uygun olduğundan emin olmak için ev voltajını kontrol edin.
- Hasar görmediklerinden emin olmak için kullanmadan önce elektrik kablosunu ve fişi dikkatlice kontrol edin.
- Fişini prizden çıkarmadan önce gücü kesinlikle kapatın ve üniteye enerji verirken elektrik çarpmasını önlemek için ellerinizin kuru olduğundan emin olun.
- Teras radyatörünü sadece açık havada veya geniş bir açık alanda kullanın. Tente, şemsiye, ağaç dalı, mobilya, perde, kağıt vb. gibi tüm yanıcı nesnelere cihazdan uzak (sabit olmayan nesnelere bile olsa en az 1 metre mesafede!) tutun. Duvarlara olan mesafe en az 1 metre olmalıdır. Baş kısmı, yerden en az 180 cm yukarıda olmalıdır. Cihazı bir çatı altına yerleştirirseniz, teras radyatör kapağı ile (yanmaz) tavan arasında en az 50 cm boşluk

birakılmalıdır. Yanıcı malzemeden oluşan (ahşap, plastik, branda vb.) bir çatıda bu mesafe en az 1 metre olmalıdır. Daima iyi havalandırma sağlayın!

- Cihazı bir duvar prizinin hemen üstüne veya altına koymayın (yakınına değil).
- Teras ısıtıcısı yalnızca evde kullanım için tasarlanmıştır. Bu nedenle, büyük ölçüde açık alan olsalar bile şantiyelerde, seralarda, ahırlarda veya ağıllarda vb. kullanmamalısınız. Bu tür yerlerde genellikle çok fazla yanıcı malzeme bulunur.
- Bu teras ısıtıcısını sauna ısıtması veya sürekli bir alan veya oda ısıtıcısı olarak kullanmayın.
- Bu teras ısıtıcısını bir köpek kulübesi veya hayvanların bulunduğu başka bir yerde kullanmayın.
- Banyo veya yüzme havuzunun veya herhangi bir sıvı kaynağının yakınında veya etrafında kullanmayın. Cihaz su sıçramasına karşı dayanıklı olsa da, daima suya dikkat etmeniz gerekir. Suya düşmeyeceğinden emin olun ve güçlü su fiskiyelerine maruz bırakmayın. Tehlikeli olduğundan ıslak ellerle dokunmayın ve cihazı banyo, tuvalet, yüzme havuzu veya diğer su kaynaklarının hemen yakınına yerleştirmeyin.
- Elektrik çarpmasına karşı korunmak için, kabloyu veya fişi suya veya başka bir sıvıya batırmayın.
- Herhangi bir havalandırma veya egzoz açıklığına yabancı nesnelere sokmayın veya girmesine izin vermeyin çünkü bu, elektrik çarpmasına, yangına veya ısıtıcıda hasara neden olabilir.
- Yeterli ışık olduğundan emin olun. Cihaz üzerindeki düğmeler 1 metre mesafeden düzgün bir şekilde görülebilmelidir.
- Kullanılmadığında ısıtıcının fişini daima çekin. Cihazı kullanırken asla başıboş bırakmayın, kapatıp fişini çekin. Cihazı bir programlayıcı, zamanlayıcı veya cihazı otomatik olarak açan başka bir cihazla kullanmayın.
- Isıtıcıyı dimmer, hız kontrol cihazı vb. gibi harici bir voltaj regülatörü ile kullanmayın. Bu, elektriksiz bir tehlike oluşturur.
- Kablonun kenarlardan (keskin) sarkmamasına, aşırı kıvrılmamasına ve sıcak yüzeylere değmemesine dikkat edin. Kabloyu cihazın etrafına sarmayın.
- Kablonun çocuklar tarafından kolayca çekilebilecek şekilde tezgahın sarkmasına izin vermeyin.

- Çalıştırma sırasında ızgaraya parmaklarınızı veya yabancı nesne koymayın.
- Aleti kullanım sırasında başıboş ve gözetimsiz bırakmayın.
- Bu ısıtıcı banyo, çamaşırhane ve benzeri kapalı mekanlarda kullanılmak üzere tasarlanmamıştır, ısıtıcıyı asla küvet veya başka bir su kabına düşebileceği yerlere koymayın.
- Bu talimatlara uyulmamasından veya başka herhangi bir uygunsuz veya yanlış kullanımdan kaynaklanan herhangi bir hasar için sorumluluk kabul edilmez.
- Bu cihaz, cihazın güvenli bir şekilde kullanımıyla ilgili gözetim mevcutsa veya kullanımla ilgili talimatları ve ilgili tehlikeleri anlarsanız, 8 yaş ve üzeri çocukların yanı sıra fiziksel, duyuusal veya zihinsel yetenekleri sınırlı veya yeterli deneyim ve bilgiden yoksun kişiler tarafından kullanılabilir. Çocukların cihazla oynamasına izin vermeyin. Eğer gözetim altında değilse temizlik ve kullanıcı bakımı çocuklar tarafından yapılamaz.
- Herhangi bir nedenle cihazda çatlak veya kırılma meydana gelirse veya alüminyum gövde veya herhangi bir parçada herhangi bir kusur veya kesinti tespit ederseniz, derhal cihazın çalışmasını durdurun ve fişi prizden çıkarın.
- Güç kablosu herhangi bir şekilde hasar gördüyse, tehlikeden kaçınmak için üretici, servis sorumlusu veya bu gibi kalifiye kişiler tarafından değiştirilmelidir.
- Bu cihazın aşırı ısınmasını önlemek için hava girişlerini ve çıkışlarını temiz tutun ve tıkanmaya neden olabilecek her şeyi temizleyin. Herhangi bir kir veya toz birikintisi bulunmadığından emin olmak için tüm giriş ve çıkışları sıkça kontrol edin. ÜZERİNİ ÖRTMEYİN. Ayrıca, cihazın üzerinin örtülmemesi için uyarı etiketi kurulandıktan sonra açıkça görülebilen bir yere yerleştirilmelidir: bu nedenle ilgili etiket cihazın arkasında olmamalıdır.
- Isıtıcı parçalarının sıcaklığı 200°C'yi aşabilir, ısıtma borusu, reflektör veya ısıtma borusunun yakınındaki metal parçalarla temas şiddetli YANIKLARA neden olabilir. Yanıkları önlemek için çıplak cildin sıcak yüzeye temas etmesine izin vermeyin.
- Ellerinizi ASLA ısıtma elemanlarının altına koymayın. DAİMA ısıtıcı borusuna veya bitişik parçalara dokunmadan önce ısıtma elemanının en az 10 dakika soğumasını bekleyin.
- Cihazın yakın çevresinde yanıcı sıvı veya boya, benzin, gaz tankı vb. malzemeleri saklamayın. Cihazı, yakında yanıcı gaz tankları, gaz tüpleri veya sprey kutuları gibi nesnelere bulunan yanıcı ortamlarda kullanmayın. Patlama ve yangın tehlikesi!
- Bu ürün geri dönüştürülebilir malzemeler içerir. Bu ürünü ayrıştırılmamış evsel atıklarla birlikte atmayın. Lütfen en yakın toplama noktası için yerel yetkililerinizle iletişime geçin.
- Cihazı yerleştirirken aşağıdaki asgari mesafelere dikkat edin:
  - yanmaz malzemeden yapılmış bir tavan veya çatıyla arasında 50 cm;
  - yanabilir malzemeden yapılmış bir tavan veya çatıyla arasında 100 cm;
  - yan duvarlarla 50 cm

### Elektrik güvenliği



*Daima güç kaynağı geriliminin anma değerleri plakasındaki gerilime karşılık gelip gelmediğini kontrol edin.*

- Güç kaynağı kablosu veya şebeke fişi hasar görmüşse makineyi kullanmayın.
- Sadece makinenin güç değerleri açısından uygun, minimum 1,5 mm<sup>2</sup> kalınlığa sahip uzatma kabloları kullanın. Bir uzatma kablosu makarası kullanıyorsanız kabloyu daima tam olarak açın.

## 2. MAKİNE BİLGİSİ

### Kullanım amacı

Bu ürün, ev ortamları için teras ısıtıcı olarak tasarlanmıştır. Isıtıcı, evlerdeki özel bahçeler veya diğer açık alanlar için tasarlanmıştır. Isıtıcı, bir kapalı alanı ısıtmak, ev tipi olmayan açık alan ısıtıcısı olarak kullanılmak veya tekstil ürünleri veya diğer malzemeleri kurutmak için kullanılamaz. Bu ısıtıcıda oda sıcaklığını kontrol eden bir düzeneğin bulunmadığı için, sürekli gözetim sağlanmadığı sürece, bu ısıtıcıyı odayı kendi başlarına terk edemeyecek durumda olan kişilerin bulunduğu alanlarda kullanmayın. Bu cihaz sadece tasarlandığı amaç için kullanılmalıdır. Başka her türlü kullanımın kötüye kullanım olduğu kabul edilir.

**TEKNİK ÖZELLİKLER**

Model No.	PH513AC
Volтаж	220-240 V ~
Frekans	50 Hz
Güç	2000 W
Güç ayarları	1: 800 W 2: 1200 W 3: 2000 W
Yükseklik	225 cm
Taban plakası çapı	Ø 47 cm
Isıtma elemanı türü	Halojen
Isınma süresi	3-5 saniye
Isıtma mesafesi	3 m
Isıtma alanı	9m <sup>2</sup>
Renk sıcaklığı	3000-3500K
Devrilme emniyet düğmesi	Evet
Giriş koruma sınıfı	IPX4
Koruma sınıfı	Sınıf I
Ağırlık	14,1kg

**AÇIKLAMA**

Metindeki numaralar sayfa 2-5'teki şemaları işaret etmektedir.

1. Isıtıcı
2. Koruyucu ızgara
3. Açma/kapama düğmesi
4. Üst boru
5. Orta boru
6. Alt boru
7. Kapak
8. Ayaklar
9. Taban plakası
10. Sol açma/kapama düğmesi
11. Sağ açma/kapama düğmesi
12. Elektrik kablosu
13. Kablo konektör kutusu
14. Kablo tutucu
15. Taban plakası braket
16. Cıvata
17. Somun
18. Uzun vida
19. Kısa vida
20. Sac gömleklili dübel

**3. MONTAJ**

*Bu ısıtıcı, örneğin kalifiye bir elektrikçi gibi uzman kişiler tarafından kurulmalıdır.*



*Montaj öncesinde daima ısıtıcıyı güç kaynağından ayırın ve soğumasını bekleyin.*

**Isıtıcının monte edilmesi (Şekil B-G)**

*Cihazı her zaman birlikte verilen aksesuarlarla monte edin.*

Cihazı monte etmeye başlamadan önce aşağıdakileri göz önünde bulundurun:

- Cihazı sağlam ve düz bir zemine yerleştirin. Cihaz asla bir açıyla yerleştirilmemelidir!
- Cihaz, ısıtıcı ile nesne veya duvar arasında önden veya yandan ölçüldüğünde 100 cm boşluk kalacak şekilde yerleştirilmelidir. Zemin ile cihazın alt tarafı arasında en az 1,80 m mesafe olmalıdır. Cihaz ile tavan arasında en az 30 cm boşluk olmalıdır.
- Isıtıcıyı yanıcı bir yüzeye veya böyle bir yüzeyin yakınına kurmayın.
- Isıtıcı açık alanda kullanılacaksa, hava koşullarına dayanıklı bir priz şiddetle tavsiye edilir.
- Delmeden önce, ısıtıcının kurulacağı alanda elektrik kablosu veya su borusu olmadığından emin olun.

1. Alt boruyu (6) taban plakasına (9) monte ederek başlayın. Cıvata (16) ve somunu (17) Şekil B'de gösterildiği gibi sıkın.
2. Kapağı (7) Şekil B'de gösterildiği gibi alt borunun (6) üzerine kaydırın. Bu, cıvataların (16) görünür olmasını önleyecektir.
3. Düzeneği ve yan tarafını yerleştirin ve güç kablosunu (12) Şekil C'de gösterildiği gibi taban plakasının (9) ortasından ve alt borudan (6) geçirin.
4. Orta boruyu (5) alın ve güç kablosunu bu borudan da geçirin. Orta boruyu (5) tutun ve sonraki adımı izleyin.
5. Şimdi orta boruyu (5) alt boruya (6) tam sıkılana kadar saat yönünde vidalayın. Bkz. Şekil C.
6. Üst boruyu (4) alın ve güç kablosunu bu borudan da geçirin. Üst boruyu (4) tutun ve sonraki adımı izleyin.
7. Şimdi üst boruyu (4) orta boruya (5) tam sıkılana kadar saat yönünde vidalayın. Bkz. Şekil D.

8. Monte edilmiş taban plakasını (9) ve boruları dik konuma getirin.
9. Şimdi ısıtıcıyı (1) alın ve Şekil E'de gösterildiği gibi güç kablosuna (12) bağlayın.
10. Kablo konektör kutusunu (13) kablo konektörlerinin üzerine koyun ve Şekil E'de gösterildiği gibi katlayarak kapatın. Bu, kablo konektörlerini kapatacak ve gevşemelerini önleyecektir.
11. Şekil F'de gösterildiği gibi, ısıtıcının (1) çıkıntı yapan kısmını düzgün şekilde bağlanmış kablo tertibatı ile üst boruya (4) kaydırın.
12. Isıtıcının (1) çıkıntı yapan kısmındaki iki deliğin üst borudaki (4) deliklerle aynı hizada olduğundan emin olun.
13. Şimdi uzun vidaları (18) üst borunun (4) ve dolayısıyla ısıtıcının deliklerine sıkarak ısıtıcıyı (1) yerine sabitleyin.
14. Güç kablosunu (12) kablo tutucuyu (14) ve iki kısa vidayı (19) kullanarak taban plakasına (9) sabitleyin. Bkz. Şekil G.

#### Isıtıcı tabanının sabitlenmesi (Şekil H)

Isıtıcının, özel olarak tasarlanmış taban plakası braketleri (15) kullanılarak zemin yüzeyine sabitlenmesi şiddetle tavsiye edilir. Bu braketler, özellikle rüzgarlı havalarda sıkça karşılaşıldığı yerlerde açık havada kullanıldığında ısıtıcının düşmesini önler. Taban plakası braketlerini monte etmek için:

1. Taban plakası braketlerini (15) alın ve bunları taban plakasının (9) etrafına eşit aralıklarla yerleştirin.
2. Şimdi taban plakası braketlerinin (15) deliklerinden zemin yüzeyine matkapla delme deliklerini işaretleyin.
3. Taban plakası braketlerini çıkarın ve işaretli yerlerde delikler açın. Kullanılan dübellere (20) uygun çapta bir matkap ucu kullanın. Tahmini yerleştirme derinliğine göre yaklaşık 10 ila 15 mm daha derin bir delik açın. Deliklerin düz ve tam olarak aynı yükseklikte olduğundan emin olun.
4. Deliklerdeki kirleri temizleyin ve taban plakası braketlerini (15) yerine takın.
5. Somunu, dübelin (20) üst kısmıyla aynı hizaya getirin.
6. Dübeli (20) zemin malzemesindeki deliğe sokun. Bir çekiç kullanarak, pul ve somun zemin malzemesine sıkıca oturana kadar dübeli iyice sokun.

7. Şimdi taban plakası braketini (15) dübele (11) yerleştirin, pulu ve somunu kullanarak monte edin. Somunu elinizle sıkılana kadar çevirin.
8. Somunu üç ila dört tam tur döndürerek dübeli ayarlamak için bir anahtar kullanın.
9. Kalan 2 taban plakası braketini (15) monte edin.

## 4. ÇALIŞTIRMA



**UYARI.** Her kullanımdan önce şunları kontrol edin: cihazı çalıştırmadan önce ellerinizin kuru olduğunu, cihazın temiz ve kuru olduğunu, cihazın hasarlı olmadığını, cihazın doğru bir şekilde birleştirildiğini ve zemine güvenli bir şekilde monte edildiğini.

#### Açma/kapama ve güç seviyesini ayarlama (Şekil A)

Isıtıcı, açma/kapama düğmesi (3) kullanılarak açılıp kapatılabilir. Isıtıcıda, yalnızca cihazı açıp kapatmakla kalmayıp aynı zamanda güç seviyesini toplam üç farklı ayarlamak için kullanılan iki düğme mevcuttur:

- Sol açma/kapama düğmesi (10) açık (I), sağ açma/kapama düğmesi (11) kapalı (O):  
Seviye 1 - 800W
- Sol açma/kapama düğmesi (10) kapalı (O), sağ açma/kapama düğmesi (11) açık (I):  
Seviye 2 - 1200W
- Sol açma/kapama düğmesi (10) açık (I), sağ açma/kapama düğmesi (11) açık (I):  
Seviye 3 - 2000W

#### Devrilme emniyet düğmesi (Şekil A)

Bu ısıtıcıda, bir devrilme emniyet düğmesi mevcuttur. Isıtıcı, devrilmesi durumunda otomatik olarak kapanır.

Isıtıcı dik konuma getirildiğinde hemen çalışmaya devam etmediğini lütfen unutmayın. Önce cihazı kapatın ('açma/kapama' bölümünü okuyun), fişi prizden çekin ve ısıtıcıda hasar olup olmadığını kontrol edin. Hasar veya arıza durumunda kullanmayınız, kontrol/tamir için başvurun. Herhangi bir hasar yoksa, ısıtıcıyı tekrar açabilirsiniz ('açma/kapama' bölümünü okuyun).

## 5. BAKIM



**Mekanizmada bakım yaparken makine fişinin prize bağlı olmadığından daima emin olun.**



**DİKKAT:** Elektrik Çarpması Riski. Isıtıcının içini kendi başınıza açmaya veya tamir etmeye ÇALIŞMAYIN.

Makine kaplamalarını yumuşak bir bezle, tercihen her kullanımdan sonra düzenli olarak temizleyin. Havalandırma deliklerinin toz ve kirden arınmış olduğundan emin olun. Çok inatçı kirleri sabun köpüğüyle ıslatılmış yumuşak bir bezle çıkarın. Benzin, alkol, amonyak vs. gibi çözücü maddeleri kullanmayın. Bunlar gibi kimyasallar sentetik bileşenlere zarar verecektir.

- Isıtıcıyı temizlemek için alkol, benzin, aşındırıcı tozlar, mobilya cilası veya sert fırçalar KULLANMAYIN. Bu, ısıtıcının yüzeyinde hasara veya bozulmaya neden olabilir.
- Isıtıcıyı asla suya DALDIRMAYIN.
- Kullanmadan önce ısıtıcının tamamen kurumasını bekleyin.

#### DİKKAT:

- Temizlik öncesinde daima ısıtıcıyı güç kaynağından ayırın ve soğumasını bekleyin.
- Isıtıcıda, ünitenin içinde veya ısıtma elemanının çevresinde toz veya kir birikmişse, ürün yetkili bir servis merkezi tarafından temizlenmelidir. Isıtıcıyı bu durumda çalıştırmayın.
- Gereken tek bakım, ısıtıcının dış yüzeylerinin temizlenmesidir.
- Ellerinizdeki kirler lambanın ömrünü etkileyebileceğinden, ısıtma elemanına çıplak elle dokunmayın. Yanlışlıkla dokunulursa, parmak izlerini mentollü ispirto veya alkolle hafif ıslatılmış yumuşak bir bezle silin.
- Bu ısıtıcıdaki herhangi bir elektriksel veya mekanik bileşeni kendiniz onarmaya veya ayarlamaya çalışmayın.
- Isıtıcı, kullanıcı tarafından bakımı yapılabilir herhangi bir parça içermez. Ürün hasar görürse veya arızalanırsa, üreticiye veya yetkili servise gönderilmelidir.
- Tehlikeyi önlemek için, hasarlı elektrik kabloları, üretici, yetkili servis veya benzer niteliklere sahip kişiler tarafından değiştirilmelidir.

#### Saklama

Toz ve kir oluşumunu önlemek için, kullanılmadığında ısıtıcıyı serin ve kuru bir yerde saklayın. Muhafaza etmek için ambalaj kartonu kullanın.

#### Sorun Giderme

Isıtıcı çalışmıyorsa, onarım veya servis bakımı öncesinde lütfen aşağıdakileri kontrol edin:

- Elektrik kablosunun prize takılı olup olmadığını kontrol edin.
- Ana sigortaya giden elektriğin çalışıp çalışmadığını kontrol edin.
- Güç düğmelerinin açık olduğundan emin olun, eğer değilse, bir ayar seçin.

#### ÇEVRE



Arızalı ve/veya atılmış elektrikli veya elektronik ekipmanların uygun geri dönüşüm konularında toplanması gerekir.

#### Yalnızca AT ülkeleri için

Elektrikli aletleri evsel atık olarak atmayın. Atık Elektrikli ve Elektronik Donanım için Avrupa İlkeleri 2012/19/EC'ye ve ulusal hak uygulamasına göre, artık kullanılamaz olan elektrikli aletler ayrı olarak toplanmalı ve çevreye zarar vermeden imha edilmelidir.

#### GARANTİ

VONROC ürünleri en yüksek kalite standartlarına göre geliştirilir ve orijinal satın alma tarihinden itibaren yasal olarak öngörülen süre boyunca hem malzeme hem de işçilik açısından kusursuzluk garantisi verilir. Bu süre içinde üründe kusurlu malzeme ve/veya işçilik nedeniyle herhangi bir arıza meydana gelirse, doğrudan VONROC ile iletişime geçin.

Aşağıdaki durumlar bu garantinin dışındadır:

- Makinede, yetkili olmayan servis merkezleri tarafından onarım ve/veya değişiklikler yapılmış veya denenmişse;
- Normal aşınma ve yıpranma;
- Alet kötü amaçlı veya yanlış kullanılmışsa veya uygunsuz şekilde bakımı yapılmışsa;
- Orijinal olmayan yedek parçalar kullanılmışsa.

Bu, şirket tarafından açık veya zımni olarak verilen yegane garantiyi teşkil eder. İşbu kapsamda, satılabilirlik ve belirli bir amaca uygunluk zımni garantileri de dahil olmak üzere, burada görünenin ötesine geçen açık veya zımni herhangi bir başka garanti mevcut değildir. VONROC hiçbir durumda arızı veya dolaylı zararlardan sorumlu tutulamaz.



Bayi tarafından sunulan çözümler; uygun olmayan birimlerin veya parçaların onarımı veya değiştirilmesi ile sınırlıdır.

**Ürün ve kullanım kılavuzunda değişiklik yapılabilir.  
Teknik özellikler, önceden bildirilmeksizin  
değiştirilebilir.**





**DECLARATION OF CONFORMITY  
PH513AC - PATIO HEATER EOLO ON STAND**

- (EN) We declare under our sole responsibility that this product is in conformity with directive 2011/65/EU of the European parliament and of the council of 8 June 2011 on the restriction of the use of certain hazardous substances in electrical and electronic equipment is in conformity and accordance with the following standards and regulations:
- (DE) Der Hersteller erklärt eigenverantwortlich, dass dieses Produkt der Direktive 2011/65/EU des Europäischen Parlaments und des Rats vom 8. Juni 2011 über die Einschränkung der Anwendung von bestimmten gefährlichen Stoffen in elektrischen und elektronischen Geräten entspricht. den folgenden Standards und Vorschriften entspricht:
- (NL) Wij verklaren onder onze volledige verantwoordelijkheid dat dit product voldoet aan de conform Richtlijn 2011/65/EU van het Europees Parlement en de Raad van 8 juni 2011 betreffende beperking van het gebruik van bepaalde gevaarlijke stoffen in elektrische en elektronische apparatuur en in overeenstemming is met de volgende standaarden en reguleringen:
- (FR) Nous déclarons sous notre seule responsabilité que ce produit est conforme aux standards et directives suivants: est conforme à la Directive 2011/65/EU du Parlement Européen et du Conseil du 8 juin 2011 concernant la limitation d'usage de certaines substances dangereuses dans l'équipement électrique et électronique.
- (ES) Declaramos bajo nuestra exclusiva responsabilidad que este producto cumple con las siguientes normas y estándares de funcionamiento: se encuentra conforme con la Directiva 2011/65/UE del Parlamento Europeo y del Consejo de 8 de junio de 2011 sobre la restricción del uso de determinadas sustancias peligrosas en los equipos eléctricos y electrónicos.
- (IT) Dichiariamo, sotto la nostra responsabilità, che questo prodotto è conforme alle normative e ai regolamenti seguenti: è conforme alla Direttiva 2011/65/UE del Parlamento Europeo e del Consiglio dell'8 giugno 2011 sulla limitazione dell'uso di determinate sostanze pericolose nelle apparecchiature elettriche ed elettroniche.
- (SV) Vi garanterar på eget ansvar att denna produkt uppfyller och följer följande standarder och bestämmelser: uppfyller direktiv 2011/65/EU från Europeiska parlamentet och EG-rådet från den 8 juni 2011 om begränsningen av användning av farliga substanser i elektrisk och elektronisk utrustning.
- (DA) Vi erklærer under eget ansvar, at dette produkt er i overensstemmelse med følgende standarder og bestemmelser: er i overensstemmelse med direktiv 2011/65/EU fra Europa-Parlamentet og Rådet af 8. juni 2011 om begrænsning af anvendelsen af visse farlige stoffer i elektrisk og elektronisk udstyr.
- (PL) Deklarujemy na własną odpowiedzialność, że ten produkt spełnia wymogi zawarte w następujących normach i przepisach: jest zgodny z Dyrektywą 2011/65/UE Parlamentu Europejskiego i Rady z dnia 8 czerwca 2011 r. w sprawie ograniczenia stosowania niektórych niebezpiecznych substancji w sprzęcie elektrycznym i elektronicznym.
- (RO) Declarăm prin aceasta cu răspunderea deplină că produsul acesta este în conformitate cu următoarele standarde sau directive: este în conformitate cu Directiva 2011/65/UE a Parlamentului European și a Consiliului din 8 iunie 2011 cu privire la interzicerea utilizării anumitor substanțe periculoase la echipamentele electrice și electronice.
- (TR) Tek sorumlusu biz olmak üzere bu ürünün Avrupa Parlamentosunun 2011/65/EU ve 8 Haziran 2011 tarihli konseyin elektrikli ve elektronik ekipmanlarda belirlenmiş tehlikeli malzeme kullanımının kısıtlanması hakkındaki talimatları ile birlikte aşağıda belirtilen standart ve yonergelere uygun ve uyumlu olduğunu beyan ederiz.

**EMC 2014/30/EU: EN 55014-1:2017+A11:2020, EN 55014-2:2015, EN IEC 61000-3-2:2019, EN 61000-3-3:2013+A1:2019**

**LVD 2014/35/EU: EN 60335-2-30:2009 + A11:2012+A1:2020+A12:2020  
EN 60335-1:2012+A11:2014+A13:2017+ A1:2019+A14:2019+A2:2019,**

**ROHS 2011/65/EU&(EU)2015/863, WEEE 2012/19/EU**

Zwolle, 01-12-2021

H.G.F Rosberg  
CEO

**VONROC • Lingenstraat 6 • 8028 PM Zwolle • The Netherlands**



**VONROC®**  
BUILD YOUR FUTURE

©2021 VONROC  
[WWW.VONROC.COM](http://WWW.VONROC.COM)

2112-16