

WWW.LUXFORM.COM/FILES/GBBA01_
SAFETY INSTRUCTIONS_BATTERY LIGHTING.PDF



NL SCAN MIJ VOOR MEER INFORMATIE
GB SCAN ME FOR MORE INFORMATION
D SCANNEN SIE MICH FÜR WEITERE INFORMATIONEN
F FLASHEZ MOI POUR PLUS D'INFORMATIONS
E ESCANEAR ME PARA MÁS INFORMACIÓN
P DIGITALIZAR ME PARA MAIS INFORMAÇÕES
I SCANSIONE ME PER ULTERIORI INFORMAZIONI
S SKANNA MIG FÖR MER INFORMATION
FIN SKANNATA KERRON LISÄÄ
N SKANNE MEG FOR MER INFORMASION
DK SCANNE MIG FOR MERE INFORMATION
GR σάρωσέ με για περισσότερες πληροφορίες
CZ SKENOVÁNÍ MĚ PRO VÍCE INFORMACÍ
PL SKANOWAC MI WIECEJ INFORMACJI
SL SKENIRANJE ME ZA VEČ INFORMACIJ
RO SCANARE MĂ PENTRU MAI MULTE INFORMATII
LT NUSKAITYTI MANES DAUGIAU INFORMACIJOS
EST SKANEERIDA MINUGA ROHKEM TEAVET
LV SKENET AR MANI VAIRAK INFORM
H ATKUTAT ÉN TOVÁBBI INFORMÁCIÓKAT
RUS САННИ МЕНЯ ДЛЯ ПОЛУЧЕНИЯ
ДОПОЛНИТЕЛЬНОЙ ИНФОРМАЦИИ

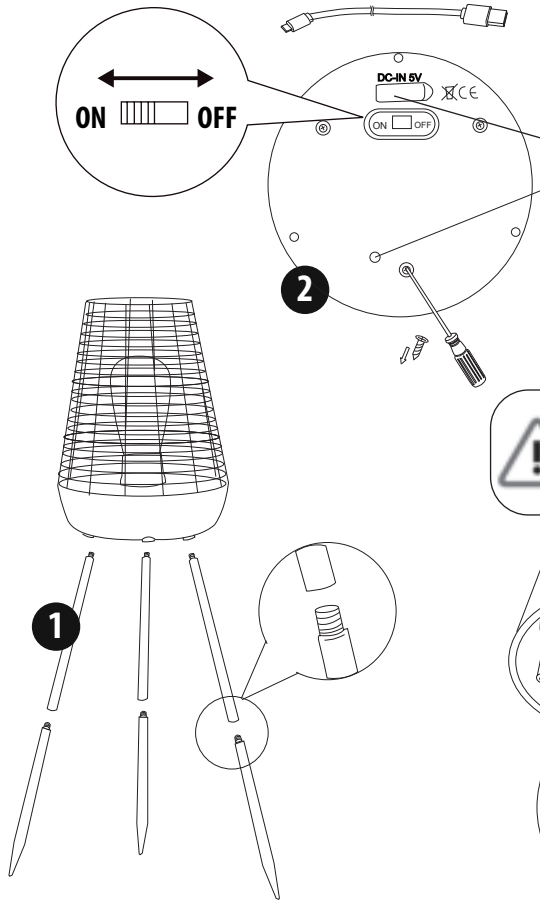
LUXFORM
LIGHTING

LUXFORM GLOBAL BV TRANSPORTSTRAAT 1, 8263BW KAMPEN, THE NETHERLANDS

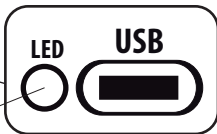
LUXFORM
LIGHTING

USB RECHARGEABLE
CHELSEA TRIPOD





Lights up RED when loading
When fully loaded LED is off



1,5MTR
included

Loading needs to be done indoors
10 hours charge for full battery

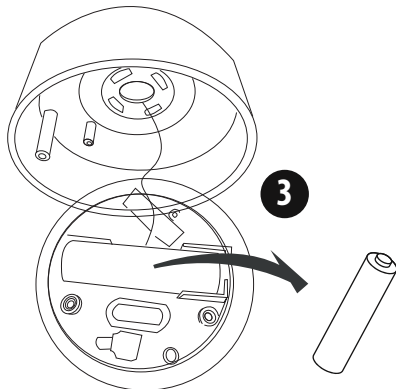


6H ON 18H OFF

Lamp lights for 16 days with
fully loaded battery



USB-cable only to be used to load USB
rechargeable light
Actual charging time is affected by your
charger type



L13
2x SOFTTONE
FILAMENT
LED
L15



M2



M5



M18



M19



P8



P11



C7



C1



C9

