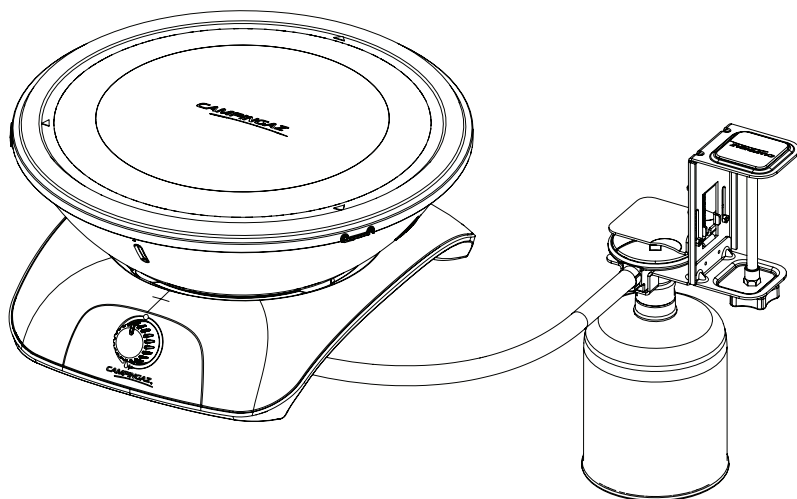


CAMPINGAZ®

360 GRILL CV



GB	INSTRUCTIONS FOR USE	5	CZ	NÁVOD NA POUŽITÍ	57
FR	MODE D'EMPLOI	9	SK	NÁVOD NA POUŽITIE	61
DE	BEDIENUNGSANLEITUNG	13	SI	NAVODILA ZA UPORABO	65
IT	ISTRUZIONI PER L'USO	17	EE	KASUTUSJUHEND	69
NL	GEBRUIKSAANWIJZING	21	RO	MOD DE UTILIZARE	73
ES	INSTRUCCIONES DE EMPLEO	25	HR	PRIMJENA	77
PT	MODO DE EMPREGO	29	HU	HASZNÁLATI UTASITÁS	81
DK	BETJENINGSVEJLEDNING	33	BG	ИНСТРУКЦИИ ЗА УПОТРЕБА	85
NO	BRUKSANVISNING	37	LT	NAUDOJIMO INSTRUKCIJA	89
SE	BRUKSANVISNING	41	LV	LIETOŠANAS INSTRUKCIJA	93
FI	KÄYTTÖOHJE	45	RU	ИНСТРУКЦИЯ ПО ЭКСПЛУАТАЦИИ	97
PL	INSTRUKCJA OBSŁUGI	49	AR	طريقة الاستخدام	101
GR	ΟΔΗΓΙΕΣ ΧΡΗΣΗΣ	53			

FIG. 1A

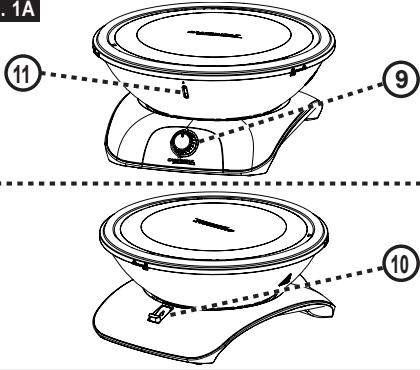


FIG. 1B

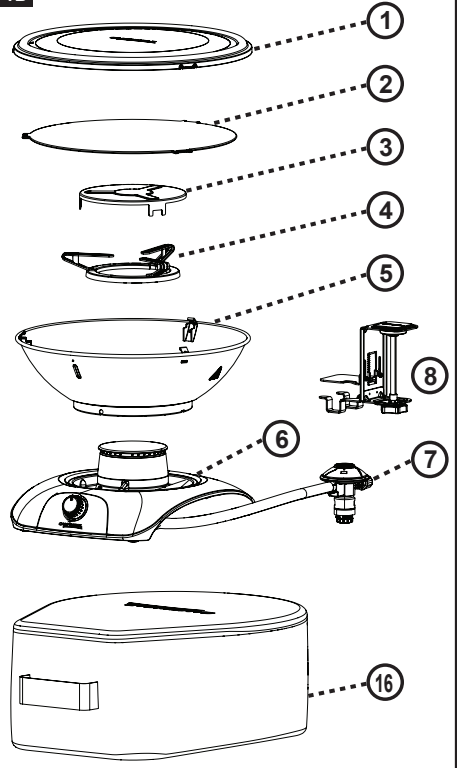


FIG. 2

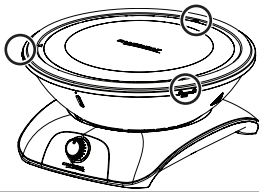


FIG. 3A

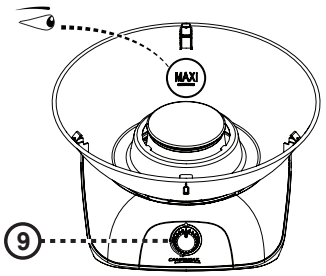


FIG. 3B

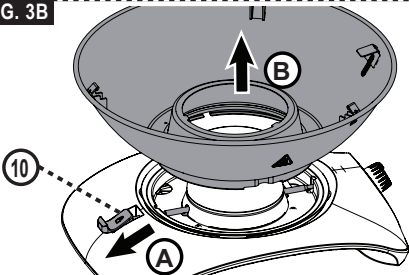


FIG. 3C

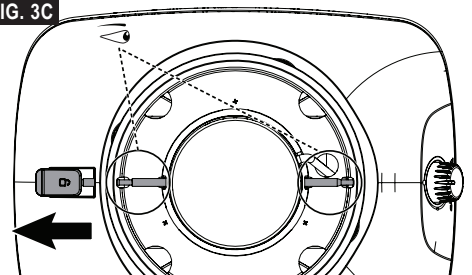


FIG. 3D

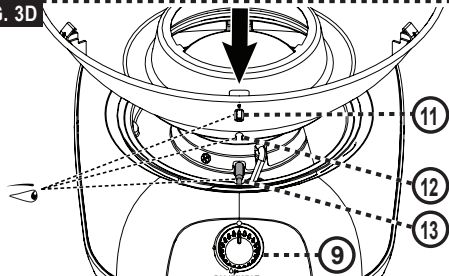
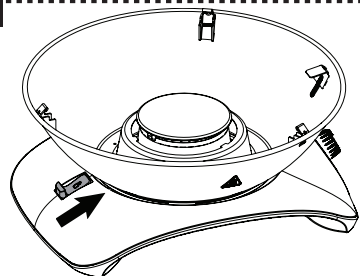


FIG. 3E



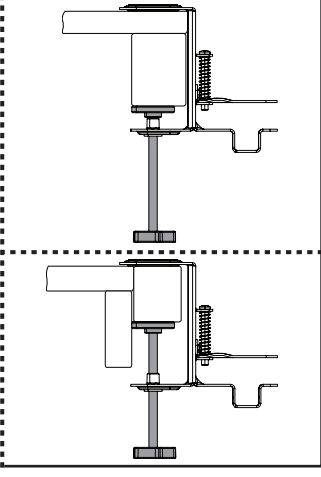
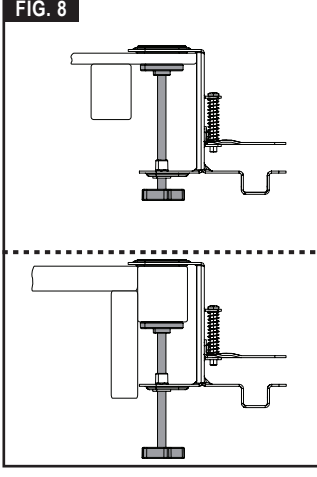
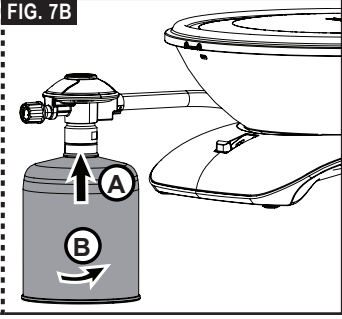
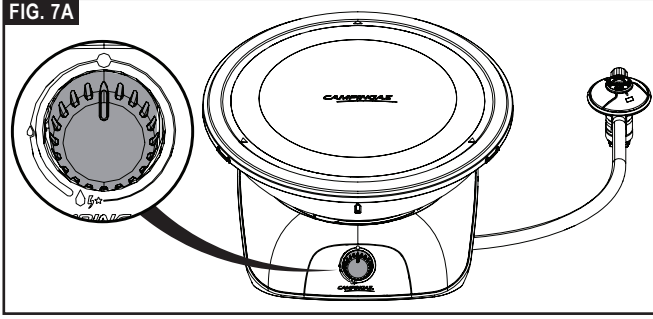
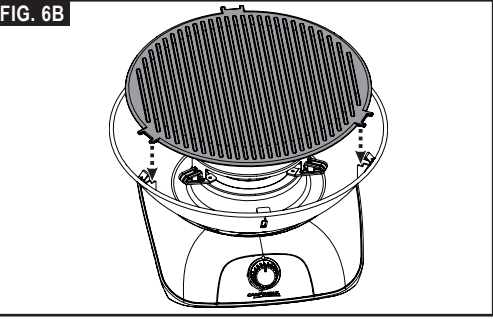
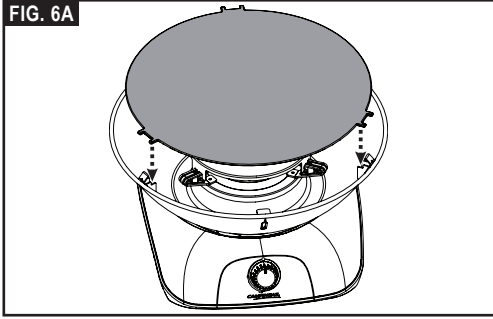
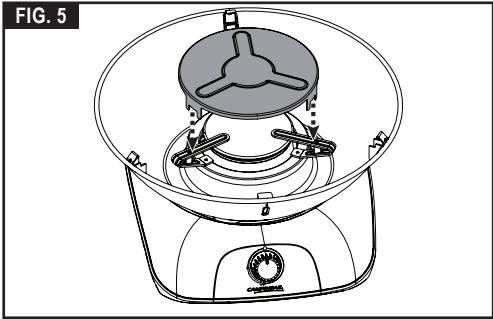
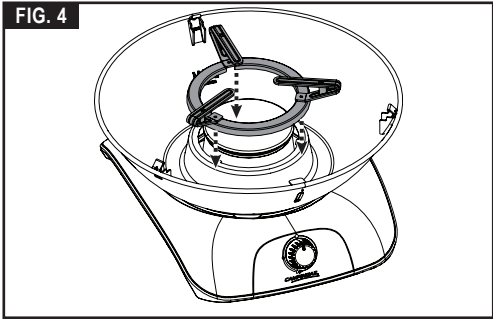


FIG. 10A

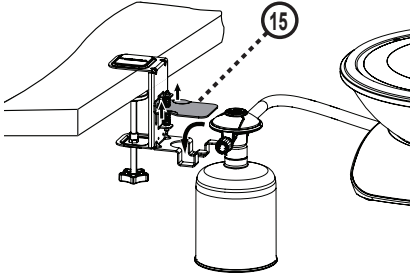


FIG. 10B

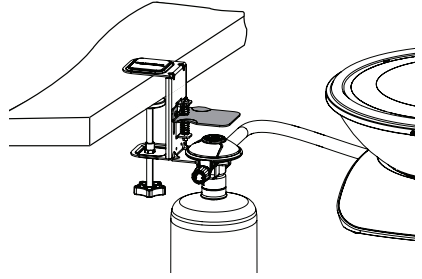


FIG. 10C

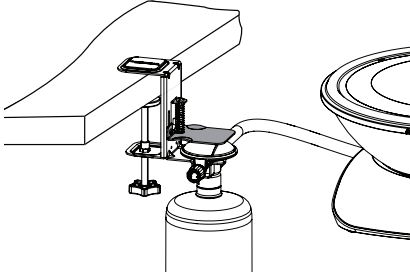


FIG. 11

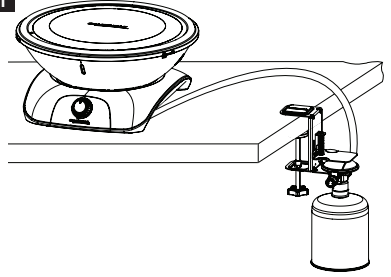


FIG. 12

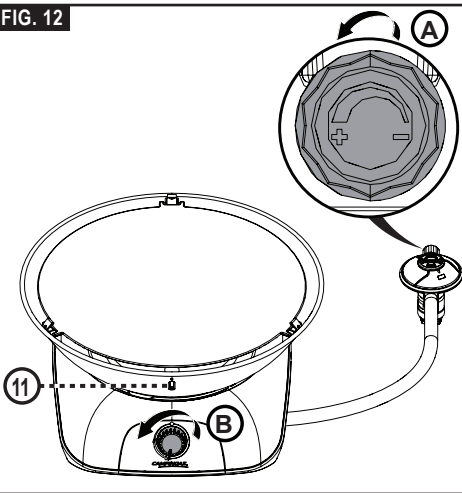


FIG. 13

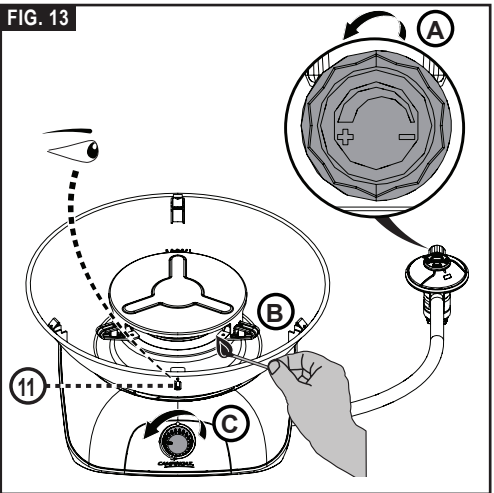
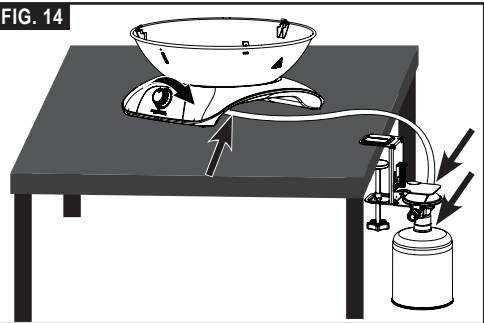


FIG. 14



INSTRUCTIONS FOR USE

NOTE: Unless otherwise specified, following generic terms "appliance / unit / product / equipment / device" appeared in this instruction manual all refer to the product "360 Grill CV".

Rate: 160 g/h (2.2 kW)-injector n° 79

Category : butane direct pressure

Thank you for choosing a Campinggaz® product.

A - IMPORTANT: ALWAYS BE CAREFUL WHEN USING GAS !

- The purpose of these instructions is to enable you to use your Campinggaz® 360 Grill CV correctly and safely.
- Please read them carefully to familiarise yourself with the appliance prior to assembling the gas cartridge.
- Please observe these instructions and the safety measures printed on the Campinggaz® CV 470 PLUS cartridges. Failure to observe these instructions may result in the user and people in the immediate vicinity being put at risk.
- Keep these instructions in a safe place so that you can refer to them if needed.
- This appliance must be used exclusively with Campinggaz® CV 470 PLUS cartridges. Using other gas cartridges may be dangerous.
- The Société Application Des Gaz accepts no responsibility where cartridges of any other brand are used.
- This grill should only be used outdoors, and away from inflammable materials.
- Do not use appliance which leaks, is damaged or functions incorrectly. Instead, return it to your retailer who will inform you of your nearest after-sales service.
- Never modify this appliance or use it for purposes for which it is not intended. Any modification of the appliance could be dangerous.
- Do not use this appliance in caravans, cars, tents, huts, sheds or any small enclosed areas.
- The appliance should not be used while sleeping or left unattended.
- All appliances running on gas consume oxygen and emit other potentially dangerous substances and gases such as carbon monoxide (CO).
- Carbon monoxide is an odorless, clear gas that can cause flu-like symptoms, sickness, illness, and possibly death if produced inside aforesaid enclosed areas through use of the appliance without proper ventilation.

B - YOUR APPLIANCE

Unpack and discover your appliance (Fig. 1A & 1B)

- | | |
|---------------------|-----------------------|
| (1) Plastic lid | (7) Regulator |
| (2) Cooking griddle | (8) Cartridge support |
| (3) Heat diffuser | (9) Control knob |
| (4) Pan support | (10) Lock button |
| (5) Water tank | (16) Carry bag |
| (6) Base | |

C - FITTING A CAMPINGGAZ® CV 470 PLUS CARTRIDGE

(If the existing cartridge is empty, read section G, "Removing the cartridge").

To fit or remove a cartridge, always work in a well ventilated area, preferably outdoors, away from other people and inflammable material, never near a naked flame, heat or spark source (cigarettes, electrical equipment, etc).

AS CAMPINGGAZ® CV 470 PLUS CARTRIDGES ARE VALVE-OPERATED, THEY CAN BE DETACHED FROM THE EQUIPMENT, EASILY TRANSPORTED (EVEN WHEN NOT EMPTY) AND FITTED TO OTHER CAMPINGGAZ® EQUIPMENT IN THE CV 470 PLUS RANGE DESIGNED TO OPERATE EXCLUSIVELY WITH THESE CARTRIDGES.

1. Turn the control knob clockwise to the off position (O) until it stops. (Fig. 7A)
2. Gently screw in the gas cartridge by turning it clockwise until you hear a click (approximately one-sixth of a turn). Do not force the cartridge to turn further than this; you will risk damaging the cartridge valve. (Fig. 7B)

In the event of leakage (smell of gas prior to turning the tap on), take the appliance outside immediately, in a well-ventilated area with no combustion source, where the leak can be located and halted. If you wish to check for leaks on your appliance, do it outside. Do not try to detect leaks using a flame, use soapy water.

D - CHECKING FOR GAS LEAKS

1. Keep away from flammable materials, do not smoke near the appliance.
2. Make sure the control knob is in the "OFF" position (O).
3. Fit the regulator on the gas cartridge (see section C).
4. Never use a flame to detect a gas leak. Use a gas leak solution.
5. Apply the solution to the connections between cartridge/regulator / hose / appliance (Fig. 14).
6. Open the regulator valve (7) (Fig. 1B) by turning counterclockwise from - to + (The control knob should remain in the "OFF" (O) position). Bubbles in the gas leak solution indicate if there is a gas leak.
7. Close the valve of the regulator.
8. The grill must not be used until all leaks have been eliminated.
9. Disconnect the regulator from cartridge and contact the local after sales service for assistance.

Important: Check for leaks at least once per year and each time the gas cartridge is replaced.

GB

E - PREPARATION FOR USE

360 Grill :

A - Plastic lid :

The plastic lid is fastened on the top of the firebox thanks to clips (Fig. 2). He keeps all the inside parts in place during the transport. Remove it before use.

B - Use of the water tank :

Place the appliance on a flat ground. Fill the tank with water till the MAX setting. (Fig. 3A) Pay attention not to spill water on the burner.

After the cooking session, you may disconnect the water tank to throw the mixture of water and grease and clean it. You can use a sponge impregnated with non-abrasive detergent product or put the tank in the dishwasher.

Disconnect the water tank by pulling the lock button (10). Keeping the button pulled till its stop setting, remove the tank by moving it upwards. (Fig. 3B)

After the cleaning, put the tank back on the base:

- 1- Pull the lock button (10) (Fig. 3C)
- 2- Align the flame viewing window (11) with the control knob (9). The notches (12) of the base of the tank must be aligned with the locking axle (13) (Fig. 3D)
- 3- Place the tank on its support
- 4- Release the button, the tank is locked (Fig. 3E)

Fill in the tank with water till the MAX setting if you want to use it again. (Fig. 3A)

C - Pan support :

Put the pan support in place. Pay attention to insert the 3 notches of its base in the 3 flaps of the center of the firebox. The rotation of the support is blocked. Your appliance is ready to be used as a stove. (Fig. 4)

D - Heat diffuser :

Place the heat diffuser on the top of the arms of the pan support aligning the notches of its 3 supports with each arm of the support. (Fig. 5)

E - Cooking griddle :

Place the cooking griddle on its 3 supports on top of the firebox, paying attention to put the surface that you wish on the top. (Fig. 6A & 6B)

Cartridge support :

Your appliance is supplied with a cartridge support. This support allow you to fasten the cartridge at the edge of the table. Thus, the cartridge is far away from the source of heat and the surface of the table is free of it.

- Place your appliance at the center and unroll the hose till the edge of the table.
- Fasten the cartridge support on the edge of the table. The length of the setting screw allows an adaptation to most of the tables. (Fig. 8)

Unscrew the setting screw (14) so that the space between the 2 rubber pads fits the thickness of the frame of your table (Fig. 9A), slice the support on the edge of your table then tighten the screw to ensure a safe fastening to the table. (Fig. 9B)

- Make the pusher (15) slide towards the top and insert the regulator in the housing designed for this purpose. (Fig. 10A & 10B)
- Let the pusher go down, thus the regulator is maintained in place thanks to the spring. (Fig. 10C)
- Check that the hose is unrolled freely, without any torsion or traction, neither contact with hot surfaces of the appliance. (Fig. 11) Never pull on the hose or twist it.

SAFETY PRECAUTIONS

Do not use your appliance at a distance of less than 20 cm from a wall or a combustible object.

Position the appliance on a stable, horizontal surface and do not move when in use to avoid the appearance of large flames resulting from the combustion of liquid butane rather than vaporised butane. Should this occur, turn off the control knob, and re-position the appliance.

Do not use a cooking vessel smaller than 12 cm or larger than 26 cm in diameter.

Before lighting the appliance in Grill or Plancha setting, make sure to fill the reservoir with water to "MAXI" level.

Protect your appliance from wind, its performances will be increased.

Never leave the cooking plate on fire without foodstuffs longer than one minute (except for the initial pre-heating period) otherwise the special coating will be damaged.

To avoid damaging the non-stick coating, always use cooking utensils in silicone or wood to manipulate your dishes.

Wait until the device has completely cooled down before preparing it for storage.

Caution: some parts may be very hot. Keep young children away from the appliance.

It is recommended that protective gloves be worn to handle components which may be very hot.

Never use the appliance until the instructions have been read carefully and understood. Additionally, ensure that:

- there are no leaks.
- make sure the burner tube is not obstructed (by spider webs, etc.).
- the hose does not touch any components which may get hot.

Important : check the presence of flame through the window located on the firebox over the control knob (11) (Fig. 1A). In case the burner extinguishes whilst grilling, close the gas valve immediately and wait 5 minutes to let the gas be evaporated. Re-ignite the appliance after this waiting time.

F - USE

LIGHTING THE BURNER

Piezo ignition (Fig. 12)

1. Open the gas supply turning the valve on the regulator towards "+". (Fig. 12A)
2. Turn the control knob counter-clockwise (towards "0/★") so that it is completely open. Wait for 3s so that the circuit is filled in, then push the knob fully until you hear a click.
3. Repeat pushing 3 or 4 times if necessary until the burner is lit (check flame through the window (11) on the front of the reservoir).
4. If the burner fails to light, turn the control knob clockwise to the off position (O) until it stops. Wait 5 minutes before repeating the operation.
5. If the burner fails to light after the 2nd attempt, you may **A.** proceed to Match Ignition at below section, or **B.** read section I Troubleshooting.

Match Ignition (Fig. 13):

1. Open the gas supply turning the valve on the regulator towards "+". (Fig. 13A)
2. If need to be, remove the cooking griddle, put a lit match near the burner.
3. Turn the control knob to the low power setting (towards 0).
4. Check the presence of the flame through the window (11).
5. Put back the cooking griddle in place.
6. Increase the power turning the knob in the counterclockwise direction until the setting 0/★.

COOKING

A - Using the appliance as a grill

1. Make sure that reservoir is filled with water to the "MAXI" level and the pan support & heat diffuser are installed as described in section E.
2. Pre-heat the cooking plate for around 10 minutes at maximum power in order to reach the ideal temperature for cooking. Place your ingredients on the plate and adjust the temperature with the control knob according to your tastes.
3. After 1 hour of cooking, check the quantity of water in the tank. Add water till the MAX level if need to be.

The cooking plate is covered with a high quality non-sticking material which ensures healthy cuisine without adding fat or oil.

Fatty substances are collected in the water reservoir, your meal is perfectly healthy (no residual or carbonised fats), your ingredients retain all their savor.

A bluish discolouration of the cooking plate is due to the strong heat development. This is without any impact on the quality of the used material.

B - Using the appliance as a stove

IMPORTANT: Cooking plate must be taken away when using the appliance as a stove. Never place cooking vessels on the cooking plate or heat diffuser.

Place a cooking vessel (frying pan, pan...) on the pan support, centered over the burner. Ensure that the flame does not exceed the underside of the cooking vessel.

Do not use a cooking vessel smaller than 12 cm or larger than 26 cm in diameter.

SHUTTING DOWN

Turn the control knob clockwise to the off position (O) until it stops.

G - REMOVING THE CARTRIDGE

The cartridge can be removed even if not empty.

1. Turn the control knob clockwise to the off position (O) until it stops.
2. Wait for the appliance to cool down.
3. Holding the regulator, unscrew the gas cartridge by turning it counter-clockwise until you hear a click (approximately one-sixth of a turn), then remove it.
4. Never throw away a cartridge which is not completely empty. Check that there is no liquid in the cartridge by shaking it.

H - MAINTENANCE & STORAGE

If you take care of your appliance properly, you will be able to enjoy using it for many years.

- Do not clean your appliance when it is being used. Wait until it has cooled down to avoid burns caused by hot parts (griddle, grid, pan support, reservoir etc.).
- Once the unit is cold (approximately 15 minutes) remove the cooking plate, the heat diffuser and the pan support. Unlock the tank from the base following section E. Empty the water.
- Clean greasy parts with soap and water or a non-abrasive detergent product.
- To simplify cleaning, the lid, cooking plate, tank, pan support, can be washed in a dishwasher.
- When cleaning, be careful to avoid clogging the burner holes. If the holes are clogged, for example by food that has spilled over, open them with a non-metal brush.
- After cleaning, assemble the removable parts of the appliance back, put the lid back and close it, pressing on the 3 clips. (Fig. 2)
- The unit should be stored in a safe, secure, and dry place, out of the reach of children and never in a cellar.
- If the appliance will not be used for a long period of time, disconnect the cylinder as indicated in section G.
- If the device has not been used for 30 days, check to see that cobwebs are not clogging the burner hose openings; this could lead to decreased burner efficiency or to a dangerous ignition of gas outside the burner.
- Store your appliance in the bag (16). This bag allows you to carry your appliance easily or to store it away from dust.

GB

I - TROUBLESHOOTING

In case of burn back (ignition under the burner cap) switch the product off, allow it to cool down (approximately five minutes), then reignite the appliance. If the problem of burn back persists, then please contact your local Campingaz® representative.

Possible problems	Probable causes / Corrective action
The burner does not light up	<ul style="list-style-type: none">• Poor gas supply• Regulator not operating properly• Pipe, valve, venturi tube or burner holes obstructed. Clean the venturi.
The burner does not burn smoothly or goes out	<ul style="list-style-type: none">• Check that gas is present• Check the pipe connection• Contact your servicing agent.
Unstable blowing flames	<ul style="list-style-type: none">• New cylinder may contain air. Allow the appliance to operate and the fault will clear itself• Residual water, after the washing of the burner or filling/emptying of the bowl. Allow the appliance to operate and the fault will clear itself.• Contact your servicing agent.
Large plume of flame on the burner surface	<ul style="list-style-type: none">• The venturi is obstructed (possibly cobwebs)• Contact your servicing agent.
Flame at the injector	<ul style="list-style-type: none">• The cylinder is almost empty• Change the cylinder and the fault will clear itself• Contact your servicing agent.
Burning leak around a union	<ul style="list-style-type: none">• Shut off the gas supply immediately• Leaking union: tighten nuts or change pipe• Contact your servicing agent.
Insufficient heat	<ul style="list-style-type: none">• Injector or venturi tube obstructed. Clean the venturi.• Contact your servicing agent.
Burning leak behind the adjustment knob	<ul style="list-style-type: none">• Defective valve• Shut down the stove• Contact your servicing agent.

GB

MODE D'EMPLOI

REMARQUE : Sauf mention contraire, les termes génériques suivants " appareil / unité / produit / équipement / installation " utilisés dans le présent mode d'emploi font tous référence au produit " 360 Grill CV ".

Débit : 160 g/h (2.2 kW)-injecteur n° 79

Catégorie : pression directe butane

Nous vous remercions d'avoir choisi un produit Campinggaz®.

A - IMPORTANT: VOUS UTILISEZ DU GAZ, SOYEZ PRUDENT!

- Ce mode d'emploi a pour objet de vous permettre d'utiliser correctement et en toute sécurité votre appareil Campinggaz® 360 Grill CV.
- Consultez la notice pour vous familiariser avec l'appareil avant de connecter la cartouche de gaz.
- Respectez les instructions de ce mode d'emploi ainsi que les consignes de sécurité figurant sur les cartouches Campinggaz® CV 470 PLUS. Le non respect de ces instructions peut être dangereux pour l'utilisateur et son entourage.
- Conservez ce mode d'emploi en permanence en lieu sûr afin de pouvoir vous y reporter en cas de besoin.
- Cet appareil doit être exclusivement utilisé avec les cartouches Campinggaz® CV 470 PLUS. L'utilisation d'autres cartouches de gaz peut être dangereuse.
- La Société Application Des Gaz n'assume aucune responsabilité lorsque des cartouches de toute autre marque sont utilisées.
- Cet appareil ne doit être utilisé qu'à l'extérieur et éloigné de matériaux inflammables.
- Ne pas utiliser un appareil qui fuit, qui fonctionne mal ou qui est détérioré. Le rapporter à votre vendeur qui vous indiquera le service après-vente le plus proche.
- Ne jamais modifier cet appareil, ni l'utiliser pour des applications auxquelles il n'est pas destiné.
- Ne pas utiliser cet appareil dans des caravanes, des voitures, des tentes, des cabanes, des abris ou dans tout autre endroit confiné.
- Ne pas utiliser cet appareil quand vous dormez et ne pas le laisser sans surveillance. Toute modification de l'appareil peut être dangereuse.
- Tous les appareils fonctionnant au gaz consomment de l'oxygène et émettent d'autres substances et gaz potentiellement dangereux comme du monoxyde de carbone (CO).
- Le monoxyde de carbone, inodore et incolore, peut provoquer des malaises et des symptômes qui rappellent la grippe, voire éventuellement la mort si l'appareil est utilisé à l'intérieur d'un petit espace clos sans ventilation adéquate.

B - VOTRE APPAREIL

Déballiez et prenez connaissance de votre appareil (Fig. 1A & 1B)

- | | |
|--------------------------|-----------------------------|
| (1) Couvercle plastique | (7) Détendeur |
| (2) Plaque de cuisson | (8) Support de cartouche |
| (3) Diffuseur de chaleur | (9) Volant de commande |
| (4) Support casserole | (10) Bouton de verrouillage |
| (5) Cuve réservoir à eau | (16) Sac de rangement |
| (6) Base | |

C - MISE EN PLACE D'UNE CARTOUCHE CAMPINGAZ® CV 470 PLUS

Si une cartouche vide est en place, lire le paragraphe G : "Démontage de la cartouche").

Lors de l'installation ou du changement de cartouche, procédez toujours dans un endroit bien ventilé, de préférence à l'extérieur, jamais à côté d'une flamme, d'une source de chaleur ou d'une étincelle (cigarette, appareil électrique, etc.) et à l'écart des personnes ainsi que des matériaux inflammables.

LES CARTOUCHES CAMPINGAZ® CV 470 PLUS ETANT A VALVE, ELLES PEUVENT ETRE DEMONTEES DE CET APPAREIL AFIN DE FACILITER SON TRANSPORT MEME SI ELLES NE SONT PAS VIDES ET REMONTEES SUR D'AUTRES APPAREILS CAMPINGAZ® DE LA GAMME CV 470 PLUS CONÇUS POUR FONCTIONNER EXCLUSIVEMENT SUR CES CARTOUCHES.

1. Tournez le bouton de commande dans le sens horaire en position d'arrêt (O) jusqu'à ce qu'il ne tourne plus. (Fig. 7A)
2. Vissez doucement la cartouche de gaz en la tournant dans le sens horaire jusqu'à ce qu'elle émette un clic. (environ un sixième de tour). Ne plus visser la cartouche au-delà : vous risquez de détériorer sa valve. (Fig. 7B)

En cas de fuite (odeur de gaz avant d'ouvrir le robinet), mettez immédiatement l'appareil à l'extérieur dans un endroit très ventilé, sans source d'inflammation, où vous pourrez localiser la fuite et y remédier. Si vous désirez vérifier l'absence de fuites sur votre appareil, n'utilisez jamais de flamme, utilisez de l'eau savonneuse.

D - ESSAI D'ETANCHEITE

1. Eloigner les matériaux inflammables, ne pas fumer.
2. S'assurer que le bouton de réglage est en position "OFF" (O).
3. Assembler le détendeur sur la cartouche de gaz (voir section C).
4. Ne jamais utiliser de flamme pour détecter une fuite de gaz utiliser un liquide de détection de fuites gazeuses.
5. Mettre le liquide sur les raccords cartouche / détendeur / tuyau / appareil (Fig. 14).
6. Ouvrir le robinet du détendeur (7) (Fig. 1B) en tournant dans le sens anti-horaire du - vers le + (Le bouton de réglage doit rester en position "OFF" (O)). Si des bulles se forment, cela signifie qu'il y a des fuites de gaz.
7. Fermer le robinet du détendeur.
8. L'appareil ne doit pas être mis en service avant que la fuite ait disparu.
9. Débranchez le détendeur de la cartouche puis contactez votre service après-vente local pour obtenir de l'assistance.

Important : Il faut effectuer au moins une fois par an le contrôle et la recherche des fuites et à chaque fois qu'il y a changement de la bouteille de gaz.

FR

E - MISE EN SERVICE

360 Grill :

A - Couvercle plastique :

Le couvercle plastique est fixé sur le haut de la cuve à l'aide de clips (Fig. 2). Il maintient toutes les pièces intérieures en place pendant le transport. Retirez-le avant tout usage.

B - Utilisation du bac à eau :

Placez l'appareil sur un sol horizontal. Remplissez le réservoir avec de l'eau jusqu'au niveau MAXI. (Fig. 3A) Faites attention à ne pas renverser d'eau sur le brûleur.

Après la cuisson, vous pouvez déconnecter votre bac à eau pour jeter le mélange d'eau et de graisse et le nettoyer. Vous pouvez utiliser une éponge imprégnée de liquide vaisselle ou passer le bac au lave-vaisselle.

Déconnectez le bac à eau en tirant sur le bouton de verrouillage/déverrouillage (10). Tout en maintenant le bouton tiré jusqu'à sa butée, retirez le bac en le soulevant. (Fig. 3B)

Après le nettoyage, repositionnez le bac sur la base:

- 1- Tirez sur le bouton de verrouillage (10) (Fig. 3C)
- 2- Alignez la fenêtre de visualisation de la flamme (11) sur le volant de commande (9). Les fentes (12) de la base de la cuve s'alignent sur l'axe de verrouillage (13) (Fig. 3D)
- 3- Mettez la cuve en place sur son support
- 4- Relâchez le bouton, la cuve est verrouillée (Fig. 3E)

Remplissez le bac d'eau jusqu'au niveau MAXI lorsque vous souhaitez le réutiliser. (Fig. 3A)

C - Support de casserole :

Mettez en place le support de casserole. Veillez à insérer les 3 encoches de sa base sur les 3 pattes du centre de la cuve. Le support est bloqué en rotation. Votre appareil est prêt à fonctionner en réchaud. (Fig. 4)

D - Diffuseur de chaleur :

Placez le diffuseur thermique sur les bras du support casserole en alignant les encoches de ses 3 supports sur chaque bras du support. (Fig. 5)

E - Plaque de cuisson :

Placez la plaque de cuisson sur ses 3 supports au sommet de la cuve en veillant à positionner la surface de cuisson que vous souhaitez sur le dessus. (Fig. 6A & 6B)

Support de cartouche :

Votre appareil est fourni avec un support de cartouche. Ce support permet de fixer la cartouche au bord de la table. Ainsi, la cartouche est éloignée de la source chaude et la surface de la table est libérée de sa présence.

- Positionnez votre appareil au centre et déroulez le tuyau jusqu'au bord de la table.
- Fixez le support de cartouche au bord de la table. La longueur de la vis de réglage permet de s'adapter à la plupart des tables. (Fig. 8)

Dévissez la vis de réglage (14) de manière à ce que l'espace entre les 2 patins caoutchouc correspondent à l'épaisseur du cadre de votre table (Fig. 9A), glissez le support sur l'arête de votre table et resserrez la vis pour une fixation sûre à la table. (Fig. 9B)

- Faites coulisser le poussoir (15) vers le haut et insérez le détenteur dans le logement prévu à cet effet. (Fig. 10A & 10B)
- Laissez descendre le poussoir, le détenteur est maintenu en place grâce au ressort. (Fig. 10C)
- Vérifiez que le tuyau se déroule normalement, sans torsion ou traction, ni contact avec les parois chaudes de l'appareil. (Fig. 11) Ne pas tirer sur le tuyau ou le vriller.

PRÉCAUTIONS D'EMPLOI

N'utilisez pas l'appareil à une distance inférieure à 20 cm d'un mur ou d'un objet combustible.

Placez l'appareil sur une surface horizontale stable et ne le déplacez pas pendant son utilisation afin d'éviter toute production de grandes flammes résultant de la combustion de butane liquide et non de butane vaporisé. Dans ce cas, tournez le bouton de contrôle en position d'arrêt et déplacez l'appareil.

Ne pas utiliser de récipients de diamètre inférieur à 12 cm ou supérieur à 26 cm.

Avant d'allumer l'appareil en configuration grill ou Plancha, assurez-vous d'avoir rempli le réservoir d'eau jusqu'au niveau « MAXI ».

Utilisez votre appareil à l'abri du vent, ses performances seront meilleures.

Ne laissez jamais la plaque de cuisson sur le feu sans aliments plus d'une minute (sauf pour la période initiale de préchauffage) ceci endommagerait le revêtement spécial.

Pour ne pas endommager le revêtement anti-adhérent, utilisez toujours des ustensiles en silicone ou en bois pour manipuler vos aliments.

Attendez que l'appareil ait entièrement refroidi avant de le préparer pour le rangement.

Attention : certaines pièces peuvent être très chaudes. Tenez les jeunes enfants à l'écart de l'appareil.

Il est recommandé de porter des gants protecteurs pour manipuler des éléments particulièrement chauds.

Ne pas mettre l'appareil en marche avant d'avoir lu attentivement et compris toutes les instructions. S'assurer aussi:

- qu'il n'y a pas de fuites.
- que le tube de brûleur n'est pas obstrué (exemple : toiles d'araignées).
- que le tuyau n'est pas en contact avec des pièces pouvant devenir chaudes

Important : surveillez la présence de la flamme par la fenêtre située sur la cuve au-dessus du volant de commande (11) (Fig. 1A). Si le brûleur s'éteint en cours d'utilisation, fermer immédiatement la valve d'alimentation en gaz et attendre 5 minutes pour laisser le gaz s'évaporer. Rallumer ensuite l'appareil.

F - UTILISATION

ALLUMAGE DU BRÛLEUR

Allumage piézoélectrique (Fig. 12)

1. Ouvrir l'alimentation en gaz en tournant la valve présente sur le détendeur vers le symbole « + ». (Fig. 12A)
2. Tournez le bouton de commande dans le sens antihoraire (vers "⚙️") de manière à ce qu'il soit complètement ouvert. Attendez 3s pour que le circuit se remplisse puis poussez le volant à fond jusqu'à ce qu'il émette un Clic.
3. Recommencez l'opération 3 ou 4 fois, si nécessaire, jusqu'à ce que le brûleur soit allumé (vérifiez la flamme à travers la fenêtre (11) à l'avant du réservoir).
4. Si le brûleur ne s'allume pas, tournez le bouton de commande dans le sens horaire en position d'arrêt (O) jusqu'à ce qu'il ne bouge plus. Attendez 5 minutes avant de recommencer l'opération.
5. Si le brûleur ne s'allume pas à la deuxième tentative, vous pouvez **A.** passer à la section Allumage avec une allumette, ou **B.** lire la section I Anomalies/Remèdes.

Allumage avec une allumette (Fig. 13):

1. Ouvrir l'alimentation en gaz en tournant la valve présente sur le détendeur vers le symbole « + ». (Fig. 13A)
2. Si nécessaire, retirez la plaque de cuisson, placez une allumette allumée à proximité du brûleur.
3. Tournez le bouton de commande sur la position faible chaleur (vers ⚙️).
4. Vérifiez la présence de la flamme à travers la fenêtre (11).
5. Remplacez la plaque de cuisson.
6. Augmentez la puissance en tournant le volant de commande dans le sens anti-horaire jusqu'à la position ⚙️.

CUISSON

A - Utilisation de l'appareil comme un grill

1. Assurez-vous que le réservoir est rempli d'eau jusqu'au niveau « MAXI » et que le support de casserole et le diffuseur de chaleur sont installés de la manière décrite à la section E.
2. Laissez préchauffer la plaque de cuisson 10 minutes environ à débit maximum pour atteindre la température idéale de cuisson. Placez vos ingrédients sur la plaque et, à l'aide du bouton de commande, réglez la température selon vos goûts.
3. Après une heure de cuisson, vérifiez la quantité d'eau dans le réservoir. Ajouter de l'eau jusqu'au niveau MAX si nécessaire.

La plaque de cuisson est revêtue d'un traitement antiadhérence de haute qualité, qui permet une cuisson saine sans ajout de graisse.

Grâce à la récupération des graisses dans le bac à eau, la cuisson est parfaitement saine (pas de graisses résiduelles ou carbonisées) et les aliments gardent tout leur goût et leur moelleux..

La décoloration bleutée de la plaque de cuisson est due à une forte production de chaleur. Ceci n'a pas d'impact sur la qualité du matériau utilisé.

B - Utilisation de l'appareil comme un réchaud

IMPORTANT: retirez la plaque de cuisson et le diffuseur de chaleur quand vous utilisez l'appareil comme un réchaud. Ne placez jamais de récipient de cuisson sur la plaque de cuisson ou sur le diffuseur de chaleur.

Placez le récipient de cuisson (poêle, casserole..) sur le support, centré au-dessus du brûleur. Veillez à ce que la flamme ne dépasse pas le fond du récipient de cuisson.

Ne pas utiliser de récipients de diamètre inférieur à 12 cm ou supérieur à 26 cm.

ARRÊT

Tournez le bouton de commande dans le sens horaire en position d'arrêt (O) jusqu'à ce qu'il ne tourne plus.

G - DEMONTAGE DE LA CARTOUCHE

Vous pouvez retirer la cartouche, même si elle n'est pas vide.

1. Tournez le bouton de commande dans le sens horaire en position d'arrêt (O) jusqu'à ce qu'il ne tourne plus.
2. Attendez que l'appareil refroidisse.
3. Tout en maintenant le détendeur, dévissez la cartouche de gaz en la tournant dans le sens anti-horaire, jusqu'à ce que vous entendiez un clic (environ un sixième de tour), puis retirez-la.
4. Ne jamais jeter une cartouche qui n'est pas vide (vérifier l'absence de bruit de liquide en la secouant).

H - STOCKAGE - ENTRETIEN

Entretenez votre appareil régulièrement ; vous en serez satisfait pendant de nombreuses années.

- Ne pas nettoyer votre appareil durant son fonctionnement. Attendre qu'il ait refroidi pour éviter des brûlures dues aux parties chaudes (plaque, cuve, etc.).
- Une fois que l'appareil est froid (environ 15 minutes), retirez la plaque de cuisson, le diffuseur thermique et le support casserole. Déverrouillez la cuve de la base suivant section E. Videz l'eau.
- Nettoyez les parties grasses avec de l'eau et du savon ou un produit détergent non abrasif.
- Pour simplifier le nettoyage, le couvercle, la plaque de cuisson, la cuve et le support casserole sont lavables au lave-vaisselle. Vous pouvez laver la base en plastique à l'aide d'une éponge imprégnée de produit vaisselle.
- Lors du nettoyage, veillez à ne pas obstruer les trous des brûleurs. S'ils sont bouchés, par exemple par des débordements d'aliments, déboucher les trous avec une brosse non métallique.
- Après le nettoyage, re-assemblez les pièces amovibles de l'appareil , remplacez le couvercle et refermez-le en pressant sur les 3 clips. (Fig. 2)
- L'appareil doit être stocké dans un endroit frais, sec et aéré, hors de portée des enfants, jamais dans un sous-sol ou une cave.
- En cas d'inutilisation prolongée, déconnectez la cartouche de l'appareil en procédant comme au paragraphe G.
- Si l'appareil n'a pas été utilisé pendant plus de 30 jours, vérifiez que des toiles d'araignées ne bouchent pas les orifices du tube de brûleur, ce qui peut conduire à une diminution de l'efficacité de l'appareil ou à une inflammation dangereuse du gaz hors du brûleur.
- Rangez votre appareil dans le sac de rangement (16) fourni. Ce sac permet de transporter votre appareil facilement ou de le stocker à l'abri de la poussière.

FR

I - ANOMALIES / REMÈDES

En cas de retour de flamme (allumage sous la cuvette du brûleur), éteindre le produit, le laisser refroidir (pendant cinq minutes environ), puis rallumer l'appareil. Si le problème de retour de flamme persiste, veuillez prendre contact avec votre représentant Campingaz® local.

Anomalies	Causes probables / remèdes
Le brûleur ne s'allume pas	<ul style="list-style-type: none">• Mauvaise arrivée du gaz• Détendeur ne fonctionne pas• Tuyau, robinet, tube venturi ou orifices du brûleur sont bouchés. Nettoyez le venturi.
Le brûleur a des ratés ou s'éteint	<ul style="list-style-type: none">• Vérifier s'il y a du gaz• Vérifier le branchement du tuyau• Voir le S.A.V.
Flammes soufflantes instables	<ul style="list-style-type: none">• Bouteille neuve pouvant contenir de l'air. Laisser fonctionner et le défaut disparaîtra• Présence d'eau résiduelle après nettoyage du brûleur ou remplissage/vidage de la cuve. Laisser fonctionner et le défaut disparaîtra.• Voir le S.A.V
Grand panache de flammes à la surface du brûleur	<ul style="list-style-type: none">• Le tube venturi est obstrué (ex: toiles d'araignées) : nettoyer le tube venturi.• Voir le S.A.V
Flamme à l'injecteur	<ul style="list-style-type: none">• La bouteille est presque vide• Changer de bouteille et le défaut disparaîtra• Voir le S.A.V
Fuite enflammée au raccord	<ul style="list-style-type: none">• Fermer immédiatement l'arrivée du gaz• Raccord non étanche : resserrer les écrous ou changer le tuyau• Voir le S.A.V.
Chaleur insuffisante	<ul style="list-style-type: none">• Injecteur ou tube venturi bouché. Nettoyez le venturi.• Voir le S.A.V.
Fuite enflammée derrière le bouton de réglage	<ul style="list-style-type: none">• Robinet défectueux• Arrêter l'appareil• Consulter le S.A.V.

BEDIENUNGSANLEITUNG

HINWEIS: Falls nicht anders festgelegt, beziehen sich alle folgenden, in dieser Bedienungsanleitung angeführten Oberbegriffe, „Gerät/Einheit/Produkt/Equipment/Vorrichtung“ auf das Produkt „360 Grill CV“.

Verbrauch: 160 g/h (2.2 kW)-Düse n° 79

Kategorie: Direktdruck Butan

Vielen Dank, dass Sie sich für ein Campinggaz®-Produkt entschieden haben.

A - WICHTIG: SIE VERWENDEN GAS, SEIEN SIE VORSICHTIG !

- Das Ziel dieser Anleitung ist, dass Sie Ihren Campinggaz® 360 Grill CV korrekt und sicher verwenden können.
- Lesen Sie die Bedienungsanleitung vor Inbetriebnahme des Gerätes und machen Sie sich mit dem Gerät vertraut, bevor Sie die Gaskartusche anbringen.
- Beachten Sie bitte alle Anweisungen in der Bedienungsanleitung sowie die Sicherheitshinweise auf den Campinggaz® Kartuschen CV 470 PLUS. Das Nichteinhalten der Anweisungen kann für den Anwender und seine Umgebung gefährlich sein.
- Bewahren Sie diese Bedienungsanleitung an einem sicheren Ort auf, damit Sie im Bedarfsfall immer auf sie zurückgreifen können.
- Dieses Gerät darf ausschließlich mit Campinggaz® CV 470 PLUS-Kartuschen verwendet werden. Die Verwendung anderer Gaskartuschen kann gefährlich sein.
- Die Société Application Des Gaz übernimmt keine Verantwortung, wenn Kartuschen anderer Marken verwendet werden.
- Dieser Grill darf nur im Freien und fern von brennbaren Materialien verwendet werden.
- Verwenden Sie keine Geräte, die lecken, beschädigt sind oder nicht korrekt funktionieren. Geben Sie sie stattdessen bei Ihrem Händler zurück, der Ihnen sagen kann, wo sich der nächste Kundendienst befindet.
- Das Gerät nicht verändern oder für einen anderen als den vorgesehenen Verwendungszweck verwenden. Jede Änderung am Gerät könnte gefährlich sein.
- Verwenden Sie dieses Gerät nicht in Wohnwagen, Autos, Zelten, Hütten, Schuppen oder sonstigen abgeschlossenen Räumen.
- Das Gerät darf nicht verwendet werden, wenn man schläft oder es unbeaufsichtigt ist.
- Alle Geräte, die mit Gas betrieben werden, verbrauchen Sauerstoff und geben andere, möglicherweise gefährliche Stoffe und Gase wie Kohlenmonoxid (CO) ab.
- Kohlenmonoxid ist geruch- und farblos, es kann Übelkeit und grippeähnliche Symptome verursachen, eventuell sogar zum Tod führen, wenn das Gerät in einem geschlossenen Raum ohne geeignete Belüftung verwendet wird.

B - IHR GRILL

Den Grill auspacken und Übersicht (Abb. 1A & 1B)

- | | |
|----------------------|-------------------------|
| (1) Kunststoffdeckel | (7) Regulator |
| (2) Grillplatte | (8) Patronenhalterung |
| (3) Hitzeverteiler | (9) Bedienknopf |
| (4) Topfträger | (10) Verriegelungsknopf |
| (5) Wasserbehälter | (16) Tragetasche |
| (6) Fuß | |

C - EINSETZEN EINER KARTUSCHE CAMPINGGAZ® CV 470 PLUS

(Befindet sich eine leere Kartusche am Gerät, lesen Sie bitte den Abschnitt G: "Ausbau der Kartusche").

Wenn Sie eine Kartusche anbringen oder austauschen, arbeiten Sie immer in einem sehr gut belüfteten Raum, am besten draußen, niemals in der Nähe von Flammen, Wärmequellen oder Funken (Zigarette, elektrische Vorrichtungen, etc.) und so weit von Personen und entflammaren Materialien entfernt wie möglich.

DIE CAMPINGGAZ® KARTUSCHEN CV 470 PLUS VERFÜGEN ÜBER EIN VENTIL. SIE KÖNNEN DAHER FÜR EINFACHEN TRANSPORT VOM GERÄT ABGENOMMEN WERDEN, AUCH WENN SIE NOCH NICHT LEER SIND. SIE LASSEN SICH DANN IN ANDEREN CAMPINGGAZ® GERÄTEN DER CV 470 PLUS LINIE, DIE AUSSCHLIESSLICH FÜR DEN BETRIEB MIT DIESEN KARTUSCHEN ENTWICKELT WURDEN, WEITER VERWENDEN.

1. Drehen Sie den Regelknopf im Uhrzeigersinn bis zum Anschlag in die Aus-Stellung (O). (Abb. 7A)
2. Schrauben Sie die Gaspatrone vorsichtig ein, indem Sie sie im Uhrzeigersinn drehen, bis Sie einen Klick hören (etwa 1/6 Umdrehung). Kartusche nicht weiter einschrauben, Sie könnten das Ventil beschädigen. (Abb. 7B)

Bringen Sie das Gerät im Fall eines Lecks (Gasgeruch vor Öffnen des Ventils) sofort nach draußen in einen gut belüfteten Bereich mit keinen Brandquellen, an dem das Leck gefunden und geschlossen werden kann. Wenn Sie Ihr Gerät auf Lecks untersuchen möchten, dann tun Sie dies draußen. Versuchen Sie nicht, Lecks mit einer Flamme zu finden, verwenden Sie Seifenwasser.

D - PRÜFEN AUF GASLECKS

1. Halten Sie das Gerät von brennbaren Materialien fern und rauchen Sie nicht in der Umgebung des Geräts.
2. Vergewissern Sie sich, dass sich der Bedienungsknopf in der „AUS“-Position (O) befindet.
3. Bringen Sie die Gaskartusche am Regler an (siehe Abschnitt C).
4. Verwenden Sie niemals eine Flamme, um ein Gasleck aufzuspüren. Verwenden Sie dazu eine Spülmittellösung zur Lecksuche.
5. Tragen Sie die Lösung auf die Verbindungen zwischen Kartusche/Regler/Schlauch/Gerät auf (Abb. 14).
6. Öffnen Sie das Regulierventil (7) (Abb. 1B), indem Sie es gegen den Uhrzeigersinn von - auf + drehen (der Bedienungsknopf muss in der Stellung „OFF“ (O) bleiben). Bilden sich Blasen in der Lösung, deutet dies auf ein Gasleck hin.
7. Schließen Sie das Regulierventil.
8. Der Grill darf erst verwendet werden, wenn alle Lecks beseitigt wurden.
9. Trennen Sie die Kartusche vom Regler und wenden Sie sich an den örtlichen Kundendienst.

Wichtig: Prüfen Sie die Verbindung mindestens einmal pro Jahr auf Lecks und immer dann, wenn die Gaskartusche ausgetauscht wurde.

E - INBETRIEBNAHME

360 Grill:

A - Kunststoffdeckel:

Der Kunststoffdeckel wird mithilfe von Klammern auf der Oberseite des Feuerraums befestigt (Abb. 2). Er hält alle Innenteile während des Transports an ihrem Platz. Entfernen Sie ihn vor der Verwendung.

B - Verwendung des Wasserbehälters:

Stellen Sie den Grill auf eine ebene Fläche. Füllen Sie den Behälter bis zur Markierung MAX mit Wasser. (Abb. 3A) Achten Sie darauf, dass kein Wasser auf den Brenner spritzt.

Nach dem Gebrauch können Sie den Wasserbehälter abnehmen, um das Wasser-Fett-Gemisch auszuschütten und ihn zu reinigen. Sie können einen mit einem nicht scheuernden Reinigungsmittel beträufelten Schwamm verwenden oder den Behälter in die Spülmaschine geben.

Entfernen Sie den Wasserbehälter durch Ziehen des Verriegelungsknopfes (10). Halten Sie den Knopf bis zum Anschlag gedrückt und entfernen Sie den Behälter, indem Sie ihn nach oben bewegen. (Abb. 3B)

Nach der Reinigung setzen Sie den Behälter wieder auf den Sockel:

- 1- Ziehen Sie den Verriegelungsknopf (10) (Abb. 3C)
- 2- Richten Sie das Flammensichtfenster (11) am Bedienknopf (9) aus. Die Kerben (12) des Behälterbodens müssen an der Verriegelungsachse (13) ausgerichtet sein. (Abb. 3D)
- 3- Stellen Sie den Behälter auf seine Halterung
- 4- Lassen Sie den Knopf los, der Behälter ist verriegelt (Abb. 3E).

Füllen Sie den Tank mit Wasser bis zur Markierung MAX auf, wenn Sie ihn wieder benutzen wollen. (Abb. 3A)

C - Topfträger:

Setzen Sie den Topfträger ein. Achten Sie darauf, die 3 Kerben am Boden in die 3 Aussparungen in der Mitte des Feuerraums einzusetzen. Die Drehung des Trägers ist somit blockiert. Nun kann Ihr Grill als Kocher verwendet werden. (Abb. 4)

D - Hitzeverteiler:

Setzen Sie den Hitzeverteiler oben auf die Arme des Topfträgers und richten Sie die Kerben seiner 3 Halterungen an jedem Arm des Trägers aus. (Fig. 5)

E - Grillplatte:

Legen Sie die Grillplatte auf die 3 Stützen auf dem Feuerraum und achten Sie darauf, dass Sie die gewünschte Oberfläche nach oben legen. (Abb. 6A & 6B)

Patronenhalterung:

Ihr Grill ist mit einer Patronenhalterung ausgestattet. Mit dieser Halterung können Sie die Patrone an der Tischkante befestigen. Somit ist die Patrone weit von der Hitzequelle entfernt und die Oberfläche des Tisches ist frei.

- Stellen Sie Ihren Grill in die Mitte und rollen Sie den Schlauch bis zur Tischkante ab.

- Befestigen Sie die Patronenhalterung an der Tischkante. Die Länge der Feststellschraube ermöglicht eine Anpassung an die meisten Tische. (Abb. 8)

Lösen Sie die Feststellschraube (14), sodass der Abstand zwischen den beiden Gummipuffern der Dicke des Tischrahmens entspricht (Abb. 9A), schieben Sie die Halterung auf die Tischkante und ziehen Sie die Schraube fest, um eine sichere Befestigung am Tisch zu gewährleisten. (Abb. 9B)

- Lassen Sie den Schieber (15) nach oben gleiten und setzen Sie den Regler in das dafür vorgesehene Gehäuse ein. (Abb. 10A & 10B)

- Lassen Sie den Schieber absinken, so wird der Regler dank der Feder in seiner Position gehalten. (Abb. 10C)

- Prüfen Sie, ob der Schlauch einwandfrei abgerollt ist, ohne Verdrehung oder Zug und ohne Kontakt mit heißen Oberflächen des Geräts. (Abb. 11) Ziehen Sie niemals am Schlauch und verdrehen Sie ihn nicht.

SICHERHEITSVORKEHRUNGEN

Verwenden Sie das Gerät mit einem Mindestabstand von 20 cm zu einer Wand oder brennbaren Objekt.

Stellen Sie das Gerät auf eine stabile, ebene Fläche, und bewegen Sie das Gerät nicht, wenn es in Betrieb ist, um das Auftreten großer Flammen zu vermeiden, die sich eher aus der Verbrennung von Flüssigbutan als aus verdampftem Butan ergeben. Sollte dies der Fall sein, schalten Sie den Regelknopf aus, und positionieren Sie das Gerät neu.

Verwenden Sie kein Kochgeschirr mit weniger als 12 cm oder mehr als 26 cm Durchmesser.

Bevor Sie das Gerät in der Betriebsart Grill oder Plancha entzünden, müssen Sie den Wasserbehälter bis zum Füllstand „MAXI“ auffüllen.

Wenn Sie Ihr Gerät vor Wind schützen, wird seine Leistung erhöht.

Lassen Sie die Kochplatte ohne Speisen nie länger als eine Minute über dem Feuer stehen (außer in der ersten Vorheizphase), da sonst die Spezialbeschichtung überhitzen kann.

Um eine Beschädigung der Antihafbeschichtung zu vermeiden, verwenden Sie nur Kochutensilien aus Silikon oder Holz.

Warten Sie, bis das Gerät vollständig abgekühlt ist, bevor Sie es für die Lagerung vorbereiten.

Achtung: Zugängliche Teile können sehr heiß sein. Kinder fernhalten.

Es wird empfohlen, beim Umgang mit den möglicherweise heißen Bauteilen Schutzhandschuhe zu tragen.

Verwenden Sie das Gerät erst, wenn Sie die Anleitungen sorgfältig gelesen und verstanden haben. Stellen Sie außerdem Folgendes sicher:

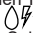
- dass keine Gaslecks vorhanden sind.
- dass das Brennerrohr nicht verlegt ist (durch Spinnweben usw.).
- dass der Schlauch nicht mit Komponenten in Berührung kommen kann, die möglicherweise heiß werden.

Wichtig: Prüfen Sie das Vorhandensein der Flamme durch das Sichtfenster, das sich am Feuerraum über dem Bedienknopf (11) befindet (Abb. 1A). Sollte der Brenner während des Grillens erlöschen, schließen Sie sofort den Gashahn und warten Sie 5 Minuten, damit sich das Gas verflüchtigen kann. Zünden Sie den Grill nach dieser Wartezeit erneut an.

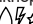
F - GEBRAUCH

BRENNER ZÜNDEN

Piezozündung (Abb. 12)

1. Öffnen Sie die Gaszufuhr und drehen Sie das Ventil am Regler in Richtung „+“. (Abb. 12A)
2. Drehen Sie den Regelknopf gegen den Uhrzeigersinn (in Richtung „“) sodass er vollständig geöffnet ist. Warten Sie 3 Sekunden, damit sich der Kreislauf füllt, und drücken Sie den Knopf ganz durch, bis Sie ein Klicken hören.
3. Drücken Sie gegebenenfalls wiederholt 3 oder 4 Mal, bis der Brenner zündet (überprüfen Sie die Flamme durch das Fenster (11) auf der Vorderseite des Auffangbeckens).
4. Wenn der Brenner nicht zündet, drehen Sie den Regelknopf im Uhrzeigersinn bis zum Anschlag in die Aus-Stellung (O). Warten Sie 5 Minuten, bevor Sie die Bedienung wiederholen.
5. Wenn der Brenner nach dem zweiten Versuch nicht zündet, können Sie **A.** zum Anzünden eines Streichholzes im nachstehenden Abschnitt übergehen, oder **B.** Lesen Sie Abschnitt I zur Problembehebung.

Mit Streichholz anzünden (Abb. 13):

1. Öffnen Sie die Gaszufuhr und drehen Sie das Ventil am Regler in Richtung „+“. (Abb. 13A)
2. Wenn nötig, entfernen Sie die Grillplatte, legen Sie ein brennendes Streichholz in die Nähe des Brenners.
3. Drehen Sie den Bedienknopf auf die niedrige Leistungsstufe (in Richtung O).
4. Prüfen Sie durch das Sichtfenster (11), ob eine Flamme vorhanden ist.
5. Legen Sie die Grillplatte wieder an ihren Platz.
6. Erhöhen Sie die Leistung, indem Sie den Bedienknopf gegen den Uhrzeigersinn drehen, bis zur Einstellung .

KOCHEN

A - Verwendung des Geräts als Grill

1. Vergewissern Sie sich, dass der Behälter bis zum Füllstand „MAXI“ mit Wasser gefüllt ist und dass der Topfträger und der Hitzeverteiler wie in Abschnitt E beschrieben installiert sind.
2. Heizen Sie die Grillplatte etwa 10 Minuten lang bei maximaler Leistung vor, um die ideale Temperatur für das Garen zu erreichen. Legen Sie das Gargut auf die Platte und stellen Sie die Temperatur mit dem Drehknopf nach Ihrem Wunsch ein.
3. Überprüfen Sie nach 1 Stunde Betrieb die Wassermenge im Behälter. Füllen Sie falls nötig Wasser bis zur Markierung MAX nach.

Die Grillplatte verfügt über eine qualitativ hochwertige nicht haftende Beschichtung, auf der Sie ohne zusätzliches Fett grillen können.

Fetthaltige Substanzen werden im Wasserauffangbehälter aufgefangen; Ihr Essen ist völlig gesund (keine Restfette oder verkohlten Fette); Ihre Zutaten behalten den vollen Geschmack.

Eine bläuliche Verfärbung des Heizelements ist auf die starke Hitzeentwicklung zurückzuführen. Dies hat keine Auswirkung auf die Qualität des verwendeten Materials.

B - Verwendung des Geräts als Kocher

WICHTIG: Die Kochplatte muss entfernt werden, wenn das Gerät als Kocher verwendet wird. Stellen Sie niemals Kochgefäße auf die Grillplatte oder den Hitzeverteiler.

Stellen Sie ein Kochgeschirr (Bratpfanne, Topf...) auf den

Rost, in der Mitte über dem Brenner. Vergewissern Sie sich, dass die Flamme nicht die Unterseite des Kochgeschirrs überschreitet.

Verwenden Sie kein Kochgeschirr mit weniger als 12 cm oder mehr als 26 cm Durchmesser.

AUSCHALTEN DES GERÄTS

Drehen Sie den Regelknopf im Uhrzeigersinn bis zum Anschlag in die Aus-Stellung (O).

G - AUSBAU DER KARTUSCHE

Die Gaskartusche kann demontiert werden, auch wenn sie noch nicht vollständig leer ist.

1. Drehen Sie den Regelknopf im Uhrzeigersinn bis zum Anschlag in die Aus-Stellung (O).
2. Warten Sie, bis das Gerät.
3. Während Sie den Regler halten, und schrauben Sie die Gaspatrone ab, indem Sie sie gegen den Uhrzeigersinn drehen, bis Sie einen Klick hören (ungefähr eine Sechsteldrehung), und entfernen Sie diese dann.
4. Werfen Sie niemals eine Kartusche fort, wenn sie nicht ganz leer ist (wenn Sie beim Schütteln ein Geräusch von bewegter Flüssigkeit hören, ist die Kartusche nicht leer).

H - WARTUNG UND LAGERUNG

Bei regelmäßiger Pflege werden Sie an Ihrem Gerät viele Jahre lang Freude haben.

- Das Gerät nicht während des Betriebs reinigen. Warten, bis es abgekühlt ist, um Verbrennungen durch die heißen Teile (Grillblech, Gitterrost, Rost, Schale etc.) zu vermeiden.
- Sobald das Gerät abgekühlt ist (ca. 15 Minuten), nehmen Sie die Grillplatte, den Hitzeverteiler und den Topfträger ab. Entriegeln Sie den Behälter vom Fuß gemäß Abschnitt E. Entleeren Sie das Wasser.
- Fettige Teile mit Wasser und Seife oder einem milden Reinigungsmittel säubern.
- Um die Reinigung zu vereinfachen, können der Deckel, die Grillplatte, der Behälter und der Topfträger in die Spülmaschine gegeben werden.
- Beim Reinigen darauf achten, dass die Löcher der Brenner nicht verstopft werden. Sind sie verstopft, z.B. durch übergelaufenes Kochgut, müssen die Öffnungen mit einer weichen Bürste (keine Drahtbürste) gereinigt werden.
- Setzen Sie die abnehmbaren Teile des Geräts nach der Reinigung wieder zusammen, schließen Sie dann den Deckel, indem Sie auf die 3 Klammern drücken. (Abb. 2)
- Das Gerät muss unzugänglich für Kinder an einem kühlen, trockenen und belüfteten Ort aufbewahrt werden. Bewahren Sie es nicht in Kellerräumen auf.
- Bei längerem Nichtgebrauch den Gasbehälter - wie im Abschnitt G angegeben - vom Gerät trennen.
- Wird das Gerät mehr als 30 Tage nicht benutzt, sollten Sie überprüfen, ob nicht Spinnweben die Öffnungen des Brennerrohres verstopfen, was zu einer geringeren Leistung des Geräts oder einer gefährlichen Entzündung des Gases außerhalb des Brenners führen kann.
- Bewahren Sie Ihren Grill in der Tasche (16) auf. In dieser Tasche können Sie Ihren Grill leicht transportieren oder staubgeschützt aufbewahren.

I - STÖRUNGSBEHEBUNG

Im Fall eines Rückbrands (Zündung unter dem Brennerdeckel) das Produkt ausschalten, abkühlen lassen (ca. fünf Minuten) und dann wieder anzünden. Wenn das Rückbrandproblem weiterhin auftritt, wenden Sie sich bitte in Ihren örtlichen Campinggaz®-Vertreter.

Störung	Wahrscheinliche Ursache / Abhilfe
Der Brenner lässt sich nicht anzünden	<ul style="list-style-type: none"> • Schlechte Gaszufuhr • Druckregler funktioniert nicht • Schlauch, Ventil, Venturirohr unter dem Brenner oder Löcher des Brenners verstopft. Reinigen Sie die Venturi-Düse.
Der Brenner brennt unregelmäßig oder geht aus	<ul style="list-style-type: none"> • Prüfen, ob Gas austritt • Gasschlauch auf einwandfreien Anschluss prüfen Gerät zum Kundendienst bringen
Die Flammen des Brenners blasen unregelmäßig	<ul style="list-style-type: none"> • In der neuen Gasflasche war Luft einige Zeit brennen lassen, bis die Störung behoben ist • Restwasser nach dem Waschen des Brenners oder dem Füllen/Entleeren des Behälters. Lassen Sie das Gerät in Betrieb und das Problem wird von selbst behoben. • Gerät zum Kundendienst bringen"
Große Flamme um den ganzen Brenner herum	<ul style="list-style-type: none"> • Venturirohr unter dem Brenner verstopft (z. B. Spinnweben) • Gerät zum Kundendienst bringen
Flammenbildung an der Düse	<ul style="list-style-type: none"> • Gasflasche fast leer • Gasflasche auswechseln • Gerät zum Kundendienst bringen
Flammenbildung am Anschluss	<ul style="list-style-type: none"> • Anschluss undicht • Gaszufuhr sofort unterbrechen. Muttern nachziehen oder Schlauch auswechseln • Gerät zum Kundendienst bringen
Unzureichende Hitzebildung	<ul style="list-style-type: none"> • Gasdüse oder Venturirohr unter dem Brenner verstopft • Gerät zum Kundendienst bringen. Reinigen Sie die Venturi-Düse.
Flammenbildung hinter dem Knebel	<ul style="list-style-type: none"> • Gashahn defekt • Gaszufuhr sofort schließen • Gerät zum Kundendienst bringen

DE

ISTRUZIONI PER L'USO

NOTA: Se non diversamente specificato, i seguenti termini generici "apparecchio / unità / prodotto / apparecchiatura / dispositivo" che compaiono in questo manuale di istruzioni si riferiscono tutti al prodotto "360 Grill CV".

Portata: 160 g/h (2.2 kW)-iniettore n° 79

Categoria : pressione diretta butano

Grazie per avere acquistato un prodotto Campingaz®.

A - IMPORTANTE : UTILIZZATE IL GAS, SIATE PRUDENTI !

- Lo scopo delle presenti istruzioni è di garantire l'uso corretto e sicuro del Campingaz® 360 Grill CV.
- Si prega di leggere attentamente le istruzioni in modo da acquisire una buona conoscenza dell'apparecchio prima di installare la cartuccia del gas.
- Rispettate le istruzioni di questo prospetto e le norme di sicurezza che figurano sulle bombole Campingaz® CV 470 PLUS. Il mancato rispetto di queste istruzioni può essere pericoloso per l'utente e le altre persone che si trovano nelle vicinanze.
- Conservare il presente prospetto in luogo sicuro per poterlo consultare in caso di necessità.
- Questo apparecchio deve essere usato esclusivamente con cartucce Campingaz® CV 470 PLUS. L'uso di altre cartucce a gas può costituire un pericolo.
- La compagnia Application Des Gaz declina qualsiasi responsabilità in caso di utilizzo di cartucce di un'altra marca.
- Il barbecue deve essere utilizzato esclusivamente all'aperto e lontano da materiali infiammabili.
- Non usare l'apparecchio se presenta perdite, se è danneggiato o in caso di funzionamento difettoso. In tal caso, restituirlo al rivenditore il quale indicherà il servizio di assistenza più vicino.
- Non apportare alcuna modifica a questo apparecchio o utilizzarlo per applicazioni alle quali non è destinato. Qualunque modifica del dispositivo potrebbe essere pericolosa.
- Non usare questo apparecchio all'interno di roulotte, automobili, tende da campeggio, capanne, baracche o in spazi ristretti.
- L'apparecchio non deve essere usato mentre si dorme o lasciato incustodito.
- Tutti gli apparecchi a gas consumano ossigeno ed emettono gas e sostanze potenzialmente pericolosi come il monossido di carbonio (CO).
- Il monossido di carbonio, inodore e incolore, può provocare malessere, con sintomi analoghi a quelli dell'influenza, e persino la morte se l'apparecchio viene usato in ambienti interni non ventilati.

B - IL SUO APPARECCHIO

Apra la confezione e scopra il suo apparecchio (Fig. 1A e 1B)

- | | |
|-----------------------------|-----------------------------|
| (1) Coperchio di plastica | (7) Regolatore |
| (2) Griglia di cottura | (8) Supporto cartuccia |
| (3) Diffusore di calore | (9) Manopola di controllo |
| (4) Supporto per casseruole | (10) Pulsante di chiusura |
| (5) Serbatoio dell'acqua | (16) Borsa per il trasporto |
| (6) Base | |

C - INSTALLAZIONE DI UNA BOMBOLA CAMPINGAZ® CV 470 PLUS

(Se è già installata una bombola vuota, leggere il paragrafo G : "Estrazione della bombola")

Installare o sostituire la cartuccia del gas in un ambiente ben ventilato, preferibilmente all'aperto, mai nelle vicinanze di fiamme, fonti di calore o scintille (sigarette, apparecchi elettrici, ecc.) e a distanza da altre persone e da materiali infiammabili.

POICHE' LE BOMBOLE Campingaz® CV 470 PLUS SONO A VALVOLA, POSSONO ESSERE ESTRATTE DALL'APPARECCHIO PER FACILITARNE IL TRASPORTO, ANCHE SE NON SONO VUOTE, E REINSTALLATE SU ALTRI APPARECCHI Campingaz® DELLA GAMMA CV 470 PLUS IDEATI PER FUNZIONARE ESCLUSIVAMENTE CON QUESTE BOMBOLE.

1. Ruotare la manopola di controllo in senso orario nella posizione di disattivazione (Off) (O) fino a quando si blocchi. (Fig. 7A)
2. Avvitare con cautela la cartuccia di gas ruotandola in senso orario fino a quando si avverta uno scatto (circa un sesto di giro). Non avvitare oltre la cartuccia, in quanto rischiereste di danneggiare la valvola. (Fig. 7B)

In caso di perdite (odore di gas prima dell'apertura del rubinetto), portare immediatamente l'apparecchio all'esterno, in un luogo ben ventilato privo di fonti di combustione, nel quale sia possibile individuare e bloccare la perdita. Controllare sempre la tenuta dell'apparecchio all'esterno. Non cercare di individuare una perdita usando una fiamma; utilizzare acqua e sapone.

D - PROVE DI TENUTA

1. Tenere lontano da materiali infiammabili, non fumare vicino all'apparecchio.
2. Assicurarsi che la manopola di regolazione sia sulla posizione "OFF" (O).
3. Montare il regolatore sulla cartuccia del gas (vedere sezione C).
4. Non utilizzare fiamme per cercare eventuali fughe di gas. Utilizzare un liquido rivelatore di fughe di gas.
5. Applicare il liquido sui raccordi tra cartuccia /regolatore di pressione/ tubo / apparecchio (Fig. 14).
6. Aprire la valvola del regolatore (7) (Fig. 1B) ruotandola in senso antiorario da - a + (La manopola di controllo deve rimanere in posizione "OFF" (O). Eventuali bollicine nel liquido rivelatore indicano la presenza di perdite di gas.
7. Chiudere la valvola del regolatore.
8. Non utilizzare il barbecue fino a quando eventuali fughe di gas non sono state eliminate.
9. Disconnettere il regolatore dalla cartuccia e contattare il servizio post-vendita locale per l'assistenza.

Importante: Verificare la tenuta e la presenza di eventuali perdite di gas almeno una volta l'anno e ogni qualvolta si sostituisce la cartuccia del gas.

E - PRECAUZIONI PER L'USO

Griglia 360:

A - Coperchio di plastica:

Il coperchio di plastica è fissato nella parte superiore del focolare grazie a clip (Fig. 2). Esso mantiene tutte le parti interne in posizione durante il trasporto. Rimuoverlo prima dell'uso.

B - Utilizzo del serbatoio dell'acqua:

Posizionare l'apparecchio su una base in piano. Riempire il serbatoio di acqua fino al livello MAX. (Fig. 3A) Fare attenzione a non versare acqua sul bruciatore.

Dopo la sessione di cottura, si può scollegare il serbatoio dell'acqua per gettare via la miscela di acqua e grasso e pulirlo. Utilizzare una spugna impregnata di detergente non abrasivo o mettere il serbatoio nel lavastoviglie.

Scollegare il serbatoio dell'acqua tirando il pulsante di blocco (10). Tenendo il pulsante tirato fino all'arresto, rimuovere il serbatoio spostandolo verso l'alto. (Fig. 3B)

Dopo la pulizia, riposizionare il serbatoio sulla base:

- 1- Tirare il pulsante di chiusura (10) (Fig. 3C)
- 2- Allineare lo spioncino di controllo della fiamma (11) con la manopola di controllo (9). Le tacche (12) della base del serbatoio devono essere allineate con l'asse di chiusura (13) (Fig. 3D)
- 3- Posizionare il serbatoio sul suo supporto
- 4- Rilasciare il pulsante, il serbatoio è bloccato (Fig. 3E)

Riempire il serbatoio di acqua fino al livello MAX se si intende utilizzare nuovamente il prodotto. (Fig. 3A)

C - Supporto per casseruole:

Mettere in posizione il supporto per casseruole. Fare attenzione a inserire le 3 tacche della base nelle 3 alette del centro del focolare. La rotazione del supporto è bloccata. L'apparecchio è pronto per l'utilizzo come fornello. (Fig. 4)

D - Diffusore di calore:

Posizionare il diffusore di calore nella parte superiore dei bracci del supporto per casseruole allineando le tacche dei suoi 3 supporti con ciascun braccio del supporto. (Fig. 5)

E - Griglia di cottura:

Posizionare la griglia di cottura sui 3 supporti nella parte superiore del focolare, facendo attenzione a mettere la superficie desiderata rivolta verso l'alto. (Fig. 6A e 6B)

Supporto cartuccia:

L'apparecchio è fornito con un supporto cartuccia. Questo supporto permette di fissare la cartuccia sul bordo della tavola. Quindi la cartuccia è lontana dalla fonte di calore e la superficie della tavola ne è libera.

- Posizionare l'apparecchio al centro e srotolare il tubo flessibile fino al bordo della tavola.
- Fissare il supporto cartuccia al bordo della tavola. La lunghezza della vite di regolazione permette un adattamento alla maggior parte delle tavole. (Fig. 8)

Svitare le vite di regolazione (14) in modo che lo spazio tra i 2 cuscinetti di gomma si adatti allo spessore del telaio della tavola (Fig. 9A), regolare il supporto sul bordo della tavola poi serrare la vite per assicurare un fissaggio sicuro alla tavola. (Fig. 9B)

- Far scorrere lo spintore (15) verso l'alto e inserire il regolatore nell'alloggiamento a questo scopo. (Fig. 10A e 10B)
- Lasciare scendere lo spintore, di conseguenza il regolatore è mantenuto in posizione grazie alla molla. (Fig. 10C)
- Verificare che il tubo flessibile sia srotolato senza torsioni o trazioni, e non vi sia neppure il contatto con superfici calde dell'apparecchio. (Fig. 11) Mai tirare il tubo flessibile o torcerlo.

PRECAUZIONI DI SICUREZZA

Non usare l'apparecchio a una distanza inferiore a 20 cm da una parete o da un oggetto combustibile.

Posizionare il dispositivo su una superficie orizzontale stabile e non spostarla mentre è in uso per evitare la comparsa di grandi fiamme derivanti dalla combustione di butano liquido piuttosto che di butano vaporizzato. Nel caso ciò si verifichi, spegnere la manopola di controllo e riposizionare il dispositivo.

Non usare recipienti di cottura di diametro inferiore a 12 cm o superiore a 26 cm.

Prima di attivare l'apparecchio nella modalità Grill o Plancha, assicurarsi di riempire il serbatoio con acqua al livello "MAX".

Proteggere l'apparecchio dal vento, in questo modo il rendimento migliorerà ulteriormente.

Non lasciare il piano di cottura acceso senza alcun alimento per più di un minuto (eccetto per il periodo di preriscaldamento iniziale) per non danneggiare lo speciale rivestimento.

Per evitare il danneggiamento del rivestimento antiaderente, usare sempre utensili da cucina in silicone o in legno per maneggiare le pietanze.

Prima di riporre l'apparecchio, attendere che si sia raffreddato.

Attenzione: alcuni componenti possono essere molto caldi. Tenere i bambini a distanza dall'apparecchio.

Si consiglia di indossare guanti protettivi per maneggiare i componenti che possono essere molto caldi.

Non utilizzare l'apparecchio prima di aver letto con attenzione e compreso a fondo le relative istruzioni. Inoltre, assicurarsi che:

- non siano presenti perdite di gas.
- il tubo del bruciatore non sia ostruito (da ragnatele, ecc.).
- il tubo del gas non entri in contatto con qualsiasi componente soggetta a riscaldamento.

Importante: verificare la presenza della fiamma attraverso lo spioncino situato sul focolare sopra alla manopola di controllo (11) (Fig. 1A). Nel caso in cui il bruciatore si spegnesse durante la cottura alla griglia, chiudere la valvola del gas immediatamente e attendere 5 minuti per lasciare che il gas evapori. Riaccendere l'apparecchio dopo questo intervallo di tempo.

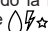
F - USO

ACCENSIONE DEL BRUCIATORE

Accensione piezoelettrica (Fig. 12)

1. Aprire l'alimentazione di gas ruotando la valvola sul regolatore verso "+". (Fig. 12A)
2. Ruotare la manopola di controllo in senso anti-orario (verso "Off") in modo che sia completamente aperta. Attendere 3 secondi in modo che il circuito sia riempito, poi premere la manopola completamente fino a udire un clic.
3. Ripetere la pressione 3 o 4 volte se necessario fino a quando il bruciatore sia acceso (controllare la presenza della fiamma attraverso la finestra (11) di ispezione che si trova sulla parte anteriore del serbatoio).
4. Se il bruciatore non si accende, ruotare la manopola di controllo in senso orario nella posizione di spento (O) fino a quando si blocchi. Attendere 5 minuti prima di ripetere l'operazione.
5. Qualora il bruciatore non si accenda dopo il secondo tentativo, è possibile **A.** procedere all'accensione mediante fiammifero in corrispondenza della sezione sotto, oppure **B.** leggere la sezione I Risoluzione dei problemi.

Accensione con fiammifero (Fig. 13):

1. Aprire l'alimentazione di gas ruotando la valvola sul regolatore verso "+". (Fig. 13A)
2. Se necessario, rimuovere la griglia di cottura, posizionare un fiammifero acceso vicino al bruciatore.
3. Ruotare la manopola di controllo sull'impostazione di corrente più bassa (verso O).
4. Verificare la presenza della fiamma attraverso lo sponcino (11).
5. Riposizionare la griglia di cottura.
6. Aumentare la potenza ruotando la manopola in senso antiorario fino all'impostazione .

COTTURA

A - Utilizzo del dispositivo come griglia

1. Assicurarsi che il serbatoio sia riempito di acqua al livello "MAXI" e il supporto per casseruole e diffusore di calore siano installati come descritto nella sezione E.
2. Preriscaldare la piastra di cottura per circa 10 minuti alla potenza massima per raggiungere la temperatura di cottura ideale. Posizionare gli ingredienti sulla piastra e regolare la temperatura con la manopola di controllo in base ai propri gusti.
3. Dopo 1 ora di cottura, controllare la quantità di acqua nel serbatoio. Aggiungere acqua fino al livello MAX se necessario.

La piastra è rivestita con un prodotto antiaderente di elevata qualità, che consente una cottura sana senza aggiunta di grassi.

Le sostanze grasse vengono raccolte nel serbatoio dell'acqua, il pasto è perfettamente sano (senza grassi residui o carbonizzati), gli ingredienti conservano il loro sapore.

Una colorazione bluastra della piastra calda è dovuto al forte sviluppo di calore. Tale fenomeno non ha alcun effetto sulla qualità del materiale utilizzato.

B - Utilizzo del dispositivo come fornello

IMPORTANTE: La piastra di cottura deve essere allontanata quando si usa il dispositivo come fornello. Mai posizionare recipienti di cottura sulla piastra di cottura o sul diffusore di calore.

Posizionare un contenitore di cottura (padella friggitrice, padella ...) sulla griglia, centrato sul bruciatore. Verificare

che la fiamma non superi il lato inferiore del contenitore di cottura.

Non usare recipienti di cottura di diametro inferiore a 12 cm o superiore a 26 cm.

SPEGNIMENTO

Ruotare la manopola di controllo in senso orario nella posizione di disattivazione (Off) (O) fino a quando si blocchi.

G - ESTRAZIONE DELLA BOMBOLA

È possibile rimuovere la cartuccia anche se non è vuota.

1. Ruotare la manopola di controllo in senso orario nella posizione di disattivazione (Off) (O) fino a quando si blocchi.
2. Attendere che l'apparecchio si raffreddi.
3. Tenere il regolatore, svitare la cartuccia di gas ruotandola in senso anti-orario fino a quando si avverta uno scatto (all'incirca un sesto di giro), quindi rimuoverla.
4. Non gettare mai una bombola che non è vuota (controllare che non vi sia liquido all'interno, agitando).

H - MANUTENZIONE E CONSERVAZIONE

Per conservare a lungo il vostro apparecchio, occorre effettuare regolarmente la manutenzione.

- Non pulire l'apparecchio quando è in funzione. Aspettare il completo raffreddamento dell'apparecchio, per evitare bruciatore provocate dai pezzi caldi (piastra, griglia, graticola, serbatoio, ecc).
- Quando l'unità è fredda (circa 15 minuti) rimuovere la piastra di cottura, il diffusore di calore e il supporto per casseruole. Sbloccare il serbatoio dalla base come indicato alla sezione E. Svuotare il serbatoio dall'acqua.
- Pulire le parti unte con acqua e sapone o con un prodotto detergente non abrasivo.
- Per semplificare la pulizia, il coperchio, la piastra di cottura, il serbatoio, il supporto per casseruole, possono essere lavati in lavastoviglie.
- Durante la pulizia, badare a non ostruire i bruciatori. Se sono ostruiti, ad esempio da alimenti fuoriusciti dalla casseruola, sturare i fori con una spazzola metallica.
- Dopo la pulizia, rimontare le parti rimovibili dell'apparecchio, rimettere il coperchio e chiuderlo premendo sui 3 gancetti. (Fig. 2)
- L'apparecchio deve essere immagazzinato in luogo fresco, asciutto e aereato, fuori della portata dei bambini, mai in uno scantinato o in una cantina.
- In caso di fermo prolungato dell'apparecchio, staccare il serbatoio come indicato al paragrafo G.
- Se non viene utilizzato per oltre 30 giorni, verificare che gli orifizi del tubo del bruciatore non siano ostruiti da ragnatele, il che potrebbe nuocere alle prestazioni dell'apparecchio o dar luogo allo sprigionarsi di fiamme fuori dal bruciatore con conseguente pericolo.
- Depositare l'apparecchio nella borsa (16). Questa borsa permette di trasportare l'apparecchio facilmente o di depositarlo al riparo dalla polvere.

IT

I - ANOMALIE / RIMEDI

In caso di ritorno della fiamma (accensione sotto al cappuccio del bruciatore) spegnere il prodotto, farlo raffreddare (circa cinque minuti) poi riaccenderlo. Se il problema persiste, contattare il rappresentante locale Campingaz®.

Anomalie	Probabili cause / rimedi
Il bruciatore non si accende	<ul style="list-style-type: none">• Cattivo arrivo del gas• Il regolatore di pressione non funziona• Tubo, rubinetto, tubo di Venturi o fori del bruciatore otturati. Pulire il venturi.
Il bruciatore è intermittente o si spegne	<ul style="list-style-type: none">• Verificare se che ci sia gas• Verificare il collegamento del tubo• Consultare il Servizio Assistenza
Fiamma instabile e che emette un soffio	<ul style="list-style-type: none">• Bombola nuova che può contenere aria. Lasciar funzionare e il difetto sparirà.• Acqua residua, dopo il lavaggio del bruciatore o riempire/svuotare la vaschetta. Lasciar funzionare e il difetto sparirà.• Consultare il Servizio Assistenza
Grande fiammata alla superficie del bruciatore	<ul style="list-style-type: none">• Il tubo di Venturi è ostruito (che ci sia)• Consultare il Servizio Assistenza
Fiamma all'iniettore	<ul style="list-style-type: none">• La bombola è quasi vuota• Cambiare la bombola e il difetto sparirà• Consultare il Servizio Assistenza.
Fuga con fiamma al raccordo	<ul style="list-style-type: none">• Chiudere immediatamente l'arrivo del gas• Raccordo che non tiene: stringere i dadi o cambiare il tubo• Consultare il Servizio Assistenza
Calore insufficiente	<ul style="list-style-type: none">• Iniettore o tubo di Venturi ostruiti. Pulire il venturi.• Consultare il Servizio Assistenza.
Fuga con fiamma dietro il bottone di regolazione	<ul style="list-style-type: none">• Rubinetto difettoso• Spegnere l'apparecchio• Consultare il Servizio Assistenza.

GEBRUIKSAANWIJZING

OPMERKING: Tenzij anders vermeld verwijzen de volgende generieke termen "toestel / apparaat / eenheid" in deze gebruiksaanwijzing allemaal naar het product "360 Grill CV".

Debiet: 160 g/h (2.2 kW)-injector nr. 79

Categorie : rechtstreekse druk butaan

Hartelijk dank voor uw keuze voor een product van Campingaz®.

A - BELANGRIJK : U GEBRUIKT GAS, WEES VOORZICHTIG !

- Gebruiksaanwijzing voor correct en veilig gebruik van uw Campingaz® 360 Grill CV.
- Lees deze gebruiksaanwijzing helemaal door, zodat u goed bekend met uw toestel voordat u degascartouche aansluit.
- Lees de aanwijzingen van deze gebruiksaanwijzing, evenals de veiligheidsvoorschriften die op de Campingaz® cartouches CV 470 PLUS staan. Het niet naleven van deze aanwijzingen kan gevaar opleveren voor de gebruiker en zijn omgeving.
- Bewaar deze gebruiksaanwijzing altijd op een vaste plaats zodat u deze kan raadplegen indien dit nodig is.
- Dit toestel mag alleen worden gebruikt met Campingaz® CV 470 PLUS gascartouches. Hetgebruiken van andere gascartouches kan gevaarlijk zijn.
- De Société Application Des Gaz aanvaardt geen enkele aansprakelijkheid bij gebruik van gascartouches van een ander merk.
- Deze grill mag alleen buitenshuis worden gebruikt, uit de buurt van ontvlambare materialen.
- Neem een apparaat niet in gebruik als het lekt, beschadigd is of niet goed werkt. Breng het terug naar de winkel. Daar krijgt u informatie over mogelijkheden voor reparatie en andere service.
- Breng geen wijzigingen aan het toestel aan en gebruik het niet voor andere dan de omschreven doeleinden. Wijzigingen aan het apparaat, in welke vorm dan ook, kunnen een gevaar opleveren.
- Gebruik dit toestel niet in een caravan, auto, tent, hut, onder een afdak of in een kleine afgesloten ruimte.
- Zonder toezicht of als u gaat slapen mag het toestel niet aan blijven.
- Alle gasteestellen verbruiken zuurstof en stotengevaarlijke stoffen uit als koolmonoxide (CO).
- Koolmonoxide dat reuk- en kleurloos is, kan leiden tot flauwvallen of symptomen die aan griep doedenken. In extreme gevallen kan het zelfs de dood tot gevolg hebben, wanneer het apparaat binnenshuis zonder goede ventilatie gebruikt wordt.

B - UW APPARAAT

Pak uw apparaat uit en ontdek het (Afb. 1A & 1B)

- | | |
|---------------------|---------------------|
| (1) Plastic deksel | (7) Regelaar |
| (2) Grillplaat | (8) Patroonhouder |
| (3) Warmteverdelers | (9) Bedieningsknop |
| (4) Pansteun | (10) Vergrendelknop |
| (5) Waterreservoir | (16) Draagtas |
| (6) Basis | |

C - HET AANBRENGEN VAN EEN CAMPINGAZ® CV 470 PLUS GASVULLING

(Indien een lege cartouche geplaatst is, lees dan paragraaf G, : " Het uitnemen van een cartouche.")

Kies altijd een goed geventileerde plaats om een cartouche te installeren of vervangen: bij voorkeur buiten, nooit in de buurt van vuur, een warmtebron of vonk (sigaret, elektrische apparaten) en op grote afstand van mensen en brandbare materialen.

AANGEZIEN DE CAMPINGAZ® CARTOUCHES CV 470 PLUS EEN KLEP HEBBEN, KUNNEN ZE UIT HET APPARAAT GENOMEN WORDEN OM HET VERVOER TE VERGEMAKKELIJKEN ZELFS AL ZIJN ZE NIET LEEG EN KUNNEN ZE OP ANDERE CAMPINGAZ® APPARATEN VAN HET GAMMA CV 470 PLUS, ONTWORPEN OM EXCLUSIEF MET DEZE CARTOUCHES TE WERKEN, GEMONTREED WORDEN.

1. Draai de regelknop rechtsom in de stand "off" (O) (uit) totdat de knop niet verder kan. (Afb. 7A)
2. Draai het gastankje er voorzichtig op door dit rechtsom te draaien totdat u een klik hoort. (ongeveer een zesde slag). Draai de patroon niet verder vast: u kunt hiermee zijn ventiel beschadigen. (Afb. 7B)

Breng het toestel in geval van lekkage (gaslucht voor de kraan wordt opgezet) direct naar buiten naar een goed geventileerde omgeving zonder warmtebron, waar het lekkan worden gelokaliseerd en gestopt. Als u uw toestel oplekkage wilt controleren, doe dat dan buiten. Gebruik nooit vuur om een lek op te sporen, gebruik zeepsop.

D - CONTROLEREN OP GASLEKKEN

1. Verwijderd houden van brandbare materialen, niet roken in de buurt van het apparaat.
2. Controleer of de regelknoppen in de stand "OFF" staan (O).
3. Monteer de regelaar op het gaspatroon (zie paragraaf C).
4. Gebruik nooit een vlam om een gaslek op te sporen. Gebruik een gaslekplossing.
5. Breng de oplossing aan op de aansluitingen tussen patroon / regelaar / slang / apparaat (Afb. 14).
6. Open het regelventiel (7) (Afb. 1B) door het linksom van - naar + te draaien (de bedieningsknop moet in de stand "OFF" (O) blijven). Bellen in de gaslekplossing geven aan dat er een gaslek is.
7. Sluit het ventiel van de regelaar.
8. De grill mag pas worden gebruikt als alle lekken zijn verholpen.
9. Koppel de regelaar los van het patroon en neem contact op met de plaatselijke klantenservice voor verdere hulp.

Belangrijk: Herhaal de controle op gaslekken ten minste eenmaal per jaar en elke keer als de gasfles wordt vervangen.

E - INGEBRUIKNEMING

360 Grill:

A - Plastic deksel:

Het plastic deksel wordt met clips aan de bovenkant van de vuurkist vastgemaakt (Afb. 2). Tijdens het transport houdt het alle binnendelen op hun plaats. Verwijder het voor gebruik.

B - Gebruik van het waterreservoir:

Plaats het apparaat op een vlakke ondergrond. Vul het reservoir met water tot de MAX-markering. (Afb. 3A) Let op dat er geen water op de brander wordt gemorst.

Na de kooksessie kunt u het waterreservoir loskoppelen om het mengsel van water en vet weg te gooien en het reservoir schoon te maken. U kunt een spons gebruiken die is gempregneerd met een niet-schurend schoonmaakmiddel of het reservoir in de vaatwasser plaatsen.

Koppel het waterreservoir los door aan de vergrendelknop (10) te trekken. Houd de knop ingedrukt tot de stop-markering, verwijder het reservoir door het omhoog te bewegen. (Afb. 3B)

Plaats het reservoir na de reiniging terug op de basis:

- 1- Trek aan de vergrendelknop (10) (Afb. 3C)
- 2- Lijn het kijkglas (11) uit met de bedieningsknop (9). De inkepingen (12) in de rand van het reservoir moeten in lijn zijn met de borgas (13) (Afb. 3D)
- 3- Plaats het reservoir op zijn steun
- 4- Laat de knop los, het reservoir is vergrendeld (Afb. 3E)

Vul bij elk volgend gebruik de tank met water tot de aanduiding MAX. (Afb. 3A)

C - Pansteun:

Zet de pansteun op zijn plaats. Let erop dat u de 3 inkepingen van de basis in de 3 kleppen van het midden van de vuurkist plaatst. De rotatie van de steun is geblokkeerd. Uw apparaat is klaar om als kooktoestel te gebruiken. (Afb. 4)

D - Warmteverdeler:

Plaats de warmteverdeler op de bovenkant van de armen van de pansteun en lijn de inkepingen van de 3 steunen uit met elke arm van de steun. (Afb. 5)

E - Grillplaat:

Plaats de grillplaat op de 3 steunen bovenop de vuurkist, let erop dat u het oppervlak dat u wenst erop legt. (Afb. 6A en 6B)

Patroonhouder:

Uw apparaat wordt geleverd met een patroonhouder. Met deze houder kunt u de patroon aan de rand van de tafel bevestigen. De patroon is dus ver verwijderd van de warmtebron en het neemt geen plaats in op de tafel.

- Plaats uw apparaat in het midden en rol de slang uit tot aan de rand van de tafel.
- Bevestig de patroonhouder aan de rand van de tafel. De lengte van de stelschroef maakt een aanpassing aan de meeste tafels mogelijk. (Afb. 8)

Draai de stelschroef (14) los zodat de ruimte tussen de 2 rubberen pads past bij de dikte van het frame van uw tafel (Afb. 9A), open de steun op de rand van uw tafel en draai de schroef vast voor een veilige bevestiging aan de tafel. (Afb. 9B)

- Laat de duwer (15) naar boven schuiven en plaats de regelaar in de daarvoor bestemde behuizing. (Afb. 10A & 10B)
- Laat de duwer naar beneden gaan, zo blijft de regelaar op zijn plaats dankzij de veer. (Afb. 10C)
- Controleer of de slang vrij is afgerold, zonder enige draaiing of wrijving, noch contact met hete oppervlakken van het apparaat. (Afb. 11) Trek nooit aan de slang en draai er nooit aan.

VEILIGHEIDSMATREGELEN

Gebruik het toestel niet op een afstand van minder dan 20 cm van een muur of brandbaar voorwerp.

Plaats het apparaat op een stabiel, horizontaal oppervlak en verplaats het niet tijdens gebruik, om te vermijden dat er grote vlammen verschijnen als gevolg van de verbranding van vloeibaar butaan, in plaats van gasvormig butaan. Mocht dit toch optreden, draai de regelknop dan dicht en zet het apparaat op een andere plaats.

Gebruik geen pannen met een diameter van minder van 12 cm of meer dan 26 cm.

Voordat u het apparaat in de grill- of plancha-stand aansteekt, moet u het reservoir met water vullen tot de 'MAXI'-markering.

Bescherm uw apparaat tegen wind, de prestaties zullen toenemen.

Laat de kookplaat nooit langer dan een minuut zonder etenswaren branden (behalve tijdens de eerste voorverwarmpriode), anders wordt de speciale coating beschadigd.

Gebruik altijd kookgerei van siliconen of hout voor het manipuleren van uw gerechten, om beschadiging van de antiaanbaklaag te voorkomen.

Wacht tot het toestel volledig is afgekoeld voordat u het toestel voorbereid voor opslag.

Voorzichtig: sommige onderdelen kunnen zeer heet zijn. Houd jonge kinderen bij het toestel vandaan.

Het wordt aanbevolen om beschermende handschoenen te dragen bij het hanteren van onderdelen die erg heet kunnen zijn.

Neem het apparaat pas in gebruik nadat u de instructies zorgvuldig hebt gelezen en begrepen. Zorg er bovendien voor:

- dat er geen lekkages zijn;
- dat de branderbuis niet geblokkeerd is (door spinnenwebben etc.);
- dat de slang niet in contact komt met onderdelen die heet kunnen worden.

Belangrijk: Controleer of een vlam aanwezig is via het kijkglas op de vuurkist boven de bedieningsknop (11) (Afb. 1A). Als de brander uitgaat tijdens het grillen, sluit dan onmiddellijk de gaskraan en wacht 5 minuten om het gas te laten verdampen. Ontsteek het apparaat na deze wachttijd opnieuw.

F - GEBRUIK

HET AANZETTEN VAN DE BRANDER

Piëzo-ontsteking (Afb. 12)

1. Open de gastoevoer door de klep op de regelaar naar '+' te draaien. (Afb. 12A)
2. Draai de regelknop linksom (richting " ⚡☆ ") zodat deze volledig open staat. Wacht 3 s zodat het circuit gevuld is, druk de knop volledig in tot u een klik hoort.
3. Druk de knop zonnodig 3 of 4 keer achter elkaar in, totdat de brander is ontstoken. (controleer de vlam via het kijkglas (11) aan de voorzijde van het reservoir).
4. Wanneer de brander niet gaat branden, draait u de regelknop rechtsom, in de stand "off" (O) (uit) totdat die niet verder kan. Wacht 5 minuten voordat u de ontstekingsprocedure herhaalt.
5. Brandt de brander na de tweede poging nog niet, dan kunt u **A.** overgaan op het aansteken met een lucifer volgens onderstaande paragraaf, of **B.** lees deel I Problemen oplossen.

Aansteken met een lucifer (Afb. 13):

1. Open de gastoevoer door de klep op de regelaar naar '+' te draaien. (Afb. 13A)
2. Verwijder indien nodig de grillplaat en plaats een brandende lucifer bij de brander.
3. Draai de bedieningsknop naar de lage vermogensstand (in de richting van ⚡).
4. Kijk door het kijkglas (11) of er een vlam is.
5. Plaats de grillplaat terug.
6. Verhoog het vermogen door de knop linksom te draaien tot aan de stand ⚡☆.

HET KOKEN

A - Zo gebruikt u het apparaat als grill

1. Zorg ervoor dat het reservoir is gevuld met water tot de 'MAXI'-markering en dat de pansteun en de warmteverdeler zijn geïnstalleerd zoals beschreven in deel E.
2. Verwarm de kookplaat voor op maximaal vermogen gedurende ca. 10 minuten om de ideale kooktemperatuur te bereiken. Leg je ingrediënten op de plaat en pas de temperatuur zoals gewenst aan met de draaiknop.
3. Controleer na 1 uur koken de hoeveelheid water in het reservoir. Voeg indien nodig water toe tot de MAX-markering.

De kookplaat is bekleed met een anti-aanbaklaag die u in staat stelt gezond te koken zonder vetstoffen bij te voegen.

Dankzij het opvangen van de vetstoffen in de water bak, is het kookresultaat perfect gezond (geen over blijvende of verkoelde vetstoffen) en de voedingsmiddelen behouden hun smaak en zachtheid.

Door de sterke warmte-ontwikkeling verkleurt de plaat blauwachtig. Dit heeft geen gevolgen voor de kwaliteit van het toegepaste materiaal.

B - Zo gebruikt u het apparaat als kooktoestel

BELANGRIJK: Wanneer u het apparaat als kooktoestel gebruikt, moet u de bereidingsplaat eraf nemen. Plaats nooit kookpotten op de kookplaat of de warmteverdeler.

Zet het kookgerei (koekenpan, pan...) op het rooster, in het midden boven de brander. Zorg ervoor dat de vlam niet onder de bodem van het kookgerei uit komt.

Gebruik geen pannen met een diameter van minder van 12 cm of meer dan 26 cm.

DOVEN

Draai de regelknop rechtsom in de stand "off" (O) (uit) totdat de knop niet verder kan.

G - HET UITNEMEN VAN EEN CARTOUCHE

De cartouche kan worden verwijderd, zelfs als deze niet leeg is.

1. Draai de regelknop rechtsom in de stand "off" (O) (uit) totdat de knop niet verder kan.
2. Wacht tot het toestel is afgekoeld.
3. Houd de regelaar vast, schroef de gaspatroon los door deze linksom te draaien totdat u een klik hoort (ongeveer een zesde van een slag), en verwijder de patroon vervolgens.
4. Werp nooit een cartouche die niet leeg is, weg (kijk dit na door deze te schudden en de aanwezigheid van enig geluid van een vloeistof vast te stellen).

H - ONDERHOUD EN OPSLAG

Onderhoud uw apparaat regelmatig, u zult er gedurende talrijke jaren blij mee zijn.

- Reinig uw apparaat niet wanneer deze aan staat. Wacht tot deze is afgekoeld om brandwonden te voorkomen die ontstaan vanwege de warme onderdelen (grillplaat, grill, rooster, reservoir, etc.).
- Zodra het apparaat koud is (ongeveer 15 minuten), verwijderd u de kookplaat, de warmteverdeler en de pansteun. Ontgrendel de tank van de basis zoals beschreven in deel E. Gooi het water eruit.
- Maak vet geworden onderdelen schoon met water en zeep of een niet-schurend afwasmiddel.
- Om het schoonmaken te vereenvoudigen, kunnen het deksel, de kookplaat, het reservoir en de pansteun in de vaatwasser worden gewassen.
- Zorg ervoor dat u bij het schoonmaken de gaatjes van de branders niet verstopt. Als deze gaatjes-Bij voorbeeld door het overkoken van levensmiddelen zijn verstopt, kunt u ze het best met een niet-metalen borstel ontstoppen.
- Monteer de verwijderbare onderdelen na het reinigen van het apparaat; plaats het deksel en sluit het door op de drie clips te drukken. (Afb. 2)
- Het apparaat dient opgeborgen te worden in een koele, droge en luchtige plaats buiten het bereik van kinderen nooit in een kelder.
- Wanneer het apparaat gedurende lange tijd niet wordt gebruikt, ontkoppelt u de gastank van het apparaat en gaat daarbij te werk zoals aangegeven wordt in paragraaf G.
- Als het apparaat langer dan 30 dagen niet is gebruikt, verwijder dan eerst eventuele spinnenwebben die de openingen van de branderbuis kunnen verstopten. Spinnenwebben kunnen de prestaties van het apparaat verminderen of de oorzaak zijn van een gevaarlijke gasontbranding buiten de brander.
- Berg uw apparaat op in de tas (16). Met deze tas kunt u uw apparaat gemakkelijk dragen of stofvrij opbergen.

NL

I - PROBLEMEN / OPLOSSINGEN

In geval van terugbranding (ontsteking onder de branderdop), schakel het product uit, laat deze (circa vijf minuten) afkoelen en schakel het apparaat opnieuw in. Als de terugbranding zich opnieuw voordoet, neem contact op met uw lokale Campinggaz® handelaar.

Probleem	Mogelijke oorzaak / Oplossing
De brander gaat niet aan	<ul style="list-style-type: none">• Storing in de gastoevoer• Drukregelaar werkt niet• Verstopping van slang, kraan, venturibuis of gaatjes van de brander. Reinig de venturi.
De brander brandt onregelmatig of gaat uit	<ul style="list-style-type: none">• Controleer de gastoevoer• Controleer of de slang goed is aangesloten• Zie de serviceafdeling
Onstabiele vlammen met spuitend geluid	<ul style="list-style-type: none">• Nieuwe gasfles bevatte lucht. Laat de brander branden tot het probleem verholpen is• Restwater, na het wassen van de brander of het vullen/leggen van het reservoir. Laat de brander branden tot het probleem verholpen is.• Zie de serviceafdeling
Grote vlam aan de bovenkant van de brander	<ul style="list-style-type: none">• Verstopte venturibuis (bijv. met spinnenwebben)• Zie de serviceafdeling
Vlam ter hoogte van de injector	<ul style="list-style-type: none">• De gasfles is bijna leeg• Vervang de gasfles en het probleem is verholpen• Zie de serviceafdeling
Brandend lek ter hoogte van de koppeling	<ul style="list-style-type: none">• Sluit onmiddellijk de gastoevoer• De koppeling is niet gasdicht: draai de moeren aan of vervang de slang• Zie de serviceafdeling
Onvoldoende warmteontwikkeling	<ul style="list-style-type: none">• Verstopte injector of venturibuis. Reinig de venturi.• Zie de serviceafdeling
Brandend lek achter de regelknop	<ul style="list-style-type: none">• Defecte kraan• Sluit het toestel• Zie de serviceafdeling

INSTRUCCIONES DE EMPLEO

NOTA: a menos que se especifique de otro modo, los siguientes términos genéricos "aparato / unidad / producto / equipo / dispositivo" que aparecen en este manual de instrucciones se refieren todos al producto "360 Grill CV".

Consumo: 160 g/h (2.2 kW)-inyector n° 79

Categoría: presión directa butano

Gracias por elegir un producto Campingaz®.

A - IMPORTANTE: ESTA UTILIZANDO GAS, SEA PRUDENTE !

- El propósito de estas instrucciones es que pueda utilizar su producto Campingaz® 360 Grill CV de forma correcta y segura.
- Léalas detenidamente para familiarizarse con el dispositivo antes de montar el cartucho de gas.
- Respete las instrucciones y los consejos de seguridad que aparecen en los cartuchos Campingaz® CV 470 PLUS. Si no los respeta, esto puede representar un peligro para el usuario y para su entorno.
- Conserve estas instrucciones de empleo siempre en un lugar seguro con el fin de poderlas consultar cuando sea necesario.
- Este dispositivo debe utilizarse únicamente con cartuchos Campingaz® CV 470 PLUS. El uso de otros cartuchos de gas puede resultar peligroso.
- La Sociétié Application Des Gaz no asume responsabilidad alguna por el uso de cartuchos de gas de otras marcas.
- Esta barbacoa debe usarse solo en exteriores y lejos de materiales inflamables.
- No utilice el dispositivo si presenta fugas, daños o un funcionamiento incorrecto. En su lugar, devuélvalo a su tienda, que le informará del servicio postventa más cercano.
- No modifique este dispositivo en ningún caso ni lo utilice para fines diferentes a los previstos originalmente. Cualquier modificación de el aparato podría ser peligrosa.
- No utilice este dispositivo en autocaravanas, coches, tiendas de campaña, cabañas, cobertizos ni en ningún recinto cerrado pequeño.
- El dispositivo no debe utilizarse mientras se duerme o sin vigilancia.
- Todos los dispositivos que utilizan gas consumen oxígeno y emiten otras sustancias y gases potencialmente peligrosos, como monóxido carbónico (CO).
- Una parte de estos productos de combustión puede contener monóxido de carbono (CO). El monóxido de carbono, inodoro e incoloro, puede provocar malestar y síntomas similares a la gripe; pueden provocar incluso la muerte si el aparato se utiliza en interior sin una ventilación adecuada.

B - SU EQUIPO

Desembale y descubra su equipo (Fig. 1A y 1B)

- | | |
|-----------------------------------|--------------------------|
| (1) Tapa de plástico | (7) Regulador |
| (2) Plancha | (8) Soporte de cartuchos |
| (3) Difusor de calor | (9) Selector |
| (4) Soporte para ollas y sartenes | (10) Botón de bloqueo |
| (5) Depósito de agua | (16) Bolsa de transporte |
| (6) Base | |

C - INSTALACION DE UN CARTUCHO CAMPINGAZ® CV 470 PLUS

(Si se encuentra instalado un cartucho vacío, leer el párrafo G : "Desmontaje del cartucho").

Al instalar o cambiar un cartucho, hágalo siempre en una ubicación con muy buena ventilación, preferiblemente en el exterior, nunca cerca de una llama, fuente de calor o chispa (cigarrillos, aparato eléctrico, etc.), y siempre lejos de personas y material inflamable.

DADO QUE LOS CARTUCHOS CAMPINGAZ® CV 470 PLUS TIENEN VALVULA, PUEDEN DESMONTARSE DEL APARATO CON EL FIN DE FACILITAR SU TRANSPORTE AUN CUANDO NO ESTEN VACIOS; PODRAN VOLVER A MONTARSE EN OTROS APARATOS CAMPINGAZ® DE LA GAMA CV 470 PLUS DISEÑADOS PARA FUNCIONAR EXCLUSIVAMENTE CON ESTOS CARTUCHOS.

1. Gire el mando de control en sentido horario hasta la posición de apagado (O) hasta que se detenga. (Fig. 7A)
2. Enrosque con suavidad el cartucho de gas girándolo en sentido horario hasta que oiga un clic (aproximadamente una sexta parte de vuelta). No apriete más el cartucho: podría deteriorar su válvula. (Fig. 7B)

En caso de fuga (olor a gas antes de abrir la llave), saque el dispositivo al exterior de inmediato, a un área bien ventilada y sin fuentes de combustión, donde la fuga se pueda localizar y detener. Si desea comprobar que no haya fugas en el dispositivo, debe hacerlo en el exterior. No intente detectar fugas con una llama; utilice agua con jabón.

D - CONTROL DE FUGAS DE GAS

1. Mantenga el equipo alejado de materiales inflamables y no fume cerca de él.
2. Asegúrese de que el mando esté en la posición de apagado (O).
3. Coloque el regulador sobre el cartucho de gas (véase el apartado C).
4. Nunca utilice una llama para detectar una fuga de gas. Use una solución para detectar fugas de gas.
5. Aplique la solución a las conexiones entre el cartucho, el regulador, la manguera y el equipo (Fig. 14).
6. Abra la válvula del regulador (7) (Fig. 1B) al girarla hacia la izquierda desde la posición - a la posición + (el mando debe permanecer en la posición de apagado (O)). Si hay una fuga de gas, aparecerán burbujas en la solución para fugas de gas.
7. Cierre la válvula del regulador.
8. La barbacoa no puede utilizarse hasta que se eliminen todas las fugas.
9. Desconecte el regulador del cartucho y contacte con el servicio posventa local para que le asistan.

Importante: Compruebe que no haya fugas, por lo menos, una vez al año y cada vez que se cambie el cartucho.

ES

E - PUESTA EN SERVICIO

360 Grill:

A - Tapa de plástico:

La tapa de plástico se fija con firmeza a la parte de arriba del equipo por medio de sujeciones (Fig. 2). De este modo, todos los componentes internos se mantienen en su sitio durante el transporte. Retírela antes de utilizar el equipo.

B - Uso del depósito de agua:

Coloque el equipo sobre una superficie plana. Vierta agua en el depósito hasta alcanzar la marca MAXI (Fig. 3A). Preste atención a no derramar agua sobre el quemador.

Cuando haya terminado de cocinar, se recomienda desconectar el depósito de agua para desechar la mezcla de agua y grasa, y limpiarlo. A este fin, se puede utilizar una esponja impregnada con detergente no abrasivo, o colocar el depósito en el lavavajillas.

Desconecte el depósito de agua moviendo el botón de bloqueo (10) hacia fuera. Mantenga el botón de bloqueo presionado hasta el tope y quite el depósito hacia arriba (Fig. 3B).

Una vez finalizada la limpieza, vuelva a colocar el depósito en la base:

- 1- Presione el botón de bloqueo (10) hacia fuera (Fig. 3C).
- 2- Alinee la mirilla de la llama (11) con el selector (9). Los orificios (12) de la base del depósito deben estar alineados con el eje de bloqueo (13) (Fig. 3D).
- 3- Coloque el depósito sobre su base.
- 4- Suelte el botón para bloquear el depósito (Fig. 3E).

Llene el depósito con agua hasta la marca MAX si quiere volver a usar el equipo. (Fig. 3A)

C - Soporte para ollas y sartenes:

Coloque el soporte para ollas y sartenes en su sitio. Asegúrese de insertar las 3 solapas del centro del equipo en los 3 orificios de su base. De este modo, se habrá bloqueado el movimiento de rotación del soporte. Su equipo está listo para ser utilizado como hornillo (Fig. 4).

D - Difusor de calor:

Coloque el difusor de calor sobre los brazos del soporte de ollas y sartenes, alineando las muescas de sus 3 enganches con cada uno de los brazos del soporte (Fig. 5).

E - Plancha:

Coloque la plancha sobre sus 3 soportes en la parte superior del equipo, asegurándose de colocar la superficie que desee utilizar hacia arriba (Fig. 6A y 6B).

Soporte de cartuchos:

Su equipo dispone de un soporte de cartuchos. Este soporte le permite sujetar el cartucho en el extremo de la mesa. De este modo, el cartucho se mantiene alejado de la fuente de calor y tampoco molesta en la superficie de la mesa.

- Coloque su equipo en el centro y estire la manguera hasta alcanzar el extremo de la mesa.
- Sujete el soporte de cartuchos en el extremo de la mesa. La longitud del tornillo de ajuste permite una adaptación a la mayoría de las mesas (Fig. 8).

Desenrosque el tornillo de ajuste (14), de modo que el espacio entre los 2 toques de goma sea acorde al espesor de la tabla de su mesa (Fig. 9A). Inserte el soporte en el extremo de la mesa y, a continuación, apriete el tornillo con firmeza para garantizar que el soporte se haya ajustado de forma segura a la mesa (Fig. 9B).

- Desplace la lengüeta de sujeción (15) hacia arriba e inserte el regulador en la ranura diseñada a este fin

(Fig. 10A y 10B).

- Deje que la lengüeta de sujeción se desplace hacia abajo. De este modo, el regulador se mantendrá en su sitio gracias al resorte de la lengüeta (Fig. 10C).
- Asegúrese de que la manguera esté completamente desenrollada, sin puntos de torsión o tracción, y sin contacto con superficies calientes del equipo (Fig. 11). Nunca tire de la manguera ni la gire.

PRECAUCIONES DE SEGURIDAD

No utilice el dispositivo a una distancia inferior a 20 cm de la pared o un objeto inflamable.

Coloque el aparato sobre una superficie horizontal estable y no lo mueva cuando lo utilice, para evitar que aparezcan grandes llamas por la combustión del líquido butano en lugar de butano vaporizado. Si ocurre esto, cierre el mando de control y vuelva a colocar el aparato.

No use un recipiente para cocinar con un diámetro menor a 12 cm o mayor a 26 cm.

Antes de encender el equipo para utilizarlo como plancha o para asar, asegúrese de que el depósito esté lleno con agua hasta la marca MAXI.

El rendimiento del equipo será mejor si se lo protege del viento.

Nunca deje la placa de cocción con fuego y sin alimentos por más de un minuto (con la excepción del momento de precalentamiento inicial), dado que puede dañarse el revestimiento especial.

Para prevenir daños en el revestimiento antiadherente, use siempre utensilios de silicona o madera para cocinar.

Espere a que el dispositivo se haya enfriado por completo antes de almacenarlo.

Precaución: algunas piezas pueden estar muy calientes. Mantenga a los niños alejados del dispositivo.

Se recomienda utilizar guantes de protección para manipular componentes que puedan presentar altas temperaturas.

Nunca utilice el equipo sin haber leído las instrucciones con atención y haberlas comprendido. Además, asegúrese de lo siguiente:

- Que no haya fugas.
- Que el tubo del quemador no tenga obstrucciones (telarañas, etc.).
- Que la manguera no esté en contacto con componentes que puedan alcanzar temperaturas elevadas.

Importante: Asegúrese de que haya llama por medio de la mirilla situada en el equipo sobre el mando (11) (Fig. 1A). Si el quemador se apaga durante la cocción, cierre la válvula de gas de inmediato y espere 5 minutos para que el gas se evapore. Vuelva a encender el equipo después de ese tiempo de espera.

F - UTILIZACIÓN

ENCENDIDO DEL QUEMADOR

Encendido piezo eléctrico (Fig. 12)

1. Abra la alimentación de gas al girar la válvula del regulador hacia la posición «+». (Fig. 12A)
2. Gire el mando de control en sentido antihorario (hacia "⚡☆"), de modo que esté completamente abierto. Espere 3 s para permitir que se llene el circuito y, a continuación, presione el botón completamente hasta oír un clic.
3. Siga pulsando 3 o 4 veces si es necesario, hasta encender el quemador (compruebe la llama a través de la ventana (11) de la parte frontal del depósito).
4. Si no se enciende el quemador, gire en sentido horario el mando de control a la posición de apagado (O) hasta que se detenga. Espere 5 minutos antes de repetir la operación.
5. Si no se enciende el quemador tras el 2º intento, puede **A.** proceder al Encendido con cerilla en la sección siguiente, o **B.** Consulte el apartado I - Resolución de problemas.

Encendido con cerillas (Fig. 13):

1. Abra la alimentación de gas al girar la válvula del regulador hacia la posición «+». (Fig. 13A)
2. Si es necesario, retire la plancha y acerque un fósforo encendido al quemador.
3. Gire el selector hacia la marca de baja potencia (en dirección a la marca ⓪).
4. Asegúrese de que haya llama por medio de la mirilla (11).
5. Vuelva a colocar la plancha en su sitio.
6. Aumente la potencia al girar el selector hacia la izquierda, en dirección a la marca ⚡☆.

COCCIÓN

A - Utilización del aparato como grill

1. Asegúrese de que el depósito esté lleno con agua hasta la marca MAXI, y de que el soporte de ollas y sartenes y el difusor de calor estén instalados, como se describe en el apartado E.
2. Precaliente la placa de cocción durante unos 10 minutos a máxima potencia a fin de alcanzar la temperatura ideal para cocinar. Coloque sus ingredientes en la placa y ajuste la temperatura con el selector, en función de sus preferencias para la cocción.
3. Controle la cantidad de agua en el depósito después de 1 hora de cocción. Si es necesario, añada agua hasta alcanzar la marca MAXI.

La placa de cocción está revestida de un tratamiento antiadherencia de alta calidad, que permite una cocción sana sin añadido de grasa..

Gracias a la recuperación de las grasas en la cubeta de agua, la cocción es perfectamente sana (sin grasas residuales o carbonizadas) y los alimentos mantienen su gusto y su suavidad.

La decoloración azulada del plato de cocina se debe a la gran acumulación de calor. Esto no afecta a la calidad del material utilizado.

B - Utilización del aparato como estufa

IMPORTANTE: Debe retirar el plato de cocina cuando utilice el aparato como una estufa. Nunca coloque recipientes para cocinar sobre la placa de cocción o el difusor de calor.

Coloque un recipiente de cocina (sartenes, cacerolas, etc.) sobre la rejilla, centrado sobre el quemador. La llama no debe exceder el lado inferior del recipiente de cocina.

No use un recipiente para cocinar con un diámetro menor a 12 cm o mayor a 26 cm.

EXTINCIÓN

Gire el mando de control en sentido horario hasta la posición de apagado (O) hasta que se detenga.

G - DESMONTAJE DEL CARTUCHO

El cartucho puede retirarse aunque no esté vacío.

1. Gire el mando de control en sentido horario hasta la posición de apagado (O) hasta que se detenga.
2. Espere a que el dispositivo se enfríe.
3. Mientras sujeta el regulador, desenrosque el cartucho de gas girándolo hacia la izquierda hasta oír un clic (aproximadamente 1/6 de un giro) y, a continuación, retírelo.
4. Jamás deshacerse de un cartucho que no esté vacío (verificar la ausencia de ruido del líquido sacudiéndolo).

H - MANTENIMIENTO Y ALMACENAMIENTO

Cuide su aparato con regularidad; le servirá durante muchos años.

- No limpie su aparato cuando está en funcionamiento. Espere a que esté frío, para evitar las quemaduras provocadas por las partes calientes (plancha, parrilla, rejilla, depósito, etc.).
- Una vez que el equipo esté frío (aproximadamente después de 15 minutos), retire la placa de cocción, el difusor de calor y el soporte para ollas y sartenes. Desbloquee el depósito de la base, de acuerdo con las instrucciones del apartado E. Vacíe el agua.
- Limpiar las partes grasas con agua y jabón o un detergente no abrasivo.
- Con el objetivo de simplificar la limpieza, la tapa, la placa de cocción, el depósito, y el soporte para ollas y sartenes pueden lavarse en el lavavajillas.
- Durante la limpieza, procure no obstruir los agujeros de los quemadores. Si están obstruidos, por ejemplo por desbordamientos de alimentos, libere los agujeros con un cepillo no metálico.
- Después de la limpieza, vuelva a montar los componentes desmontables en el equipo, coloque la tapa nuevamente y ciérrela al presionar las 3 sujeciones. (Fig. 2)
- El aparato debe ser almacenado en un lugar fresco, seco y ventilado, fuera del alcance de los niños, y nunca en un sótano o una bodega.
- Si no utiliza durante mucho tiempo el aparato, desconecte el depósito haciendo las operaciones indicadas en el párrafo G.
- Si no se ha utilizado el aparato durante más de 30 días, comprobar que no hay telarañas obstruyendo los orificios del tubo de quemador, lo que podrían conllevar una disminución de la eficacia del aparato o una quema peligrosa del gas fuera del quemador.
- Guarde su equipo en la bolsa (16). Esta bolsa le permite transportar su equipo sin inconvenientes o guardarlo para protegerlo del polvo.

ES

I - PROBLEMAS / SOLUCIONES

En caso de retroceso de la llama (ignición debajo de la tapa del quemador), apagar el hornillo, dejar que se enfríe (aproximadamente cinco minutos) y volver a encenderlo. Si el problema del retroceso de la llama continúa, por favor contactar con el representante local de Campingaz®.

Problemas	Causas probables / Soluciones
El quemador no se enciende	<ul style="list-style-type: none">• Mala llegada del gas• Manorreductor no funciona• Tubo, grifo, tubo venturi u orificios del quemador están obstruidos. Limpie el venturi.
El quemador tiene fallos o se apaga	<ul style="list-style-type: none">• Verificar si hay gas• Verificar la conexión del tubo• Ver el S.P.V.
Las llamas son inestables	<ul style="list-style-type: none">• Bombona nueva que puede contener aire. Dejar funcionar y el defecto desaparecerá• Agua residual después de lavar el quemador o llenar/vaciar el depósito. Dejar funcionar y el defecto desaparecerá.• Ver el S.P.V
Gran variedad de llamas en la superficie del quemador	<ul style="list-style-type: none">• el tubo venturi está obstruido (p.ej.: telas de araña)• Ver el S.P.V
Llama en el inyector	<ul style="list-style-type: none">• La bombona está casi vacía• Cambiar la bombona y el defecto desaparecerá• Ver el S.P.V
Escape inflamado en el racor	<ul style="list-style-type: none">• Cerrar inmediatamente la salida de gas• Racor no estanco: apretar las tuercas o cambiar el tubo• Ver el S.P.V.
Calor insuficiente	<ul style="list-style-type: none">• Inyector o tubo de venturi obstruidos. Limpie el venturi.• Ver el S.P.V.
Escape encendido detrás del llave de encendido	<ul style="list-style-type: none">• Grifo defectuoso• Parar el aparato• Consultar el S.P.V.

MODO DE EMPREGO

NOTA: Exceto se indicado de outro modo, os termos genéricos seguintes "aparelho / unidade / produto / equipamento / dispositivo" que aparecem neste manual de instruções referem-se todos ao produto "360 Grill CV".

Rate: 160 g/h (2.2 kW)-injector n° 79

Categoria: pressão directa butano

Obrigado por ter escolhido um produto Campingaz®.

A - IMPORTANTE: EXERÇA SEMPRE OS DEVIDOS CUIDADOS AO UTILIZAR GÁS!

- Estas instruções destinam-se a permitir uma utilização correcta e com toda a segurança do seu aparelho Campingaz® 360 Grill CV.
- Leia-as com atenção para se habituar ao aparelho antes de o montar com o recipiente de gás.
- Cumpra estas instruções assim como as recomendações de segurança que figuram nos cartuchos Campingaz® CV 470 Plus. O não cumprimento destas instruções pode ser perigoso para o utilizador e as pessoas próximas.
- Conserve estas instruções em permanência em local seguro, para consulta em caso de necessidade.
- Este aparelho deve ser utilizado exclusivamente com os cartuchos Campingaz® CV 470 Plus. Pode ser perigoso utilizar outros recipientes de gás.
- A Sociedade Application Des Gaz declina qualquer responsabilidade no caso de utilização de um cartucho de qualquer outra marca.
- Este grelhador apenas deve ser utilizado no exterior e longe de materiais inflamáveis.
- Não utilizar um aparelho com fugas, que funcione mal ou que estiver deteriorado. Levá-lo ao vendedor que indicará o serviço após-venda mais próximo.
- Nunca modificar este aparelho, nem o utilizar para aplicações a que não está destinado. Qualquer modificação do aparelho pode ser perigosa.
- Este aparelho não deve ser utilizado em caravanas, veículos, tendas de campismo, abrigos, cabanas ou qualquer outro espaço fechado.
- Não deve ser utilizado enquanto dorme ou deixado sem ser vigiado.
- Todos os aparelhos que funcionam com gás consomem oxigénio e emitem outras substâncias e gases potencialmente perigosos, como o monóxido de carbono (CO).
- O monóxido de carbono, inodoro e incolor, pode provocar enjão e sintomas gripais, isto é potencialmente a perda de vida caso o aparelho seja utilizado no interior sem ventilação adequada.

B - O SEU EQUIPAMENTO

Retire o equipamento da embalagem e verifique as diferentes partes (Fig. 1A e 1B)

- | | |
|-----------------------|-------------------------|
| (1) Tampa de plástico | (7) Regulador |
| (2) Chapa de confeção | (8) Suporte do cartucho |
| (3) Difusor de calor | (9) Botão de controlo |
| (4) Suporte de tachos | (10) Botão de bloqueio |
| (5) Depósito de água | (16) Saco de transporte |
| (6) Base | |

C - COLOCAÇÃO DE UM CARTUCHO CAMPINGAZ® CV 470 PLUS

(Se o cartucho existente estiver vazio, consulte a secção G, "DESMONTAGEM DO CARTUCHO").

Para colocar ou desmontar um cartucho, trabalhar sempre em local arejado, de preferência no exterior e nunca em presença de chama, fonte de calor ou fiação (cigarro, aparelho eléctrico, etc.), longe de outras pessoas e de materiais inflamáveis.

COMO OS CARTUCHOS CAMPINGAZ® CV 470 PLUS SÃO DE VÁLVULA, PODEM SER DESMONTADOS DESTE APARELHO PARA FACILITAR O TRANSPORTE, MESMO SE NÃO ESTIVEREM VAZIOS E SER MONTADOS EM OUTROS APARELHOS CAMPINGAZ® DA GAMA CV 470 PLUS CONCEBIDOS PARA FUNCIONAR EXCLUSIVAMENTE COM ESTES CARTUCHOS.

1. Rode o botão de controlo no sentido horário para a posição (O) até parar. (Fig. 7A)
2. Aparafuse suavemente a botija de gás rodando-a no sentido horário até ouvir um clique (cerca de um sexto de uma volta). Não force a rotação da botija além disto; caso contrário, poderá danificar a válvula da botija. (Fig. 7B)

No caso de fuga (cheiro de gás antes de abrir a torneira), pôr imediatamente o aparelho no exterior, em local muito ventilado, sem fonte de inflamação, onde a fuga poderá ser procurada e vedada. Se desejar verificar a vedação do aparelho, faça-o no exterior. Não procurar as fugas com uma chama mas utilizar água de sabão.

D - VERIFICAÇÃO DE FUGAS DE GÁS

1. Mantenha-o afastado de materiais inflamáveis, não fume perto do aparelho.
2. Certifique-se de que o botão de regulação está na posição "OFF" (O).
3. Encaixe o regulador no cartucho de gás (ver secção C).
4. Nunca utilize uma chama para detetar uma fuga de gás. Utilize uma solução de fugas de gás.
5. Aplique a solução nas ligações entre o cartucho/regulador / mangueira / aparelho (Fig. 14).
6. Abra a válvula reguladora (7) (Fig. 1B), rodando no sentido contrário aos ponteiros do relógio - para + (O botão regulador deve permanecer na posição "OFF" (O)). Bolhas na solução de deteção de fugas de gás indicam a existência de uma fuga de gás.
7. Feche a válvula do regulador.
8. O grelhador não deve ser utilizado até todas as fugas terem sido eliminadas.
9. Desligue o regulador do cartucho e contacte o serviço pós-venda para obter assistência.

Importante: Verifique se existem fugas pelo menos uma vez por ano e sempre que trocar de cartucho de gás.

E - PREPARAÇÃO DE UTILIZAÇÃO

360 Grill:

A - Tampa de plástico:

A tampa de plástico está fixada na parte de cima da boca do queimador através de ganchos (Fig. 2). Os ganchos mantêm as peças interiores no devido lugar durante o transporte. Deve retirar-los antes da utilização.

B - Utilização do depósito de água:

Coloque o equipamento numa superfície plana. Encha o depósito com água até ao nível máximo, indicado por MAX. (Fig. 3A) Tenha cuidado para não entornar água sobre o queimador.

Quando terminar, pode retirar o depósito de água para deitar fora a mistura de água e gordura e limpá-lo. Pode utilizar uma esponja impregnada de detergente não abrasivo ou colocar o depósito na máquina de lavar loiça.

Retire o depósito de água puxando o botão de bloqueio (10). Mantendo o botão puxado até que destranque, retire o depósito fazendo-o deslizar para cima. (Fig. 3B)

Depois de o limpar, coloque o depósito de volta na base:

1- Puxe o botão de bloqueio (10) (Fig. 3C)

2- Alinhe a janela de visualização da chama (11) com o botão de controlo (9). Os entalhes (12) da base do depósito devem ser alinhados com o eixo de bloqueio (13) (Fig. 3D)

3- Coloque o depósito no suporte respetivo

4- Solte o botão, o depósito fica bloqueado (Fig. 3E)

Encha o tanque com água até à marcação MAX caso pretenda utilizá-lo novamente. (Fig. 3A)

C - Suporte de tachos:

Colocar o suporte de tachos no local adequado. Assegure-se de que encaixa os 3 entalhes da base nas 3 abas existentes no centro da boca do queimador. A rotação do suporte fica bloqueada. O seu equipamento está pronto a funcionar como fogão. (Fig. 4)

D - Difusor de calor:

Coloque o difusor de calor por cima dos braços do suporte de tachos, alinhando os entalhes dos seus 3 suportes com cada braço do suporte. (Fig. 5)

E - Chapa de confeção:

Coloque a chapa de confeção nos seus 3 suportes por cima da boca do queimador, certificando-se que coloca a superfície desejada para cima. (Fig. 6A e 6B)

Suporte do cartucho:

O seu equipamento é fornecido com um suporte para os cartuchos. Este suporte permite que possa fixar o cartucho na ponta da mesa. Assim, o cartucho fica colocado longe da fonte de calor e a superfície da mesa fica com espaço disponível.

- Coloque o seu equipamento no centro e desenrole a mangueira até à ponta da mesa.

- Fixe o suporte do cartucho na ponta da mesa. O comprimento do parafuso de fixação permite a adaptação à maioria das mesas. (Fig. 8)

Desenrosque o parafuso de fixação (14) até que o espaço entre as 2 borrachas de proteção se ajustem à espessura do tampo da sua mesa (Fig. 9A), faça deslizar o suporte na ponta da mesa e de seguida aperte o parafuso assegurando a correta fixação à mesa. (Fig. 9B)

- Faça deslizar o mecanismo (15) para cima e insira o regulador na armação existente para esse fim. (Fig. 10A e 10B)

- Deixe o mecanismo deslizar para baixo, permitindo que o regulador fique na posição correta graças à mola. (Fig. 10C)

- Verifique que a mangueira está desenrolada, sem qualquer torção ou tração, nem está em contacto com as superfícies quentes do equipamento. (Fig. 11) Nunca puxe ou torça a mangueira.

CUIDADOS DE SEGURANÇA

Não utilizar o seu aparelho a menos de 20 cm de uma parede ou de um objecto combustível.

Posicione o aparelho sobre uma superfície estável e horizontal e não o mova quando em uso para evitar a aparição de chamas grandes resultantes da combustão de butano líquido em vez de butano vaporizado. Se isto ocorrer, rode o botão de controlo e reposicione o aparelho.

Não utilize um recipiente de preparação mais pequeno do que 12 cm ou com mais de 26 cm de diâmetro.

Antes de acender o equipamento no modo Grelhador ou Chapa, certifique-se de que encheu o depósito com água até ao nível "MAXI".

Proteja o seu equipamento do vento, para melhorar o seu desempenho.

Nunca deixe o prato de preparação no lume sem alimentos por mais de um minuto (exceto para o período inicial de pré-aquecimento) caso contrário o revestimento especial será danificado.

Para evitar danos na camada antiaderente, utilize sempre utensílios de cozinha de silicone ou madeira para mexer os seus cozinhados.

Esperar o arrefecimento completo do aparelho antes de qualquer manipulação para arrumação.

Atenção: Algumas peças podem aquecer consideravelmente. Mantenha as crianças afastadas do aparelho.

Recomenda-se a utilização de luvas de proteção quando mexer em utensílios que possam estar muito quentes.

Nunca utilize o aparelho sem antes ter lido atentamente e compreendido as instruções. Além disso, certifique-se de que:

- não existem fugas.

- que o tubo do queimador não está obstruído (por teias de aranha, etc.).

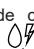
- o tubo não toca em nenhum componente que possa ficar quente.

Importante: verifique a existência de chama através da janela localizada na boca do queimador por cima do botão de controlo (11) (Fig. 1A). No caso de o queimador se apagar durante a utilização, feche a válvula do gás imediatamente e aguarde 5 minutos para que o gás remanescente se evapore. Volte a acender o equipamento após este tempo de espera.

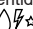
F - UTILIZAÇÃO

ACENDER O BICO

Ignição piezoelétrica (Fig. 12)

1. Abra o fornecimento de gás, girando a válvula do regulador para "+". (Fig. 12A)
2. Rode o botão de controlo no sentido anti-horário (em direcção a "  ") de maneira a que esteja completamente aberto. Aguarde 3 segundos para que o circuito se encha, seguidamente empurre totalmente o botão até ouvir um clique.
3. Repita, premindo 3 ou 4 vezes se necessário, até o bico estar aceso (verifique a chama através da janela (11) na frente do reservatório).
4. Se o bico não acender, rode o botão de controlo no sentido horário para a posição (O) até parar. Aguarde 5 minutos antes de repetir a operação.
5. Se o bico não acender após a segunda tentativa, pode A. prosseguir para a Ignição com fósforo na secção abaixo ou B. Leia a secção I Resolução de Problemas.

Ignição com fósforo (Fig. 13):

1. Abra o fornecimento de gás, girando a válvula do regulador para "+". (Fig. 13A)
2. Em caso de necessidade, remova a chapa de confeção e aproxime um fósforo aceso do queimador.
3. Rode o botão de controlo para o ajuste de potência mais baixo (no sentido de Ø).
4. Verifique a presença de chama através da janela (11).
5. Torne a colocar a chapa de confeção no seu lugar.
6. Aumente a potência, rodando o botão no sentido horário ao dos ponteiros do relógio até ao nível .

COZEDURA

A - Utilizar o aparelho como um grelhador

1. Certifique-se de que o depósito está cheio de água até ao nível "MAXI" e que o suporte de tachos e o difusor de calor estão instalados conforme descrito na secção E.
2. Pré-aquecer a placa de aquecimento na potência máxima durante cerca de 10 minutos para atingir a temperatura ideal para cozinhar. Coloque os ingredientes na chapa e ajuste a temperatura com o botão de controlo conforme desejado.
3. Após 1 hora de utilização verifique a quantidade de água existente no depósito. Se necessário, acrescente água até ao nível MAX.

A placa de cozedura está revestida com um tratamento anti-aderente de alta qualidade, que permite uma cozedura saudável sem acréscimo de gordura.

Graças à recuperação das gorduras no recipiente para água, a cozedura é perfeitamente saudável (sem gorduras residuais ou carbonizadas) e os alimentos conservam todo o sabor e ficam tenros.

O desenvolvimento de calor forte provoca uma descoloração azulada da placa de cozinha. Isto não afeta a qualidade do material utilizado.

B - Utilização do aparelho como fogão

IMPORTANTE: Retire a placa de cozinha para utilizar o aparelho como fogão. Nunca coloque recipientes sobre a chapa de confeção ou o difusor de calor.

Coloque um tacho (frigideiras, tachos...) sobre a grelha e centrado sobre o bico. Certifique-se de que a chama não excede a parte inferior do tacho.

Não utilize um recipiente de preparação mais pequeno do que 12 cm ou com mais de 26 cm de diâmetro.

DESATIVAÇÃO

Rode o botão de controlo no sentido horário para a posição (O) até parar.

G - DESMONTAGEM DO CARTUXO

O cartuxo pode ser desmontado mesmo se não estiver vazio.

1. Rode o botão de controlo no sentido horário para a posição (O) até parar.
2. Permita que o aparelho arrefeça.
3. Segurando o regulador, desaperte a botija de gás rodando-o no anti-sentido horário até ouvir um clique (cerca de um sexto de uma volta) e, em seguida, remova-a.
4. Nunca descartar um cartuxo que não estiver vazio. (verificar a ausência de ruído de líquido abanando nando-o).

H - MANUTENÇÃO E ARMAZENAMENTO

Se cuidar correctamente do seu aparelho, poderá usufruir da sua utilização durante vários anos.

- Não limpe o seu aparelho enquanto estiver a ser utilizado. Aguarde que arrefeça para evitar queimaduras causadas pelas peças quentes (grelhador, grelha, grelha de suporte, reservatório etc.).
- Quando a unidade tiver arrefecido (aproximadamente 15 minutos), remova a chapa de confeção, o difusor de calor e o suporte de tachos. Retire o depósito da base, de acordo com a secção E. Esvazie a água.
- Limpar as peças engorduradas com água e sabão ou um produto detergente não abrasivo.
- Para simplificar a limpeza, a tampa, chapa de confeção, depósito e suporte de tachos podem ser lavados na máquina de lavar loiça.
- Durante a limpeza, ter cuidado para não tapar os orifícios do queimador. Se os queimadores estiverem entupidos devido a alimentos entornados, desentupir os orifícios com uma escova não metálica.
- Depois de limpar, monte novamente as peças amovíveis do aparelho, volte a colocar a tampa e feche-a, premindo os 3 grampos. (Fig. 2)
- O aparelho deve ser armazenado num local fresco, seco e arejado, fora do alcance das crianças, nunca num subsolo ou numa cave.
- Se o aparelho não for utilizado durante um longo período de tempo, desligue a garrafa conforme indicado na secção G.
- Se o aparelho não tiver sido utilizado durante mais de 30 dias, verificar que não haja teias de aranha a tapar os orifícios do tubo do queimador, o que pode dar lugar a uma perda de eficácia do aparelho ou uma queima perigosa do gás fora do queimador.
- Guarde o seu equipamento no saco (16). O saco permite-lhe transportar facilmente o seu equipamento e arrumá-lo protegido do pó.

PT

I - DEFEITOS /CONSERTOS

Em caso de retorno de chama (ignição por baixo da tampa do queimador), desligue o produto, deixe-o arrefecer (cerca de cinco minutos) e volte a acender o fogão. Se o problema do retorno de chama persistir, contacte o seu representante local da Campingaz®.

Defeitos	Causas prováveis / consertos
O queimador não acende	<ul style="list-style-type: none">• Má entrada do gás• O redutor não funciona• Tubo, torneira, tubo venturi ou orifícios do queimador estão entupidos. Limpe o tubo venturi.
O queimador tem falhas ou apaga-se	<ul style="list-style-type: none">• Verificar se há gás• Verificar a conexão do tubo• Ver o serviço de pós-venda
Chamas soprantes instáveis	<ul style="list-style-type: none">• Garrafa nova podendo conter ar. Deixar funcionar e o defeito desaparecerá• Existência de água residual após a lavagem do queimador ou enchimento/vazamento da tigela. Deixar funcionar e o defeito desaparecerá.• Ver o serviço de pós-venda
Chama muito grande na superfície do queimador	<ul style="list-style-type: none">• O tubo venturi está obstruído (ex: teias de aranhas)• Ver o serviço de pós-venda
Chama no injector	<ul style="list-style-type: none">• A garrafa está quase vazia• Trocar a garrafa e o defeito desaparecerá• Ver o serviço de pós-venda
Fuga com chama na união	<ul style="list-style-type: none">• Fechar imediatamente a entrada do gás• União não estanque : reapertar as porcas ou mudar o tubo• Ver o serviço de pós-venda
Calor insuficiente	<ul style="list-style-type: none">• Injector ou tubo de venturi entupidos. Limpe o tubo venturi.• Ver o serviço de pós-venda
Fuga com chama atrás do botão de regulação	<ul style="list-style-type: none">• Torneira defeituosa• Apagar o aparelho• Consultar o serviço de pós-venda

BETJENINGSVEJLEDNING

BEMÆRK: Medmindre andet er angivet henviser følgende generiske termer "apparat / enhed / produkt / udstyr / anordning" i denne betjeningsvejledning til produktet "360 Grill CV".

Hastighed: 160 g/t (2.2 kW)-dysse n° 79

Kategori: butan direkte tryk

Tak, fordi du valgte et Campinggaz®-produkt.

A - VIGTIGT: VÆR ALTID FORSIGTIG VED BRUG AF GAS !

- Denne betjeningsvejledning skal hjælpe Dem til at benytte Campinggaz® 360 Grill CV apparatet rigtigt og i fuld sikkerhed.
- Læs derfor betjeningsvejledningen omhyggeligt, så De bliver bekendt med apparatet, inden det tilsluttes gaspatronen.
- Overhold instruktionerne i betjeningsvejledningen samt sikkerhedsreglerne, som står anført på Campinggaz® CV 470 PLUS gaspatronerne. Hvis disse instruktioner ikke overholdes, kan det være farligt for brugeren og de omgivende personer.
- Denne betjeningsvejledning bør hele tiden opbevares på et sikkert sted, så den altid er tilgængelig, hvis der bliver brug for at søge oplysninger.
- Apparatet må kun bruges med Campinggaz® CV 470 PLUS gaspatroner. Det kan være farligt at bruge andre gasbeholdere.
- Société Application Des Gaz accepterer ikke noget ansvar, hvis der er anvendt patroner af et andet mærke.
- Denne grill må kun bruges udendørs, og skal holdes væk fra brændbare materialer.
- Benyt ikke et apparat, der er utæt, fungerer dårligt eller er beskadiget. De bedes indlevere det til forhandleren, som kan oplyse Dem om, hvor den nærmeste serviceforretning ligger.
- Der bør aldrig foretages ændringer af apparatet, og det må ikke benyttes til formål, det ikke er beregnet til. Enhver modificering af apparatet kan være farlig.
- Apparatet må ikke anvendes i campingvogn, køretøj, telt, læskur, hytte eller i små lukkede rum.
- Apparatet må ikke efterlades tændt uden opsyn, eller hvis man sover.
- Alle apparater, der drives af gas, bruger ilt og udleder andre potentielt farlige stoffer og gasser, såsom kullite (CO).
- Kullite er farveløs og lugtfri og kan forårsage ildebefindende og influenzalignende symptomer, men kan også være livsfarlig, hvis apparatet bruges indendørs eller på steder uden tilstrækkelig ventilation.

B - DIT APPARAT

Pak det ud og oplev dit apparat (Fig. 1A & 1B)

- | | |
|-------------------|------------------|
| (1) Plastlåg | (7) Regulator |
| (2) Stegeplade | (8) Patronholder |
| (3) Varmediffuser | (9) Kontrolknap |
| (4) Rist | (10) Låseknop |
| (5) Vandtank | (16) Bærepose |
| (6) Fodstykke | |

C- SÅDAN ANBRINGES EN NY CAMPINGGAZ® CV 470 PLUS GASPATRON

(Hvis den nuværende patron er tom, henvises der til afsnit G, "Fjernelse af patronen").

Når en gaspatron sættes i eller tages af, skal det altid foregå på et godt ventileret sted, helst udendørs, og aldrig i nærheden af en flamme, en varmekilde eller gnister (cigaret, elektrisk apparat osv.), langt væk fra andre personer og brandfarlige materialer.

DA CAMPINGGAZ® CV 470 PLUS GASPATRONERNE ER UDSYRET MED VENTIL, KAN DE TAGES AF APPARATET, SÅ DE ER NEMMERE AT TRANSPORTERE, OGSÅ SELV OM DE IKKE ER TOMME, OG KAN SÆTTES PÅ ANDRE CAMPINGGAZ® APPARATER I SERIEN CV 470 PLUS, SOM UDELUKKENDE KAN FUNGERE MED DISSE GASPATRONER.

1. Drej betjeningsknappen med uret til den slukkede stilling (O), til den stopper. (Fig. 7A)
2. Skru forsigtigt gaspatronen i ved at dreje den med uret, til du hører et klik (ca. en sjettedels omdrejning). Tving ikke patronen til at dreje mere, da du risikerer at beskadige patronventilen. (Fig. 7B)

I tilfælde af lækage (der kan lugtes gas, inden der tændes for hanen) skal apparatet omgående bringes udenfor, i et område med god ventilation og uden forbrændingskilder, hvor lækagen kan findes og stoppes. Hvis du ønsker at kontrollere dit apparat for lækage, skal det gøres udenfor. Forsøg ikke at finde lækage med en flamme, brug sæbevand.

D - TJEK FOR GASLÆKAGER

1. Holdes væk fra brændbare materialer og ryg ikke i nærheden af apparatet.
2. Sørg for, at betjeningsknappen er i "OFF"-position (O).
3. Sæt regulatoren på gasflasken (se afsnit C).
4. Brug aldrig en flamme til at tjekke for gaslækager. Brug en gaslækage væske.
5. Påfør væsken på forbindelserne mellem patron/regulator / slange / apparat (Fig. 14).
6. Åbn regulatorventilen (7) (Fig. 1B) ved at dreje mod uret fra - til + (Betjeningsknappen skal forblive i positionen "OFF" (O)). Hvis der forekommer bobler i gaslækagevæsken, er det tegn på, at der er en gaslækage.
7. Luk regulatorventilen.
8. Grillen må ikke bruges før alle lækager er fjernet.
9. Frakobl regulatoren fra patronen og kontakt den lokale eftersalgsservice for assistance.

Vigtigt: Kontrollér for lækager mindst en gang om året, og hver gang gasflasken udskiftes.

DK

E - KLARGØRING TIL BRUG

360 Grill :

A - Plastlåg:

Plastlåget er fastgjort til ildkassens top ved hjælp af clips (Fig. 2). Det holder alle de indvendige dele på plads under transporten. Fjern det før brug.

B - Vandtankens anvendelse:

Anbring apparatet på en plan flade. Fyld tanken med vand til MAX-mærket. (Fig. 3A) Undgå at spilde vand på brænderen.

Efter madlavningen kan du koble vandtanken fra for at kassere blandingen af vand og fedt og rengøre den. Du kan bruge en svamp og et ikke-skurende rengøringsmiddel eller komme tanken i opvaskemaskinen.

Kobl vandtanken fra ved at trække i lock-knappen (10). Hold knappen trukket til dens stopindstilling, og fjern så tanken ved at bevæge den opad. (Fig. 3B)

Efter rengøringen sæt tanken tilbage på fodstykket:

- 1- Træk i lock-knappen (10) (Fig. 3C)
- 2- Juster flammvinduet (11) med kontrolknappen (9). Hakkene (12) i tankens bund skal justeres med låseakslen (13) (Fig. 3D)
- 3- Anbring tanken på dens fodstykke
- 4- Slip knappen, og tanken er låst (Fig. 3E)

Fyld tanken med vand til MAX-indstillingen hvis du vil bruge den igen. (Fig. 3A)

C - Risten:

Sæt risten på plads. Sørg for at de 3 faner midt i ildkassen falder på plads i de 3 hak i ristens bund. Ristens rotation er blokeret. Dit apparat er klar til at blive brugt som et komfur. (Fig. 4)

D - Varmediffuser:

Anbring varmediffuseren på øverst på ristens arme og lad hakkene i de 3 riste falde på plads. (Fig. 5)

E - Stegeplade:

Anbring stegepladen på dens 3 riste øverst på ildkassen og vend den overflade øverst, som du ønsker at bruge. (Fig. 6A og 6B)

Patronholder:

Dit apparat er forsynet med en patronholder. Denne holder gør det muligt for dig at fastgøre patronen på kanten af bordet. På denne måde er patronen langt fra varmekilden, og bortpladen er ikke optaget af patronen.

- Anbring dit apparat midt i holderen og rul slangen ud til bordkanten.

- Fastgør patronholderen til bordkanten. Indstillingskruens længde tillader en tilpasning til de fleste borde. (Fig. 8)

Skrue indstillingskruen (14) ud, så afstanden imellem de 2 gummipuder er lig med tykkelsen på dit bords ramme (fig. 9A), træk holderen på kanten af dit bord og spænd så skruen for at sikre fastgørelsen til bordet. (Fig. 9B)

- Lad skubberen (15) glide hen imod toppen og isæt regulatoren i kabinettet, der er designet til dette formål. (Fig. 10A og 10B)

- Lad skubberen gå ned, så regulatoren holdes på plads ved hjælp af fjederen. (Fig. 10C)

- Kontroller, at slangen er rullet frit ud, uden at være snoet eller strakt og uden kontakt med apparatets varme overflader. (Fig. 11) Undlad at trække i eller vride slangen.

SIKKERHEDSFORANSTALTNINGER

Anvend aldrig apparatet inden for en afstand på 20 cm fra en væg eller antændelig genstand.

Sæt apparatet på en stabil, vandret flade, og flyt den ikke under brug for at undgå, at der opstår store flammer som følge af afbrænding af flydende butan i stedet for fordampet butan. Hvis det sker, skal der slukkes for betjeningsknappen, og apparatet skal anbringes igen.

Brug ikke gryder det er mindre end 12 cm eller større end 26 cm i diameter.

Før du tænder for apparatet i Grill- eller Pancha-indstillingen, skal du sørge for at fylde reservoiret med vand til "MAXI"-niveauet.

Beskyt dit apparat mod vind, da det forøger dets præstation.

Lad aldrig kogepladen være tændt uden madvarer i mere end et minut (bortset fra den indledende forvarmingsperiode), ellers vil den specielle belægning blive beskadiget.

Brug altid køkkenredskaber af silikone eller træ for at undgå ridser i non-stick-belægningen.

Vent med at klargøre anordningen til opbevaring, til den er kølet helt af.

Forsigtig: Nogle dele kan blive meget varme. Hold små børn væk fra apparatet.

Det anbefales at bruge beskyttelseshandsker ved håndteringen af komponenter, der kan være meget varme.

Brug aldrig apparatet, før du omhyggeligt har læst og forstået instruktionerne. Sørg desuden for, at:

- der ikke er nogen lækager.
- slanger er fri for blokering (af spindelvæv og lignende).
- slangen ikke rører ved komponenter, der kan blive varme.

Vigtigt: kontroller igennem vinduet på ildkassen over kontrolknappen (11) (Fig. 1A), at der brænder en flamme. I tilfælde af at brænderen slukkes, mens du griller, luk straks for gasventilen og vent i 5 minutter for at lade gassen fordampe. Tænd for apparatet igen efter denne ventetid.

F - BRUG

TÆND BLUSSET

Piezo-antænding (Fig. 12)

1. Tænd for gastilførslen ved at dreje ventilen på regulatoren mod "+". (Fig. 12A)
2. Drej betjeningsknappen med uret (mod "☞☆"), så den er helt åben. Vent i 3 sekunder, indtil kredsløbet er fyldt, og tryk så knappen helt ned, til du hører et klik.
3. Tryk igen 3 eller 4 gange efter behov, til blusset er tændt (kontrollerer flammen gennem glasset (11) foran på beholderen).
4. Hvis blusset ikke tændes, skal betjeningsknappen drejes med uret til den slukkede stilling (O), til den stopper. Vent 5 minutter, inden der forsøges at tænde igen.
5. Hvis blusset ikke tændes efter 2. forsøg, kan du **A.** fortsætte til Antænding med tændstik i nedenstående afsnit eller **B.** Læs afsnittet I om fejlfinding.

Antænding med tændstik (Fig. 13):

1. Tænd for gastilførslen ved at dreje ventilen på regulatoren mod "+". (Fig. 13A)
2. Fjern om nødvendigt stegepladen og hold en tændt tændstik nær brænderen.
3. Drej kontrolknappen til lav gastilførsel ☞.
4. Kontroller igennem vinduet (11), at der er en flamme tilstede.
5. Sæt stegepladen tilbage på plads.
6. Skru op for gassen ved at dreje knappen mod uret ☞☆.

STEGNING

A - Brug apparatet som en grill

1. Sørg for, at reservoiret er fyldt med vand til "MAXI"-niveaue, og at risten og varmediffuseren er installeret som beskrevet i afsnit E.
2. Forvarm kogepladen i ca. 10 minutter ved maksimal styrke for at nå den perfekte temperatur til madlavning. Anbring dine ingredienser på pladen og juster temperaturen efter eget ønske med kontrolknappen.
3. Efter 1 times madlavning kontrollerer mængden af vand i tanken. Om nødvendigt tilføj vand til MAX-niveaue.

Kogepladen har en non-stick beklædning af høj kvalitet, der gør det muligt at stege uden tilsætning af fedtstof.

Da fedtstofferne opsamlles i vandkarret, er stegningen fuldt ud sund (ingen restfedtstoffer eller forbrændte fedtstoffer), og madvarerne bevarer smagen og bliver ikke tørre.

En blålig misfarvning af madlavningspladen skyldes den kraftige varmeudvikling. Dette påvirker ikke kvaliteten af det anvendte materiale.

B - Brug apparatet som et komfur

VIGTIGT: Madlavningspladen skal fjernes, når apparatet bruges som et komfur. Anbring aldrig madbeholdere på kogepladen eller varmediffuseren.

Anbring en gryde, stegepande, gryde ... på risten, centreret over blusset. Sørg for, at flammen ikke når højere end grydens underside.

Brug ikke gryder det er mindre end 12 cm eller større end 26 cm i diameter.

SLUKNING

Drej betjeningsknappen med uret til den slukkede stilling (O), til den stopper.

G - FJERNELSE AF PATRONEN

Flasken kan tages af, også selvom den ikke er tom.

1. Drej betjeningsknappen med uret til den slukkede stilling (O), til den stopper.
2. Vent på, at apparatet køler af.
3. Mens du holder regulatoren, skrues gaspatronen ud ved at dreje den mod uret, til du hører et klik (ca. en sjettedels omdrejning), og så fjernes den.
4. Smid aldrig en flaske ud, før den er tom, (ryst flasken for at kontrollere, om der er mere gas tilbage).

H - VEDLIGEHOLDELSE OG OPBEVARING

Hvis De passer godt på apparatet, vil De kunne bruge det i mange år.

- Rengør ikke apparatet, når det er i brug. Vent, indtil det er afkølet for således at forebygge brandsår forårsaget af varme dele (stegeplade, grillrist, opsamlingsbakke, beholder osv.).
- Og når enheden er kold (ca. 15 min.), fjern kogepladen, varmediffuseren og risten. Frigør tanken fra fodstykket ved at følge afsnit E. Tøm den for vand.
- Rens fedtede dele med vand og sæbe eller et rengøringsmiddel uden slibemiddel.
- For at gøre rengøringen nemmere kan låget, kogepladen og risten vaskes op i en opvaskemaskine.
- Pas ved rengøring på ikke at blokere hullerne i brænderne. Hvis de er tilstoppede, f.eks. af mad, der er løbet over, skal hullerne renses med en ikke-metallisk børste.
- Efter rengøring skal du samle de aftagelige dele af apparatet, sætte låget tilbage på og lukke det ved at trykke på de 3 clips. (Fig. 2)
- Apparatet bør opbevares på et køligt og tørt sted med ventilation og uden for børns rækkevidde - og aldrig i en kælder.
- Hvis apparatet ikke skal anvendes i en længere periode, skal gasflasken tages af som angivet i afsnit G.
- Hvis apparatet ikke er blevet brugt i mere end 30 dage, skal det kontrolleres, at åbningerne i brænderens rør ikke er stoppet af spindelvæv, hvilket kan føre til en mindsket effektivitet for apparatet eller farlig antændelse af gas uden for brænderen.
- Opbevar dit apparat i posen (16). Denne pose gør det muligt for dig nemt at bære dit apparat og at opbevare det, så det ikke bliver støvet.

DK

I - PROBLEMER / LØSNINGER

I tilfælde af at flammen brænder forkert (tænding under brænderhætten) slå produktet fra, lad det køle ned (i ca. fem minutter), og tænd så for det igen. Hvis problemet med en forkert brændende flamme fortsætter, kontakt din lokale Campinggaz[®]-forhandler.

Problemer	Mulige årsage / løsninger
Brænderen vil ikke tænde	<ul style="list-style-type: none">• Dårlig tilstrømning af gas• Beholderen virker ikke• Slangen, hanen, venturidysen eller brænderens åbninger er tilstoppet. Rengør venturien.
Brænderen sprutter eller slukker	<ul style="list-style-type: none">• Se efter, om der er gas i flasken• Kontrollér slangens tilslutning• Kontakt kundeservice
Flammen brænder ustabil	<ul style="list-style-type: none">• En ny flaske kan indeholde luft. Tag apparatet i brug, og problemet vil forsvinde.• Overskydende vand, efter brænderen er vasket eller skålen er fyldt/tømt. Tag apparatet i brug, og problemet vil forsvinde.• Kontakt kundeservice
Mange flammer står ud fra brænderens overflade	<ul style="list-style-type: none">• Venturidysen er blokeret (f.eks. af spindelvæv)• Kontakt kundeservice
Flamme ved brændstoffdysen	<ul style="list-style-type: none">• Gasflasken er næsten tom• Skift flasken og problemet vil forsvinde• Kontakt kundeservice
Brændende gasudslip ved tilslutningen	<ul style="list-style-type: none">• Luk omgående for gassen• Sammenføjningen er ikke vandtæt: Stram møtrikkerne eller skift slangen• Kontakt kundeservice
Utilstrækkelig varme	<ul style="list-style-type: none">• Brændstoffdysen eller venturidysen er tilstoppet. Rengør venturien.• Kontakt kundeservice
Brændende gasudslip ved reguleringsknappen	<ul style="list-style-type: none">• Hanen er defekt• Luk for apparatet• Kontakt kundeservice

DK

BRUKSANVISNING

MERK: Med mindre noe annet er spesifisert, viser følgende generelle termer «apparat / enhet / produkt / utstyr / anordning» i denne bruksanvisningen til produktet «360 Grill CV».

Effekt: 160 g/t (2.2 kW)-injektor n° 79

Kategori: direkte butan trykk

Takk for at du valgte et Campingaz®-produkt.

A - VIKTIG: VÆR ALLTID FORSIKTIG NÅR DU BRUKER GASS!

- Denne bruksanvisningen er utarbeidet for at du skal kunne bruke apparatet Campingaz® 360 Grill CV på en riktig og trygg måte.
- Les bruksanvisningen nøye for å bli kjent med apparatet før du koplek det til gassbeholderen.
- Du må overholde instruksjonene i denne bruksanvisningen samt sikkerhetsforanstaltningene som er angitt på Campingaz® CV 470 Plus-beholderne. Hvis du ikke gjør dette, kan det innebære fare for deg som bruker og omgivelsene dine.
- Oppbevar denne bruksanvisningen på et egnet sted for å kunne ta den frem ved behov.
- Dette apparatet skal kun brukes med Campingaz® CV 470 Plus-beholdere. Det kan være farlig å bruke det sammen med andre gassbeholdere.
- Selskapet "Société Application Des Gaz" frasier seg ethvert ansvar ved bruk av beholdere fra andre produsenter.
- Denne grillen bør kun brukes utendørs, og vekk fra brennbare materialer.
- Du må ikke bruke et apparat som lekket, som ikke fungerer riktig eller som er ødelagt. Ta det med til forhandleren som vil henvise deg til nærmeste servicesenter.
- Apparatet må ikke endres, eller brukes til noe annet enn det det er beregnet på. All modifikasjon av apparatet kan være farlig.
- Apparatet må ikke brukes i campingvogn, kjøretøy, telt, skjul, hytte eller på små, lukkede plasser.
- Det må ikke brukes uten oppsyn, for eksempel når du sover.
- Alle apparater som bruker gass forbruger oksygen og avgir andre potensielt farlige substanser og gasser som f.eks. karbonmonoksid (CO).
- Karbonmonoksid er en luktfri og fargeløs gass. Gassen kan provosere frem symptomer som ligner influensa. Den kan medføre døden hvis apparatet blir brukt innvendig uten fullgod ventilasjon.

B - OPPDAG ENHETEN DIN

Skru av og oppdag enheten (Fig. 1A og 1B)

- | | |
|-------------------------|---------------------|
| (1) Plast dekkelet | (7) Regulator |
| (2) Grill til matlaging | (8) Støtte patronen |
| (3) Varme Dispenser | (9) Kontrollhåndtak |
| (4) Stekepanne -støtte | (10) Lås-knappen |
| (5) Vanntank | (16) Graviditet bag |
| (6) Regel | |

C - SETTE I EN CAMPINGAZ® CV 470 PLUS-BEHOLDER

(Hvis det allerede er en tom beholder i apparatet, kan du gå videre til avsnitt G: "Fjerne beholderen").

Når du skal sette i eller fjerne en beholder, må du alltid gjøre dette i et område med lufttilførsel, helst utendørs, og aldri i nærheten av en flamme, en varmeeller gnistkilde (sigarett, elektriske apparater, osv.) og langt fra andre personer eller antenkelige materialer.

ETTERSOM CAMPINGAZ® CV 470 PLUS-BEHOLDEREN ER UTSTYRT MED EN VENTIL, KAN DEN DEMONTERES FRA SELVE APPARATET SELV OM DEN IKKE ER TOM. DERMED BLIR DET ENKLERE Å TRANSPORTERE DEN, SAMTIDIG SOM DEN KAN BRUKES PÅ ANDRE CAMPINGAZ® APPARATER I SERIEN 470 SOM ER UTARBEIDET FOR KUN Å FUNGERE MED DISSE BEHOLDERNE.

1. Vri kontrollknappen med klokken til av-posisjon (O) til den stopper. (Fig. 7A)
2. Skru inn gasspatronen forsiktig ved å vri den med klokken til du hører et klikk (ca. en sjettedels gang). Ikke tving patronen lenger enn dette, da kan patronens ventil bli skadet. (Fig. 7B)

Hvis det skulle oppstå en lekkasje (gasslukt før kranen slås på) må du ta med apparatet utendørs umiddelbart, til et godt ventilerert område uten forbrenningskilde der lekkasjen kan lokaliseres eller stanses. Hvis du ønsker å se etter lekkasjer på apparatet ditt, må det gjøres utendørs. Ikke prøv å finne lekkasjer ved bruk av en flamme, bruk såpevann.

D - SJEKK FOR GASSLEKKASJER

1. Holdes unna brennbare materialer, det må ikke røykes i nærheten av apparatet.
2. Sikre at kontrollbryteren er i "OFF" posisjon (O).
3. Fest regulatoren på gasspatronen (se del C).
4. Bruk aldri en flamme til å påvise en gasslekkasje. Bruk en gasslekkasjeløsning.
5. Påfør løsningen til koblingene mellom patron/regulator/slange/apparat (Fig. 14).
6. Åpen regulatorventilen (7) (Fig. 1B) ved å dreie mot urviseren fra - til + (kontrollknappen bør forblir i posisjon "OFF" (O)). Bobler i gasslekkasjeløsningen indikerer om det er en gasslekkasje.
7. Lukk ventilen på regulatoren.
8. Grillen må ikke brukes før alle lekkasjer har blitt eliminert
9. Koble regulatoren fra patronen, og kontakt lokal ettersalg-service for assistanse.

Viktig: Sjekk for lekkasjer minst en gang i året, og hver gang gasspatronen byttes ut.

E - KLARGJØRING FØR BRUK

360 Grill :

A - Plast deksleet:

Plast deksleet monteres øverst i ovnen takket være klemmer (Fig. 2). Holder alt interiør på plass under transport. Fjern før bruk.

B - Bruk av vanntanken:

Plasser enheten på flatt underlag. Fyll tanken med vann til MAX-taggen. (Fig. 3A) Pass på at du ikke heller vann på ovnen.

Etter matlaging kan du skille vanntanken for å kaste vann blandingen og oljene for å rengjøre den. Du kan bruke en svamp impregnert med et ikke-slipende vaskemiddel produkt eller sette tanken i oppvaskmaskinen.

Trekk ut vanntanken ved å trekke i låse knappen (10). Fortsett å trekke i knappen til du stopper, fjern tanken ved å flytte den opp. (Fig. 3B)

Etter rengjøring, returner tanken til basen:

- 1- Dra låse knappen (10) (Fig. 3C)
- 2- Justere flamme visningsvinduet (11) etter kontroll håndtaket (9). Sprekker (12) må justeres til bunnen av tanken med låseaksen (13) (Fig. 3D)
- 3- Plasser tanken på en støtte
- 4- Frigjør knappen, tanken er lukket (Fig. 3E)

Fyll tanken med vann til MAX-innstillingen hvis du vil bruke den igjen. (Fig. 3A)

C - Stekepanne -støtte:

Sett Stekepanne-støtten på plass. Pass på å sette inn 3 sprekker fra basen i de 3 panelene i midten av forbrenningsboksen. Støtterotasjon er blokkert. Enheten er klar til bruk som komfy. (Fig. 4)

D - Varme Dispenser:

Plasser varme dispensereren på toppen av pannens stentarmer, og juster sprekkene på de 3 støttene med hver støtte arm. (Fig. 5)

E - Grill til matlaging:

Plasser Grill til matlaging på 3 støtter på toppen av brannboksen, og vær oppmerksom på å sette overflaten du ønsker på toppen. (Fig. 6A og 6B)

Støtte patronen:

Enheden er utstyrt med en Støtte patronen. Med denne støtten kan du installere patronen på kanten av bordet. Patronen er derfor langt fra varmekilden og bord overflaten er fri for den.

- Plasser enheten i midten og åpne slangen til kanten av bordet.

- Fest patron støtten til kanten av bordet. Lengden på installasjons spiken lar deg tilpasse deg de fleste bord. (Fig. 8)

Skrut ut monterings skruen (14) slik at avstanden mellom 2 gummi putene passer til tykkelsen på bord rammen (Fig. 9A), Klipp stenten på kanten av bordet og stram skruen for å sikre sikker montering på bordet. (Fig. 9B)

- Få impulsen (15) til å gli oppover og gå inn i arrangøren i det spesialdesignede huset. (Fig. 10A og 10B)

- La impulsen komme ned, slik at arrangøren holdes på plass takket være våren. (Fig. 10C)

- Sørg for å åpne slangen fritt, uten vridning eller draing, og ikke rør de varme overflatene på enheten. (Fig. 11) Trekk eller vri aldri slangen.

SIKKERHETSREGLER

Apparatet må være minst 20 cm fra skillevegger eller andre brennbare gjenstander.

Plasser apparatet på en stabil, horisontal overflate og ikke beveg den når den er i bruk, for å unngå store flammer fra forbrenningen av flytende butan heller en fordampet butan. Hvis dette skulle skje må du slå av kontrollknappen og flytte apparatet.

Ikke bruk kokekar mindre enn 12 cm eller større enn 26 i diameter.

Før du tenner enheten i grill- eller blancha-innstillingen, må du kontrollere at tanken er fylt med vann til nivået på 'MAX!'.

Beskytt enheten mot vind, den vil fungere mer.

La aldri stekeplaten være på åpen ilden uten mat på i lengre enn et minutt (unntatt den innledende forvarmingsperioden), ellers vil det spesielle belegget skades.

For å unngå å skade non-stick-belegget må det alltid brukes redskaper i silikon eller tre for å manipulere rettene dine.

Vent til enheten er helt avkjølt før du klargjør det for lagring.

Forsiktig: enkelte deler kan være svært varme. Hold små barn unna apparatet.

Vernehansker anbefales brukt ved håndtering av komponenter som kan være svært varme.

Bruk aldri apparatet før instruksjonene har blitt nøye lest og forstått. I tillegg må det sikres at:


- det ikke er lekkasjer.
- at brennerørret ikke er blokkert (av spindellev o.l.).
- slangen ikke berører noen komponenter som kan bli varme.

Viktig: sjekk at det er flamme gjennom vinduet plassert på fyrkassen over kontrollbryteren (11) (Fig. 1A). Hvis brenneren slukkes under grilling, må gassventilen lukkes umiddelbart, og det må ventes 5 minutter for å la gassen fordampe. Tenn apparatet igjen etter denne ventetiden.

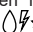
F - BRUK

TENNE BRENNEREN

Piezo-antennning (Fig. 12)

1. Åpne gass tilførsels kilden for å rulle ventilen på regulatoren mot "+". (Fig. 12A)
2. Vri kontrollknappen med klokken (mot "  ") slik at den er helt åpen. Vent i 3 sekunder til sirkelen er full, og skyv deretter håndtaket helt til du hører en knitrende lyd.
3. Gjenta skyvingen 3 eller 4 ganger om nødvendig til brenneren er tent (kontrollerer flammen gjennom vinduet (11) foran på tanken).
4. Hvis brenneren ikke tennes, vrir du kontrollknappen til av-posisjon (O) til den stopper. Vent 5 minutter før du gjentar operasjonen.
5. Hvis brenneren ikke tennes etter andre forsøk, kan du **A.** gå videre til fyrstikktenning i avsnittet under, eller **B.** Les avsnittet i feilsøking.

Fyrstikk-antennning (Fig. 13):

1. Åpne gass tilførsels kilden for å rulle ventilen på regulatoren mot "+". (Fig. 13A)
2. Fjern om nødvendig Grill til matlaging, plasser en fyrstikke pinne i nærheten av ovnen.
3. Vri kontrollhåndtaket til innstillingen for lavt strømforbruk (towards 0).
4. Se etter flammer gjennom vinduet (11).
5. Sett Grill til matlaging på plass.
6. Øk strømmen for å vikle håndtaket mot klokken til innstillingen .

STEKING

A - Slik bruker du apparatet som grill

1. Pass på at du fyller tanken med vann opp til MAXI-nivå og installerer Stekepanne -støtte og Varme Dispenser som vist i avsnitt E.
2. Forvarm kokeplaten i ca. 10 minutter til maksimal energi for å oppnå den perfekte koketemperaturen. Plasser ingrediensene på tallerkenen og juster temperaturen med kontrollhåndtaket etter din smak.
3. Etter 1 time med matlaging, kontroller mengden vann i tanken. Tilsett vann til maksimalt nivå om nødvendig.

Stekeplaten har et belegg av meget høy kvalitet, som forhindrer at maten fester seg og tillater sunn steking uten bruk av fett.

Fordi fettet fanges opp i vannfatet, er dette en meget sunn måte å steke på (intet overflødig eller brent fett), og maten er alltid like smakfull og saftig.

En blålig misfarging av kokeplaten skyldes sterkt varmeutvikling. Dette påvirker ikke kvaliteten på det brukte materialet.

B - Slik bruker du apparatet som ovn

VIKTIG: Kokeplaten må tas vekk når du bruker apparatet som ovn. Plasser aldri koke skåler på en kokeplate eller varme dispenser.

Plasser kokeutstyret (stekepanne, panne ...) på fyrlisten, sentrert over brenneren. Sørg for at flammen ikke overstiger undersiden av kokeutstyret.

Ikke bruk kokekar mindre enn 12 cm eller større enn 26 i diameter.

AVSTENGING

Vri kontrollknappen med klokken til av-posisjon (O) til den stopper.

G - DEMONTERE GASSBEHOLDEREN

Gassbeholderen kan demonteres selv om den ikke er tom.

1. Vri kontrollknappen med klokken til av-posisjon (O) til den stopper.
2. Vent til at apparatet har kjølt seg ned.
3. Arrangøren holdt, skru opp gasspatronen ved å snu den mot klokken til du hører et klikk (ca. en sjettedels gang), fjern den deretter.
4. Kast aldri en gassbeholder som ikke er tom (ryst den for å sjekke at den er tom og ikke klunker).

H - VEDLIKEHOLD OG LAGRING

Hvis du behandler apparatet ditt riktig, vil du ha glede av det i mange år.

- Ikke rengjør apparatet mens det er i bruk. Vent til det er avkjølt for å unngå brannskade forårsaket av varme deler (stekeplate, rist, reservoar etc.).
- Når enheten er avkjølt (ca. 15 minutter), fjerner du kokeplaten, varme dispenseren og panne støtten. Åpne tanken fra neste regel, seksjon E. Tøm ut vannet.
- Rengjør de fettete partiene med vann og såpe eller et ikke-slipende rengjøringsprodukt.
- For å forenkle rengjøringen kan lokket, kokebrettet, tanken og bolleproppene vaskes i oppvaskmaskinen.
- Under rengjøring skal du påse at du ikke blokkerer brennerhullene. Hvis de er tettet igjen av for eksempel matrester, skal du åpne hullene med en ikkemetallisk børste.
- Etter rengjøring monteres de avtagbare delene av apparatet tilbake, lokket settes på plass og lukkes, press på de 3 klipsene. (Fig. 2)
- Apparatet bør oppbevares på et temperert, tørt og luftig sted, utilgjengelig for barn, og aldri i en kjeller eller bod.
- Hvis apparatet ikke skal brukes i en lengre periode, må sylindere kobles fra som forklart i avsnitt G.
- Hvis apparatet ikke har vært brukt på mer enn 30 dager, skal du kontrollere at spindelvev ikke tetter åpningene på brennerslangen, noe som kan gi et mindre effektivt apparat eller en farlig antennelse av gass utenfor brenneren.
- Oppbevar enheten i posen (16). Denne vesken lar deg enkelt bære enheten eller lagre den borte fra stov.

NO

I - UREGELMESSIGHETER / RÅD

Om det oppstår oppblussing (tenning under brennerhetten), skru av produktet, la det kjøle ned (omtrent fem minutter) og tenn så apparatet på nytt. Om problemet med oppblussing vedvarer, ta kontakt med din lokale Campingaz®-representant.

Uregelmessigheter	Mulige årsaker / råd
Brenneren tennes ikke	<ul style="list-style-type: none">• Svekket gasstilførsel• Trykkforminskeren virker ikke• Slange, hane, lufthylster eller brenneråpning er tett. Rengjør venturirøret.
Brenneren tennes, men slukker deretter	<ul style="list-style-type: none">• Forsikre om at der er gass• Forsikre om slangens utstrekning• Se vedlikeholdsservice
Flammene er ustabile	<ul style="list-style-type: none">• En ny gasstank kan inneholde luft. Ta den i bruk og feilen vil forsvinne.• Gjenværende vann etter vask av komfyren eller påfylling/tømming av bollen. Ta den i bruk og feilen vil forsvinne.• Se vedlikeholdsservice
Det oppstår flammer på overflaten av brenneren	<ul style="list-style-type: none">• Lufthylsteret er tett (for eksempel ved edderkoppnett)• Se vedlikeholdsservice
Det oppstår flammer ved injektoren	<ul style="list-style-type: none">• Beholderen er nesten tom• Bytt beholder og feilen vil forsvinne• Se vedlikeholdsservice
Det oppstår flammer ved skjøtene	<ul style="list-style-type: none">• Lukk umiddelbart gasstilførselen• Skjøten er ikke vanntett: skru til mutterne eller bytt slange• Se vedlikeholdsservice
Ikke tilstrekkelig varme	<ul style="list-style-type: none">• Injektoren eller lufthylsteret er tette. Rengjør venturirøret.• Se vedlikeholdsservice
Flammer oppstår bak reguleringsbryteren	<ul style="list-style-type: none">• Hanen er defekt• Slukk apparatet• Se vedlikeholdsservice

NO

BRUKSANVISNING

OBS: Om inte annat anges avses produkten "360 Grill CV" med samtliga följande allmänna begrepp "apparat/enhet/produkt/utrustning/anordning" i denna instruktionsmanual.

Förbrukning: 160 g/h (2.2 kW)-munstycke n° 79

Kategori: : butanol direkttryck

Tack för att du har valt en produkt från Campinggaz®.

A - VIKTIGT! VAR ALLTID FÖRSIKTIG NÄR DU ANVÄNDER GAS!

- Bruksanvisningen beskriver hur du rätt och säkert kan använda Campinggaz® 360 Grill CV.
- Läs igenom noga så att du bekantar dig med grillen innan du monterar gaspatronen.
- Respektera instruktionerna som finns i bruksanvisningen liksom säkerhetsföreskrifterna på gaspatronerna Campinggaz® CV 470 Plus. Du och din omgivning riskerar allvarliga skador om inte dessa regler efterföljs.
- Spara noga bruksanvisningen på ett säkert ställe för eventuell framtida användning.
- Apparaten skall endast användas med Campinggaz® CV 470 Plus. Eventuella försök att använda gaspatroner av annan tillverkning kan medföra stora risker.
- (Företaget för Gasanvändning) avser sig allt ansvar vid användning av en gaspatron av annan fabrikat.
- Denna grill bör endast användas utomhus och med avstånd ifrån lättantändliga material.
- Använd inte en apparat som läcker, som fungerar dåligt eller som visar defekter. Ta tillbaks den till återförsäljaren som kan ge er adressen till närmaste Servicebutik.
- Grillen får inte ändras eller användas i annat syfte än avsett. Alla ändringar av grillen kan vara farliga.
- Denna apparat bör inte användas i husvagn, fordon, tält, uteplatser, förråd och övriga slutna utrymmen.
- Bör inte användas när man sover eller lämnas oövervakad.
- Alla apparater som körs på gas förbränner syre och avger andra potentiellt farliga ämnen och gaser, som koloxid (CO).
- Kolmonoxid, som är lukt- och färglös, kan orsaka obehag och illamående som påminner om influensa, samt kan rent av leda till döden om apparaten används inomhus utan tillräcklig ventilation.

B - DIN APPARAT

Packa upp din apparat (Fig. 1A och 1B)

- | | |
|--------------------------|------------------|
| (1) Plastlock | (7) Regulator |
| (2) Grillhäll | (8) Patronstöd |
| (3) Värmefördelningsplåt | (9) Kontrollvred |
| (4) Kastrullstöd | (10) Låsknapp |
| (5) Vattenbehållare | (16) Bärvaska |
| (6) Bas | |

C - MONTERING AV GASPATRONEN TILL CAMPINGGAZ® CV 470 PLUS

(Om den befintliga patronen är tom, läs avsnitt G, "DEMONTERING AV GASPATRON").

Montera eller byt alltid gaspatron i en välventilerad lokal, helst utomhus och på säkert avstånd från eventuella gnistkällor (öppna lågor, brinnande cigaretter, elapparater etc.) andra personer och brännbara material.

GASPATRONERNA CAMPINGGAZ® CV 470 PLUS ÄR UTRUSTADE MED EN VENTIL, DET ÄR ALLTSÅ MÖJLIGT ATT DEMONTERA DEM FRÅN GASOLKÖKET FÖR ATT UNDERLÄTTA TRANSPORT ÄVEN OM DE INTE ÄR TOMMA. DE KAN DÅREFTER I STÄLLET ANVÄNDAS PÅ ANDRA APPARATER I CAMPINGGAZ® SORTIMENTET, PRODUKTER SOM HAR TILLVERKATS FÖR DRIFT UTESLUTANDE MED DESSA GASPATRONER.

1. Vrid kontrollvredet medurs till läget av (O) tills det stannar. (Fig. 7A)
2. Skruva försiktigt in gaspatronen genom att vrida den medurs tills ett klick hörs (cirka en sjättedels varv). Vrid inte patronen mer än så; patronens ventil kan skadas. (Fig. 7B)

Skulle läcka uppstå (gaslukt innan kranen vridits om) ska grillen genast tas ut utomhus där det är välventilerat och inget som kan självantända finns i närheten, så att läckan kan hittas och stoppas. Om du vill se efter om grillen har några läckor ska du göra det utomhus. Försök inte att upptäcka läckor med eldslågor, utan använd såpvatten.

D - KONTROLL AV EV. GASLÄCKOR

1. Håll produkten borta från brandfarliga material, rök inte nära apparaten.
2. Säkerställ att kontrollvredet står i "OFF"-läge (O).
3. Montera regulatorn på gaspatronen (se avsnitt C).
4. Använd aldrig öppen låga för att upptäcka en gasläcka. Använd en gasläckagelösning.
5. Applicera lösningen på anslutningarna mellan patron/regulator/slang/apparat (Fig. 14).
6. Öppna regulatorventilen (7) (Fig. 1B) genom att vrida moturs från - till + (Kontrollvredet bör stanna i "OFF"-läge (O)). Bubblor i gasläckagelösningen tyder på ett gasläckage.
7. Stäng regulatorns ventil.
8. Grillen får inte användas förrän alla läckor har åtgärdats.
9. Koppla bort regulatorn från patronen och kontakta lokal kundservice för hjälp.

Viktigt: Kontrollera ev. läckage minst en gång om året och vid varje utbyte av gaspatronen.

E - FÖRBEREDELSE INFÖR ANVÄNDNING

360 Grill:

A - Plastlock:

Plastlocket fästs på toppen av brännkammaren med hjälp av klämmor. (Fig. 2) Det håller alla delar inuti på plats under transport. Ta bort locket innan användning.

B - Användning av vattenbehållaren:

Placera apparaten på ett plant underlag. Fyll behållaren med vatten upp till MAX-markeringen. (Fig. 3A) Var försiktig så att du inte spiller vatten på brännaren.

Efter grillningen kan du koppla bort vattenbehållaren för att tömma och rengöra den. Du kan använda en svamp impregnerad med ett icke-slipande rengöringsmedel eller lägga behållaren i diskmaskinen.

Koppla bort vattenbehållaren genom att föra ner låsknappen (10). För ner knappen till dess stoppläge och ta bort behållaren genom att dra den uppåt. (Fig. 3B)

Efter rengöring ska behållaren ställas tillbaka på basen:

- 1- Skjut in låsknappen (10). (Fig. 3C)
- 2- Rikta in tittfönstret (11) med hjälp av kontrollvredet (9). Skärorna (12) på behållarens bas ska vara i linje med låsaxeln (13) (Fig. 3D)
- 3- Placera behållaren på dess stöd
- 4- Släpp knappen för att låsa behållaren (Fig. 3E)

Fyll på tanken med vatten till MAX-märket om den ska användas igen. (Fig. 3A)

C - Kastrullstöd:

Sätt kastrullstödet på plats. Se till att föra in de tre skärorna i stödets bas i de tre flikarna i mitten av brännkammaren. Stödets rotation har blockerats. Du kan nu använda apparaten som en grill. (Fig. 4)

D - Värmefördelningsplåt:

Placera värmefördelningsplåten ovanpå armarna på kastrullstödet med skärorna på de tre stöden i linje med varje arm på kastrullstödet. (Fig. 5)

E - Grillhåll:

Placera grillhållen på dess tre stöd ovanpå brännkammaren och se till att önskad yta hamnar överst. (Fig. 6A och 6B)

Patronstöd:

Din apparat levereras med ett patronstöd. Detta stöd gör att du kan fästa patronen i kanten av bordet. Därmed hålls patronen på avstånd från värmekällan och bordsytan fri.

- Ställ apparaten i mitten och rulla ut slangen till kanten på bordet.

- Fäst patronstödet i kanten av bordet. Inställningsskruvens längd passar de flesta bord. (Fig. 8)

Skruva loss inställningsskruven (14) så att utrymmet mellan de två gummidynorna rymmer tjockleken på bordets ram. (Fig. 9A) Placera stödet på kanten av bordet och skruva sedan åt skruven för att säkerställa ett säkert fäste till bordet. (Fig. 9B)

- För skjutreglaget (15) mot toppen och sätt in regulatören i håljet designat för detta ändamål. (Fig. 10A och 10B).

- När skjutreglaget går ner hålls regulatören på plats tack vare fjädningen. (Fig. 10C)

- Kontrollera att slangen är fritt utrullad utan att vara vriden eller spänd och att den inte nuddar de heta ytorna på apparaten. (Fig. 11) Du ska aldrig dra i eller vrida slangen.

SÄKERHETSANVISNINGAR

Använd inte apparaten närmre än 20 cm från en vägg eller annat brandfarligt material.

Ställ grillen på en stabil, horisontell yta och flytta den inte när den används för att undvika att stora lågor bildas från förbränningen av flytande butan, snarare än förångad butan. Skulle detta inträffa ska kontrollvredet stängas av och grillen placeras om.

Använd inte ett kokkärl som är mindre än 12 cm eller större än 26 cm i diameter.

Innan du startar apparaten i grill- eller planchaläge ska du se till att fylla behållaren med vatten upp till MAX-markeringen.

Skydda apparaten mot vind för bästa prestanda.

Lämna aldrig kokplattan över eld utan mat längre än en minut (förutom under den första förvärmningsperioden), annars kommer specialbeläggningen att skadas.

Använd alltid köksredskap i silikon eller trä för att laga maten, för att undvika att skada teflonbeläggningen.

Vänta tills apparaten är fullständigt avkyld innan den vidrörs för rengöring eller förvaring.

Varning! Vissa delar kan vara väldigt varma. Låt inte småbarn komma i närheten av grillen.

Vi rekommenderar att skyddshandskar används vid hantering av de komponenter som kan vara mycket varma.

Använd inte grillen förrän bruksanvisningen har lästs igenom och förstås i sin helhet. Dessutom bör man säkerställa:

- att det inte finns några läckage.
- att brännröret inte är blockerat (av t.ex. spindelnät etc.).
- att slangen inte nuddar några komponenter som kan bli varma.

Viktigt: Se in i fönstret, som sitter på brännkammaren över kontrollvredet (11) (Fig. 1A), för att kontrollera att det finns en låga. Om brännaren slocknar under grillning ska man genast stänga gasventilen och vänta i 5 minuter så att gasen kan förångas. Sedan kan apparaten tändas igen.

F - ANVÄNDNING

TÄNDA BRÄNNAREN

Piezotändning (Fig. 12)

1. Öppna gastillförseln genom att vrida ventilen på regulatormot "+". (Fig. 12A)
2. Vrid kontrollvredet moturs (mot "⚙️") så att det öppnas helt. Vänta i 3 sekunder och skjut sedan in vredet tills du hör ett klick.
3. Tryck tre till fyra gånger till vid behov tills brännaren tänds (kontrollera lågan genom fönstret (11) på behållarens framsida).
4. Om brännaren inte tänds ska kontrollvredet vridas medurs till läget av (O) tills det tar stopp. Vänta fem minuter innan du upprepar detta. Om brännaren inte tänds efter det andra försöket heller kan du **A.** fortsätta till Tända med tändsticka i avsnittet nedan eller **B.** Läs avsnitt I, "Felsökning".

Tända med tändsticka (Fig. 13):

1. Öppna gastillförseln genom att vrida ventilen på regulatormot "+". (Fig. 13A)
2. Vid behov, ta bort grillhällen och tänd en tändsticka i närheten av brännaren.
3. Vrid kontrollvredet mot den lägre effektinställningen (mot ⚙️).
4. Se i fönstret (11) för att kontrollera att det finns en låga.
5. Sätt tillbaka grillhällen.
6. Öka effekten genom att vrida vredet motsols till inställningen ⚙️.

MATLAGNING

A - Använda grillen som en grill

1. Säkerställ att behållaren är fylld med vatten upp till MAX-markeringen och att kastrullstödet och värmefördelningsplåten är installerade enligt beskrivning i avsnitt E.
2. Förvärm kokplattan i cirka 10 minuter på maximal styrka så att den ideala matlagningstemperaturen nås. Läg ingredienserna på plåten och justera temperaturen med kontrollvredet enligt eget önskemål.
3. Efter 1 timmes tillagning, kontrollera vattennivån i behållaren. Fyll på vatten upp till MAX-markeringen vid behov.

Stekhällen är ytbehandlad med ett icke-vidhäftande material av hög kvalitet, som gör det möjligt att grilla utan någon risk för hälsan och utan att använda extra fett.

Tack vare att fetten samlas upp i vattenbehållaren så medför grillningen ingen fara för hälsan (det blir inget överflödigt eller förkolnat fett) och maten behåller all sin smak och mörhet.

En blåaktig missfärgning av kokplattan beror på den starka värmeutvecklingen. Detta påverkar inte det använda materialets kvalitet.

B - Använda grillen som en spis

VIKTIGT! Kokplattan måste tas bort när grillen används som en spis. Ställ aldrig matlagingskärl (stekpanna, kastrull osv.) på stekplattan eller.

Placera kokkärl på (värmefördelningsplåten...) på gallerhållaren rakt över brännaren. Säkerställ att lågan inte kommer upp över kokkärlets undersida.

Använd inte ett kokkärl som är mindre än 12 cm eller större än 26 cm i diameter.

STÄNGA AV

Vrid kontrollvredet medurs till läget av (O) tills det stannar.

G - DEMONTERING AV GASPATRON

Gaspatronen kan demonteras även om den inte är tom.

1. Vrid kontrollvredet medurs till läget av (O) tills det stannar.
2. Låt grillen svalna.
3. Håll i regulatormot, skruva loss gaspatronen genom att vrida den moturs tills ett klick hörs (cirka en sjättedels varv) och ta sedan bort den.
4. Släng aldrig en gaspatron som inte är tom (kontrollera att det inte hörs skvalpande ljud när den skakas).

H - SKÖTSEL OCH FÖRVARING

Om du sköter grillen ordentligt kommer du att kunna använda den under många år.

- Rengör inte grillen när den används. Vänta tills den har svalnat så att du inte bränner dig på varma delar (håll, galler, stöd, behållare osv.).
- När apparaten har svalnat (cirka 15 minuter), ta bort stekplattan, värmefördelningsplåten och kastrullstödet. Ta loss vattenbehållaren enligt avsnitt E. Håll ut vattnet.
- Avlägsna fett med vatten och diskmedel eller med ett rengöringsmedel som inte repar.
- För att förenkla rengöring kan lock, stekplatta, behållare och kastrullstöd diskas i diskmaskin.
- Var noga med att inte blockera brännarnas öppningar när du rengör apparaten. Om öppningarna har blivit igenkorkade, t.ex. av matrester, rengör du dem med en borste (ej av metall).
- Montera tillbaka de löstagbara delarna av apparaten efter rengöring sätt tillbaka locket och stäng det, samt tryck på de 3 klämmorna. (Fig. 2)
- Apparaten skall förvaras på en sval, torr och välventilerad plats, utom räckhåll för barn. Förvara den aldrig i en källare eller i ett utrymme under jorden.
- Om grillen inte ska användas på länge kopplar du bort cylindern enligt avsnitt G.
- Om apparaten inte har använts på mer än 30 dagar ska du kontrollera att inga spindelnät täcker brännarrörets öppningar, eftersom det kan leda till att apparaten fungerar sämre eller till att gas antänds och flammor upp utanför brännaren, vilket är förenat med fara.
- Förvara apparaten i väskan (16). Denna väska säkrar enkel transport och dammfri förvaring.

I - AVVIKELSER / ÅTGÄRDER

Vid baktändning (tändning under brännarlocket) ska produkten stängas av och kylas ner (i ungefär fem minuter) varefter den åter kan tändas. Om problemet med baktändning upprepas, kontakta din lokala Campingaz®-representant.

Avvikelse	Sannolika orsaker / åtgärder
Brännaren tänds inte	<ul style="list-style-type: none">• Dålig gastillförsel• Tryckreduceringsventilen fungerar inte• Slang, kran, venturirör eller mynningar på brännaren är tilltäppta. Rengör venturin.
Brännare misständer eller slocknar	<ul style="list-style-type: none">• Kontrollera att det finns gas• Kontrollera anslutningen av slangen• Kontakta serviceverkstaden
Blåsande ostabila flammor	<ul style="list-style-type: none">• Ny flaska som kan innehålla luft. Låt vara på så försvinner felet• Restvatten, efter rengöring av brännaren eller påfyllning/tömning av behållaren. Låt vara på så försvinner felet.• Kontakta serviceverkstaden
Stor flamspridning i brännarytan	<ul style="list-style-type: none">• venturiröret är tilltäppt (t.ex.: spindelnät)• Kontakta serviceverkstaden
Flamma i munstycket	<ul style="list-style-type: none">• Flaskan är nästan tom• Byt flaska så försvinner felet• Kontakta serviceverkstaden
Antänd läcka i kopplingen	<ul style="list-style-type: none">• Stäng genast gastillförseln• Koppling otät: dra åt kopplingarna igen eller byt slangen• Kontakta serviceverkstaden
Otillräcklig värme	<ul style="list-style-type: none">• Munstycke eller venturirör igensatta. Rengör venturin.• Kontakta serviceverkstaden
Antänd läcka bakom ställknappen	<ul style="list-style-type: none">• Kran trasig• Stäng av apparaten• Rådfråga serviceverkstaden

SE

KÄYTTÖOHJE

HUOMAUTUS: Ellei toisin mainita, kaikki seuraavat tässä käyttöoppaassa esiintyvät yleistermit "laite / yksikkö / tuote / laiteisto / väline" viittaavat tuotteeseen "360 Grill CV"

Nopeus: 160 g/h (2.2 kW)-polttoainesuutin n° 79

Sarja: butaanisuurapainekieitin

Kiitos, että valitsit Campingaz®-tuotteen.

A - TÄRKEÄÄ: OLE AINA VAROVAINEN KAASUA KÄYTETTÄESSÄ!

- Tätä käyttöohjetta noudattamalla käytät Campingaz® 360 Grill CV oikein ja turvallisesti.
- Lue käyttöohje huolellisesti tutustuaksesi keittimeen ennen kuin liität siihen kaasusäiliön.
- Noudata myös Campingaz® CV 470 PLUS-säiliöiden turvaohjeita. Ohjeiden laiminlyöminen voi olla vaarallista käyttäjälle itselleen sekä hänen ympäristölleen.
- Säilytä käyttöohje huolellisesti niin, että voit tarvittaessa palata siihen.
- Keitintä käytetään yksinomaan Campingaz® CV 470 PLUS-säiliöiden kanssa. Muiden kaasusäiliöiden käyttö voi olla vaarallista.
- Application Des Gaz -yhtiö ei vastaa muiden säiliömerkkin käytön aiheuttamista vahingoista.
- Tätä grilliä tulee käyttää vain ulkona ja kaukana tulenaroista materiaaleista.
- Vuotavaa, heikosti toimivaa tai viallista laitetta ei saa käyttää. Se on palautettava jälleenmyyjälle, joka neuvoo edelleen lähimpään jälkihuoltoon.
- Laitetta ei saa muunnella eikä käyttää muuhun kuin sen alkuperäiseen tarkoitukseen. Laitteen muuttaminen voi olla vaarallista.
- Laitetta ei saa käyttää asuntovuonussa, ajoneuvossa, teltassa, katoksessa, mökissä tai muussa ahtaassa suljetussa tilassa.
- Laitetta ei saa käyttää nukkumisen aikana, eikä sitä saa jättää valvomatta.
- Kaikki kaasulla toimivat laitteet kuluttavat happea ja erittävät muita mahdollisesti vaarallisia aineita ja kaasuja, kuten hiilimonoksidia (CO).
- Hajuton ja väritön hiilimonoksidi voi aiheuttaa pahoinvointia, vilustumisen kaltaisia oireita tai jopa kuoleman, jos laitetta käytetään sisätiloissa ilman asianmukaista tuuletusta.

B - LAITTEESI

Ota laite pakkauksesta ja tutustu siihen (kuvat 1A ja 1B)

- | | |
|------------------|---------------------|
| (1) Muovikansi | (7) Säädin |
| (2) Paistoparila | (8) Patruunateline |
| (3) Lämpöhajotin | (9) Säätönuppi |
| (4) Pannuteline | (10) Lukituspainike |
| (5) Vesisäiliö | (16) Kantokassi |
| (6) Jalusta | |

C - CAMPINGAZ® CV 470 PLUS SÄILIÖN ASENTAMINEN

(Jos patruuna on tyhjä, lue kohta G, "Patruunan poistaminen").

Säiliö asennetaan ja poistetaan aina ilmastoidussa tilassa, mieluiten ulkoilmassa kaukana avotulesta ja lämmönlähteestä (savuke, sähkölaite jne.), muista ihmisistä ja syttyvistä materiaaleista.

VENTTIILINSÄ ANSIOSTA CAMPINGAZ® CV 470 PLUS-SÄILIÖ VOIDAAN TÄYSINÄISENÄKIN POISTAA KEITTIMESTÄ KULJETUKSEN AJAKSI JA LIITTÄÄ MUIHIN CAMPINGAZ® CV 470 PLUS SARJAN KEITTIMIIN, JOTKA TOIMIVAT YKSINOMAAN YM. SÄILIÖLLÄ

1. Käännä säätönuppiä myötäpäivään pois päältä -asentoon (O) sen pysähtymiseen asti. (Kuva 7A)
2. Kierrä kaasupatruuna varovasti paikalleen pyörittämällä sitä myötäpäivään kunnes kuulet naksahduksen (noin 1/6 kierrosta). Älä kierrä patruunaa väkisin tätä pidemmälle, sillä se voi vaurioittaa patruunan venttiiliä. (Kuva 7B)

Mikäli ilmenee kaasuvuoto (ts. haistat kaasua ennen kaasuhanan avaamista), vie laite välittömästi ulos paikkaan, jossa on hyvä ilmanvaihto ja jonka lähetyvillä ei ole palon aiheuttajia, jotta vuoto voidaan paikantaa ja tukkia. Jos haluat tarkistaa laitteen vuotojen varalta, tee se ulkona. Älä yritä löytää vuotoja liekin avulla, vaan käytä saippuavettä.

D - KAASUVUOTOJEN TARKISTUS

1. Pidä etäällä syttyvistä materiaaleista, älä tupakoi laitteen lähellä.
2. Varmista, että säätönupit ovat OFF-asennossa (O).
3. Asenna säädin kaasupatruunaan (katso osa C).
4. Älä koskaan käytä liekkiä kaasuvuotojen havaitsemiseksi. Käytä kaasuvuotoa.
5. Levitä liuos patruunan / säätimen / letkun / laitteen välisiin liitäntöihin (Kuva 14).
6. Avaa säätöventtiili (7) (Kuva 1B) kääntämällä vastapäivään asentoon - + (säätönupin tulee pysyä "OFF" (O) -asennossa). Kaasuvuotoja ilmaisevassa nesteessä olevat kuplat kertovat, onko kaasuvuotoa.
7. Sulje säätimen venttiili.
8. Grilliä ei saa käyttää, ennen kuin kaikki vuodot on poistettu.
9. Irrota säädin kasetista ja ota yhteyttä paikalliseen huoltopalveluun.

Tärkeää: Tarkista vuodot vähintään kerran vuodessa ja aina, kun kaasupullo vaihdetaan.

E - KÄYTTÖVALMISTELUT

360-grilli:

A - Muovikansi:

Muovikansi on kiinnitetty tulisijan yläosaan liittimillä (Kuva 2). Se pitää kaikki sisäosat paikallaan kuljetuksen aikana. Irrota se ennen käyttöä.

B - Vesisäiliön käyttö:

Aseta laite tasaiselle alustalle. Täytä säiliö vedellä enimmäistäyttöviivaan asti. (Kuva 3A) Varo läikyttämästä vettä polttimeen.

Ruoanlaiton jälkeen voit irrottaa vesisäiliön, heittää vesiravaseoksen pois ja puhdistaa säiliön. Voit käyttää säiliön pesemiseen sientä ja hankaamatonta pesuainetta tai laittaa säiliön astianpesukoneeseen.

Irrota vesisäiliö vetämällä lukituspainiketta (10). Vedä painiketta, kunnes se pysähtyy, ja irrota säiliö liikuttamalla sitä ylöspäin. (Kuva 3B)

Aseta säiliö puhdistamisen jälkeen takaisin jalustaan:

- 1- Vedä lukituspainiketta (10) (Kuva 3C)
- 2- Kohdista liekin katseluikkuna (11) säätönupin (9) kanssa. Säiliön pohjan lovet (12) on kohdistettava lukitusakselin (13) kanssa (Kuva 3D)
- 3- Aseta säiliö telineeseensä
- 4- Vapauta painike, niin säiliö lukittuu (Kuva 3E)

Täytä säiliö vedellä MAX -asetukseen asti, jos haluat käyttää sitä uudelleen. (Kuva 3A)

C - Pannuteline:

Laita pannuteline paikalleen. Aseta sen pohjan kolme lovea tulisijan kolmeen tulisijan keskellä olevaan ulkonemaan. Teline ei pääse pyörimään. Laite on valmis käytettäväksi lietenä. (Kuva 4)

D - Lämpöhajotin:

Aseta lämpöhajotin pannutelineen varsien päälle ja kohdista sen kolme lovea telineen kunkin varren kanssa. (Kuva 5)

E - Paistoparila:

Aseta paistoparila sen kolmeen tukeensa tulisijan päälle. Muista asettaa haluamasi puoli ylöspäin. (Kuva 6A ja 6B)

Patruunateline:

Laitteesi mukana toimitetaan patruunateline. Tämän telineen avulla voit kiinnittää patruunan pöydän reunaan. Tällöin patruuna on kaukana lämmönlähteestä ja patruuna ei vie tilaa pöydältä.

- Aseta laite keskelle ja avaa letkua rullalta pöydän reunaan asti.
- Kiinnitä patruunateline pöydän reunaan. Säätöruuvien pituuden ansiosta se sopii useimpiin pöytiin. (Kuva 8)

Kierrä säätöruuvi (14) auki siten, että kahden kumityynyn välinen tila sopii pöydän rungon paksuuteen (Kuva 9A), aseta teline pöydän reunaan ja varmista telineen kiinnitys kiristämällä ruuvi. (Kuva 9B)

- Liu'uta työnäkö (15) ylöspäin ja aseta säädin sille tarkoitettuun koteloon. (Kuva 10A & 10B)
- Anna työnäkö laskeutua alas. Säädin pysyy kuitenkin paikallaan jousen ansiosta. (Kuva 10C)
- Tarkista, että letku on avattu vapaasti rullalta, että letku ei ole vääntynyt ja että siihen ei kohdistu vetoa, ja että se ei osu laitteen kuumiin pintoihin. (Kuva 11) Älä koskaan vedä letkusta tai kierrä sitä.

TURVALLISUUSVAROITUKSET

Älä käytä laitetta 20 cm lähempänä seinästä tai muusta palon arasta esineestä.

Aseta laite vakaalle, vaakasuoralle pinnalle äläkä liikuta sitä käytön aikana, jottei nestemäisen, toisin kuin haihtuneen butaanin palamisesta aiheutuisi suuria liekkejä. Jos näin tapahtuu, kytkä säätönuppi pois päältä ja sijoita laite uudelleen.

Älä käytä keittoastiaa, jonka halkaisija on alle 12 cm tai suurempi kuin 26 cm.

Muista täyttää vesisäiliö enimmäistäyttöviivaan asti ennen kuin sytytät laitteen Grill- tai Plancha -asetuksella.

Varmista laitteen asianmukainen toiminta suojaamalla sitä tuulelta.

Älä koskaan jätä keittolevyä tulelle ilman elintarvikkeita yli minuutin ajaksi (lukuun ottamatta ensimmäistä esilämmitysjaksoa), muussa tapauksessa erikoispainotte vahingoittuu.

Jotta tarttumaton pinnote ei vahingoittuisi, käytä aina silikonista tai puusta valmistettuja keittövälineitä astioiden käsittelyä varten.

Odota, että laite on täysin jäähtynyt ennen kuin alat valmistella sitä säilytystä varten.

Huomio: Osat voivat olla erittäin kuumia. Älä päästä lapsia laitteen lähelle.

Suosittelaa käytettäväksi suojakäsineitä käsiteltäessä osia, jotka voivat olla todella kuumia.

Älä koskaan käytä laitetta ennen kuin olet lukenut ohjeet huolellisesti ja ymmärtänyt niiden sisällön. Varmista lisäksi, että:


- ei ole vuotoja.
- varmista, että polttimen putki ei ole tukossa (esimerkiksi hämähäkinverkot jne.).
- letku ei koske osiin, jotka voivat kuumentua.

Tärkeää: tarkista, että liekki on syttynyt, tulisijassa säätönupin yläpuolella olevan ikkunan kautta (11) (Kuva 1A). Jos poltint sammuu grillauksen aikana, sulje kaasuventtiili välittömästi ja odota 5 minuuttia, että kaasuhaihtuu. Sytytä laite uudelleen odotusajan jälkeen.


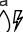
F - KÄYTTÄMINEN

POLTTIMEN SYTYTTÄMINEN

Pietsosytytin (Kuva 12)

1. Avaa kaasunsyöttö kääntämällä säätimen venttiiliä kohti asentoa +. (Kuva 12A)
2. Kierrä säätönuppia vastapäivään (kohti "  ") niin, että se on täysin auki. Odota 3 sekuntia, jotta piiri täyttyy. Paina nuppia, kunnes kuulet napsahduksen.
3. Paina tarvittaessa uudelleen 3 tai 4 kertaa, kunnes poltin on sytytetty (tarkista liekki säiliön etupuolen ikkunasta (11)).
4. Jos poltin ei syty, kierrä säätönuppia myötäpäivään pois päältä -asentoon (O) päin siihen asti, että se pysähtyy. Odota 5 minuuttia ennen kuin yrität uudelleen.
5. Jos poltin ei syty edes 2. yrityksen jälkeen, voit **A.** jatkaa jäljempänä olevaan Tulitikkusytytys-osioon tai **B.** Katso lisätietoja kohdasta I Vianmääritys.

Sytytys tulitikkulla (Kuva 13):

1. Avaa kaasunsyöttö kääntämällä säätimen venttiiliä kohti asentoa +. (Kuva 13A)
2. Irrota tarvittaessa paistoparila ja vie sytytetty tulitikku polttimen lähelle.
3. Käännä säätönuppia alhaisen tehoasetuksen suuntaan .
4. Tarkista, että liekki on syttynyt, katseluikkunan kautta (11).
5. Aseta paistoparila takaisin paikalleen.
6. Nosta tehoa kääntämällä nuppia vastapäivään suuremman tehoasetuksen suuntaan .

RUUANLAITTO

A - Laitteen käyttäminen grillinä

1. Varmista, että vesisäiliö on täytetty enimmäistäyttöviivaan asti, ja että pannuteline ja lämpöhajotin on asennettu kohdassa E kuvattulla tavalla.
2. Esilämmitä keittolevyä noin 10 minuuttia maksimiteholla saavuttaaksesi ihanteellisen lämpötilan ruuanlaittoon. Aseta ainesosat levyille ja säädä lämpötila haluamaksesi säätönupilla.
3. Tarkista säiliössä olevan veden määrä, kun ruuanlaitto on kestänyt 1 tunnin. Lisää tarvittaessa vettä enimmäistäyttöviivaan asti.

Paistolevyn pinta on käsitelty korkealaatuisella tarttumista estävällä päällysteellä, jolloin terveellisen paiston voi suorittaa ilman lisärasvaa.

Rasvaiset aineet kerätään vesisäiliöön, ja ateriasi on täysin terveellinen (siinä ei ole rasvajäämiä tai hiiltyneitä rasvoja) ja ainesosat säilyttävät täyden makunsa.

Paistolevyn sinertävä väri johtuu voimakkaasta lämmönkehityksestä. Se ei vaikuta mitenkään käytetyn materiaalin laatuun.

B - Laitteen käyttäminen keittolaitteena

TÄRKEÄÄ: Paistolevy tulee ottaa pois aina, kun laitetta käytetään keittolaitteena. Älä koskaan aseta keittoastioita paistolevyn tai lämpöhajotimen päälle.

Aseta keittoastia (paistinpannu, pannu...) arinan päälle ja kohdista se polttimen yläpuolelle. Tarkista, ettei liekki ulotu keittoastian alaosaan ulkopuolelle.

Älä käytä keittoastiaa, jonka halkaisija on alle 12 cm tai suurempi kuin 26 cm.

SAMMUTTAMINEN

Käännä säätönuppia myötäpäivään pois päältä -asentoon (O) sen pysähtymiseen asti.

G - PATRUUNAN POISTAMINEN

Pullon voi irrottaa silloinkin, kun siinä on vielä kaasua.

1. Käännä säätönuppia myötäpäivään pois päältä -asentoon (O) sen pysähtymiseen asti.
2. Anna laitteen jäähtyä kunnolla.
3. Pidä kiinni säätimestä ja kierrä kaasupatruunaa irti kääntämällä sitä vastapäivään, kunnes kuulet napsahduksen (noin kuudesosa kierrosta).
4. Älä koskaan heitä pois pulloa, ellei se ole tyhjä. Tarkista, ettei patruunassa ole nestettä ravistamalla sitä.

H - HUOLTO JA SÄILYTYS

Jos laitteesta huolehditaan asianmukaisesti, sitä voi käyttää monia vuosia.

- Älä puhdista laitetta, kun sitä käytetään. Odota, kunnes se on jäähtynyt, jotta kuumat osat (paistinlevy, ritilä, arina, säiliö, jne.) eivät aiheuta palovammoja.
- Kun laite on jäähtynyt (noin 15 minuutin kuluttua), irrota paistolevy, lämpöhajotin ja pannuteline. Irrota säiliö jalustasta kohdan E ohjeiden mukaan. Empty the water.
- Puhdista rasvaiset osat vedellä ja saippualla tai hankaamattomalla puhdistusaineella.
- Voit pestä kannen, paistolevyn, säiliön ja pannutelineen astianpesukoneessa.
- Varo tukkimasta poltinten reikiä puhdistuksen aikana. Jos reiät tukkeutuvat esimerkiksi roiskuneen ruoan vuoksi, avaa reiät harjalla. Älä kuitenkaan käytä metallista harjaa.
- Kokoa laitteen irrotettavat osat puhdistuksen jälkeen takaisin, laita kansi takaisin ja sulje se painamalla 3 pidikettä. (Kuva 2)
- Laite on varastoitava viileässä, kuivassa ja ilmavassa paikassa poissa lasten ulottuvilta, ei koskaan maanalaissessa kerroksessa tai kellarissa.
- Jos laitetta ei aiota käyttää pitkään aikaan, irrota kaasupullo osan G ohjeiden mukaisesti.
- Ellei laitetta ole käytetty yli 30 päivään, varmista, ettei poltintupkeen aukoissa ole hämähäkinseittejä, jotka voivat heikentää laitteen tehoa tai saada kaasun syttymään vaarallisesti polttimen ulkopuolella.
- Säilytä laitetta kantokassissa (16). Kantokassilla voit helposti kantaa laitetta tai säilyttää sitä suojattuna pölyltä.

I - VIAT / KORJAUKSET

Liekin takaiskun (sytytys polttimen korkin alla) tapauksessa kytke tuote pois päältä, anna sen jäähtyä (noin viisi minuuttia) ja sytytä laite uudelleen. Jos liekin takaiskun ongelma ei poistu, ota yhteys paikalliseen Campingaz®-edustajaan.

Viat	Oletetut aiheuttajat / korjaukset
Poltin ei syty	<ul style="list-style-type: none">• Hidastunut kaasun syöttö• Paineenalennusventtiili ei toimi• Letku, hana, venturi-putki tai polttimen ilma-aukot ovat tukkeutuneet. Puhdista venturi.
Poltin sammuu välillä tai kokonaan	<ul style="list-style-type: none">• Tarkista onko säiliössä vielä kaasua• Tarkista letkun kiinnitys• Ota yhteys huoltopalveluun
Epävakaat leimahtelevat liekit	<ul style="list-style-type: none">• Uusi pullo saattaa sisältää ilmaa. Vika häviää käytettäessä• Jäännösvesi polttimen pesun tai kulhon täyttämisen/tyhjennyksen jälkeen. Vika häviää käytettäessä.• Ota yhteys huoltopalveluun.
Korkea liekki polttimen pinnalla	<ul style="list-style-type: none">• Venturi-putki on tukossa (esim. hämähäkin verkot)• Ota yhteys huoltopalveluun
Liekki injektorissa	<ul style="list-style-type: none">• Pullo on lähes tyhjä• Vika poistuu, kun vaihdat pullon• Ota yhteys huoltopalveluun
Liekkiin syttynyt vuoto liittimessä	<ul style="list-style-type: none">• Sulje heti kaasun tulo• Vuotava liittämä: kiristä mutterit tai vaihda letku• Ota yhteys huoltopalveluun
Riittämätön kuumuus	<ul style="list-style-type: none">• Injektori tai venturi-putki tukossa. Puhdista venturi.• Ota yhteys huoltopalveluun
Liekehtivä vuoto säätönupin takana	<ul style="list-style-type: none">• Viallinen hana• Pysäytä laite• Ota yhteys huoltopalveluun

INSTRUKCJA OBSŁUGI

UWAGA: O ile nie wskazano inaczej, poniższe ogólne terminy „urządzenie / produkt / sprzęt”, pojawiające się w niniejszej instrukcji odnoszą się do produktu „360 Grill CV”.

Wydajność: 160 g/godz (2.2 kW)-wylot gazu n° 79

KATEGORIA : bezpośrednia presja butan

Dziękujemy za wybór produktu Campingaz®.

A - WAŻNE: PODCZAS UŻYWANIA GAZU NALEŻY ZAWSZE ZACHOWAĆ OSTROŻNOŚĆ!

- Niniejsza instrukcja obsługi umożliwi Ci prawidłową i bezpieczną obsługę urządzenia Campingaz® 360 Grill CV.
- Przeczytaj ją uważnie, aby poznać urządzenie przed włożeniem kartusza z gazem.
- Przestrzegaj wskazówek tej instrukcji oraz zaleceń bezpieczeństwa, podanych na kartuszach CAMPINGAZ® CV 470 PLUS. Nieprzestrzeganie tych zaleceń może stanowić zagrożenie dla Ciebie i otoczenia.
- Zachowaj instrukcję obsługi w bezpiecznym miejscu, tak aby w razie potrzeby móc do niej zająrzeć.
- Urządzenie to może być używane tylko z kartuszami CAMPINGAZ® CV 470 PLUS. Używanie innego rodzaju naboju gazowych może być niebezpieczne.
- Firma Application Des Gaz nie bierze odpowiedzialności za skutki używania kartuszy innych marek.
- Tego grilla należy używać wyłącznie na zewnątrz, z dala od łatwopalnych materiałów.
- Nie używać urządzenia nieszczelnego, wadliwie działającego lub uszkodzonego. Takie urządzenie należy odnieść do miejsca sprzedaży.
- Nie dokonywać żadnych zmian w urządzeniu. Stosować tylko zgodnie z celem, do którego urządzenie jest przeznaczone. Wszelkie modyfikacje urządzenia mogą być niebezpieczne.
- Nie należy stosować go w przyczepach kempingowych, pojazdach, namiotach, wiatkach, domkach i innych małych zamkniętych pomieszczeniach.
- Nie należy stosować urządzenia w czasie snu ani pozostawiać go bez nadzoru.
- Wszystkie urządzenia na gaz zużywają tlen i emitują inne potencjalnie niebezpieczne substancje i gazy, takie jak tlenek węgla (CO).
- Tlenek węgla jest substancją bezzapachową i bezbarwną, która może powodować omdlenia oraz objawy przypominające grypę. Może nawet doprowadzić do śmierci, jeśli aparat używany jest w pomieszczeniu bez odpowiedniej wentylacji.

B - URZĄDZENIE

Rozpakuj i poznaj swoje urządzenie (Rys. 1A i 1B)

- | | |
|-----------------------------------|----------------------------|
| (1) Pokrywa z tworzywa sztucznego | (7) Regulator |
| (2) Ruszt | (8) Wspornik kartusza |
| (3) Dyfuzor ciepła | (9) Pokrętko regulacyjne |
| (4) Wspornik patelni | (10) Przycisk blokady |
| (5) Zbiornik na wodę | (16) Torba do przenoszenia |
| (6) Podstawa | |

C - INSTALACJA KARTUSZY CAMPINGAZ® CV 470 PLUS

(Jeśli wkład jest pusty, należy przeczytać sekcję G, „Wymywanie wkładu”)

Kartusz wkładać lub wyjmować zawsze w miejscu dobrze przewietrzonym, najlepiej na zewnątrz i nigdy nie w pobliżu ognia, źródła ciepła lub iskry (papieros, urządzenie elektryczne itd.), z dala od innych osób i materiałów łatwopalnych.

PONIEWAŻ POJEMNIK CAMPINGAZ® CV 470 PLUS POSIADA WENTYL, MOŻNA GO ZDEJMOWAĆ DO TRANSPORTU, Z KUCHENKI, NAWET JEŻELI W ŚRODKU ZNAJDUJE SIĘ GAZ. POJEMNIK TAKI MOŻNA RÓWNIEŻ PRZEŁOŻYĆ NA INNĄ KUCHENKĘ CAMPINGAZ® Z ZESTAWU CV 470 PLUS, PRZEZNACZONEGO WYŁĄCZNIE DO TEGO TYPU POJEMNIKÓW.

1. Obrócić pokrętko sterujące w kierunku zgodnym z ruchem wskazówek zegara do pozycji (O), aż się zatrzyma. (Rys. 7A)
2. Delikatnie wkręcić wkład z gazem, obracając go w zgodnie z ruchem wskazówek zegara, aż słycać będzie kliknięcie (około jedna szósta obrotu). Nie obracać wkładu poza ten punkt, ponieważ stwarza to zagrożenie uszkodzenia zaworu wkładu. (Rys. 7B)

W przypadku wycieku (przed odkręceniem kranika czuć gaz) należy niezwłocznie wystawić urządzenie na zewnątrz do dobrze wentylowanej przestrzeni bez źródła zapłonu, gdzie będzie można zlokalizować i zatrzymać wyciek. Wycieki w urządzeniu należy sprawdzać na zewnątrz. Nie należy próbować wykrywać wycieków przy użyciu ognia, ale należy użyć do tego celu wody z mydłem.

D - SPRAWDZANIE POD KĄTEM WYCIEKU GAZU

1. Trzymać z dala od materiałów łatwopalnych; nie palić w pobliżu urządzenia.
2. Upewnij się, że pokrętko regulacji jest ustawione w pozycji „OFF” (O) [wyłączone].
3. Zamontuj regulator na kartuszu (patrz część C).
4. Nie wolno używać płomienia do wykrywania wycieku gazu. Należy zastosować odpowiedni preparat.
5. Nanieś preparat na złącza pomiędzy kartuszem/regulatorem/wężem/urządzeniem (Rys. 14).
6. Otwórz zawór regulacyjny (7) (Rys. 1B), obracając go w lewo od - do + (pokrętko regulacji powinno pozostać w pozycji „OFF” (O)). Pęcherzyki w preparacie do sprawdzania szczelności wskazują, czy jest wyciek.
7. Zamknij zawór regulatora.
8. Nie wolno korzystać z grilla do czasu usunięcia wycieku.
9. Odłącz regulator od kartusza i skontaktuj się z pomocą techniczną sprzedawcy, aby uzyskać pomoc.

Ważne: Szczelność należy sprawdzać co najmniej raz w roku i po każdej wymianie kartusza gazowego.

E - PRZYGOTOWANIE DO UŻYCIA

Grill 360:

A - Pokrywa z tworzywa sztucznego:

Pokrywa jest mocowana na górze komory spalania za pomocą zaczepów (Rys. 2). Utrzymuje wszystkie części wewnętrzne na miejscu podczas transportu. Należy ją zdjąć przed użyciem.

B - Użytkowanie zbiornika na wodę:

Ustawić urządzenie na płaskim podłożu. Napełnić zbiornik wodą do poziomu MAX. (Rys. 3A) Uważać, aby nie rozlać wody na palnik.

Po zakończeniu gotowania można odłączyć zbiornik na wodę, aby usunąć mieszaninę wody i tłuszczu oraz wyczyścić go. Można użyć gąbki nasączonej nieściernym detergentem lub włożyć zbiornik do zmywarki.

Odłączyć zbiornik na wodę, pociągając przycisk blokady (10). Trzymając przycisk naciśnięty do oporu, wyjąć zbiornik, przesuwając go do góry. (Rys. 3B)

Po zakończeniu czyszczenia umieścić zbiornik z powrotem na podstawie:

- 1- Pociągnąć przycisk blokady (10) (Rys. 3C)
- 2- Ustawić w jednej linii wzniesienie płomienia (11) z pokrętłem (9). Wycięcia (12) w podstawie zbiornika muszą się pokrywać z osią blokady (13) (Rys. 3D).
- 3- Umieścić zbiornik na wsporniku
- 4- Zwolnić przycisk, zbiornik zostanie zablokowany (Rys. 3E)

Jeśli chcesz użyć zbiornika ponownie, napełnij go wodą do poziomu MAX. (Rys. 3A)

C - Wspornik patelni:

Umieścić wspornik patelni na miejscu. Zwrócić uwagę, aby 3 wycięcia podstawy wsunąć w 3 klapy na środku komory spalania. Obrót wspornika jest zablokowany. Urządzenie jest gotowe do pracy jako kuchenka. (Rys. 4)

D - Dyfuzor ciepła:

Umieścić dyfuzor ciepła na ramionach wspornika tak, aby wycięcia jego 3 wsporników pokrywały się z każdym ramieniem. (Rys. 5)

E - Ruszt:

Umieścić ruszt na 3 wspornikach na górze komory spalania, zwracając uwagę na to, aby żądana powierzchnia znalazła się na górze. (Rys. 6A i 6B)

Wspornik kartusza:

Urządzenie wyposażone jest we wspornik kartusza. Pozwała on na zamocowanie kartusza na krawędzi stołu. W ten sposób kartusz znajduje się z dala od źródła ciepła i nie zajmuje miejsca na stole.

- Umieścić urządzenie na środku i rozwinąć wąż do krawędzi stołu.

- Zamocować wspornik kartusza do krawędzi stołu. Długość śruby regulacyjnej pozwala na dopasowanie do większości stołów. (Rys. 8)

Odkręcić śrubę regulacyjną (14) tak, aby przestrzeń między 2 gumowymi podkładkami pasowała do grubości ramy stołu (Rys. 9A), nasunąć wspornik na krawędź stołu, a następnie dokręcić śrubę, aby zapewnić bezpieczne zamocowanie do blatu. (Rys. 9B)

- Przemieścić popychacz (15) do góry i włożyć regulator do przeznaczonej do tego celu obudowy. (Rys. 10A i 10B)

- Opuścić popychacz, dzięki czemu regulator zostanie zablokowany na miejscu przez docisk sprężyny. (Rys. 10C)

- Sprawdzić, czy wąż rozwija się swobodnie, bez skręcania lub zaczepiania i nie styka się z gorącymi powierzchniami

urządzenia. (Rys. 11) Nigdy nie ciągnąć za wąż ani go nie skręcać.

ŚRODKI BEZPIECZEŃSTWA

Nie używaj urządzenia w odległości mniejszej niż 20 cm od palnych ścian i przedmiotów.

Postawić urządzenie na stabilnej, poziomej powierzchni i nie przesuwaj podczas eksploatacji, aby uniknąć pojawiania się wysokich płomieni powstających ze spalania ciekłego butanu zamiast oparów butanu. Jeśli do tego dojdzie, przekreślić pokrętło sterujące do pozycji wyłączenia i ponownie ustawić urządzenie.

Nie używaj naczynia do gotowania o średnicy mniejszej niż 12 cm ani większej niż 26 cm.

Przed włączeniem urządzenia w trybie Grill lub Plancha upewnij się, że zbiornik jest napełniony wodą do poziomu „MAXI”.

Aby zwiększyć skuteczność urządzenia, należy osłonić je przed wiatrem.

Nigdy nie zostawiaj działającej pustej płyty do grillowania na dłużej niż minutę konieczną do jej podgrzania, w przeciwnym przypadku jej specjalna powłoka może ulec uszkodzeniu.

Aby uniknąć uszkodzenia powłoki zapobiegającej przywieraniu, do przestawiania naczyń zawsze używaj przyborów kuchennych wykonanych z silikonu lub drewna.

Przed jakimikolwiek czynnościami związanymi z przechowywaniem, poczekaj aż urządzenie ostygnie.

Przeostrożność: niektóre części mogą być bardzo gorące. Nie wolno pozwolić podchodzić dzieciom do urządzenia.

Do obsługi elementów, które mogą być gorące, zaleca się stosować rękawice.

Korzystanie z grilla można rozpocząć dopiero po dokładnym przeczytaniu i zrozumieniu instrukcji. Ponadto należy upewnić się, że:

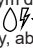
- nie ma wycieków;
- rura palnikowa nie jest zasłonięta (np. przez pajęczyny);
- przewód nie dotyka żadnych elementów, które mogą się rozgrzać.

Ważne: obecność płomienia należy sprawdzić przez okienko znajdujące się na obudowie nad pokrętłem regulacji (11) (Rys. 1A). Jeśli palnik zgaśnie podczas grillowania, natychmiast zamknij zawór gazowy i poczekaj 5 minut, aby gaz się ulotnił. Po tym czasie ponownie zapal palnik.


F - EKSPLOATACJA

ZAPALANIE PALNIKA

Zapalarka piezoelektryczna (Rys. 12)

1. Otworzyć dopływ gazu, obracając zawór na reduktorze w kierunku „+”. (Rys. 12A)
2. Przekręcić pokrętło sterujące w kierunku przeciwnym do ruchu wskazówek zegara (w kierunku symbolu „”), aby całkowicie je odkręcić. Odczekać 3 sekundy, aby obieg został napełniony, następnie nacisnąć pokrętło do oporu, aż do usłyszenia kliknięcia.
3. Jeśli to konieczne, powtórzyc popychanie 3 lub 4 razy, aż palnik się zapali (obecność ognia należy sprawdzić przez okienko (11) umieszczone z przodu zbiornika).
4. Jeśli palnik nie zapali się, przekręcić pokrętło sterujące do pozycji wyłączenia (O), aż się zatrzyma. Przed powtórzeniem czynności należy odczekać 5 minut.
5. Jeśli po wykonaniu drugiej próby palnik nie zapali się, można **A.** przejść do poniższej sekcji Zapalanie zapalką, lub **B.** Zapoznać się z częścią I „Rozwiązywanie problemów”.

Zapalanie zapalką (Rys. 13):

1. Otworzyć dopływ gazu, obracając zawór na reduktorze w kierunku „+”. (Rys. 13A)
2. Jeśli to konieczne, zdjąć ruszt i zbliżyć zapaloną zapalkę do palnika.
3. Ustawić pokrętło regulacyjne na mały płomień (w kierunku O).
4. Sprawdzić obecność płomienia przez okienko (11).
5. Włożyć ruszt z powrotem na miejsce.
6. Zwiększyć płomień obracając pokrętło w lewo, aż do ustawienia .

GOTOWANIE

A - Używanie urządzenia jako grilla

1. Upewnić się, czy zbiornik jest napełniony wodą do poziomu „MAXI”, a wspornik patelni i dyfuzor ciepła są założone zgodnie z opisem w części E.
2. Podgrzewaj naczynie do gotowania przez mniej więcej 10 minut przy maksymalnym ustawieniu, aby uzyskać idealną temperaturę do przygotowywania potrawy. Połóż składniki na płycie i wyregulować temperaturę pokrętłem stosownie do potrzeb.
3. Po 1 godzinie gotowania sprawdzić ilość wody w zbiorniku. W razie potrzeby dolać wody do poziomu MAX.

Płyta do grillowania jest pokryta wysokiej jakości powłoką zapobiegającą przywieraniu, umożliwia to przygotowywanie zdrowych potraw bez dodawania tłuszczu.

Ponieważ tłuszcz zbiera się w pojemniku z wodą, przygotowywane potrawy są zdrowe, nie zawierają tłuszczu ze smażenia ani spalonego tłuszczu, zachowują pełnię smaku i elastyczność.

Niebieskie odbarwienie płyty do pieczenia spowodowane jest silnym rozgrzaniem. Nie ma to wpływu na jakość użytego materiału.

B - Używanie urządzenia jako kuchenki

WAŻNE: W przypadku używania urządzenia jako kuchenki należy zdjąć płytę do pieczenia. Nigdy nie stawiać naczyń do gotowania na płycie lub dyfuzorze.

Umieścić naczynie kuchenne (patelnię, garnek itp.) na ruszcie, centralnie nad palnikiem. Upewnić się, że ogień nie wykracza ponad podstawę naczynia kuchennego.

Nie używaj naczyń do gotowania o średnicy mniejszej niż 12 cm ani większej niż 26 cm.

WYŁĄCZANIE

Obrócić pokrętło sterujące w kierunku zgodnym z ruchem wskazówek zegara do pozycji (O), aż się zatrzyma.

G - USUWANIE KARTUSZA

Kartusz można odłączyć nawet wtedy, gdy nie jest pusty.

1. Obrócić pokrętło sterujące w kierunku zgodnym z ruchem wskazówek zegara do pozycji (O), aż się zatrzyma.
2. Poczekać, aż urządzenie ostygnie.
3. Trzymając za regulator, odkręcić wkład z gazem obracając go w kierunku przeciwnym do ruchu wskazówek zegara, aż słychać będzie kliknięcie (około jedna szósta obrotu), a następnie wyjąć go.
4. Nie wyrzucaj nigdy kartusza zawierającego gaz (sprawdź, czy przy potrząsaniu kartuszem słycać bulgotanie).

H - KONSERWACJA I PRZECHOWYWANIE

Prawidłowe przechowywanie i konserwacja urządzenia umożliwi jego wieloletnią eksploatację.

- Nie należy czyścić urządzenia gdy jest używane. Aby uniknąć poparzenia wywołanego kontaktem z gorącymi częściami urządzenia (płyta do pieczenia, ruszt, ruszt do gotowania, zbiornik), przed przystąpieniem do czynności konserwacyjnych należy odczekać do momentu, aż będą zupełnie zimne.
- Po ostygnięciu urządzenia (ok. 15 minut) zdjąć płytę, dyfuzor oraz wspornik patelni. Odłączyć zbiornik od podstawy zgodnie z punktem E. Opróżnić wodę.
- Wymyć zatłuszczone części wodą z mydłem lub detergentem niezawierającym środków ściernych.
- Aby ułatwić czyszczenie, pokrywę, płytę grzejną, zbiornik i wspornik można myć w zmywarce do naczyń.
- W trakcie czyszczenia należy uważać, aby nie zatkać otworów palnika. Jeśli otwory są zatkane, np. przez resztki jedzenia, należy odetkać je przy pomocy szczotki o łagodnym włosiu (nie należy używać szczotek z włosiem metalowym).
- Po wyczyszczeniu ponownie zamontuj zdejmowane części urządzenia, załóż pokrywę i zamknij ją, naciskając 3 zaciski. (Rys. 2)
- Urządzenie należy przechowywać w bezpiecznym i suchym miejscu, poza zasięgiem dzieci. Pod żadnym pozorem nie należy przechowywać go w piwnicy.
- Jeśli urządzenie ma być nieużywane przez dłuższy czas, należy odłączyć butlę w sposób podany w rozdziale G.
- Jeśli urządzenie nie było nieużywane przez 30 dni, należy sprawdzić czy pajęczyny nie zatykają otworów węża palnika, gdyż może to doprowadzić do ograniczenia wydajności palnika lub zagrożenia zapalenia się gazu znajdującego się poza obszarem palnika.
- Urządzenie należy przechowywać w torbie (16). Torba ułatwia przenoszenie urządzenia oraz chroni przed kurzem podczas przechowywania.

PL

I - MOŻLIWE USTERKI / DZIAŁANIA NAPRAWCZE

W przypadku cofnięcia się płomienia (zapłon pod pokrywą palnika) należy wyłączyć produkt, odczekać do ostygnięcia (około 5 minut), a następnie zapalić palnik ponownie. Jeśli problem cofania się płomienia nadal występuje, należy skontaktować się z lokalnym przedstawicielem firmy Campingaz®.

Możliwe usterki	Możliwe powody usterek / Działania naprawcze
Palnik nie zapala się	<ul style="list-style-type: none">• Zły dopływ gazu• Zawór redukcyjny nie działa• Zatkany waz, kurek, zwężka Venturiego lub otwory palnika.
Przerywany płomień palnika lub gaśnięcie palnika	<ul style="list-style-type: none">• Sprawdzić czy jest gaz• Sprawdzić podłączenie węża• Oddać do serwisu
Niestabilne płomienie	<ul style="list-style-type: none">• Nowa butla mogąca zawierać powietrze. Uruchomić i pozostawić na jakiś czas a problem zniknie• Pozostałości wody po myciu palnika lub napełnianiu/opróżnianiu miski. Uruchomić i pozostawić na jakiś czas a problem zniknie.• Oddać do serwisu
Duży płomień na powierzchni palnika	<ul style="list-style-type: none">• Zatkana zwężka Venturiego (np.: przez pajęczynę). Wyczyścić zwężkę Venturiego.• Oddać do serwisu
Płomień na poziomie wtryskiwacza	<ul style="list-style-type: none">• Prawie pusta butla• Wymiana butli rozwiąże problem• Oddać do serwisu
Palący się wyciek wokół złącza	<ul style="list-style-type: none">• Natychmiast odłączyć dopływ gazu• Wyciek na złączu: dokręcić nakrętki lub wymienić rurę• Oddać do serwisu
Niedostateczne ciepło	<ul style="list-style-type: none">• Zatkany wtryskiwacz lub zwężka Venturiego• Oddać do serwisu
Płonący wyciek za przyciskiem regulacji	<ul style="list-style-type: none">• Uszkodzony kurek• Wyłączyć urządzenie• Oddać do serwisu

ΟΔΗΓΙΕΣ ΧΡΗΣΗΣ

ΕΠΙΣΗΜΑΝΣΗ: Εκτός εάν ορίζεται διαφορετικά, οι ακόλουθοι γενικοί όροι "συσκευή / μονάδα / προϊόν / εξοπλισμός / μηχανήμα" που εμφανίζονται στο παρόν ενχειρίδιο οδηγιών χρήσης, αναφέρονται στο προϊόν "360 Grill CV".

Ισχύς: 160 g/h (2.2 kW)-εγχυτήρας νούμερο 79

ΚΑΤΗΓΟΡΙΑ: απευθείας πίεση βουτανίου.

Σας ευχαριστούμε που επιλέξατε αυτό το προϊόν της Campinggaz®.

A - ΣΗΜΑΝΤΙΚΟ: ΑΣΚΕΙΤΕ ΠΑΝΤΑ ΠΡΟΣΟΧΗ ΟΤΑΝ ΧΡΗΣΙΜΟΠΟΙΕΙΤΕ ΑΕΡΙΟ!

- Σκοπός των παρόντων οδηγιών είναι να σας δώσουν τη δυνατότητα να χρησιμοποιείτε το 360 Grill CV της Campinggaz® σωστά και με ασφάλεια.
- Διαβάστε τις προσεκτικά για να εξοικειωθείτε με τη συσκευή πριν από την τοποθέτηση του φιαλιδίου αερίου.
- Να ακολουθείτε πάντα τις οδηγίες και τα μέτρα ασφαλείας που τυπώνονται επάνω στα φιαλίδια Campinggaz® CV 470 PLUS. Αν δεν ακολουθήσετε αυτές τις οδηγίες, ενδέχεται να προκύψουν κίνδυνοι για τον χρήστη και τα άτομα στο άμεσο περιβάλλον του/ της.
- Διατηρείτε αυτές τις οδηγίες σε ασφαλή μέρος, ώστε να μπορείτε να ανατρέξετε σε αυτές όταν χρειάζεται.
- Αυτή η συσκευή πρέπει να χρησιμοποιείται αποκλειστικά με φιαλίδια Campinggaz® CV 470 PLUS. Η χρήση άλλων φιαλιδίων αερίου μπορεί να είναι επικίνδυνη.
- Η Société Application Des Gaz δεν φέρει ευθύνη όταν χρησιμοποιούνται φιαλίδια οποιασδήποτε άλλης μάρκας.
- Αυτή η σχάρα πρέπει να χρησιμοποιείται μόνο σε εξωτερικούς χώρους και μακριά από εύφλεκτα υλικά.
- Μην χρησιμοποιείτε συσκευές που παρουσιάζουν διαρροή, βλάβη ή σφάλμα λειτουργίας. Αυτές οι συσκευές πρέπει να επιστρέφονται στον αντιπρόσωπο, ο οποίος θα σας ενημερώσει σχετικά με το κοντινότερο σε εσάς κέντρο σέρβις.
- Μην τροποποιείτε ποτέ αυτή τη συσκευή και μην την χρησιμοποιείτε για σκοπούς άλλους εκτός αυτών για τους οποίους προορίζεται. Οποιαδήποτε τροποποίηση στη συσκευή μπορεί να αποβεί επικίνδυνη.
- Μην χρησιμοποιείτε αυτή τη συσκευή μέσα σε τροχοδρόμια, αυτοκίνητα, σκηνές, καλύβες, υπόστεγα ή οποιαδήποτε άλλη μικρή, κλειστή τοποθεσία.
- Η συσκευή δεν πρέπει να χρησιμοποιείται ενώ κοιμάστε ή να λειτουργεί χωρίς επίβλεψη.
- Όλες οι συσκευές που λειτουργούν με αέριο καταναλώνουν οξυγόνο και εκπέμπουν άλλες, δυνητικά επικίνδυνες ουσίες και αέρια, όπως μονοξείδιο του άνθρακα (CO).
- Το μονοξείδιο του άνθρακα είναι ένα διαφανές αέριο χωρίς οσμή που μπορεί να προκαλέσει συμπτώματα γρίπης, ναυτία, ασθένεια και ενδεχομένως θάνατο εάν παραχθεί μέσα σε κλειστές τοποθεσίες από τη χρήση της συσκευής χωρίς τον απαιτούμενο αερισμό.

B - Η ΣΥΣΚΕΥΗ ΣΑΣ

Άνοιγμα συσκευασίας και έλεγχος συσκευής (Εικ. 1Α & 1Β)

- | | |
|-------------------------|-----------------------------------|
| (1) Πλαστικό καπάκι | (7) Ρυθμιστής |
| (2) Πλάκα ψησίματος | (8) Στήριγμα δοχείου |
| (3) Διαχυτής θερμότητας | (9) Περιστροφόμενο κουμπί ελέγχου |
| (4) Στήριγμα σκεύους | (10) Κουμπί κλειδώματος |
| (5) Δεξαμενή νερού | (16) Θήκη μεταφοράς |
| (6) Βάση | |

C - ΤΟΠΟΘΕΤΗΣΗ ΕΝΟΣ ΦΙΑΛΙΔΙΟΥ CAMPINGGAZ® CV 470 PLUS

(Αν το υπάρχουν φιαλίδιο είναι άδειο, διαβάστε την ενότητα G, "Αφαίρεση του φιαλιδίου").

Για να τοποθετήσετε ή να αφαιρέσετε ένα φιαλίδιο, να εργάζεστε πάντα σε καλά αεριζόμενο χώρο, κατά προτίμηση σε εξωτερικό χώρο, σε μεγάλη απόσταση από άλλα άτομα και εύφλεκτα υλικά, ποτέ κοντά σε ανοικτή φλόγα ή πηγή θερμότητας ή ανάφλεξης (τσιγάρα, ηλεκτρικός εξοπλισμός κλπ.).

ΚΑΘΩΣ ΤΑ ΦΙΑΛΙΔΙΑ CAMPINGGAZ® CV 470 PLUS ΛΕΙΤΟΥΡΓΟΥΝ ΜΕ ΒΑΛΒΙΔΑ, ΜΠΟΡΕΙΤΕ ΝΑ ΤΑ ΑΠΟΣΥΝΔΕΣΕΤΕ ΑΠΟ ΤΟΝ ΕΞΟΠΛΙΣΜΟ, ΝΑ ΤΑ ΜΕΤΑΦΕΡΕΤΕ ΕΥΚΟΛΑ (ΑΚΟΜΗ ΚΑΙ ΧΩΡΙΣ ΝΑ ΕΙΝΑΙ ΑΔΕΙΑ) ΚΑΙ ΝΑ ΤΟΠΟΘΕΤΗΣΟΥΝ ΣΕ ΑΛΛΕΣ ΣΥΣΚΕΥΕΣ ΤΗΣ CAMPINGGAZ® ΤΗΣ ΣΕΙΡΑΣ CV 470 PLUS ΠΟΥ ΕΧΟΥΝ ΣΧΕΔΙΑΣΤΕΙ ΓΙΑ ΧΡΗΣΗ ΑΠΟΚΛΕΙΣΤΙΚΑ ΜΕ ΑΥΤΑ ΤΑ ΦΙΑΛΙΔΙΑ.

1. Στρέψτε το κουμπί ελέγχου δεξιόστροφα στην κλειστή θέση (O) μέχρι να σταματήσει. (Εικ. 7Α)
2. Βιδώστε προσεκτικά το φιαλίδιο αερίου στρέφοντάς το δεξιόστροφα μέχρι να ακουστεί ένας ήχος κλικ (περίπου ένα έκτο της στροφής). Μην ασκείτε πίεση στο φιαλίδιο για να στραφεί περισσότερο, διότι μπορεί να προκληθεί βλάβη στην βαλβίδα του φιαλιδίου. (Εικ. 7Β)

Σε περίπτωση διαρροής (οσμής αερίου πριν να ανοίξετε την παροχή), βγάλτε αμέσως τη συσκευή σε εξωτερική, καλά αεριζόμενη τοποθεσία όπου δεν υπάρχουν πηγές ανάφλεξης, για να εντοπίσετε και να σταματήσετε την διαρροή. Εάν επιθυμείτε να ελέγξετε τη συσκευή σας για διαρροές, κάντε το σε εξωτερικό χώρο. Μην προσπαθήσετε να εντοπίσετε διαρροές κάνοντας χρήση φλόγας, αλλά σαπουνόνεου.

D - ΕΛΕΓΧΟΣ ΓΙΑ ΔΙΑΡΡΟΕΣ ΑΕΡΙΟΥ

1. Κρατήστε μακριά από εύφλεκτα υλικά, μην καπνίζετε κοντά στη συσκευή.
2. Βεβαιωθείτε ότι το κουμπί ελέγχου είναι στη θέση «OFF» (O).
3. Τοποθετήστε τον ρυθμιστή στην κασέτα αερίου (βλ. Παράγραφο Γ).
4. Ποτέ μην χρησιμοποιείτε φλόγα για τον εντοπισμό διαρροής αερίου. Χρησιμοποιήστε διάλυμα διαρροής αερίου.
5. Εφαρμόστε το διάλυμα στις συνδέσεις μεταξύ δοχείου / ρυθμιστή / εύκαμπτου σωλήνα / συσκευής (Εικ. 14).
6. Ανοίξτε τη βαλβίδα ρύθμισης (7) (Εικ. 1Β) γυρίζοντας αριστερόστροφα από - σε + (Το κουμπί ελέγχου πρέπει να παραμείνει στη θέση «OFF» (O)). Οι φυσαλίδες στο διάλυμα εντοπισμού διαρροών αερίου υποδεικνύουν αν υπάρχει διαρροή αερίου.
7. Κλείστε τη βαλβίδα του ρυθμιστή.
8. Η σχάρα δεν πρέπει να χρησιμοποιείται έως ότου να σταματήσει η διαρροή.
9. Αποσυνδέστε το ρυθμιστή από το φυσίγγιο και επικοινωνήστε με την τοπική υπηρεσία εξυπηρέτησης πελατών μετά την πώληση για βοήθεια.

Σημαντικό: Ελέγξτε για διαρροές τουλάχιστον μία φορά το χρόνο και κάθε φορά που αντικαθίσταται το φυσίγγιο αερίου.

Ε - ΠΡΟΕΤΟΙΜΑΣΙΑ ΓΙΑ ΧΡΗΣΗ

360 Grill:

A - Πλαστικό κατάκι:

Το πλαστικό κατάκι τοποθετείται πάνω από την εστία και κλείνει με ειδικά κουμπύματα(Εικ. 2). Προστατεύει τα εσωτερικά μέρη της συσκευής κατά τη μεταφορά. Αφαιρέστε το πριν από τη χρήση.

B - Χρήση της δεξαμενής νερού:

Τοποθετήστε τη συσκευή σε επίπεδο έδαφος. Γεμίστε τη δεξαμενή με νερό μέχρι την ένδειξη MAX. (Εικ. 3A) Φροντίστε να μη πέσει νερό πάνω στον καυστήρα.

Μετά από κάθε χρήση, μπορείτε να αποσυνδέσετε τη δεξαμενή νερού για να απορρίψετε το νερό με το λίπτος και να την καθαρίσετε. Μπορείτε να χρησιμοποιήσετε σφουγγάρι σε συνδυασμό με ένα μαλακό απολυμαντικό προϊόν ή να πλύνετε τη δεξαμενή στο πλυντήριο πιάτων.

Αποσυνδέστε τη δεξαμενή νερού τραβώντας το κουμπί κλειδώματος (10). Αφαιρέστε τη δεξαμενή τραβώντας την προς τα πάνω διατηρώντας παράλληλα το κουμπί τραβηγμένο μέχρι το τέρμα. (Εικ. 3B)

Μετά τον καθαρισμό, τοποθετήστε τη δεξαμενή στη θέση της:

1- Τραβήξτε το κουμπί κλειδώματος (10) (Εικ. 3C)

2- Ευθυγραμμίστε το παράθυρο που σας επιτρέπει να δείτε τη φλόγα (11) με το περιστρεφόμενο κουμπί ελέγχου (9). Οι εγκοπές (12) της βάσης της δεξαμενής πρέπει να είναι ευθυγραμμισμένες με τον άξονα ασφάλισης (13) (Εικ. 3D)

3- Τοποθετήστε τη δεξαμενή πάνω στο στήριγμά της

4- Αφήστε το κουμπί για να ασφαλίσετε τη δεξαμενή (Εικ. 3E)

Γεμίστε τη δεξαμενή με νερό μέχρι τη ρύθμιση ΜΕΓΙΣΤΟ (MAX) εάν θέλετε να τη χρησιμοποιήσετε ξανά. (Εικ. 3A)

C - Στήριγμα σκεύους:

Τοποθετήστε το στήριγμα σκεύους στη θέση του. Φροντίστε να εισαγάγετε τις 3 εγκοπές της βάσης του στις 3 υποδοχές στο κέντρο της εστίας. Η περιστροφή του στηρίγματος είναι κλειδωμένη. Η συσκευή σας μπορεί τώρα να χρησιμοποιηθεί ως φούρνος. (Εικ. 4)

D - Διαχυτής θερμότητας:

Τοποθετήστε τον διαχυτή θερμότητας στο πάνω μέρος των βραχιόνων του στηρίγματος σκεύους ευθυγραμμίζοντας τις εγκοπές των 3 στηρίγματων του με κάθε βραχίονα του στηρίγματος. (Εικ. 5)

E - Πλάκα ψησίματος:

Τοποθετήστε την πλάκα ψησίματος πάνω στα 3 στηρίγματά της, πάνω από την εστία, φροντίζοντας να τοποθετήσετε την επιφάνεια της προτίμησής σας από πάνω. (Εικ. 6A& 6B)

Στήριγμα δοχείου:

Η συσκευή σας διατίθεται με ένα στήριγμα δοχείου. Το στήριγμα αυτό σας επιτρέπει να στερεώσετε το δοχείο στην άκρη του τραπέζιου. Με τον τρόπο αυτό, το δοχείο τοποθετείται πολύ μακριά από την πηγή θερμότητας διατηρώντας παράλληλα την επιφάνεια του τραπέζιου ελεύθερη.

- Τοποθετήστε τη συσκευή σας στο κέντρο και ζετιλίξτε το λάστιχο μέχρι την άκρη του τραπέζιου.

- Στερεώστε το στήριγμα δοχείου στην άκρη του τραπέζιου. Το μήκος του ρυθμιστικού κοχλία καθιστά δυνατή την προσαρμογή στα περισσότερα τραπέζια. (Εικ. 8)

Ξεβιδώστε τον ρυθμιστικό κοχλία (14) έτσι ώστε η απόσταση μεταξύ των 2 ελαστικών επιθεμάτων να ανταποκρίνεται στο πάχος του πλαισίου του τραπέζιού σας (Εικ. 9A), προσαρμόστε το στήριγμα στην άκρη του τραπέζιού σας κι έπειτα βιδώστε για να στερεώσετε το στήριγμα με ασφάλεια

στο τραπέζι. (Εικ. 9B)

- Σύρετε το χειριστήριο (15) προς τα πάνω και εισαγάγετε τον ρυθμιστή στο αντίστοιχο περιβλήμα. (Εικ. 10A & 10B)

- Αφήστε το χειριστήριο να κατέβει. Ο ρυθμιστής διατηρείται έτσι στη θέση του χάρη στο ελατήριο. (Εικ. 10C)

- Βεβαιωθείτε ότι ο σωλήνας ξεδιπλώνεται ομαλά, χωρίς να τον κμπίπετε ή να τον τραβάτε, και ότι δεν βρίσκεται σε επαφή με ζεστές επιφάνειες της συσκευής. (Εικ. 11) Μην τραβάτε ή σβίριβε τον σωλήνα.

ΠΡΟΦΥΛΑΞΕΙΣ ΑΣΦΑΛΕΙΑΣ

Μη χρησιμοποιείτε τη συσκευή σας σε απόσταση μικρότερη των 20 εκατοστών από έναν τοίχο ή εύφλεκτο αντικείμενο.

Τοποθετείτε τη συσκευή σε σταθερή, οριζόντια επιφάνεια και μην τη μετακινείτε κατά τη χρήση για να αποφύγετε την παραγωγή μεγάλης φλόγας ως αποτέλεσμα της καύσης του υγρού βουτανίου, αντί για εξαρτισμένο βουτάνιο. Αν συμβεί κάτι τέτοιο, σβήστε τη συσκευή με το κουμπί ελέγχου και επανατοποθετήστε τη συσκευή.

Μη χρησιμοποιείτε δοχείο μαγειρέματος μικρότερο από 12 εκ. ή μεγαλύτερο από 26 εκ. σε διάμετρο.

Πριν ανάψετε τη συσκευή σε λειτουργία Grill ή Plancha, βεβαιωθείτε ότι η στάθμη νερού της δεξαμενής βρίσκεται στο επίπεδο MAXI.

Προστατεύστε τη συσκευή σας από τον αέρα για αυξημένη απόδοση.

Μην αφήνετε ποτέ το πιάτο στη φωτιά χωρίς τρόφιμα για περισσότερο από ένα λεπτό (εκτός από την αρχική περίοδο προθέρμανσης) διαφορετικά η ειδική επίστρωση θα υποστεί ζημιά.

Για να μην καταστρέψετε την αντικολητική επίστρωση, χρησιμοποιήστε πάντα μαγειρικά σκεύη από σιλκόνη ή ξύλο για να χειρίζεστε τα πιάτα σας.

Για να προετοιμάσετε τη συσκευή για αποθήκευση, περιμένετε έως ότου να έχει κρυώσει εντελώς.

Προσοχή: Ορισμένα εξαρτήματα θερμαίνονται πάρα πολύ. Φροντίστε να απομακρύνετε τα μικρά παιδιά από τη συσκευή.

Συνιστούμε να φοράτε προστατευτικά γάντια κατά τον χειρισμό εξαρτημάτων καθώς μπορεί να είναι πολύ ζεστά.

Μην χρησιμοποιείτε ποτέ τη συσκευή πριν την προσεκτική ανάγνωση και κατανόηση των οδηγιών. Επιπλέον, βεβαιωθείτε ότι:

- δεν υπάρχουν διαρροές.

- βεβαιωθείτε ότι ο σωλήνας του καυστήρα δεν είναι φραγμένος (από ιστούς αράχνης κλπ.).

- ο εύκαμπτος σωλήνας δεν αγγίζει εξαρτήματα που ενδέχεται να ζεσταθούν.

Σημαντικό: ελέγξτε την ύπαρξη φλόγας μέσα από το παράθυρο που βρίσκεται πάνω στην εστία, πάνω από το κουμπί ελέγχου (11) (Εικ. 1A). Σε περίπτωση που ο καυστήρας σβήσει κατά το ψήσιμο, κλείστε αμέσως τη βαλβίδα και περιμένετε 5 λεπτά για να εξατμιστεί το αέριο. Ανάψτε και πάλι τη συσκευή στη συνέχεια.

F - ΧΡΗΣΗ

ΑΝΑΜΜΑ ΤΟΥ ΚΑΥΣΤΗΡΑ

Πιεζοανάφλεξη (Εικ. 12)

1. Ανοίξτε την παροχή αερίου στρέφοντας τη βαλβίδα του ρυθμιστή προς τη φορά της ένδειξης "+". (Εικ. 12Α)
2. Στρέψτε το κουμπί ελέγχου αριστερόστροφα (προς το "☀️") ώστε να είναι τελείως ανοικτό. Περιμένετε 3 δεύτ. για να γεμίσει το κύκλωμα και πιέστε το κουμπί τέρμα μέχρι να ακουστεί ένα κλικ.
3. Αν χρειαστεί, επαναλάβετε την πίεση 3 ή 4 φορές μέχρι να ανάψει ο καυστήρας (ελέγξτε τη φλόγα μέσα από τη θυρίδα παρακολούθησης (11) στην μπροστινή όψη του νεπεζότιπου).
4. Αν δεν ανάψει ο καυστήρας, στρέψτε το κουμπί ελέγχου δεξιόστροφα στη σβηστή θέση (O) μέχρι να σταματήσει. Περιμένετε 5 λεπτά πριν επαναλάβετε την διαδικασία.
5. Αν ο καυστήρας δεν ανάψει μετά από την δεύτερη απόπειρα, μπορείτε να Α. προσπαθήσετε να τον ανάψετε με σπρίτο σύμφωνα με την επόμενη ενότητα, ή Β. Ανατρέξτε στην ενότητα I. Επίλυση προβλημάτων.

Ανάφλεξη με σπρίτο (Εικ. 13):

1. Ανοίξτε την παροχή αερίου στρέφοντας τη βαλβίδα του ρυθμιστή προς τη φορά της ένδειξης "+". (Εικ. 13Α)
2. Εάν χρειαστεί, αφαιρέστε την πλάκα ψησίματος και τοποθετήστε ένα αναμμένο σπρίτο δίπλα στον καυστήρα.
3. Περιστρέψτε το κουμπί ελέγχου προς τη χαμηλή ένταση 0.
4. Ελέγξτε αν δημιουργήθηκε φλόγα κοιτάζοντας μέσα από το παράθυρο (11).
5. Τοποθετήστε την πλάκα ψησίματος στη θέση της.
6. Αυξήστε την ένταση της φωτιάς περιστρέφοντας το κουμπί αριστερόστροφα, μέχρι τη ρύθμιση ☀️.

ΜΑΓΕΙΡΕΜΑ

A - Χρήση της συσκευής ως ψησταριά

1. Βεβαιωθείτε ότι η στάθμη του νερού στη δεξαμενή αντιστοιχεί στην ένδειξη "MAXI" και ότι το στήριγμα σκεύους και ο διαχυτής θερμότητας είναι τοποθετημένα όπως περιγράφεται στην ενότητα E.
2. Προθερμαίνετε την πλάκα μαγειρέματος για περίπου 10 λεπτά στη μέγιστη ισχύ ώστε να φτάσει τη ιδανική θερμοκρασία για μαγείρεμα. Τοποθετήστε τα υλικά στην πλάκα και ρυθμίστε τη θερμότητα με το κουμπί ελέγχου, ανάλογα με τις προτιμήσεις σας.
3. Μετά από 1 ώρα χρήσης, ελέγξτε την ποσότητα του νερού στη δεξαμενή. Προσθέστε νερό μέχρι την ένδειξη MAX εάν χρειαστεί.

Η μαγειρική πλάκα διαθέτει μια επικάλυψη με αντικολλητικό υλικό υψηλής ποιότητας που σας εξασφαλίζει υγιεινό μαγείρεμα χωρίς την προσθήκη λιπαρών ουσιών ή λαδιού.

Οι λιπαρές ουσίες συσσωρεύονται στο νεπεζότιο νερού, το γεύμα σας είναι ιδανικά υγιεινό (χωρίς υπόλοιπα ή απανθρακωμένα λιπαρά) και τα τρόφιμα διατηρούν όλη τους τη γεύση.

Μια μπλε απόχρωση στη μαγειρική πλάκα οφείλεται στην έντονη θερμότητα που αναπτύσσεται. Δεν έχει κανένα αντίκτυπο στην ποιότητα του υλικού που χρησιμοποιείται.

B - Χρήση της συσκευής ως εστία

ΣΗΜΑΝΤΙΚΟ: Η μαγειρική πλάκα πρέπει να αφαιρείται όταν κάνετε χρήση της συσκευής ως εστία. Μην τοποθετείτε ποτέ μαγειρικά σκεύη πάνω στην πλάκα ψησίματος ή στον διαχυτή θερμότητας.

Τοποθετήστε ένα μαγειρικό σκεύος (τηγάνι, κατσαρόλα...) επάνω στη σχάρα, ακριβώς επάνω από τον καυστήρα.

Βεβαιωθείτε ότι η φλόγα δεν υπερβαίνει τον πάτο του μαγειρικού σκεύους.

Μη χρησιμοποιείτε δοχείο μαγειρέματος μικρότερο από 12 εκ. ή μεγαλύτερο από 26 εκ. σε διάμετρο.

ΣΒΗΣΙΜΟ

Στρέψτε το κουμπί ελέγχου δεξιόστροφα στην κλειστή θέση (O) μέχρι να σταματήσει.

G - ΑΦΑΙΡΕΣΗ ΤΟΥ ΦΙΑΛΙΔΙΟΥ

Μπορείτε να αφαιρέσετε το φιαλίδιο ακόμη κι αν δεν έχει αδειάσει.

1. Στρέψτε το κουμπί ελέγχου δεξιόστροφα στην κλειστή θέση (O) μέχρι να σταματήσει.
2. Περιμένετε μέχρι να κρυώσει η συσκευή.
3. Ενώ κρατάτε τον ρυθμιστή, ξεβιδώστε το φιαλίδιο αερίου στρέφοντάς το αριστερόστροφα μέχρι να ακουστεί ένας ήχος κλικ (περίπου ένα έκτο της στροφής) και έπειτα αφαιρέστε το.
4. Μην πετάτε ποτέ ένα φιαλίδιο που δεν έχει αδειάσει εντελώς. Βεβαιωθείτε ότι δεν έχει μείνει καθόλου υγρό στο φιαλίδιο κουνώντας το.

H - ΣΥΝΤΗΡΗΣΗ ΚΑΙ ΑΠΟΘΗΚΕΥΣΗ

Εάν συντηρείτε σωστά τη συσκευή σας, θα είστε σε θέση να απολαμβάνετε την χρήση της για πολλά χρόνια.

- Μην καθαρίζετε τη συσκευή την ώρα του ψησίματος. Περιμένετε μέχρι να κρυώσει για να αποφύγετε καψίματα από την επαφή με τα ζεστά μέρη (πλάκα ψησίματος, πλέγμα, σχάρα ψησίματος, δοχείο νερού κλπ.).
- Μόλις κρυώσει η συσκευή (περίπου 15 λεπτά), απομακρύνετε την πλάκα ψησίματος, τον διαχυτή θερμότητας και το στήριγμα σκεύους. Ξεκλειδώστε τη δεξαμενή από τη βάση σύμφωνα με την ενότητα E. Αδειάστε το νερό.
- Καθαρίστε τους λιπαρούς λεκέδες με σαπουνόνερο ή μη επιθετικό απορρυπαντικό.
- Για πιο εύκολο καθαρισμό, μπορείτε να πλύνετε το καπάκι, την πλάκα ψησίματος, τη δεξαμενή και το στήριγμα σκεύους στο πλυντήριο πιάτων.
- Κατά τον καθαρισμό της συσκευής προσέξτε να μην φράξετε τις οπές του καυστήρα. Στην περίπτωση που αυτές φράξουν, από υπολείμματα φαγητού για παράδειγμα, καθαρίστε τις με μια μη-μεταλλική βούρτσα.
- Μετά τον καθαρισμό, συναρμολογήστε πάλι τα αφαιρούμενα μέρη της συσκευής, τοποθετήστε το καπάκι στη θέση του και κλείστε το, πιέζοντας τα 3 κλιπ. (Εικ. 2)
- Αποθηκεύετε τη μονάδα σε ασφαλή, ξηρή τοποθεσία, μακριά από παιδιά και όχι σε καλάρι.
- Εάν δεν σκοπεύετε να χρησιμοποιήσετε την συσκευή για μεγάλο χρονικό διάστημα, αποσυνδέστε τη φιάλη όπως περιγράφεται στην παράγραφο G.
- Εάν η συσκευή δεν έχει χρησιμοποιηθεί για διάστημα μεγαλύτερο των 30 ημερών, πριν από τη χρήση, ελέγξτε μήπως οι οπές υποδοχής σωλήνα του καυστήρα είναι φραγμένες από ιοτούς αράχνης, καθώς κάτι τέτοιο ενδέχεται να προκαλέσει μείωση της απόδοσης του ή επικίνδυνη ανάφλεξη του αερίου εκτός του καυστήρα.
- Αποθηκεύστε τη συσκευή σας στη θήκη της (16). Η θήκη σας επιτρέπει να μεταφέρετε τη συσκευή σας εύκολα και να την προστατεύετε από τη σκόνη.

I - ΠΙΘΑΝΑ ΠΡΟΒΛΗΜΑΤΑ / ΔΙΟΡΘΩΤΙΚΕΣ ΕΝΕΡΓΕΙΕΣ

Σε περίπτωση επιστροφής της φωτιάς (ανάφλεξη κάτω από το καπάκι του καυστήρα) απενεργοποιήστε το προϊόν, αφήστε το να κρυώσει (περίπου πέντε λεπτά) και στη συνέχεια ενεργοποιήστε ξανά τη συσκευή. Εάν το πρόβλημα της επιστροφής της φωτιάς παραμένει, επικοινωνήστε με τον τοπικό αντιπρόσωπο της Campingaz®.

Πιθανά προβλήματα	Πιθανά αίτια / Διορθωτικές ενέργειες
Ο καυστήρας δεν ανάβει.	<ul style="list-style-type: none">• Ελλιπής παροχή αερίου.• Ο ρυθμιστής δεν λειτουργεί σωστά.• Ο σωλήνας, οι βαλβίδες, ο σωλήνας βεντούρι (venturi) ή οι σπές του καυστήρα ενδέχεται να έχουν φράξει. Καθαρίστε τον σωλήνα βεντούρι.
Ο καυστήρας δεν καίει ομοιόμορφα ή σβήνει.	<ul style="list-style-type: none">• Βεβαιωθείτε πως υπάρχει αέριο.• Ελέγξτε τη σύνδεση του σωλήνα.• Επικοινωνήστε με τον τεχνικό σας.
Ασταθείς ανατινάξεις φλόγας.	<ul style="list-style-type: none">• Η καινούρια φιάλη ενδέχεται να περιέχει αέρα. Αφήστε τη συσκευή να λειτουργήσει και το πρόβλημα θα λυθεί από μόνο του.• Υπολείμματα νερού μετά το πλύσιμο του καυστήρα ή το γέμισμα/ άδειασμα της δεξαμενής. Αφήστε τη συσκευή να λειτουργήσει και το πρόβλημα θα λυθεί από μόνο του.• Επικοινωνήστε με τον τεχνικό σας.
Μεγάλη φλόγα στην επιφάνεια του καυστήρα.	<ul style="list-style-type: none">• Ο βεντούρι είναι φραγμένος (πιθανώς από ιστούς αράχνης).• Επικοινωνήστε με τον τεχνικό σας.
Φλόγα στον εγχυτήρα.	<ul style="list-style-type: none">• Η φιάλη είναι σχεδόν άδεια.• Αντικαταστήστε την φιάλη και το πρόβλημα θα λυθεί από μόνο του.• Επικοινωνήστε με τον τεχνικό σας.
Φλεγόμενη διαρροή γύρω από κάποια ένωση.	<ul style="list-style-type: none">• Κλείστε αμέσως την παροχή αερίου.• Διαρροή στις ενώσεις: σφίξτε τα παξιμάδια ή αλλάξτε τον σωλήνα.• Επικοινωνήστε με τον τεχνικό σας.
Ανεπαρκής θερμότητα.	<ul style="list-style-type: none">• Ο εγχυτήρας ή ο βεντούρι είναι φραγμένοι. Καθαρίστε τον βεντούρι.• Επικοινωνήστε με τον τεχνικό σας.
Φλεγόμενη διαρροή πίσω από τον διακόπτη ρύθμισης.	<ul style="list-style-type: none">• Ελαττωματική βαλβίδα.• Κλείστε τον φούρνο.• Επικοινωνήστε με τον τεχνικό σας.

NÁVOD NA POUŽITÍ

POZNÁMKA: Jestliže není uvedeno jinak, následující obecné termíny: přístroj / jednotka / výrobek / zařízení v tomto návodu všechny poukazují na výrobek 360 Grill CV.

Výkon: 160 g/hod (2.2 kW)-tryska n° 79

KATEGORIE: pøímý tlak-butan

Děkujeme Vám za výběr produktu Campinggaz®.

A - DÙLEŽITÉ UPOZORNÈNÍ : PRACUJETE S PLYNEM, DBEJTE PROTO ZVÝŠENÈ OPATRNOSTI !

- Účelem těchto pokynů je umožnit správné a bezpečné použití Campinggaz® 360 Grill CV.
- Pečlivě si je přečtete, abyste se obeznámili se spotřebičem před sestavením plynové kartuše.
- Důsledně dodržujte provozní a bezpečnostní pokyny uvedené v tomto Návodu k použití. Dodržujte rovněž instrukce uvedené na vyměnitelných plynových kartuších CAMPINGGAZ® CV 470 PLUS. Nedodržení zásad bezpečnosti při manipulaci s přístrojem nebo plynovou lahví může být nebezpečné nejen pro Vás, ale i pro Vaše okolí.
- Ponechte si tento Návod k použití na dosah, abyste se k němu mohli v případě potřeby kdykoliv vrátit.
- Tento spotřebič se smí používat pouze s kartuší Campinggaz® CV 470 PLUS. Použití jiných kartuší může být nebezpečné.
- Firma "Camping Gaz CS" nepřebírá odpovědnost za škody způsobené při používání vařiče ve spojení s jiným typem plynových kartuší.
- Tento gril by se měl používat pouze venku a mimo dosah hořlavých materiálů.
- Nepoužívejte spotřebič, který je netěsný, poškozený nebo nefunguje správně. Obratě se na svého prodejce, který vás bude informovat o nejbližším servisu.
- Nikdy neupravujte tento spotřebič, ani jej nepoužívejte pro jiné účely než je určený. Jakákoliv úprava spotřebiče by mohla být nebezpečná.
- Nepoužívejte tento spotřebič v karavanech, automobilech, stanech, chatách nebo jiných podobných malých uzavřených prostorech.
- Spotřebič nepoužívejte, když spíte, a nenechávejte jej bez dozoru.
- Všechny plynové spotřebiče spalují kyslík a uvolňují nebezpečné látky a plyny, například oxid uhelnatý (CO).
- Oxid uhelnatý, bez barvy a zápachu, může způsobovat nevolnost s příznaky podobající se chřipce, a dokonce i smrt, pokud je přístroj používán v místnosti bez náležitého větrání.

B - VÁŠ SPOTŘEBIČ

Vybalte a odkryjte svůj spotřebič (Obr. 1A a 1B)

- | | |
|-----------------------|----------------------|
| (1) Plastové víko | (7) Regulátor |
| (2) Grilovací deska | (8) Držák kartuše |
| (3) Rozptylovač tepla | (9) Ovládací knoflík |
| (4) Podpěra pánve | (10) Tlačítko zámku |
| (5) Nádržka na vodu | (16) Přenosná taška |
| (6) Základna | |

C - NASAZENÍ PLYNOVÈ KARTUŠE CAMPINGGAZ® CV 470 PLUS NA VAŘIČ

(Pokud pouze vyměňujete prázdnou kartuši za plnou, přečtete si kapitolu G : "SEJMUTÍ PLYNOVÈ KARTUŠE").

Při instalaci nebo výměně kartuše pracujte vždy na dobře větraném místě, pokud možno venku, nikdy blízko otevřeného ohně, zdroje tepla nebo jisker (cigareta nebo elektrické přístroje apod.) a stranou od lidí a hořlavých materiálů.

PLYNOVÈ KARTUŠE CAMPINGGAZ® CV 470 PLUS JSOU VYBAVENY VENTILEM A MOHOU BÝT SEJMUTY Z PLYNOVÈHO SPOTŘEBIČE, I KDYŽ NEJSOU PRAZDNÈ A OPÈT NAMONTOVÁNY NA JINÝ SPOTŘEBIČ ZNAČKY CAMPINGGAZ® TYPOVÈ ŘÁDY CV 470 PLUS. PLYNOVÈ SPOTŘEBIČE ŘADY CAMPINGGAZ® SMÍ BÝT UVÁDÈNY DO PROVOZU POUZE VE SPOJENÍ S PLYNOVÝMI KARTUŠEMI CAMPINGGAZ®. ZAMEZTE PŘÍSTUPU MALÝCH DÈTÍ KE SPOTŘEBIČI.

1. Otáčejte ovládacím knoflíkem ve směru hodinových ručiček do polohy vypnuto (O), dokud se nezastaví. (Obr. 7A)
2. Jemně našroubujte plynovou kazetu jeho otáčením ve směru hodinových ručiček, dokud neuslyšíte kliknutí (cca po 1/6 otáčky). Po tomto cvaknutí už kartuši dál nešroubujte silou, mohli byste poškodit její ventil. (Obr. 7B)

V případě úniku (zápach plynu před otočením kohoutku) ihned přemístěte spotřebič ven na dobře větrané místo a mimo zdroje zapálení, kde může být únik lokalizován a zastaven. Pokud chcete zjistit místo úniku na svém spotřebiči, učiňte tak venku. Nezjišťujte netěsnosti plamenem, použijte mýdlovou vodu.

D - KONTROLA ÚNIKU PLYNU

1. Nepřiblížte se k hořlavým materiálům, v blízkosti spotřebiče nekuřte.
2. Ujistěte se, že ovládací knoflík je v poloze „OFF“ (O).
3. Nasadte regulátor na plynovou kartuši (viz kapitola C).
4. Ke zjištění úniku plynu nikdy nepoužívejte plamen. Na zjištění úniku plynu použijte roztok.
5. Roztok naneste na spoje mezi kartuší / regulátorem / hadicí / spotřebičem (Obr. 14).
6. Otevřete regulační ventil (7) (Obr. 1B) otáčením proti směru hodinových ručiček z polohy - na + (regulační knoflík by měl zůstat v poloze „OFF“ (O)). Bublinky v detekčním roztoku signalizují, zda plyn uniká.
7. Ventil regulátoru zavřete.
8. Gril se nesmí používat, dokud nebudou odstraněny všechny netěsnosti.
9. Odpojte regulátor od kartuše a obraťte se na místní poprodejní servis.

Důležité upozornění: Netěsnosti kontrolujte nejméně jednou za rok a při každé výměně kartuše.

E - PŘÍPRAVA K POUŽITÍ

360 gril:

A - Plastové víko:

Plastové víko je připraveno na horní straně topeniště pomocí spon (Obr. 2). Během přepravy udržuje všechny vnitřní části na místě. Před použitím ho sundejte.

B - Použití nádržky na vodu:

Postavte spotřebič na rovnou zem. Naplňte nádržku vodou až po nastavení MAX. (Obr. 3A) Dávejte pozor, aby se voda nerozliła na hořák.

Po skončení vaření můžete nádržku na vodu odpojit, abyste mohli vyliít směs vody a tuku a vyčistit ji. Můžete použít houbu napuštěnou neabrazivním čistícím prostředkem nebo dát nádržku do myčky.

Odpojte nádržku na vodu zatažením za tlačítko zámku (10). Držte tlačítko vytážené až na doraz, vyjměte nádržku pohybem nahoru. (Obr. 3B)

Po vyčištění vložte nádržku zpět na základnu:

- 1- Zatahnete za tlačítko zámku (10) (Obr. 3C)
- 2- Zarovnejte okénko pro sledování plamene (11) s ovládacím knoflíkem (9). Zářezy (12) na základně nádržky musí být zarovnané se zajišťovací osou (13) (Obr. 3D)

3- Umístěte nádržku na podpěru

4- Uvolněte tlačítko, nádržka se uzamkne (Obr. 3E)

Pokud ji chcete znovu použít, naplňte nádržku vodou až do nastavení MAX. (Obr. 3A)

C - Podpěra pánve:

Umístěte podpěru pánve na místo. Dávejte pozor, abyste 3 zářezy na její základně zapadly do 3 výčnělků uprostřed topeniště. Otáčení podpěry je tak zablokováno. Váš spotřebič je připraven k použití jako sporák. (Obr. 4)

D - Rozptylovač tepla:

Umístěte rozptylovač tepla na horní část ramen podpěry pánve a zarovnejte zářezy jeho 3 podpěr s každým ramenem podpěry. (Obr. 5)

E - Grilovací deska:

Umístěte grilovací desku na její 3 podpěry na horní část topeniště a dávejte pozor, aby požadovaný povrch byl umístěn směrem nahoru. (Obr. 6A a 6B)

Držák kartuše:

Váš spotřebič je dodáván s držákem kartuše. Tento držák vám umožňuje připevnit kartuši na okraj stolu. Kartuše tak bude daleko od zdroje tepla a nebude překážet na ploše stolu.

- Umístěte spotřebič doprostřed a odvíňte hadici až k okraji stolu.

- Připevněte držák kartuše na hranu stolu. Délka stavěcího šroubu umožňuje přizpůsobení většině stolů. (Obr. 8)

Odšroubujte stavěcí šroub (14) tak, aby prostor mezi 2 gumovými podložkami odpovídal tloušťce konstrukce vašeho stolu (Obr. 9A), nasadte držák na okraj stolu a poté šroub utáhněte, aby bylo zajištěno bezpečné upevnění ke stolu. (Obr. 9B)

- Posuňte přítlačný prvek (15) směrem nahoru a zasuňte regulátor do pouzdra určeného k tomuto účelu. (Obr. 10A a 10B)

- Nechte přítlačný prvek tlačit dolů, a regulátor tak bude díky pružině udržován na místě. (Obr. 10C)

- Zkontrolujte, zda je hadice volně odvinuta, bez kroucení nebo tahu, a zda se nedotýká horkých povrchů spotřebiče. (Obr. 11) Nikdy netahejte za hadici ani ji nekruťte.

BEZPEČNOSTNÍ OPATŘENÍ

Nepoužívejte spotřebič ve vzdálenosti menší než 20 cm od zdi nebo hořlavého předmětu.

Umístěte spotřebič na stabilní, horizontální povrch a nepohybujte jím, když se používá, aby se nevytvářely velké plameny, které vznikají ze spalování kapalného butanu a ne z butanu v podobě par. Pokud k tomu dojde, vypněte jej ovládacím knoflíkem a pro spotřebič najděte novou polohu.

Nepoužívejte nádobu na vaření o průměru menším než 12 cm nebo větším než 26 cm.

Před zapálením spotřebiče v režimu Gril nebo Plancha nezapomeňte naplnit nádržku vodou na úroveň „MAXI“.

Chraňte spotřebič před větrem, jeho výkon se tím zvýší.

Grilovací rošt nikdy nenechávejte na vařiči, pokud na něm nevaříte. Doba nahřátí je zhruba 1 minuta. Mohlo by dojít k poškození speciální povrchové úpravy plotýnky.

Aby nedošlo k poškození nepřilnavého povrchu, používejte k manipulaci s nádobami vždy silikonové nebo dřevěné kuchyňské nůžičky.

Před uložením počkejte, dokud spotřebič zcela nevychladne.

Upozornění: některé části mohou být velmi horké. Udržujte malé děti mimo spotřebič.

Při manipulaci s komponenty, které mohou být velmi horké, se doporučuje používat ochranné rukavice.

Spotřebič nepoužívejte, pokud si pozorně nepřečtete návod k použití a neporozumíte mu. Kromě toho se ujistěte, že:


- nedochází k žádným únikům.
- zkontrolujte, zda trubka hořáku není ucpaná (pavučinami apod.).
- hadice se nedotýká žádných součástí, které by se mohly zahřát.

Důležité: zkontrolujte přítomnost plamene okénkem umístěným na topeništi nad ovládacím knoflíkem (11) (Obr. 1A). V případě, že hořák během grilování zhasne, okamžitě uzavřete plynový ventil a počkejte 5 minut, aby se plyn odpařil. Po uplynutí této čekací doby spotřebič znovu zapalte.


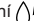
F - POUŽÍVÁNÍ

ZAPÁLENÍ HOŘÁKU

Plezo zapalování (Obr. 12)

1. Otevřete přívod plynu otočením ventilu na regulátoru do polohy „+“. (Obr. 12A)
2. Otáčejte ovládacím knoflíkem proti směru hodinových ručiček (směrem k „“), aby se zcela otevřel. Počkejte 3 sekundy, aby se okruh naplnil, a poté zcela stiskněte knoflík, dokud neuslyšíte cvaknutí.
3. Opakujte zatlačením 3 nebo 4krát, pokud to bude nezbytné, dokud hořák nebude zapálený (zkontrolujte plamen okénkem (11) na přední straně zásobníku).
4. Pokud hořák nebude hořet, otáčejte ovládacím knoflíkem ve směru hodinových ručiček do polohy vypnuto (O), dokud se nezastaví. Počkejte 5 minut před opakováním provozu.
5. Pokud se hořák nezapálí po 2. pokusu, můžete **A.** přistoupit k zapálení zápalkami v úseku pod tím nebo **B.** Přechtěte si část I Odstraňování problémů.

Zapalování zápalkou (Obr. 13):

1. Otevřete přívod plynu otočením ventilu na regulátoru do polohy „+“. (Obr. 13A)
2. Pokud je to nutné, vyjměte grilovací desku a v blízkosti hořáku podržte zapálenou zápalku.
3. Otočte ovládacím knoflíkem (směrem) na nastavení nízkého výkonu .
4. Zkontrolujte přítomnost plamene přes okénko (11).
5. Vraťte grilovací desku zpět na místo.
6. Zvyšte výkon otáčením knoflíku proti směru hodinových ručiček až do nastavení .

VAŘENÍ

A - Použití spotřebiče jako grilu

1. Ujistěte se, že nádržka je naplněna vodou na úroveň „MAXI“ a že podpěra pánve a rozptylovač tepla jsou nainstalovány podle popisu v části E.
2. Plotýnku asi na 10 minut předehejte při maximálním výkonu, abyste dosáhli ideální teploty k přípravě pokrmu. Položte ingredience na talíř a pomocí ovládacího knoflíku podle vaší potřeby upravte teplotu.
3. Po 1 hodině vaření zkontrolujte množství vody v nádržce. V případě potřeby přidejte vodu až na úroveň MAX.

Grilovací rošt je opatřen vysoce kvalitní povrchovou úpravou, zamezující připalování potravin a umožňující přípravu pokrmu bez tuku.

Díky tomu, že veškerý tuk z vaření odkapává do nádoby na vodu, je tento způsob přípravy pokrmu velmi zdravý (hotový pokrm neobsahuje žádné zbytkové tuky a zejména žádný přepálený tuk). Takto připravený pokrm si uchovává svou chuť a není vysušený.

Modré zbarvení varné desky je způsobeno silným vyvíjením tepla. Nemá to žádný dopad na kvalitu použitého materiálu.

B - Použití spotřebiče jako vařiče

DŮLEŽITÉ UPOZORNĚNÍ: Když se spotřebič používá jako vařič, grilovací deska se musí odstranit. Nikdy nepokládejte varné nádoby na varnou desku nebo rozptylovač tepla.

Umístěte nádobu na vaření (pánev na smažení, pánev...) na mříž, vystředte ji nad hořákem. Zajistěte, aby plamen nepřesahoval dno nádoby na vaření.

Nepoužívejte nádobu na vaření o průměru menším než 12 cm nebo větším než 26 cm.

ZHASÍNÁNÍ

Otáčejte ovládacím knoflíkem ve směru hodinových ručiček do polohy vypnuto (O), dokud se nezastaví.

G - SEJMUTÍ PLYNOVÉ KARTUŠE

Kartuše může být odstraněna i když není prázdná.

1. Otáčejte ovládacím knoflíkem ve směru hodinových ručiček do polohy vypnuto (O), dokud se nezastaví.
2. Počkejte až spotřebič vychladne.
3. Přidržte regulátor, odšroubujte plynovou kazetu otočením proti směru hodinových ručiček, dokud neuslyšíte kliknutí (přibližně jedna šestina otáčky), pak ji vyjměte.
4. Nikdy neodhazujte plynovou láhev, pokud si nejste jisti, že je skutečně zcela prázdná (zatřeste lahví, v případě, že není slyšet zvuk kapaliny v lahvi, je láhev prázdná).

H - ÚDRŽBA A USKLADNĚNÍ

Pokud pečujete o váš přístroj správně, budete si ho užívat mnoho let.

- Nečistěte spotřebič při jeho používání. Počkejte, dokud nevychladne (mřížka, tál, podpěrnice, nádrž atd.).
- Jakmile je jednotka studená (přibližně 15 minut), vyjměte varnou desku, rozptylovač tepla a podpěru pánve. Uvolněte nádržku ze základny podle pokynů v části E. Vylijte vodu.
- Očistěte masné části mýdlem a vodou nebo neabrasivním mycím prostředkem.
- Pro zjednodušení čištění lze víko, varnou desku, nádržku a podpěru pánve umývat v myčce.
- Při čištění dějte pozor, abyste zabránili zanesení otvorů hořáku. Pokud jsou otvory upchané, očistěte je pomocí nekovového kartáče.
- Po vyčištění sestavte odnímatelné části spotřebiče zpět, nasadte zpět víko a zavřete jej stisknutím 3 spon. (Obr. 2)
- Přístroj by měl být skladován na bezpečném a suchém místě, mimo dosah dětí a nikdy ve sklepě.
- Pokud spotřebič nebudete chtít používat delší dobu, odpojte lahev, jak je uvedeno v části G.
- Pokud zařízení nebylo používáno po dobu 30 dní, zkontrolujte, zda nejsou viditelně upchané hořáky nečistotami (pavučiny, prach) mohlo by to mít za následek snížení účinnosti hořáku nebo nebezpečné vznícení plynu mimo hořák.
- Uskladněte spotřebič v tašce (16). Tato taška vám umožní snadno spotřebič přenášet nebo jej chránit před prachem.

CZ

I – MOŽNÉ PROBLÉMY/ŘEŠENÍ PROBLÉMŮ

V případě zpětného zahoření (vznícení pod krytkou hořáku) produkt vypněte, nechejte vychladnout (asi pět minut) a poté znovu hořák zapalte. Pokud problém se zpětným zahořením přetrvává, obraťte se prosím na místního zástupce značky Campingaz®.

Možné problémy	Příčina / Řešení problémů
Hořák nehoří	<ul style="list-style-type: none">• Špatný přívod plynu• Regulace nefunguje správně• Potrubí, ventil, větrací trubice nebo otvory pro hořáky jsou blokovány. Vycištěte přívody.
Hořák hoří málo nebo zhasíná	<ul style="list-style-type: none">• Zkontrolujte, zda je plyn v lahvi• Zkontrolujte připojení potrubí• Obraťte se na svého servisního zástupce"
Nestabilně hořící plamen	<ul style="list-style-type: none">• Nová plynová lahev může obsahovat vzduch. Přístroj nechte hořet, po chvíli by se plamen měl ustálit• Zbytková voda, po umytí hořáku nebo naplnění/vyprázdnění mísy. Přístroj nechte hořet, po chvíli by se plamen měl ustálit.• Obraťte se na svého servisního zástupce
Velký plamen vycházející z hořáku	<ul style="list-style-type: none">• Přívodní trubice je zablokovaná• Obraťte se na svého servisního zástupce
Oheň vycházející z injektoru	<ul style="list-style-type: none">• Lahev je téměř prázdná• Vyměňte lahev a chyba by měla být odstraněna• Obraťte se na svého servisního zástupce
Netěsnost kolem ventilu	<ul style="list-style-type: none">• Okamžitě vypněte přívod plynu• Utáhněte matice nebo vyměňte potrubí• Obraťte se na svého servisního zástupce
Nízká teplota	<ul style="list-style-type: none">• Zablokovaná trubice injektoru nebo přívodovou trubice. Vycištěte přívodovou trubici.• Obraťte se na svého servisního zástupce
Netěsnost (hoření) za regulačním knoflíkem	<ul style="list-style-type: none">• Vadný ventil• Vypněte vaňč• Obraťte se na svého servisního zástupce

NÁVOD NA POUŽITIE

POZNÁMKA: Ak nie je uvedené inak, všetky nasledujúce všeobecné pojmy „spotrebič/jednotka/produkt/vybavenie/zariadenie“ uvádzané v tomto návode sa vzťahujú na produkt 360 Grill CV.

Spotreba: 160 g/h (2.2 kW) - injektor č. 79

Kategória: priamy tlak butánu

Ďakujeme, že ste si vybrali výrobok Campingaz®.

A - DÔLEŽITÉ UPOZORNENIE : PRACUJETE S PLYNOM, BUĎTE OPATRNÍ !

- Účelom tohto návodu je umožniť vám používať váš výrobok Campingaz® 360 Grill CV správne a bezpečne.
- Starostlivo si ich prečítajte, aby ste sa oboznámili s prístrojom ešte predtým, ako zložíte plynovú náplň.
- Dodržiavajte tiež inštrukcie uvedené na vymeniteľných plynových kartušiach CAMPINGAZ® CV 470 PLUS. Nerešpektovanie tohto návodu na použitie môže spôsobiť únik plynu a v prípade jeho vznietenia aj zranenie užívateľa alebo osôb nachádzajúcich sa v blízkosti.
- Odložte si ho na bezpečné miesto, aby ste sa doň mohli v prípade potreby pozrieť.
- Tento prístroj sa môže používať len s náplňami Campingaz® CV 470 PLUS. Použitie iných plynových náplní môže byť nebezpečné.
- Spoločnosť Sociétés Application Des Gaz nepreberá žiadnu zodpovednosť v prípade použitia náplní iných značiek.
- Tento gril by ste mali používať iba vonku v dostatočnej vzdialenosti od horľavých materiálov.
- Spotrebič nepoužívajte, ak preteká, je poškodený alebo nefunguje správne. Radšej ho vráťte svojmu maloobchodníkovi, ktorý vás bude informovať o vašom najbližšom popredajnom servise.
- Nikdy neupravujte spotrebič ani ho nepoužívajte na účely, na ktoré nie je určený. Akákoľvek úprava prístroja môže byť nebezpečná.
- Nepoužívajte tento spotrebič v karavanoch, autách, stanoch, chatách, prístreškoch ani iných malých uzavretých priestoroch.
- Spotrebič sa nemá používať, ak spíte, ani sa nemá nechávať bez dozoru.
- Všetky spotrebiče na plyn používajú kyslík a vylučujú iné potenciálne nebezpečné látky a plyny, ako je oxid uhoľnatý (CO).
- Bezfarebný a nezapáchajúci oxid uhoľnatý môže spôsobiť nevoľnosti a symptómy pripomínajúce chrípku, prípadne smrť, ak sa zariadenie používa v nevhodne vetranej miestnosti

B - VÁŠ SPOTREBIČ

Rozbaľte a objavte svoj spotrebič (Obr. 1A a 1B)

- | | |
|---------------------|--------------------------|
| (1) Plastové veko | (7) Regulátor |
| (2) Rošt na varenie | (8) Držiak náplne |
| (3) Tepelný difúzor | (9) Ovládacie tlačidlo |
| (4) Držiak panvice | (10) Tlačidlo blokovania |
| (5) Nádrž na vodu | (16) Prepravná taška |
| (6) Základňa | |

C - INŠTALÁCIA FLÁŠE CAMPINGAZ® CV 470 PLUS

(Ak len vymieňate prázdnu kartušu za plnú, prečítajte si kapitolu G "Demontáž kartuše:").

Pri inštalácii alebo výmene náplne vždy pracujte v dobre vetranom prostredí, najlepšie vonku a nikdy v blízkosti plameňa, zdroja vysokej teploty alebo iskrenia (cigarety, elektrické prístroje atď.) a v dostatočnej vzdialenosti od ľudí a horľavých materiálov.

KARTUŠE CAMPINGAZ® CV 470 PLUS SÚ VYBAVENE VENTILOM, MÔŽU SA Z PRÍSTROJA VYBRAŤ, ABY SA ULAHČILA ICH PREPRAVA, AJ KEĎ NIE SÚ PRÁZDNE A OPĀT NAMONTOVAŤ NA INÉ PRÍSTROJE CAMPINGAZ® TYPOVEJ RADY CV 470 PLUS, KTORÉ SA MÔŽU POUŽÍVAŤ IBA S TÝMITO KARTUŠAMI.

1. Otočte ovládacie gombík v smere hodinových ručičiek do polohy vypnutia (O), až kým sa nezastaví. (Obr. 7A)
2. Jemne zaskrutkujte plynovú náplň jej otočením v smere hodinových ručičiek, kým nezačujete zacvaknutie (približne šestina otáčky). Kartušu ďalej neskrutkujte, pretože môžete poškodiť jej ventil. (Obr. 7B)

V prípade úniku (zápach plynu pred otočením kohútika) okamžite vynesť spotrebič von na dobre vetrané priestranstvo bez akéhokoľvek zdroja horenia, kde bude možné nájsť a zastaviť únik. Ak chcete skontrolovať únik na vašom spotrebiči, robte to vonku. Nesnažte sa nájsť únik pomocou plameňa. Použite na to mydlovú vodu.

D - KONTROLA ÚNIKU PLYNU

1. Uchovávajte mimo dosahu horľavých materiálov, nefajčite v blízkosti zariadenia.
2. Skontrolujte, či je ovládacie gombík v polohe „OFF“ (VYPNUTÉ) (O).
3. Namontujte regulátor na plynovú kartušu (pozri odsek C).
4. Na detekciu úniku plynu nikdy nepoužívajte plameň. Použite roztok na zisťovanie úniku plynu.
5. Roztok naneste na spoje medzi kartušou / regulátorom / hadicou / zariadením (Obr. 14).
6. Otvorte regulačný ventil (7) (Obr. 1B) otočením proti smeru hodinových ručičiek z - na + (ovládacie gombík by mal zostať v polohe „OFF“ (VYPNUTÉ) (O)). Bublíny v roztoku na zisťovanie úniku plynu signalizujú únik plynu.
7. Zatvorte ventil regulátora.
8. Gril sa nesmie používať, kým nie sú odstránené všetky úniky.
9. Odpojte regulátor od kartuše a požiadajte o pomoc miestny popredajný servis.

Dôležité upozornenie: Úniky kontrolujte aspoň raz za rok a pri každej výmene plynovej fláše.

SK

E - PRÍPRAVA NA POUŽITIE

360 Grill :

A - Plastové veko:

Plastové veko je upevnené na hornej časti ohniska pomocou svoriek (Obr. 2). Počas prepravy udržiava všetky vnútorné časti na svojom mieste. Pred použitím ho odstráňte.

B - Používanie nádrže na vodu:

Spotrebič umiestnite na rovnú plochu. Naplňte nádrž vodou až po značku MAX. (Obr. 3A) Dávajte pozor, aby ste na horák nevyliali vodu.

Po skončení varenia môžete odpojiť nádrž na vodu, aby ste odstránili zmes vody a tuku a vyčistili ju. Môžete použiť špongiu napustenú neabrazívnym čistiacim prostriedkom alebo vložiť nádrž do umývačky riadu.

Odpojte nádrž na vodu zatiahnutím za tlačidlo blokovania (10). Ak držíte tlačidlo zatiahnuté až na doraz, vyberte nádrž jej posunutím smerom nahor. (Obr. 3B)

Po vyčistení nasadte nádrž späť na základňu:

- 1- Vytiahnite tlačidlo blokovania (10) (Obr. 3C)
- 2- Vyrovnajte okienko na sledovanie plameňa (11) s ovládacím tlačidlom (9). Zárezy (12) na základni nádrže musia byť zarovnané so zaisťovacou osou (13) (Obr. 3D).
- 3- Umiestnite nádrž na držiak
- 4- Uvoľnite tlačidlo, nádrž sa zafixuje (Obr. 3E)

Ak ju chcete znova použiť, naplňte nádrž vodou až po značku MAX. (Obr. 3A)

C - Držiak panvice:

Umiestnite držiak panvice na jeho miesto. Dávajte pozor, aby ste 3 zárezy jeho základne vložili do 3 klapiek v strede ohniska. Otáčanie držiaku je zablokované. Váš spotrebič je pripravený na používanie ako sporák. (Obr. 4)

D - Tepelný difúzor:

Umiestnite tepelný difúzor na hornú časť ramien držiaka panvice tak, aby ste zarovnali zárezy jeho 3 podpier s každým ramenom držiaka. (Obr. 5)

E - Rošt na varenie:

Umiestnite rošt na varenie na jeho 3 podpory na hornú časť ohniska, pričom dbajte na to, aby ste na hornú časť umiestnili požadovaný povrch. (Obr. 6A a 6B)

Držiak náplne:

Váš spotrebič sa dodáva s držiakom náplne. Tento držiak umožňuje upevniť náplň na okraji stola. Náplň je tak ďaleko od zdroja tepla a nemusí byť na povrchu stola.

- Spotrebič umiestnite do stredu a hadicu rozviňte až po okraj stola.
 - Upevnite držiak náplne na okraj stola. Dĺžka nastavovacej skrutky umožňuje prispôbenie väčšine stolov. (Obr. 8)
- Odskrutkujte nastavovaciu skrutku (14) tak, aby priestor medzi 2 gumovými podložkami zodpovedal hrúbke rámu vášho stola (Obr. 9A), posuňte držiak na okraj stola a potom skrutku utiahnite, aby ste zabezpečili bezpečné upevnenie na stole. (Obr. 9B)
- Posuňte posúvač (15) smerom hore a vložte regulátor do puzdra určeného na tento účel. (Obr. 10A a 10B)
 - Nechajte tlačidlo klesnúť, čím sa regulátor vďaka pružine udrží na mieste. (Obr. 10C)
 - Skontrolujte, či je hadica voľne rozvinutá, bez krútenia alebo ťahu, ani nemá kontakt s horúcimi povrchmi spotrebiča. (Obr. 11) Nikdy netahajte za hadicu ani ju nekrúťte.

BEZPEČNOSTNÉ OPATRENIA

Spotrebič nepoužívajte vo vzdialenosti menej ako 20 cm od steny alebo horľavého predmetu.

Umiestnite prístroj na stabilný vodorovný povrch a neposúvajte ho počas používania, aby ste zabránili vytvoreniu veľkých plameňov v dôsledku horenia kvapalného butánu namiesto spaľovania výparov. Ak k tomu dôjde, vypnite ovládací gombík premiestnite prístroj.

Nepoužívajte varnú nádobu s priemerom menším ako 12 cm alebo väčším ako 26 cm.

Pred zapálením spotrebiča v nastavení Grill alebo Plancha nezabudnite naplniť zásobník vodou na úroveň „MAXI“.

Chráňte svoj spotrebič pred vetrom, jeho výkon sa zvýši.

Nikdy nenechávajte varnú platňu bez jedla dlhšie ako minútu (s výnimkou začiatočného predhrievania). V opačnom prípade sa môže špeciálna vrstva poškodiť.

Na manipuláciu s riadom vždy používajte kuchynské pomôcky zo silikónu alebo dreva, aby ste zabránili poškodeniu neprilnavej vrstvy.

Pred prípravou na odloženie počkajte, kým spotrebič úplne nevychladne.

Upozornenie: Niektoré časti môžu byť veľmi horúce. Dávajte pozor, aby boli deti mimo prístroja.

Pri manipulácii s veľmi horúcimi časťami sa odporúča používať ochranné rukavice.

Nikdy nepoužívajte zariadenie, kým si dôkladne neprečítate pokyny a neporozumiete im. Skontrolujte, či:

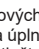
- nedochádza k únikom.
- zaistíte, aby rúrka horáka nebola upchatá (pavučiny atď.).
- zaistíte, aby sa hadica nedotýkala komponentov, ktoré sa môžu zohriať.

Dôležité: skontrolujte prítomnosť plameňa cez okienko umiestnené na ohnisku nad ovládacím gombíkom (11) (Obr. 1A). V prípade, že horák pri grilovaní zhasne, ihneď zatvorte plynový ventil a počkajte 5 minút, kým sa plyn neodparí. Po uplynutí tejto čakacej doby znova zapnite zariadenie.

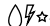
F - POUŽÍVANIE

ZAPÁLENIE HORÁKA

Piezoelektrický spínač (Obr. 12)

1. Otvorte prívod plynu otočením ventilu na regulátore smerom k „+“. (Obr. 12A)
2. Otočte ovládací gombík proti smeru hodinových ručičiek (v smere značky „“ na šípke), aby sa úplne otvoril. Počkajte 3 s, aby sa okruh naplnil, a stlačte tlačidlo úplne, kým nebudete počuť cvaknutie.
3. V prípade potreby zopakujte 3- alebo 4-krát, až kým sa horák nezapáli (skontrolujte plameň cez okno (11) na prednej strane nádržky).
4. Ak sa horák nezapáli, otočte ovládací gombík do polohy vypnutia (O). Počkajte 5 minút a postup zopakujte.
5. Ak sa horák nezapáli po druhom pokuse, môžete **A**. pokračovať nasledujúcou časťou Zapalovanie zápalkou, alebo **B**. prečítajte si rozdiel I Odstraňovanie problémov.

Zapálenie zapalovania (Obr. 13):

1. Otvorte prívod plynu otočením ventilu na regulátore smerom k „+“. (Obr. 13A)
2. Ak je to potrebné, odstráňte mriežku a do blízkosti horáka položte zapálenú zápalku.
3. Otočte ovládacie tlačidlo do polohy nízkeho výkonu (dopredu Δ).
4. Skontrolujte prítomnosť plameňa cez okienko (11).
5. Vráťte rošt na miesto.
6. Zvyšujte výkon otáčaním regulátora proti smeru hodinových ručičiek, kým nedosiahnete nastavenie .

VARENIE

A - Používanie prístroja ako grilu

1. Uistite sa, že je nádrž naplnená vodou po úroveň „MAXI“ a že sú držiak panvice a tepelný difúzor nainštalované tak, ako je popísané v časti E.
2. Varnú dosku predhrievajte približne 10 minút pri maximálnom výkone, aby sa dosiahla ideálna teplota na varenie. Umiestnite ingrediencie na dosku a nastavte teplotu pomocou ovládacieho regulátora podľa svojich chutí.
3. Po 1 hodine varenia skontrolujte množstvo vody v nádrži. V prípade potreby pridajte vodu na maximálnu úroveň.

Varná platňa je zakrytá vysokokvalitným protipriľnavým materiálom, ktorý zabezpečuje zdravé varenie bez pridávania tuku či oleja.

Mastné látky sa zbierajú do nádrže s vodou a vaše jedlo je dokonale zdravé (bez zvyškových alebo zuhoľnatých tukov) a prísady si zachovávajú všetku chuť.

Mierna strata farby varnej platničky je spôsobená vysokou teplotou. Nemá to žiaden vplyv na kvalitu použitého materiálu.

B - Použitie prístroja ako sporáka

DŮLEŽITÉ: Varnú platničku je potrebné zložiť, ak používate prístroj ako sporák. Varné nádoby nikdy neumiestňujte na varnú dosku alebo tepelný difúzor.

Nádoby na varenie (pekáč, panvica...) dajte na mriežku a umiestnite ju do stredu nad horák. Dbajte na to, aby plameň nepresahoval mimo dna nádoby na varenie.

Nepoužívajte varnú nádobu s priemerom menším ako 12 cm alebo väčším ako 26 cm.

YYPNUTIE VARIČA

Otočte ovládací gombík v smere hodinových ručičiek do polohy vypnutia (O), až kým sa nezastaví.

G - DEMONTÁŽ KARTUŠE

Náplň možno odstrániť, aj keď nie je prázdna.

1. Otočte ovládací gombík v smere hodinových ručičiek do polohy vypnutia (O), až kým sa nezastaví.
2. Počkajte, kým sa spotrebič nevychladí.
3. Držanie regulátora, odskrutkujte plynovú náplň jej otočením proti smeru hodinových ručičiek, kým nezačujete cvaknutie (približne šestinu otočenia), a potom ju zložte.
4. Nikdy neodhadzujte kartušu, pokiaľ nie je prázdna (zatrasením overte, či nepočuť zvuk kvapaliny).

H - ÚDRŽBA A SKLADOVANIE

AK SA STARÁTE O VÁŠ PRÍSTROJ SPRÁVNE, BUDETE SI HO UŽÍVAŤ MNOHO ROKOV.

- Nečistite spotrebič pri jeho používaní. Počkajte kým nevychladne (Mriežka, tál, podpěrnice, nádrž atď.).
- Po vychladnutí zariadenia (približne 15 minút) vyberte varnú dosku, tepelný difúzor a držiak panvice. Odomknite nádrž zo základne podľa časti E. Vylejte vodu.
- Očistite mastné časti mydlom a vodou alebo neabrazívnym čistiacim prostriedkom.
- Na zjednodušenie čistenia možno veko, varnú dosku, nádrž a držiak panvice umývať v umývačke riadu.
- Pri čistení dajte pozor, aby ste zabránili zaneseniu otvorov horáka. Ak sú otvory upchaté, očistite ich pomocou nekovového kefy.
- Po vyčistení znovu namontujte odoberateľné časti zariadenia, zakryte ho pokrievkou a zatvorte ho zatlačením na 3 spony. (Obr. 2)
- Prístroj by mal byť skladovaný na bezpečnom a suchom mieste, mimo dosahu detí a nikdy v pivnici.
- Pokiaľ spotrebič nebudete chcieť používať dlhšiu dobu, aby sa uvedené v časti G.
- Ak zariadenie nebolo používané po dobu 30 dní, skontrolujte či nie sú viditeľne upchaté horáky nečistotami (pavučiny, prach) mohlo by to mať za následok zníženie účinnosti horáka alebo nebezpečné vznietenie plynu mimo horák.
- Spotrebič uložte do tašky (16). Táto taška umožňuje jednoduché prenášanie spotrebiča alebo jeho uloženie mimo dosahu prachu.

SK

I - MOŽNÉ PROBLÉMY / RIEŠENIE PROBLÉMOV

V prípade spätného horenia (zapálenia pod krytom horáka) produkt vypnite, nechajte ho vychladnúť (približne päť minút) a potom spotrebič znova zapáľte. Ak problém so spätným horením pretrváva, obráťte sa na miestneho zástupcu pre produkty Campingaz®.

Možné problémy	Príčina / Riešenie problémov
Horák nehorí	<ul style="list-style-type: none">• Zlý prívod plynu• Regulácia nefunguje správne• Potrubie, ventil, vetracie trubice alebo otvory pre horáky sú blokované. Vyčistite prívody.
Horák horí málo alebo zhasína	<ul style="list-style-type: none">• Skontrolujte, či je plyn vo fľaši• Skontrolujte pripojenie potrubia• Obráťte sa na svojho servisného zástupcu.
Nestabilná horiaci plameň	<ul style="list-style-type: none">• Nová plynová fľaša môže obsahovať vzduch. Prístroj nechajte horieť, po chvíli by sa plameň mal ustáliť• Zvyšky vody po umytí horáka alebo naplnení/vyprázdnení misky. Prístroj nechajte horieť, po chvíli by sa plameň mal ustáliť.• Obráťte sa na svojho servisného zástupcu.
Veľký plameň vychádzajúci z horáka	<ul style="list-style-type: none">• Prívodný trubica je zablokovaná• Obráťte sa na svojho servisného zástupcu.
Oheň vychádzajúce z injektora	<ul style="list-style-type: none">• Fľaša je takmer prázdna• Vymeňte fľašu a chyba by mala byť odstránená• Obráťte sa na svojho servisného zástupcu.
Netesnosť okolo ventilu	<ul style="list-style-type: none">• Okamžite vypnite prívod plynu• Utiahnite matice alebo vymeňte potrubie• Obráťte sa na svojho servisného zástupcu.
Nízka teplota	<ul style="list-style-type: none">• Zablokovaná trubice injektora alebo prívodovou trubicou. Vyčistite prívodovou trubicou.• Obráťte sa na svojho servisného zástupcu.
Netesnosť (horenia) za regulačným gombíkom	<ul style="list-style-type: none">• Chybný ventil• Vypnite varič• Obráťte sa na svojho servisného zástupcu.

SK

NAVODILA ZA UPORABO

OPOZORILO: Razen v primeru nasprotnih navodil se naslednji specifični izrazi "aparat / enota / izdelek / oprema / naprava" v tem priročniku nanašajo na vse izdelke "360 Grill CV".

Nazivni podatki: 160 g/h (2,2 kW) – šoba za vbrizgavanje n° 79

Kategorija: neposredni tlak butana

Zahvaljujemo se vam, da ste izbrali izdelek Campingaz®.

A - POMEMBNO: PRI UPORABI PLINA BODITE VEDNO PREVIDNI!

- Namen teh navodil je omogočiti pravilno in varno uporabo izdelka Campingaz® 360 Grill CV.
- Pred namestitvijo plinske kartuše jih natančno preberite, da se seznanite z napravo.
- Upoštevajte ta navodila in varnostne ukrepe, natisnjene na kartušah Campingaz® CV 470 PLUS. Če teh navodil ne upoštevate, so lahko uporabnik in osebe v neposredni bližini izpostavljeni tveganju.
- Ta navodila hranite na varnem mestu, tako da jih lahko po potrebi ponovno preberete.
- Napravo lahko uporabljate samo s kartušami Campingaz® CV 470 PLUS. Uporaba drugih plinskih kartuš je lahko nevarna.
- Podjetje Sociéte Application Des Gaz ne prevzema nobene odgovornosti v primeru uporabe kartuš drugih blagovnih znamk.
- To rešetko je dovoljeno uporabljati samo na prostem in stran od vnetljivih materialov.
- Ne uporabljajte naprave, ki pušča, ki je poškodovana ali ki ne deluje pravilno. Odnosite jo k svojem prodajalcu, ki vam bo dal naslov najbližjega servisa.
- Te naprave nikoli ne spreminjajte oz. je ne uporabljajte za namene, za katere ni predvidena. Kakršna koli sprememba naprave je lahko nevarna.
- Naprave ne uporabljajte v počitniških prikolicah, avtomobilih, šotorih, kočah, lopah ali kakršnih koli majhnih zaprtih prostorih.
- Naprave ne smete uporabljati med spanjem ali je puščati brez nadzora.
- Pri delovanju vseh plinskih naprav se porablja kisik in nastajajo druge potencialno nevarne snovi in plini, kot je ogljikov monoksid (CO).
- Ogljikov monoksid je plin brez vonja in barve, ki lahko povzroči simptome, podobne gripi, slabost, obolenje in celo smrt, če nastaja pri uporabi naprave v zgoraj navedenih zaprtih prostorih brez ustreznega prezračevanja.

B - VAŠA NAPRAVA

Razpakirajte in odkrijte vašo napravo (Slika 1A in 1B)

- | | |
|------------------------|--------------------------|
| (1) Plastični pokrov | (7) Regulator |
| (2) Kuhalna plošča | (8) Podpormik za kartušo |
| (3) Razpršilec toplote | (9) Gumb za upravljanje |
| (4) Podpora za ponev | (10) Gumb za zaklepanje |
| (5) Posoda za vodo | (16) Nosilna torba |
| (6) Podnožje | |

C - NAMESTITEV KARTUŠE CAMPINGAZ® CV 470 PLUS

(Če je nameščena kartuša prazna, preberite razdelek G »Odstranitev kartuše«).

Namestitev ali odstranitev kartuše je treba izvesti na dobro prezračevanem mestu, najbolje na prostem, in ne v bližini drugih oseb ali vnetljivih materialov ter nikoli v bližini odprtega ognja, virov toplote ali isker (cigarete, električni aparati itd.).

KER IMAJO KARTUŠE TIPA CAMPINGAZ® CV 470 PLUS VGRAJEN VENTIL, JE MOGOČA NJIHOVA DEMONTAŽA, PREPROST PREVOZ (TUDI ČE ŠE NISO PRAZNE) IN PRIKLJUČITEV NA DRUGE IZDELKE CAMPINGAZ® TIPA CV 470 PLUS, KI SO NAMENJENI UPORABI IZKLJUČNO S TEMI KARTUŠAMI.

1. Gumb za reguliranje obrnite v smeri urinega kazalca, da se ustavi v položaju za izklop (O). (Slika 7A)
2. Pazljivo privijte plinsko kartušo, in sicer tako, da jo vrtite v smeri urinega kazalca, dokler ne zaslišite klika (približno ena šestina obrata). Zatem kartuše ne privijajte na silo, saj se lahko poškoduje njen ventil. (Slika 7B)

V primeru uhajanja (vonj plina pred vklopom plinske pipe) napravo takoj odnesite na dobro prezračevano mesto brez virov vnetljivih snovi, kjer lahko odkrijete mesto uhajanja in ga ustavite. Če želite preveriti, ali v napravi prihaja do uhajanja, storite to na prostem. Pri odkrivanju mest uhajanja plina ne uporabite plamena, temveč milnico.

D - PREVERJANJE GLEDE PUŠČANJA PLINA

1. Držite stran od vnetljivih materialov, ne kadite v bližini naprave.
2. Prepričajte se, da je nadzorni gumb v položaju »OFF« (O).
3. Regulator namestite na plinsko jeklenko (glejte razdelek C).
4. Nikoli ne uporabljajte plamena za zaznavanje puščanja plina. Uporabite raztopino za zaznavanje uhajanja plina.
5. Raztopino nanesite na priključke med jeklenko/regulatorjem/cevjo/napravo (Slika 14).
6. Odprite regulacijski ventil (7) (Slika 1B), tako da ga obrnete v nasprotni smeri urinega kazalca od - do + (Nadzorni gumb mora ostati v položaju »OFF« (O)). Mehurčki v raztopini za preverjanje puščanja plina kažejo, da plin pušča.
7. Zaprite ventil regulatorja.
8. Rešetke ni dovoljeno uporabljati, dokler niste izločili vseh puščanj.
9. Odklopite regulator z jeklenke in se za pomoč obrnite na lokalno poprodajno službo.

Pomembno: Preverite puščanja vsaj enkrat letno in vsakič, ko zamenjate plinsko jeklenko.

E - PRIPRAVA ZA UPORABO

Žar 360:

A - Plastični pokrov:

Plastični pokrov se pritrdi na vrh kurišča s sponkami (Slika 2). Ta pomaga, da med prevozom vse ostane na svojem mestu. Pred uporabo ga odstranite.

B - Uporaba posode za vodo:

Napravo položite na ravno površino. Posodo napolnite z vodo do oznake MAX. (Slika 3A) Pazite, da vode ne polijete po gorilniku.

Po kuhanju lahko posodo z vodo odstranite, da zavrzete mešanico vode in maščobe, in jo očistite. Za čiščenje lahko uporabite gobico z neabrazivnim detergentom ali pa posodo operete v pomivalnem stroju.

Posodo za vodo odstranite tako, da povlečete gumb za zaklepanje (10). Medtem ko držite gumb navzdol, odstranite posodo tako, da jo privzdignete navzgor. (Slika 3B)

Po čiščenju položite posodo nazaj na podnožje:

- 1- Pritisnite gumb za zaklepanje (10) (Slika 3C)
- 2- Poravnajte okenca za ogled plamena (11) z gumbom za upravljanje (9). Zarez (12) na podnožju posode morajo biti poravnane z zaklepno osjo (13) (Slika 3D)
- 3- Posodo položite na podporno osnovo
- 4- Gumb spustite, da zaklenete posodo (Slika 3E)

Če jo želite ponovno uporabiti, potem vsebnik napolnite z vodo do oznake NAJV. (Slika 3A)

C - Podpora za ponev:

Podporo za ponev položite na ustrezno mesto. Prepričajte se, da ste vstavili 3 zarezne osnove podpore v 3 zavihke v sredini kurišča. Rotacija podpore je blokirana. Vaša naprava je pripravljena za uporabo kot pečica. (Slika 4)

D - Razpršilec toplote:

Razpršilec toplote položite na ročice podpore za ponve, pri čemer poravnajte zarezne njegovih 3 podpornikov z vsako ročico podpore. (Slika 5)

E - Kuhalna plošča:

Kuhalno ploščo položite na 3 podpornike na vrhu kurišča ter poskrbite, da je zelena površina obrnjena navzgor. (Slika 6A in 6B)

Podpornik za kartušo:

Vaša naprava je opremljena s podpornikom za kartušo. Ta podpornik omogoča pritrditev kartuše na rob mize. Tako je kartuša daleč stran od vira toplote in ni na površini mize.

- Svojo napravo položite na sredino in razvijte cev do roba mize.

- Podpornik za kartušo pritrdite na rob mize. Dolžina vijaka za nastavitev omogoča prilagoditev večini miz. (Slika 8)

Vijak za namestitvev (14) odvijte tako, da prostor med 2 gumijastima blazinicama ustreza debelini okvirja mize (Slika 9A), namestite podporo na rob svoje mize ter privijte vijak, da zagotovite varno pritrditev na mizo. (Slika 9B)

- Potiskalč (15) potegnite navzgor in vstavite regulator v ohišje, ki je temu namenjeno. (Slika 10A in 10B)

- Potiskalč spustite navzdol, da z vzmetjo ohrani regulator na svojem mestu. (Slika 10C)

- Prepričajte se, da je cev prosto odvita, ni zavita ali zataknjena in ni v stiku z vročimi površinami naprave. (Slika 11) Cevi nikoli ne vlecite ali zavijajte.

VARNOSTNI PREVIDNOSTNI UKREPI

Naprave ne uporabljajte na razdalji manj kot 20 cm od stene ali vnetljivega predmeta.

Napravo postavite na trdno, vodoravno podlago in je med uporabo ne premeščajte, da preprečite velike plamene, ki nastanejo ob vžigu tekočega namesto uparjenega butana. Če se to zgodi, izklopite gumb za reguliranje in spremenite lego naprave.

Ne uporabljajte posode za kuhanje, ki je manjša od 12 cm ali večja od 26 cm.

Praden napravo prižgete na nastavitev Žar ali Plošča, se prepričajte, da je posoda z vodo napolnjena do ravni MAXI.

Če napravo zaščitite pred vetrom, se njena učinkovitost poveča.

Površine za pečenje na ognju nikoli ne puščajte prazne brez živil več kot eno minuto (razen v začetnem ciklu predgrevanja), saj se v nasprotnem primeru poškoduje njena posebna prevleka.

Za preprečevanje poškodb nelepljivega premaza za premikanje vaših jedi vedno uporabite kuharske pripomočke iz silikona ali lesa.

Počakajte, da se naprava popolnoma ohladi, šele nato jo pripravite za shranjevanje.

Pozor: nekateri deli so lahko zelo vroči. Majhnim otrokom preprečite dostop do naprave.

Priporočamo, da za rokovanje s sestavnimi deli, ki se lahko zelo segrejejo, nosite zaščitne rokavice.

Nikoli ne uporabljajte žara, dokler niste natančno prebrali in razumeli navodil. Poleg tega zagotovite, da:

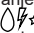
- ni puščanj;
- pazite, da cev gorilnika ni ovirana (s pajkovimi mrežami, itn.);
- se cev ne dotika sestavnih delov, ki bi lahko postali vroči.

Pomembno: prek okenca, ki se nahaja na gorilni enoti nad nadzornim gumbom (11), preverite prisotnost plamena (Slika 1A). V primeru, da gorilnik ugasne med peko, takoj zaprite plinski ventil in počakajte 5 minut, da plin izpari. Po tem času čakanja ponovno prižgite napravo.


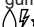
F - UPORABA

PRŽIGANJE GORILNIKA

Pržižiganje s piezo prižižgalom (Slika 12)

1. Dovod plina odprete tako, da ventil regulatorja obrnete proti »+«. (Slika 12A)
2. Gumb za reguliranje obrnite v nasprotni smeri urinega kazalca (proti »  «), da je ventil popolnoma odprt. Počakajte 3 sekunde, da se povezava napolni ter nato v celoti pritisnete gumb, dokler ne zaslišite klika.
3. Po potrebi pritisnete še 3- ali 4 krat, dokler se gorilnik ne prižge (plamen preverite skozi okence (11) na sprednji strani posode za vodo).
4. Če se gorilnik ne prižge, zavrtite gumb za reguliranje v smeri urinega kazalca, da se ustavi v položaju (O). Počakajte 5 minut, nato pa ponovite postopek.
5. Če se gorilnik tudi po 2. poskusu ne prižge, lahko storite naslednje: **A.** nadaljujte s postopkom prižižganja z vžigalico, ki je opisan v spodnjem razdelku, ali **B.** Glejte poglavje »I Odpravljanje težav«.

Pržižiganje z vžigalico (Slika 13):

1. Dovod plina odprete tako, da ventil regulatorja obrnete proti »+«. (Slika 13A)
2. Po potrebi odstranite kuhhalno ploščo in v bližini gorilnika postavite prižižgano vžigalico.
3. Gumb za upravljanje obrnite na nastavev nizke moči (proti ).
4. Skozi okence (11) preverite prisotnost plamena.
5. Kuhhalno ploščo položite nazaj na njeno mesto.
6. Moč povečajte z obračanjem gumba v nasprotni smeri urinega kazalca do nastavitve .

PEČENJE

A - Uporaba naprave kot žara

1. Prepričajte se, da je posoda z vodo napolnjena do oznake »MAX« ter sta podpora za ponev in razpršilec toplote nameščena skladno z opisom v poglavju E.
2. Kuhhalno ploščo segrejte vnaprej za 10 minut z maksimalno močjo, da dosežete popolno temperaturo za kuhanje. Svoje sestavine položite na ploščo ter prilagodite temperaturo z gumbom za upravljanje na zeleno raven.
3. Po 1 uri kuhanja preverite količino vode in posodi. Po potrebi dodajte vodo do oznake MAX.

Površina za pečenje je prevlečena z izjemno kakovostno snovjo proti sprijemanju, ki omogoča pripravo zdravih jedi brez dodajanja maščobe ali olja.

Maščobe se zbirajo v posodi za vodo, vaš obrok pa je popolnoma zdrav (brez odvečnih ali zogljenih maščob) in sestavine ohranijo ves svoj okus.

Modrikasto razbarvanje površine za pečenje je posledica močnega segrevanja. To nima nikakršnega vpliva na kakovost uporabljenega materiala.

B - Uporaba naprave kot kuhhalnika

POMEMBNO: Če želite napravo uporabljati kot kuhhalnik, morate odstraniti površino za pečenje. Posoda za kuhanje nikoli ne polagajte na kuhhalno ploščo ali razpršilnik toplote.

Posodo (ponev, kozica ...) postavite na plinsko rešetko nad gorilnikom. Poskrbite, da plamen ne zahaja izven področja spodnjega dela posode.

Ne uporabljajte posode za kuhanje, ki je manjša od 12 cm ali večja od 26 cm.

UGAŠANJE NAPRAVE

Gumb za reguliranje obrnite v smeri urinega kazalca, da se ustavi v položaju za izklop (O).

G - ODSTRANITEV KARTUŠE

Kartušo lahko odstranite, tudi če še ni prazna.

1. Gumb za reguliranje zavrtite v smeri urinega kazalca, da se ustavi v položaju (O).
2. Počakajte, da se naprava ohladi.
3. Pridržite regulator ter odvijte plinsko kartušo tako, da jo zavrtite v nasprotni smeri urinega kazalca, dokler ne zaslišite klika (približno eno šestino obrata), in jo odstranite.
4. Nikoli ne zavrtite kartuše, ki ni do konca izpraznjena. Kartušo potresite in tako preverite, da v njej ni tekočine.

H - VZDRŽEVANJE IN SHRANJEVANJE

Pri rednem vzdrževanju in čiščenju bo naprava dolga leta delovala brezhibno.

- Ne čistite naprave med delovanjem. Pred čiščenjem počakajte, da se vsi deli naprave popolnoma ohladijo.
- Ko se enota ohladi (približno 15 minut), odstranite kuhhalno ploščo, razpršilnik toplote in podporo za ponev. Posodo odklenite iz podnožja skladno s poglavjem E. Vodo izlijte.
- Masne dele pomijte s toplo vodo in dodatkom čistila za posodo.
- Za preprostejše čiščenje lahko pokrov, kuhhalno ploščo, posodo in podporo za ponev operete v pomivalnem stroju.
- Pri čiščenju pazite, da se luknje gorilnika ne zamašijo. Če so luknje zamašene, na primer s prelito hrano, jih odprite z nekovinsko ščetko.
- Po čiščenju ponovno sestavite odstranljive dele naprave, ponovno namestite pokrov in ga zaprite, pri čemer pritisnite na 3 sponke. (Slika 2)
- Hranite napravo na hladnem, suhem in dobro prezračevanem mestu, ne v dosegu otrokom in ne v kletih ali kletnih etažah.
- Če naprave dlje časa ne uporabljate, demontirajte jeklenko po napotkih točke G.
- Če naprave ne uporabljate dlje kot 30 dni, preverite ali se v gorilniku oz. dovodu plina ni nabrala pajčevina, saj le ta zelo vpliva na pravilno delovanje naprave.
- Napravo shranite v torbi (16). Torba omogoča lažje prenašanje naprave in jo zaščiti pred prahom.

SI

I - MOTNJE V DELOVANJU

Če se prismoji na hrbtni strani (vžig pod pokrovom gorilnika) izklopite izdelek, počakajte, da se ohladi (približno pet minut), nato pa znova vžgite aparat. Če je težava s smojenjem v ozadju še naprej prisotna, obrnite se na najbližjega prodajnega zastopnika Campingaz®.

MOTNJA	RAZLOG / ODPRAVA
Gorilnik se ne prižge	<ul style="list-style-type: none">• Slab dovod plina;• regulator ne deluje;• cev, ventil, venturi cev pod gorilnikom ali odprtine na gorilniku zamašene.• Očistiti. Zamenjati nedelujoče dele.
Ogenj na gorilniku nepravilen ali ugaša	<ul style="list-style-type: none">• Preveriti, če se v jeklenki še nahaja plin.• Preveriti brezhibno dovoda plina..• Obrnite se na serviserja.
Plameni ognja na gorilniku neenotni	<ul style="list-style-type: none">• V novi jeklenki se je nahajal zrak. Pustiti delovati nekaj časa, napaka se odpravi sama.• Ostanek vode po čiščenju gorilnika ali polnjenju/praznjenju posode. Pustiti delovati nekaj časa, napaka se odpravi sama.• Obrnite se na serviserja.
Velik plamen na celotnem gorilniku	<ul style="list-style-type: none">• Nepravilen regulator. Zamašen gorilnik ali venturi cev gorilnika zaradi tujkov – npr. pajčevina.• Obrnite se na serviserja.
Ogenj na šobi	<ul style="list-style-type: none">• Jeklenka skoraj prazna.• Menjati jeklenko.• Obrnite se na serviserja.
Ogenj na priključku	<ul style="list-style-type: none">• Netesen priključek. Takoj zapreti ventil jeklenke.• Menjati regulator, cev, objemke, tesnilo regulatorja.• Obrnite se na serviserja.
Prenizka temperatura	<ul style="list-style-type: none">• Zamašena šoba naprave ali cev gorilnika ali gorilnik. Očistiti.• Obrnite se na serviserja.
Goreče puščanje za nastavitvenim gumbom	<ul style="list-style-type: none">• Pokvarjen ventil• Zapri peč• Obrnite se na serviserja.

KASUTUSJUHEND

MÄRKUS: kui ei ole märgitud teisiti, viitavad käesolevas kasutusjuhendis olevad üldmõisted „seade/ühik/toode/ seadis/vahend“ kõik tootele „360 Grill CV“.

Kulu: 160 g/h (2.2 kW) - injektor n° 79

KATEGORIA: otsesurve - butaan.

Täname teid, et valisite Campingaz®-i toote.

A - OLULINE! OLGE GAASI KASUTAMISEL ALATI ETTEVAATLIK!

- Selle juhendi eesmärk on võimaldada teil toodet Campingaz® 360 Grill CV õigesti ja ohutult kasutada.
- Lugege juhendit hoolikalt, et tutvuda seadmega enne gaasipurkide ühendamist.
- Vaadake seda juhendit ja Campingaz® CV 470 PLUS gaasipurkidele trükitud ohutusabinõusid. Nende juhiste mittejärgimine võib vahetus läheduses viibiva kasutaja ja inimesed ohtu seada.
- Hoidke juhendit kindlas kohas, et saaksite vajadusel seda uuesti vaadata.
- Seadet tohib kasutada ainult Campingaz® CV 470 PLUS gaasipurkidega. Teiste gaasipurkide kasutamine võib olla ohtlik.
- Ettevõtte Société Application Des Gaz ei võta endale vastutust mis tahes teiste gaasipurkide kasutamise korral.
- Seda grilli võib kasutada ainult õues ja eemal kergsüttivatest materjalidest.
- Ärge kasutage seadet, mis lekitab, on kahjustatud või ei tööta õigesti. Selle asemel tagastage toode edasimüüjale, kes teavitab teid lähimast müüjajärgsest hoolduspunktist.
- Ärge kasutage seda seadet muutke seda seadet ega kasutage seda eesmärgil, milleks see ei ole ette nähtud. Seadme mis tahes muudatus võib olla ohtlik.
- Ärge kasutage seda seadet haagissuvilates, autodes, telkides, puhkemajades, varjualustes ega mis tahes väikestes suletud kohtades.
- Seadet ei tohi kasutada magamise ajal ega järelevalveta.
- Kõik gaasil töötavad seadmed tarbivad hapnikku ja eraldavad teisi ohtlikke aineid ja gaase, nagu süsinikmonooksiid (CO).
- Süsinikmonooksiid on lõhnatu, läbipaistev gaas, mis võib põhjustada griptaalisi haigusnähte, halba enesetunnet, haiglast olekut ja surma, kui see koguneb eelpool mainitud suletud kohtadesse, sest seadet ei kasutata piisava ventilatsiooniga kohas.

B - SEADE

Pakkige seade lahti ja tutvuge sellega (joonised 1A ja 1B)

- | | |
|---------------------|-------------------|
| (1) Plastikust kaas | (7) Regulaator |
| (2) Kõpsetusplaat | (8) Padrunitugi |
| (3) Soojushajuti | (9) Juhtnupp |
| (4) Pannitugi | (10) Lukustusnupp |
| (5) Veepaak | (16) Kandekott |
| (6) Alus | |

C - CAMPINGAZ® CV 470 PLUS GAASIPURGI ÜHENDAMINE

(Kui olemasolev gaasipurk on tühi, lugege jaotist G, "Gaasipurgi eemaldamine").

Gaasipurgi ühendamisel või eemaldamisel tegutsesge alati hästi ventileeritud alal, eelistatult väljas, eemal teistest inimestest ja süttimisohutlikkest materjalidest, mitte kunagi lahtise tule, kuuma- või sädemeallika lähedal (sigaretid, elektriseadmed jne).

KUNA CAMPINGAZ® CV 470 PLUS GAASIPURGID TÖÖTAVAD KLAPPIDEGA, VÕIB NEID SEADME KÜLJEST EEMALDADA, LIHTSALT TRANSPORTIDA (ISEGI JUHUL, KUI EI OLE TÜHJAD) NING ÜHENDADA TEISTE CAMPINGAZ®-i CV 470 PLUS SEERIASSE KUULUVATE SEADMETEGA, MIS ON KONSTRUEERITUD AINULT NENDE GAASIPURKIDEGA TÖÖTAMISEKS.

1. Keerake juhtnuppu päripäeva väljalülitatud asendi suunas (O), kuni nupp peatub. (Joonis 7A)
2. Keerake gaasipurk päripäeva ettevaatlikult külge, kuni kuulete klõpsatust (umbes kuudniku pöörde peal). Ärge keerake gaasipurki jõuga edasi, sest nii võtte gaasiklappi kahjustada. (Joonis 7B)

Lekke korral (gaasilõhn enne või pärast kraani keeramist) viige seade kohe välitingimustesse, hästi ventileeritud alale, kus ei ole tuleallikaid ja kus saab lekkekoha üles leida ja peatada. Kui soovite oma seadmel lekkeid kontrollida, tehke seda välitingimustes. Ärge kasutage lekete tuvastamiseks tuld, vaid kasutage seebivahtu.

D - GAASILEKETE KONTROLLIMINE

1. Hoidke eemal kergsüttivatest materjalidest ja ärge suitsetage seadme lähedal.
2. Veenduge, et juhtnupp oleks asendis OFF (O).
3. Paigaldage regulaator gaasiballoonile (vt jaotis C).
4. Ärge mitte mingil juhul kasutage gaasilekke tuvastamiseks lahtist leeki. Kasutage gaasilekkelahust.
5. Kandke lahus ballooni/regulaatori/vooliku/seadme vahelistele ühendustele (Joonis 14).
6. Avage regulaatorklapp (7) (Joonis 1B), pöörates seda vastupäeva miinuselt plussi poole (juhtnupp peab jääma asendisse „OFF“ (O)). Gaasilekkelahuses olevad mullid näitavad gaasilekke olemasolu.
7. Sulgege regulaatori klapp.
8. Grilli ei tohi kasutada enne kui kõik lekked on kõrvaldatud.
9. Lahutage regulaator balloonilt ja võtke abi saamiseks ühendust kohaliku müüjajäreteendusega.

Oluline! Kontrollige lekkeid vähemalt üks kord aastas ja iga kord, kui te gaasiballooni välja vahetate.

E - KASUTAMISEKS ETTEVALMISTAMINE

360 Grill:

A - Plastikust kaas:

Plastikust kaas kinnitatakse klambrite abil tulekambri ülaosa külge (Joonis 2). See hoiab transpordi ajal kõik sisemised osad oma kohal. Enne kasutamist tuleb see eemaldada.

B - Veepaagi kasutamine:

Asetage seade tasasele pinnale. Täitke paak kuni MAX-tähtsini veega. (Joonis 3A) Pöörake tähelepanu sellele, et vett ei satuks põletisse.

Pärast toiduvalmistamist võite veepaagi lahti ühendada, et vee ja rasva segu ära visata ning puhastada. Võite kasutada mitteabraseiivse pesuvahendiga immutatud käsna või panna paagi nõudepesumasinasse.

Ühendage veepaak lukustusnuppu (10) tömmates lahti. Hoides nuppu all, kuni see peatub, eemaldage paak, liigutades seda ülespoole. (Joonis 3B)

Pärast puhastamist pange paak aluse külge tagasi.

1- Tõmmake lukustusnuppu (10) (Joonis 3C).

2- Joondage leegi vaatamise aken (11) juhtnupuga (9).

Paagi aluse sälgud (12) peavad olema joondatud lukustusteljega (13) (Joonis 3D).

3- Pange paak toe peale.

4- Vabastage nupp, et lukustada paak oma kohale (Joonis 3E).

Kui soovite seda uuesti kasutada, täitke mahuti kuni MAX-märgiseni veega. (Joonis 3A)

C - Pannitugi:

Pange pannitugi oma kohale. Pöörake tähelepanu sellele, et sisestada aluse 3 säliku tulekambri keskosa 3 klapi sisse. Toe pöörlemine on blokeeritud. Seade on pliidiina kasutamiseks valmis. (Joonis 4)

D - Soojuse hajuti:

Pange soojuse hajuti pannitoe õlgade ülaosale, joondades 3 toe sälgud toe mõlema õlga. (Joonis 5)

E - Küpsetusplaat:

Asetage küpsetusvõre tulekambri peal olevale 3 toele, pöörates tähelepanu soovitud pinnale. (Joonised 6A ja 6B)

Padrunitugi:

Seadmel on padrunitugi. Tugi võimaldab padruni laua serva külge kinnitada. Seega jääb padrun soojusallikast eemale ja laupind mugavalt vabaks.

- Pange seade keskele ja keerake voolik laua servani lahti.

- Kinnitage padrunitugi laua serva külge. Seadistuskruvi pikkus võimaldab kasutada enamiku laudadega. (Joonis 8)

Keerake reguleerimiskruvi (14) lahti nii, et kahe kummipadja vahele jääv ruum sobiks laua raami paksusega (Joonis 9A). Pange lauaserv toe vahele ja seejärel keerake kruvi kinni, et togi oleks kindlalt laua külge kinnitatud. (Joonis 9B)

- Lükake tõukurit (15) ülespoole ja libistage regulaator selleks ettenähtud korpusesse. (Joonised 10A ja 10B)

- Laske tõukur alla nii, et regulaator jääks tänu vedrudele oma kohale. (Joonis 10C)

- Kontrollige, et voolik oleks vabalt lahti rullitud, ilma väände- ja tõmbejõududeta ega puutuks kokku seadme kuumade pindadega. (Joonis 11) Ärge kunagi tõmmake voolikut ega keerake seda.

OHUTUSNÕUDED

Ärge kasutage seadet seinale või süttimisohutlikule objektile lähemal kui 20 cm.

Asetage seade stabiilsele, horisontaalsele pinnale ja ärge liigutage seda kasutamise ajal, et vältida suurte leekide ilmumist, mida põhjustab vedela butaani süttimine aurustunud butaani asemel. Kui see juhtub, keerake juhtnupp välja ja paigutage seade ümber.

Ärge kasutage väiksema kui 12 cm ja suurema kui 26 cm läbimõõduga toidunõud.

Enne seadme süttimist seadistuses Grill või Plancha, täitke kindlasti paak veega kuni MAX-tasemeni.

Kaitske seadet tuule eest, nii toimib see paremini.

Ärge kunagi jätke toiduta küpsetusplaati tule kohale kauemaks kui üks minut (väljaarvatud eelkuumutamise periood), sest sellisel juhul kahjustate erikatet.

Mittenakkuva kattekihi kahjustamise vältimiseks kasutage alati silikoonist või puudust söögivalmistusriistu.

Enne hoiundamiseks ettevalmistamist oodake, kuni seade on täielikult maha jahtunud.

Ettevaatust! mõned osad võivad olla väga kuumad. Hoidke lapsi seadme eemal.

Väga kuumaks muutuda võivate komponentide käsitsemisel on põletuste vältimiseks soovitatav kasutada kaitsekindaid.

Ärge kunagi kasutage seadet enne, kui juhised on hoolikalt läbi loetud ja neist aru saadud. Lisaks veenduge, et:

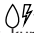
- poleks lekkeid;
- põleti toru poleks ummistunud (ämblikuvõrkude jms-ga);
- voolik ei puudutaks ühtegi osa, mis võib muutuda kuumaks.

Tähtis! Kontrollige juhtnupu (11) kohal leegikambri asuva akna kaudu leegi olemasolu (Joonis 1A). Peaks leek grillimise ajal kustuma, sulgege kohe gaasikraan ja oodake 5 minutit, et gaas saaks hajuda. Ooteaja lõpul süüdate seade uuesti.

F - KASUTAMINE

PÕLETI SÜÜTAMINE

Piesosüütamine (Joonis 12)

1. Avage gaasivarustus, keerates regulaatori ventiili „+“ suunas. (Joonis 12A)
2. Keerake juhtnuppu vastupäeva (tähiste „“ suunas) nii, et see on täiesti lahti. Oodake 3 sek, kuni vooluahel on täidetud, ja lükake nupp lõpuni alla, kuni kuulete klõpsatust.
3. Vajutage vajadusel 3 või 4 korda, kuni põleti süttib (kontrollige leeki mahuti eesmise akna (11) kaudu).
4. Kui põleti ei sütti, keerake juhtnuppu päripäeva väljalülitatud asendisse (O), kuni see peatub. Oodake 5 minutit enne toimingu kordamist.
5. Kui põleti ei sütti pärast teistkordset katset, võite **A.** jätkata osaga „Tikust süütamine“ või **B.** Lugege jaotist I Tõrkeotsing.

Tikust süütamine (Joonis 13):

1. Avage gaasivarustus, keerates regulaatori ventiili „+“ suunas. (Joonis 13A)
2. Vajadusel eemaldage küpsetusrest ja süüdake tikuga.
3. Keerake juhtnupp väikesele võimsusele $\hat{\Delta}$.
4. Kontrollige läbi akna leegi olemasolu (11).
5. Pange küpsetusvõre tagasi oma kohale.
6. Suurendage võimsust, keerates nuppu vastupäeva kuni soovitud seadistuseni $\hat{\Delta}\star$.

TOIDUVALMISTAMINE

A - Seadme kasutamine grillina

1. Veenduge, et paak oleks veega täidetud MAX-tasemeni ning pannitoe ja soojuse hajuti oleks paigaldatud nii, nagu on kirjeldatud jaotises E.
2. Eelsoojendage küpsetusplaati maksimaalsel võimsusel umbes 10 minutit, et saavutada toiduvalmistamiseks sobivaim temperatuur. Pange toiduained plaadile ja reguleerige temperatuuri juhtnupuga vastavalt oma soovile.
3. Pärast 1 -tunnist küpsetamist kontrollige paagis oleva vee kogust. Vajadusel lisage vett MAX-tasemeni.

Küpsetusplaat on kaetud kõrgekvaliteedilise mitterakkuva materjaliga, mis tagab tervisliku toidu rasva või õli kasutamiseteta.

Rasvained kogutakse veemahutisse, teie toit on tõeliselt tervislik (jääk- ja söestunud rasvad puuduvad) ning kõik koostisained säilitavad oma maitse.

Küpsetusplaat muutub tugeva kuumuse toimel sinakaks. See ei mõjuta ühelgi viisil kasutatud materjali kvaliteeti.

B - Seadme kasutamine põletina

OLULINE: Seadme kasutamiseks põletina peab küpsetusplaadi eemaldama. Ärge kunagi pange küpsetusplaadi ega soojuse hajuti peale kõõginõusid.

Asetage nõud (praepann, pann jne) restile, põleti kohale. Veenduge, et leek ei oleks anuma põhjast laiem.

Ärge kasutage väiksema kui 12 cm ja suurema kui 26 cm läbimõelduga toidunõud.

VÄLJALÜLITAMINE

Keerake juhtnuppu päripäeva väljalülitatud asendi suunas (O), kuni nupp peatub.

G - GAASIPURGI EEMALDAMINE

Gaasipurgi võib eemaldada isegi juhul, kui see ei ole tühi.

1. Keerake juhtnuppu päripäeva väljalülitatud asendi suunas (O), kuni nupp peatub.
2. Oodake, kuni seade maha jahtub.
3. Hoides regulaatorit, keerake gaasipurk vastupäeva lahti, kuni kuulete klõpsatust (umbes kuuendiku pöörde korral), ning seejärel eemaldage.
4. Ärge kunagi visake gaasipurki ära, kui see ei ole täielikult tühi. Kontrollige lokustades, et gaasipurgis ei oleks vedelikku.

H - HOOLDUS JA HOIUNDAMINE

Regulaarne hooldus tagab grilli häireteta töö paljudeks aastateks.

- Ärge puhastage seadet selle kasutamise ajal. Vältimaks kuumade osade (küpsetusplaat, -rest, pannitugi, veemahuti jne) poolt põhjustatud põletusi oodake, kuni see on maha jahtunud.

- kui seade on jahtunud (umbes 15 min), eemaldage küpsetusplaat, soojuse hajuti ja pannitugi. Eemaldage paak aluse küljest, järgides jaotist E. Tühjendage see veest.

- Puhastage rasvased osad seebi ja veega või mitteabraseiivse puhastusvahendiga.

- Puhastamise lihtsustamiseks võib kaant, küpsetusplaati, paaki ja pannituge pesta nõudepesumasinas.

- Puhastamisel vältige põletiaevade ummistamist. Kui needavad on umbes, näiteks ümber aetud toidust, kasutage nende avamiseks mittemetallist harja.

- Pärast puhastamist pange seadme eemaldatavad osad tagasi oma kohale, pange tagasi kaas ja sulgege see, vajutades 3 kinnitusklambrit. (Joonis 2)

- Seadet tuleks hoida kindlas, turvalises ja kuivas kohas, laste käeulatuselst väljas, ning mitte kunagi keldris.

- Kui seadet pikka aega ei kasutata, ühendage gaasiballon lahti, nagu on juhendatud lõigus G.

- Kui seadet ei ole 30 päeva kasutatud, kontrollige üle põletiaevad (sinna võib sattuda tolm, mustus, ämblikuvõrgud). Põletiaevade ummistumisega võib kaasned põleti tõhususe vähenemine või põletist väljaspool oleva gaasi süttimise.

- Hoidke seadet kotis (16). See kott võimaldab teil seadet hõlpsalt kaasas kanda ja hoida tolmu eemal.

EE

I – VÕIMALIKUD PROBLEEMID – LAHENDUSED

Tagasipõlemise korral (süüde põleti korgi all) lülitage seade välja, laske sel jahtuda (umbes 5 min) ja seejärel taassüüdake seade uuesti. Kui tagasipõlemise probleem püsib, võtke ühendust kohaliku Campingaz®-i esindajaga.

Võimalikud probleemid	Võimalik põhjus/ Lahendus
Põleti ei sütti.	<ul style="list-style-type: none">• Gaas on otsakorral• Regulaator ei tööta• Vooliku, ventiili, pihusti, venturi toru või põleti avaused on umbes. Puhastage venturi toru.
Põleti ei põle ühtaselt või kustub iseenesest	<ul style="list-style-type: none">• Kontrollige gaasivaru• Kontrollige vooliku ühendusi• Uus balloon võib sisaldada õhku. Jätkake kasutamist ja probleem kaob.• Võtke ühendust hooldusteenindusega.
Turtsuv, ebastabiilne leek	<ul style="list-style-type: none">• Uus balloon võib sisaldada õhku. Jätkake kasutamist ja probleem kaob.• Jääkvesi, pärast põleti pesemist või kausi täitmist/tühjendamist. Jätkake kasutamist ja probleem kaob.• Võtke ühendust hooldusteenindusega.
Suur leek põleti pinnal	<ul style="list-style-type: none">• Venturi toru on umbes (ilmselt ämblikuvõrgud, mustus)• Võtke ühendust hooldusteenindusega.
Leek kütusepihusti juures	<ul style="list-style-type: none">• Gaasiballoon on peaaegu tühi.• Vahetage balloon ja tõrge kaob iseenesest.• Võtke ühendust hooldusteenindusega.
Leek ühenduse juures	<ul style="list-style-type: none">• Lekkiv ühenduskoht.• Keerake koheselt gaasiballooni kraan kinni.• Tihendage ühendusi ja kontrollige võimalikke leket.• Võtke ühendust hooldusteenindusega.
Liiga madal kuumus	<ul style="list-style-type: none">• Ummistunud pihustid või venturi toru. Puhastage venturi toru.• Võtke ühendust hooldusteenindusega.
Leek kontrollnupu taga	<ul style="list-style-type: none">• Vigane ventiil.• Keerake koheselt gaasiballooni kraan kinni ja lülitage seade välja.• Võtke ühendust hooldusteenindusega.

MOD DE UTILIZARE

NOTĂ: Dacă nu specifică în mod clar, următorii termeni generici "aparatură/unitate/produș/echipament/dispozitiv" care apar în acest manual de instrucțiuni, toți se referă la produsul "360 Grill CV".

Debit: 160 g/h (2.2 kW) - injector nr. 79

Categorie: presiune directă butan.

Vă mulțumim că ați ales un produs Campinggaz.

A - IMPORTANT: ATENȚIE, FOLOȘIȚI GAZE!

- Scopul acestor instrucțiuni este acela de a vă permite să utilizați produsul Campinggaz® 360 Grill CV în mod corect și sigur.
- Vă rugăm să le citiți cu atenție pentru a vă familiariza cu aparatul înainte de asamblarea cartușului de gaz.
- Respectați instrucțiunile acestui mod de utilizare și indicațiile de securitate care figurează pe cartușele CAMPINGGAZ® CV 470 PLUS. Nerespectarea acestor instrucțiuni poate fi periculoasă pentru utilizator și cei din jurul său.
- Păstrați în permanență acest mod de utilizare într-un loc sigur, pentru a-l putea consulta la nevoie.
- Acest aparat trebuie utilizat în exclusivitate cu cartușe Campinggaz® CV 470 PLUS. Utilizarea altor cartușe de gaz poate fi periculoasă.
- Société Application Des Gaz nu acceptă nicio responsabilitate în cazul utilizării altor mărci de cartușe.
- Acest aragaz trebuie utilizat doar în aer liber, într-un loc ferit de alte materiale inflamabile.
- Nu utilizați produsul dacă prezintă scurgeri, este deteriorat sau funcționează incorect. Returnați-l comerciantului dvs. sau informați-vă despre cel mai apropiat service.
- Nu modificați niciodată acest produs și nu îl utilizați în scopuri pentru care nu este destinat. Orice modificare a aparatului ar putea fi periculoasă.
- A nu se utiliza acest aparat în case mobile, autovehicule, corturi, cabane, magazii sau orice alte zone închise mici.
- Aparatul nu trebuie utilizat în timp ce dormiți sau lăsat nesupravegheat.
- Toate aparatele care funcționează pe gaz consumă oxigen și emit alte substanțe potențial periculoase și gaze cum ar fi monoxid de carbon (CO).
- Monoxidul de carbon este un gaz inodor, incolor care cauzează simptome asemănătoare răcelii, stare de rău, boală și posibilă moarte, dacă este produs în zonele închise mai sus amintite prin utilizarea aparatului fără aerisire corespunzătoare.

B - APARATUL DUMNEAVOASTRĂ

Despachetați aparatul și familiarizați-vă cu acesta (Fig. 1A & 1B)

- | | |
|--------------------------|--------------------------|
| (1) Capac de plastic | (7) Regulator |
| (2) Grătar pentru gătit | (8) Suport de cartuș |
| (3) Difuzor de căldură | (9) Buton de control |
| (4) Suport pentru tigele | (10) Buton de blocare |
| (5) Rezervor de apă | (16) Geantă de transport |
| (6) Bază | |

C - MONTAREA UNUI CARTUȘ CAMPINGGAZ® CV 470 PLUS

(În cazul în care cartușul existent este gol, citiți secțiunea G, „Îndepărtarea cartușului”).

Pentru montarea sau demontarea unui cartus de gaz, manevrați aparatul doar într-un loc bine aerisit, de preferință în aer liber, și evitați să lucrați în prezența unei surse de foc, de cardura sau de scânteii (țigari, aparate electrice, etc.), departe de alte persoane și materiale inflamabile.

CARTUSELE CAMPINGGAZ® CV 470 PLUS FIIND CU VALVA, POT FI DEMONTATE DIN ACEST APARAT CU SCOPUL DE A FACILITA TRANSPORTUL LOR CHIAR DACA NU SUNT GOALE SI POT FI REMONTATE PE ALTE APARATE CAMPINGGAZ® DIN GAMA CV 470 PLUS CONCEPTE SĂ FUNCȚIONEZE EXCLUSIV CU ACESTE CARTU SE.

1. Rotiți butonul de aprindere în sensul acelor de ceasornic în poziția oprit (O) până când se oprește. (Fig. 7A)
2. Înfiletați ușor cartușul de gaz, rotindu-l în sensul acelor de ceasornic, până când auziți un clic (aproximativ o șesime de rotire). Nu forțați rotirea cartușului mai mult decât atât. Riscați să deteriorați supapa cartușului. (Fig. 7B)

În cazul unei scurgeri (miros de gaz înainte de activarea robinetului), scoateți imediat aparatul în aer liber, într-o zonă bine aerisită, fără surse de aprindere, în care scurgerea poate fi localizată și remediată. În cazul în care doriți să verificați dacă aparatul dvs. prezintă scurgeri, faceți acest lucru în aer liber. Nu încercați să detectați scurgerile cu o flăcără, ci folosiți apă cu săpun.

D - VERIFICAREA SCURGERILOR DE GAZ

1. A se feri de materialele inflamabile, nu fumați în apropierea aparatului.
2. Asigurați-vă că butonul de reglaj este în poziția „OFF” (O).
3. Fixați regulatorul pe cartușul de gaz (consultați secțiunea C).
4. Nu utilizați niciodată o flăcără pentru a detecta o scurgere de gaz. Folosiți o soluție pentru verificarea scurgerilor de gaz.
5. Aplicați soluția pe conexiunile dintre cartuș/regulator/furtun/aparat (Fig. 14).
6. Deschideți supapa reglatoare (7) (Fig. 1B) rotind butonul în sens invers acelor de ceasornic, de la - spre + [butonul de reglaj trebuie să rămână în poziția „OFF” (O)]. Dacă se formează bule în soluția de verificare a scurgerilor de gaz, înseamnă că există o scurgere de gaz.
7. Închideți supapa regulatorului.
8. Până când scurgerea nu se remediază, aragazul nu trebuie utilizat.
9. Deconectați regulatorul de la cartuș și contactați serviciul local post-vânzare pentru asistență.

Important: Verificați dacă sunt scurgeri cel puțin o dată pe an și de fiecare dată când înlocuiți cartușul de gaz.

E - PREGĂTIRE PENTRU UTILIZARE

360 Grill :

A - Capac de plastic :

Capacul de plastic este fixat pe partea de sus a focarului cu ajutorul unor cleme (Fig. 2). Acesta ține toate piesele interioare la locul lor în timpul transportului. Îndepărtați-l înainte de utilizare.

B - Utilizarea rezervorului de apă :

Așezați aparatul pe o suprafață plană. Umpleți rezervorul cu apă până la marcajul MAX. (Fig. 3A) Aveți grijă să nu vărsați apă pe arzător.

După sesiunea de gătit puteți decupla rezervorul de apă pentru a arunca amestecul de apă și grăsime și pentru a-l curăța. Puteți utiliza buretele umedizat cu un detergent neabraziv sau puneți rezervorul în mașina de spălat vase.

Decuplați rezervorul de apă prin tragerea butonului de blocare (10). Mențineți butonul în poziția de oprire, îndepărtați rezervorul prin tragerea sa în sus. (Fig. 3B)

După curățare, puneți înapoi rezervorul pe bază:

- 1- Trageți butonul de blocare (10) (Fig. 3C)
- 2- Aliniați vizorul de flacără (11) cu butonul de control (9). Crestăturile (12) de la baza rezervorului trebuie să fie aliniate cu axa de blocare (13) (Fig. 3D)
- 3- Puneți rezervorul pe suportul său
- 4- Eliberați butonul, rezervorul este blocat (Fig. 3E)

Umpleți rezervorul cu apă până la setarea MAX dacă doriți s-l refolosiți. (Fig. 3A)

C - Suport pentru tigaie :

Puneți suportul pentru tigaie la loc. Aveți grijă să introduceți cele 3 creștături ale bazei în cele 3 flapsuri ale centrului focarului. Rotirea suportului este blocată. Aparatul dumneavoastră este gata de utilizare. (Fig. 4)

D - Difuzor de căldură :

Puneți difuzorul de căldură deasupra brațelor suportului pentru tigaie, aliniind creștăturile celor 3 suporturi ale sale cu fiecare braț al suportului. (Fig. 5)

E - Grătar pentru gătit :

Plasați grătarul pentru gătit pe cele 3 suporturi ale sale deasupra focarului, având grijă să puneți suprafața dorită în sus. (Fig. 6A & 6B)

Support de cartuș :

Aparatul dumneavoastră este dotat cu un suport de cartuș. Acest suport permite fixarea cartușului pe marginea mesei. Astfel să fie cartușul cât mai departe de sursa de căldură și suprafața mesei să rămână liberă.

- Plasați aparatul în mijloc și derulați furtunul până la marginea mesei.
- Fixați suportul de cartuș pe marginea mesei. Lungimea șurubului de reglare permite adaptarea la majoritatea meselor. (Fig. 8)

Deșurubați șurubul de reglare (14) astfel ca spațiul dintre cele 2 tamponi de cauciuc să se potrivească cu grosimea blatului de masă (Fig. 9A), aplicați suportul pe marginea mesei și strângeți șurubul, pentru a asigura fixarea în siguranță de masă. (Fig. 9B)

- Faceți mecanismul de împingere (15) să alunece către partea superioară și introduceți regulatorul în carcasa destinată acestui scop. (Fig. 10A & 10B)
- Lăsați mecanismul de împingere să meargă în jos, astfel ca regulatorul să rămână la loc datorită arcului. (Fig. 10C)
- Verificați ca furtunul să fie desfășurat liber, fără torsiuni sau tracțiuni și fără contact cu orice suprafață fierbinte a

aparaturii. (Fig. 11) Niciodată nu trageți de furtun sau nu-l răsușiți.

PRECAUȚII DE SIGURANȚĂ

Nu utilizați aparatul la o distanță mai mică de 20 cm de un perete sau un obiect inflamabil.

Așezați aparatul pe o suprafață stabilă, orizontală, și nu îl mișcați în timpul utilizării, pentru a evita formarea unor flăcări mari cauzate de arderea butanului lichid în locul butanului vaporizat. În acest caz, opriti butonul de control și repositionați aparatul.

Nu folosiți vase de gătit cu diametrul mai mic de 12 cm sau mai mare de 26 cm.

Înainte de a porni aparatul cu reglajul Grill sau Plancha, asigurați-vă că umpleți rezervorul cu apă până la nivelul "MAX".

Protejați aparatul de vânt, performanța sa va fi mai bună.

Nu lăsați niciodată plita de gătit pe foc fără alimente mai mult de un minut (cu excepția perioadei de preîncălzire inițială), în caz contrar se deteriorează stratul exterior special.

Pentru a evita deteriorarea învelișului antiaderent, folosiți întotdeauna ustensile de gătit din silicium sau lemn pentru mâncăruri.

Așteptați până când dispozitivul s-a răcit complet înainte de a îl pregăti pentru depozitare.

Atenție: unele piese ar putea fi foarte fierbinți. Feriți aparatul de accesul copiilor mici.

Se recomandă să purtați mănuși de protecție pentru manipularea componentelor care pot fi foarte fierbinți.

Nu utilizați niciodată aparatul înainte de a citi cu atenție și a înțelege instrucțiunile. Asigurați-vă în plus că:


- nu există scurgeri.
- tubul arzătorului nu este obstrucționat (de pânze de păianjen etc.).
- furtunul nu atinge componente care s-ar putea înfierbânta.

Important: verificați prezența flăcărilor prin fereastra pentru arzător de deasupra butonului de reglare (11) (Fig. 1A). În cazul în care arzătorul se stinge în timp ce gătiți, închideți imediat supapa de gaz și așteptați 5 minute până la evaporarea gazului. Aprindeți din nou aparatul după acest timp de așteptare.



F - UTILIZAREA APARATULUI

APRINDEREA ARZĂTORULUI

Aprinderea prin piezo (Fig. 12)

1. Porniți alimentarea cu gaz, rotind valva de pe regulator către "+". (Fig. 12A)
2. Rotiți butonul de control în sensul invers acelor de ceasornic (către „”), astfel încât acesta să fie deschis complet. Așteptați 3 secunde, astfel ca circuitul să se umple, apoi apăsați complet butonul, până auziți un clic.
3. Repetați apăsarea de 3 sau 4 ori, dacă este cazul, până când arzătorul se aprinde (verificați flacăra prin vizorul (11) de pe partea frontală a rezervorului).
4. Dacă arzătorul nu se aprinde, rotiți butonul de aprindere în sensul acelor de ceasornic în poziția oprit (O) până când se oprește. Așteptați 5 minute înainte de a repeta operațiunea.
5. Dacă arzătorul nu se aprinde după 2 încercări, puteți A. continua cu Aprinderea cu chibrituri din secțiunea de mai jos sau B. puteți citi instrucțiunile de depanare din secțiunea I.

Aprindere cu chibrit (Fig. 13):

1. Porniți alimentarea cu gaz, rotind valva de pe regulator către "+". (Fig. 13A)
2. La nevoie îndepărtați grătarul pentru gătit și puneți un chibrit aprins aproape de arzător.
3. Rotiți butonul de control spre reglajul inferior de putere (către ).
4. Verificați prezența flăcării prin vizor (11).
5. Puneți la loc grătarul pentru gătit.
6. Măriți puterea prin rotirea butonului în sens contrar acelor de ceasornic până la reglajul .

GĂTIT

A - Utilizarea aparatului ca și grill

1. Asigurați-vă că rezervorul este umplut cu apă până la nivelul "MAX" și suportul pentru tigele și difuzorul de căldură sunt instalați în conformitate cu secțiunea E.
2. Preîncălziți placa de gătit timp de aproximativ 10 minute la putere maximă pentru a atinge temperatura ideală pentru gătit. Puneți ingredientele pe plită și ajustați temperatura cu butonul de control după placul dumneavoastră.
3. După 1 oră de gătit verificați cantitatea de apă din rezervor. La nevoie adăugați apă până la nivelul MAX.

Plita de gătit este acoperită cu un material neaderent de înaltă calitate, care asigură o alimentație sănătoasă fără adăos de grăsimi sau ulei.

Substanțele grase sunt colectate în rezervorul de apă, mâncarea dumneavoastră este perfect sănătoasă (fără reziduuri de grăsimi carbonizate), iar ingredientele își păstrează savoarea.

A decolorare albăstruie a plitei de gătit se datorează dezvoltării puternice a căldurii. Aceasta nu influențează calitatea materialului utilizat.

B - Utilizarea aparatului ca și aragaz

IMPORTANT: Plita de gătit trebuie luată atunci când aparatul este utilizat ca și aragaz. Nu puneți niciodată vasele de gătit pe plita de gătit sau pe difuzorul de căldură.

Plasați vasul de gătit (tigaie de prăjit, tigaie...) pe suportul pentru tigaie, centrat deasupra arzătorului. Asigurați ca flacăra să nu depășească fundul vasului de gătit.

Nu folosiți vase de gătit cu diametrul mai mic de 12 cm sau

mai mare de 26 cm.

OPRIRE

Rotiți butonul de aprindere în sensul acelor de ceasornic în poziția oprit (O) până când se oprește.

G - DEMONTAREA BUTELIEI

Butelia poate fi demontată chiar dacă aceasta nu este goală.

1. Rotiți butonul de aprindere în sensul acelor de ceasornic în poziția oprit (O) până când se oprește.
2. Așteptați răcirea aparatului.
3. Ținând regulatorul, desfiletați ușor cartușul de gaz, rotindu-l în sensul invers acelor de ceasornic, până când auziți un clic (aproximativ o șesime de rotire), apoi îndepărtați-l.
4. Nu aruncați niciodată un cartuș care nu este gol. Verificați prin agitare să nu existe lichid în cartuș.

H - ÎNTREȚINERE & DEPOZITARE

Dacă aveți grijă de grătarul dvs. în mod corespunzător, veți putea să vă bucurați de utilizarea acestuia timp de mulți ani.

- Nu curățați grătarul când acesta este utilizat. Așteptați până când se răcește, pentru a evita arsurile cauzate de părțile fierbinți (tavă, grătar, suport pentru tigaie, rezervor etc.).
- Odată ce unitatea s-a răcit (aproximativ 15 minute), îndepărtați plita de gătit, difuzorul de căldură și suportul pentru tigaie. Deblocați rezervorul de la bază, urmând secțiunea E. Goliți-l de apă.
- Curățați părțile murdare de grăsime cu detergent de vase și apă.
- Pentru a simplifica curățarea, capacul, plita de gătit, rezervorul, suportul pentru tigaie pot fi spălați în mașina de spălat vase.
- Când curățați, evitați să înfundăți găurile arzătorului. Dacă găurile sunt înfundate, de exemplu de alimente, încercați să le curățați cu o pensulă nemetalică.
- După curățare, asamblați înapoi piesele demontabile ale aparatului, puneți capacul înapoi și închideți-l, apăsând pe cele 3 cleme. (Fig. 2)
- Grătarul trebuie depozitat într-un loc sigur, securizat și uscat, să nu fie la îndemâna copiilor și niciodată într-o pivniță.
- Dacă grătarul nu va fi folosit o perioadă lungă de timp, deconectați butelia așa cum este indicat în secțiunea G.
- Dacă grătarul nu a fost utilizat timp de 30 de zile, verificați dacă găurile arzătorului nu sunt înfundate; acest lucru ar putea duce la o scădere a eficienței arzătorului sau la aprinderea periculoasă a gazului în afara arzătorului.
- Depozitați aparatul în geantă (16). Această geantă permite transportarea ușoară a aparatului sau depozitarea ferită de praf.

RO

I – PROBLEME POSIBILE/ ACȚIUNI CORECTIVE

În cazul unei arderi greșite (aprindere sub capacul arzătorului) opriți produsul, lăsați-l să se răcească (aproximativ cinci minute), apoi reaprindeți aparatul. În cazul în care problema de ardere greșită persistă, vă rugăm să vă contactați reprezentantul local Campinggaz®.

Probleme posibile	Cauze probabile/ Acțiuni corective
Arzătorul nu se aprinde	<ul style="list-style-type: none">• Sursă de alimentare necorespunzătoare• Regulatorul nu funcționează corect• Furtunul, supapa, tubul sau găurile arzătorului sunt obstrucționate. Curățați pe rând toate acestea.
Arzătorul arde întrerupt sau se stinge	<ul style="list-style-type: none">• Verificați dacă există gaz• Verificați racordarea furtunului• Contactați unitatea de service.
Flacără întreruptă	<ul style="list-style-type: none">• Butelia nouă poate conține aer. Lăsați grătarul să funcționeze câteva minute• Apă reziduală, după spălarea arzătorului sau umplerea/golirea recipientului. Lăsați grătarul să funcționeze câteva minute.• Contactați unitatea de service.
Flacără mare la aprindere	<ul style="list-style-type: none">• Furtunul este obstrucționat• Contactați unitatea de service
Flamă la injector	<ul style="list-style-type: none">• Butelia este aproape goală• Schimbați butelia• Contactați unitatea de service.
Scurgere de gaz la aprindere	<ul style="list-style-type: none">• Opriți alimentarea cu gaz imediat• Strângeți piulițele sau schimbați furtunul• Contactați unitatea de service.
Căldură insuficientă	<ul style="list-style-type: none">• Tubul injectorului sau furtunul este obstrucționat. Curățați furtunurile.• Contactați unitatea de service.
Scurgeri de gaz în spatele butonului de deschidere	<ul style="list-style-type: none">• Supapă defectă• Opriți grătarul• Contactați unitatea de service.

PRIMJENA

NAPOMENA: Ako nije navedeno drugačije, svi sljedeći generični pojmovi „aparati / jedinice / proizvodi / oprema / uređaji“ navedeni u ovom priručniku s uputama se odnose na proizvod „360 Grill CV“.

Protok: 160 g/h (2.2 kW) - injektor n° 79

Kategorija: smjesa butana pod tlakom

Hvala vam što ste odabrali proizvod marke Campingaz®.

A - VAŽNO: OPREZNO POSTUPAJTE S PLINOM !

- Ove upute služe tome da vam omoguće ispravnu i sigurnu uporabu uređaja Campingaz® 360 Grill CV.
- Pažljivo ih pročitajte kako biste se upoznali s uređajem prije nego što montirate plinsku kartušu.
- Postupajte u skladu s ovdje navedenim uputama i slijedite sigurnosne smjernice navedene na kartuši CAMPINGAZ® CV 470 PLUS. Nepoštivanje ovih uputa može prouzročiti opasnost za korisnike i njihovu okolinu.
- Spremite ove upute na sigurno mjesto za buduće potrebe.
- Ovaj se uređaj isključivo smije upotrebljavati s kartušama Campingaz® CV 470 PLUS. Uporaba drugih plinskih kartuša može biti opasna.
- Društvo Société Application Des Gaz ne preuzima odgovornost za uporabu kartuša drugih marki.
- Ovaj roštilj treba upotrebljavati samo na otvorenom i daleko od zapaljivih materijala.
- Ne upotrebljavajte uređaj iz kojeg curi, koji je oštećen ili ne radi ispravno. Umjesto toga vratite ga trgovcu koji će vas obavijestiti o najbližem poslijeprodajnom servisu.
- Nikad nemojte preinačavati uređaj niti ga upotrebljavati u svrhe za koje nije namijenjen. Sve preinake na uređaju mogu biti opasne.
- Ne upotrebljavajte ovaj uređaj u kamp-kućicama, automobilima, šatorima, kolibama, šupama ili malim zatvorenim prostorima.
- Uređaj ne smije raditi dok spavate i nemojte ga ostavljati bez nadzora.
- Svi uređaji koji rade na plin troše kisik i ispuštaju druge potencijalno opasne tvari i plinove poput ugljičnog monoksida (CO).
- Ugljični monoksid je čisti plin bez mirisa koji može prouzročiti simptome slične gripi, mučninu, bolost i moguću smrt ako nastaje u navedenim zatvorenim prostorima kad se uređaj upotrebljava bez dobrog prozračivanja.

B - UREĐAJ

Raspakirajte i pogledajte uređaj (Sl. 1A i 1B)

- | | |
|------------------------|----------------------------|
| (1) Plastični poklopac | (7) Regulator |
| (2) Ploča za pečenje | (8) Nosač kartuše |
| (3) Difuzor topline | (9) Upravljački gumb |
| (4) Nosač posuda | (10) Gumb za zaključavanje |
| (5) Spremnik za vodu | (16) Vreća za nošenje |
| (6) Postolje | |

C - MONTAŽA KARTUŠE CAMPINGAZ® CV 470 PLUS

(Ako je postojeća kartuša prazna, pročitajte odjeljak G, „Uklanjanje kartuše“).

Spajanje ili odspajanje boce uvijek obavljajte u dobro prozračenom prostoru, po mogućnosti na otvorenom, podalje od zapaljivih materijala i ostalih ljudi, nikada u blizini otvorenog plamena, topline ili izvora iskrenja (cigarete, električne opreme, itd).

PUNJENJE CAMPINGAZ® CV 470 PLUS IMA VENTIL, I MOŽE SE SKINUTI SA APARATA KAKO BI SE OLAKŠAO TRANSPORT ČAK I KAD NIJE PRAZAN I POSTAVITI NA DRUGE APARATE IZ GRUPE CAMPINGAZ® CV 470 PLUS KOJE FUNKCIONIRAJU ISKLJUČIVO SA TIM PUNJENJEM.

1. Upravljački gumb okrećite u smjeru kazaljke na satu do položaja isklj. (O) sve dok se ne zaustavi. (Sl. 7A)
2. Oprezno zavrните plinsku kartušu okrećući je u smjeru kazaljke na satu sve dok ne čujete „klik“ (približno jednu šestinu okretaja). Nemojte nasilu nastavljati okretati kartušu jer tako možete oštetiti njezin ventil. (Sl. 7B)

U slučaju curenja (miris plina prije otvaranja ventila) odmah iznesite uređaj van u dobro prozračeno područje bez zapaljivih izvora u kojem se curenje može pronaći i zaustaviti. Ako želite provjeriti curi li iz uređaja, napravite to na otvorenom. Ne pokušavajte otkriti curenja pomoću plamena ili vode sa sapunicom.

D - PROVJERA CURENJA PLINA

1. Držite podalje od zapaljivih materijala, nemojte pušiti blizu uređaja.
2. Provjerite je li kontrolni gumb u položaju „OFF“ (O).
3. Montirajte regulator na patroni za plin (vidi odjeljak C).
4. Nikada nemojte upotrebljavati plamen za otkrivanje curenja plina. Upotrebljavajte otopinu za provjeru curenja plina.
5. Nanesite otopinu na spojeve između patrone/regulatora/crijeva/uređaja (Sl. 14).
6. Otvorite regulacijski ventil (7) (Sl. 1B) okretanjem u smjeru suprotnom od kretanja kazaljke na satu od - prema + (Kontrolni gumb treba ostati u položaju „OFF“ (O)). Mjehurići u rastvoru za provjeru curenja plina ukazuju curi li plin.
7. Zatvorite ventil regulatora.
8. Roštilj se ne smije koristiti dok se u potpunosti ne eliminira curenje plina.
9. Odvojite regulator od patrone i obratite se za pomoć lokalnoj službi za pomoć korisnicima.

Važno: Provjeravajte ima li curenja najmanje jednom godišnje i svaki put kad se zamijeni patrona.

HR

E - PRIPREME ZA UPORABU

360 Grill:

A - Plastični poklopac:

Plastični poklopac pričvršćen je na vrh ložišta ložište kopčama (Sl. 2). On drži na mjestu sve unutrašnje dijelove tijekom transporta. Uklonite ga prije uporabe.

B - Uporaba spremnika za vodu:

Postavite uređaj na ravnu površinu. Spremnik napunite vodom do oznake MAX. (Sl. 3A) Pazite na to da ne proljetite vodu po plameniku.

Nakon pečenja možda ćete trebati odspojiti spremnik vode kako biste odložili mješavinu vode i masti te očistili spremnik. Možete upotrebljavati spužvu navlaženu neabrazivnim sredstvom za čišćenje ili staviti spremnik u perilicu posuđa.

Spremnik za vodu odspojite povlačenjem gumba za zaključavanje (10). Držite gumb pritisnutim sve dok se ne zaustavi, uklonite spremnik pomicanjem prema gore. (Sl. 3B)

Nakon čišćenja vratite spremnik na postolje:

- 1- Pritisnite gumb za zaključavanje (10) (Sl. 3C)
- 2- Poravnajte prozor za prikaz plamena (11) s upravljačkim gumbom (9). Utori (12) postolja spremnika moraju biti poravnati s osovinom za zaključavanje (13) (Sl. 3D)
- 3- Postavite spremnik na njegov nosač
- 4- Pustite gumb, spremnik je zaključan (Sl. 3E)

Napunite spremnik vodom do razine MAX kada ga ponovno želite upotrebljavati. (Sl. 3A)

C - Nosač posuda:

Stavite nosač posuda na mjesto. Pazite na to da umetnete 3 utora njegovog postolja u 3 zaklopke na sredini ložišta. Blokirano je okretanje nosača. Uređaj je spreman za uporabu kao štednjak. (Sl. 4)

D - Difuzor topline:

Postavite difuzor topline na vrh krakova nosača posuda poravnavajući utore njegovih 3 nosača sa svakim krakom nosača. (Sl. 5)

E - Ploča za pečenje:

Postavite ploču za pečenje na njezina 3 nosača i onda na vrh ložišta, pazite na to da stavite željenu površinu na vrh. (Sl. 6A i 6B)

Nosač kartuše:

Uređaj je opremljen nosačem kartuše. Ovaj nosač omogućuje da pričvrstite kartušu na rub stola. Tako je kartuša udaljena od izvora topline, a on se ne nalazi na površini stola.

- Stavite uređaj u sredinu i odmotajte crijevo do ruba stola.
- Pričvrstite nosač kartuše na rub stola. Duljina vijka za namještanje omogućuje prilagodbu većini stolova. (Sl. 8)

Odvrtite vijak za namještanje (14) tako da razmak između 2 gumenih podloški odgovara debljini okvira stola (Sl. 9A), napravite prorez na nosaču na rubu stola te zatim pričvrstite vijak kako biste osigurali sigurno pričvršćivanje na stol. (Sl. 9B)

- Potiskivač (15) pomaknite prema vrhu i umetnite regulator u kućište koje je konstruirano radi toga. (Sl. 10A i 10B)
- Spustite potiskivač, pomoću opruge regulator ostaje na mjestu. (Sl. 10C)
- Provjerite je li crijevo labavo odmotano, bez uvrtnja i natezanja te da nije u dodiru s vrućim površinama uređaja. (Sl. 11) Nikad nemojte potezati crijevo ili ga zavrtati.

MJERE PREDOSTROŽNOSTI

Ne upotrebljavajte uređaj ako je udaljen manje od 20 cm od zida ili zapaljivog predmeta.

Uređaj postavite na stabilnu vodoravnu površinu i ne pomičite se dok ga upotrebljavate kako biste izbjegli veliki plamen koji nastaje izgaranjem tekućeg butana, a ne izgaranjem butana koji isparava. Ako dođe do toga, isključite upravljački gumb i promijenite položaj uređaja.

Nemojte upotrebljavati posudu za kuhanje promjera manjeg od 12 cm ili većeg od 26 cm.

Prije nego što uključite uređaj u postavkama Grill ili Plancha, pazite na to da napunite spremnik vodom do oznake „MAX“.

Ako zaštitite uređaj od vjetera, poboljšat ćete njegove performanse.

Nikad ne ostavljajte ploču za pečenje bez namirnica dulje od jedne minute (iznimka je za vrijeme početnog zagrijavanja) jer će se u suprotnom oštetiti posebni premaz.

Kako ne biste oštetili sloj protiv prijanjanja, uvijek upotrebljavajte pribor za kuhanje od silikona ili drva za rukovanje svojim posuđem.

Pričekajte dok se uređaj potpuno ne ohladi prije nego što ga spremite.

Oprez: neki dijelovi mogu biti vrlo vrući. Mala djeca ne smiju se nalaziti u blizini uređaja.

Preporučuje se da prilikom rukovanja komponentama koje mogu biti vrlo vruće nosite zaštitne rukavice.

Nikad ne koristite uređaj dok pažljivo ne pročitate i shvatite upute. Pored toga, pobrinite se da:

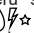
- nema curenja.
- Uvjerite se da cijev plamenika nije blokirana (paukovim mrežama itd.).
- crijevo ne dira bilo koje dijelove koji mogu postati vrući.

Važno: Provjerite postojanje plamena kroz prozor na odjeljku za izgaranje preko kontrolnog gumba (11) (Sl. 1A). Ako se plamenik ugasi tijekom roštiljanja, odmah zatvorite ventil za plin i sačekajte 5 minuta da plin ispari. Nakon ovog vremena čekanja ponovno potpalite uređaj.

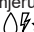
F - UPORABA

PALJENJE PLAMENIKA

Paljenje električnom iskrom (piezo) (Sl. 12)

1. Otvorite dovod plina okretanjem ventilatora na regulatoru prema „+“. (Sl. 12A)
2. Upravljački gumb okrenite u smjeru suprotnom od smjera kazaljke na satu (prema „“) tako da se potpuno otvori. Pričekajte 3 sekunde da se krug napuni, ugurajte pritisnite gumb do kraja dok ne čujete zvuk „klik“.
3. Prema potrebi, ponovite pritisak na gumb 3 do 4 puta sve dok se ne upali plamenik (provjerite plamen kroz prozor (11) na prednjem dijelu spremnika).
4. Ako se plamenik ne može upaliti, upravljački gumb okrenite u smjeru kazaljke na satu do položaja isklj. (O) sve dok se ne zaustavi. Pričekajte 5 minuta prije nego što ponovite radnju.
5. Ako se plamenik ne upali nakon drugog pokušaja, možete **A**) prijeći na donji odjeljak „Paljenje žigicom“ ili **B**) pročitati odjeljak I „Uklanjanje smetnje“.

Paljenje žigicom (Sl. 13):

1. Otvorite dovod plina okretanjem ventilatora na regulatoru prema „+“. (Sl. 13A)
2. Prema potrebi, uklonite ploču za pečenje, stavite upaljenu žigicu u blizini plamenika.
3. Upravljački gumb okrenite na postavku niske snage (prema \hat{O}).
4. Provjerite kroz prozor (11) vidi li se plamen.
5. Ploču za pečenje vratite na mjesto.
6. Povećajte snagu okretanjem gumba u smjeru suprotnom od smjera kazaljke na satu do postavke .

PEČENJE

A - Uporaba uređaja kao roštilja

1. Provjerite je li spremnik napunjen vodom do oznake „MAXI“ i jesu li nosač posude i difuzor topline ugrađeni kao što je to opisano u odjeljku E.
2. Prethodno zagrijavajte ploču za kuhanje oko 10 minuta na maksimalnoj snazi kako biste dosegli idealnu temperaturu za kuhanje. Namirnice stavite na ploču i pomoću upravljačkog gumba namjestite temperaturu po vlastitoj želji.
3. Nakon sat vremena pečenja provjerite količinu vode u spremniku. Prema potrebi napunite spremnik vodom do oznake „MAX“.

Ploča za pečenje prekrivena je visokokvalitetnim neprianjajućim materijalom koji omogućuje zdravu prehranu bez dodatka masti ili ulja.

Masne tvari prikupljaju se u spremniku vode, a vaš je obrok savršeno zdrav (bez ostataka masti ili zagorenih masti) i sastojci zadržavaju sav svoj okus.

Plavkasta promjena boje na ploči za pečenje posljedica je nastanka jake topline. To ne narušava kvalitetu upotrijebljenog materijala.

B - Uporaba uređaja kao štednjaka

VAŽNO: Kad se uređaj upotrebljava kao štednjak, potrebno je ukloniti ploču za pečenje. Nikad ne stavljajte posude za kuhanje na ploču za pečenje ili difuzor topline.

Posudu za kuhanje (tava, posuda...) stavite na nosač posude, na sredini plamenika. Pazite na to da plamen ne prelazi donju stranu posude za pečenje.

Nemojte upotrebljavati posudu za kuhanje promjera manjeg od 12 cm ili većeg od 26 cm.

ISKLJUČIVANJE

Upravljački gumb okrećite u smjeru kazaljke na satu do položaja isklj. (O) sve dok se ne zaustavi.

G - ODSPAJANJE BOCU

Bocu možete odspojiti čak i ako nije prazna.

1. Upravljački gumb okrećite u smjeru kazaljke na satu do položaja isklj. (O) sve dok se ne zaustavi.
2. Pričekajte da se uređaj ohladi.
3. Držeći regulator odvrnite plinsku kartušu okrećući je u smjeru suprotnom od smjera kazaljke na satu sve dok ne čujete „klik“ (približno jednu šestinu okretaja), zatim ga uklonite.
4. Nikad ne bacajte punjenje koje nije prazno. Protresanjem kartuše provjerite da se u njoj ne nalazi tekućina.

H - ODRŽAVANJE I ČUVANJE

Ako prikladno pazite na uređaj, moći ćete te ga upotrebljavati dugi niz godina.

- Ne čistite uređaj za vrijeme uporabe. Pričekajte da se ohladi kako biste izbjegli opekline prouzročene vrućim dijelovima (ploča, rešetka, nosač posude, spremnik itd.).
- Kad se jedinica ohladi (približno nakon 15 minuta), uklonite ploču za pečenje, difuzor topline i nosač posude. Odvrnite spremnik s postolja u skladu s odjeljkom E. Izlijte vodu.
- Masne dijelove očistite sapunom i vodom ili neabrazivnim sredstvom za čišćenje.
- Kako bi se pojednostavnilo čišćenje, poklopac, ploča za pečenje, spremnik, nosač posude mogu se prati u perilici posuđa.
- Prilikom čišćenja pazite na to da ne začepite otvore plamenika. Ako su otvori začepljeni, primjerice, hranom koja je prolivena, uklonite ih nemetalnom četkom.
- Nakon čišćenja ponovno montirajte odvojive dijelove uređaja, ponovno stavite poklopac i zatvorite ga tako što pritisnete 3 štipaljke. (Sl. 2)
- Uređaj treba pohraniti na sigurnom, osiguranom i suhom mjestu, izvan dohvata djece i nikada u podrumu.
- Ako se uređaj neće upotrebljavati duže vrijeme, odspojite cilindar kao što je to prikazano u odjeljku G.
- Ako uređaj ne upotrebljavate 30 dana, provjerite da paučina nije začepila otvore crijeva plamenika, što bi moglo dovesti do smanjenja učinkovitosti plamenika ili opasnog zapaljenja plina izvan plamenika.
- Uređaj spremite u vreću (16). Ova vam vreća omogućuje da jednostavno nosite uređaj ili da ga spremite tako da je zaštićen od prašine.

I - UKLANJANJE SMETNJI

U slučaju povraćaja plamena (paljenja ispod poklopca gorionika), isključiti proizvod, pričekati da se ohladi (otprilike pet minuta), a zatim ponovno upaliti uređaj. Ako se problem povraćaja plamena ne riješi, obratite se svojem lokalnom predstavniku tvrtke Campingaz®.

Mogući problemi	Vjerojatni uzroci / korektivne mjere
Plamenik se ne pali	<ul style="list-style-type: none">• Slaba opskrba plinom• Regulator ne radi ispravno• Cijevi, ventil, venturijeva cijev ili otvori plamenika su začepljeni. Očistite venturijevu cijev.
Plamenik gori neujednačeno ili se gasi	<ul style="list-style-type: none">• Provjerite ima li plina• Provjerite cijevni priključak• Obratite se ovlaštenom serviseru.
Plamen gori neujednačeno	<ul style="list-style-type: none">• Novi cilindri mogu sadržavati zrak. Ostavite uređaj da radi i nepravilnost će se sama ispraviti• Ostatci vode nakon pranja plamenika ili punjenja/pražnjenja zdjele. Ostavite uređaj da radi i nepravilnost će se sama ispraviti.• Obratite se ovlaštenom serviseru.
Veliki plamen na površini plamenika	<ul style="list-style-type: none">• Venturijeva cijev je začepljena (vjerojatno paučinom)• Obratite se ovlaštenom serviseru.
Plamen na injektoru	<ul style="list-style-type: none">• Cilindar je gotovo prazan• Promijenite cilindar i nepravilnost će se sama ispraviti• Obratite se ovlaštenom serviseru.
Zapaljeno mjesto curenja oko spoja	<ul style="list-style-type: none">• Odmah isključite dovod plina• Curenje spoja: zategnite navoje ili promijenite cijev• Obratite se ovlaštenom serviseru.
Nedovoljna toplina	<ul style="list-style-type: none">• Injektor ili venturijeva cijev su začepljeni. Očistite venturijevu cijev.• Obratite se ovlaštenom serviseru.
Zapaljeno mjesto curenja iza gumba za namještanje	<ul style="list-style-type: none">• Ventil je neispravan• Isključite štednjak• Obratite se ovlaštenom serviseru.

HASZNÁLATI UTASÍTÁS

MEGJEGYZÉS: Amennyiben azt másképpen nem jelezzük, a jelen használati útmutatóban előforduló általános kifejezések: „eszköz / elem / termék / berendezés / készülék” minden esetben a „360 Grill CV” típusú termékre vonatkoznak.

Teljesítmény: 160 g/h (2.2 kW) - fűvóka sz. 79

Kategória: közvetlen nyomás alatt - bután keverék

Köszönjük, hogy egy Campingaz® terméket választott.

A - FONTOS: GÁZT HASZNÁL, LEGYEN ÓVATOS!

- Ezen utasítások célja az, hogy lehetővé tegye a Campingaz® 360 Grill CV helyes és biztonságos használatát.
- A gázpatron csatlakoztatása előtt olvassa el figyelmesen ezeket, hogy megismerkedjen a készülékkel.
- Kérjük, tartsa be ezeket az utasításokat és a Campingaz® CV 470 PLUS patronokra nyomtatott biztonsági intézkedéseket. Az utasítások be nem tartása veszélyes lehet a felhasználóra és a környezetére.
- Őrizze a használati utasítást olyan helyen, hogy szükség esetén könnyen megnézhesse.
- Ezt a készüléket kizárólag Campingaz® CV 470 PLUS patronokkal szabad használni. Más gázpatronok használata veszélyes lehet.
- A Société Application Des Gaz nem vállal felelősséget bármilyen más márkájú patronok használata esetén.
- Ezt a grillt csak szabadban szabad használni, gyúlékony anyagoktól távol.
- Ne használja a szivárgó, sérült vagy hibásan működő készüléket. Ehelyett küldje vissza a kiskereskedőnek, aki tájékoztatja Önt a legközelebbi vevőszolgálatról.
- Soha ne módosítsa ezt a készüléket, és ne használja olyan célokra, amelyekre nem szánták. A készülék bármilyen módosítása veszélyes lehet.
- Ne használja ezt a készüléket lakókocsikban, autókban, sátrakban, kunyhókban, fészerekben vagy bármilyen kis zárt helyen.
- A készüléket nem szabad alvás közben használni, vagy felügyelet nélkül hagyni.
- Minden gázzal működő készülék oxigént fogyaszt, és más potenciálisan veszélyes anyagokat és gázokat, például szén-monoxidot (CO) bocsát ki.
- A szén-monoxid szagtalan, tiszta gáz, amely influenza-szerű tüneteket, betegséget, és esetleg halált is okozhat, ha a fent említett zárt helyeken belül keletkezik a készülék használatával, megfelelő szellőzés nélkül.

B - KÉSZÜLÉK

Csomagolja ki a készüléket, és ismerkedjen meg a használatával (1A. és 1B. ábra)

- | | |
|-------------------|---------------------|
| (1) Műanyag fedél | (7) Szabályozó |
| (2) Grill lap | (8) Patron tartó |
| (3) Hő diffúzor | (9) Vezérlógomb |
| (4) Serpenyőtartó | (10) Reteszelt gomb |
| (5) Víz tartály | (16) Hordtáska |
| (6) Alap | |

C - A CAMPINGAZ® CV 470 PLUS PATRON CSATLAKOZTATÁSA

(Ha a meglévő patron üres, olvassa el az G. „A patron eltávolítása” című részt).

A gázpalack leszerelését vagy felszerelését mindig nagyon jól szellőző helyen végezze, lehetőség szerint szabadban. Soha ne legyen nyílt láng, hőforrás vagy szikra a közelben (cigaretta, elektromos berendezés stb.), más személyektől és gyúlékony anyagoktól tartsa távol.

A CAMPINGAZ CV 470 PLUS GÁZPALACKOK SZELEPPEL VANNAK ELLÁTVA ÉS AKKOR IS LEVEHET O A KÉSZÜLÉKRŐL, HA NEM ÜRES A PALACK, ÉS A KÉSZÜLÉK ÚJRA FELSZERELHET O MÁS TÍPUSÚ CAMPINGAZ PALACKRA, MINT CV 470 PLUS. KISGYERMEKEKTŐL TARTSAK TÁVOL!

1. Forgassa a vezérlógombot az óramutató járásával megegyező irányban kikapcsolt helyzetbe (O), ütközésig. (7A. ábra)
2. Óvatosan csavarja be a gázpatront az óramutató járásával megegyező irányba forgatva, amíg kattantást nem hall (kb. hatod fordulat). Ne erőltesse a patron csavarását ennél tovább; fennáll annak a veszélye, hogy megsérül a patron szelepe. (7B. ábra)

Szivárgás esetén (gázzag a csap elzárása előtt) azonnal vigye ki a készüléket a szabadba, jól szellőztetett, gyújtóforrástól mentes helyre, ahol a szivárgás lokalizálható és megállítható. Ha ellenőrizni szeretné, hogy nincs-e szivárgás a készüléken, azt a szabadban tegye meg. Ne próbálja láng segítségével észlelni a szivárgást, használjon szappanos vizet.

D - GÁZSZIVÁRGÁS ELLENŐRZÉSE

1. Tartsa távol gyúlékony anyagoktól, ne dohányozzon a készülék közelében.
2. Győződjön meg arról, hogy a kezelógomb „OFF” (O) állásban van.
3. Szerelje fel a szabályozót a gázpatronra (lásd a C. szakasz).
4. Soha ne használjon lángot a gázzshivárgás észleléséhez. Használjon szivárgáskereső oldatot.
5. Vigye fel az oldatot a patron / szabályozó / tömlő / készülék közötti csatlakozásokra (14. ábra).
6. Nyissa ki a szabályozó szelepét (7) (1B. ábra) az óramutató járásával ellentétes irányba forgatva --ból +ba (a kezelógombnak „OFF” (O) állásban kell maradnia). A buborékok a szivárgáskereső oldatban jelzik, ha gázzshivárgás van.
7. Zárja el a szabályozó szelepét.
8. A grillt addig nem szabad használni, amíg minden szivárgást meg nem szüntettek.
9. Válassza le a szabályozót a patronról, és kérjen segítséget a helyi értékesítés utáni szerviztől.

Fontos: Évente legalább egyszer ellenőrizze, hogy nincs-e szivárgás, és minden alkalommal, amikor cserélik a gázpatront.

E - HASZNÁLATRA VALÓ FELKÉSZÜLÉS

360 Grill:

A - Műanyag fedél:

A műanyag fedél a tűzhely tetejére van rögzítve a kapcsoloknak köszönhetően (2. ábra). Szállítás közben minden belső részt a helyén tart. Használat előtt távolítsa el.

B - A víztartály használata:

Helyezze a készüléket sík felületre. Töltse fel a tartályt vízzel a MAXI szintig. (3A. ábra) Ügyeljen arra, hogy ne öntsön vizet az égőre.

A főzés után leválaszthatja a víztartályt, hogy kiönthesse a víz és a zsír keverékét, és megtisztítsa. Használhat nem súroló hatású tisztítószerrel átitatott szivacsot, vagy elmoshatja a tartályt a mosogatógéppben.

Válassza le a víztartályt a reteszelő gomb (10) meghúzásával. Tartsa lenyomva a gombot, amíg meg nem áll, és vegye ki a tartályt felfelé mozgatva. (3B. ábra)

A tisztítás után tegye vissza a tartályt az alapra:

1- Húzza meg a reteszelő gombot (10) (3C. ábra)

2- Igazítsa a lángfigyelő ablakot (11) a vezérlőgombbal (9).

A tartály alapjának bevágásait (12) a zárótengelehez (13) kell igazítani (3D. ábra)

3- Helyezze a tartályt a tártórája

4- Engedje el a gombot, a tartály zárva van (3E. ábra)

Töltse fel a tartályt vízzel a MAX beállításig, ha újra használni kívánja. (3A. ábra)

C - Serpenyőtartó:

Helyezze a serpenyőtartót a helyére. Ügyeljen arra, hogy az alap 3 bevágását a tűzhely közepének 3 szárnyába illessze be. A tartó forgása blokkolva van. A készülék készen áll a tűzhelyként való használatra. (4. ábra)

D - Hő diffúzor:

Helyezze a hő diffúzort a serpenyőtartó karjai tetejére úgy, hogy a 3 tartó bevágásait a tartó mindkét karjához igazítsa. (5. ábra)

E - Grill lap:

Helyezze a grill lapot a tűzhely tetején lévő 3 tartóra, ügyelve arra, hogy a kívánt felületet tegye a tetejére. (6A. és 6B. ábra)

Patron tartó:

A készülék patron tartóval van ellátva. Ez a tartó lehetővé teszi a patron rögzítését az asztal szélén. Így a patron messze van a hőforrástól, és az asztal felülete mentes tőle.

- Helyezze a készüléket a közepére, és tekerje le a tömlőt az asztal széléig.

- Rögzítse a patron tartót az asztal szélén. A beállító csavar hossza lehetővé teszi a legtöbb asztalhoz való adaptálást. (8. ábra)

Csavarja ki a beállító csavart (14) úgy, hogy a két gumi betét közötti tér illeszkedjen az asztal keretének vastagságához (9A. ábra), csavarja fel az asztal szélén lévő támaszt, majd húzza meg a csavart, hogy biztonságosan rögzítse az asztal. (9B. ábra)

- A nyomólemezt (15) csúsztassa felfelé, és helyezze be a szabályozót az erre a célra tervezett házba. (10A. és 10B. ábra)

- Hagyja leereszkedni a nyomólemezt, így a rugónak köszönhetően a szabályozó a helyén marad. (10C. ábra)

- Ellenőrizze, hogy a tömlő szabad-e, csavarás és tapadás nélkül, és nem érintkezik-e a készülék forró felületeivel. (11. ábra) Soha ne húzza meg és ne csavarja meg a tömlőt.

BIZTONSÁGI ÓVINTÉZKEDÉSEK

Ne használja a készüléket 20 cm-nél kisebb távolságra faltól vagy éghető tárgyaktól.

Helyezze a készüléket stabil, vízszintes felületre, és ne mozgassa használat közben, hogy elkerülje a nagy lángok megjelenését, amelyek folyékony bután, nem pedig elpárolgott bután égéséből származnak. Ha ez megtörténik, kapcsolja ki a vezérlőgombot, és helyezze vissza a készüléket.

Ne használjon 12 cm-nél kisebb vagy 26 cm-nél nagyobb átmérőjű főzőedényt.

Mielőtt a készüléket Grill vagy Plancha üzemmódban bekapcsolná, győződjön meg arról, hogy a tartályt vízzel „MAXI” szintre feltölti.

Védje készülékét a szétlétől, teljesítménye megnő.

Soha ne hagyja tűzön a grill lapot egy percnél hosszabb ideig tartó élelmiszer nélkül (kivéve az első előmelegítési időszakot), különben a speciális bevonat megsérül.

A tapadásmentes bevonat károsodásának elkerülése érdekében mindig használjon szilikonból vagy fából készült edényeket az edények kezeléséhez.

Várja meg, amíg a készülék teljesen lehűl, mielőtt előkészítené a tárolásra.

Vigyázat: egyes részek nagyon forróak lehetnek. Tartsa távol a kisgyermeket a készüléktől.

Javasoljuk, hogy viseljen védőkesztyűt a nagyon forró alkatrészek kezelésére.

Soha ne használja a készüléket, amíg figyelmesen nem elolvasta és meg nem értette az utasításokat. Ezenkívül győződjön meg arról, hogy:

- nincs szivárgás.

- ügyeljen arra, hogy az égőcsövet ne takarja el (pókháló, stb.).

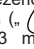
- a tömlő nem ér hozzá olyan alkatrészekhez, amelyek felforrósodhatnak.

Fontos: ellenőrizze a láng jelenlétét a tűzhelyen lévő ablakon keresztül a kezelőgomb (11) felett (1A. ábra). Ha az égő grillezés közben kialszik, azonnal zárja el a gázzelepet, és várjon 5 percet, amíg a gáz elillan. A várakozási idő elteltével kapcsolja be újra a készüléket.

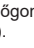

F - HASZNÁLAT

AZ ÉGŐ MEGGYÚJTÁSA

Piezo gyújtás (12. ábra)

1. Nyissa ki a gázellátást, a szabályozó szelepét „+” irányba fordítva. (12A. ábra)
2. Forgassa el a vezérlőgombot az óramutató járásával ellentétes irányba („ felé), hogy teljesen nyitva legyen. Várjon 3 másodpercet, amíg az áramkör feltöltődik, nyomja le teljesen a gombot, amíg kattánást nem hall.
3. Szükség esetén ismétlje meg a nyomást 3-4 alkalommal, amíg az égő meg nem gyullad (ellenőrizze a lángot a tartály elején található ablakon (11) keresztül).
4. Ha az égő nem gyullad meg, forgassa el a vezérlőgombot az óramutató járásával megegyező irányban kikapcsolt helyzetbe (O), ütközésig. Várjon 5 perccel, mielőtt megismétli a műveletet.
5. Ha az égő nem gyullad meg a 2. kísérlet után, akkor **A.** folytassa a Begyújtás gyufával című részzel, vagy **B.** olvassa el a I. Hibaelhárítás című szakaszt.

Begyújtás gyufával (13. ábra):

1. Nyissa ki a gázellátást, a szabályozó szelepét „+” irányba fordítva. (13A. ábra)
2. Szükség esetén vegye le a grill lapot, tegye a meggyújtott gyufát az égő közelébe.
3. Forgassa a vezérlőgombot alacsony energiafogyasztási fokozatba ( felé).
4. Ellenőrizze a láng jelenlétét az ablakon (11) keresztül.
5. Tegye vissza a grill lapot a helyére.
6. Növelje a teljesítményt, és forgassa el a gombot az óramutató járásával ellentétes irányba a beállításig .

FŐZÉS

A - A készülék használata grillként

1. Győződjön meg arról, hogy a tartály fel van töltve vízzel a „MAXI” szintre, és a serpenyőtartó és hő diffúzor a E. szakaszban leírtak szerint van felszerelve.
2. Melegítse elő a főzőlapot körülbelül 10 percig maximális teljesítményen, hogy elérje a főzéshez ideális hőmérsékletet. Helyezze az összetevőket a lapra, és állítsa be a hőmérsékletet a vezérlőgombbal.
3. 1 óra főzés után ellenőrizze a víz mennyiségét a tartályban. Ha szükséges, adjon hozzá vizet a MAXI jelzésig.

A grill lapot kiváló minőségű tapadásmentes anyag borítja, amely egészséges ételeket biztosít zsír vagy olaj hozzáadása nélkül.

A zsíros anyagok összegyűlnek a víztartályban, az ételek tökéletesen egészséges (nincs maradék vagy odaégett zsír), összetevői megőrzik zamataikat.

A grill lap kékes elszíneződése az erős hőfejlődésnek köszönhető. Ez nem befolyásolja a felhasznált anyag minőségét.

B - A készülék használata tűzhelyként

FONTOS: Ha a készüléket tűzhelyként használja, el kell távolítani a grill lapot. Soha ne tegyen főzőedényeket a grill lapra vagy a hő diffúzorra.

Helyezzen egy főzőedényt (serpenyőt...) a serpenyőtartóra, az égő fölé. Ügyeljen arra, hogy a láng mérete ne haladja meg a főzőedény alsó részét.

Ne használjon 12 cm-nél kisebb vagy 26 cm-nél nagyobb átmérőjű főzőedényt.

KIKAPCSOLÁSA

Forgassa a vezérlőgombot az óramutató járásával megegyező irányban kikapcsolt helyzetbe (O), ütközésig.

G - A GÁZPALACK LESZERELÉSE

A gázpalack leszedhető akkor is, ha nem üres.

1. Forgassa a vezérlőgombot az óramutató járásával megegyező irányban kikapcsolt helyzetbe (O), ütközésig.
2. Várja meg, amíg a készülék lehűl.
3. Fogja a szabályozót, csavarja le a gázpatront az óramutató járásával ellentétes irányba forgatva, amíg kattánást nem hall (kb. hatod fordulat), majd vegye ki.
4. Soha ne dobja el a gázpalackot, amennyiben nem győződött meg róla, hogy valóban üres. Rázással ellenőrizze, hogy nincs-e folyadék a patronban.

H - KARBANTARTÁS ÉS TÁROLÁS

Ha megfelelően gondoskodik a készülékéről, sok éven át élvezheti a használatát.

- Ne tisztítsa a készüléket használat közben. Várja meg, amíg lehűl, hogy elkerülje a forró alkatrészek (lap, rács, serpenyőtartó, tartály stb.) okozta égési sérüléseket.
- Ha a készülék lehűlt (kb. 15 perc), vegye le a grill lapot, a hő diffúzort és a serpenyőtartót. Vegye le a tartályt az alapról a E. szakasz szerint. Ürítse ki a vizet.
- Tisztítsa meg a zsíros részeket szappannal és vízzel vagy nem súroló tisztítószerrel.
- A tisztítás egyszerűsítése érdekében a fedél, a grill lap, a tartály, a serpenyőtartó mosogatógépből mosható.
- Tisztításkor ügyeljen arra, hogy ne tömítse el az égő lyukait. Ha a lyukak eltömödtek, például a kiömlött étel miatt, szabadítsa meg őket az ételmaradékoktól nem fém kefével.
- Tisztítás után szerelje vissza a készülék kivehető részeit, tegye vissza a fedelet és zárja le a 3 kapocs megnyomásával. (2. ábra)
- A készüléket hűvös, száraz és jól szellőző helyen kell tárolni, gyermekek által nem hozzáférhető helyen, soha nem alagsorban vagy pincében.
- Ha a készüléket hosszú ideig nem használja, válassza le a palackot az G. részben leírtak szerint.
- Ha a készüléket 30 napig nem használta, ellenőrizze, hogy a pókháló nem tömíti-e el az égőtömítő nyílásait; ez az égő határfokának csökkenéséhez vagy az égőn kívüli gáz veszélyes gyulladásához vezethet.
- A készüléket a táskában (16) tárolja. Ez a taska lehetővé teszi a készülék könnyű szállítását vagy a pormentes tárolását.

HU

I - HIBAELEHÁRÍTÁS

Visszaégés esetén (gyújtás az égősapka alatt) kapcsolja ki a terméket, hagyja lehűlni (körülbelül öt percig), majd gyújtsa be újra a készüléket. Ha a visszaégés problémája továbbra is fennáll, kérjük, lépjen kapcsolatba a helyi Campingaz® képviselőjével.

Lehetséges problémák	Valószínű okok / javító intézkedések
Az égő nem gyullad meg	<ul style="list-style-type: none">• Gyenge gázellátás• A szabályozó nem működik megfelelően• A cső, a szelep, a Venturi-cső vagy az égőlyukak eltömődtek. Tisztítsa meg a Venturi-csővet.
Az égő nem ég simán vagy kialszik	<ul style="list-style-type: none">• Ellenőrizze, hogy van-e gáz• Ellenőrizze a csőcsatlakozást• Forduljon a szervizképviselőhöz.
Instabil lángok	<ul style="list-style-type: none">• Az új palack levegőt tartalmazhat. Hagyja a készüléket működni, és a hiba magától megszűnik• Maradék víz, az égő mosása vagy a tál feltöltése/kiürítése után. Hagyja a készüléket működni, és a hiba magától megszűnik.• Forduljon a szervizképviselőhöz.
Nagy lángcsóva az égő felületén	<ul style="list-style-type: none">• A Venturi-cső eltömődött (esetleg pókháló)• Forduljon a szervizképviselőhöz.
Láng az injektoron	<ul style="list-style-type: none">• A palack majdnem üres• Cserélje ki a palackot, és a hiba magától megszűnik• Forduljon a szervizképviselőhöz.
Égő szivárgás a készülék körül	<ul style="list-style-type: none">• Azonnal zárja el a gázellátást• Szivárgó csatlakozó: húzza meg az anyákat vagy cserélje ki a csövet• Forduljon a szervizképviselőhöz.
Elégtelen hő	<ul style="list-style-type: none">• Az injektor vagy a Venturi-cső eltömődött. Tisztítsa meg a Venturi-csővet.• Forduljon a szervizképviselőhöz.
Égő szivárgás a beállító gomb mögött	<ul style="list-style-type: none">• Hibás szelep• Kapcsolja ki a tűzhelyet• Forduljon a szervizképviselőhöz.

ИНСТРУКЦИИ ЗА УПОТРЕБА

ЗАБЕЛЕЖКА: Освен ако не е посочено друго, всеки един от общите термини "уред / прибор / продукт / съоръжение / устройство", които се срещат в това ръководство за употреба, се отнася за продукта "360 Grill CV".

Дебит : 160 g/h (2.2 kW) - инжектор n° 79

Категория : директно пропан

Благодарим Ви, че избрахте продукт на Campingaz®.

A - ВАЖНО : БЪДЕТЕ ВНИМАТЕЛНИ ПРИ РАБОТА С ГАЗ !

- Целта на тези инструкции е да ви позволи да използвате вашия грил Campingaz® 360 CV правилно и безопасно.
- Моля, прочетете ги внимателно, за да се запознаете с уреда, преди да сглобите газовата бутилка.
- Спазвайте настоящите инструкции за употреба, както и изискванията за безопасност, отнасящи се за патроните CAMPINGAZ® CV 470 PLUS. Неспазването на тези инструкции може да бъде опасно за работещия с уреда и за околните.
- Съхранявайте настоящите инструкции на сигурно място, за да можете да правите справка при необходимост.
- Този уред трябва да се използва изключително с бутилки Campingaz® CV 470 PLUS. Използването на други газови бутилки може да бъде опасно.
- Société Application Des Gaz не поема отговорност, когато се използват бутилки от която и да е друга марка.
- Този грил трябва да бъде използван само на открито и далеч от запалими материали.
- Не използвайте уред, който тече, е повреден или функционира неправилно. Вместо това го върнете на вашия търговец на дребно, който ще ви информира за най-близкото следпродажбено обслужване.
- Никога не променяйте този уред и не го използвайте за цели, за които той не е предназначен. Всяка промяна на уреда може да бъде опасна.
- Не използвайте този продукт в каравани, автомобили, палатки, хижи, подслони или други малки затворени пространства.
- Уредът не трябва да се използва по време на сън или да се оставя без надзор.
- Всички уреди, работещи на газ, консумират кислород и отделят други потенциално опасни вещества и газове, като въглероден оксид (CO).
- Въглеродният оксид е бистър газ без мирис, който може да причини грипозодобни симптоми, гадене, заболяване и евентуално смърт, ако се произведе в гореспоменатите затворени зони чрез използване на уреда без подходяща вентилация.

B - ВАШИЯТ УРЕД

Разпакувайте и открийте уреда си (Фиг. 1A и 1B)

- | | |
|------------------------|--------------------------|
| (1) Пластмасов капак | (7) Регулатор |
| (2) Решетка за готвене | (8) Поставка за бутилка |
| (3) Топлинен дифузер | (9) Копче за управление |
| (4) Поставка за тиган | (10) Бутон за заключване |
| (5) Резервоар за вода | (16) Чанта за пренасяне |
| (6) Основа | |

C - МОНТАЖ НА БУТИЛКА CAMPINGAZ® CV 470 PLUS

(Ако съществуващата бутилка е празна, прочетете раздел G, "Отстраняване на бутилката").

При монтиране или демонтиране на патрона, работете винаги на проветриво място, за предпочитане на открито, и никога в близост до пламък, източник на топлина или искра (цигара, електроуред и др.), далеч от други лица и запалими материали.

ТЪЙ КАТО ПАТРОНИТЕ CAMPINGAZ® CV 470 PLUS СЕ СВЪРЗВАТ С ВЕНТИЛ, ТЕ МОГАТ ДА СЕ ДЕМОНТИРАТ ОТ УРЕДА ЗА ПО-ЛЕСНО ТРАНСПОРТИРАНЕ ДОРИ АКО НЕ СА ПРАЗНИ И ДА БЪДАТ МОНТИРАНИ НА ДРУГИ УРЕДИ CAMPINGAZ® ОТ СЕРИЯТА CV 470 PLUS, ПРЕДВИДЕНИ ЗА РАБОТА С ТАКИВА ПАТРОНИ.

1. Завъртете копчето за управление по посока на часовниковата стрелка в положение изключено (O), докато то спре. (Фиг. 7A)
2. Внимателно завийте газовата бутилка, като я завъртите по часовниковата стрелка, докато чуete шракване (приблизително една шеста от оборот). Не насилвайте бутилката да се завърти повече от това; рискувате да повредите клапана на бутилката. (Фиг. 7B)

В случай на изтичане (миризма на газ преди да отворите крана), незабавно изнесете уреда навън, в добре проветриво помещение без източник на горене, където течът може да бъде локализиран и спрян. Ако искате да проверите за течове по уреда, направете го навън. Не се опитвайте да откривате течове чрез пламък, използвайте сапунена вода.

D - ПРОВЕРКА ЗА ИЗТИЧАНЕ НА ГАЗ

1. Дръжте го далеч от запалими материали, не пушете в близост до уреда.
2. Уверете се, че копчето за управление е в позиция ИЗКЛ. (O).
3. Поставете регулатора на газовия пълнител (вижте част C).
4. Никога не използвайте огнен пламък, за да откриете изтичане на газ. Използвайте разтвор за изтичане на газ.
5. Нанесете разтвора върху връзките между пълнителя/регулатора/маркуча/уреда (Фиг. 14).
6. Отворете клапана на регулатора (7) (Фиг. 1B), като завъртите обратно на часовниковата стрелка от - към + (Копчето за управление трябва да остане в позиция ИЗКЛ. (O).) Балончетата в разтвора за изтичане на газ показват, че има изтичане на газ.
7. Затворете клапана на регулатора.
8. Грилът не бива да бъде използван, докато течовете не бъдат отстранени.
9. Разкачете регулатора от пълнителя и се свържете за помощ с местен сервис за следпродажбено обслужване.

Важно: Проверявайте за течове поне веднъж годишно и всеки път когато сменяте пълнителя.

Е - ПОДГОТОВКА ЗА УПОТРЕБА

360 Грил :

А - Пластмасов капак :

Пластмасовият капак се закрепва в горната част на горивната камера благодарение на скоби (Фиг. 2). Той поддържа всички вътрешни части на място по време на транспортирането. Отстранете го преди употреба.

В - Употреба на водния резервоар :

Поставете уреда на равна земя. Напълнете резервоара с вода до настройката MAX (МАКС). (Фиг. 3А) Внимавайте да не разлеете вода върху горелката.

След готвенето можете да разкачите резервоара за вода, за да изхвърлите сместа от вода и мазнина и да го почистите. Можете да използвате гъба, напоена с неабразивен препарат, или да поставите резервоара в съдомиялната машина.

Разкачете резервоара за вода, като дръпнете бутона за заключване (10). Като държите бутона натиснат до спиране, извадете резервоара, като го преместите нагоре. (Фиг. 3В)

След почистването поставете резервоара обратно на основата:

1- Издърпайте бутона за заключване (10) (Фиг. 3С)

2- Подравнете прозорчето за наблюдение на пламъка (11) с копчето за управление (9). Прорезите (12) на основата на резервоара трябва да бъдат подравнени със заключващата ос (13) (Фиг. 3Д)

3- Поставете резервоара върху стойката му

4- Отпуснете бутона, резервоарът е заключен (Фиг. 3Е)

Напълнете резервоара с вода до положение MAX, ако желаете да го използвате отново. (Фиг. 3А)

С - Поставка за тиган :

Поставете поставката за тиган на място. Не забравяйте да вмъкнете 3-те прореза на основата му в 3-те клапи в центъра на горивната камера. Въртенето на поставката е блокирано. Вашият уред е готов за използване като печка. (Фиг. 4)

Д - Топлинен дифузер :

Поставете топлинния дифузер върху горната част на рамената на поставката за тиган, като подравните прорезите на 3-те ѝ опори с всяко рамо на поставката. (Фиг. 5)

Е - Решетка за готвене :

Поставете решетката за готвене върху 3-те ѝ опори отгоре на горивната камера, като не забравите да поставите желаната от вас повърхност отгоре. (Фиг. 6А & 6В)

Поставка на бутилката :

Вашият уред е снабден с поставка на бутилката. Тази поставка ви позволява да закрепите бутилката на ръба на масата. По този начин бутилката е далеч от източника на топлина и не заема място на масата.

- Поставете вашия уред в центъра и развийте маркуча до ръба на масата.

- Закрепете поставката на бутилката на ръба на масата. Дължината на винта за настройка позволява адаптиране към повечето маси. (Фиг. 8)

Развийте регулиращия винт (14), така че пространството между 2-те гумени подложки да отговаря на дебелината на рамката на вашата маса (Фиг. 9А), плъзнете опората на ръба на масата, след което затегнете винта, за да осигурите безопасно закрепване към масата. (Фиг. 9В)

- Оставете повдигача (15) да се плъзне към върха и

поставете регулатора в корпуса, предназначен за тази цел. (Фиг. 10А & 10В)

- Оставете повдигача надолу, така че регулаторът се поддържа на място благодарение на пружината. (Фиг. 10С)

- Проверете дали маркучът е разгънат свободно, без да е усукан или опънат, нито в контакт с горещите повърхности на уреда. (Фиг. 11) Никога не дърпайте маркуча и не го усуквайте.

ПРЕДПАЗНИ МЕРКИ

Не използвайте уреда на разстояние по-малко от 20 см от стена или горим предмет.

Поставете уреда на стабилна, хоризонтална повърхност и не го местете по време на употреба, за да избегнете появата на големи пламъци в резултат на изгарянето на течен бутан, а не на изпарен бутан. Ако това се случи, изключете копчето за управление и променете положението на уреда.

Не използвайте съд за готвене с диаметър, по-малък от 12 cm или по-голям от 26 cm.

Преди да запалите уреда в режим Grill или Plancha, не забравяйте да напълните резервоара с вода до ниво "MAXI" (МАКС).

Защитете уреда си от вятър, неговата работа ще увеличи обема си.

Никога не оставяйте плочата за готвене без храна за повече от една минута (с изключение на първоначалния период на предварително загряване), в противен случай специалното покритие ще се повреди.

За да предотвратите повреда на незалепващото покритие, винаги използвайте силиконови или дървени прибори за готвене при приготвянето на Вашите ястия.

Изваквайте, докато устройството се охлади напълно, преди да го подготвите за съхранение.

Внимание: някои части може да са много горещи. Дръжте малките деца далеч от уреда.

Препоръчително е да носите защитни ръкавици, когато боравите части, които може да бъдат много горещи.

Никога не използвайте уреда, докато не сте прочели внимателно и разбрали инструкциите. Освен това се уверете, че:

- няма течове.

- уверете се, че тръбата на горелката не е запушена (от паяжини и т.н.).

- маркучът не се допира до части, които може да се нагорещат.

Важно: проверете наличието на пламък през прозорчето, разположено върху горивната камера над копчето за управление (11) (Фиг. 1А). В случай че горелката угасва по време на гриловане, затворете газовия клапан незабавно и изчакайте 5 минути, за да оставите газта да се изпари. Запалете уреда след това време за изчакване.

F - УПОТРЕБА

ЗАПАЛВАНЕ НА ГОРЕЛКАТА

Пиезо запалване (Фиг. 12)

1. Отворете подаването на газ, като завъртите клапана на регулатора към "+". (Фиг. 12A)
2. Завъртете копчето за управление обратно на часовниковата стрелка (към "0/☆"), така че да е напълно отворено. Изчакайте 3 секунди, за да се запълни веригата, натиснете копчето докрай, докато чуете щракване.
3. Повторете натискането 3 или 4 пъти, ако е необходимо, докато горелката се запали (проверете пламъка през прозорчето (11) в предната част на резервоара).
4. Ако горелката не запали, завъртете копчето за управление по посока на часовниковата стрелка в изключено положение (O), докато то спре. Изчакайте 5 минути, преди да повторите операцията.
5. Ако горелката не успее да запали след 2-рия опит, можете да **A**. преиниете към запалване с кибрит в долния раздел или **B**. прочетете раздел I Отстраняване на неизправности.

Запалване с кибрит (Фиг. 13):

1. Отворете подаването на газ, като завъртите клапана на регулатора към "+". (Фиг. 13A)
2. Ако е необходимо, махнете решетката за готвене, поставете запалена кибритена клечка близо до горелката.
3. Завъртете копчето за управление на ниска мощност (към 0).
4. Проверете наличието на пламъка през прозорчето (11).
5. Поставете отново решетката за готвене.
6. Увеличете мощността, като завъртите копчето в посока обратна на часовниковата стрелка до настройката 0/☆.

ГОТВЕНЕ

A - Използване на уреда като скара

1. Уверете се, че резервоарът е напълнен с вода до ниво "MAXI" (МАКСИ), а поставката за тиган и топлинният дифузер са монтирани, както е описано в раздел E.
2. Предварително затоплете плочата за готвене за около 10 минути на максимална мощност, за да достигнете подходящата температура за готвене. Поставете съставките си на плочата и регулирайте температурата с контролния бутон според вашия вкус.
3. След 1 час готвене проверете количеството вода в резервоара. Добавете вода до ниво MAX (МАКС), ако е необходимо.

Плочата за готвене е покрита с висококачествен незалепащ материал, който гарантира здравословна кухня без добавяне на мазнини или олио.

Маснитни вещества се събират във водния резервоар, вашата храна е напълно здравословна (без остатъчни или транс-мазнини), вашите съставки запазват целия си аромат.

Синкавото оцветяване на плочата за готвене се дължи на силно развитие на топлина. Това няма никакво въздействие върху качеството на използвания материал.

B - Използване на уреда като печка

ВАЖНО: Плочата за готвене трябва да се извади, когато

използвате уреда като печка. Никога не поставяйте съдове за готвене върху плочата за готвене или топлинния дифузер.

Поставете съд за готвене (тиган, тава...) върху поставката за тиган, центрирана над горелката. Уверете се, че пламъкът не излиза над долната страна на съда за готвене.

Не използвайте съд за готвене с диаметър, по-малък от 12 cm или по-голям от 26 cm.

ИЗКЛЮЧВАНЕ

Завъртете копчето за управление по посока на часовниковата стрелка в положение изключено (O), докато то спре.

G - ДЕМОНТИРАНЕ НА ПАТРОНА

Патронът може да се демонтира, дори да не е празен.

1. Завъртете копчето за управление по посока на часовниковата стрелка в положение изключено (O), докато то спре.
2. Изчакайте уредът да се охлади.
3. Като държите регулатора, развийте газовата бутилка, като я завъртите обратно на часовниковата стрелка, докато чуете щракване (приблизително една шеста от оборот), след което я извадете.
4. Не изхвърляйте никога патрон, който не е празен. Проверете дали в бутилката няма течност, като я разклатите.

H - ПОДДРЪЖКА И СЪХРАНЕНИЕ

Ако се грижите правилно за уреда си, ще можете да го ползвате много години.

- Не почиствайте уреда, докато се използва. Изчакайте, докато се охлади, за да избегнете изгаряния, причинени от горещи части (стойка, решетка, поставка за тиган, резервоар и др.).
- След като уредът се охлади (приблизително 15 минути), свалете плочата за готвене, топлинния дифузер и поставката за тигана. Отключете резервоара от основата според раздел E. Изпразнете водата.
- Почистете мазните части със сапун и вода или неабразивен почистващ продукт.
- За да се опрости почистването, капакът, плочата за готвене, резервоарът, подложката за тиган могат да се мият в съдомиялна машина.
- При почистване внимавайте да не запустите отворите на горелката. Ако дупките са запушени, например от храната, която се е разляла, отворете ги с четка с неметални влакна.
- След почистване отново сглобете подвижните части на уреда, поставете капака и го затворете, като натиснете върху 3-те скоби. (Фиг. 2)
- Уредът трябва да се съхранява на хладно, сухо и проветриво място, далеч от обсега на деца, извън подземни помещения и мазета.
- Ако уредът няма да се използва за дълъг период от време, разкачете цилиндъра, както е посочено в раздел G.
- Ако устройството не е използвано 30 дни, проверете дали отворите на маркуча на горелката не са запушени; това може да доведе до намаляване на ефективността на горелката или до опасно запалване на газ извън горелката.
- Съхранявайте уреда в торбата (16). Тази чанта ви позволява лесно да носите уреда си или да го съхранявате далеч от прах.

BC

I - ОТСТРАНЯВАНЕ НА НЕИЗПРАВНОСТИ

В случай на изгаряне (запалване под капачката на горелката) изключете уреда, оставете го да се охлади (приблизително пет минути), след което го запалете отново. Ако проблемът с изгарянето продължи, моля, свържете се с местния представител на Campingaz®.

Възможни проблеми	Вероятни причини / Коригиращи действия
Горелката не пали	<ul style="list-style-type: none"> • Лошо подаване на газ • Регулаторът не работи правилно • Тръбата, вентила, тръбата на Вентури или отворите на горелката са запушени. Почистете тръбата на Вентури.
Горелката не гори гладко или изгасва	<ul style="list-style-type: none"> • Проверете дали има газ • Проверете връзката на тръбата • Свържете се с вашия сервизен агент.
Неравно раздухвани пламъци	<ul style="list-style-type: none"> • Новият цилиндър може да съдържа въздух. Оставете уреда да работи и грешката ще се отстрани сама • Остатъчна вода след измиване на горелката или пълнене/изпразване на купата. Оставете уреда да работи и грешката ще се отстрани сама. • Свържете се с вашия сервизен агент.
Голям пламък на повърхността на горелката	<ul style="list-style-type: none"> • Тръбата на Вентури е запушена (вероятно заплашена) • Свържете се с вашия сервизен агент.
Пламък при инжектора	<ul style="list-style-type: none"> • Цилиндърът е почти празен • Сменете цилиндъра и грешката ще се отстрани сама • Свържете се с вашия сервизен агент.
Изгарящ теч около съединението	<ul style="list-style-type: none"> • Незабавно изключете подаването на газ • Изтичащ съединител: затегнете гайките или сменете тръбата • Свържете се с вашия сервизен агент.
Недостатъчна топлина	<ul style="list-style-type: none"> • Инжекторът или тръбата на Вентури са запушени. Почистете тръбата на Вентури. • Свържете се с вашия сервизен агент.
Изгарящ теч зад копчето за регулиране	<ul style="list-style-type: none"> • Дефектен клапан • Изключете печката • Свържете се с вашия сервизен агент.

NAUDOJIMO INSTRUKCIJA

PASTABA. Nebent nurodyta kitaip, visi šie bendrieji terminai „prietaisas / įrengimas / gaminys / įranga / priemonė“ šioje naudojimo instrukcijoje reiškia gaminį „360 Grill CV“.

Galingumas: 160 g/h (2.2 kW) - purkštuvu nr. 79

Kategorija: tiesioginis butan slėgis

Dėkojame, kad pasirinkote „Campingaz“ gaminį.

A - SVARBU: BUKITE ATSARGUS - JUS NAUDOJATE DUJAS !

- Šios instrukcijos tikslas – suteikti jums galimybę teisingai ir saugiai naudoti „Campingaz® 360 Grill CV“.
- Prieš montuodami dujų balioną, atidžiai perskaitykite instrukciją, kad susipažintumėte su prietaisu.
- Prašome laikytis instrukcijų ir saugumo priemonių, išspausdintų ant „Campingaz® CV 470 PLUS“ kasečių. Nesilaikant šių reikalavimų gali iškilti pavojus naudotojui ir šalia esantiems žmonėms.
- Šias instrukcijas laikykite saugioje vietoje, kad pririnkus galėtumėte jas peržiūrėti.
- Šį prietaisą reikia naudoti tik su „Campingaz® CV 470 PLUS“ balionais. Kitų dujų balionų naudojimas gali būti pavojingas.
- „Société Application Des Gaz“ nepriima atsakomybės, jei naudojami bet kurio kito prekės ženklų balionai.
- Šią kepsninę galima naudoti tik lauke ir atokiai nuo lengvai užsidegančių medžiagų.
- Nenaudokite prietaiso, jei jis yra nesandarus, pažeistas arba netinkamai veikia. Gražinkite jį pardavėjui, kuris informuos apie artimiausią garantinio aptarnavimo tarnybą.
- Niekada nemodifikuokite šio prietaiso ir nenaudokite jo ne pagal paskirtį. Bet koks prietaiso modifikavimas gali būti pavojingas.
- Šio prietaiso negalima naudoti gyvenamosiose priekabose, automobiliuose, palapinėse, nameliuose, stoginėse arba kitose mažose uždaroose vietose.
- Prietaiso negalima naudoti miegant arba palikti be priežiūros.
- Visi prietaisai, kuriems reikalingos dujos, naudoja deguonį ir išskiria kitas galimai pavojingas medžiagas ir dujas, tokias kaip anglies monoksidas (CO).
- Anglies monoksidas yra bekvapės, bespalvės dujos, kurios gali sukelti į gripą panašius simptomus, negalavimus, ligas ir galimai mirtį, jei susidaro minėtosė uždaroje patalpose naudojant prietaisą be tinkamo vėdinimo.

B - JŪSŲ PRIETAISAS

Išpakuokite ir apžiūrėkite savo prietaisą (1A ir 1B pav.)

- | | |
|--------------------------|-----------------------|
| (1) Plastikinis dangtis | (7) Regulatorius |
| (2) Kepimo plokštė | (8) Baliono laikiklis |
| (3) Karščio sklaidytuvas | (9) Valdymo rankenėlė |
| (4) Keptuvės atrama | (10) Fiksatorius |
| (5) Vandens talpa | (16) Nešimo krepšys |
| (6) Pagrindas | |

C - „CAMPINGAZ® CV 470 PLUS“ BALIONO MONTAVIMAS

(Jei esamas balionas yra tuščias, skaitykite G skyrių „Baliono išėmimas“).

Balioną montuokite arba išimkite tik gerai vėdinamoje vietoje, geriausia lauke, toliau nuo kitų žmonių ir degių medžiagų, ir jokių būdu ne šalia atviros liepsnos, karščio arba kibirkšties šaltinio (cigarečių, elektrinės įrangos ir t. t.)

KADANGI „COLEMAN“ CV 470 PLUS BALIONAIS „TURI VOŽTUVA“, JIE GALI BŪTI ATSKIRIAMAI NUO PRIETAISO, LENGVAI TRANSPORTUOJAMI (NET JEIGU JIE NĖRA TUŠTI) IR PRIJUNGIAMAI PRIE KITŲ „COLEMAN“ PRIETAISŲ Į ŠĮ CV 470 PLUS, SPECIALIAI SUKURTŲ NAUDOTI KARTU SU ŠIAIS BALIONAIS.

1. Valdymo rankenėlę pagal laikrodžio rodyklę sukite į „off“ (išjungimo) padėtį (O), kol ji sustos. (7A pav.)
2. Dujų balioną švelniai įsukite, sukdami pagal laikrodžio rodyklę, kol išgirsite spragtelėjimą (apytiksliai šeštadalį pasukimo). Nebandykite per jėgą baliono pasukti dar labiau, nes taip galite pažeisti baliono ventilių. (7B pav.)

Esant nuotėkiui (dujų kvapas prieš atsukant čiaupą), nedelsdami išneškite prietaisą į lauką, į gerai vėdinamą vietą be degimo šaltinių, kur nuotėkis galėtų būti aptiktas ir sustabdytas. Jeigu norite patikrinti, ar nėra nuotėkio, tai darykite lauke. Nuotėkiui aptikti nenaudokite ugnies; tai darykite su muiluotu vandeniu.

D - DUJŲ NUOTĖKIO PATIKRA

1. Laikykite atokiai nuo degių medžiagų, nerūkykite šalia prietaiso.
2. Įsitikinkite, kad valdymo rankenėlė yra išjungimo padėtyje „OFF“ (O).
3. Pritvirtinkite regulatorių prie dujų baliono (žr. C skyrių).
4. Dujų nuotėkiui aptikti niekada nenaudokite liepsnos. Naudokite dujų nuotėkio tirpalą.
5. Užpilkite tirpalą ant jungčių tarp baliono / regulatoriaus / žarnos / prietaiso (14 pav.).
6. Atidarykite regulatoriaus vožtuvą (7) (1B pav.) pasukdami prieš laikrodžio rodyklę nuo - iki + (valdymo rankenėlė turi likti padėtyje „OFF“ (O)). Jei dujų nuotėkio tirpale atsiranda burbuliukų, reiškia, kad dujų nuotėkis yra.
7. Uždarykite regulatoriaus vožtuvą.
8. Kepsninės negalima naudoti, kol nepašalintas dujų nuotėkis.
9. Atjunkite regulatorių nuo baliono ir dėl pagalbos kreipkitės į vietos garantinio aptarnavimo centrą.

Svarbu. Ar nėra nuotėkio, reikia tikrinti kartą per metus ir kiekvieną kartą keičiant dujų balioną.

E - PARUOŠIMAS NAUDOJIMUI

„360 Grill“:

A - plastikinis dangtis:

Plastikinis dangtis spausdukais yra pritvirtintas prie ugniadėžės (2 pav.) Transportavimo metu jis padeda išlaikyti visas viduje esančias dalis vietoje. Prieš naudojimą jį nuimkite.

B - vandens talpos naudojimas:

Prietaisą pastatykite ant plokščio paviršiaus. Į talpą iki „MAX“ žymos pripilkite vandens. (3A pav.) Pasirūpinkite, kad vandens nepatektų ant degiklio.

Baigę kepti, vandens talpą galite išimti, iš jos išpilti vandens ir riebalų mišinį ir ją išvalyti. Galite naudoti neabrazyviniame valiklyje pamirkytą kempinėlę arba įdėti talpą į indaplovę.

Vandens talpą atjunkite traukdami fiksatorių (10). Laikydami fiksatorių patrauk tą iki galo, išimkite talpą, keldami ją į viršų. (3B pav.)

Išvalę, talpą uždėkite atgal ant pagrindo:

- 1- Patraukite fiksatorių (10) (3C pav.)
- 2- Liepsnos stebėjimo langelį (11) sulygiuokite su valdymo rankenėle (9). Talpos pagrindo įrantos (12) turi būti sulyguotos su fiksavimo ašimi (13) (3D pav.)
- 3- Talpą padėkite ant jos atramos.
- 4- Atleiskite fiksatorių ir talpa užsifiksuos (3E pav.)

Užpildykite talpą vandeniu iki MAX žymos, jei norite naudoti dar kartą. (3A pav.)

C - Keptuvės atrama:

Keptuvės atramą įstatykite į reikiamą vietą. Pasirūpinkite, kad 3 pagrindo įrantos įsistatytų į ugniadėžės viduryje esančius 3 išsikūsimus. Taip atrama negalės sukilti. Dabar jūsų prietaisas paruoštas naudoti kaip viryklę. (4 pav.)

D - Karščio sklaidytuvas:

Karščio sklaidytuvą padėkite ant keptuvės atramos rankenų, jo 3 pagrindo įrantas sulygiuodami su kiekviena atramos rankena. (5 pav.)

E - Kepimo plokštė:

Kepimo plokštę padėkite ant 3 jos atramos rankenų, esančių virš ugniadėžės; įsitikinkite, kad jūsų norimas paviršius yra viršuje. (6A ir 6B pav.)

Balono laikiklis:

Jūsų prietaisas turi balono laikiklį. Šis laikiklis leidžia jums baloną pritvirtinti prie stalo krašto. Taigi, balonas lieka toli nuo karščio šaltinio, o stalo paviršius neįkaista.

- Prietaisą padėkite viduryje ir išvyniokite žarnelę iki stalo krašto.

- Baliono laikiklį pritvirtinkite prie stalo krašto. Dėl ilgo srieginio varžto jį galima pritaikyti prie daugelio stalų. (8 pav.)

Srieginį varžtą (14) atsukite taip, kad tarpas tarp 2 guminių tarpiklių atitiktų jūsų stalo rėmo storį (9A pav.), tada laikiklį užstumkite ant stalo krašto ir priveržkite varžtą, kad saugiai laikytųsi ant stalo. (9B pav.)

- Stūmiklį (15) paslinkite aukštyn ir įstatykite reguliatorių į jam skirtą vietą. (10A ir 10B pav.)

- Stūmiklį nuleiskite žemyn; spyruoklė prilaikys reguliatorių vietoje. (10C pav.)

- Patikrinkite, ar žarnelė laisvai išvyniota, nesusisukusi, neįsitempusi, nesiliečia su įkaitusiais prietaiso paviršiais. (11 pav.) Žarnelės netraukite ir nesusukite.

SAUGOS PRIEMONĖS

Prietaiso nenaudokite, jei atstumas nuo jo iki sienos arba degaus objekto yra mažesnis nei 20 cm.

Prietaisą padėkite ant stabiliaus, horizontalaus paviršiaus ir naudojimo metu jo nejudinkite, nes priešingu atveju gali imti degti skystas butanas, o ne jo garai, ir atsirasti didelės liepsnos. Jei taip atsitiktų, pasukite valdymo rankenėlę į išjungimo padėtį ir prietaisą pastatykite iš naujo.

Nenaudokite mažesnio nei 12 cm ar didesnio nei 26 cm skersmens viršmo indo.

Kai prietaisą norite naudoti su „Grill“ arba „Plancha“ plokštė, prieš jį uždegdami nepamirškite į talpą iki „MAX!“ žymos pripilti vandens.

Prietaisą saugokite nuo vėjo, nes dėl jo sumažės jo veiksmingumas.

Nelaikykite kepimo plokštės tuščios virš liepsnos ilgiau nei minutę (išskyrus pradinio įkaitinimo metu), nes pažeisite specialią dangą.

Kad nepažeistumėte neprisvylančios dangos, visada naudokite silikoniinius ar medinius įrankius.

Prieš padėdami prietaisą į laikymo vietą palaukite, kol jis visiškai atvės.

Dėmesio! kai kurios dalys gali labai įkaisti. Saugokite, kad maži vaikai nesiartintų prie prietaiso.

Tvarkant dalis, kurios gali būti labai karštos, rekomenduojama dėvėti apsaugines pirštines.

Prieš naudojant kepsninę būtina visada atidžiai perskaityti ir suprasti instrukcijas. Be to, reikia užtikrinti, kad:

- nėra nuotėkio;
- degiklio vamzdis neužkimštas (voratinklių ir t. t.);
- žarna neliečia jokių komponentų, kurie gali labai įkaisti.

Svarbu. Norėdami patikrinti, ar yra liepsna, pažiūrėkite per ugniadėžės langelį virš valdymo rankenėlės (11) (1A pav.). Jei kepimo metu degiklis užgęsta, iš karto uždarykite dujų sklendę ir palaukite 5 minutes, kol dujos išsisklaidys. Tada vėl uždekite prietaisą.

F - NAUDOJIMAS

DEGIKLIO UŽDEGIMAS

Pjezo uždegimas (12 pav.)

1. Pasukdami ant regulatoriaus esantį ventilių į „+“ padėtį, įjunkite dujų tiekimą. (12A pav.)
2. Tada valdymo rankenėlę pasukite prieš laikrodžio rodyklę (link „OFF“). Palaukę 3 s, kol sistema prisipildys, iki galo nuspauskite valdymo rankenėlę, kol išgirsite spragtelėjimą.
3. Prirėikus spauskite 3 ar 4 keturis kartus, kol degiklis užsidegs (liepsną patikrinkite pro langelį (11), esantį talpos priekyje).
4. Jei degiklis neužsidega, valdymo rankenėlę pagal laikrodžio rodyklę sukite į „off“ (išjungimo) padėtį (O), kol ji sustos. Prieš kartodami iš naujo, palaukite 5 minutes.
5. Jei degiklis neužsidega ir po 2-ojo bandymo, jūs galite **A**, pereiti prie uždegimo degtuko, aprašyto tolimesniame skyriuje, arba **B**, perskaityti i skyrių „Gedimų šalinimas“.

Uždegimas degtuku (13 pav.):

1. Pasukdami ant regulatoriaus esantį ventilių į „+“ padėtį, įjunkite dujų tiekimą. (13A pav.)
2. Jeigu reikia, nuimkite kepimo plokštę ir prikiškite uždegtą degtuką prie degiklio.
3. Valdymo rankenėlę pasukite link mažo galingumo nustatymo (prie O).
4. Per langelį (11) patikrinkite, ar atsirado liepsna.
5. Kepimo plokštę uždėkite atgal.
6. Galingumą padidinkite valdymo rankenėlę sukdami prieš laikrodžio rodyklę, iki nustatymo **OFF**.

GAMINIMAS

A - Norint prietaisą naudoti kaip kepsninę

1. Įsitinkinkite, kad į talpą iki „MAXI“ žymos pripilta vandens, o keptuvės atrama ir karščio sklaidytuvas pritvirtinti, kaip aprašyta E skyriuje.
2. Kaitinkite viryklės plokštę bent 10 minučių nustatę didžiausią galią, kad pasiektumėte idealią gaminimo temperatūrą. Produktus sudėkite ant plokštės ir savo nuožūra valdymo rankinėle reguliuokite temperatūrą.
3. Praėjus 1 valandai, patikrinkite vandens kiekį talpoje. Prirėikus įpilkite vandens (iki „MAX“ žymos).

Kepimo plokštė yra padengta aukštos kokybės nesvylančia medžiaga, dėl kurios nereikia pilti aliejaus arba dėti kitų riebalų, todėl maistas yra sveikesnis.

Riebalai kaupiami vandens talpykloje, todėl jūsų patiekalas bus nepriekaištingai sveikas (be riebalų likučių arba apdegusių riebalų), o produktai nepraras savo skonio.

Dėl didelio karščio kepimo plokštė gali pasidaryti melsva. Tai nedaro jokios įtakos naudotos medžiagos kokybei.

B - Norint prietaisą naudoti kaip viryklę

SVARBU: Prietaisą naudojant kaip viryklę, būtina nuimti kepimo plokštę. Nedėkite ant kepimo plokštės maisto ruošimo indų.

Maisto ruošimo indą (keptuvę ir t. t.) padėkite ant keptuvės atramos, esančios virš degiklio centro. Pasirūpinkite, kad liepsna neišlįstų pro maisto ruošimo indo kraštus.

Nenaudokite mažesnio nei 12 cm ar didesnio nei 26 cm skersmens virimo indo.

IŠJUNGIMAS

Valdymo rankenėlę pagal laikrodžio rodyklę sukite į „off“ (išjungimo) padėtį (O), kol ji sustos.

G - BALIONO ATJUNGIMAS

Balioną galima atjungti, net jei jis nėra tuščias.

1. Valdymo rankenėlę pagal laikrodžio rodyklę sukite į „off“ (išjungimo) padėtį (O), kol ji sustos.
2. Palaukite, kol prietaisas atvės.
3. Dujų balioną švelniai atsukite, sukdami prieš laikrodžio rodyklę, kol išgirsite spragtelėjimą (apytiksliai šeštadalį pasukimo), tada nuimkite.
4. Niekada neišmeskite kasetės, kol nesate tikri, kad ji tuščia. Papurtykite balioną, kad išitinkintumėte, jog jame nėra kysyčio.

H - PRIEŽIŪRA IR LAIKYMAS

Tinkamai rūpinamiesi savo prietaisu, galėsite jį naudoti daug metų.

- Prietaiso nevalykite, kai jis naudojamas. Tam, kad nenusidėgintumėte prisilietę prie įkaitusių dalių (plokštės, grotelių, keptuvės atramos, talpos ir t. t.), palaukite, kol jis atvės.
- Prietaisui atvėsus (po maždaug 15 minučių), nuimkite kepimo plokštę, karščio sklaidytuvą ir keptuvės atramą. Talpą atlaisvinkite nuo pagrindo, kaip nurodyta E skyriuje. Išpilkite vandenį.
- Riebaluotas dalis nuvalykite muilu ir vandeniu arba neabrazyviniu valikliu.
- Valymą galite palengvinti dangtį, kepimo plokštę, talpą ir keptuvės atramą išplaudami indaplovėje.
- Valdymui pasirūpinkite, kad neužsikistų degiklio angos. Tuo atveju, jei angos yra užsikibusios, pavyzdžiui, išbėgusiu maistu, jas atverkite nemetaliniu šepetėliu.
- Išvalę, vėl sumontuokite nuimamas prietaiso dalis, uždėkite ir uždarykite dangtį nuspausdami 3 spaustukus. (2 pav.)
- Prietaisą reikia laikyti saugioje ir sausoje, vaikams nepasiekiamoje vietoje, ir jokiū būdu ne rūšyje.
- Jei prietaiso nenaudosite ilgą laiką, atjunkite balioną, kaip aprašyta G skyriuje.
- Jei prietaiso nenaudojote 30 dienų, patikrinkite, ar degiklio ir žarnos angose nėra voratinklų; dėl to gali sumažėti degiklio efektyvumas arba dujos gali pradėti pavojingai degti už degiklio ribų.
- Prietaisą laikykite krepšyje (16). Jame galėsite lengvai nešti prietaisą arba apsaugoti jį nuo dulkių.

LT

I - GEDIMŲ ŠALINIMAS

Užsidegimo po degiklio dangteliu atveju produktą reikia išjungti, leisti jam atvėsti (maždaug penkias minutes), tuomet vėl uždegti prietaisą. Jei problema išlieka, reikia kreiptis į vietinį „Campingaz“ atstovą.

Galimos problemos	Galimos priežastys ir sprendimo būdai
Degiklis neužsidega	<ul style="list-style-type: none">• Silpnas dujų tiekimas.• Regulatorius netinkamai veikia.• Užsikisęs vamzdelis, ventilis, Venturio vamzdelis arba degiklio angos. Išvalykite Venturio vamzdelį.
Degiklis dega netolygiai arba užgęsta	<ul style="list-style-type: none">• Patikrinkite, ar yra dujų.• Patikrinkite vamzdelio jungtį.• Susisiekite su garantinio aptarnavimo atstovu.
Nestabili liepsna	<ul style="list-style-type: none">• Naujame balione gali būti oro. Leiskite prietaisui veikti ir problema išsprendės savaime.• Po degiklio valymo arba talpos pripildymo / ištuštinimo yra likę vandens. Leiskite prietaisui veikti ir problema išsprendės savaime.• Susisiekite su garantinio aptarnavimo atstovu.
Didelis liepsnos plūpsnis ant degiklio paviršiaus	<ul style="list-style-type: none">• Venturio vamzdelis yra užsikisęs (galimai voratinkliais).• Susisiekite su garantinio aptarnavimo atstovu.
Liepsna purkštuke	<ul style="list-style-type: none">• Balionas beveik tuščias.• Pakeiskite balioną ir problemos nebeliks.• Susisiekite su garantinio aptarnavimo atstovu.
Aplink sujungimą dega nutekėjusios dujos	<ul style="list-style-type: none">• Nedelsiant atjunkite dujų tiekimą.• Nuotėkis per sujungimą: priveržkite veržles arba pakeiskite vamzdelį.• Susisiekite su garantinio aptarnavimo atstovu.
Karštis nepakankamas	<ul style="list-style-type: none">• Užsikisęs purkštukas arba Venturio vamzdelis. Išvalykite Venturio vamzdelį.• Susisiekite su garantinio aptarnavimo atstovu.
Už reguliavimo rankenėlės dega nutekėjusios dujos	<ul style="list-style-type: none">• Ventilis yra sugadintas.• Viryklę išjunkite.• Susisiekite su garantinio aptarnavimo atstovu.

LIETOŠANAS INSTRUKCIJA

PIEZĪME: Ja vien nav citādi norādīts, sekojošie vispārīgie apzīmējumi šajā instrukciju rokasgrāmatā – “aparāts / ierīce / produkts / iekārta / piederums” – visi attiecas uz produktu “360 Grill CV”.

Ātrums: 160 g/h (2.2 kW) – inžektors Nr. 79

Kategorija: butāna ar tiešo spiedienu

Paldies, ka izvēlējāties Campingaz® izstrādājumu.

A - SVARĪGI! VIENMĒR ESĪET PIESARDZĪGI, LIETOJOT GĀZI!

- Šie norādījumi ir paredzēti, lai jūs varētu pareizi un droši izmantot savu Campingaz® grilu 360 Grill CV.
- Pirms gāzes balona montāžas, lūdzu, rūpīgi izlasiet tos un iepazīstieties ar ierīci.
- Lūdzu, ievērojiet šos norādījumus un drošības pasākumus, kas drukāti uz Campingaz® CV 470 PLUS kasetnēm. Šo norādījumu neievērošana var apdraudēt lietotāju un tiešā tuvumā esošos cilvēkus.
- Glabājiet šo instrukciju drošā vietā, lai vajadzības gadījumā varētu to pārskatīt.
- Šī ierīce ir jāizmanto tikai ar Campingaz® gāzes baloniem CV 470 PLUS. Citu gāzes balonu izmantošana var būt bīstama.
- “Société Application Des Gaz” neuzņemas nekādu atbildību, ja tiek izmantoti citu zīmolu gāzes baloni.
- Šo grilu drīkst izmantot tikai ārpus telpām un prom no viegli uzliesmojošiem materiāliem.
- Neizmantojiet ierīci, kurai pastāv noplūde, kas ir bojāta vai kas darbojas nepareizi. Tā vietā atgrieziet to izplatītājam, kas jūs informēs par tuvāko pēcpārdošanas servisu.
- Nekādā gadījumā neveiciet ierīci modifikācijas vai neizmantojiet to neparedzētiem nolūkiem. Jebkādu modifikāciju veikšana var būt bīstama.
- Neizmantojiet šo ierīci dzīvojamās piekabēs, automobiļos, teltīs, būdiņās, šķūņos vai citās maza izmēra slēgtās telpās.
- Ierīci nedrīkst izmantot gulēšanas laikā un to nedrīkst atstāt bez uzraudzības.
- Visas gāzes ierīces patērē skābekli un izdala citas potenciāli bīstamas vielas un gāzes, piemēram, oglekļa monoksīdu (CO).
- Oglekļa monoksīds ir caurredzama gāze bez aromāta, kas var izraisīt gripai līdzīgus simptomus, nelabumu, slimību un pat nāvi, ja tā tiek izdalīta iepriekšminētajās slēgtajās telpās, kur ierīce tiek lietota bez pienācīgas ventilācijas.

B - IERĪCES KOMPLEKTĀCIJA

Izpakojiet un iepazīstieties ar savu ierīci (1A un 1B att.)

- | | |
|--------------------------|---------------------------|
| (1) Plastmasas vāks | (7) Regulators |
| (2) Gatavošanas pamatne | (8) Gāzes balona atbalsts |
| (3) Siltuma izkliedētājs | (9) Vadības slēdzis |
| (4) Pannas atbalsts | (10) Bloķēšanas poga |
| (5) Ūdens tvertne | (16) Pārnēsāšanas soma |
| (6) Pamatne | |

C - CAMPINGAZ® GĀZES BALONA CV 470 PLUS UZSTĀDĪŠANA

(Ja uzstādātais gāzes balons ir tukšs, lasiet sadaļu G “Gāzes balona izņemšana”).

Gāzes balona uzstādīšanu vai izņemšanu vienmēr veiciet vietā ar labu ventilāciju, vēlamā ārā, vietā, kur nav citu cilvēku un uzliesmojošu materiālu, un nekādā gadījumā atklātas liesmas, karstuma vai dzirksteļu avota (cigarešu, elektrisku iekārtu u. c.) tuvumā.

TĀ KĀ CAMPINGAZ® CV 470 PLUS KASETNES IR DARBINĀMAS AR VĀRSTU, TĀS VAR ATVIENOT NO IEKĀRTĀM, VIEGLI PĀRVADĀT (PAT TAD, KAD NAV TUKŠAS) un PIEMĒROT CITĀM CAMPINGAZ® CV 470 PLUS IERĪCĒM, KAS PAREDZĒTAS DARBĪBAI TIKAI AR ŠĪM KASETNĒM.

1. Pagrieziet vadības slēdzi pulksteņrādītāju kustības virzienā izslēgtā stāvoklī (O), līdz tas apstājas. (7A att.)
2. Saudzīgi ieskrūvējiet gāzes balonu, to pagriežot pulksteņrādītāju kustības virzienā, līdz izdzirdat klikšķi (aptuveni sešdaļa pilna pagrieziena). Negrieziet gāzes balonu tālāk par šo ar spēku, citādi var tikt sabojāts gāzes balona vārsts. (7B. att.)

Ja rodas noplūde (jūtamās gāzes aromāts pirms krāna atgriešanas), nekavējoties iznesiet ierīci ārā, vietā ar labu ventilāciju bez aizdegšanās avota, kur atrast noplūdes vietu un to novērst. Ja vēlaties pārbaudīt, vai ierīce ir noplūdes, dariet to ārā. Nemēģiniet konstatēt noplūdes, izmantojot liesmu; izmantojiet ziepjūdeni.

D - GĀZES NOPLŪDES PĀRBAUDE

1. Turiet tālāk no viegli uzliesmojošiem materiāliem, nesmēķējiet ierīces tuvumā.
2. Pārlicinieties, ka vadības pogas atrodas pozīcijā “OFF” (O).
3. Uzstādiet regulatoru uz gāzes kasetnes (skatīt C sadaļu).
4. Nekad neizmantojiet liesmu, lai atklātu gāzes noplūdi. Izmantojiet gāzes noplūdes šķīdumu.
5. Uzklājiet šķīdumu savienojumiem starp kasetni/regulatoru/šķūteni/ierīci (14. att.).
6. Atveriet regulēšanas vārstu (7) (1B att.), pagriežot pretēji pulksteņrādītāja kustības virzienam no – uz + (Vadības pogaļ jāpaliek pozīcijā “OFF” (O)). Burbuļi gāzes noplūdes šķīdumā norāda, ka ir gāzes noplūde.
7. Aizveriet regulatora vārstu.
8. Grilu nedrīkst lietot, kamēr nav novērstas visas noplūdes.
9. Atvienojiet regulatoru no kasetnes un sazinieties ar vietējo pēcpārdošanas servisu, lai saņemtu palīdzību.

Svarīgi! Vismaz reizi gadā pārbaudiet noplūdes un katru reizi, kad tiek nomainīta gāzes kasetne.

E - LIETOŠANAS SAGATAVOŠANA

360 grils:

A - Plastmasas vāks

Plastmasas vāks ir piestiprināts kurtuves augšdaļā ar skavām (2. att.). Tas gādā, ka visas iekšējās daļas saglabājas vietā transportēšanas laikā. Pirms lietošanas noņemiet to.

B - Ūdens tvertnes lietošana

Novietojiet ierīci uz līdzenas zemes. Piepildiet ūdens tvertni līdz atzīmei "MAX". (3A. att.) Ievietojiet piesardzību, lai neizlietu ūdeni uz degļa.

Pēc ēdiena gatavošanas ūdens tvertni var atvienot, lai izlietu ūdens un taukvielu maisījumu un to iztīrītu. Tīrīšanai var izmantot sūkli, kas ir piesūcināts ar neabrazīvu mazgāšanas līdzekli, vai arī tvertni var ievietot trauku mazgājamā mašīnā.

Atvienojiet ūdens tvertni, pavelkot bloķēšanas pogu (10). Kamēr poga ir pavilkta līdz galam, izņemiet ūdens tvertni, to ceļot uz augšu. (3B att.)

Pēc tīrīšanas ievietojiet tvertni atpakaļ pamatnē:

- 1- Pavelkiet bloķēšanas pogu (10) (3C att.)
- 2- Salāgojiet liesmas pārskatīšanas logu (11) ar vadības slēdzi (9), ierobežojumi (12) tvertnes pamatnē jāsalāgo ar bloķēšanas asi (13) (3D att.)
- 3- Novietojiet tvertni uz tās balsta.
- 4- Atlaidiet pogu, lai tvertne tiktu nobloķēta (3E att.).

Piepildiet tvertni ar ūdeni līdz iestatījumam MAX, ja vēlaties to izmantot vēlreiz. (3A att.)

C - Pannas balsts

Novietojiet pannas balstu vietā. Pievērsiet uzmanību, lai 3 pamatnes ierobežojumi tiktu ievietoti 3 atlokos kurtuves vidū. Balsta rotācija ir bloķēta. Jūsu ierīce ir gatava, lai to lietotu kā plīti. (4. att.)

D - Siltuma izkliedētājs

Novietojiet siltuma izkliedētāju uz pannas atbalsta pleciem, salāgojot tā 3 atbalstu ierobežojumus ar katru atbalsta pēcu. (5. att.)

E - Gatavošanas pamatne

Novietojiet gatavošanas pamatni uz tās 3 balstiem uz kurtuves, ņemot vērā virsmu, kuru vēlaties novietot augšpusē. (6A un 6B att.)

Gāzes balona atbalsts

Ierīce ir aprīkota ar gāzes balona atbalstu. Šis atbalsts ļauj nostiprināt gāzes balonu pie galda malas. Tādējādi gāzes balons ir drošā attālumā no karstuma avota, un tas neatrodas uz galda virsmas.

- Novietojiet ierīci centrā un izritiniet šļūteni līdz galda malai.
- Nostipriniet gāzes balona atbalstu pie galda malas. Regulēšanas skrūves garums ļauj to pielāgot vairumam galdu. (8. att.)

Izskrūvējiet regulēšanas skrūvi (14), lai attālums starp 2 gumijas paliktņiem atbilstu galda rāmja biezumam (9A att.), uzstūmiat atbalstu uz galda malas un tad pievelciet skrūvi tā, lai atbalsts būtu droši piestiprināts pie galda. (9B att.)

- Bīdīet mēlīti (15) uz augšu un ievietojiet regulatoru tam paredzētajā korpusā. (10A un 10B att.)
- Ļaujiet mēlītei kustēties uz leju, tādējādi ar atspēri nodrošinot, ka regulators atrodas vietā. (10C att.)
- Pārbaudiet, vai šļūtene ir izritināta brīvi, vai tai nav savērpta vai nostiepta, kā arī vai tā nesaskaras ar karstām ierīces virsmām. (11. att.) Nekādā gadījumā nevelciet, turot aiz šļūtenes, un nesavērpjiet šļūteni.

DROŠĪBAS PASĀKUMI

Neizmantojiet ierīci, ja tā atrodas mazāk nekā 20 cm attālumā no sienas vai uzliesmojoša priekšmeta.

Novietojiet ierīci uz stabilas, horizontālas virsmas un nekustiniet to lietošanas laikā, lai novērstu lielas liesmas rašanos šķidra butāna sadegšanas, nevis butāna tvaiku sadegšanas dēļ. Ja rodas šāda situācija, pagrieziet vadības slēdzi izslēgtā stāvoklī un pārvietojiet ierīci.

Neizmantojiet ēdiena gatavošanas trauku, kas ir mazāks par 12 cm vai lielāks par 26 cm diametrā.

Pirms ierīces iedegšanas ar grila vai plančas iestatījumu gādājiet, ka ūdens tvertne ir uzpildīta līdz atzīmei "MAXI".

Sargājiet ierīci no vēja ietekmes, lai uzlabotu tās veiktspēju.

Nekādā gadījumā neatstājiet cepšanas pamatni uz uguns, ja uz tās nav gatavojamā ēdiena, ilgāk par vienu minūti (izņemot sākotnējā uzslidēšanas periodā), citādi īpašais pārklājums tiks bojāts.

Lai nesabojātu nepiedegošo pārklājumu, gatavošanai vienmēr izmantojiet silikona vai koka virtuves piederumus.

Pirms ierīces uzglabāšanas uzgaidiet, līdz tā ir pilnībā atdzisusi.

Uzmanību: dažas daļas var būt ļoti karstas. Novietojiet ierīci maziem bērniem nepieejamā vietā.

Lai darbotos ar detaļām, kas var būt ļoti karstas, ieteicams valkāt aizsargcimdus.

Nekad neizmantojiet ierīci, kamēr instrukcijas nav rūpīgi izlasītas un saprastas. Turklāt pārliecinieties, ka:

- nav noplūžu.
- pārliecinieties, ka degļa caurule nav aizsprostota (ar zirkelja tīkliem utt.).
- šļūtene nepieskaras nevienai detaļai, kas var sakarst.

Svarīgi: pārbaudiet liesmas klātbūtni caur logu, kas atrodas uz kurtuves virs vadības pogas (11) (1A att.). Ja grilēšanas laikā deglis nodziest, nekavējoties aizveriet gāzes vārstu un pagaidiet 5 minūtes, lai ļautu gāzei iztvaikot. Pēc šī gaidīšanas laika atkārtoti aizdedziet ierīci.

F - LIETOŠANA

DEGLA IEDEGŠANA

Pjezo aizdedze (12 att.)

1. Atveriet gāzes padevi, pagriežot regulatora vārstu "+" virzienā. (12A att.)
2. Pagrieziet vadības slēdzi pretēji pulksteņrādītāju virzienam ("O/★" virzienā), lai tas būtu pilnībā atvērts. Uzgaidiet 3 sekundes, lai kontūrs tiktu uzpildīts, pēc tam līdz galam piespiediet slēdzi, līdz izdzirdat klikšķi.
3. Ja nepieciešams, atkārtojiet piespiešanu 3 vai 4 reizes, līdz deglis ir iedegts (pārbaudiet liesmu caur lodziņu (11) tvertnes priekšpusē).
4. Ja deglis neiedegas, pagrieziet vadības slēdzi pulksteņrādītāju kustības virzienā izslēgtā stāvoklī (O), līdz tas apstājas. Pirms darbības atkārošanas uzgaidiet 5 minūtes.
5. Ja deglis neiedegas pēc otrā mēģinājuma, varat veikt iedegšanu ar sērkokoņiem vai arī lasiet sadaļu I "Problēmu novēršana".

Iedegšana ar sērkokoņiem (13 att.):

1. Atveriet gāzes padevi, pagriežot regulatora vārstu "+" virzienā. (13A att.)
2. Ja nepieciešams, noņemiet gatavošanas pamatni un novietojiet degošu sērkokoņu pie degļa.
3. Pagrieziet vadības slēdzi uz zemu iestatījumu (virzienā O).
4. Pārbaudiet, vai liesma deg caur lodziņu (11).
5. Novietojiet gatavošanas pamatni atpakaļ vietā.
6. Palieliniet gāzes padevi, pagriežot slēdzi pretēji pulksteņrādītāju kustības virzienam līdz iestatītajam O/★.

GATAVOŠANA

A - Ierīces izmantošana grila veidā

1. Pārliecinieties, ka tvertne ir piepildīta ar ūdeni līdz atzīmei "MAX" un ka pannas atbalsts un siltuma izkliedētājs ir uzstādīti, kā aprakstīts sadaļā E.
2. Uzkaršējiet gatavošanas plāti aptuveni 10 minūtes ar maksimālo jaudu, lai sasniegtu ideālo gatavošanas temperatūru. Novietojiet gatavojamās sastāvdaļas uz pamatnes un noregulējiet vēlamo temperatūru ar vadības slēdzi.
3. Pēc 1 stundas gatavošanas pārbaudiet ūdens daudzumu tvertnē. Papildiniet ūdeni līdz atzīmei "MAX", ja nepieciešams.

Gatavošanas pamatne ir klāta ar augstas kvalitātes materiālu, kas novērš piederšanu, kā arī gādā par pārtikas veselīgumu, jo nav jāpievieno tauki vai eļļa.

Taukvielas tiek savāktas ūdens tvertnē, jūsu ēdiens ir ideāli veselīgs (nekādu paliekošu vai karbonizētu tauku), un ēdiena sastāvdaļas saglabā visu garšu.

Gatavošanas pamatnes zilganā nokrāsa rodas liela karstuma dēļ. Tas neietekmē izmantotā materiāla kvalitāti.

B - Ierīces izmantošanas plīts veidā

SVARĪGI! Kad ierīce tiek izmantota kā plīts, gatavošanas pamatne ir jānoņem. Nekādā gadījumā nenovietojiet gatavošanas traukus uz gatavošanas pamatnes vai siltuma izkliedētāja.

Novietojiet gatavošanas trauku (pannu) uz pannas atbalsta, kas novietots pāri degļa vidum. Gādājiet, lai liesma nepārsniegtu gatavošanas trauka apakšu.

Neizmantojiet ēdiena gatavošanas trauku, kas ir mazāks par 12 cm vai lielāks par 26 cm diametrā.

IZSLĒGŠANA

Pagrieziet vadības slēdzi pulksteņrādītāju kustības virzienā izslēgtā stāvoklī (O), līdz tas apstājas.

G - KASETNES NOŅEMŠANA

Gāzes balonu var izņemt, ja tas nav tukšs.

1. Pagrieziet vadības slēdzi pulksteņrādītāju kustības virzienā izslēgtā stāvoklī (O), līdz tas apstājas.
2. Uzgaidiet, līdz ierīce atdziest.
3. Turot regulatoru, izskrūvējiet gāzes balonu, to pagriežot pretēji pulksteņrādītāju kustības virzienam, līdz izdzirdat klikšķi (aptuveni sešdaļa pilna pagrieziens), un tad to izņemiet.
4. Nekad neizmetiet kasetni, kas nav pilnīgi tukša. Pārbaudiet, vai gāzes balonā nav šķidrums, to pakratot.

H - APKOPE UN UZGLABĀŠANA

Ja ierīcei tiek veikta pareiza apkope, to varēsiet izmantot daudzus gadus.

- Netīriet ierīci, kamēr tā tiek lietota. Uzgaidiet, līdz ierīce ir atdzisusi, lai neapdedzinātos ar karstām daļām (gatavošanas pamatnes, režģa, pannas atbalsta, ūdens tvertnes u. c.).
- Kad ierīce ir atdzisusi (aptuveni 15 minūtes), noņemiet gatavošanas pamatni, siltuma izkliedētāju un pannas atbalstu. Atbloķējiet ūdens tvertni no pamatnes, veicot sadaļā E sniegtos norādījumus. Izlejiet ūdeni.
- Notīriet taukainās daļas ar ziepēm un ūdeni vai ar neabrazīvu mazgāšanas līdzekli.
- Lai atvieglotu tīrīšanu, vāku, gatavošanas pamatni, ūdens tvertni un pannas atbalstu var mazgāt trauku mazgājamā mašīnā.
- Tīrīšanas laikā ievērojiet piesardzību, lai neaizsprostotu degļa atveres. Ja atveres tiek aizsprostotas, piemēram, ar ēdiena atliekām, iztīriet tās ar nemetālisku birstīti.
- Pēc tīrīšanas salieciet atpakaļ ierīces noņemamās daļas, uzlieciet atpakaļ vāku un aizveriet to, nospiežot 3 klipšus. (2 att.)
- Ierīce ir jāglabā drošā un sausā vietā, kur tai nevar piekļūt bērni, un nekādā gadījumā pagrabā.
- Ja ierīce ilgu laiku netiek izmantota, atvienojiet gāzes balonu, kā norādīts sadaļā G.
- Ja ierīce nav izmantota 30 dienas, pārbaudiet, vai degļa šūtenes atveres nav aizsprostotas ar zirnēkļtīkliem; citādi degļa efektivitāte var samazināties vai var rasties bīstama gāzes aizdegšanās ārpus degļa.
- Uzglabājiet ierīci somā (16). Šī soma ļauj viegli pārnēsāt ierīci vai uzglabāšanas laikā pasargāt to no putekļiem.

I - PROBLĒMU NOVĒRŠANA

Ja notiek atkārtota aizdegšanās (aizdedze zem degļa vāciņa), izslēdziet izstrādājumu, ļaujiet tam atdzist (apmēram piecas minūtes), pēc tam atkārtoti iededziet ierīci. Ja atkārtotas aizdegšanās problēma joprojām pastāv, lūdzu, sazinieties ar vietējo Campingaz® pārstāvi.

iespējamās problēmas	iespējamie cēloņi / risinājumi
Deglis neiedegas.	<ul style="list-style-type: none">• Vāja gāzes padeve.• Regulators nedarbojas pareizi.• Caurule, vārsts, Venturi caurule vai degļa atveres ir aizsprostotas. Izfīriet Venturi cauruli.
Deglis nedeg vienmērīgi vai nodziest.	<ul style="list-style-type: none">• Pārbaudiet, vai tiek padota gāze.• Pārbaudiet cauruļu savienojumu.• Sazinieties ar tehniskās apkopes speciālistu.
Nestabila liesma.	<ul style="list-style-type: none">• Jaunajā gāzes balonā, iespējams, ir gaiss. Ļaujiet ierīcei darboties un problēma laika gaitā izzudīs.• Pēc degļa mazgāšanas vai ūdens tvertnes uzpildīšanas/iztukšošanas ir atlicis ūdens. Ļaujiet ierīcei darboties un problēma laika gaitā izzudīs.• Sazinieties ar tehniskās apkopes speciālistu.
Liela liesma uz degļa virsmas.	<ul style="list-style-type: none">• Venturi caurule aizsprostota (iespējams, zirnekļtīkli).• Sazinieties ar tehniskās apkopes speciālistu.
Liesma pie izsmidzinātāja.	<ul style="list-style-type: none">• Gāzes balons ir gandrīz tukšs.• Nomainiet gāzes balonu un problēma tiks novērsta.• Sazinieties ar tehniskās apkopes speciālistu.
Degoša noplūde ap savienojuma vietu.	<ul style="list-style-type: none">• Nekavējoties izslēdziet gāzes padevi.• Noplūde savienojuma vietā: pievelciet uzgriežņus vai nomainiet cauruli.• Sazinieties ar tehniskās apkopes speciālistu.
Nepietiekams karstums.	<ul style="list-style-type: none">• Izsmidzinātājs vai Venturi caurule ir nosprostota. Izfīriet Venturi cauruli.• Sazinieties ar tehniskās apkopes speciālistu.
Degoša noplūde aiz regulēšanas slēdža.	<ul style="list-style-type: none">• Bojāts vārsts.• Izslēdziet ierīci.• Sazinieties ar tehniskās apkopes speciālistu.

ИНСТРУКЦИЯ ПО ЭКСПЛУАТАЦИИ

ПРИМЕЧАНИЕ: Если не указано иное, следующие общие термины "прибор / блок / продукт / оборудование / устройство", использованные в данном руководстве, относятся к продукту "360 Grill CV".

Расход: 160 г/ч (2.2 кВт) - форсунка n° 79

Категория: Непосредственное давление бутана

Компания Campingaz благодарит за выбор нашей торговой марки.

A - ВАЖНОЕ ЗАМЕЧАНИЕ: ОСТОРОЖНО, ВЫ РАБОТАЕТЕ С ГАЗОМ !

- Информация в этом руководстве позволит правильно и безопасно использовать гриль Campingaz® 360 Grill CV.
- Перед тем, как подсоединять газовый картридж, внимательно изучите руководство, чтобы понимать принцип работы прибора.
- Соблюдайте указания этой инструкции по эксплуатации и правила по технике безопасности на баллончиках Campingaz® CV 470 PLUS. Несоблюдение этих инструкций может быть опасным как для пользователя, так и для его окружения.
- Храните эту инструкцию для обращения к ней при необходимости.
- Гриль следует использовать исключительно с картриджами Campingaz® CV 470 PLUS. Использование других газовых картриджей может представлять опасность.
- Организация Société Application Des Gaz по контролю использования газа во Франции не несет ответственности за использование картриджей другой марки.
- Этот гриль следует использовать только на открытом воздухе и вдали от воспламеняющихся материалов.
- Запрещено использовать поврежденный или неправильно работающий прибор, а также при обнаружении утечки газа. В таком случае обратитесь к продавцу прибора для получения информации о послепродажном и гарантийном обслуживании.
- Запрещено изменять конструкцию прибора или использовать в целях, для которых этот прибор не предназначен. Любое изменение конструкции прибора может представлять опасность.
- Запрещено использовать прибор внутри автомобилей, автомобилей, палаток, шалашей, сараев или любых небольших закрытых пространств.
- Запрещено оставлять прибор без присмотра.
- Работающие на газе приборы потребляют кислород и выделяют потенциально опасные вещества и газы, включая угарный газ (CO).
- Угарный газ не имеет запаха и цвета, и может вызывать симптомы, схожие с симптомами гриппа, простуды или отравления. Долгое пребывание в помещении с высокой концентрацией угарного газа может привести к смертельному исходу. Такая ситуация может возникнуть при использовании прибора без надлежащей вентиляции.

B - КОМПОНЕНТЫ ГРИЛЯ

Распакуйте и осмотрите прибор (Рис. 1А и 1В)

- | | |
|--------------------------|---------------------------|
| (1) Пластиковая крышка | (7) Газовый редуктор |
| (2) Решетка | (8) Фиксатор картриджа |
| (3) Рассекатель пламени | (9) Регулятор пламени |
| (4) Подставка для посуды | (10) Фиксирующий рычаг |
| (5) Емкость для воды | (16) Футляр для переноски |
| (6) Основание прибора | |

V - ПОДСОЕДИНЕНИЕ КАРТРИДЖА CAMPINGAZ® CV 470 PLUS

(Если подсоединенный картридж пуст, перейдите к разделу Ж «Отсоединение картриджа»).

Установку и замену газового картриджа следует всегда осуществлять только в хорошо проветриваемом помещении, предпочтительнее на открытом воздухе, вдали от огня, тепловых источников или искр (от сигареты, электроприборов и т.п.), вне присутствия других людей и легко воспламеняемых материалов.

ТАК КАК БАЛЛОНЫ CAMPINGAZ® CV 470 PLUS ОБОРУДОВАНЫ ВСТРОЕННЫМ КЛАПАНОМ, ДЛЯ УДОБСТВА ТРАНСПОРТИРОВКИ ИХ МОЖНО ОТСОЕДИНЯТЬ ОТ АППАРАТА.

ДАЖЕ ЕСЛИ ОНИ НЕ ДО КОНЦА ПУСТЫ, И ЗАТЕМ УСТАНОВЛИВАТЬ НА ДРУГИЕ АППАРАТЫ CAMPINGAZ® ТОЙ ЖЕ ГАММЫ CV 470 PLUS. ПРЕДНАЗНАЧЕННЫЕ ДЛЯ РАБОТЫ ИСКЛЮЧИТЕЛЬНО С ИСПОЛЬЗОВАНИЕМ ТАКИХ БАЛЛОНОВ.

1. Поверните регулятор пламени по часовой стрелке в положение выключения (O) и дождитесь затухания пламени. (Рис. 7А)
2. Аккуратно подсоедините и поверните газовый картридж по часовой стрелке до щелчка (примерно на одну шестую оборота). Не допускайте дальнейшего поворота картриджа. Это может привести к повреждению клапана картриджа. (Рис. 7В)

Определить утечку можно по запаху газа при закрытом вентиле газового редуктора. В таком случае немедленно вынесите прибор из помещения в хорошо проветриваемое место без источников открытого пламени поблизости. Это позволит обнаружить и устранить утечку в безопасной обстановке. Поиск утечки газа в приборе следует проводить вне помещения. Запрещено использовать огонь для поиска утечки. Для этой цели используйте мыльную воду.

G - ПРОВЕРКА УТЕЧКИ ГАЗА

1. Держитесь подальше от легковоспламеняющихся материалов, не курите рядом с прибором.
2. Убедитесь в том, что ручки управления находятся в положении «ВЫКЛ» (O).
3. Установите регулятор на газовый картридж (см. раздел В).
4. Категорически запрещается использовать для поиска утечек газа открытое пламя. Используйте раствор для обнаружения утечки газа.
5. Нанесите раствор на соединения между картриджем/регулятором/шлангом/прибором (Рис. 14).
6. Откройте клапан регулятора (7) (Рис. 1В), повернув против часовой стрелки от - до + (ручка управления должна оставаться в положении «ВЫКЛ» (O)). Появление мыльных пузырей указывает на наличие утечки газа.

7. Закройте вентиль баллона.
8. Гриль нельзя использовать до устранения всех утечек.
9. Отсоедините регулятор от картриджа и обратитесь за помощью в местную службу послепродажного обслуживания.

Важно! Проверьте прибор на наличие утечек не реже одного раза в год и при каждой замене газового баллона.

Д - ПОДГОТОВКА К ИСПОЛЬЗОВАНИЮ

Компоненты прибора:

А - Пластиковая крышка:

Пластиковая крышка крепится к верхней части корпуса с помощью зажимов (Рис. 2). Крышка фиксирует все внутренние компоненты внутри прибора во время транспортировки. Крышку следует снять перед использованием прибора.

Б - Емкость для воды:

Поместите прибор на ровную поверхность. Заполните емкость для воды до отметки «MAX!» (Рис. 3А). Соблюдайте осторожность, чтобы не пролить воду на конфорку.

После приготовления пищи рекомендуется отсоединить емкость для воды, слить смесь воды и масла, а затем очистить емкость. Для очистки рекомендуется использовать губку с мягким моющим средством или поставить емкость в посудомоечную машину.

Для отсоединения емкости для воды потяните фиксирующий рычаг (10) на себя. Удерживая рычаг в предельном положении, снимите емкость, перемещая ее вверх (Рис. 3В).

После очистки установите емкость обратно на основание:

- 1- Потяните за фиксирующий рычаг (10) (Рис. 3С).
- 2- Разместите емкость с отверстием для контроля пламени (11) точно над регулятором пламени (9). Совместите вырезы (12) в основании емкости с фиксирующим штифтом (13) (Рис. 3Д).
- 3- Опустите емкость на основание.
- 4- Отпустите фиксирующий рычаг, чтобы закрепить емкость на основании (Рис. 3Е).

Заполните бак водой до отметки MAX, если вы хотите использовать его снова. (Рис. 3А)

В - Подставка для посуды:

Для установки подставки совместите выемки в основании подставки с 3 выступами в емкости для воды вокруг конфорки. Подставка будет плотно закреплена. Теперь прибор готов к использованию в качестве кухонной плиты (Рис. 4).

Г - Рассекатель пламени:

Поместите рассекатель пламени прорезями вниз на 3 опоры подставки для посуды. (Рис. 5).

Д - Решетка:

Поместите решетку желаемой стороной на 3 опоры в верхней части емкости для воды (Рис. 6А и 6В).

Фиксатор газового картриджа:

В комплект поставки входит фиксатор газового картриджа. Фиксатор позволяет закрепить картридж на край столешницы вдали от источника пламени, также освобождая поверхность стола.

- Поместите прибор по центру стола и разверните шланг к краю стола.
- Закрепите фиксатор картриджа на краю столешницы с

помощью струбицы. Струбина фиксатора позволяет крепить фиксатор к столешницам различной толщины (Рис. 8).

Вращайте винт струбицы (14) против часовой стрелки до тех пор, пока расстояние между двумя резиновыми колодками будет достаточным для установки струбицы на край столешницы (Рис. 9А). Поместите струбину на край столешницы, затем плотно затяните винт (Рис. 9В).

- Переместите прижимную пластину (15) вверх и вставьте газовый редуктор в соответствующий паз фиксатора (Рис. 10А и 10В).
- Опустите прижимную пластину, которая плотно зафиксирует редуктор (Рис. 10С).
- Разворачивая шланг не допускайте чрезмерного изгибания или натяжения, а также контакта шланга с горячими поверхностями прибора (Рис. 11). Запрещено тянуть за шланг или перекручивать его.

МЕРЫ ПРЕДОСТОРОЖНОСТИ

Запрещено использовать прибор на расстоянии менее 20 см от стен или легковоспламеняющихся предметов.

Установите прибор на прочно закрепленной, горизонтальной поверхности. Запрещено перемещать прибор во время использования, так как это может привести к появлению высоких языков пламени в результате горения жидкого бутана вместо испаренного. При необходимости перемещения прибора, сперва выключите его с помощью регулятора пламени.

Не используйте посуду диаметром менее 12 см или более 26 см.

Перед включением прибора с установленной решеткой или планчей обязательно заполните емкость для воды до отметки «MAX!».

Рекомендуется защитить прибор от ветра. Это улучшит его работу.

Не оставляйте пустую планчу на огне дольше одной минуты (за исключением предварительного нагрева). Это может повредить специальное покрытие.

Чтобы не повредить антипригарное покрытие, для манипуляций с посудой всегда используйте кухонные принадлежности из силикона или дерева.

Дождитесь полного остывания прибора, прежде чем складывать его в футляр.

ОСТОРОЖНО! Некоторые части прибора могут быть очень горячими. Не подпускайте маленьких детей к прибору.

При обращении с деталями, которые могут быть горячими, рекомендуется использовать защитные перчатки.

Не используйте прибор, не ознакомившись с руководством и не увидев приведенные в нем указания. Кроме того убедитесь, что:


- отсутствуют утечки газа;
- трубка горелки не загромождена (паутиной и т.д.);
- шланг не касается деталей, которые могут нагреваться.

Важно! Проверьте наличие пламени через отверстие, расположенное в верхней части корпуса над регулятором пламени (11) (Рис. 1А). В случае затухания пламени во время приготовления пищи немедленно закройте вентиль на газовом картридже или редукторе и подождите 5 минут, позволяя остаткам газа испариться. После этого заново зажгите конфорку.



Е - ИСПОЛЬЗОВАНИЕ

ЗАЖИГАНИЕ КОНФОРКИ

Пьезо-зажигание (Рис. 12)

1. Поверните вентиль газового редуктора в положение «+» (Рис. 12А).
2. Поверните регулятор пламени против часовой стрелки (к отметке «»»). В этом положении подается максимальное количества газа. Подождите 3 секунды, чтобы система заполнилась газом, затем нажмите на регулятор пламени до щелчка.
3. При необходимости нажмите еще 3 или 4 раза, пока конфорка не загорится (наличие пламени можно контролировать через отверстие (11) на передней части емкости).
4. Если зажечь конфорку не получилось, поверните регулятор по часовой стрелке в положение выключения (отметка «О»). Подождите 5 минут перед повторением операции.
5. Если конфорку не получилось зажечь со второй попытки, попробуйте зажечь конфорку спичками, как описано ниже, или прочтите информацию в разделе И. Устранение неисправностей.

Зажигание спичками (Рис. 13):

1. Поверните вентиль газового редуктора в положение «+» (Рис. 13А).
2. Положите зажженную спичку рядом с конфоркой, сняв решетку при необходимости.
3. Поверните регулятор пламени в положение слабого огня (отметка «»).
4. Проверьте наличие пламени через отверстие (11).
5. Поместите решетку обратно в гриль.
6. Увеличьте подачу газа, поворачивая регулятор пламени против часовой стрелки до отметки «»».

ПРИГОТОВЛЕНИЕ ПИЩИ

А - Использование прибора в качестве гриля

1. Убедитесь, что емкость для воды заполнена водой до отметки «MAXI», а также установлены подставка для посуды и рассекатель пламени согласно указаний раздела Д.
2. Предварительно нагрейте электроконфорку в течение примерно 10 минут на максимальной мощности для достижения идеальной для приготовления пищи температуры. Поместите ингредиенты на планчу и отрегулируйте температуру регулятором пламени.
3. Через 1 час работы прибора, проверьте количество воды в емкости. При необходимости добавьте воду до отметки «MAXI».

Поверхность планчи имеет высококачественное антипригарное покрытие, позволяющее готовить диетические блюда без добавления жира или масла.

Излишний жир собирается в емкости для воды, и приготовленная пища получается более полезной (без остатков пригоревшего жира), а ингредиенты сохраняют свой изначальный вкус.

При сильном нагреве планча может принимать голубоватый оттенок. Это нормальное явление, которое не влияет отрицательно на материал планчи.

Б. Использование прибора в качестве плиты

ВАЖНО! Планчу следует снять при использовании прибора в качестве плиты. Запрещено размещать посуду на планче или рассекателе пламени.

Поместите посуду (сковороду, кастрюлю и т. д.) на

специальную подставку над конфоркой. Убедитесь, что пламя не поднимается выше основания посуды.

Не используйте посуду диаметром менее 12 см или более 26 см.

ПО ОКОНЧАНИЮ ИСПОЛЬЗОВАНИЯ

Поверните регулятор пламени по часовой стрелке в положение выключения (О) и дождитесь затухания пламени.

Ж - ОТСОЕДИНЕНИЕ ГАЗОВОКАРТРИДЖА

Баллон может быть отсоединен от прибора, даже если в нем еще есть газ.

1. Поверните регулятор пламени по часовой стрелке в положение выключения (О) и дождитесь затухания пламени.
2. Дождитесь, пока прибор остынет.
3. Придерживая газовый редуктор, поверните картридж против часовой стрелки до щелчка (примерно на одну шестую оборота) и извлеките его.
4. Ни в коем случае не выбрасывать баллон, который ещё не до конца пуст. Запрещено утилизировать картридж, в котором еще остался сжиженный газ (встряхните, чтобы проверить).

З - ОБСЛУЖИВАНИЕ И ХРАНЕНИЕ

Гриль прослужит много лет при надлежащем обращении и обслуживании.

- Запрещено очищать прибор при зажженной конфорке. Дождитесь полного остывания прибора, чтобы исключить риск обжигания при контакте с горячими частями прибора (решеткой, рассекателем пламени, подставкой для посуды, емкостью для воды и т. д.).
- После остывания прибора (приблизительно 15 минут), снимите планчу, рассекаль пламени и подставку для посуды. Отсоедините емкость для воды от основания согласно указаниям раздела Д. После этого слейте воду.
- Очистите жирные поверхности мыльным раствором или неабразивным моющим средством.
- Крышку, планчу, емкость для воды и подставку для посуды можно также поместить в посудомоечную машину.
- При очистке не допускайте, чтобы остатки пищи попадали в отверстия конфорки. Используйте металлическую щетку, чтобы очистить отверстия от пролитого пригоревшего жира.
- После очистки соберите съемные части прибора обратно, установите крышку на место и закройте ее, нажав на 3 защима. (Рис. 2)
- Прибор следует хранить в безопасном, сухом месте, недоступном для детей. Запрещено хранить прибор в погребе.
- Если прибор не будет использоваться в течение длительного периода времени, отсоедините картридж согласно указаниям раздела Ж.
- Если прибор не использовался в течение 30 дней, убедитесь, что в отверстиях конфорки не накопилась паутина. Это может привести к ухудшению работы конфорки или к опасному возгоранию газа за пределами конфорки.
- Храните прибор в футляре (16). Футляр удобен для переноски прибора, а также предотвращает попадание пыли во время хранения.

RU

И - УСТРАНЕНИЕ НЕИСПРАВНОСТЕЙ

В случае прогара (зажигание под крышкой конфорки) выключите изделие, дайте ему остыть (примерно пять минут), затем повторно разожгите его. Если проблема прогара сохраняется, обратитесь к местному представителю Campingaz®.

Возможные неисправности	Возможные причины / решения
Конфорка не загорается	<ul style="list-style-type: none">• Недостаточная подача газа.• Газовый редуктор неисправен.• Забит шланг, клапан, трубка Вентури или отверстия конфорки. Очистите трубку Вентури.
Конфорка горит прерывисто или гаснет.	<ul style="list-style-type: none">• Проверьте наличие газа.• Проверьте подсоединение шланга.• Обратитесь в сервисный центр.
Резко меняется высота пламени.	<ul style="list-style-type: none">• В новом картридже может содержаться воздух. Оставьте прибор включенным. Через некоторое время высота пламени стабилизируется.• На конфорку попала вода во время очистки конфорки или наполнения емкости для воды. Через некоторое время высота пламени стабилизируется.• Обратитесь в сервисный центр.
Сплошное пламя по всей поверхности конфорки.	<ul style="list-style-type: none">• Трубка Вентури забита (например, паутиной).• Обратитесь в сервисный центр.
Пламя возле инжектора.	<ul style="list-style-type: none">• Картридж почти пуст.• Для устранения проблемы замените картридж на новый.• Обратитесь в сервисный центр.
Пламя в месте подсоединения шланга.	<ul style="list-style-type: none">• Немедленно перекройте подачу газа.• Место подсоединения шланга пропускает газ. Плотнее затяните гайки или замените шланг.• Обратитесь в сервисный центр.
Недостаточный нагрев.	<ul style="list-style-type: none">• Инжектор или трубка Вентури забиты. Очистите трубку Вентури.• Обратитесь в сервисный центр.
Пламя возле регулятора пламени.	<ul style="list-style-type: none">• Неисправный клапан.• Немедленно перекройте подачу газа.• Обратитесь в сервисный центр.

طريقة الاستخدام

ج - تركيب خرطوشة CAMPINGAZ® CV 470 PLUS

(إذا كانت الخرطوشة الموجودة فارغة، فافراً الجزء ز، "فك الخرطوشة").

لتركيب أو فك خرطوشة، اعمل دائماً في منطقة جيدة التهوية، ويفضل أن تكون في الهواء الطلق، بعيداً عن الأشخاص الآخرين والمواد القابلة للاشتعال، ولا تقرب أبداً من اللهب المكشوف أو مصدر الحرارة أو الشرر (السجائر، المعدات الكهربائية، وخلافه).

نظراً لأن خراطيش CAMPINGAZ® CV 470 PLUS مشغلة بالصمامات، فيمكن فصلها من الجهاز ونقلها بسهولة (حتى عندما لا تكون فارغة) وتثبيتها بأجهزة CAMPINGAZ® أخرى في الباقية CV 470 PLUS الصممة للعمل حصرياً مع هذه الخراطيش.

1- أدر مفتاح التحكم في اتجاه عقارب الساعة إلى وضعية الإطفاء (O) إلى أن يتوقف. (الشكل 7A)

2- اربط خرطوشة الغاز برفق عن طريق تدويرها في اتجاه عقارب الساعة حتى تسمع صوت كليك (بمقدار حوالي سدس لفة). لا تستخدم القوة لإدارة الخرطوشة أبعد من ذلك، وإلا سيكون هناك خطر إتلاف صمام الخرطوشة. (الشكل 7B)

في حالة حدوث تسرب (رائحة غاز قبل تشغيل المحبس)، خذ الجهاز إلى الخارج على الفور، إلى منطقة جيدة التهوية ولا يوجد بها مصدر احتراق، حيث يمكن تحديد مكان التسرب وإيقافه. إذا كنت ترغب في التحقق من وجود تسربات في جهازك، فافعل ذلك في الخارج. لا تحاول الكشف عن التسربات باستخدام اللهب، بل استخدم الماء والصابون.

د- التحقق من تسرب الغاز

1- أبق الجهاز بعيداً عن المواد سريعة الاشتعال، ولا تدخن بالقرب من الجهاز.

2- تأكد من أن مفتاح التحكم موجود على وضع الإيقاف «OFF» (O).

3- قم بتركيب المنظم في خرطوشة الغاز (انظر القسم ج).

4- لا تستخدم اللهب أبداً للكشف عن تسرب الغاز. استخدم محلول تسرب الغاز.

5- ضع المحلول على الوصلات بين الخرطوشة / المنظم / الخرطوم / الجهاز (الشكل 14).

6- افتح صمام المنظم (7) (الشكل 1B) عن طريق تدويره عكس اتجاه عقارب الساعة من - إلى + (يجب أن يظل مفتاح التحكم على وضع الإيقاف «OFF» ((O)). تشير الفقاعات في محلول تسرب الغاز إلى وجود تسرب غاز.

7- أغلق صمام المنظم.

8- يجب عدم استخدام الشواية حتى يتم التخلص من جميع التسريبات.

9- أفضل المنظم عن الخرطوشة، واتصل بخدمة ما بعد البيع المحلية لطلب المساعدة.

ملحوظة مهمة: تحقق من التسريبات مرة واحدة على الأقل في العام، وفي كل مرة يتم فيها استبدال خرطوشة الغاز.

ملاحظة: المصطلحات العامة التالية "الجهاز / الوحدة / المنتج / المعدات / الأداة" الواردة في كتيب التعليمات هذا تشير جميعها إلى المنتج "360 Grill CV" إلا في حال ذكر غير ذلك.

المعدل: 160 جم/ساعة (2.2 ك.و.اطم) - حاقن 79 n°

اللفة: ضغط الببوان المباشر

شكراً على كل اختيار منتج Campingaz®.

أ- ملاحظة مهمة: كن حذراً دائماً عند استخدام الغاز

● الغرض من هذه التعليمات هو تمكينك من استخدام شوايتك Campingaz® 360 Grill CV بشكل صحيح وآمن.

● يرجى قراءتها بعناية للتعرف على الجهاز قبل تجميع خرطوشة الغاز.

● يرجى الالتزام بهذه التعليمات وإجراءات السلامة المطبوعة على خراطيش CAMPINGAZ® CV 470 PLUS. إن عدم التقيد بهذه التعليمات قد يؤدي إلى تعرض المستخدم والأشخاص القريبين منه إلى الخطر.

● احتفظ بهذه التعليمات في مكان آمن لتتمكن من الرجوع إليها عند الحاجة.

● يجب استخدام هذا الجهاز فقط مع خراطيش CAMPINGAZ® CV 470 PLUS. وقد ينطوي استخدام خراطيش غاز أخرى على أخطار.

● لا تتحمل شركة Société Application Des Gaz أية مسؤولية عن استخدام خراطيش من أي علامة تجارية أخرى.

● يجب استخدام هذه الشواية في الخارج فقط، وبعيداً عن المواد القابلة للاشتعال.

● لا تستخدم جهازاً فيه تسرب أو عطل أو لا يعمل بصورة صحيحة، بل أعده إلى بائع التجزئة الذي سيلتزم على أقرب مركز لخدمات ما بعد البيع.

● لا تُعدّل هذا الموعد أبداً ولا تستخدمه لأغراض غير التي صُنِعَ من أجلها. فأي تعديل على الجهاز قد يجعله خطيراً.

● لا تستخدم هذا الجهاز في عربات الكرفان أو السيارات أو الخيام أو الأكواخ أو المراب أو أي منطقة صغيرة مغلقة.

● يجب عدم استخدام الجهاز أثناء النوم أو تركه دون مراقبة.

● جميع الأجهزة التي تعمل على الغاز تستهلك الأوكسجين وتتبعث منها مواد وغازات خطيرة أخرى مثل غاز أول أكسيد الكربون.

● أول أكسيد الكربون هو غاز شفاف عديم الرائحة، ويمكن أن يسبب أعراضاً مشابهة لأعراض الأنفلونزا، والاعطال والمرض وربما الموت إذا تم إنتاجه داخل المناطق المغلقة المذكورة أعلاه من خلال استخدام الجهاز دون تهوية مناسبة.

ب - جهازك

افتح العبوة واكتشف جهازك (الشكل 1A و 1B)

(1) غطاء بلاستيكي (7) منظم

(2) صينية الطهي (8) دعامة الخرطوشة

(3) ناشرة الحرارة (9) مفتاح التحكم

(4) دعامة الوعاء (10) زر القفل

(5) خزان الماء (16) حقيبة الحمل

(6) قاعدة

الشواية 360 Grill :

A - الغطاء البلاستيكي :

الغطاء البلاستيكي مثبت فوق صندوق الاحتراق بواسطة المشابك (الشكل 2). وهو يحافظ على جميع الأجزاء الداخلية في موضعها أثناء النقل. قم بإزالته قبل الاستخدام.

B - استخدام خزان الماء :

ضع الجهاز على أرضية مستوية. املأ الخزان بالماء حتى وضع الحد الأقصى MAX. (الشكل 3A) انتبه إلى عدم انسكاب الماء على المشعل.

بعد انتهاء دورة الطهي يمكنك فصل خزان الماء لرمي خليط الماء والشحم وتنظيفه. يمكنك استخدام إسفنجية مشربة بمنتج تنظيف غير كاشط أو وضع الخزان في غسالة الأطباق.

افصل خزان الماء من خلال جذب زر القفل (10). استمر في جذب الزر حتى وضع الإيقاف الخاص به، وقم بكف الخزان عن طريق تحريكه لأعلى. (الشكل 3B)

بعد التنظيف، أعد تركيب الخزان على القاعدة:

1- اجذب زر القفل (10) (الشكل 3C)

2- قم بمحاذاة نافذة رؤية اللهب (11) مع مفتاح التحكم (9). يجب محاذاة الحزوز (12) لقاعدة الخزان مع محور القفل (13) (الشكل 3D)

3- ضع الخزان على الدعامات الخاصة به

4- اترك الزر، فيتم تأمين قفل الخزان (الشكل 3E)

املأ الخزان بالماء حتى علامة MAX إذا كنت تنوي استخدامه مرة أخرى. (الشكل 3A)

C - دعامة الوعاء :

ضع دعامة الوعاء في موضعها. وانتبه إلى إدخال 3 حزوز من قاعدتها في اللوحات الثلاث في وسط صندوق الاحتراق. فيتم منع دوران الدعامة. ويصبح جهازك جاهزا للاستخدام كموكف. (الشكل 4)

D - ناشرة الحرارة:

ضع ناشرة الحرارة فوق أذرع دعامة الوعاء مع محاذاة حزوز دعاماتها الثلاث مع كل ذراع من أذرع الدعامة. (الشكل 5)

E - صينية الطهي :

ضع صينية الطهي على دعاماتها الثلاث فوق صندوق الاحتراق، مع الانتباه إلى وضع السطح الذي توريده بأعلى. (الشكل 6A و 6B)

دعامة الخرطوشة :

جهازك مزود بدعامة خرطوشة. وتتيح لك هذه الدعامة تثبيت الخرطوشة على حافة الطاولة. ومن ثم تكون الخرطوشة بعيدة عن مصدر الحرارة ويكون سطح الطاولة خاليا منها.

- ضع جهازك في المنتصف وقم بفرد الخرطوم حتى حافة الطاولة.

- قم بتثبيت دعامة الخرطوشة على حافة الطاولة. يتيح طول برغي الضبط إمكانية الموازنة مع معظم الطاولات. (الشكل 8)

قم بفك برغي الضبط (14) بحيث تتناسب المسافة بين البطانتين المطاطيتين مع سمك إطار طاولتك (الشكل 9A)، واقطع الدعامة الموجودة على حافة طاولتك ثم احكم ربط البرغي لضمان التثبيت الآمن في الطاولة. (الشكل 9B)

- اجعل الدافعة (15) تنزلق نحو الأعلى وأدخل المنظم في المبيت المصمم لهذا الغرض. (الشكل 10A و 10B)

- دع الدافعة تهبط لأسفل، ومن ثم يتم الحفاظ على المنظم في موضعه بفعل قوة النابض. (الشكل 10C)

- تأكد من فرد الخرطوم بحرية، دون تعرضه لأي التواء أو جرح، وعدم ملامسته للأسطح الساخنة للجهاز. (الشكل 11) لا تقم أبداً بسحب الخرطوم أو تعريضه للتلوآء.

احتياطات السلامة

لا تستخدم جهازك على مسافة أقل من 20 سم من حائط أو من جسم قابل للاشتعال.

ضع الجهاز على سطح أفقي ثابت ولا تتحرك أثناء الاستخدام لتجنب ظهور ألسنة اللهب الكبيرة الناتجة عن احتراق البيوتان السائل بدلاً من البيوتان المتبخر. في حالة حدوث ذلك، اضبط مفتاح التحكم على وضع الإيقاف وأعد ضبط وضعية الجهاز.

لا تستخدم وعاء طهي قطره أصغر من 12 سم ولا أكبر من 26 سم.

قبل إشعال الجهاز في إعداد الشواية أو بلائش، تأكد من ملء الخزان بالماء حتى علامة المستوى الأقصى "MAXI".

قم بحماية جهازك من الرياح، وسوف تزداد كفاءة أدائه.

لا تترك أبداً لوحة الطهي على النار بدون طعام لمدة أطول من دقيقة واحدة (باستثناء فترة التسخين الأولى) وإلا ستحدث أضرار بالطلاء الخاص.

لتجنب الإضرار بالطلاء المقاوم للالتصاق، استخدم دائماً أدوات الطهي المصنوعة من السليكون أو الخشب للتعامل مع أطباقك.

انتظر حتى يبرد الجهاز تماماً قبل تحضيره للتخزين.

تنبيه: قد تكون بعض الأجزاء ساخنة للغاية. احرص على إبعاد الأطفال الصغار عن الجهاز.

يُصَحَّح بارتداء النظارات الواقية للتعامل مع المكونات التي يمكن أن تسخن بشدة.

لا تستخدم الجهاز إلا بعد قراءة التعليمات بعناية وفهمها جيداً. بالإضافة إلى ذلك، يجب التأكد من:

- عدم وجود تسريبات.

- التحقق من أن أنبوب المشعل غير مسدود (بسبب شبكات العنكبوت، وما إلى ذلك).

- عدم ملامسة الخرطوم لأي مكونات قد تسخن.

ملحوظة مهمة: تحقق من وجود اللهب من خلال النافذة الموجودة على صندوق الاحتراق فوق مفتاح التحكم (11) (الشكل 1A). في حالة انطفاء المشعل أثناء الشواء، أغلق صمام الغاز على الفور وانتظر لمدة 5 دقائق حتى يتبخر الغاز. قم بإعادة إشعال الجهاز بعد فترة الانتظار هذه.

إشعال المشعل

الإشعال بالشرارة الكهربائية (الشكل 12):

1. افتح مصدر إمداد الغاز من خلال إدارة الصمام الموجود بالمنظم باتجاه "4". (الشكل 12A)
2. أدر مفتاح التحكم عكس اتجاه عقارب الساعة (باتجاه "☆") بحيث يفتح تماما. انتظر لمدة 3 ثوان بحيث يتم ملء الدائرة، واضغط على مفتاح التحكم بالكامل إلى أن تسمع صوت كليك.
3. كرر الضغط 3 أو 4 مرات عند اللزوم إلى أن يتم إشعال المشعل (افحص اللهب من خلال النافذة (11) على مقدمة الخزان).
4. في حالة عدم إشعال الموقد، أدر مفتاح التحكم في اتجاه عقارب الساعة إلى وضعية الإطفاء (O) إلى أن يتوقف. انتظر 5 دقائق قبل تكرار العملية.
5. إذا تمزق إشعال المشعل بعد المحاولة الثانية، فيمكثك أ. الانتقال إلى الإشعال بأعواد قناب في الجزء أدناه، أو ب. قراءة الجزء ي تحري الأعطال وإصلاحها.

الإشعال بعود القناب (الشكل 13):

1. افتح مصدر إمداد الغاز من خلال إدارة الصمام الموجود بالمنظم باتجاه "4". (الشكل 13A)
2. عند اللزوم، قم بفك صينية الطهي، وضع عود قناب مشعل بالقرب من المشعل.
3. أدر مفتاح التحكم إلى إعداد القدرة المنخفض (باتجاه O).
4. تحقق من وجود اللهب من خلال النافذة (11).
5. أعد تركيب صينية الطهي في موضعها.
6. قم بزيادة القدرة من خلال إدارة المفتاح عكس اتجاه عقارب الساعة حتى الإعداد ☆.

الطهي

A - استخدام الجهاز كشواية

1. تأكد من امتلاء الخزان بالماء حتى علامة المستوى الأقصى "MAXI" ومن تركيب دعامة الوعاء وناشرة الحرارة كما هو مشروح في الجزء هـ.
 2. سخّن لوحة الطهي مسبقاً لمدة 10 دقائق على الأكثر للوصول إلى درجة الحرارة المثالية للطهي. ضع مكونات وصفتك على اللوح واضبط درجة الحرارة باستخدام مفتاح التحكم حسب ذرفك.
 3. بعد ساعة واحدة من الطهي، راجع كمية المااء في الخزان. أضف المااء حتى علامة المستوى الأقصى MAX، عند الحاجة إلى ذلك.
- لوح الطهي مغطي بمواد عالية الجودة غير لاصقة تضمن طهيًا صحيًا دون إضافة دهون أو زيت.
- تتجمع المااء الدهنية في خزان المااء وتكون وجبتك صحية تمامًا (لا توجد دهون مترسبة أو مكربنة) مع احتفاظ المكونات بمذاقها.
- سينتغير لون قطعة الطهي إلى لون أزرق بعض الشيء بسبب الحرارة القوية. وهذا لا يؤثر على جودة المااء المستخدمة.

B - استخدام الجهاز كموقد

- ملحوظة مهمة: يجب إبعاد لوح الطهي عند استخدام الجهاز كموقد. لا تضع أبدًا أوعية الطهي على لوح الطهي أو ناشرة الحرارة.
- ضع وعاء طهي (مقلاة، إزاء...) على دعامة الوعاء، بشكل متركز على المشعل. تأكد أن اللهب لا يتجاوز الجانب السفلي من وعاء الطهي.
- لا تستخدم وعاء طهي قطره أصغر من 12 سم ولا أكبر من 26 سم.

الإطفاء

أدر مفتاح التحكم في اتجاه عقارب الساعة إلى وضعية الإطفاء (O) إلى أن يتوقف.

يمكن فك الخرطوشة حتى وإن لم تكن فارغة.

1. أدر مفتاح التحكم في اتجاه عقارب الساعة إلى وضعية الإطفاء (O) إلى أن يتوقف.
2. انتظر حتى يبرد الجهاز.
3. في أثناء تثبيت المنظم، قم بفك خرطوشة الغاز من خلال إدارتها عكس اتجاه عقارب الساعة حتى تسمع صوت كليك (بمقدار حوالي ثلث لفة)، ثم قم بفكها.
4. لا تتخلص مطلقًا من خرطوشة ليست فارغة تمامًا. تأكد من عدم وجود سائل في الخرطوشة عن طريق رجها.

ح - الصيانة والتخزين

إذا كنت تعتني بجهازك بشكل صحيح، فستتمكن من استخدامه لسنوات عديدة.

- لا تنظف جهازك أثناء استخدامه. انتظر حتى يبرد كي تتجنب الحروق التي تسببها الأجزاء الساخنة (الشوابة والشبكة والمنصب والخزان وما إلى ذلك).
- بمجرد أن تبرد الوحدة (حوالي 15 دقيقة)، قم بفك لوح الطهي وناشرة الحرارة ودعامة الوعاء. قم بتحرير قفل الخزان من القاعدة باتباع الجزء هـ. أفرغ المااء.
- نظف الأجزاء التي عليها دهون بالصابون والماء أو مادة منظفة غير كاشطة.
- لتسهيل عملية التنظيف، يمكن غسل الغطاء ولوح الطهي والخزان ودعامة الوعاء في غسالة أطباق.
- عند التنظيف، احرص على تجنب انسداد ثقوب الموقد. في حالة انسداد الثقوب، بسبب انسكاب الطعام مثلاً، افتحها باستخدام فرشاة غير معدنية.
- بعد التنظيف، قم بتركيب الأجزاء القابلة للإزالة للجهاز مرة أخرى، وضع الغطاء وأغلقه، ثم اضغط المشابك الثلاثة. (الشكل 2)
- يجب حفظ الجهاز في مكان بارد وجاف وجيد التهوية، بعيداً عن متناول الأطفال. لا تخزنه أبداً في قبو أو سرداب.
- إذا كنت لا تنوي استخدام الجهاز لفترة طويلة، فافصل الأسطوانة على النحو الموضح في القسم (ز).
- في حالة عدم استخدام الجهاز لمدة 30 يوماً، تأكد من عدم وجود خيوط عنكبوت تسد فتحات خرطوم الموقد، لأن هذا يمكن أن يؤدي إلى انخفاض كفاءة الموقد أو اشتعال الغاز خارج الموقد بصورة خطيرة.
- قم بتخزين جهازك في الحقيبة (16). نتيج لك هذه الحقيبة حمل جهازك بسهولة أو تخزينه بعيداً عن الغبار.

في حالة الاحتراق المرند (الاشتعال تحت غطاء الموقد)، أوقف تشغيل المنتج، واتركه يبرد (حوالي خمس دقائق)، ثم أعد إشعال الجهاز. إذا استمرت مشكلة الاحتراق المرند، فيرجى الاتصال بممثل Campingaz المحلي لديك.

المشاكل المحتملة	الأسباب المحتملة / الحلول
الموقد لا يشتعل	<ul style="list-style-type: none"> الإمداد بالغاز ضعيف المنظم لا يعمل بشكل صحيح انسداد الأنابيب أو الصمام أو أنبوب فتتوري أو ثقب الموقد. نظّف مكان الانسداد.
الموقد لا يشتعل بصورة سلسة أو ينطفئ	<ul style="list-style-type: none"> تأكد من وجود الغاز افحص وصلة الأنابيب اتصل بوكيل الصيانة.
اللهب غير مستقر	<ul style="list-style-type: none"> الأسطوانة الجديدة ربما تحتوي على الهواء. دع الجهاز وستزول المشكلة لوحدها الماء المتبقي بعد غسل المشعل أو ملء/تفريغ الحوض. دع الجهاز وستزول المشكلة لوحدها. اتصل بوكيل الصيانة.
عمود كبير من اللهب على سطح الموقد	<ul style="list-style-type: none"> الأنبوب مسدود (ربما بخيوط عنكبوت) اتصل بوكيل الصيانة.
اشتعال لهب في الحاقن	<ul style="list-style-type: none"> الأسطوانة فارغة تقريباً بذل الأسطوانة وستزول المشكلة لوحدها اتصل بوكيل الصيانة.
احتراق غاز متسرب حول الوصلة	<ul style="list-style-type: none"> أغلق الغاز على الفور تسريب عند الوصلة: شد العزقات أو ببّل الأنابيب اتصل بوكيل الصيانة.
الحرارة غير كافية	<ul style="list-style-type: none"> الحاقن أو أنبوب فتتوري مسدود. نظّف مكان الانسداد. اتصل بوكيل الصيانة.
احتراق غاز متسرب خلف مفتاح الضبط	<ul style="list-style-type: none"> الصمام لا يعمل أطفئ الموقد اتصل بوكيل الصيانة.