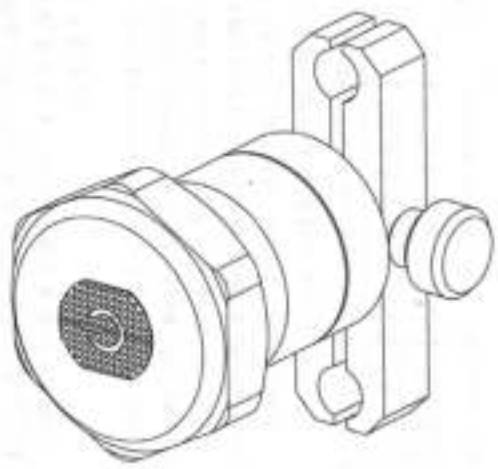


智能感应刹车警示灯

Intelligent induction brake warning light



保修凭证

arranty Certificate
 用户资料 (客户填写)
 User information (complete by user)

姓名: _____ 联系电话: _____
 Name: _____ Phone: _____
 邮编: _____
 Zip code: _____
 地址: _____
 Address: _____
 购买日期: _____ 年 _____ 月 _____ 日
 Purchase date: _____ year _____ month _____ day

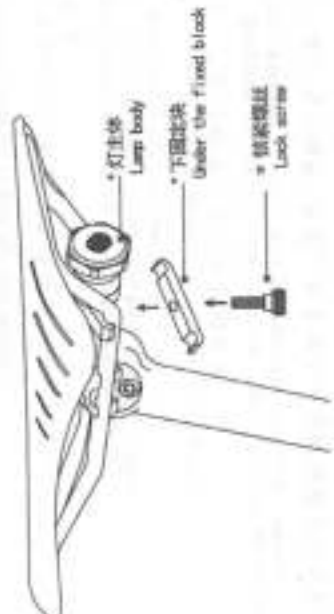
以下资料填写:
 The following is to be completed by goods clerk:
 销售资料:
 Sales information:
 销售单位 (加盖公章):
 Sales unit (stamp with company seal):
 联系电话:
 Phone: _____
 地址:
 Address: _____

就近服务指导 (顾客第一时间联系电话):
 Nearby service guide (the foremost contact for users):
 服务单位名称:
 Service unit:
 联系电话:
 Phone: _____
 地址:
 Address: _____

USB RECHARGEABLE BIKE LIGHT

感谢您使用此款尾灯。
 *Thank you for choosing the light.
 使用之前请仔细阅读说明书。
 *Please read this manual carefully before using.
 如果产品与产品相对应的说明书, 我们诚挚的向您道歉。
 If it is not corresponding to the product specifications,
 we sincerely in your apology

HOW TO MOUNT THE LIGHT 安装示意图



SPECIFICATION 参数/功能

使用前请确认是否正确安装。
 *Before use, please confirm whether it is right to install.
 使用时请确认你是使用自动模式还是手动模式, 长按3秒开机为手动模式。
 *Please confirm that you are using automatic mode or manual mode, click open to automatic mode. Long press for 3 seconds boot for manual mode.

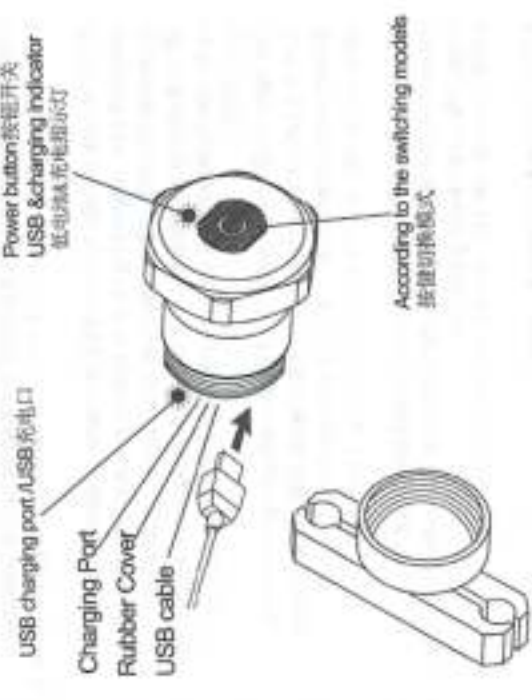
骑行中当你刹车减速, 尾灯会自动感应后灯亮起。
 *In riding when you brake to slow down when you use the original supplied induction 3 times as bright alert to the rear.
 当感应到产品启动时, 尾灯会自动关闭, 当再次感应到震动, 会自动开启。
 When sensing product to start, tail light will automatically shut down. When the induction to the vibration, again will automatically open.
 自动模式下感应到环境光线良好, 会自动关闭或自己启动, 如果你需要开启, 请使用手动模式。
 *Automatic mode induction to the ambient light is good, can not boot or shutdown, if you need to open a bright please use manual mode.
 *When the voltage is less than 3.2V will be automatically entered into energy saving mode, in ping shan mode switch.

智能尾灯功能描述如下:
 Smart tail lights work function description is as follows:

运行条件	手动模式* 自动模式
骑行中 +10% 环境亮度	关闭 关闭
骑行中 +60% 环境亮度	开启 开启
自行车停止 ! 警示中	关闭 关闭
其他任意情况	关闭 关闭

HOW TO CHARGE BATTERY 如何充电

Attention: would like to recommend you to use the original supplied USB cable to charge the battery. Unplug the light cable once the battery is fully charged 建议在原装USB线充满后拔掉USB数据线。



Charging indicator 充电指示灯
 *Green breathing for charging 绿色呼吸灯充电
 *Red light normally on work for manual mode 红色常亮为手动模式工作
 *Normally on in full of green light 绿色常亮为充满
 *Red light normally on work for manual mode 红色常亮为手动模式工作

产品参数及装箱单

Product Specification and Package List

尺寸: 52mmX53mmX38mm
 Size: 52mmX53mmX38mm
 灯珠: COB
 Lamp: COB
 最高亮度: 100流明
 Maximum brightness: 100 lumens
 泛光角度: 180度
 Floodlight angle: 180 degrees
 外壳材料: A16061
 Housing material: A16061
 充电方式: USB充电
 Recharge: USB
 电池: 500mAh
 Battery: 500mAh

装箱清单 Package List

自行车尾灯	1个
Bicycle tail lights	1piece
说明书	1份
Instruction	1piece
充电线	1条
RECHARGE CABLE	1piece
下面固定块	1个
Under the fixed block	1piece
固定螺丝	1个
Fixed screw	1piece

5. 下列一切非正常使用情况下造成的任何损失, 将不承担任何
 Do not assume any responsibility if any damages caused by the following improper uses.

- 因意外事故导致用户错误使用造成安全隐患或事故
 Hidden safety factors or incidents caused by irresistible factors.
 (3) 消费者未按照说明书规范进行操作使用非说明书上要求的配件等消耗材料造成对第三方配件的损坏, 及意外事故或人身伤害。
 Damages or accidents or injuries caused by user's pendent operation against the manual or, using other
- 无论你在任何地方购买本产品, 均可在最近的售后服务中
 得到同样优质的售后服务, 如果问题没有得到妥善解决, 请致电
 或来向客户服务部。
 Wherever you purchased product, you have the total access to equivalent services from the nearest customer service center; if the problem is not solved to your satisfaction, please make a phone call to us or email to our customer service department.
- 对以上条款的修改及解释权归本公司。
 The right of modification and interpretation on above

商品名称	三包有效期限(日)	备注
产品保修服务	一年	0.50%
配件	三个月	

保修卡

Guarantee Card
 1. 有关售后服务事宜, 请与经销商联系, 正
 常使用出现质量问题, 自购机之日起七天内包
 退, 十五天内可免费更换本公司同一型号的产
 品, 但产品包装不予更换。
 Contact the wholesaler for inherent problems under correct use, we accept a return during seven days since purchase; users are allowed to replace a new product of the same model during fifteen days since purchase, package is excluded in the replacement.
 2. 购买时间以经销商开出的发票或收据为准。
 Purchase date is defined in accordance with the invoice or receipt made by wholesaler.
 3. 下列情况下包换、保修失败, 但提供有偿维修服务。
 Under the following circumstances, return and fix are both invalidated, but we offer a paid restoration service.
 (1) 一切人为因素损坏, 如非正常工作环境下使用, 不按说明书使用引起的损坏等。
 All damages caused by subjective factors such as using under abnormal conditions or against the user manual.
 (2) 客户自行维修、改装, 或未经本公司授权的单位维修;
 User's independent repairing and modifying or other unauthorized maintenance.
 (3) 购买后因运输不良造成的损坏。
 Damages caused by improper shipping.
 4. 本产品保修卡包换/保修, 需服务时, 请提供新机
 发票或收据。
 We offer return/maintenance service by presenting this card, please show your invoice or receipt or when the service is needed.

*充电说明

Recharge reminder
 用Micro USB接口数据线将车灯与供电设备连接
 后, 电量指示灯显示三色闪亮, 即开始充电, 充
 满后电量指示灯变为蓝色不闪; 如充电时使用,
 建议使用低档位工作。

After connecting the Micro USB cable with the power supplier, recharging starts with the battery indicator appears blue and flashing, the indicator turns stable blue while recharging.
 *快速充电电路: 充电电流1.0A; 最大充电电压5V.
 Fast recharge circuit: Recharging current 1.0A; Max voltage 5V.

警告

WARNING
 本产品在不使用的情况下, 每隔3个月需充电一
 次, 以避免成电池损坏, 导致无法使用。

When not to be used, this product is required to be charged every other three months to avoid battery damage and unusability.