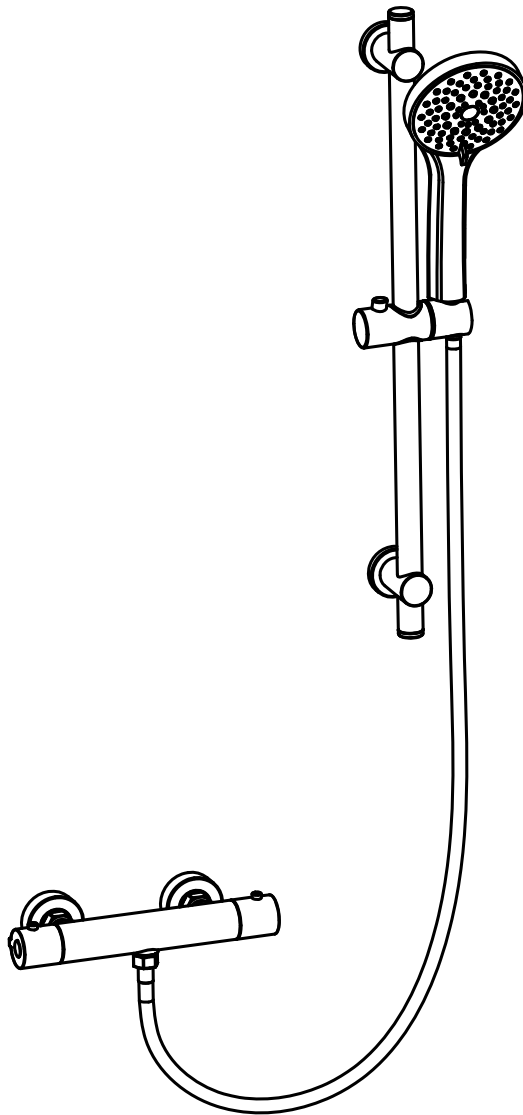


Specifications

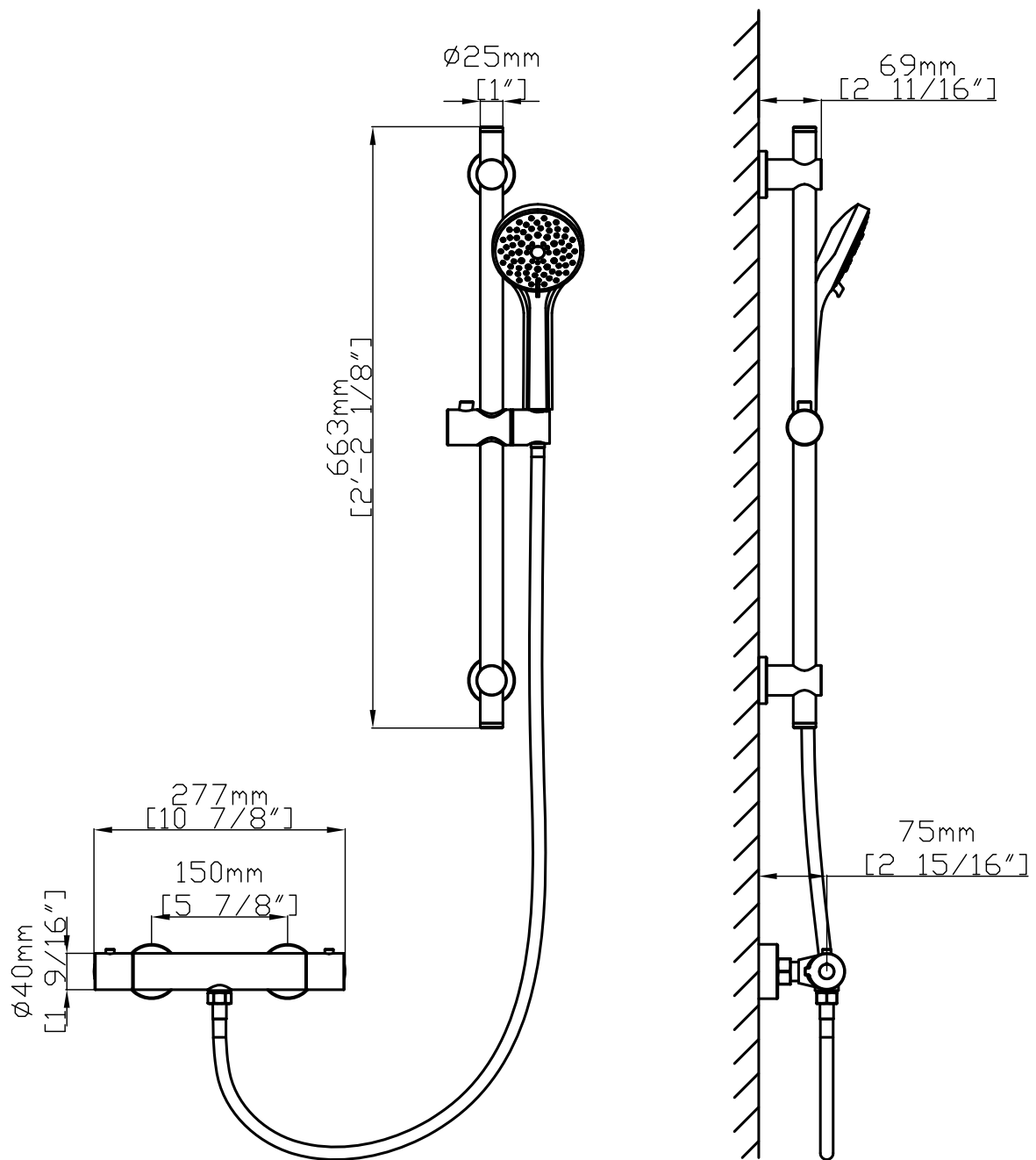


DESCRIPTION

- Brass construction
- Includes Red/Blue indicators

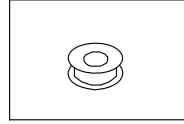
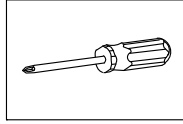
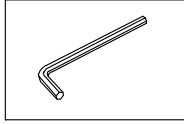
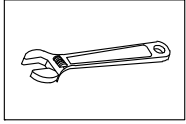
CARTRIDGE

- Thermostatic cartridge



Note: Dimensions are for reference only. Detailed information is in accordance with the final product.

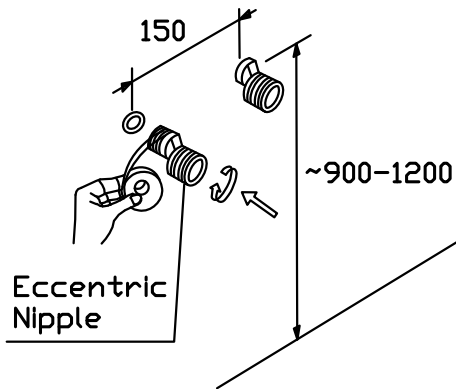
INSTALLATION MANUAL Tools You Will Need :



Adjustable wrench Hexagon wrench Philips Screwdriver Pipe Tape

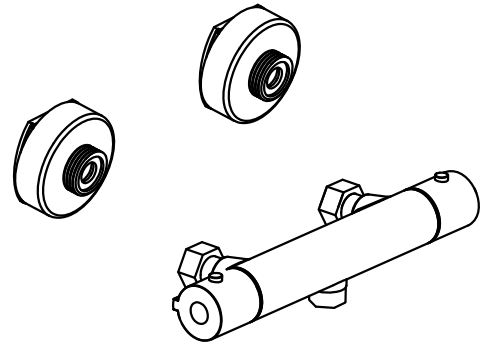
Notes before installation :

1. Please check that all components are present.
2. Before installation ensure that all feed lines are clear of debris and on/off valve is present.
3. Ensure water pressure is between 0.1-8 BAR (includes combination of hot and cold feed lines).
4. Pictures in the manual are general in content and may not represent exactly your purchased faucet.
If you are having difficulties please contact a professional plumber.
5. If you will be away from home for an extended period you should shut off the main water supply.



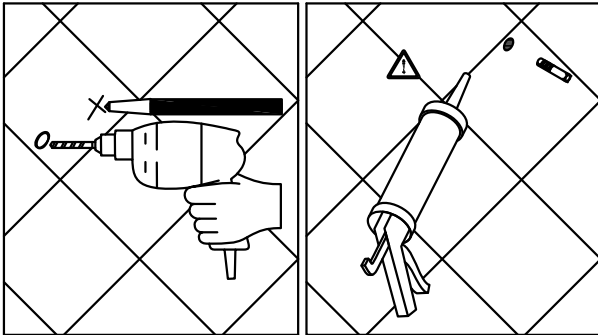
Step 1

As shown, install the accessories and attach the tape.



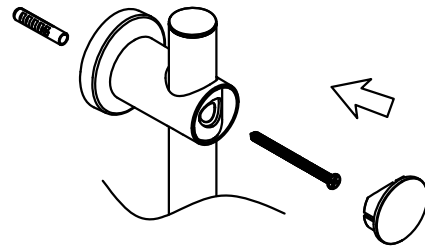
Step 2

Install the main body and rubber pad.



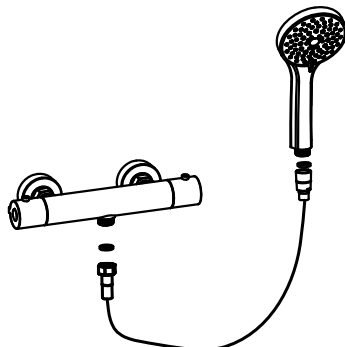
Step 3

Drill the screw holes and install the anchors.



Step 4

Use expansion screw to fix holder on the wall, then close the fixed cover



Step 5

Place the hose washer in the short hose end connection. Connect this end of the hose to the mixer. Place the screen washer in the long hose end connection. Install the handshower on this end of the hose. Rest the handshower in the holder.