

PHILIPS

Service
Manual



HR2041
HR2042

General information



General specifications

Product features: Dishwasher safe, Pulse, Variable speed

Type of lid: Removable

Blade: 4 star blade

Speed UI: Rotary knob

Design

Color: Black White Red

Accessories

Included: Chopper, On-the-go tumbler, Mill

Technical specifications

Capacity jar: 1.9 L

Power: 450 W

290 W for Indonesia

Working capacity jar: 1.0 L

Finishing

Material blade: Stainless Steel

Material jar: SAN

Important repair instructions

- Only skilled personnel should carry out the repair.
- After repair the appliance should function properly.
- After repair the appliance has to meet the regulatory - and safety requirements that were applicable at the time of release of the model.
- After repair the appliance always has to be tested for electrical safety according VDE 0701-0702 and for medical products IEC 62353.

Disassembly - and Reassembly advice

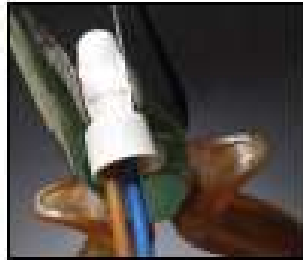
During disassembly and repair

Wiring and crimp connections instructions*

Caution: Some wiring insulation types, like silicone wiring, are very soft and easy to damage. Replace damaged wires.

Whenever an electrical component is repaired, crimp connectors should be opened.

- The easiest way to reopen a closed crimp housing is by attacking from the side with pliers.



Note: Do not cut the old crimp as this causes shortening of the wires and can be an issue afterwards. Always connect the wires with a new 2 or 3-wire crimp housing.

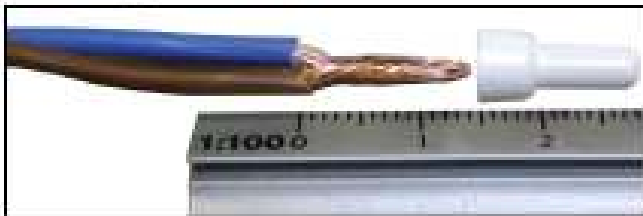
Required tool when replacing crimp connections:

Ratchet Crimping Tool

- Oval crimp tool for insulated cable connectors
- 0.5 mm² - 6 mm²

Preparing of wires.

- Twist the nude copper wires together along the entire length of the strip.



- 16 mm (0,63 in) Max
- 13 mm (0,51 in) Min
- Insert the wires into a new crimp housing.

* Reference Documents

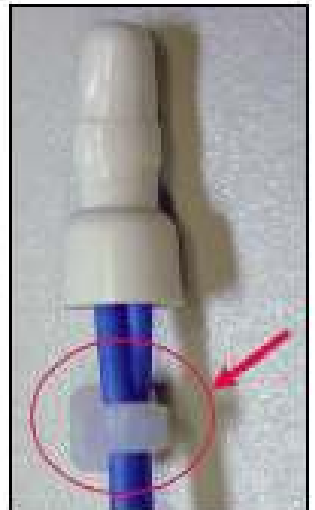
1. IEC 61210:1993 "Flat quick-connect terminations for electrical copper conductors - Safety requirements"
2. IEC 60352-2:1990 (amd. 1:1996 + amd. 2:2002) "Solderless crimped connections - General requirements, test methods and practical guidance"

- Make sure not to miss any single wire, as any loose wire that comes into contact with metal parts of the appliance may cause electrical shocks.
- Center the ratchet crimping tool on the crimp housing, and crimp with 6 kg/cm².



- Perform a pull test to check that wires are firmly fixed!

- Tie ribs are used as strain relief for these crimp connector types.
- Always use or replace tie ribs when replacing crimp connectors!



WARNING:

- Make sure that the crimp is fully tightened. If not done properly it can cause inner sparking, cause overheating and in worst case cause a fire!
- Please align the crimp in such a way that with high air humidity, moist cannot be captured into the crimp housing
- When reassembling, the open sides of the crimp housings should always face down.

Spare Parts

1



2



3



4



5



6



7



8



9



10



11



12



13

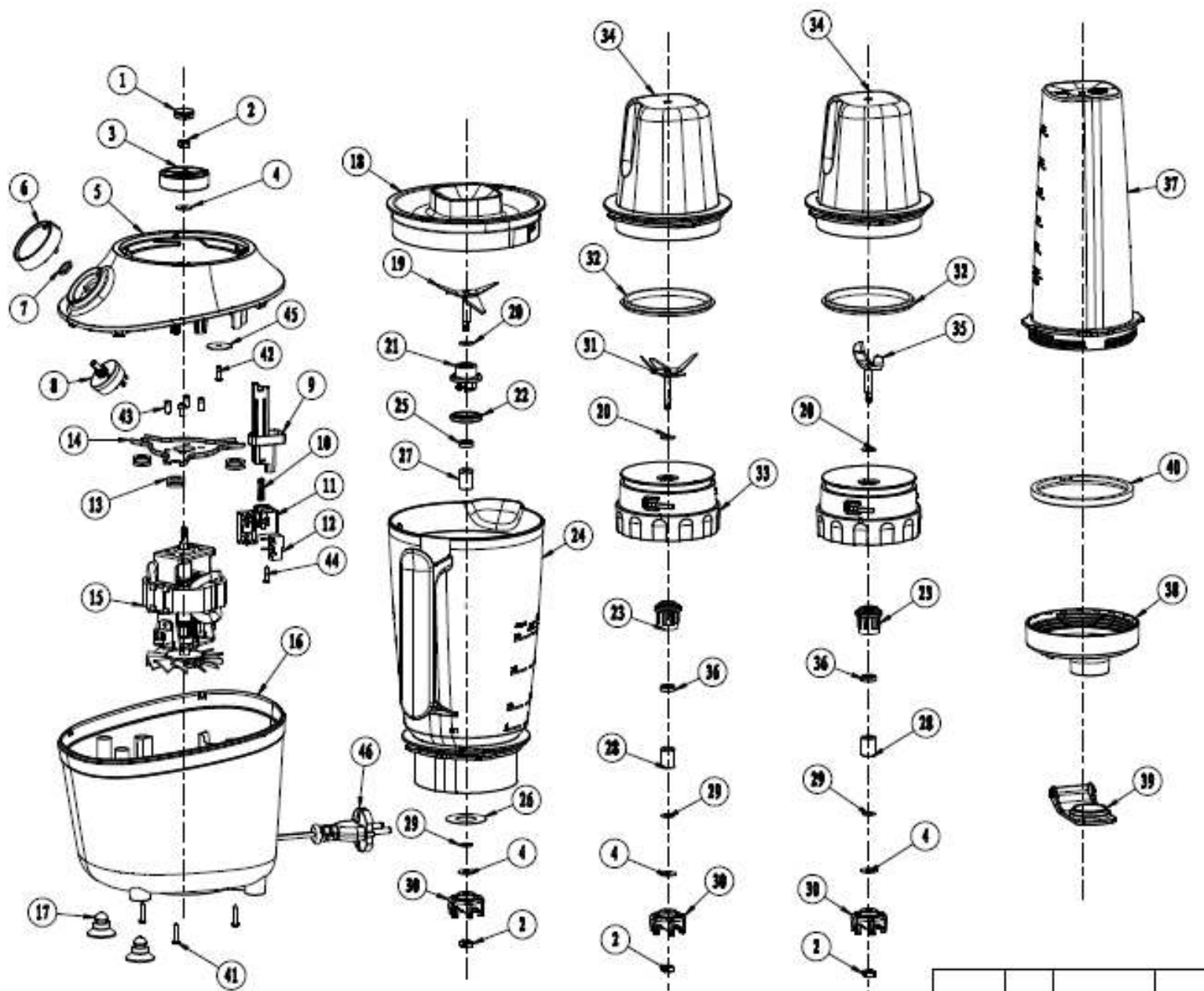


14



Part List

1	300007510561	White housing assy KR Plug	883 2041 00 470
1	300007510571	Black housing assy KR Plug	883 2041 41 470 883 2041 01 470
1	300007510581	Black housing assy VDE Plug	883 2041 41 010 883 2041 15 010
1	300007510591	White housing assy VDE Plug	883 2041 00 010 883 2041 10 640 883 2041 30 640 883 2041 50 640
1	300007510601	White housing assy UK Plug	883 2041 10 500 883 2041 30 500 883 2041 50 500
1	300007510611	White housing assy South A Plug	883 2041 10 230 883 2041 30 230
1	300007510621	Red housing assy Indo Plug	883 2042 13 650 883 2042 33 650 883 2042 53 650
2	300007510631	Jar lid white	HR2041/00 HR2041/10 HR2041/30 HR2041/50
2	300007510641	Jar lid black	HR2041/01 HR2041/41 HR2041/15
2	300007510651	Jar lid red	HR2042/13 HR2042/33 HR2042/53
3	300007510661	Jar with blade assy	HR2041/HR2042
4	300007510671	Mill cup	HR2041/10 HR2041/15 HR2041/30 HR2041/32 HR2041/50
5	300007510681	Mill blade	HR2042/12 HR2042/13 HR2042/33
6	300005069431	Mill blade seal ring	HR2042/52 HR2042/53
7	300007510541	Chopper cup	HR2041/30
8	300007510551	Chopper blade	HR2041/32 HR2042/33
9	300005069431	Chopper blade seal ring	
10	300005143451	Tumbler jar	
11	300005143431	Tumbler jar lid	HR2041/41
12	300005143441	Tumbler jar lid seal ring	
13	300007510531	Tumbler blade	
14	300005143621	Tumbler blade seal ring	



Version History

1. Version A: Initial release

-----wk2124



www.philips.com