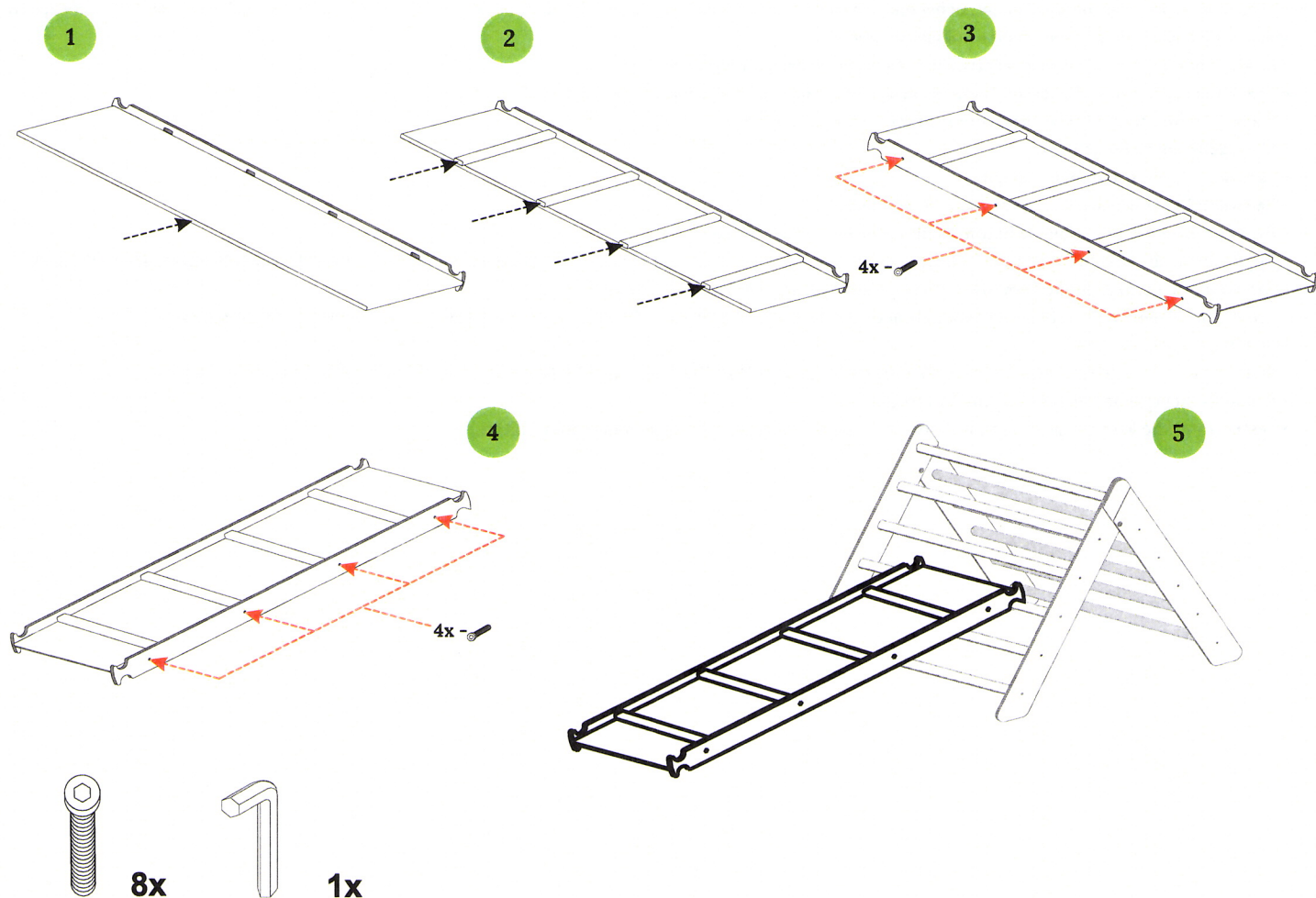


Deska k trojúhelníku Pikler BusyKids



Care and Maintenance:

- The board can be placed at a maximum height of 600 mm.
- Check all nuts and screws prior to use and periodically thereafter. Tighten or replace as necessary. Failure to do so may result in the toy overturning or otherwise becoming dangerous. Replace damaged parts according to the manufacturer's instructions.
- Product may be cleaned with a mild household detergent and warm water.
- Do not place near stairways, wall heaters, fireplace or any source of extreme heat.
- The maximum weight of the child for whom the toy is intended is 80kg.
- The minimum age of the child is a 1 year.
- **Warning!** For home use only.
- **Warning!** Number of users at the same time is ONLY 1 child.
- The toy **CAN NOT** be placed over concrete, asphalt or other hard surfaces.
- The recommendation is that the toy for physical activity be placed on a flat surface at a minimum distance 2 m from any buildings or obstacles, such as a fence, garage, house, overhanging branches, clotheslines or power lines.
- Modifications made by the user to the original physical activity toy (for example, by adding accessories) should be made in accordance with the manufacturer's instructions.
- PARENTS: MONITOR YOUR CHILD'S PLAY ACTIVITY TO ENSURE PROPER AND SAFE USE OF THIS PRODUCT.
- Keep the manual for the entire period of the product use.
- The hex key is only intended for assembling a toy. The key is not a toy, keep it out of the reach of children.



Manufactured/ Výrobce:

BusyKids Europe s.r.o.,

Osík 50, 569 67

Czech Republic

E-mail: info@busy-kids.eu

On all the questions you may contact / v případě jakýchkoliv dotazů neváhejte kontaktovat:

BusyKids Europe s.r.o.