

PKGRIND-4 & PKGRIND-4B

ANTIQUE STYLE PEPPERMILL MECHANISM

KIT INCLUDES:

- Adjustable mechanism – grounds can be made course or fine
- 2 mounting screws

REQUIRED ACCESSORIES:

- 1" Forstner bit #FB1
- 1-3/4" Forstner bit #FB134
- 5/16" Drill bit #PKPERF-DB
- 1" Jam Chuck #CJAM1
- 60° Live Center
- 3 Jaw Drill Chuck
- Wood required: 2-1/2" Square(min) x 4" Long



PREPARING THE BLANK: (Recessed Mounting)

- Draw and mark the center of the blank. Draw a 1-3/4" circle. Mark the 4 mounting holes (see dia. A)
- Drill the (4) 5/16" holes, 1/4" deep follow with the larger 1-3/4" forstner bit to 1/4" deep.
- Drill a 1" hole through the blank.

MOUNTING THE BLANK ONTO THE LATHE: (see dia. B)

- Mount a drill chuck to the head stock
- Affix the Jam Chuck into the jaws and tighten
- Insert the blank, recessed end in first over the Jam Chuck. Bring the tailstock into the back hole in the blank.
- Expand the chuck in the hole tight for turning. Advance the tailstock and lock in place.

TURNING THE BLANK:

- Turn the blank down to the design of your choice.
- Finish the wood with Food Safe Oil, inside and out.

MOUNTING THE MECHANISM:

- Insert the base into the recess. Mark the mounting holes.
- Drill 2 pilot holes for the mounting screws.
- Screw the base into the wood.
- The grinder is ready to use.

Diagram A
Mounting the base

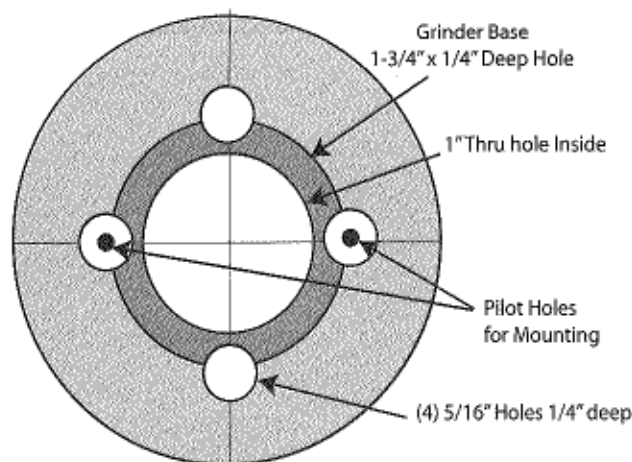


Diagram B
Turning the blank

