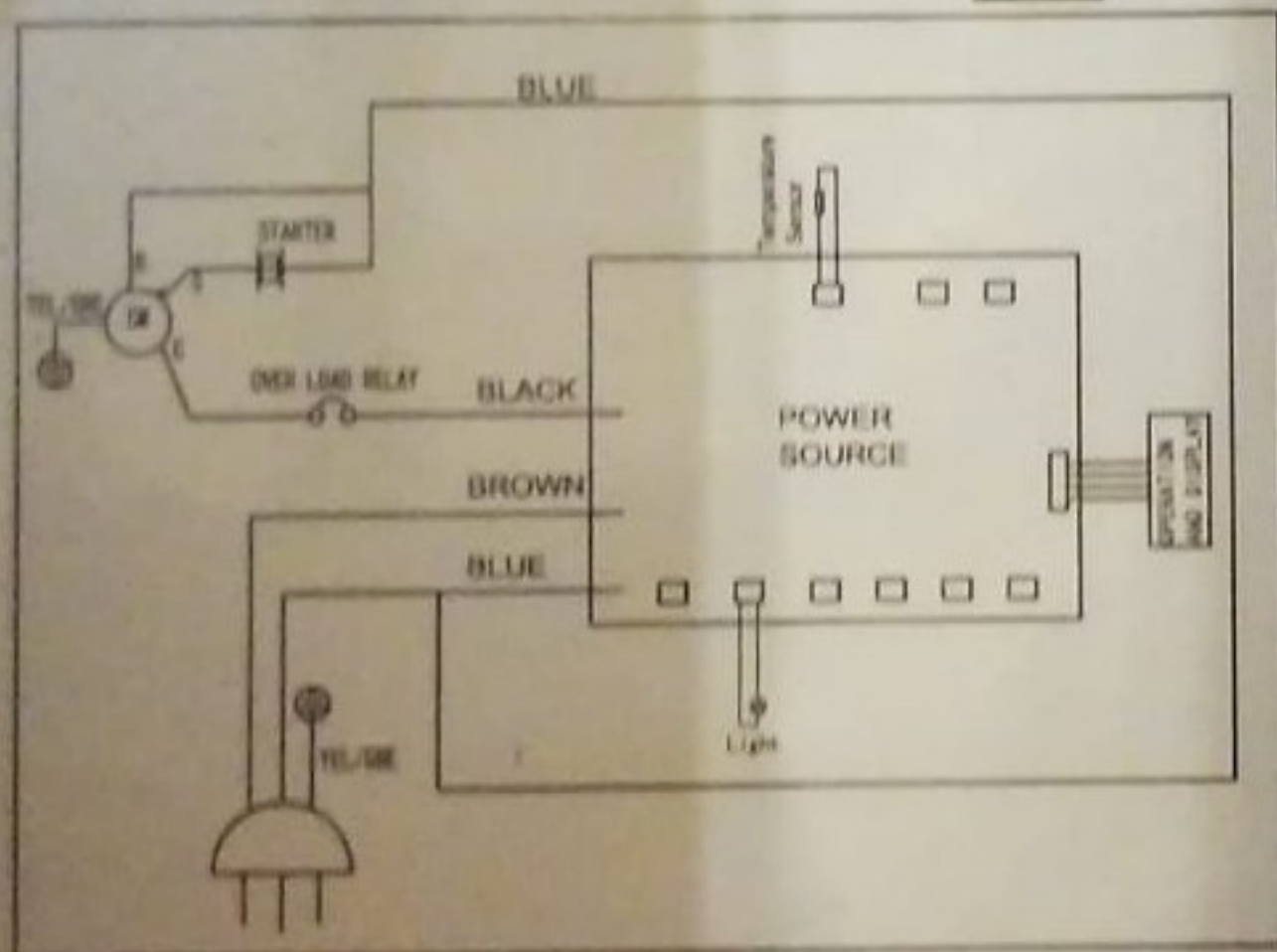




# WINE COOLER



Model	B4318C
Temp.Zone	1
Climate	ST
Protect	I
Volume	60L
Gas	R600a/23g
Voltage/Frequency	220~240V/50Hz
Current	0.4A
Daily energy consumption AE	0.35kW.h/24h
Daily energy consumption E16°C	0.15kW.h/24h
Daily energy consumption E32°C	0.55kW.h/24h
Blowing agent	C <sub>5</sub> H <sub>10</sub>