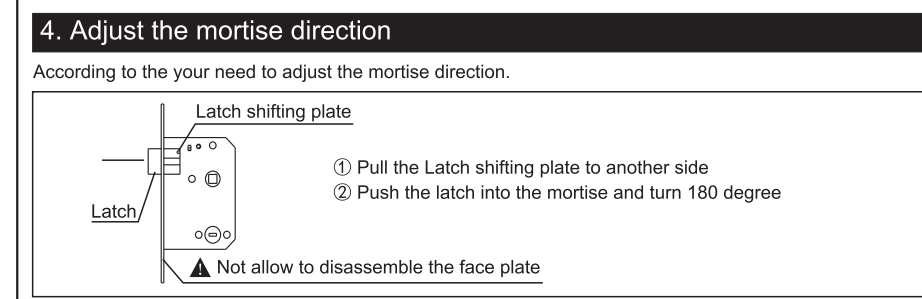
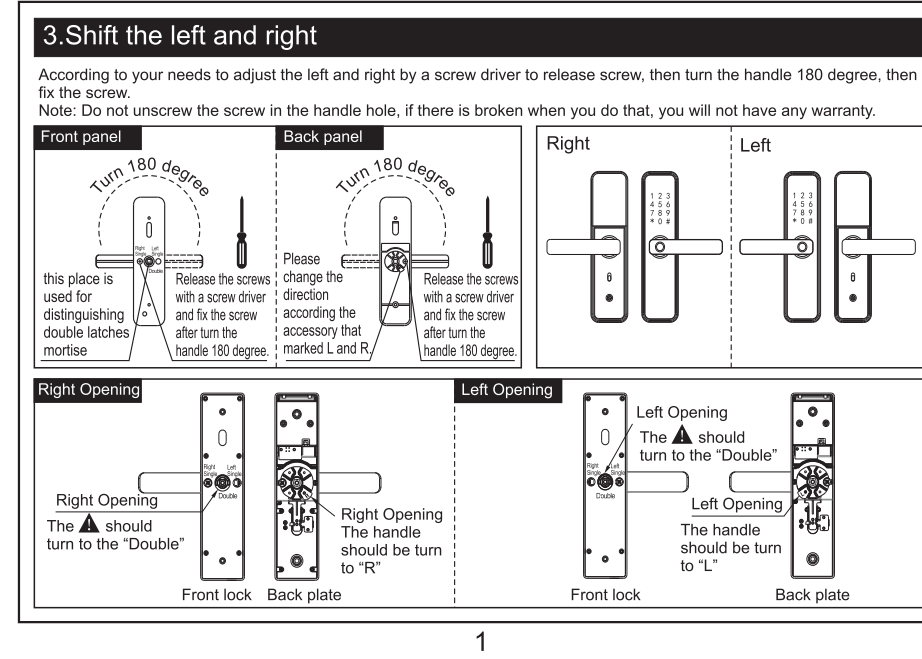
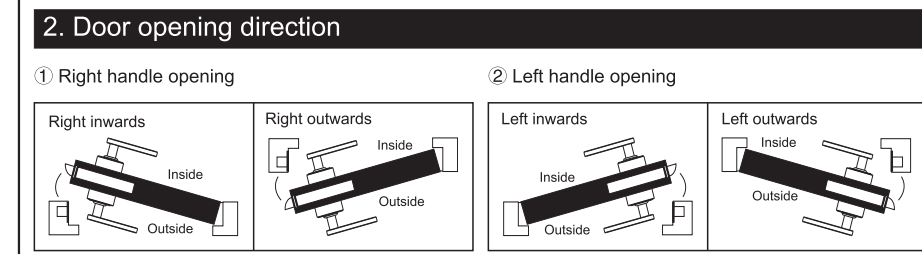
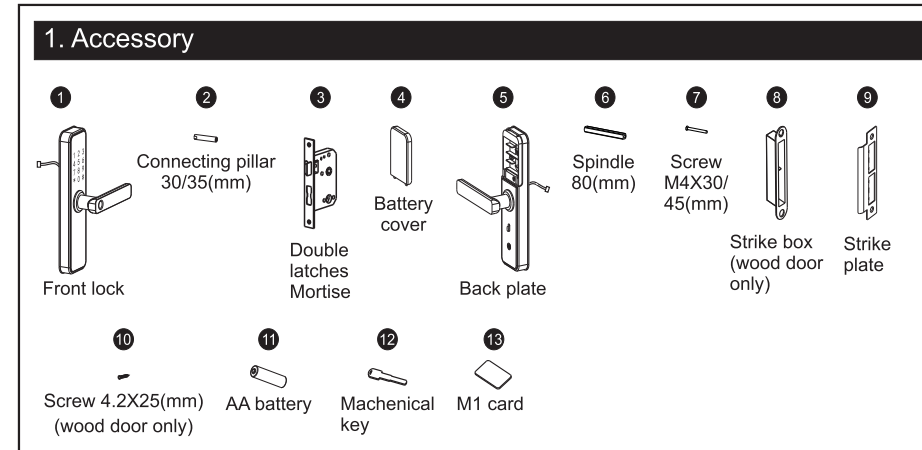


Smart lock manual

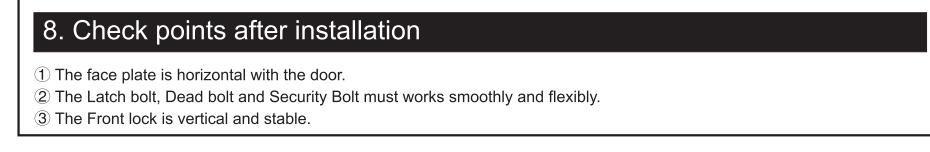
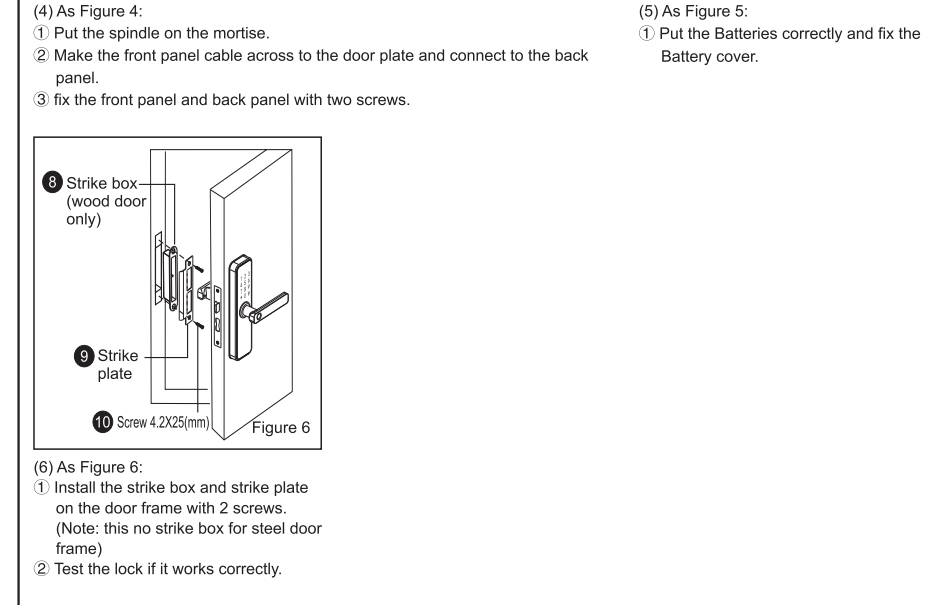
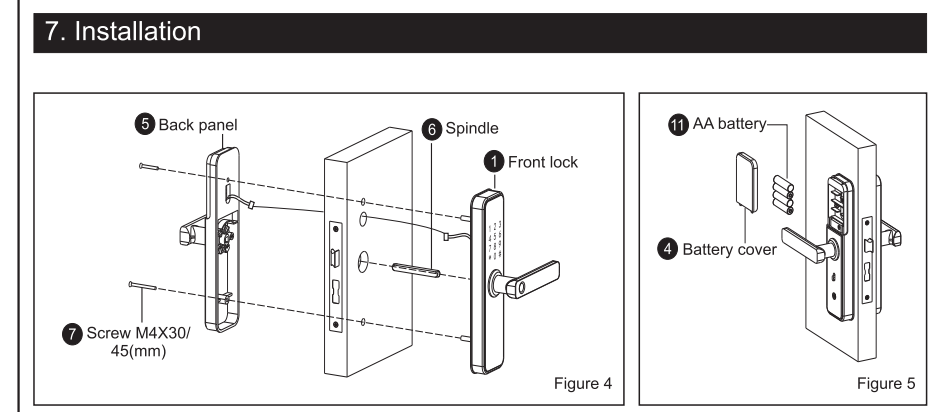
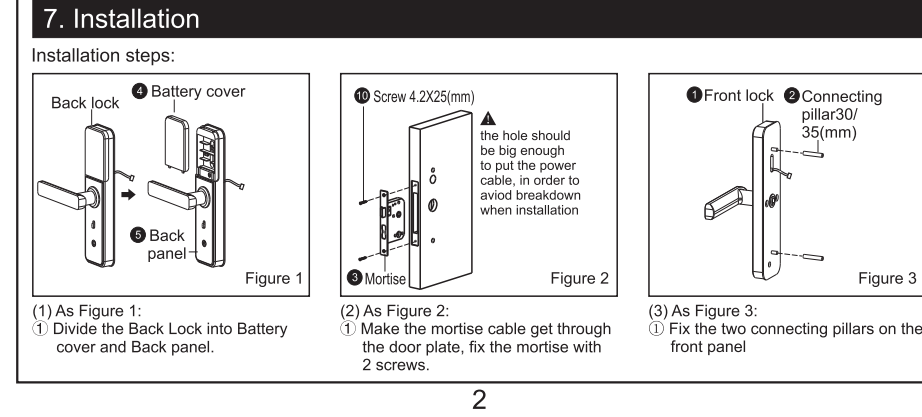
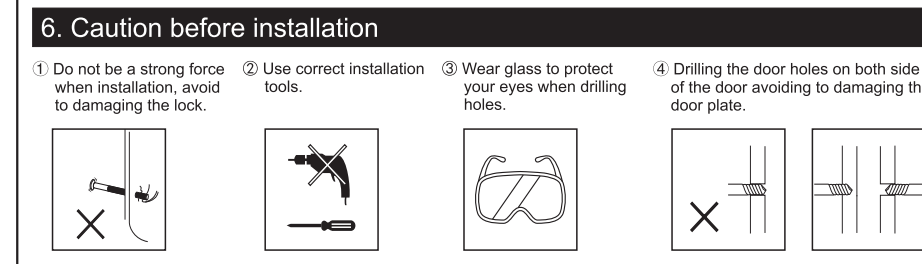
Installation guide of double latches mortise



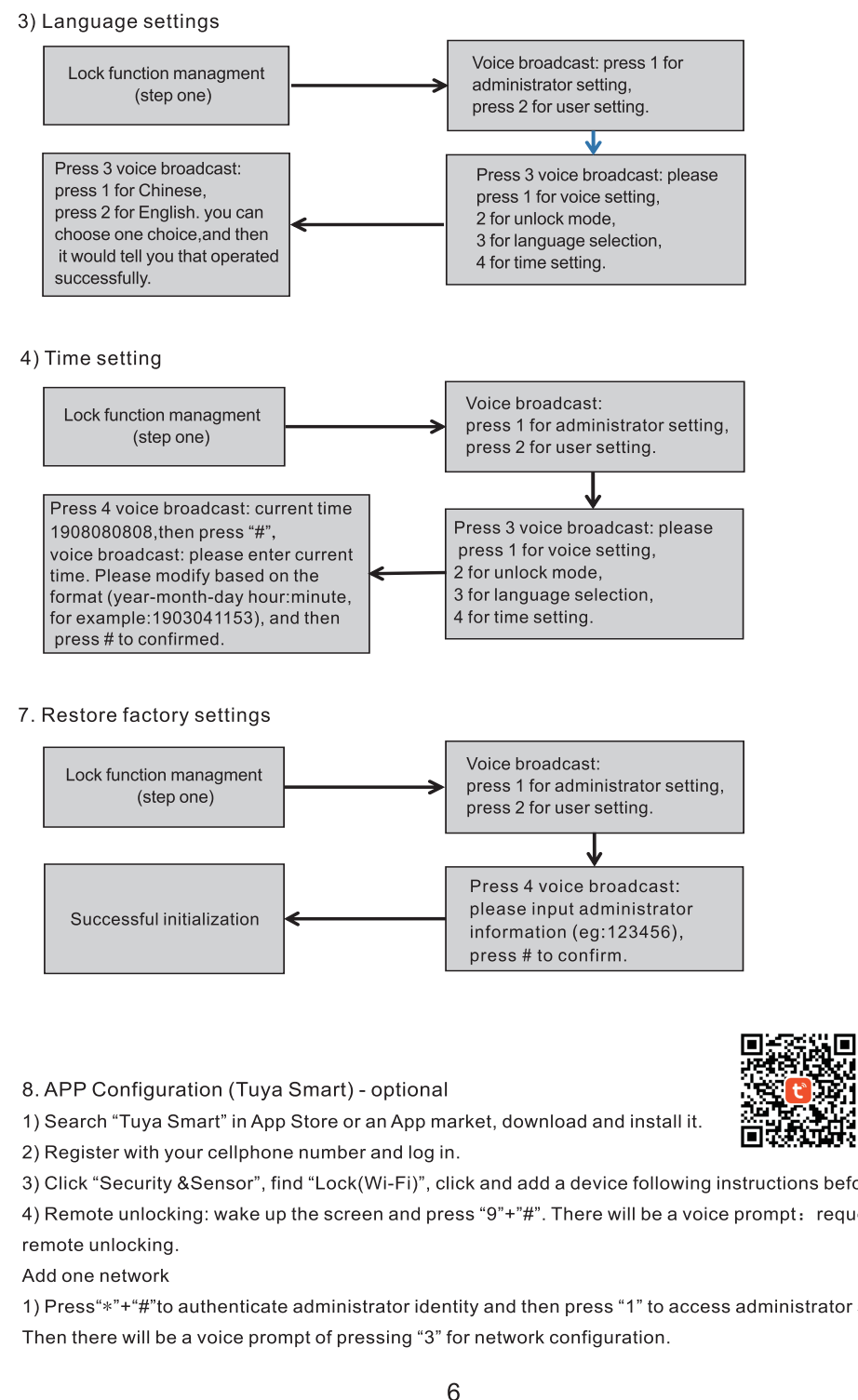
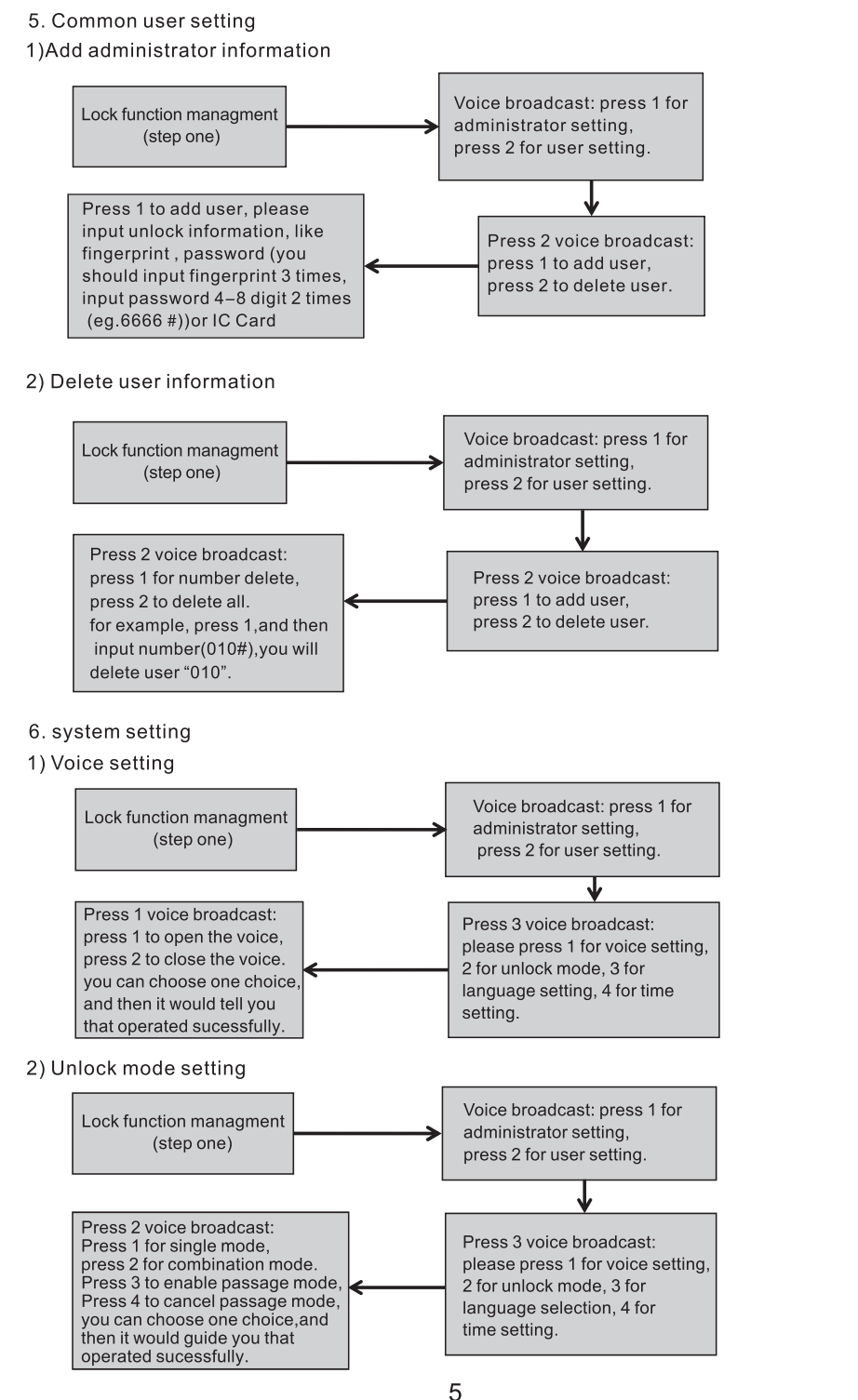
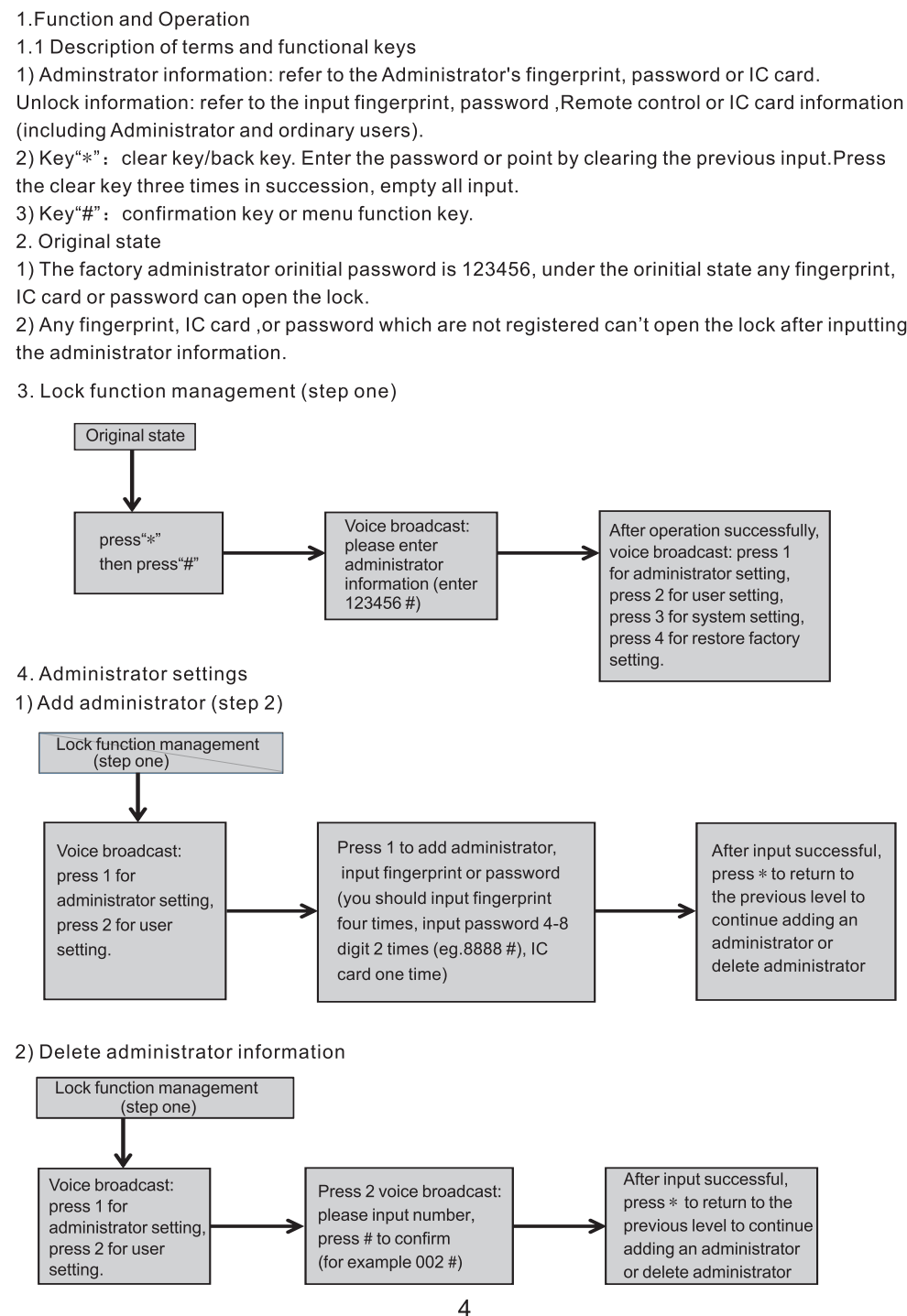
5. Accessories for sorts of door thickness

Available door thickness 35mm-55mm. If the door is over this range, please contact us for more information. Please select the correct accessories according to your door thickness.

Code and name	Specifications(mm)	door thickness ranges & QTY	
		35≤M≤40(mm)	41≤M≤55(mm)
① Spindle 80(mm)	80	1	1
⑩ Screw 4.2X25(mm) (wood door only)	4.2	4	4
⑪ Screw M4X30/45(mm)	M4	1	2
② Connecting pillar 30/35(mm)	30/35	1	2



Intelligent lock(five in one) operation manual



2) Voice prompt in network configuration mode: press "1" for hotspot connection and "2" for intelligent connection.

3) When the network is successfully added, the 1st, 2nd, 3rd and 4th lights on the keyboard will be on in order with a voice prompt of "operation completed".

4) In the event of network addition failure, the 1st, 2nd, 3rd and 4th lights on the keyboard will not be on and there will be a voice prompt of "operation failed" upon timeout.

Notice:
Please add administrator before setting.

9. Other notes

- Input the wrong password more than 5 times in a row, the keyboard locked for 30 seconds, it does not respond to any operations in 30 seconds.
- Password peeping prevention function: input password as follows when opening the door with password: XXX password XXX; you can add some extraneous codes before and after the password, and then press # to confirm. The password must be included in the input contents.
- If there is no operation more than 10 seconds, system will automatically exit.
- After the voltage is lower than 4.6v, the lock will automatically alarm every time when it is opened. After the alarm, the lock can be opened for about 200 times.
- Remove the battery cover, press the "Set" key for 6 seconds, the lock was restored to factory mode;
- In factory mode, input "333666999#" can change the language quickly;
- When unlocking, input "5#" to enter passage mode(One time effective);
- When unlocking, input "*" to broadcast the user number;
- When Electronic dead lock was opened, Only the administrator can open the lock

10. Technical Parameters

Technical Parameters			
	Items	Parameters	Memo
1	Static current	≅ 50uA	
2	Dynamic current	≅ 180mA	
3	Administrators number	9	
4	Fingerprint number	100	
5	Fingerprint + password + card capacity	300	
6	Fingerprint Sensor	Semiconductor	
7	Fingerprint contrast time	≅ 0.6Second	
8	Fingerprint identification Angle	360°	
9	False Rejection Rate	≅ 0.1%	
10	False Recognition Rate	≅ 0.0001%	
11	Reaction time	≅ 0.1 Second	
12	Power type	6V	
13	Emergency power	5VDC	
14	Working temperature	-25℃~60℃	
15	Working Relative Humidity	20%~90%RH	
16	Human voice	Yes	
17	Keyboard	Touch standard 12-bit keyboard	
18	Password Length	4-8 digits	
19	Phantom password	32 digits	
20	Low voltage alarm	4.6±0.2V	
21	Unlock time	≅ 1Second	