



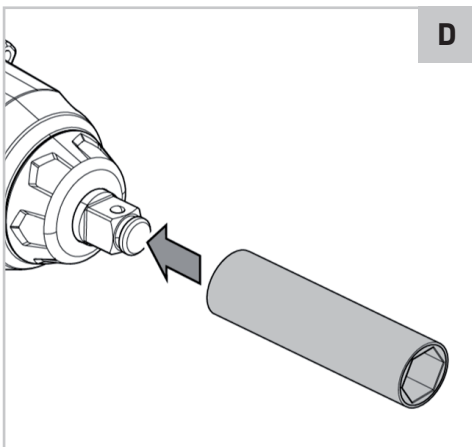
VONROC®

BUILD YOUR FUTURE

IMPACT WRENCH IW504AC



EN	Original Instructions	03
DE	Übersetzung Der Originalbetriebsanleitung	07
NL	Vertaling van de oorspronkelijke gebruiksaanwijzing	13
FR	Traduction de la notice originale	18
ES	Traducción del manual original	23
IT	Traduzione delle istruzioni originali	28
SV	Översättning av bruksanvisning i original	33
DA	Oversættelse af den originale brugsanvisning	38
PL	Tłumaczenie instrukcji oryginalnej	42
RO	Traducere a instrucțiunilor originale	47
PT	Tradução do manual original	52
HU	Eredeti használati utasítás fordítása	57
CS	Překlad původního návodu k používání	62



1. SAFETY INSTRUCTIONS

Read the enclosed safety warnings, the additional safety warnings and the instructions. Failure to follow the safety warnings and the instructions may result in electric shock, fire and/or serious injury. Save the safety warnings and the instructions for future reference.

The following symbols are used in the user manual or on the product:



Read the user manual.



Denotes risk of personal injury, loss of life or damage to the tool in case of nonobservance of the instructions in this manual.



Risk of electric shock.



Rotation, left/right.



Class II machine - Double insulation - You don't need any earthed plug.



Wear eye protection.



Wear hearing protection.



The product is in accordance with the applicable safety standards in the European directives.

GENERAL POWER TOOL SAFETY WARNINGS



WARNING! Read all safety warnings and all instructions. Failure to follow the warnings and instructions may result in electric shock, fire and/or serious injury.

Save all warnings and instructions for future reference.

The term "power tool" in the warnings refers to your mains-operated (corded) power tool or battery-operated (cordless) power tool.

1) Work area safety

- Keep the work area clean and well lit.** Cluttered or dark areas invite accidents.
- Do not operate power tools in explosive atmospheres, such as in the presence of flammable liquids, gases or dust.** Power tools create

sparks which may ignite the dust or fumes.

- Keep children and bystanders away while operating a power tool.** Distractions can cause you to lose control.

2) Electrical safety

- Power tool plugs must match the outlet. Never modify the plug in any way. Do not use any adapter plugs with earthed (grounded) power tools.** Unmodified plugs and matching outlets will reduce risk of electric shock.
- Avoid body contact with earthed or grounded surfaces, such as pipes, radiators, ranges and refrigerators.** There is an increased risk of electric shock if your body is earthed or grounded.
- Do not expose power tools to rain or wet conditions.** Water entering a power tool will increase the risk of electric shock.
- Do not abuse the cord. Never use the cord for carrying, pulling or unplugging the power tool. Keep cord away from heat, oil, sharp edges or moving parts.** Damaged or entangled cords increase the risk of electric shock.
- When operating a power tool outdoors, use an extension cord suitable for outdoor use.** Use of a cord suitable for outdoor use reduces the risk of electric shock.
- If operating a power tool in a damp location is unavoidable, use a residual current device (RCD) protected supply.** Use of an RCD reduces the risk of electric shock.

3) Personal safety

- Stay alert, watch what you are doing and use common sense when operating a power tool. Do not use a power tool while you are tired or under the influence of drugs, alcohol or medication.** A moment of inattention while operating power tools may result in serious personal injury.
- Use personal protective equipment. Always wear eye protection.** Protective equipment such as dust mask, non-skid safety shoes, hard hat, or hearing protection used for appropriate conditions will reduce personal injuries.
- Prevent unintentional starting. Ensure the switch is in the off-position before connecting to power source and/or battery pack, picking up or carrying the tool.** Carrying power tools with your finger on the switch or energising power tools that have the switch on invites accidents.
- Remove any adjusting key or wrench before**

turning the power tool on. A wrench or a key left attached to a rotating part of the power tool may result in personal injury.

- e) **Do not overreach. Keep proper footing and balance at all times.** This enables better control of the power tool in unexpected situations.
- f) **Dress properly. Do not wear loose clothing or jewellery. Keep your hair, clothing and gloves away from moving parts.** Loose clothes, jewellery or long hair can be caught in moving parts.
- g) **If devices are provided for the connection of dust extraction and collection facilities, ensure these are connected and properly used.** Use of dust collection can reduce dust related hazards.
- h) **Do not let familiarity gained from frequent use of tools allow you to become complacent and ignore tool safety principles.** A careless action can cause severe injury within a fraction of a second.

4) Power tool use and care

- a) **Do not force the power tool. Use the correct power tool for your application.** The correct power tool will do the job better and safer at the rate for which it was designed.
- b) **Do not use the power tool if the switch does not turn it on and off.** Any power tool that cannot be controlled with the switch is dangerous and must be repaired.
- c) **Disconnect the plug from the power source and/ or the battery pack from the power tool before making any adjustments, changing accessories, or storing power tools.** Such preventive safety measures reduce the risk of starting the power tool accidentally.
- d) **Store idle power tools out of the reach of children and do not allow persons unfamiliar with the power tool or these instructions to operate the power tool.** Power tools are dangerous in the hands of untrained users.
- e) **Maintain power tools. Check for misalignment or binding of moving parts, breakage of parts and any other condition that may affect the power tool's operation. If damaged, have the power tool repaired before use.** Many accidents are caused by poorly maintained power tools.
- f) **Keep cutting tools sharp and clean.** Properly maintained cutting tools with sharp cutting edges are less likely to bind and are easier to control.
- g) **Use the power tool, accessories and tool bits etc. in accordance with these instructions, taking into account the working conditions and the**

work to be performed. Use of the power tool for operations different from those intended could result in a hazardous situation.

- h) **Keep handles and grasping surfaces dry, clean and free from oil and grease.** Slippery handles and grasping surfaces do not allow for safe handling and control of the tool in unexpected situations.
- 5) **Service**
- a) **Have your power tool serviced by a qualified repair person using only identical replacement parts.** This will ensure that the safety of the power tool is maintained.

ADDITIONAL SAFETY WARNINGS FOR IMPACT WRENCHES

1. **Hold the power tool by insulated gripping surfaces, when performing an operation where the fastener may contact hidden wiring.** Fasteners contacting a "live" wire may make exposed metal parts of the power tool "live" and could give the operator an electric shock.
2. **Wear ear protectors when impact drilling.** Exposure to noise can cause hearing loss.
3. **Check the impact socket carefully for wear, cracks or damage before installation.**
4. **Hold the tool firmly.**
5. **Brace the tool properly before use.** This tool produces a high output torque and without properly bracing the tool during operation, loss of control may occur resulting in personal injury.
6. **Keep hands away from rotating parts.**
7. **Do not touch the impact socket, bolt, nut or the workpiece immediately after operation.** They may be extremely hot and could burn your skin.
8. **Always wait until the power tool has come to a complete stop before placing it down.** The application tool can jam and cause you to lose control of the power tool.
9. **Always be sure you have a firm footing.** Be sure no one is below when using the tool in high locations.
10. **The proper fastening torque may differ depending upon the kind or size of the bolt.** Check the torque with a torque wrench.
11. **Make sure there are no electrical cables, water pipes, gas pipes etc. that could cause a hazard if damaged by use of the tool.** Use suitable detectors to determine if there are hidden supply lines or contact the local utility company for assistance.

Electrical safety



Always check that the voltage of the power supply corresponds to the voltage on the rating plate.

- Do not use the machine if the mains cable or the mains plug is damaged.
- If the **supply cord** of this power tool is damaged, it must be replaced by a specially prepared **supply cord** available through the service organization.
- Only use extension cables that are suitable for the power rating of the machine with a minimum thickness of 1.5 mm². If you use an extension cable reel, always fully unroll the cable.

2. MACHINE INFORMATION

Intended use

The machine is intended for driving in and loosening screws and bolts as well as for tightening and loosening nuts whilst adhering to the technical data. Main purpose environment is in the automotive sector, for metal construction or roofing work. The device is not intended for drilling.

TECHNICAL SPECIFICATIONS

Model No.	IW504AC
Voltage	230-240V
Frequency	50Hz
Protection class	Class II
No load speed	2300/min
No load impact rate	0-3000/min
Chuck	1/2" square chuck
Max. torque	600Nm
Weight	4.4 kg
Sound pressure level LPA	88 dB(A) K=3 dB(A)
Sound power level LWA	99 dB(A), K=3dB(A)
Vibration	10.32 m/s ² K=1.5 m/s ²

Vibration level

The vibration emission level stated in this instruction manual has been measured in accordance with a standardized test given in EN 62841-1 and EN 62841-2-2; it may be used to compare one tool with another and as a preliminary assessment of exposure to vibration when using the tool for the

applications mentioned.

- Using the tool for different applications, or with different or poorly maintained accessories, may significantly increase the exposure level.
- The times when the tool is switched off or when it is running but not actually doing the job, may significantly reduce the exposure level.
- The vibration and noise emissions during actual use of the power tool can differ from the declared values depending on the ways in which the tool is used especially what kind of workpiece is processed.
- Need to identify safety measures to protect the operator that are based on an estimation of exposure in the actual conditions of use (taking account of all parts of the operating cycle such as the times when the tool is switched off and when it is running idle in addition to the trigger time)

Protect yourself against the effects of vibration by maintaining the tool and its accessories, keeping your hands warm, and organizing your work patterns.

DESCRIPTION

The numbers in the text refer to the diagrams on page 2.

1. Machine
2. Main handle
3. Power cable
4. Forward on / off switch
5. Reverse on / off switch
6. Metal enclosure
7. 1/2" (12,7 mm) square chuck

3. ASSEMBLY

Removing and mounting accessories



Use only 1/2" (12,7 mm) impact accessories. Non-impact accessories may break and cause a hazardous condition. Inspect accessory prior to use to ensure that it contains no cracks.

- Turn off the machine
- Remove socket from chuck (7), if there is one.
- Click the new socket on the chuck (7).
- Check if the socket is properly attached.
- To remove the socket, simply pull it off.

4. OPERATION

Switching the machine on and off and adjusting the direction of rotation (Fig. A)

The rocker switch is used for activating the machine and for choosing the direction of rotation.

- Pressing the Forward on / off switch (4) will activate the machine in forward direction, for tightening bolts/nuts. Releasing the Forward on / off switch (4) will stop the machine.
- Pressing the Reverse on / off switch (5) will activate the machine in reverse direction, for loosening bolts/nuts. Releasing the Reverse on / off switch (5) will stop the machine.



Only lay down the machine when it has stopped running completely. Do not place it on a dusty surface as particles of dust could get into the mechanism.

Optimum use

- If the screws/nuts are very tight or if they are rusted, use an appropriate tire wrench to slightly loosen them first.
- It is strongly advised to use the impact driver only for loosening screws/nuts. If you wish to use the impact driver to tighten screws and nuts, you must also use a torque limiter which is designed for this purpose. If not, the screw connection may be damaged. A torque limiter is available at specialized shops or suppliers. Prior to tightening, carefully insert the screw/nut into the threads.
- For specific applications as for example the automotive sector, it is required to tighten bolts/nuts to a torque specification. These are provided by the vehicle manufacturer, for example in the manual. Always follow these directions carefully. The torque can be set by using for example a torque limiter or a torque wrench (e.g. Vonroc TW501XX).

5. MAINTENANCE



Always disconnect the machine from the main power supply before carrying out any maintenance work.

Clean the machine casings regularly with a soft cloth, preferably after each use. Make sure that the

ventilation openings are free of dust and dirt. Remove very persistent dirt using a soft cloth moistened with soapsuds. Do not use any solvents such as gasoline, alcohol, ammonia, etc. Chemicals such as these will damage the synthetic components.

ENVIRONMENT



Faulty and/or discarded electrical or electronic apparatus have to be collected at the appropriate recycling locations.

Only for EC countries

Do not dispose of power tools into domestic waste. According to the European Guideline 2012/19/EU for Waste Electrical and Electronic Equipment and its implementation into national right, power tools that are no longer usable must be collected separately and disposed of in an environmentally friendly way.

WARRANTY

VONROC products are developed to the highest quality standards and are guaranteed free of defects in both materials and workmanship for the period lawfully stipulated starting from the date of original purchase. Should the product develop any failure during this period due to defective material and/or workmanship then contact VONROC directly.

The following circumstances are excluded from this guarantee:

- Repairs and/or alterations have been made or attempted to the machine by unauthorized service centers;
- Normal wear and tear;
- The tool has been abused, misused or improperly maintained;
- Non-original spare parts have been used.

This constitutes the sole warranty made by company either expressed or implied. There are no other warranties expressed or implied which extend beyond the face hereof, herein, including the implied warranties of merchantability and fitness for a particular purpose. In no event shall VONROC be liable for any incidental or consequential damages. The dealers remedies shall be limited to repair or replacement of nonconforming units or parts.

The product and the user manual are subject to change. Specifications can be changed without further notice.

1. SICHERHEITSHINWEISE

Lesen Sie die beigelegten Sicherheitswarnungen, die zusätzlichen Sicherheitswarnungen und die Anweisungen. Die Nichteinhaltung der Sicherheitswarnungen und der Anweisungen kann in einem Stromschlag, Brand und/oder in schweren Verletzungen resultieren. Bewahren Sie die Sicherheitswarnungen und Anweisungen für künftige Referenzzwecke auf.

Die folgenden Symbole werden im Benutzerhandbuch oder auf dem Produkt verwendet:



Lesen Sie das Benutzerhandbuch.



Bedeutet, dass bei Nichtbeachtung der Anweisungen in dieser Anleitung Verletzungen, Tod oder Beschädigung des Geräts die Folge sein können.



Stromschlagrisiko.



Rotation, links/rechts.



Werkzeug/Gerät der Schutzklasse II - schutzisoliert – Kein Schutzkontaktanschluss erforderlich.



Schutzbrille tragen!



Gehörschutz tragen.



Das Produkt entspricht den geltenden Sicherheitsstandards in den europäischen Richtlinien.

ALLGEMEINE SICHERHEITSHINWEISE FÜR ELEKTROWERKZEUGE



WARNUNG! Beachten Sie alle Sicherheitswarnungen und Anweisungen. Die Nichtbeachtung der Warnungen und Anweisungen kann in einem Stromschlag, Brand und/oder in schweren Verletzungen resultieren.

Bewahren Sie die Warnungen und Anweisungen für künftige Referenzzwecke auf.

Der Begriff „Elektrowerkzeug“ in den Warnhinweisen bezieht sich auf ein netzbetriebenes (kabelgebundenes) oder auf ein akkubetriebenes (kabelloses) Elektrowerkzeug.

1) Sicherheit am Arbeitsplatz

- a) **Halten Sie den Arbeitsbereich sauber und gut beleuchtet.** Unübersichtliche oder dunkle Bereiche führen eher zu Unfällen.
- b) **Betreiben Sie Elektrowerkzeuge nicht in explosionsgefährdeten Bereichen, z. B. bei Vorhandensein von brennbaren Flüssigkeiten, Gasen oder Staub.** Elektrowerkzeuge erzeugen Funken, die den Staub oder die Dämpfe entzünden können.
- c) **Halten Sie Kinder und Umstehende fern, während Sie Elektrogeräte benutzen.** Ablenkungen können zum Verlust der Kontrolle führen.

2) Elektrische Sicherheit

- a) **Die Stecker von Elektrowerkzeugen müssen zur Steckdose passen. Den Stecker niemals modifizieren. Verwenden Sie bei geerdeten Elektrowerkzeugen keine Adapterstecker.** Nicht modifizierte Stecker und passende Steckdosen reduzieren das Stromschlagrisiko.
- b) **Vermeiden Sie Körperkontakt mit geerdeten Oberflächen, wie Rohren, Heizkörpern, Herden und Kühlschränken.** Es besteht ein erhöhtes Stromschlagrisiko, wenn Ihr Körper geerdet ist.
- c) **Setzen Sie Elektrowerkzeuge keinem Regen oder feuchten Bedingungen aus.** Wenn Wasser in ein Elektrowerkzeug eindringt, erhöht sich die Gefahr eines Stromschlags.
- d) **Missbrauchen Sie das Kabel nicht. Verwenden Sie das Kabel niemals zum Tragen, Ziehen oder Herausziehen des Steckers des Elektrowerkzeugs. Halten Sie das Kabel vor Wärme, Öl, spitzen Kanten oder sich bewegenden Teilen fern.** Beschädigte oder verwickelte Kabel erhöhen das Stromschlagrisiko.
- e) **Wenn Sie ein Elektrowerkzeug im Freien betreiben, verwenden Sie ein für den Außeneinsatz geeignetes Verlängerungskabel.** Die Verwendung eines für den Außeneinsatz geeigneten Kabels verringert das Risiko eines Stromschlags.
- f) **Wenn der Betrieb eines Elektrowerkzeugs in einer feuchten Umgebung unvermeidlich ist, verwenden Sie eine durch einen Fehlerstromschutzschalter geschützte Stromversorgung.** Die Verwendung eines Fehlerstromschutzschalters senkt das Stromschlagrisiko.

3) Sicherheit von Personen

- a) **Bleiben Sie beim Umgang mit einem Elektrowerkzeug aufmerksam, achten Sie auf das,**

- was Sie tun, und benutzen Sie Ihren gesunden Menschenverstand. Benutzen Sie Elektrogeräte nicht, wenn Sie müde sind oder unter dem Einfluss von Drogen, Alkohol oder Medikamenten stehen.** Ein Moment der Unachtsamkeit während des Betriebs eines Elektrowerkzeugs kann zu schwerwiegenden Verletzungen führen.
- b) **Tragen Sie persönliche Schutzausrüstung. Immer eine Schutzbrille tragen.** Schutzausrüstungen wie Staubmaske, rutschfeste Sicherheitsschuhe, Schutzhelm oder Gehörschutz, die unter entsprechenden Bedingungen verwendet werden, verringern die Zahl der Verletzungen.
- c) **Unbeabsichtigtes Starten verhindern. Vergewissern Sie sich, dass der Schalter ausgeschaltet ist, bevor Sie das Gerät an die Stromquelle und/oder den Akku anschließen, es in die Hand nehmen oder tragen.** Das Tragen von Elektrowerkzeugen mit dem Finger auf dem Schalter oder das Einschalten von Elektrowerkzeugen, bei denen der Schalter eingeschaltet ist, lädt zu Unfällen ein.
- d) **Entfernen Sie vor dem Einschalten des Elektrowerkzeugs alle Einstellschlüssel oder Schraubenschlüssel.** Ein Einstellschlüssel oder Schraubenschlüssel, der an einem rotierenden Teil des Elektrowerkzeugs verbleibt, kann zu Verletzungen führen.
- e) **Keine anormale Arbeitshaltung einnehmen. Achten Sie jederzeit auf festen Stand und Ihr Gleichgewicht.** Das ermöglicht eine bessere Kontrolle des Elektrowerkzeugs in unerwarteten Situationen.
- f) **Angemessene Kleidung tragen. Tragen Sie keine locker sitzende Kleidung oder Schmuck. Haare, Kleidung und Handschuhe von beweglichen Teilen fernhalten.** Locker sitzende Kleidung, Schmuck oder lange Haare können sich in beweglichen Teilen verfangen.
- g) **Wenn Anschlüsse für Vorrichtungen zum Absaugen und Sammeln von Staub vorhanden sind, stellen Sie sicher, dass diese angebracht und ordnungsgemäß verwendet werden.** Die Verwendung einer Staubabsaugvorrichtung kann staubbedingte Gefahren verringern.
- h) **Achten Sie darauf, nicht durch häufigen Gebrauch von Werkzeugen nachlässig zu werden und die Prinzipien zum sicheren Umgang mit den Werkzeugen zu ignorieren.** Eine unachtsame Handlung kann innerhalb von Sekundenbruchteilen schwere Verletzungen verursachen.

4) Verwendung und Pflege von Elektrowerkzeugen**a) Wenden Sie keine übermäßige Kraft auf das Elektrowerkzeug an. Verwenden Sie das richtige Elektrowerkzeug für Ihre Anwendung.**

Das richtige Elektrowerkzeug erledigt die Arbeit besser und sicherer mit der Geschwindigkeit, für die es konzipiert wurde.

b) Verwenden Sie das Elektrowerkzeug nicht, wenn es nicht am Schalter ein- und ausgeschaltet werden kann. Jedes Elektrowerkzeug, das nicht mit dem Schalter gesteuert werden kann, stellt eine Gefahr dar und muss repariert werden.**c) Ziehen Sie den Stecker aus der Steckdose bzw. trennen Sie den Akku vom Elektrowerkzeug, bevor Sie irgendwelche Einstellungen vornehmen, Zubehörteile austauschen oder Elektrowerkzeuge aufbewahren.** Diese vorbeugenden Sicherheitsmaßnahmen verringern das Risiko einer unbeabsichtigten Inbetriebnahme des Elektrowerkzeugs.**d) Bewahren Sie ungenutzte Elektrowerkzeuge außerhalb der Reichweite von Kindern auf und erlauben Sie Personen, die mit dem Elektrowerkzeug oder dieser Anleitung nicht vertraut sind, nicht, das Elektrowerkzeug zu bedienen.** Elektrowerkzeuge stellen in den Händen von ungeschulten Benutzern eine Gefahr dar.**e) Pflegen Sie Elektrowerkzeuge. Prüfen Sie auf Fehlausrichtung oder Blockierung beweglicher Teile, Brüche von Teilen sowie auf alle anderen Bedingungen, die den Betrieb des Elektrowerkzeugs beeinträchtigen können. Bei einer Beschädigung lassen Sie das Elektrowerkzeug vor dem weiteren Gebrauch reparieren.** Viele Unfälle werden durch schlecht gepflegte Elektrowerkzeuge verursacht.**f) Halten Sie die Schneidwerkzeuge scharf und sauber.** Ordnungsgemäß gewartete Schneidwerkzeuge mit scharfen Schneidkanten verklemmen sich seltener und sind leichter zu kontrollieren.**g) Verwenden Sie das Elektrowerkzeug, das Zubehör und die Bits usw. gemäß dieser Anleitung und unter Berücksichtigung der Bedingungen und der vorgesehenen Arbeiten.** Die Verwendung des Elektrowerkzeugs für andere als die vorgesehenen Tätigkeiten kann zu einer gefährlichen Situation führen.**h) Halten Sie Griffe und Greifflächen immer trocken, sauber und frei von Öl und Fett.** Rutschige Griffe und Greifflächen verhindern in unerwarte-

ten Situationen den sicheren Umgang mit dem Werkzeug und die richtige Kontrolle darüber.

5) Wartung**a) Lassen Sie Ihr Elektrowerkzeug von einer qualifizierten Fachwerkstatt warten, die nur identische Ersatzteile verwendet.** So wird sichergestellt, dass die Sicherheit des Elektrowerkzeugs gewahrt bleibt.**ZUSÄTZLICHE SICHERHEITSWARNHINWEISE FÜR SCHLAGSCHRAUBER**

- 1. Halten Sie das Elektrowerkzeug an den isolierten Griffflächen, wenn Arbeiten durchgeführt werden, bei denen das Befestigungsmittel versteckte Leitungen berühren könnte.** Der Kontakt des Befestigungsmittels mit einer spannungsführenden Leitung kann auch metallene Geräteteile unter Spannung setzen und zu einem elektrischen Schlag führen.
- 2. Tragen Sie beim Schlagbohren einen Gehörschutz.** Lärm kann zu Hörverlust führen.
- 3. Überprüfen Sie die Schlagschrauberaufnahme vor der Installation sorgfältig auf Anzeichen von Verschleiß, Rissen oder Beschädigungen.**
- 4. Halten Sie das Werkzeug gut fest.**
- 5. Stützen Sie das Werkzeug bei Gebrauch richtig ab.** Dieses Werkzeug erzeugt ein hohes Ausgangsdrehmoment. Wenn das Werkzeug während des Betriebs nicht ordnungsgemäß abgestützt wird, kann es zu einem Kontrollverlust kommen, der zu Verletzungen führen kann.
- 6. Hände von rotierenden Teilen fernhalten.**
- 7. Schlagschrauberaufnahme, Schraube, Mutter oder Werkstück nicht direkt nach der Arbeit berühren.** Die Teile können extrem heiß sein und zu Hautverbrennungen führen.
- 8. Warten Sie immer, bis das Elektrowerkzeug vollständig zum Stillstand gekommen ist, bevor Sie es ablegen.** Das Werkzeug kann in der Anwendung stecken bleiben, wodurch Sie die Kontrolle darüber verlieren können.
- 9. Achten Sie immer auf einen festen Stand.** Achten Sie darauf, dass sich niemand unterhalb von Ihnen aufhält, wenn Sie das Werkzeug an hochgelegenen Stellen verwenden.
- 10. Das richtige Befestigungsmoment kann je nach Art oder Größe der Schraube unterschiedlich sein.** Überprüfen Sie das Drehmoment mit einem Drehmomentschlüssel.
- 11. Achten Sie darauf, dass keine Stromkabel, Wasser- oder Gasleitungen usw. vorhanden sind, die**

eine Gefahr darstellen könnten, wenn sie durch das Werkzeug beschädigt werden. Nutzen Sie einen geeigneten Detektor, um festzustellen, ob verborgene Versorgungsleitungen vorhanden sind, oder wenden Sie sich für Unterstützung an das lokale Versorgungsunternehmen.

Elektrische Sicherheit



Immer prüfen, dass die Spannung der Stromversorgung der Spannung auf dem Typenschild entspricht.

- Das Gerät nicht verwenden, wenn das Netzkabel oder der Netzstecker beschädigt ist.
- Wenn das Netzkabel dieses Elektrowerkzeugs beschädigt ist, muss es durch ein speziell vorbereitetes Netzkabel ersetzt werden, das über den Kundendienst erhältlich ist.
- Nur Verlängerungskabel verwenden, die für die Leistungswerte des Geräts geeignet sind und eine Mindestdicke von 1,5 mm² aufweisen. Bei Verwendung eines Verlängerungskabels auf einer Kabeltrommel muss das Kabel immer komplett abgewickelt werden.

2. GERÄTEDATEN

Verwendungszweck

Dieses Gerät ist zum Eindrehen und Lösen von Schrauben und Bolzen sowie zum Festziehen und Lösen von Muttern vorgesehen, wobei jeweils die technischen Daten zu beachten sind. Die Haupteinsatzumgebungen sind der Automobilsektor, der Metallbaubereich oder Dacharbeiten. Das Gerät ist nicht für Bohrarbeiten bestimmt.

TECHNISCHE DATEN

Modellnummer	IW504AC
Spannung	230-240V
Frequenz	50Hz
Schutzklasse	Klasse II
Leerlaufdrehzahl	2300/min
Schlaggeschwindigkeit ohne Last	0-3000/min
Spannfutter	1/2" square chuck
Max. Drehmoment	600Nm
Gewicht	4.4 kg
Schalldruckpegel LPA	88 dB(A) K=3 dB(A)
Schallleistungspegel LWA	99 dB(A), K=3dB(A)
Vibration	10.32 m/s ² K=1.5 m/s ²

Vibrationsintensität

Die in dieser Bedienungsanleitung angegebene Vibrationsintensität wurde mit einem standardisierten Test gemäß EN 62841-1 und EN 62841-2-2 gemessen. Anhand dieser Größe können Werkzeuge miteinander verglichen werden. Außerdem eignet sich diese Größe für eine erste Beurteilung der Vibrationsbelastung bei Verwendung des Werkzeugs für die angegebenen Anwendungszwecke.

- Bei Verwendung des Werkzeugs für andere Anwendungen oder mit anderem oder unzureichend gewartetem Zubehör kann sich die Vibrationsbelastung erheblich erhöhen.
- Wenn das Werkzeug ausgeschaltet ist, oder wenn es eingeschaltet ist, jedoch nicht genutzt wird, kann sich die Vibrationsbelastung erheblich verringern.
- Die Schwingungsemission und Die Geräuschemissionen bei der tatsächlichen Verwendung des Elektrowerkzeugs kann je nach Art der Verwendung des Werkzeugs vom angegebenen Gesamtwert abweichen.
- Es ist notwendig, Sicherheitsmaßnahmen zum Schutz des Bedieners zu ermitteln, die auf einer Einschätzung der Exposition unter den tatsächlichen Einsatzbedingungen beruhen (dabei sind alle Teile des Betriebszyklus zu berücksichtigen, z. B. die Zeiten, in denen das Werkzeug ausgeschaltet ist und in denen es im Leerlauf läuft, zusätzlich zur Auslösezeit).

Schützen Sie sich vor den Auswirkungen der Vibration durch Wartung des Werkzeugs und des Zube-

hören, halten Sie Ihre Hände warm, und organisieren Sie Ihren Arbeitsablauf.

BESCHREIBUNG

Die Zahlen im Text beziehen sich auf die Abbildungen auf den Seiten 2.

1. Gerät
2. Hauptgriff
3. Stromkabel
4. Vorwärtsgang-Ein-/Ausschalter
5. Rückwärtsgang-Ein-/Ausschalter
6. Metallgehäuse mit Gummiüberzug (als Zusatz handgriff zu verwenden)
7. 1/2" (12,7 mm) Vierkant-Spannfutter

Entfernen und Anbringen von Zubehör



Verwenden Sie nur 12,7 mm (1/2") Schlagzubehör. Nicht für Schlagwerkzeuge vorgesehenes Zubehör kann zerbrechen und Gefahren verursachen. Überprüfen Sie das Zubehör vor der Verwendung, um sicherzustellen, dass es keine Risse enthält.

- Stellen Sie das Gerät aus.
- Nehmen Sie die Aufnahme aus dem Spannfutter (7), falls vorhanden.
- Lassen Sie die neue Aufnahme im Spannfutter (7) einrasten.
- Überprüfen Sie, ob die Aufnahme richtig angebracht ist.
- Zum Entfernen können Sie die Aufnahme einfach herausziehen.

4. BETRIEB

Ein- und Ausschalten des Geräts und Einstellen der Drehrichtung (Abb. A)

Der Kippschalter dient zum Einschalten des Geräts und zum Auswählen der Drehrichtung.

- Das Drücken des Vorwärtsgang-Ein-/Ausschalters (4) aktiviert das Gerät in Vorwärtsrichtung, d. h. im Rechtslauf, um Schrauben/Muttern festzuziehen. Das Loslassen des Vorwärtsgang-Ein-/Ausschalters (4) schaltet das Gerät aus.
- Das Drücken des Rückwärtsgang-Ein-/Ausschalters (5) aktiviert das Gerät in Rückwärtsrichtung, d. h. im Linkslauf, um Schrauben/Muttern zu lösen. Das Loslassen des Rückwä-

rtsgang-Ein-/Ausschalters (5) schaltet das Gerät aus.



Legen Sie das Gerät erst ab, wenn es vollständig zum Stillstand gekommen ist. Legen Sie es nicht auf eine staubige Oberfläche, da Staubpartikel in den Mechanismus gelangen könnten.

Optimale Verwendung

- Wenn Schrauben/Muttern sehr fest sitzen oder Rost angesetzt haben, verwenden Sie zum Lockern zuerst einen passenden Radmutternschlüssel.
- Der Schlagschrauber sollte nur zum Lösen von Schrauben/Muttern verwendet werden. Wenn der Schlagschrauber zum Festziehen von Schrauben/Muttern verwendet werden soll, muss auch ein dazu geeigneter Drehmomentbegrenzer verwendet werden. Anderenfalls kann die Schraubverbindung beschädigt werden. Drehmomentbegrenzer sind im Fachhandel erhältlich. Vor dem Festziehen muss die Schraube/Mutter sorgfältig in das Gewinde eingesetzt werden.
- Für bestimmte Anwendungen, z. B. im Automobilsektor, müssen Schrauben/Muttern mit einem bestimmten Drehmoment angezogen werden. Die entsprechenden Werte werden vom Fahrzeughersteller bereitgestellt, beispielsweise im Fahrzeughandbuch. Diese Anweisungen sind stets genau zu befolgen. Das Drehmoment lässt sich beispielsweise mit einem Drehmomentbegrenzer oder einem Drehmomentschlüssel (z. B. Vonroc TW501XX) einstellen.

5. WARTUNG



Trennen Sie die Maschine vom Netz, wenn Sie am Mechanismus Wartungsarbeiten ausführen müssen.

Die Maschinengehäuse regelmäßig mit einem weichen Tuch reinigen, vorzugsweise nach jedem Gebrauch. Sicherstellen, dass die Lüftungsöffnungen frei von Staub und Schmutz sind. Sehr hartnäckigen Schmutz mit einem mit Seifenlauge befeuchteten Tuch entfernen. Keine Lösungsmittel, wie Benzin, Alkohol, Ammoniak usw., da solche Chemikalien die synthetischen Komponenten beschädigen können.

UMWELT



Fehlerhafte und/oder ausgesonderte elektrische oder elektronische Geräte müssen zu den entsprechenden Recycling-orten gebracht werden.

Nur für EU-Länder

Entsorgen Sie Elektrowerkzeuge nicht im Hausmüll. Nach der europäischen Richtlinie 2012/19/EU über Elektro- und Elektronik-Altgeräte und ihrer Umsetzung in nationales Recht müssen Elektrowerkzeuge, die nicht mehr verwendet werden sollen, getrennt gesammelt und auf umweltgerechte Weise entsorgt werden.

GARANTIE

VONROC-Produkte werden nach den höchsten Qualitätsstandards entwickelt und sind für den gesetzlich festgelegten Zeitraum ab dem Datum des ursprünglichen Kaufs garantiert frei von Material- und Verarbeitungsfehlern. Sollte das Produkt während dieses Zeitraums aufgrund von Material- und/oder Verarbeitungsfehlern ausfallen, wenden Sie sich bitte direkt an VONROC.

Folgende Umstände sind aus der Garantie ausgeschlossen:

- An der Maschine wurden von nicht autorisierten Servicestellen Reparaturen und/oder Änderungen vorgenommen oder versucht;
- Normaler Verschleiß;
- Das Gerät wurde missbräuchlich oder falsch verwendet oder unsachgemäß gewartet;
- Es wurden keine Originalersatzteile verwendet.

Dies ist die einzige ausdrückliche oder stillschweigende Garantie, die das Unternehmen übernimmt. Es gibt keine weiteren ausdrücklichen oder stillschweigenden Garantien, die über die hierin enthaltenen Angaben hinausgehen, einschließlich der stillschweigenden Garantien der Gebrauchstauglichkeit und Eignung für einen bestimmten Zweck. VONROC haftet in keinem Fall für zufällige Schäden oder Folgeschäden. Die Rechtsmittel des Händlers beschränken sich auf die Reparatur oder den Austausch der nicht konformen Geräte oder Teile.

Das Produkt und die Bedienungsanleitung können Änderungen unterliegen. Technische Daten können ohne vorherige Ankündigung geändert werden.

1. VEILIGHEIDSINSTRUCTIES

Lees de bijgesloten veiligheidswaarschuwingen, de aanvullende veiligheidswaarschuwingen en de instructies. Geef u geen gevolg aan de veiligheidswaarschuwingen en de instructies dan kan dat een elektrische schok, brand en/of ernstig letsel tot gevolg hebben. Bewaar de veiligheidswaarschuwingen en de instructies zodat u ze later ook nog kunt raadplegen.

De volgende symbolen worden gebruikt in de gebruiksaanwijzing of op het product:



Lees de gebruiksaanwijzing.



Duidt op het risico op lichamelijk letsel, overlijden en/of beschadiging van het apparaat, als de instructies in deze gebruiksaanwijzing niet in acht worden genomen.



Risico op een elektrische schok.



Rotatie, links/rechts.



Klasse II machine - Dubbele isolatie - Een geaarde stekker is niet nodig.



Draag altijd een veiligheidsbril!



Draag gehoorbescherming.



Het product voldoet aan de geldende veiligheidsnormen in de Europese richtlijnen.

ALGEMENE VEILIGHEIDSWAARSCHUWINGEN VOOR ELEKTRISCH GEREEDSCHAP



WAARSCHUWING! Lees alle veiligheidswaarschuwingen en alle instructies. Geef u geen gevolg aan de waarschuwingen en de instructies, dan kan dat een elektrische schok, brand en/of ernstig letsel tot gevolg hebben.

Bewaar alle waarschuwingen en instructies zodat u ze later ook nog kunt raadplegen.

De woorden 'elektrisch gereedschap' zoals gebruikt in de waarschuwingen verwijzen naar uw elektrisch gereedschap dat via de stroomvoorziening (met snoer) of op basis van een accu (draadloos) wordt gebruikt.

- 1) **Veiligheid in de werkruimte**
 - a) **Houd het werkgebied goed schoon en goed verlicht.** Op rommelige of donkere werkplekken zullen gemakkelijk ongelukken gebeuren.
 - b) **Gebruik geen elektrische gereedschappen in explosieve situaties, zoals in de nabijheid van ontvlambare vloeistoffen, gasen of stof.** Elektrische gereedschappen maken vonken die het stof of de gasen kunnen ontsteken.
 - c) **Houd kinderen en omstanders uit de buurt terwijl u het elektrische gereedschap gebruikt.** Door afleidingen kunt u de controle verliezen.

2) Elektrische veiligheid

- a) **Stekkers van elektrisch gereedschap moeten bij de stopcontacten passen. Breng nooit op welke manier dan ook veranderingen in de stekker aan. Gebruik nooit adapterstekkers met (geaard) elektrisch gereedschap.** Originele stekkers en passende stopcontacten verminderen het risico op een elektrische schok.
- b) **Voorkom lichamelijk contact met geaarde oppervlakken, zoals leidingen, radiatoren, fornuizen en koelkasten.** Er is sprake van een verhoogd risico op een elektrische schok als uw lichaam geaard is.
- c) **Stel elektrische gereedschappen niet bloot aan regen of natte omstandigheden.** Als water in het elektrisch gereedschap binnendringt, verhoogt dit de kans op een elektrische schok.
- d) **Het snoer niet oneigenlijk gebruiken. Gebruik het snoer nooit om het elektrische gereedschap te dragen of mee te slepen, of om de stekker uit het stopcontact te trekken. Houd het snoer weg bij hete voorwerpen, olie, scherpe randen en/of bewegende onderdelen.** Beschadigde of in de war geraakte snoeren vergroten het risico van een elektrische schok.
- e) **Als u elektrisch gereedschap buitenshuis gebruikt, dient u altijd een verlengsnoer te gebruiken dat geschikt is voor buitenshuis gebruik.** Het gebruik van een snoer dat geschikt is voor buitenshuis gebruik, zal het risico op een elektrische schok verminderen.
- f) **Als het gebruik van elektrisch gereedschap in een vochtige ruimte niet kan worden voorkomen, gebruik dan een altijd een aardlekschakelaar (RCD).** Het gebruik van een aardlekschakelaar zal het risico op een elektrische schok verminderen.

- 3) Persoonlijke veiligheid**
- a) **Let altijd op en kijk goed uit wat u doet en gebruik uw verstand tijdens het werken met elektrisch gereedschap. Bedien het product niet wanneer u moe of onder invloed van alcohol of drugs bent.** Een ogenblik van onoplettendheid tijdens het werken met elektrische gereedschap kan ernstig persoonlijk letsel tot gevolg hebben.
 - b) **Gebruik persoonlijke beschermingsmiddelen. Draag altijd oogbescherming.** Beschermingsmiddelen zoals een stofmasker, antislip-veiligheidsschoenen, helm, of gehoorbescherming die voor de juiste omstandigheden worden gebruikt, zullen het risico op persoonlijk letsel verminderen.
 - c) **Voorkom het onbedoeld starten. Controleer of de schakelaar in de stand Uit staat, voordat het gereedschap op de voeding of accu wordt aangesloten, wordt opgepakt of gedragen.** Het dragen van elektrische gereedschap met de vinger op de schakelaar, of het inschakelen van elektrisch gereedschap met de schakelaar in de stand Aan, vraagt om ongelukken.
 - d) **Verwijder stelsleutels of steeksleutels voordat u het elektrisch gereedschap inschakelt.** Een moersleutel of andere sleutel die op een draaiend deel van het elektrisch gereedschap blijft zitten, kan persoonlijk letsel tot gevolg hebben.
 - e) **Reik niet buiten uw macht. Blijf altijd stevig en in evenwicht staan.** Hierdoor hebt u in onverwachte situaties een betere controle over het elektrische gereedschap.
 - f) **Draag geschikte kleding. Draag geen losse kleding of sieraden. Houd uw haar, kleding en handschoenen weg bij bewegende onderdelen.** Loszittende kleding, sieraden of lang haar kunnen door bewegende delen worden gegrepen.
 - g) **Als het apparaat wordt geleverd met een aansluiting voor het afzuigen en verzamelen van stof, zorg er dan voor dat deze correct worden aangesloten en gebruikt.** Het gebruik van het afzuigen en verzamelen van stof, kan de aan stof gerelateerde gevaren verminderen.
 - h) **Denk niet dat u wel weet hoe het allemaal werkt, omdat u het gereedschap vaak gebruikt en dat u de veiligheidsbeginselen voor het gebruik van het gereedschap kunt negeren.** Een onbezonnen actie kan in een fractie van een seconde ernstig letsel tot gevolg hebben.
- 4) Gebruik en onderhoud van elektrisch gereedschap**
- a) **Forceer het elektrisch gereedschap niet. Gebruik het juiste elektrisch gereedschap voor uw werkzaamheden.** Het juiste elektrische gereedschap klaart de klus beter en veiliger als deze hiervoor is ontworpen.
 - b) **Gebruik het elektrisch gereedschap niet als de schakelaar het apparaat niet in- en uitschakelt.** Elk elektrisch gereedschap dat niet met de schakelaar kan worden bediend is gevaarlijk en moet worden gerepareerd.
 - c) **Neem de stekker van het elektrische gereedschap uit het stopcontact en/of verwijder de accu voordat enige aanpassingen worden uitgevoerd, accessoires worden vervangen of elektrisch gereedschap wordt opgeborgen.** Dergelijke preventieve veiligheidsmaatregelen verminderen het risico op het onbedoeld starten van het elektrische gereedschap.
 - d) **Berg ongebruikt elektrisch gereedschap buiten bereik van kinderen op en sta niet toe dat mensen die onbekend zijn met het elektrische gereedschap of deze instructies, met het elektrische gereedschap werken.** Elektrische gereedschap kan erg gevaarlijk zijn in de handen van ongetrainde gebruikers.
 - e) **Onderhoud van elektrisch gereedschap. Controleer op scheve of klemmende bewegende onderdelen, kapotte onderdelen en enige andere omstandigheden die de werking van het elektrische gereedschap kunnen beïnvloeden. Als het elektrische gereedschap een beschadiging of storing heeft, dient u het eerst te laten repareren.** Veel ongelukken worden veroorzaakt door slecht onderhouden elektrisch gereedschap.
 - f) **Zorg ervoor dat snij- of zaaggereedschap scherp en schoon blijft.** Op de juiste manier onderhouden snij- of zaaggereedschap met scherpe snijranden hebben minder de neiging om beklemd te raken en zijn gemakkelijker te sturen.
 - g) **Gebruik het elektrische gereedschap, de accessoires, bitjes, enz. volgens deze instructies, rekening houdend met de werkomstandigheden en de uit te voeren werkzaamheden.** Gebruik van het elektrische gereedschap voor andere werkzaamheden dan het bedoelde gebruik, kan een gevaarlijke situatie tot gevolg hebben.

- h) **Houd handgrepen en greepoppervlakken droog, schoon en vrij van olie en vet.**

Gladde handgrepen en greepoppervlakken maken veilig werken en controle over het gereedschap in onverwachte situaties onmogelijk.

5) Onderhoud

- a) **Laat uw elektrisch gereedschap onderhouden door een gekwalificeerde reparateur die uitsluitend identieke vervangende onderdelen gebruikt.** Dit waarborgt dat de veiligheid van het elektrisch gereedschap behouden blijft.

ADDITIONELE VEILIGHEIDSWAARSCHUWINGEN VOOR SLAGMOERSLEUTELS

- Houd het elektrisch gereedschap vast aan de geïsoleerde oppervlakken wanneer u werkzaamheden uitvoert waarbij het bevestigingsmiddel in contact kan komen met verborgen bedrading.** Bevestigingsmiddelen die in contact komen met onder spanning staande bedrading kunnen de metalen delen van het gereedschap onder stroom zetten en de gebruiker een elektrische schok geven.
- Draag gehoorbescherming bij gebruik van de slagfunctie.** Blootstelling aan lawaai kan gehoorverlies veroorzaken.
- Controleer de slagmoersleutel, voorafgaand aan de installatie, nauwkeurig op slijtage, scheuren of beschadigingen.**
- Houd het gereedschap stevig vast.**
- Zet het gereedschap voorafgaand aan het gebruik, op de juiste manier vast.** Het gereedschap produceert een zeer krachtige torsie en als het gereedschap niet stevig vast wordt gehouden tijdens de werking, kan verlies van controle optreden en dat kan persoonlijk letsel tot gevolg hebben.
- Houd uw handen weg bij bewegende onderdelen.**
- Raak de slagmoersleutel, bout, moer of het werkstuk niet direct na de bewerking aan.** Deze kunnen extreem heet zijn en uw huid verbranden.
- Zet het elektrische gereedschap altijd pas neer wanneer het gereedschap volledig tot stilstand is gekomen.** Het gereedschap kan geblokkeerd raken, met als gevolg dat u de controle over het elektrische gereedschap verliest.
- Controleer of u altijd met beide voeten stevig op de grond staat.** Controleer of er niemand onder staat, als u het gereedschap op een hoge positie gebruikt.

10. **Het juiste aanhaalmoment kan afwijken, hetgeen afhankelijk is van het soort of formaat van de bout.** Controleer het aanhaalmoment met een momentsleutel.

- 11 **Controleer of er geen elektrische kabels, waterleidingen, gasleidingen, enz. zijn die een gevaarlijke situatie kunnen opleveren als zij door het gereedschap worden beschadigd.** Gebruik daarvoor geschikte detectoren om te bepalen of er verborgen toevoeringen zijn, of neem contact op met het lokaal openbaar nutsbedrijf voor assistentie.

Elektrische veiligheid



Controleer altijd of de stroomvoorziening overeenkomt met de spanning die wordt vermeld op het typeplaatje.

- Gebruik het apparaat niet als het netsnoer of de stekker van het netsnoer is beschadigd.
- Als het netsnoer van dit elektrisch gereedschap beschadigd is, moet het worden vervangen door een speciaal gemaakt netsnoer dat kan worden verkregen bij de onderhoudsdienst.
- Gebruik alleen verlengkabels die geschikt zijn voor het vermogen van het apparaat met een minimale dikte van 1,5 mm². Als u een verlengkabel op een katrol gebruikt, dient deze te allen tijde volledig afgerold te zijn.

2. TECHNISCHE INFORMATIE

Bedoeld gebruik

Het gereedschap is bedoeld voor het inschroeven en uitdraaien van schroeven en bouten, evenals voor het vastdraaien en losdraaien van moeren, waarbij de technische gegevens worden opgevolgd. Het toepassingsgebied waarin dit gereedschap het meest wordt gebruikt, is de automobiel sector, voor metalen constructies of voor dakwerkzaamheden. Dit apparaat is niet bedoeld voor het boren.

TECHNISCHE SPECIFICATIES

Model Nr.	IW504AC
Spanning	230-240V
Frequentie	50Hz
Beschermingsgraad	Klasse II
Onbelaste snelheid	2300/min
Onbelaste slagfrequentie	0-3000/min
Boorhouder	1/2" square chuck
Max. koppel	600Nm
Gewicht	4,4 kg
Geluidsdrumniveau LPA	88 dB(A) K=3 dB(A)
Geluidsvermogeniveau LWA	99 dB(A), K=3dB(A)
Trillingen	10,32 m/s ² K=1,5 m/s ²

Trillingsniveau

Het trillingsemissieniveau, dat in deze gebruiksaanwijzing wordt vermeld, is gemeten in overeenstemming met een gestandaardiseerde test volgens EN 62841-1 en EN 62841-2-2; deze mag worden gebruikt om twee machines met elkaar te vergelijken en als voorlopige beoordeling van de blootstelling aan trilling bij gebruik van de machine voor de vermelde toepassingen.

- Het gebruik van de machine voor andere toepassingen, of met andere of slecht onderhouden accessoires, kan het blootstellingsniveau aanzienlijk verhogen.
- Wanneer de machine is uitgeschakeld of wanneer deze loopt maar geen werk verricht, kan dit het blootstellingsniveau aanzienlijk reduceren.
- De vibratie-emissie en de geluidsemissies tijdens het gebruik van het elektrisch gereedschap kan afwijken van de verklaarde totale waarde, afhankelijk van de manieren waarop het gereedschap wordt gebruikt.
- Er moeten veiligheidsmaatregelen worden geïdentificeerd om de gebruiker te beschermen, die zijn gebaseerd op een schatting van de blootstelling bij de werkelijke gebruiksomstandigheden (rekeninghoudend met alle delen van de gebruikscyclus, zoals de momenten waarop het gereedschap uitgeschakeld is en wanneer het stand-by staat, naast de tijd dat het in werking is).

Bescherm uzelf tegen de gevolgen van trilling door de machine en de accessoires te onderhouden, uw handen warm te houden en uw werkwijze te organiseren.

BESCHRIJVING

De nummers in de tekst verwijzen naar de schematische voorstellingen op de pagina's 2.

1. Machine
2. Handgreep
3. Voedingskabel
4. Vooruit - Aan/Uit-schakelaar
5. Achteruit - Aan/Uit-schakelaar
6. Metalen behuizing met rubberen afdekking (te gebruiken als extra handgreep)
7. 1/2" (12,7 mm) vierkante gereedschapshouder

3. MONTAGE**Verwijderen en plaatsen van de hulpstukken**

Gebruik uitsluitend 1/2" (12,7 mm) slaghulpstukken. Andere hulpstukken kunnen breken, waardoor een gevaarlijke situatie kan ontstaan. Controleer het hulpstuk vóór gebruik om er zeker van te zijn dat het geen scheuren o.i.d. bevat.

- Schakel het apparaat uit
- Verwijder de slagmoersleutel uit de gereedschapshouder (7), indien aanwezig.
- Klik een nieuwe slagmoersleutel in de gereedschapshouder (7).
- Controleer of de slagmoersleutel op de juiste manier werd bevestigd.
- Om de slagmoersleutel te verwijderen, hoeft u deze alleen maar uit te trekken.

4. BEDIENING**De machine in- en uitschakelen en de draairichting aanpassen (Afb. A)**

De tuimelschakelaar wordt gebruikt voor het activeren van de machine en voor het selecteren van de draairichting.

- Het drukken op de Vooruit - Aan/Uit-schakelaar (4) zal de machine in voorwaartse richting inschakelen, voor het vastdraaien van bouten/ moeren. Door de Vooruit - Aan/Uit-schakelaar (4) los te laten, stopt de machine.

- Het drukken op de Achteruit - Aan/Uit-schakelaar (5) zal de machine in achterwaartse richting inschakelen, voor het losdraaien van bouten/ moeren. Door de Achteruit - Aan/Uit-schakelaar (5) los te laten, stopt de machine.



Leg het apparaat pas neer wanneer deze volledig tot stilstand is gekomen. Leg het apparaat niet op een stoffig oppervlak omdat stofdeeltjes in het mechanisme zouden kunnen doordringen.

Optimaal gebruik

- Als de schroeven/moeren erg vastzitten of verroest zijn, gebruik dan een daarvoor geschikte sleutel om de schroef of moer eerst iets los te draaien.
- Het wordt sterk aangeraden om de slagmoersleutel alleen te gebruiken voor het losdraaien van schroeven/moeren. Als u de slagmoersleutel wilt gebruiken om schroeven en moeren vast te draaien, moet u ook de koppelbegrenzer gebruiken, die voor dit doel werd ontwikkeld. Als de begrenzer niet wordt gebruikt, kan dit de schroefverbinding beschadigen. Een koppelbegrenzer is beschikbaar in gespecialiseerde winkels of bij leveranciers. Voorafgaand aan het vastdraaien, dient de schroef/moer voorzichtig in de schroefdraad ingedraaid te worden.
- Voor specifieke toepassingen, zoals in automotie, is het vereist om bouten/moeren volgens een gespecificeerd aanhaalmoment vast te draaien. Deze specificaties worden door de fabrikant van het voertuig geleverd, bijvoorbeeld in de handleiding. Deze richtlijnen dienen te allen tijde nauwkeurig opgevolgd te worden. De koppel of het aanhaalmoment kan bijvoorbeeld met behulp van een koppelbegrenzer worden ingesteld, of met een momentsleutel (zoals Vonroc TW501XX).

5. ONDERHOUD



Zorg dat de machine niet onder spanning staat wanneer onderhoudswerkzaamheden aan het mechanisme worden uitgevoerd.

Maak de behuizing van het apparaat regelmatig schoon met een zachte doek, bij voorkeur na ieder gebruik. Controleer of de ventilatieopeningen vrij zijn van stof en vuil. Verwijder hardnekkig vuil met

een zachte doek vochtig gemaakt met een zee-popllossing. Gebruik geen oplosmiddelen zoals benzine, alcohol, ammoniak, enzovoorts. Chemicaliën zoals deze kunnen de synthetische componenten beschadigen.

MILIEU



Niet goed functionerende en/of afgedankte elektrische of elektronische apparaten moeten bij de juiste inzamelpunten voor recycling worden aangeboden.

Alleen voor landen in de EG

Gooi geen elektrisch gereedschap bij het huisvuil. Volgens de Europese richtlijnen 2012/19/EC betreffende afgedankte elektrische en elektronische apparatuur en de implementatie hiervan in nationaal recht, moeten elektrische gereedschappen die niet langer gebruikt worden apart ingezameld en weggegooid worden op een milieuvriendelijk manier.

GARANTIE

Producten van VONROC worden op basis van de hoogste kwaliteitsnormen ontwikkeld en zijn gegarandeerd vrij van defecten, zowel voor wat betreft het materiaal als de afwerking, gedurende de door de wet bepaalde periode, startend vanaf de datum van de originele aankoop. Mocht het product gedurende deze periode enige storingen vertonen als gevolg van gebrekking materiaal en/of gebrekking afwerking, dient direct contact met VONROC opgenomen te worden.

De volgende omstandigheden zijn uitgesloten van de garantie:

- Reparatie en/of wijzigingen die door en niet erkend servicecentrum aan de machine werd/ werden aangebracht of waartoe een poging werd ondernomen;
- Normale slijtage;
- Het gereedschap werd misbruikt, verkeerd werd gebruikt en/of onjuist werd onderhouden;
- Niet-originele reserveonderdelen werden gebruikt.

Dit betreft de enige garantie die door de organisatie, impliciet of expliciet, wordt aangeboden. Geen andere garanties, impliciet noch expliciet, die verder strekken dan deze garantie, inclusief

de impliciete garanties inzake de verkoopbaarheid en geschiktheid voor een specifiek doel. In geen geval zal VONROC aansprakelijk zijn voor incidentele schade of gevolgschade. De oplossingen van de dealers zullen beperkt zijn tot de reparatie of het vervangen van niet-conforme eenheden of onderdelen.

Het product en de gebruiksaanwijzing kunnen worden gewijzigd. Specificaties kunnen zonder voorafgaande kennisgeving worden gewijzigd.

1. CONSIGNES DE SÉCURITÉ

Veillez à lire les avertissements de sécurité, les avertissements supplémentaires de sécurité ainsi que toutes les instructions jointes. Le non-respect des avertissements de sécurité et des consignes peut entraîner des décharges électriques, des incendies et/ou de graves blessures. Conservez tous les avertissements et toutes les instructions liées à la sécurité afin de pouvoir vous y référer dans le futur.

Les symboles qui suivent sont utilisés dans la notice ou sur le produit :



Lisez la notice d'utilisation.



Indique un risque de blessure, de décès ou de détérioration de l'outil en cas de non-respect des consignes de la présente notice.



Risque de décharge électrique.



Rotation, vers la gauche/droite.



Machine de classe II - À double isolation - Aucune liaison à la terre n'est nécessaire.



Portez toujours des lunettes de protection!



Portez des protections auditives.



Le produit est conforme aux normes de sécurité en vigueur des directives européennes.

AVERTISSEMENTS DE SÉCURITÉ GÉNÉRALE PROPRES AUX OUTILS ÉLECTRIQUES



AVERTISSEMENT ! *Veillez à lire tous les avertissements sur la sécurité et toutes les instructions. Le non-respect des avertissements et des instructions peut entraîner des décharges électriques, des incendies et/ou de graves blessures.*

Conservez tous les avertissements et toutes les instructions afin de pouvoir vous y référer dans le futur.

Le terme "outil électrique" mentionné dans les avertissements fait référence à vos outils électriques branchés sur secteur (avec câble) ou fonctionnant sur pile ou batterie (sans fil).

1) Sécurité de la zone de travail

- a) **Maintenez la zone de travail propre et bien éclairée.** Les zones sombres ou encombrées sont propices aux accidents.
- b) **N'utilisez pas d'outils électriques dans un environnement présentant des risques d'explosion ou en présence de liquides, gaz ou poussières inflammables.** Les outils électriques créent des étincelles qui peuvent enflammer les poussières et les fumées.
- c) **Maintenez les enfants et les autres personnes éloignés lorsqu'un outil électrique est en marche.** Toute distraction peut vous faire perdre le contrôle de l'outil.

2) Sécurité électrique

- a) **Les prises des outils électriques doivent correspondre à la prise de courant murale. Ne modifiez jamais la prise d'aucune sorte. N'utilisez aucun adaptateur avec des outils électriques reliés à la terre.** L'utilisation de prises d'origine non modifiées et de prises murales appropriées permet de réduire le risque de décharge électrique.
- b) **Évitez tout contact physique avec des surfaces reliées à la terre comme des tuyaux, des radiateurs, des fours et des réfrigérateurs par exemple.** Le risque de décharge électrique augmente lorsque votre corps est relié à la terre.
- c) **N'exposez pas les outils électriques à la pluie, ni à l'humidité.** Le risque de décharge électrique augmente si de l'eau pénètre dans un outil électrique.
- d) **Ne tirez pas sur le cordon d'alimentation. N'utilisez jamais le cordon pour transporter, tirer ou débrancher l'outil électrique. Maintenez le cordon à l'écart de la chaleur, des substances grasses, des bords tranchants ou des pièces mobiles.** Les cordons endommagés ou emmêlés augmentent les risques de décharges électriques.
- e) **Si vous utilisez un outil électrique à l'extérieur, utilisez une rallonge homologuée pour les travaux à l'extérieur.** L'utilisation d'une rallonge électrique homologuée pour les travaux à l'extérieur réduit le risque de décharge électrique.
- f) **Si l'utilisation d'un outil électrique dans un endroit humide est inévitable, utilisez une alimentation électrique protégée par un disjoncteur différentiel à courant résiduel (DDR).** L'utilisation d'un DDR réduit le risque de décharge électrique.

3) Sécurité des personnes

- a) **Restez vigilant, surveillez ce que vous faites et faites preuve de bon sens lorsque vous utilisez un outil électrique. N'utilisez pas d'outils si vous êtes fatigué ou sous l'influence de drogue, d'alcool ou de médicaments.** Tout moment d'inattention pendant l'utilisation d'un outil électrique peut engendrer de graves blessures.
- b) **Portez des équipements de protection individuelle. Veillez à toujours porter une protection oculaire.** Les équipements de protection comme les masques à poussière, les chaussures de sécurité antidérapantes, les casques ou les protections auditives réduisent le risque de blessures s'ils sont utilisés à bon escient.
- c) **Empêchez tout démarrage intempestif. Veillez à ce l'interrupteur soit sur la position Arrêt avant de raccorder l'outil à l'alimentation électrique et/ou au bloc-batterie ou avant de ramasser ou de transporter l'outil.** Le fait de transporter les outils électriques le doigt sur l'interrupteur ou d'alimenter les outils électriques dont l'interrupteur est déjà en position de marche augmente le risque d'accidents.
- d) **Retirez toutes les clés ou pinces de réglage avant de mettre l'outil en marche.** Une clé ou une pince restée fixée sur une pièce rotative de l'outil électrique peut engendrer des blessures.
- e) **Ne vous penchez pas. Gardez les pieds bien ancrés au sol et conservez votre équilibre en permanence.** Cela permet de mieux maîtriser l'outil électrique en cas de situations imprévues.
- f) **Portez des vêtements appropriés. Ne portez aucuns vêtements amples, ni bijoux. Gardez vos cheveux, vos vêtements et vos gants éloignés des pièces mobiles.** Les vêtements amples, les bijoux et les cheveux longs peuvent se trouver pris dans les pièces mobiles.
- g) **Si vous disposez de dispositifs pour le raccordement d'un extracteur de poussière ou d'installations pour la récupération, assurez-vous qu'ils sont correctement raccordés et utilisés.** L'utilisation de dispositifs récupérateurs de poussière peut réduire les risques liés aux poussières.
- h) **Ne pensez pas être familiarisé avec l'outil après l'avoir utilisé à de nombreuses reprises, au point de ne plus rester vigilant et d'en oublier les consignes de sécurité.** Toute action imprudente peut engendrer de graves blessures en une fraction de seconde.

- 4) **Utiliser et entretenir un outil électrique**
- a) **Ne forcez pas sur l'outil. Utilisez le bon outil électrique, adapté pour le travail à réaliser.** Un outil adapté fonctionne mieux, de façon plus sûre et à la cadence pour laquelle il a été conçu.
- b) **N'utilisez pas l'outil électrique si l'interrupteur ne permet plus de le mettre en marche et de l'éteindre.** Tout outil électrique qui ne peut plus être commandé par son interrupteur est dangereux et il doit être réparé.
- c) **Débranchez la prise de courant et/ou retirez le bloc-batterie de l'outil électrique avant d'effectuer tout réglage, de changer un accessoire ou de ranger l'outil électrique.** Ces mesures de sécurité préventives réduisent le risque de démarrage accidentel de l'outil électrique.
- d) **Rangez les outils électriques non utilisés hors de portée des enfants et ne laissez aucune personne ne connaissant pas ces outils ou ces consignes les faire fonctionner.** Les outils électriques peuvent être dangereux entre des mains inexpérimentées.
- e) **Veillez à bien entretenir vos outils électriques. Vérifiez que les pièces mobiles sont alignées correctement et qu'elles ne sont pas coincées. Vérifiez qu'aucune pièce n'est cassée et contrôlez l'absence de toute autre condition qui pourrait nuire au bon fonctionnement de l'outil. En cas de dommage, faites réparer l'outil électrique avant de le réutiliser.** De nombreux accidents sont provoqués par des outils électriques mal entretenus.
- f) **Maintenez les organes de coupe affûtés et propres.** Des organes de coupe bien entretenus et dont le tranchant est affûté sont moins susceptibles de rester coincés et ils sont plus faciles à contrôler.
- g) **Utilisez les outils électriques, les accessoires et les embouts d'outil conformément à ces instructions, en tenant compte des conditions de travail, ainsi que du travail à effectuer.** L'utilisation d'un outil électrique à d'autres fins que celles pour lesquelles il a été prévu peut entraîner des situations dangereuses.
- h) **Gardez les poignées et les surfaces de préhension sèches, propres et sans trace d'huile et de graisse.** Des poignées et des surfaces de préhension glissantes ne permettent pas de manipuler et de contrôler l'outil correctement en cas de situations inattendues.

- 5) **Service**
- a) **Ne faites réviser/réparer votre outil électrique que par un réparateur qualifié qui n'utilise que des pièces détachées d'origine.** Cela permet de garantir la sûreté de l'outil électrique.

AVERTISSEMENTS LIÉS À LA SÉCURITÉ SUPPLÉMENTAIRES PROPRES AUX CLÉS À CHOC

1. **Tenez l'outil par ses surfaces de préhension isolées si vous effectuez une opération lors de laquelle la fixation pourrait entrer en contact avec des fils cachés.** Tout contact d'une fixation avec un fil sous tension peut mettre les parties métalliques exposées de l'outil sous tension et provoquer un choc électrique à l'utilisateur.
2. **Portez des protections auditives pour le perçage à percussion.** L'exposition au bruit peut provoquer la perte de l'ouïe.
3. **Contrôlez soigneusement l'absence d'usure, de fissure ou de dommage sur la douille d'entraînement de l'outil à chocs.**
4. **Tenez l'outil fermement.**
5. **Tenez correctement l'outil avant de l'utiliser.** Cet outil génère un fort couple de sortie et s'il n'est pas correctement maintenu pendant son fonctionnement, vous pouvez en perdre le contrôle et vous blesser.
6. **Gardez vos mains à l'écart des pièces mobiles.**
7. **Ne touchez pas la douille d'entraînement, le boulon, l'écrou ou l'ouvrage immédiatement après l'intervention.** Ils peuvent être extrêmement chauds et vous pourraient vous brûler.
8. **Attendez toujours que l'outil électrique se soit complètement arrêté avant de le poser.** L'outil peut se coincer et entraîner une perte de contrôle.
9. **Veillez à toujours avoir une posture stable.** Veillez à ce que personne ne se trouve au-dessous de vous si vous utilisez l'outil en hauteur.
10. **Le bon couple peut varier en fonction du type et de la taille de l'outil.** Contrôlez le couple à l'aide d'une clé dynamométrique.
11. **Assurez-vous de l'absence de câbles électriques, de conduites d'eau ou de gaz, etc. qui pourraient créer un risque s'ils sont endommagés par l'utilisation de l'outil.** Utilisez des détecteurs adaptés pour contrôler l'existence de conduites/câbles d'alimentation cachés ou contactez vos fournisseurs pour obtenir de l'aide.

Sécurité électrique



Contrôlez toujours que la tension de l'alimentation électrique correspond à la tension mentionnée sur la plaque signalétique.

- N'utilisez pas la machine si son câble ou la prise électriques sont endommagés.
- Si le cordon d'alimentation électrique de cet outil électrique est endommagé, il doit être remplacé par un cordon électrique spécifiquement préparé et fourni par une société de service.
- N'utilisez que des rallonges adaptées à la puissance nominale de la machine et de 1,5 mm² de section minimum. Si vous utilisez une rallonge sur un enrouleur, veillez à complètement dérouler le câble.

2. INFORMATIONS RELATIVES À LA MACHINE

Utilisation prévue

La machine est destinée à serrer et desserrer des vis et des boulons mais aussi des écrous à la condition de respecter les caractéristiques techniques. Les domaines d'utilisation principaux sont le secteur automobile, les constructions métalliques ou encore les travaux de charpente. L'appareil n'est pas destiné à servir de perceuse.

CARACTÉRISTIQUES TECHNIQUES

N° de modèle	IW504AC
Tension	230-240V
Fréquence	50Hz
Classe de protection	Classe II
Régime à vide	2300/min
Cadence d'impact à vide	0-3000/min
Mandrin	1/2" square chuck
Couple maxi	600Nm
Poids	4,4 kg
Niveau de pression sonore LPA	88 dB(A) K=3 dB(A)
Niveau de puissance sonore LWA	99 dB(A), K=3dB(A)
Vibrations	10,32 m/s ² K=1,5 m/s ²

Niveau de vibrations

Le niveau des vibrations émises, indiqué dans cette notice, a été mesuré conformément au test normalisé mentionné dans la norme EN 62841-1 et EN 62841-2-2. Il peut être utilisé pour comparer un outil à un autre ou pour réaliser une estimation préalable de l'exposition aux vibrations pendant l'utilisation de l'outil pour les applications mentionnées.

- L'utilisation de l'outil pour des applications différentes ou avec des accessoires différents ou mal entretenus peut considérablement augmenter le niveau d'exposition.
- Les durées pendant lesquelles l'outil est éteint ou qu'il fonctionne à vide peuvent considérablement réduire le niveau d'exposition.
- En fonction de la manière dont l'outil est utilisé, les vibrations et les émissions sonores réellement émises pendant son utilisation peuvent varier par rapport à la valeur totale déclarée.
- Afin de protéger l'opérateur, il est nécessaire d'identifier des mesures de sécurité basées sur une estimation de l'exposition dans les conditions réelles d'utilisation (en prenant en compte toutes les parties du cycle de fonctionnement, comme les durées pendant lesquelles l'outil est éteint ou qu'il fonctionne à vide, en plus des durées de déclenchement).

Veillez à vous protéger contre les effets des vibrations en entretenant correctement l'outil et ses accessoires, en gardant vos mains au chaud et en adaptant votre rythme de travail.

PRÉSENTATION

Les numéros dans le texte renvoient aux diagrammes des pages 2.

1. Machine
2. Poignée principale
3. Câble électrique
4. Interrupteur Marche/Arrêt pour le sens de rotation avant
5. Interrupteur Marche/Arrêt pour le sens de rotation inverse
6. Boîtier métallique avec couvercle en caoutchouc (à utiliser comme poignée auxiliaire)
7. Mandrin carré 1/2" (12,7 mm)

3. MONTAGE

Retirer et installer les accessoires



N'utilisez que des accessoires 1/2" (12,7 mm) pour outils à chocs. Les autres accessoires peuvent casser et engendrer une situation dangereuse. Inspectez les accessoires avant leur utilisation pour vérifier qu'ils ne sont pas fissurés.

- Éteignez la machine
- Retirez la ouille d'entraînement du mandrin (7), le cas échéant.
- Insérez la nouvelle douille dans le mandrin (7).
- Contrôlez que la douille est correctement fixée.
- Pour retirer la douille, tirez simplement dessus.

4. FONCTIONNEMENT

Allumer et éteindre la machine et régler le sens de rotation (Fig. A)

L'interrupteur à bascule sert à actionner la machine et à choisir le sens de rotation.

- Appuyer sur l'interrupteur Marche/Arrêt pour le sens de rotation avant (4) permet de faire tourner la machine vers l'avant pour serrer les boulons/écrous. Relâcher l'interrupteur Marche/Arrêt pour le sens de rotation avant (4) permet d'arrêter la machine.
- Appuyer sur l'interrupteur Marche/Arrêt pour le sens de rotation inverse (5) permet de faire tourner la machine en sens inverse pour desserrer les boulons/écrous. Relâcher l'interrupteur Marche/Arrêt pour le sens de rotation inverse (5) permet d'arrêter la machine.



Ne reposez l'outil que lorsqu'il est à l'arrêt complet. Ne posez pas l'outil sur une surface poussiéreuse car les particules de poussière pourraient pénétrer à l'intérieur du mécanisme.

Utilisation optimale

- Si les vis/écrous sont très serrés ou rouillés, utilisez d'abord une clé démonte-roue pour les desserrer légèrement.
- Il est fortement conseillé de n'utiliser la visseuse à chocs que pour desserrer les vis/écrous. Si vous souhaitez utiliser la visseuse à chocs pour serrer des vis et des écrous, vous devez

également utiliser un limiteur de couple conçu à cet effet. Si vous ne le faites pas, vous pourriez endommager le raccord vissé. Des limiteurs de couple sont disponibles dans les magasins spécialisés ou auprès de certains fournisseurs. Avant de serrer, insérez soigneusement la vis/écrou dans le filetage.

- Dans le secteur de l'automobile, entre autres, les boulons/écrous doivent être serrés à un couple spécifique. Ce couple est indiqué par le constructeur du véhicule, dans le manuel généralement. Veillez à toujours respecter ces directives avec soin. Il est possible de régler le couple à l'aide d'un limiteur de couple ou d'une clé dynamométrique par exemple (ex Vonroc TW501XX).

5. MAINTENANCE



Avant le montage, mettez toujours la machine hors tension et débranchez la fiche de la prise secteur.

Nettoyez régulièrement le boîtier de la machine à l'aide d'un chiffon doux et de préférence après chaque utilisation. Veillez à ce que les ouvertures de ventilation restent exemptes de poussière et de saletés. Supprimez les taches tenaces à l'aide d'un chiffon doux légèrement humide et d'une solution savonneuse. N'utilisez aucun solvant comme de l'essence, de l'alcool, de l'ammoniaque, etc. car ces produits chimiques peuvent endommager les composants synthétiques.

ENVIRONNEMENT



Les appareils électriques et électroniques défectueux ou en fin de vie doivent être rapportés dans des sites de recyclage appropriés.

Pour les pays de la Communauté Européenne uniquement

Ne jetez pas les outils électriques avec les déchets ménagers. Conformément à la Directive Européenne 2012/19/CE relative à l'élimination des déchets électriques et électroniques et sa transposition dans la législation nationale, les outils électriques inutilisables doivent être collectés séparément et être jetés de façon écologique.

GARANTIE

Les produits VONROC sont développés avec les normes de qualité les plus hautes et ils sont garantis pour être exempts de défaut de pièces et de main d'œuvre pour la durée stipulée par la loi et à compter de la date d'achat initiale. Si, au cours de cette période, le produit devait rencontrer une quelconque panne due à un défaut de pièce ou de main d'œuvre, contactez VONROC directement.

Les conditions suivantes sont exclues de la garantie :

- Réparations ou modifications sur la machine, faites ou tentées par des réparateurs non agréés ;
- Usure normale ;
- Utilisation abusive ou incorrecte ou maintenance incorrecte de l'outil ;
- Utilisation de pièces détachées non d'origine.

Ceci constitue l'unique garantie, explicite ou implicite, proposée par la société. Il n'existe aucune autre garantie, explicite ou implicite, qui puisse dépasser le cadre de la présente garantie, y compris les garanties implicites de qualité marchande et d'adaptation à un usage particulier. En aucun cas, VONROC ne saurait être tenu responsable pour les dommages accidentels ou consécutifs. Les recours des revendeurs sont limités à la réparation ou au remplacement des équipements ou des pièces non conformes.

Le produit et la notice d'utilisation sont sujets à modifications. Les caractéristiques peuvent être modifiées sans notification préalable.

1. INSTRUCCIONES DE SEGURIDAD

Lea las advertencias de seguridad, las advertencias de seguridad adicionales y las instrucciones adjuntas. Si no respeta las advertencias de seguridad y las instrucciones, pueden ocasionarse descargas eléctricas, incendios y/o lesiones graves. Guarde las advertencias de seguridad y las instrucciones para su futura consulta.

En el manual de usuario y en el producto se emplean los siguientes símbolos:



Lea el manual de usuario.



Denota riesgo de lesiones personales, muerte o daños al calefactor en caso de incumplimiento de las instrucciones del presente manual.



Riesgo de descarga eléctrica.



Rotación, izquierda/derecha.



Máquina de clase II - Doble aislamiento - No requiere enchufe de puesta a tierra.



!Use siempre protectores oculares!



Use protectores auditivos.



El producto es conforme a las normas de seguridad aplicables según las directivas europeas.

ADVERTENCIAS GENERALES DE SEGURIDAD PARA HERRAMIENTAS ELÉCTRICAS



ADVERTENCIA. *Lea todas las advertencias de seguridad y todas las instrucciones. Si no respeta las advertencias de seguridad y las instrucciones, pueden ocasionarse descargas eléctricas, incendios y/o lesiones graves.*

Guarde todas las advertencias y las instrucciones para su futura consulta.

El término "herramienta eléctrica" de las advertencias se refiere a la herramienta eléctrica alimentada por la red (con cable) o alimentada a batería (sin cable).

1) Seguridad en el área de trabajo

- a) **Mantenga el área de trabajo limpia y bien iluminada.** Las áreas desordenadas u oscuras favorecen los accidentes.
- b) **No utilice herramientas eléctricas en atmósferas explosivas, como en presencia de líquidos, gases o polvos inflamables.** Las herramientas eléctricas generan chispas que pueden encender el polvo o los humos.
- c) **Mantenga alejados a los niños y a otras personas cuando utilice una herramienta eléctrica.** Las distracciones pueden causar pérdidas de control.

2) Seguridad eléctrica

- a) **Los enchufes de las herramientas eléctricas deben coincidir con la toma de corriente. Nunca modifique el enchufe de ningún modo. No utilice ningún enchufe adaptador con las herramientas eléctricas con toma de tierra (puesta a masa).** Los enchufes no modificados y las tomas de corriente que correspondan reducen el riesgo de descarga eléctrica.
- b) **Evite el contacto del cuerpo con superficies conectadas a tierra o puestas a masa, como tubos, radiadores, cocinas y refrigeradores.** Existe un mayor riesgo de descarga eléctrica si su cuerpo está conectado a tierra o puesto a masa.
- b) **No exponga las herramientas eléctricas a la lluvia ni a la humedad.** Si entra agua en una herramienta eléctrica, aumenta el riesgo de descarga eléctrica.
- d) **No maltrate el cable. No utilice nunca el cable para transportar, tirar o desenchufar la herramienta eléctrica. Mantenga el cable alejado del calor, el aceite, los cantos vivos y las piezas móviles.** Los cables dañados o enredados aumentan el riesgo de descarga eléctrica.
- e) **Cuando utilice una herramienta eléctrica en exteriores, utilice un cable prolongador adecuado para uso en exteriores.** Usar un cable adecuado para exteriores reduce el riesgo de descarga eléctrica.
- f) **Si el uso de una herramienta eléctrica en un entorno húmedo es inevitable, utilice un suministro protegido con un dispositivo diferencial residual (DDR).** El uso de un DDR reduce el riesgo de descarga eléctrica.

3) Seguridad personal

- a) **Esté atento, tenga cuidado con lo que hace y aplique el sentido común cuando utilice una herramienta eléctrica. No utilice herramientas eléctricas si está cansado o bajo el efecto de drogas, alcohol o medicamentos.** Un momento de desatención mientras utiliza las herramientas eléctricas puede causar lesiones personales graves.
- b) **Use equipo de protección individual. Use siempre protectores oculares.** Los equipos de protección, como la máscara antipolvo, el calzado de seguridad antideslizante, el casco o la protección auditiva, utilizados en las condiciones adecuadas, reducen las lesiones personales.
- c) **Evite el arranque involuntario. Compruebe que el interruptor esté en la posición de apagado antes de conectar la herramienta a la fuente de alimentación y/o a la batería, y antes de cogerla o transportarla.** Transportar herramientas eléctricas con el dedo puesto sobre el interruptor o enchufarlas con el interruptor encendido puede causar accidentes.
- d) **Retire cualquier llave de ajuste o llave de tuercas antes de encender la herramienta eléctrica.** Si se deja cualquier tipo de llave puesta en una pieza giratoria de la herramienta eléctrica, pueden producirse lesiones personales.
- e) **No se estire demasiado. Mantenga una posición firme y equilibrada en todo momento.** Así tendrá un mejor control de la herramienta eléctrica en situaciones imprevistas.
- f) **Vístase en modo adecuado. No use prendas sueltas ni joyas. Mantenga el cabello, la ropa y los guantes alejados de las piezas móviles.** La ropa suelta, las joyas o el cabello largo pueden quedar atrapados en las piezas móviles.
- g) **Si se proporcionan dispositivos para la conexión de aparatos de extracción y recogida de polvo, compruebe que estos estén conectados y que se utilicen correctamente.** El uso de aparatos de recogida de polvo puede reducir los riesgos relacionados con el polvo.
- h) **No permita que la familiaridad adquirida con el uso frecuente de las herramientas le haga confiarse e ignorar los principios de seguridad de las herramientas.** Una acción descuidada puede causar lesiones graves en una fracción de segundo.

- 4) Uso y cuidado de la herramienta eléctrica**
- No fuerce la herramienta eléctrica. Utilice la herramienta eléctrica correcta para su aplicación.** Usar la herramienta eléctrica correcta y al ritmo para el que esta ha sido diseñada permite hacer mejor el trabajo y con más seguridad.
 - No utilice la herramienta eléctrica si no se puede encender o apagar con el interruptor.** Cualquier herramienta eléctrica que no pueda ser controlada con el interruptor es peligrosa y debe ser reparada.
 - Desconecte el enchufe de la fuente de alimentación y/o quite la batería de la herramienta eléctrica antes de hacer cualquier ajuste, cambiar los accesorios o guardar la herramienta eléctrica.** Estas medidas de seguridad preventivas reducen el riesgo de que la herramienta eléctrica se ponga en marcha accidentalmente.
 - Guarde las herramientas eléctricas inactivas fuera del alcance de los niños y no permita que las utilicen las personas no familiarizadas con las herramientas eléctricas o con estas instrucciones.** Las herramientas eléctricas son peligrosas en manos de usuarios no capacitados.
 - Efectúe el mantenimiento de las herramientas eléctricas. Compruebe si las piezas móviles están desalineadas o agrietadas, si hay piezas rotas o cualquier otra condición que pueda afectar al funcionamiento de la herramienta. En caso de que la herramienta esté dañada, hágala reparar antes de usarla.** Muchos accidentes son causados por herramientas eléctricas mal mantenidas.
 - Mantenga las herramientas de corte afiladas y limpias.** Las herramientas de corte bien mantenidas y con bordes de corte afilados tienen menos probabilidades de atascarse y son más fáciles de controlar.
 - Utilice la herramienta eléctrica, los accesorios y las brocas, etc., de acuerdo con estas instrucciones, teniendo en cuenta las condiciones de trabajo y el trabajo a realizar.** El uso de la herramienta eléctrica para operaciones diferentes a las previstas puede causar situaciones peligrosas.
 - Mantenga las empuñaduras y las superficies de agarre secas, limpias y libres de aceite y grasa.** Las asas y las superficies de agarre resbaladizas no permiten un manejo y control seguros de la herramienta en situaciones inesperadas.

- 5) Reparaciones**
- Haga reparar su herramienta eléctrica por una persona cualificada, que use solo piezas de repuesto idénticas.** Esto garantiza que se mantenga la seguridad de la herramienta eléctrica.

ADVERTENCIAS DE SEGURIDAD ADICIONALES PARA LLAVES DE IMPACTO

- Sujete la herramienta eléctrica por las superficies de agarre aisladas cuando realice alguna operación durante la cual el elemento de fijación pueda entrar en contacto con cables ocultos.** Si los elementos de fijación entran en contacto con un cable con tensión, pueden exponer las partes metálicas de la herramienta a tensión y ocasionar una descarga eléctrica al operador.
- Póngase protectores auditivos cuando use taladros de impacto.** La exposición al ruido puede causar pérdida auditiva.
- Antes de instalarlo, compruebe que el vaso de impacto no esté desgastado, agrietado o dañado.**
- Sujete la herramienta con firmeza.**
- Apoye la herramienta correctamente antes de utilizarla.** Esta herramienta produce un par de alto rendimiento. Si la herramienta no se apoya correctamente durante su uso, puede producirse una pérdida de control que provoque lesiones personales.
- Mantenga las manos alejadas de las piezas móviles.**
- No toque el vaso de impacto, el tornillo, la tuerca o la pieza de trabajo inmediatamente después de haber terminado el trabajo.** Pueden estar extremadamente calientes y podrían causar quemaduras en su piel.
- Espere siempre a que la herramienta eléctrica se haya detenido por completo antes de dejarla apoyada.** La herramienta de aplicación puede atascarse y hacerle perder el control de la herramienta eléctrica.
- Asegúrese siempre de tener los pies apoyados con firmeza.** Asegúrese de que no haya nadie debajo cuando utilice la herramienta en lugares altos.
- El par de apriete adecuado puede variar en función del tipo o tamaño del perno.** Compruebe el par de apriete con una llave dinamométrica.
- Asegúrese de que no haya cables eléctricos, tuberías de agua, tuberías de gas, etc., que puedan suponer un peligro si se dañan con**

el uso de la herramienta Utilice detectores adecuados para determinar si hay líneas de suministro ocultas o póngase en contacto con la empresa local de servicios públicos para obtener ayuda.

Seguridad eléctrica



Compruebe siempre que la tensión de alimentación coincida con la tensión indicada en la placa de datos.

- No utilice la máquina si el cable de alimentación o la toma de corriente está dañada.
- Si el cable de alimentación de esta herramienta eléctrica se daña, debe ser sustituido por un cable de alimentación especialmente preparado, disponible a través de la organización de servicio.
- Utilice solo cables prolongadores adecuados a la potencia de la máquina, con un grosor mínimo de 1,5 mm². Si utiliza un cable prolongador en carrete, desenrolle siempre todo el cable.

2. INFORMACIÓN DE LA MÁQUINA

Uso previsto

La máquina está destinada a introducir y aflojar tornillos y pernos, así como a apretar y aflojar tuercas respetando los datos técnicos. El entorno principal es el sector de la automoción, la construcción metálica o los trabajos de techado. El dispositivo no ha sido diseñado para taladrar.

ESPECIFICACIONES TÉCNICAS

Modelo n.º	IW504AC
Voltaje	230-240V
Frecuencia	50Hz
Clase de protección	Clase II
Velocidad sin carga	2300/min
Velocidad de impacto sin carga	0-3000/min
Portaherramienta	1/2" square chuck
Par de apriete máx.	600Nm
Peso	4,4 kg
Nivel de presión acústica LPA	88 dB(A) K=3 dB(A)
Nivel de potencia acústica LWA	99 dB(A), K=3dB(A)
Vibración	10,32 m/s ² K=1,5 m/s ²

Nivel de vibración

El nivel de emisión de vibraciones indicado en este manual de instrucciones ha sido medido según una prueba estándar proporcionada EN 62841-1 y EN 62841-2-2; puede utilizarse para comparar una herramienta con otra y como valoración preliminar de la exposición a las vibraciones al utilizar la herramienta para los usos indicados.

- Usar la herramienta para otros trabajos o con accesorios diferentes o escasamente mantenidos, puede aumentar significativamente el nivel de exposición.
- Cuando la herramienta está apagada o cuando está en funcionamiento pero no está realizando ninguna tarea, el nivel de exposición puede reducirse considerablemente.
- La emisión de vibraciones y las emisiones de ruido durante el uso real de la herramienta eléctrica puede diferir del valor total declarado en función de cómo se use la herramienta.
- Es necesario identificar medidas de seguridad para proteger al operador basadas en una estimación de la exposición en las condiciones reales de uso (teniendo en cuenta todas las partes del ciclo de funcionamiento, como el tiempo en que la herramienta está apagada y cuando funciona en vacío, además del tiempo de disparo).

Protéjase contra los efectos de las vibraciones haciendo el mantenimiento a la herramienta y a sus accesorios, manteniendo las manos calientes y organizando sus patrones de trabajo.

DESCRIPCIÓN

Los números del texto se refieren a los diagramas de las páginas 2.

1. Máquina
2. Empuñadura principal
3. Cable de alimentación
4. Interruptor de encendido/apagado de avance
5. Interruptor de encendido/apagado de retroceso
6. Carcasa metálica con cubierta de goma (para ser utilizada como empuñadura auxiliar)
7. Portaherramienta cuadrado de 1/2" (12,7 mm)

3. MONTAJE

Desmontaje y montaje de accesorios



Utilice únicamente accesorios de impacto hexagonales de 1/2" (12,7 mm). EL uso de accesorios que no sean de impacto pueden provocar roturas y situaciones de peligro. Inspeccione el accesorio antes de utilizarlo para garantizar la ausencia de grietas.

- Apague la máquina
- Retire el casquillo del mandril (7), si lo hay.
- Haga clic en la nuevo vaso en el mandril (7).
- Compruebe si el vaso está correctamente conectado
- Para retirar el vaso, basta con tirar de él.

4. FUNCIONAMIENTO

Encendido y apagado de la máquina y ajuste del sentido de giro (Fig. A)

El interruptor basculante sirve para encender la máquina y escoger el sentido de giro.

- Si se pulsa el interruptor de encendido/apagado de avance (4) se enciende la máquina en dirección de avance, para apretar pernos/tuercas. Al soltar el interruptor de encendido/apagado de avance (4) se para la máquina.
- Si se pulsa el interruptor de encendido/apagado de retroceso (5) se enciende la máquina en dirección de retroceso, para aflojar pernos/tuercas. Al soltar el interruptor de encendido/apagado de retroceso (5) se para la máquina.



Apoye la máquina solo cuando se haya detenido completamente. No la coloque sobre superficies polvorientas donde las partículas de polvo puedan entrar en el mecanismo.

Uso óptimo

- Si los tornillos/tuercas están muy apretados o están oxidados, use una llave de neumáticos adecuada para aflojarlos un poco antes.
- Se recomienda encarecidamente usar el destornillador de impacto solo para aflojar tornillos/tuercas. Si desea usar el destornillador de impacto para apretar tornillos y tuercas, debe usar también un limitador de par diseñado para tal fin. En caso contrario, la unión atornillada puede dañarse. Puede comprar el limitador de

par en tiendas especializadas o a proveedores especializados. Antes de apretar, introduzca con cuidado el tornillo/tuerca en las roscas.

- Para trabajos específicos, como, por ejemplo, los de automoción, es necesario apretar los pernos/tuercas con un par de apriete determinado. Por lo general, el fabricante del vehículo indica tales pares de apriete en el manual. Siga siempre atentamente tales indicaciones. El par de apriete puede ajustarse utilizando, por ejemplo, un limitador de par o una llave dinamométrica (p. ej., Vonroc TW501XX).

5. MANTENIMIENTO



Desconecte siempre la máquina de la red eléctrica principal antes de realizar cualquier trabajo de mantenimiento.

Limpie periódicamente la carcasa de la máquina con un paño suave, preferentemente después de cada uso. Asegúrese de que los orificios de ventilación estén libres de polvo y suciedad. Elimine el polvo persistente utilizando un paño suave humedecido con agua y jabón. No use disolventes tales como gasolina, alcohol, amoníaco, etc. Tales productos químicos pueden dañar los componentes sintéticos.

MEDIOAMBIENTE



Los aparatos eléctricos o electrónicos defectuosos y/o desechados deben recogerse en lugares de reciclado apropiado.

Solo para países de la Comunidad Europea

No elimine las herramientas eléctricas como residuos domésticos. De acuerdo con la Directiva europea 2012/19/CE sobre residuos de aparatos eléctricos y electrónicos, y su transposición a las legislaciones nacionales, las herramientas eléctricas que ya no se utilizan deben recogerse por separado y eliminarse en modo ecológico.

GARANTÍA

Los productos VONROC han sido fabricados con los estándares de calidad más elevados y garantizamos que están exentos de defectos relacionados con los materiales y la mano de obra durante el

período legalmente establecido a partir de la fecha de compra original. Si, durante este periodo, el producto presenta algún fallo de los materiales y/o la mano de obra, póngase en contacto directamente con VONROC.

Las siguientes circunstancias están excluidas de esta garantía:

- Si se han realizado o se ha intentado realizar reparaciones o alteraciones en la máquina por parte de centros de servicio no autorizados.
- Desgaste normal.
- La herramienta ha sido usada impropriadamente, mal utilizada o mantenida incorrectamente.
- Si se han utilizado piezas de repuesto no originales.

Esta constituye la única garantía, expresa e implícita, ofrecida por la empresa. No existen otras garantías expresas o implícitas distintas a la especificada en el presente documento, incluidas las garantías implícitas de comerciabilidad y de adecuación a un propósito particular. VONROC no será responsable bajo ninguna circunstancia de ningún daño incidental o consecuente. Los recursos de los distribuidores están limitados a la reparación o sustitución de las unidades o piezas no conformes.

El producto y el manual de usuario están sujetos a variaciones. Las especificaciones pueden variarse sin aviso previo.

1. ISTRUZIONI DI SICUREZZA

Leggere le avvertenze di sicurezza allegate, le avvertenze di sicurezza aggiuntive e le istruzioni contenute in questo manuale. La mancata osservanza delle avvertenze e istruzioni di sicurezza potrebbe dar luogo a scosse elettriche, incendi e/o lesioni personali gravi. Conservare le avvertenze di sicurezza e le istruzioni per riferimenti futuri.

I simboli riportati di seguito vengono utilizzati all'interno del manuale d'uso oppure sono indicati sul prodotto:



Leggere il manuale d'uso.



Denota il rischio di lesioni personali, morte o danni all'utensile in caso di mancata osservanza delle istruzioni contenute in questo manuale.



Rischio di scosse elettriche.



Rotazione, sinistra/destra.



Apparecchio di Classe II - Doppio isolamento - Non è necessario il collegamento a terra.



Indossare sempre occhiali protettivi!



Indossare protezioni per l'udito.



Il prodotto è conforme alle norme di sicurezza applicabili ai sensi delle direttive europee vigenti.

AVVERTENZE DI SICUREZZA GENERALI RIGUARDANTI GLI ELETTROUTENSILI



AVVERTENZA! Leggere tutte le avvertenze di sicurezza e tutte le istruzioni. La mancata osservanza delle avvertenze e istruzioni può dar luogo a scosse elettriche, incendi e/o lesioni gravi.

Conservare tutte le avvertenze e le istruzioni per riferimenti futuri.

Il termine "elettroutensile" che ricorre nelle avvertenze si riferisce a un utensile elettrico alimentato dalla rete (con cavo) o a batteria (senza fili).

1) Sicurezza dell'area di lavoro

- a) **Mantenere l'area di lavoro pulita e ben illuminata.** Gli ambienti disordinati o scarsamente illuminati favoriscono gli incidenti.
- b) **Evitare di usare gli elettrotensili in ambienti esposti al rischio di esplosione, come ad esempio in presenza di liquidi, gas o polveri infiammabili.** Gli elettrotensili generano scintille che possono incendiare polveri o fumi.
- c) **Tenere a distanza bambini e altre persone presenti nelle vicinanze mentre si usa un elettrotensile.** Le distrazioni possono causare la perdita di controllo.

2) Sicurezza elettrica

- a) **Le spine dell'elettrotensile devono essere adatte alla presa di corrente. Non modificare la spina in alcun modo. Non utilizzare spine con adattatore per un elettrotensile dotato di messa a terra.** Per ridurre il rischio di scosse elettriche evitare di modificare le spine e utilizzare sempre le prese di corrente appropriate.
- b) **Evitare il contatto fisico con superfici collegate a terra, come tubi, radiatori, forni e frigoriferi.** Se il corpo dell'utilizzatore è collegato a terra, il rischio di scosse elettriche aumenta.
- c) **Non esporre gli elettrotensili alla pioggia o all'umidità.** Se dovesse penetrare dell'acqua all'interno dell'elettrotensile, il rischio di scosse elettriche aumenta.
- d) **Non utilizzare il cavo di alimentazione in modo improprio. Non spostare, tirare o scollegare mai l'elettrotensile dalla presa di corrente tirandolo dal cavo. Tenere il cavo di alimentazione lontano da fonti di calore, olio, bordi taglienti o parti in movimento.** Se il cavo di alimentazione è danneggiato o impigliato, il rischio di scossa elettrica aumenta.
- e) **Quando l'elettrotensile viene usato all'aperto, utilizzare unicamente prolunghe omologate per l'impiego all'esterno.** L'uso di un cavo idoneo per esterni riduce il rischio di scosse elettriche.
- f) **Se non è possibile evitare di utilizzare un elettrotensile in una zona umida, collegarsi a una rete elettrica protetta da un interruttore differenziale salvavita (RCD).** L'uso di un RCD riduce il rischio di scosse elettriche.

3) Sicurezza personale

- a) **Quando si utilizza un elettrotensile evitare di distrarsi. È importante concentrarsi su quello che si sta facendo e usare il buon senso. Non utilizzare l'elettrotensile quando si è stanchi o sotto l'effetto di stupefacenti, alcool o medicinali.** Un solo attimo di distrazione durante l'uso di un elettrotensile potrebbe provocare gravi lesioni personali.
- b) **Indossare dispositivi di protezione individuale. Indossare sempre occhiali di sicurezza.** L'impiego di dispositivi di protezione individuale, quali mascherine antipolvere, scarpe antinfortunistiche antiscivolo, elmetti di sicurezza o protezioni per l'udito, nelle condizioni opportune, consente di ridurre le lesioni personali.
- c) **Prevenire l'avvio accidentale. Accertarsi che l'interruttore sia nella posizione di spegnimento, prima di collegare l'elettrotensile alla rete elettrica e/o alla batteria, di prenderlo in mano o di trasportarlo.** Per non esporsi al rischio di incidenti, non trasportare l'elettrotensile tenendo le dita sull'interruttore e non collegarlo a una fonte di alimentazione elettrica con l'interruttore in posizione di accensione.
- d) **Prima di accendere l'elettrotensile rimuovere eventuali chiavi o utensili di regolazione.** Un attrezzo di regolazione o una chiave inseriti in una parte rotante dell'elettrotensile possono provocare lesioni personali.
- e) **Non sbilanciarsi. Mantenere sempre un appoggio e un equilibrio adeguati.** In tal modo è possibile mantenere un migliore controllo dell'elettrotensile nelle situazioni impreviste.
- f) **Indossare indumenti adeguati. Non indossare abiti non aderenti o gioielli. Tenere i capelli, gli indumenti e i guanti lontano dalle parti mobili.** Abiti non aderenti, gioielli o capelli lunghi possono impigliarsi nelle parti in movimento.
- g) **Se gli elettrotensili sono provvisti di attacchi per il collegamento di dispositivi di aspirazione o di raccolta delle polveri, assicurarsi che essi siano installati e utilizzati correttamente.** L'impiego di dispositivi di aspirazione delle polveri può ridurre i pericoli legati alle stesse.
- h) **Non lasciare che la dimestichezza acquisita dall'uso frequente induca l'utilizzatore ad assumere comportamenti imprudenti e a ignorare i principi di sicurezza per l'elettrotensile.** Una semplice distrazione può provocare gravi lesioni personali in una frazione di secondo.

- 4) Uso e cura dell'elettrotensile**
- a) **Non forzare l'elettrotensile. Utilizzare l'elettrotensile corretto per il lavoro da svolgere.** L'elettrotensile corretto funziona meglio e in modo più sicuro, se utilizzato alla velocità per cui è stato progettato.
 - b) **Non utilizzare l'elettrotensile se il rispettivo interruttore di accensione/spegnimento non funziona.** Qualsiasi elettrotensile che non possa essere controllato tramite l'interruttore è pericoloso e deve essere riparato.
 - c) **Scollare la spina dalla presa di corrente e/o il pacco batteria dall'elettrotensile prima di effettuare qualsiasi tipo di regolazione, cambiare gli accessori o riporlo.** Queste misure di sicurezza preventive riducono il rischio di azionare accidentalmente l'elettrotensile.
 - d) **Quando non vengono usati, gli elettrotensili devono essere custoditi fuori dalla portata dei bambini. Non consentire l'uso dell'elettrotensile a persone inesperte o che non abbiano letto questo manuale di istruzioni.** Gli elettrotensili sono pericolosi in mano a persone inesperte.
 - e) **Sottoporre gli elettrotensili a regolare manutenzione. Verificare che le parti mobili siano correttamente allineate e non inceppate, che non vi siano componenti rotti e che non sussistano altre condizioni che possono compromettere il funzionamento dell'elettrotensile. Se l'elettrotensile dovesse essere danneggiato, farlo riparare prima dell'uso.** Molti incidenti sono provocati da elettrotensili non sottoposti a una corretta manutenzione.
 - f) **Mantenere affilati e puliti gli utensili da taglio.** La manutenzione corretta degli utensili da taglio con bordi affilati riduce le probabilità di inceppamento e ne facilita il controllo.
 - g) **Utilizzare l'elettrotensile, gli accessori, le punte, ecc. in conformità a queste istruzioni, tenendo conto delle condizioni operative e del lavoro da eseguire.** L'utilizzo dell'elettrotensile per impieghi diversi da quelli previsti può provocare situazioni di pericolo.
 - h) **Mantenere le impugnature e le superfici di presa asciutte, pulite e libere da olio e grasso.** Impugnature e superfici di presa scivolose non consentono di maneggiare e controllare in sicurezza l'elettrotensile in situazioni impreviste.

- 5) Assistenza**
- a) **L'assistenza per l'elettrotensile deve essere prestata da un tecnico qualificato che utilizzi soltanto ricambi originali.** In questo modo viene garantita la sicurezza dell'elettrotensile.

AVVERTENZE DI SICUREZZA AGGIUNTIVE RIGUARDANTI GLI AVVITATORI A IMPULSI

1. **Quando si eseguono operazioni in cui il dispositivo di fissaggio potrebbe venire a contatto con fili elettrici nascosti, afferrarlo esclusivamente dalle superfici di presa isolate.** Gli avvitatori che vengono a contatto con un cavo sotto tensione trasmettono la corrente elettrica anche alle parti metalliche esposte dell'elettrotensile con il pericolo di provocare la folgorazione dell'operatore.
2. **Quando si eseguono perforazioni a percussione indossare protezioni per l'udito.** L'esposizione al rumore può provocare la perdita dell'udito.
3. **Prima dell'installazione, controllare attentamente che la bussola per avvitatori a impulsi non sia usurata, incrinata o danneggiata.**
4. **Tenere saldamente l'elettrotensile.**
5. **Prima dell'uso sostenere l'elettrotensile in modo adeguato.** Questo elettrotensile produce una coppia di uscita elevata e se non viene sorretto correttamente durante l'uso potrebbe provocare lesioni personali.
6. **Tenere le mani lontano dalle parti rotanti.**
7. **Non toccare la bussola, il bullone, il dado o il pezzo in lavorazione subito dopo l'uso dell'avvitatore.** Potrebbero essere roventi e ustionare la pelle.
8. **Attendere sempre che l'elettrotensile si sia arrestato completamente prima di appoggiarlo.** L'utensile di applicazione potrebbe incepparsi facendo perdere il controllo dell'avvitatore.
9. **Assicurarsi sempre di stare in piedi su una base solida.** Accertarsi che nessuno si trovi sotto di sé quando si utilizza l'elettrotensile in posizioni elevate.
10. **La coppia di serraggio corretta può variare a seconda del tipo o delle dimensioni della vite.** Verificare la coppia di serraggio, utilizzando una chiave dinamometrica.
11. **Assicurarsi che non siano presenti cavi elettrici, tubature dell'acqua, tubature del gas, ecc. che potrebbero causare un pericolo se danneggiati dall'uso dell'elettrotensile.** Utilizzare appositi rilevatori per individuare l'eventuale presenza di cavi o tubazioni nascosti

o contattare la società fornitrice di acqua, luce e gas locale per richiedere assistenza.

Sicurezza elettrica



Verificare sempre che la tensione di alimentazione corrisponda alla tensione sulla targhetta dei valori nominali.

- Non usare l'elettrotensile se il cavo di alimentazione o la spina sono danneggiati o difettosi.
- Se il cavo di alimentazione di questo elettrotensile risulta danneggiato, deve essere sostituito con un cavo di alimentazione appositamente predisposto disponibile tramite la ditta di assistenza.
- Utilizzare solo cavi di prolunga adatti per la potenza nominale dell'apparecchio, che abbiano uno spessore minimo di 1,5 mm². Se si utilizza un cavo di prolunga con avvolgicavo, srotolare sempre il cavo completamente.

2. INFORMAZIONI RELATIVE ALL'ELETTROUTENSILE

Uso previsto

Questo prodotto è destinato all'inserimento e allentamento di viti e bulloni, oltre che al serraggio e allentamento di dadi, nel rispetto dei dati tecnici. Le applicazioni principali sono il settore automobilistico, la realizzazione di strutture metalliche e i lavori di copertura. Questo apparecchio non è destinato all'esecuzione di fori.

DATI TECNICI

Modello n.°	IW504AC
Tensione	230-240V
Frequenza	50Hz
Classe di protezione	Classe II
Velocità a vuoto	2300/min
Frequenza di battuta a vuoto	0-3000/min
Mandrino	1/2" square chuck
Coppia max.	600Nm
Peso	4,4 kg
Livello di pressione sonora LPA	88 dB(A) K=3 dB(A)
Livello di potenza sonora LWA	99 dB(A), K=3dB(A)
Vibrazione	10,32 m/s ² K=1,5 m/s ²

Livello di emissione di vibrazioni

Il livello di emissione di vibrazioni indicato in questo manuale d'uso è stato misurato in base al test standardizzato previsto dalla normativa EN 62841-1 e EN 62841-2-2; può essere utilizzato per confrontare vari apparecchi fra loro e come valutazione preliminare dell'esposizione alle vibrazioni quando si utilizza l'elettrotensile per le applicazioni menzionate.

- L'uso dell'elettrotensile per applicazioni o con accessori diversi o in condizioni di scarsa manutenzione potrebbe aumentare notevolmente il livello di esposizione alle vibrazioni.
- I momenti in cui l'utensile è spento oppure è in funzione ma non viene effettivamente utilizzato per il lavoro, possono contribuire a ridurre il livello di esposizione.
- L'emissione di vibrazioni e l'emissione di rumore durante l'uso effettivo dell'elettrotensile può differire dal valore totale dichiarato a seconda delle modalità di utilizzo dell'apparato
- Necessità di individuare misure di sicurezza a tutela dell'operatore che si basino su una stima dell'esposizione nelle condizioni reali di utilizzo (tenendo conto di tutte le parti del ciclo operativo, quali i tempi di spegnimento dell'elettrotensile e di funzionamento a vuoto in aggiunta al tempo di attivazione).

Protegersi contro gli effetti delle vibrazioni sottoponendo l'utensile e i relativi accessori a regolare manutenzione, evitare il raffreddamento delle mani, organizzare opportunamente i turni di lavoro.

DESCRIZIONE

I numeri che compaiono nel testo si riferiscono alle figure riportate alle pagine 2.

1. Corpo macchina
2. Impugnatura principale
3. Cavo di alimentazione
4. Interruttore di accensione/spegnimento della marcia avanti
5. Interruttore di accensione/spegnimento della retromarcia
6. Custodia in metallo con copertura in gomma (da utilizzare come maniglia ausiliaria)
7. Mandrino da 1/2" (12,7 mm) con attacco quadro

3. ASSEMBLAGGIO

Installazione e rimozione degli accessori



Utilizzare solo accessori per avvitatori a impulsi con attacco da 1/2" (12,7 mm). Accessori non destinati all'uso con gli avvitatori a impulsi potrebbero rompersi e dare luogo a condizioni pericolose. Ispezionare l'accessorio prima dell'uso per assicurarsi che non presenti crepe.

- Spegnerne l'elettrotensile
- Rimuovere la bussola dal mandrino (5), se presente.
- Installare a scatto la nuova bussola sul mandrino (5).
- Controllare che la bussola sia montata correttamente.
- Per rimuovere la bussola è sufficiente estrarla dal mandrino.

4. UTILIZZO

Accensione e spegnimento della macchina e regolazione del senso di rotazione (Fig. A)

L'interruttore basculante serve per azionare la macchina e per scegliere il senso di rotazione.

- Premendo l'interruttore di accensione/spegnimento della marcia avanti (4) si attiverà la macchina in direzione avanti, per il serraggio di bulloni/dadi. Rilasciando l'interruttore di accensione/spegnimento (4) l'elettrotensile si arresta.
- Premendo l'interruttore di accensione/spegnimento della retromarcia (5) si attiverà la macchina nella direzione inversa, per allentare i bulloni/dadi. Rilasciando l'interruttore di accensione/spegnimento (5) l'elettrotensile si arresta.



Appoggiare l'elettrotensile solamente quando si è arrestato completamente. Non collocarlo su una superficie impolverata in quanto le particelle di polvere potrebbero entrare nel meccanismo.

Utilizzo ottimale

- Se le viti/dadi sono molto serrati o se sono arrugginiti, utilizzare prima una chiave per pneumatici appropriata per allentarli leggermente.
- Si consiglia vivamente di utilizzare l'avvitatore a impulsi solo per allentare viti/dadi. Se si desidera

utilizzare l'avvitatore a impulsi per serrare viti e dadi, è necessario utilizzare anche un limitatore di coppia progettato per questo scopo. In caso contrario, il collegamento a vite potrebbe essere danneggiato. Il limitatore di coppia è disponibile presso negozi o fornitori specializzati. Prima di serrare, inserire con cautela la vite/dado nelle filettature.

- Per applicazioni specifiche come ad esempio il settore automobilistico, è necessario serrare i bulloni/dadi a una determinata specifica di coppia. Esse sono fornite dal produttore del veicolo, ad esempio nel manuale. Segui sempre queste indicazioni con attenzione. La coppia può essere impostata utilizzando ad esempio un limitatore di coppia o una chiave dinamometrica (es. Vonroc TW501XX).

5. MANUTENZIONE



Prima di eseguire qualsiasi intervento di manutenzione scollegare sempre la macchina dalla presa di corrente.

Pulire regolarmente la parte esterna del corpo macchina con un panno morbido, preferibilmente dopo ogni uso. Assicurarsi che le aperture di ventilazione siano libere da polvere e sporcizia.

Rimuovere lo sporco particolarmente ostinato con un panno morbido inumidito con acqua e sapone. Non utilizzare solventi come benzina, alcol, ammoniacca, ecc. Le sostanze chimiche di questo tipo danneggiano i componenti sintetici.

PROTEZIONE DELL'AMBIENTE



Le apparecchiature elettriche o elettroniche difettose e/o scartate devono essere conferite presso gli opportuni siti di riciclaggio.

Solo per i Paesi UE

Non smaltire gli elettrotensili insieme ai rifiuti domestici. Secondo la Direttiva europea 2012/19/UE sui rifiuti delle apparecchiature elettriche ed elettroniche e la relativa implementazione nelle normative locali, gli elettrotensili ormai inutilizzabili devono essere raccolti separatamente e smaltiti nel rispetto dell'ambiente.

GARANZIA

I prodotti VONROC sono sviluppati secondo gli standard di qualità più elevati e sono garantiti esenti da difetti, sia per quanto riguarda i materiali che la lavorazione, per il periodo stabilito per legge a decorrere dalla data di acquisto iniziale. Se durante questo periodo il prodotto dovesse presentare dei difetti di materiali e/o di lavorazione, contattare direttamente VONROC.

Le seguenti circostanze sono escluse dalla garanzia:

- esecuzione o tentativo di esecuzione di riparazioni o modifiche alla macchina da parte di personale di centri di assistenza non autorizzati;
- usura normale;
- maltrattamento, uso in maniera impropria o manutenzione inadeguata dell'apparecchio;
- impiego di ricambi non originali.

La presente costituisce l'unica garanzia espressa o implicita fornita dall'azienda. Non sono concesse altre garanzie, né espresse né implicite, oltre a quelle descritte in questo documento, comprese le garanzie implicite di commerciabilità e idoneità per uno scopo particolare. In nessun caso VONROC sarà ritenuta responsabile di alcun danno incidentale o consequenziale. I rimedi offerti dai rivenditori si limiteranno alla riparazione o alla sostituzione delle unità o dei componenti non conformi.

Il prodotto e il manuale d'uso sono soggetti a modifiche. I dati tecnici possono essere modificati senza ulteriore notifica.

1. SÄKERHETSANVISNINGAR

Läs de medföljande säkerhetsvarningarna, de kompletterande säkerhetsvarningarna och anvisningarna. Underlåtenhet att följa säkerhetsvarningarna och anvisningarna kan orsaka elstöt, brand och/eller allvarlig skada. Spara säkerhetsvarningarna och anvisningarna som framtida referensmaterial.

Följande symboler används i användarhandboken eller på produkten:



Läs användarhandboken.



Anger risk för personskada, dödsfall eller skada på verktyget om anvisningarna i denna handbok inte följs.



Risk för elstöt.



Rotation, vänster/höger.



Klass II-maskin - dubbel isolering - du behöver ingen jordad kontakt.



Använd skyddsglasögon.



Använd hörselskydd.



Produkten uppfyller gällande säkerhetsnormer i EU-direktiven.

ALLMÄNNA SÄKERHETSFÖRESKRIFTER FÖR ELVERKTYG



VARNING! Läs alla säkerhetsvarningar och alla anvisningar. Underlåtenhet att följa varningar och instruktioner kan resultera i elstötar, brand och/eller allvarliga skador.

Spara alla varningar och instruktioner för framtida referens.

Uttrycket "elverktyg" i varningarna avser ditt nätanslutna (med sladd) verktyg eller batteridrivna (sladdlösa) elektriska verktyg.

1) Arbetsplats säkerhet

- a) **Håll arbetsplatsen ren och välbelyst.** Belamrade eller mörka områden inbjuder till olyckor.
- b) **Använd inte elektriska verktyg i explosiva atmosfärer, såsom i närvaro av lättantändliga**

- vätskor, gaser eller damm.** Elverktyg skapar gnistor som kan antända damm eller ångor.
- c) **Håll barn och åskådare borta medan du arbetar med ett elverktyg.** Om du blir distraherad kan du tappa kontrollen.
- 2) Elsäkerhet**
- a) **Verktygets elkontakt måste passa till väggtuttaget. Ändra inte kontakten på något sätt. Använd inte adapterkontakter med jordade elverktyg.** Omodifierade kontakter och matchande uttag minskar risken för elektrisk stöt.
- b) **Undvik kroppskontakt med jordade ytor såsom rör, värmeelement, spisar och kylskåp.** Det finns en ökad risk för elektrisk stöt om din kropp är jordansluten eller jordad.
- c) **Utsätt inte elektriska verktyg för regn eller väta.** Vatten som tränger in i ett elverktyg ökar risken för elstötar.
- d) **Hantera inte elkabeln felaktigt. Använd aldrig sladden för att bära, dra eller koppla bort elverktuget från uttaget. Håll sladden borta från värme, olja, vassa kanter eller rörliga delar.** Skadade eller tilltrasslade sladdar ökar risken för elektrisk stöt.
- e) **När du arbetar med ett elverktyg utomhus, använd en förlängningssladd som passar för utomhusanvändning.** Användning av en sladd som passar för utomhusanvändning minskar risken för elektrisk stöt.
- f) **Om arbete med ett elverktyg i en fuktig lokal är oundvikligt, använd ett uttag som är skyddat med jordfelsbrytare (RCD).** Användning av jordfelsbrytare minskar risken för elstötar.
- 3) Personlig säkerhet**
- a) **Var uppmärksam, kontrollera vad du gör och använd sunt förnuft när du arbetar med ett elektriskt verktyg. Använd inte ett elverktyg när du är trött eller påverkad av droger, alkohol eller mediciner.** Ett ögonblicks ouppmärksamhet under arbetet kan resultera i allvarliga personskador.
- b) **Använd personlig skyddsutrustning. Bär alltid ögonskydd.** Skyddsutrustning såsom dammfilterskydd, halssäkra säkerhetsskor, skyddshjälm eller hörselskydd som används för lämpliga förhållanden minskar personskador.
- c) **Förebygg oavsiktlig igångsättning. Se till att strömbrytaren är i avstängd position innan anslutning till strömkällan och/eller batteriet, verktyget lyfts upp eller bärs.** Om du bär elverktyg med ditt finger på strömbrytaren eller ansluter ett påkopplat elverktyg till nätströmmen kan en olycka inträffa.
- d) **Avlägsna eventuell justeringsnyckel eller skiftnyckel innan du sätter på elverktuget.** En skiftnyckel eller en nyckel som sitter kvar på en roterande del av elverktuget kan resultera i personskada.
- e) **Böj dig inte för långt. Bibehåll alltid ordentligt fotfäste och balans.** Detta möjliggör bättre kontroll av elverktuget i oväntade situationer.
- f) **Bär lämpliga kläder. Använd inte vida kläder eller smycken. Håll hår, kläder och handskar borta från rörliga delar.** Lösa kläder, smycken eller långt hår kan fastna i rörliga delar.
- g) **Om enheten är försedd med anslutning av dammsug och uppsamlingsmöjlighet, se till att dessa är anslutna och används korrekt.** Dammupptagning minskar dammrelaterade risker.
- h) **Låt inte erfarenheten som uppnås vid frekvent användning av verktyg låta dig bli för självsäker och ignorera verktygsäkerhetsprinciperna.** En oförsiktig handling kan orsaka allvarliga skador under bråkdelen av en sekund.
- 4) Användning och skötsel av elverktyg**
- a) **Bruka inte våld när du använder elverktuget. Använd rätt slags elektriska verktyg för ditt arbete.** Rätt elverktyg gör arbetet bättre och säkrare vid den hastighet som det har konstruerats för.
- b) **Använd inte elverktuget om strömbrytaren inte sätter på och stänger av det.** Ett elverktyg som inte kan kontrolleras med strömbrytaren är farligt och måste repareras.
- c) **Dra ur kontakten från strömkällan och/eller batteriet från elverktuget innan du gör några justeringar, byter tillbehör eller lägger undan elverktuget för förvaring.** Sådana förebyggande säkerhetsåtgärder minskar risken för att elverktuget startar oavsiktligt.
- d) **Förvara elverktyg oåtkomliga för barn och låt inte personer som är obekanta med verktyget eller dessa instruktioner använda verktyget.** Elektriska verktyg är farliga i händerna på oerfarna användare.
- e) **Underhåll av elektriska verktyg. Kontrollera för feljustering eller om rörliga delar har fastnat, bristning hos delar och andra eventuella förhållanden som kan komma att påverka elverktugets funktion. Om det är skadat, se till att elverktuget blir reparerat före användning.**

Många olyckor orsakas av dåligt underhållna elektriska verktyg.

- f) **Håll kapverktyg vassa och rena.** Korrekt underhållna kapverktyg med vassa kanter är mindre troliga att kärva och lättare att kontrollera.
- g) **Använd elverktyget, dess tillbehör och verktyg i enlighet med dessa instruktioner och under beaktande av arbetsförhållandena och det arbete som ska utföras.** Användning av elverktyget för andra uppgifter än vad som avsetts kan resultera i farliga situationer.
- h) **Se till att handtagen är torra, rena och fria från olja och fett.** Håll handtag och greppytor tillåter inte säker hantering och kontroll av verktyget i oönskade situationer.

5) Service

- a) **Se till att ditt elverktyg får service av en kvalificerad reparatör, som endast använder identiska ersättningsdelar.** Detta säkerställer att elverktygets säkerhet upprätthålls.

KOMPLETTERANDE SÄKERHETSVARNINGAR FÖR SLAGBORRAR

- Håll elverktyget i de isolerade greppytorna när du utför arbete där fästelementet kan komma i kontakt med dolda ledningar.** Fästelement som kommer i kontakt med en strömförande ledning kan orsaka att elverktygets synliga metalldelar blir strömförande och ger användaren en elstöt.
- Bär hörselskydd vid slagborrning.** Exponering för buller kan orsaka hörselnedsättning.
- Kontrollera slaghylsan noggrant för slitage, sprickor eller skador innan installation.**
- Håll verktyget stadigt.**
- Spänn fast verktyget ordentligt innan användning.** Detta verktyg producerar ett starkt utmatat vridmoment och utan korrekt fastsättning av verktyget under arbetet kan kontrollen förloras vilket kan resultera i allvarliga personskador.
- Håll händerna borta från rörliga delar.**
- Rör inte slaghylsan, bulten, muttern eller arbetsstycket omedelbart efter drift.** De kan vara extremt varma och kan bränna din hud.
- Vänta alltid till maskinen stannat helt innan den läggs ned.** Applikationsverktyget kan fastna och få dig att tappa kontrollen över elverktyget.
- Se alltid till att du har ett stadigt fotfäste.** Se till att ingen är under när du använder verktyget på höga platser.

10. Det korrekta åtdragningsmomentet kan skilja sig beroende på typ eller storlek på bulten.

Kontrollera vridmomentet med en momentnyckel.

- 11 **Se till att det inte finns några elektriska kablar, gasrör etc. som kan orsaka risk om de skadas av verktyget.** Använd lämpliga detektorer för att avgöra om det finns dolda matningsledningar eller kontakta det lokala elföretaget för hjälp.

Elsäkerhet



Kontrollera alltid så att spänningen på nätet motsvarar den spänning som finns angiven på märkplåten.

- Använd inte maskinen om nätkabeln eller nätkontakten är skadad.
- Om strömsladden är skadad måste den bytas ut mot en speciellt preparerad strömsladd som finns att få genom serviceorganisationen.
- Använd endast förlängningskablar som är lämpliga för maskinens effekt med en minsta tjocklek på 1,5 mm². Om du använder en kabelvinda, rulla alltid ut kabeln helt.

2. MASKININFORMATION

Avsedd användning

Maskinen är avsedd för att köra in och lossa skruvar och bultar samt för att dra åt och lossa muttrar med beaktande av tekniska data. Miljön är huvudsakligen inom fordonssektorn, för metallkonstruktioner eller takarbeten. Enheten är inte avsedd för borring.

TEKNISKA SPECIFIKATIONER

Modellnr.	IW504AC
Spänning	230-240V
Frekvens	50Hz
Skyddsklass	Klass II
Varvtal utan belastning	2300/min
Ingen belastningsslagfrekvens	0-3000/min
Chuck	1/2" square chuck
Max. vridmoment	600Nm
Vikt	4,4 kg
Ljudtrycknivå LPA	88 dB(A) K=3 dB(A)
Ljudeffektnivå LWA	99 dB(A), K=3dB(A)
Vibration	10,32 m/s ² K=1,5 m/s ²

Vibrationsnivå

Vibrationsutsläppsnivån som anges i denna bruksanvisning har uppmätts i enlighet med ett standardiserat test i EN 62841-1 och 62841-2-2, som kan användas för att jämföra verktyg med varandra och som en preliminär bedömning av exponering för vibrationer när du använder verktyget för angivna arbeten.

- Användning av verktyget för andra tillämpningar, eller med olika eller dåligt underhållna tillbehör kan avsevärt öka exponeringsnivån.
- De gånger då verktyget stängs av eller är på men egentligen inte används kan minska exponeringsnivån betydligt.
- Vibrationsutsläppet och bullerutsläppet under faktisk användning av elverktyget kan skilja sig från det deklarerade totala värdet beroende på hur verktyget används
- Behovet att identifiera säkerhetsåtgärder för att skydda operatören baserat på en uppskattning av exponeringen under de faktiska användningsförhållandena (bedömningen ska även ta hänsyn till alla moment i arbetscykeln, t.ex. när verktyget är avstängt och när det går på tomgång såväl som när det faktiskt används).

Skydda dig mot effekterna av vibrationer genom att underhålla verktyget och dess tillbehör, hålla händerna varma och organisera ditt arbetsmönster.

BESKRIVNING

Siffrorna i texten hänvisar till diagrammen på sidorna 2.

- Maskin
- Huvudhandtag
- Strömkabel
- Framåt på/av-knapp
- Bakåt på/av-knapp
- Metallhölje med gummikåpa (att användas som hjälphandtag)
- 1/2" fyrkantchuck (12,7 mm)

3. MONTERING

Demontering och montering av tillbehör



Använd endast 1/2 tum (12,7 mm) sexkants slagtilbehör. Icke-slagtilbehör kan gå sönder och orsaka en allvarlig situation. Inspektera tillbehören innan användning för att garantera att de inte har några sprickor.

- Stäng av maskinen
- Ta bort hylsan från chucken (7), om det finns en.
- Klicka på den nya hylsan på chucken (7).
- Kontrollera om hylsan är ordentligt fastsatt.
- För att ta bort hylsan, dra helt enkelt av den.

4. DRIFT

Slå på och av maskinen och justera rotationsriktningen (fig. A)

Vippströmställaren används för att aktivera maskinen och för att välja rotationsriktning.

- Genom att trycka på knappen Framåt på/av (4) aktiveras maskinen framåt, för åtdragning av bultar/muttrar. Om du frigör Framåt på/av-knappen (4) stoppas maskinen.
- Genom att trycka på Bakåt på/av-knappen (5) aktiveras maskinen i omvänd riktning, för att lossa bultar/muttrar. Om du frigör Bakåt på/av-knappen (5) stoppas maskinen.



Lägg endast ifrån dig maskinen när den helt har slutat köra. Placera inte den på dammiga ytor eftersom dammpartiklar kan tränga in i mekanismen.

Optimal användning

- Om skruvarna/muttrarna är mycket åtdragna eller om de är rostiga, använd en lämplig däcknyckel för att lossa dem en aning först.
- Det rekommenderas starkt att endast använda slagskruvdragaren för att lossa skruvar/muttrar. Om du vill använda slagskruvdragaren för att dra åt skruvar och muttrar måste du även använda en momentbegränsare som är avsedd för detta ändamål. Om inte kan skruvförbandet vara skadat. En vridmomentbegränsare finns att köpa hos specialiserade butiker eller leverantörer. Sätt skruven/muttern försiktigt i gängorna innan du drar åt.
- För specifika applikationer som t.ex. bilsektorn krävs det att bultar/muttrar dras åt till en vridmomentsspecifikation. Dessa tillhandahålls av fordonstillverkaren, till exempel i manualen. Följ alltid dessa anvisningar noggrant. Vridmomentet kan ställas in med hjälp av till exempel en momentbegränsare eller en momenttryckel (t.ex. Vonroc TW501XX).

5. UNDERHÅLL



Innan rengöring och underhåll ska du alltid stänga av maskinen och dra ut nätkontakten ur vägguttaget.

Rengör maskinens hus regelbundet med en mjuk trasa, helst efter varje gång du använder maskinen. Se till att ventilationsöppningarna är fria från damm och smuts. Ta bort mycket ihållande smuts med en mjuk trasa fuktad med tvållösning. Använd inte lösningsmedel som bensin, alkohol, ammoniak osv. Sådana kemikalier skadar de syntetiska komponenterna.

MILJÖ



Felaktig och/eller kasserad elektrisk eller elektronisk utrustning måste lämnas in på lämpliga återvinningsstationer.

Endast för EU-länder

Kassera inte elverktyg i hushållsavfall. Enligt den europeiska riktlinjen 2012/19/EG om kasserad elektrisk och elektronisk utrustning och dess tillämpning i nationell rätt måste elverktyg som inte längre är användbara samlas in separat och kasseras på ett miljövänligt sätt.

GARANTI

VONROC-produkter är utvecklade enligt högsta kvalitetsstandard och garanteras fria från defekter i både material och utförande under den period som lagen föreskriver från och med inköpsdatumet. Om produkten skulle utveckla fel under denna period på grund av defekt material och/eller utförande, kontakta då VONROC direkt.

Följande omständigheter är undantagna från denna garanti:

- Reparationer och/eller ändringar har gjorts eller försökts utföras på maskinen av obehöriga servicecenter;
- Normalt slitage;
- Verkyget har missbrukats, använts på fel sätt eller underhållits felaktigt;
- Reservdelar som inte är original har använts.

Detta utgör den enda garantin som företaget ger antingen uttryckt eller underförstått. Det finns inga

andra garantier uttryckta eller underförstådda som sträcker sig bortom detta, inklusive de underförstådda garantierna för säljbarhet och lämplighet för ett visst syfte. Under inga omständigheter ska VONROC hållas ansvarigt för indirekta skador eller följdskador. Återförsäljarnas åtgärder ska begränsas till reparation eller byte av enheter eller delar som inte uppfyller kraven.

Produkten och användarhandboken kan ändras. Specifikationerna kan ändras utan förvarning.

1. SIKKERHEDSANVISNINGER

Læs de vedlagte sikkerhedsadvarsler, de yderligere sikkerhedsadvarsler og vejledningen. Hvis sikkerhedsadvarslerne og vejledningen ikke følges, kan det resultere i elektrisk stød, brand og/eller alvorlige personskader. Gem sikkerhedsadvarslerne og vejledningen til fremtidig brug.

Følgende symboler anvendes i brugervejledningen eller på produktet:



Læs brugervejledningen.



Angiver risiko for personskade, dødsfald eller beskadigelse af værktøjet i tilfælde af manglende overholdelse af anvisningerne i denne vejledning.



Risiko for elektrisk stød.



Rotation, venstre/højre.



Klasse II-maskine - Dobbeltisoleret - Du har ikke brug for et jordstik.



Brug beskyttelsesbriller.



Brug høreværn.



Produktet er i overensstemmelse med de gældende sikkerhedsstandarder i EU-direktiverne.

GENERELLE SIKKERHEDSADVARSLER FOR ELVÆRKTØJ



ADVARSEL! Læs alle sikkerhedsadvarsler og alle anvisninger. Hvis advarslerne og vejledningen ikke følges, kan det resultere i elektrisk stød, brand og/eller alvorlige personskader.

Gem alle advarsler og instruktioner til fremtidig brug. Udtrykket "el-værktøj" i advarslerne refererer til dit el-værktøj (med ledning) eller dit batteridrevne (ledningsfri) el-værktøj.

1) Sikkerhed på arbejdsområdet

- Hold arbejdsområdet rent og godt oplyst.** Der er risiko for ulykker på rodede eller mørke områder.
- Brug ikke el-værktøj i eksplosive atmosfærer,**

f.eks. i nærheden af brandfarlige væsker, gasser eller støv. El-værktøj danner gnister, der kan antænde støv eller dampe.

- Hold børn og tilskuere væk, mens du bruger et el-værktøj.** Distractioner kan få dig til at miste kontrollen.

2) El-sikkerhed

- Stik på el-værktøj skal passe til stikkontakten. Stikket må aldrig modificeres på nogen måde. Brug ikke adapterstik med jordforbundne (jordede) el-værktøj.** Umodificerede stik og tilsvarende stikkontakter reducerer risikoen for elektrisk stød.
- Undgå kropskontakt med jordede overflader, såsom rør, radiatorer, områder og køleskabe.** Der er en øget risiko for elektrisk stød, hvis din krop er jordet.
- El-værktøjer må ikke udsættes for regn eller våde omgivelser.** Vand, der trænger ind i et el-værktøj, vil øge risikoen for elektrisk stød.
- Misbrug ikke ledningen. Brug ikke ledningen til at bære, trække eller frakoble el-værktøjet. Hold ledningen væk fra varme, olie, skarpe kanter eller dele i bevægelse.** Beskadigede eller sammenfildrede ledninger øger risikoen for elektrisk stød.
- Når du betjener et el-værktøj udendørs, skal du bruge en forlængerledning, der er velegnet til udendørs brug.** Brug af en ledning, der er velegnet til udendørs brug, reducerer risikoen for elektrisk stød.
- Hvis det ikke kan undgås at bruge et maskinværktøj i et fugtigt miljø, bør du anvende en forsyning, der er beskyttet af en fejlstrømsafbryder (RCD).** Brugen af en RCD reducerer risikoen for elektrisk stød.

3) Personlig sikkerhed

- Vær opmærksom, se hvad du laver, og brug din sunde fornuft, når du bruger et el-værktøj. Brug ikke et el-værktøj, når du er træt eller påvirket af stoffer, alkohol eller medicin.** Et øjebliklig uopmærksomhed under brug af el-værktøj kan resultere i alvorlig personskade.
- Brug personligt sikkerhedsudstyr. Bær altid øjenvern.** Beskyttelsesudstyr såsom støvmaske, skridsikre sikkerhedssko, hjelm eller høreværn, der bruges til passende forhold, reducerer personskader.
- Undgå utilsigtet start. Sørg for, at kontakten er**

slukket, før du tilslutter strømkilden og/eller batteripakken, tager maskinen op eller bærer værktøjet. Hvis el-værktøj bæres med fingeren på kontakten, eller når el-værktøj strømføres med tændt kontakt, kan der nemt ske ulykker.

- d) **Fjern en eventuel justeringsnøgle eller skruenøgle, inden du tænder for el-værktøjet.** En skruenøgle eller en justeringsnøgle, der er fastgjort til en roterende del af el-værktøjet, kan resultere i personskade.
 - e) **Ræk dig ikke for langt. Hold altid et korrekt fodfæste og balancen.** Dette giver bedre kontrol over el-værktøjet i uventede situationer.
 - f) **Klæd dig korrekt. Bær ikke løst tøj eller smykker. Hold dit hår, tøj og handsker væk fra bevægelige dele.** Løst tøj, smykker eller langt hår kan sætte sig fast i bevægelige dele.
 - g) **Hvis der leveres enheder til tilslutning af støvudsugnings- og opsamlingsfaciliteter, skal du sikre, at disse er tilsluttet og bliver brugt korrekt.** Brug af støvopsamling kan reducere støvrelaterede farer.
 - h) **Lad ikke kendskab opnået gennem hyppig brug af værktøj lade dig blive tilbagelænet og ignorere værktøjssikkerhedsprincipper.** En skødesløs handling kan forårsage alvorlig personskade inden for en brøkdæl af et sekund.
- 4) Brug og pleje af el-værktøj**
- a) **Tving ikke el-værktøjet. Brug det korrekte el-værktøj til din opgave.** Det korrekte el-værktøj vil gøre et bedre stykke arbejde og vil være mere sikkert ved den hastighed, det var beregnet til.
 - b) **Brug ikke el-værktøjet, hvis kontakten ikke tænder og slukker.** Ethvert el-værktøj, der ikke kan styres med kontakten, er farligt og skal repareres.
 - c) **Tag stikket ud af strømkilden og/eller fjern batteripakken fra el-værktøjet, før du foretager justeringer, skifter tilbehør eller opbevarer el-værktøj.** Disse forebyggende sikkerhedsforanstaltninger reducerer risikoen for at tænde el-værktøjet ved et uheld.
 - d) **Opbevar inaktivt el-værktøj uden for børns rækkevidde, og lad ikke personer, der ikke har kendskab til el-værktøjet eller disse instruktioner, betjene værktøjet.** El-værktøjer er farlige i hænderne på utrænede brugere.
 - e) **Vedligehold el-værktøjer. Se efter forkert justering eller binding af bevægelige dele, ødelagte**

dele og enhver anden tilstand, der kan påvirke el-værktøjets drift. Hvis det er beskadiget, bør du få el-værktøjet repareret før brug. Mange ulykker forårsages af dårligt vedligeholdt el-værktøj.

- f) **Hold skæreværktøj skarpt og rent.** Korrekt vedligeholdt skæreværktøjer med skarpe skærekanter har mindre tilbøjelighed til at binde og er lettere at styre.
 - g) **Brug el-værktøj, tilbehør og værktøjsbor osv. i overensstemmelse med disse instruktioner under hensyntagen til arbejdsforholdene og det arbejde, der skal udføres.** Brug af el-værktøjet til andet arbejde end det tilsigtede kan resultere i en farlig situation.
 - h) **Hold håndtag og gribeblader tørre, rene og fri fra olie og fedtstof.** Glatte håndtag og gribeblader giver ikke mulighed for sikker håndtering og kontrol af værktøjet i uventede situationer.
- 5) Service**
- a) **Lad dit el-værktøj blive servicert af en kvalificeret reparatør, der kun bruger identiske reservedele.** Dette sikrer, at maskinværktøjet fortsat er sikkert at bruge.

YDERLIGERE SIKKERHEDSADVARSLER FOR SLAGNØGLER

1. **Hold fast rundt om el-værktøjet på de isolerede gribeblader, når der bliver udført arbejde, hvor fastgørelsesenheden muligvis kan komme i kontakt med skjulte ledninger.** Hvis fastgørelseselementer kommer i kontakt med en strømført ledning, kan det gøre maskinværktøjets eksponerede metaldele strømførte og dermed give operatøren stød.
2. **Bær høreværn ved slagboring.** Hvis du udsættes for støj, kan det forårsage høretab.
3. **Se slagtoppen grundigt efter for slid, revner eller skader inden installation.**
4. **Hold godt fast i værktøjet.**
5. **Støt værktøjet korrekt inden brug.** Værktøjet skaber et moment med høj effekt og uden korrekt støtte af værktøjet under betjening kan der forekomme tab af kontrol, hvilket resulterer i personskade.
6. **Hold hænderne væk fra roterende dele.**
7. **Rør ikke ved slagtoppen, bolten, møtrikken eller arbejdsemnet øjeblikkeligt efter brug.** De kan være ekstremt varme og kan give dig forbrændinger i huden.

8. **Vent altid, til elværktøjet er standset helt, inden du lægger det ned.** Applikationsværktøjet kan sætte sig fast og få dig til at miste kontrollen over elværktøjet.
9. **Sørg altid for at have et solidt fodfæste.** Sørg for, at der ikke er nogen nedenunder, når du bruger værktøjet på høje steder.
10. **Det korrekte fastgørelsesmoment kan variere alt efter boltens type eller størrelse.** Kontroller momentet med en momentnøgle.
- 11 **Sørg for, at der ikke er elektriske kabler, vand-rør, gasrør osv., der kan forårsage en fare, hvis de bliver beskadiget under brug af værktøjet.** Brug velegnede detektorer til at finde ud af, om der er skjulte forsyningsledninger, eller kontakt det lokale forsyningselskab for at få hjælp.

El-sikkerhed



Kontroller altid, at strømforsyningsens spænding stemmer overens med spændingen på ydelsesskiltet.

- Brug ikke maskinen, hvis netledningen eller netstikket er beskadiget.
- Hvis forsyningsledningen til dette elværktøj er beskadiget, skal den udskiftes med en specielt forberedt forsyningsledning, som kan fås via serviceafdelingen.
- Brug kun forlængerledninger, der er velegnede til maskinens effekt med en minimumstykkelse på 1,5 mm². Hvis du bruger en forlængerkabel-rulle, skal du altid rulle kablet helt ud.

2. MASKINOPLYSNINGER

Tilslaget brug

Maskinen er beregnet til at skrue skruer og bolte i og løsne dem samt til at stramme og løsne møtrikker under overholdelse af de tekniske data. Hovedformålsmiljøet er i bilindustrien, til metal-konstruktion eller tagarbejde. Enheden er ikke beregnet til boring.

TEKNISKE SPECIFIKATIONER

Model nr.	IW504AC
Spænding	230-240V
Frekvens	50Hz
Beskyttelsesklasse	Klasse II
Hastighed uden belastning	2300/min
Slaghastighed uden belastning	0-3000/min
Spændepatron	1/2" square chuck
Maks. moment	600Nm
Vægt	4,4 kg
Lydtrykniveau LPA	88 dB(A) K=3 dB(A)
Lydeffektniveau LWA	99 dB(A), K=3dB(A)
Vibration	10,32 m/s ² K=1,5 m/s ²

Vibrationsniveau

Det udsendte vibrationsniveau, der er angivet i denne brugsvejledning, er blevet målt i overensstemmelse med en standardiseret test i henhold til EN 62841-1 og EN 62841-2-2. Den kan bruges til at sammenligne et værktøj med et andet og som en indledende vurdering af eksponering for vibration, når værktøjet bruges til de nævnte anvendelser.

- Når værktøjet bruges til forskellige anvendelser, eller med forskelligt eller dårligt vedligeholdet tilbehør, kan eksponeringsniveauet øges betydeligt.
- De gange, hvor værktøjet er slukket, eller når det er tændt, men ikke bruges til opgaven på det pågældende tidspunkt, kan det reducere eksponeringsniveauet betydeligt.
- Vibrationsemissionen og Støjemissionen under den reelle brug af el-værktøjet kan afvige fra den erklærede samlede værdi afhængigt af de måder, værktøjet bruges på
- For at identificere sikkerhedsforanstaltninger for at beskytte operatøren, der er baseret på en evaluering af eksponeringen under de faktiske anvendelsesbetingelser (hvor der bliver taget højde for alle procedurer under driftscyklussen, f.eks. de tidspunkter, hvor værktøjet er slukket, og når det kører i tomgang ud over udløsertiden).

Beskyt dig mod vibrationseffekterne ved at vedligeholde værktøjet og dets tilbehør, holde dine hænder varme og organisere dine arbejdsmønstre.

BESKRIVELSE

Tallene i teksten henviser til diagrammerne på side 2.

1. Maskine
2. Hovedhåndtag
3. Strømkabel
4. Fremad tænd/sluk-kontakt
5. Tilbage tænd/sluk-kontakt
6. Metalhus med gummidæksel (anvendes som hjælpehåndtag)
7. 1/2" (12,7 mm) firkantet patron

Af- og påmontering af tilbehør



Brug kun 1/2" (12,7 mm) slagtilbehør. Ikke-slagtilbehør kan gå i stykker og forårsage en farlig tilstand. Inspicer tilbehør inden brug for at sikre, at det ikke har revner.

- Sluk for maskinen
- Fjern slagtoppen fra patronen (7), hvis der er en.
- Klik den nye top på patronen (7).
- Kontroller, om toppen sidder godt fast.
- For at fjerne toppen skal du bare trække den af.

4. BETJENING

Sådan tænder og slukker du for maskinen og justerer rotationsretningen (fig. A)

Vippekontakten bruges til at aktivere maskinen og til at vælge rotationsretningen.

- Når du trykker på fremad tænd/sluk-kontakten (4), aktiveres maskinen i den fremadgående retning til spænding af bolte/møtrikker. Når du slipper fremad tænd/sluk-kontakten (4), standser maskinen.
- Hvis du trykker på tilbage tænd/sluk-kontakten (5), aktiveres maskinen i den tilbagegående retning til løsning af bolte/møtrikker. Når tilbage tænd/sluk-kontakten (5) slippes, standser maskinen.



Læg først maskinen fra dig, når den er standset helt. Læg den ikke på en støvet overflade, da der kan komme støvpartikler ind i mekanismen.

Optimal brug

- Hvis skrueerne/møtrikkerne er meget stramme, eller hvis de er rustne, skal du bruge en passende hjulnøgle til at løse dem først.
- Det anbefales kraftigt kun at bruge slagskrue-trækkeren til at løsne skrue/møtrikker. Hvis du vil bruge slagskrue-trækkeren til at spænde skrue og møtrikker, skal du også bruge en momentbegrænser, som er beregnet til dette formål. Hvis ikke, kan skrueforbindelsen blive beskadiget. Du kan købe en momentbegrænser hos specialforretninger eller forhandlere. Inden tilspænding skal du indsætte skruen/møtrikken forsigtigt i gevindene.
- Ved specifikke anvendelser, som f.eks. i bil-sektoren, skal bolte/møtrikker spændes til en momentspecifikation. Disse forsynes af køretøjsforhandleren, f.eks. i vejledningen. Følg altid disse anvisninger omhyggeligt. Momentet kan indstilles ved f.eks. at bruge en momentbegrænser eller en momentnøgle (f.eks. Vonroc TW501XX).

5. VEDLIGEHOLDELSE



Inden rengøring og vedligeholdelse skal maskinen altid slukkes, og netstikket skal tages ud af stikkontakten.

Rengør maskinbeklædningerne regelmæssigt med en blød klud, helst efter hver anvendelse. Sørg for, at der ikke er støv eller snavs i åbningerne. Fjern snavs, der sidder meget godt fast, med en blød klud, der er fugtet i sæbevand. Brug ikke opløsningsmidler, som f.eks. benzin, sprit, ammoniak osv. Kemikalier som disse beskadiger de syntetiske komponenter.

MILJØ



Defekte og/eller bortsuffede elektriske og elektroniske apparater skal afleveres på en passende genbrugsstation.

Kun for lande i EU

Maskinværktøj må ikke bortsuffes sammen med husholdningsaffald. Ifølge EC-direktiv 2012/19/EU om affald af elektrisk og elektronisk udstyr og dets gennemførelse i den nationale lovgivning skal maskinværktøjer, der ikke længere anvendes, afleveres separat og bortsuffes på en miljøvenlig måde.

GARANTI

VONROC-produkter er udviklet til de højeste kvalitetsstandarder og er garanteret fri for defekter i både materialer og udførelse i den periode, der er retsligt angivet fra datoen for det originale køb. Hvis produktet skulle udvikle fejl i denne periode på grund af defekt materiale og/eller udførelse, bedes du kontakte VONROC direkte.

Følgende omstændigheder er udelukket fra denne garanti:

- Uautoriserede servicecentre har foretaget eller gjort forsøg på at foretage reparationer og/eller ændringer på maskinen;
- Normal slitage;
- Værktøjet er blevet misbrugt, brugt forkert eller ikke passende vedligeholdt;
- Der er anvendt ikke-originale reservedele.

Dette udgør den eneste garanti, virksomheden har givet, enten udtrykt eller underforstået. Der er ingen andre garantier, udtrykt eller underforstået, som strækker sig ud over denne, herunder de underforståede garantier for salgbarhed og egnethed til et bestemt formål. Under ingen omstændigheder skal VONROC holdes ansvarlig for tilfældige skader eller følgeskader. Forhandlerens retsmidler skal være begrænset til reparation eller udskiftning af enheder eller dele, der ikke overholder kravene.

Produktet og brugervejledningen er genstand for ændringer. Specifikationer kan ændres uden yderligere varsel.

1. INSTRUKCJE DOTYCZĄCE BEZPIECZENSTWA

Przeczytać dołączone ostrzeżenia dotyczące bezpieczeństwa, dodatkowe ostrzeżenia dotyczące bezpieczeństwa oraz instrukcję. Nieprzestrzeganie ostrzeżeń dotyczących bezpieczeństwa oraz instrukcji może prowadzić do porażenia prądem, pożaru i/lub poważnych obrażeń ciała. Zachować ostrzeżenia dotyczące bezpieczeństwa oraz instrukcje na przyszłość.

Następujące symbole są umieszczone w instrukcji obsługi lub na produkcie:



Przeczytać instrukcję obsługi.



Oznacza ryzyko obrażeń ciała, śmierci lub uszkodzenia narzędzia w razie nieprzestrzegania poleceń z instrukcji.



Ryzyko porażenia prądem.



Obroty, w lewo/prawo.



Urządzenie klasy II - Podwójna izolacja - Nie trzeba stosować wtyczek z uziemieniem.



Zawsze nosić okulary ochronne!



Nosić ochronniki słuchu.



Produkt spełnia wymogi odpowiednich norm bezpieczeństwa podanych w dyrektywach UE.

OGÓLNE OSTRZEŻENIA DOTYCZĄCE BEZPIECZENSTWA ELEKTRONARZĘDZI



OSTRZEŻENIE! Przeczytać wszystkie ostrzeżenia dotyczące bezpieczeństwa i wszystkie instrukcje. Nieprzestrzeganie ostrzeżeń oraz instrukcji może prowadzić do porażenia prądem, pożaru i/lub poważnych obrażeń ciała.

Zachować ostrzeżenia oraz instrukcje na przyszłość.

Określenie „elektronarzędzie” w ostrzeżeniach odnosi się do elektronarzędzia zasilanego z sieci (przewodowego) lub elektronarzędzia zasilanego z akumulatora (beprzewodowego).

1) Bezpieczeństwo miejsca pracy

- a) **Utrzymywać miejsce pracy w czystości i dobrze oświetlone.** Bałagan i ciemności w miejscu pracy prowadzą do wypadków.
- b) **Nie używać elektronarzędzi w atmosferze wybuchowej, np. w obecności łatwopalnych cieczy, gazów lub pyłu.** Elektronarzędzia wytwarzają iskry, które mogą spowodować zapłon pyłu lub oparów.
- c) **Podczas korzystania z elektronarzędzia nie pozwalać zbliżać się dzieciom i osobom postronnym.** Odwrócenie uwagi może spowodować utratę panowania nad narzędziem.

2) Bezpieczeństwo elektryczne

- a) **Wtyczka elektronarzędzia musi pasować do gniazdka. Nigdy w żaden sposób nie modyfikować wtyczki. Nie używać żadnych przejściówek do wtyczek w połączeniu z uziemionymi elektronarzędziami.** Niemodyfikowane wtyczki i pasujące do nich gniazdka zmniejszają ryzyko porażenia prądem.
- b) **Unikać dotykania uziemionych powierzchni, jak rury, grzejniki, kuchenki i lodówki.** Jeśli ciało jest uziemione, ryzyko porażenia prądem jest zwiększone.
- c) **Nie narażać elektronarzędzi na deszcz, wodę lub wilgoć.** Przedostanie się wody do wnętrza elektronarzędzia zwiększy ryzyko porażenia prądem.
- d) **Ostrożnie obchodzić się z kablem. Nigdy nie używać kabla do przenoszenia, ciągnięcia lub odłączania elektronarzędzia od gniazdka. Trzymać kabel z dala od gorąca, oleju, ostrych krawędzi i ruchomych części.** Uszkodzone lub splątane kable zwiększają ryzyko porażenia prądem.
- e) **Podczas użytkowania elektronarzędzia na wolnym powietrzu używać przedłużacza przeznaczonego do użytku na wolnym powietrzu.** Używanie przedłużacza przeznaczonego do użytku na wolnym powietrzu zmniejsza ryzyko porażenia prądem.
- f) **Jeśli obsługa elektronarzędzia w wilgotnym miejscu jest nieunikniona, użyć zasilania wyposażonego w wyłącznik różnicowoprądowy.** Użycie wyłącznika różnicowoprądowego zmniejsza ryzyko porażenia prądem.

3) Bezpieczeństwo osobiste

- a) **Zachować czujność, uważać na to, co się robi, a także stosować zdrowy rozsądek podczas korzystania z elektronarzędzia. Nie używać narzędzia, gdy jest się zmęczonym lub pod wpływem leków,**

alkoholu albo środków odurzających. Chwila nieuwagi podczas obsługi elektronarzędzia może prowadzić do poważnych obrażeń ciała.

- b) **Stosować środki ochrony osobistej. Zawsze nosić okulary ochronne.** Wyposażenie ochronne, jak maska przeciwpyłowa, antypoślizgowe bezpieczne obuwie, kask lub ochronniki słuchu, używane w odpowiednich warunkach ogranicza występowanie obrażeń ciała.
 - c) **Unikać niezamierzonego uruchomienia. Dopilnować, aby włącznik znajdował się w położeniu wyłączonym przed podłączeniem elektronarzędzia do źródła zasilania i/lub akumulatora, jego podniesieniem lub przeniesieniem.** Przenoszenie elektronarzędzi z palcem na włączniku lub podłączenie do zasilania elektronarzędzi z włącznikiem w położeniu włączenia jest bardzo niebezpieczne i może powodować wypadki.
 - d) **Usunąć wszelkie klucze lub inne narzędzia do regulacji przed włączeniem elektronarzędzia.** Klucz lub inne narzędzie pozostawione podłączone do obracającej się części narzędzia może prowadzić do obrażeń ciała.
 - e) **Nie sięgać za daleko. Zawsze utrzymywać właściwe podparcie dla stóp i równowagę.** Pozwala to na lepsze panowanie nad elektronarzędziem w nieoczekiwanych sytuacjach.
 - f) **Nosić odpowiednią odzież. Nie nosić luźnych ubrań ani biżuterii. Nie zbliżać włosów, odzieży i rękawic do ruchomych części.** Luźna odzież, biżuteria lub długie włosy mogą zostać pochwycone przez ruchome części.
 - g) **Jeśli urządzenie jest wyposażone w złącze do podłączania do urządzeń do gromadzenia i odsysania pyłu, koniecznie je podłączyć i używać ich prawidłowo.** Gromadzenie pyłu pozwala na ograniczanie zagrożeń związanych z pyłem.
 - h) **Nie zezwalać na to, aby rutyna związana z częstym korzystaniem z narzędzi powodowała nadmierną pewność siebie i ignorowanie zasad bezpiecznego korzystania z narzędzi.** Nieodpowiedzialne działanie może spowodować poważne obrażenia ciała w ułamku sekundy.
- ### 4) Użytkowanie i pielęgnacja elektronarzędzia
- a) **Nie przeciążać elektronarzędzia. Używać narzędzia przystosowanego do określonego zastosowania.** Właściwe elektronarzędzie wykona pracę lepiej i bezpieczniej z szybkością, do jakiej jest przeznaczone.
 - b) **Nie używać elektronarzędzia, jeśli jego włącznik nie pozwala na jego włączanie i wyłączanie.**

Elektronarzędzie, którego nie można włączać i wyłączać włącznikiem jest niebezpieczne i musi zostać naprawione.

- c) **Odłączyć wtyczkę od źródła zasilania i/lub odłączyć akumulator od elektronarzędzia przed rozpoczęciem przeprowadzania jakichkolwiek regulacji, wymianą akcesoriów lub rozpoczęciem przechowywania elektronarzędzia.** Takie środki zapobiegawcze ograniczają ryzyko przypadkowego uruchomienia elektronarzędzia.
 - d) **Przechowywać nieużywane elektronarzędzia w miejscu niedostępnym dla dzieci i nie pozwalać osobom niezaznajomionym z elektronarzędziem lub tą instrukcją na obsługę elektronarzędzia.** Elektronarzędzia są niebezpieczne w rękach nieprzeszkolonych użytkowników.
 - e) **Prawidłowo konserwować elektronarzędzia. Sprawdzać elektronarzędzie pod kątem niedopasowania lub utykania części ruchomych, pęknięcia części lub innych okoliczności, które mogą negatywnie wpływać na jego działanie. W razie uszkodzenia oddać elektronarzędzie do naprawy przed ponownym użyciem.** Wiele wypadków jest spowodowanych słabo konserwowanymi elektronarzędziami.
 - f) **Utrzymywać narzędzia tnące naostrzone i czyste.** Właściwie konserwowane narzędzia tnące z ostrymi krawędziami tnącymi są mniej narażone na utykanie i łatwiej nad nimi zapanować.
 - g) **Używać elektronarzędzia, akcesoriów i końcówek narzędziowych itp. zgodnie z tą instrukcją, uwzględniając warunki pracy i zadanie do wykonania.** Wykorzystanie elektronarzędzia do zadań niezgodnych z jego przeznaczeniem może prowadzić do niebezpieczeństwa.
 - h) **Uchwyty należy utrzymywać w stanie suchym, czystym i niezabrudzonym olejem lub smarem.** Śliszkie uchwyty i powierzchnie do chwytania nie pozwalają na bezpieczne obchodzenie się z narzędziem i panowanie nad nim w nieoczekiwanych sytuacjach.
- 5) **Serwis**
- a) **Zlecać serwisowanie elektronarzędzia wykwalifikowanemu technikowi stosującemu jedynie części zamienne identyczne z oryginalnymi.** Zapewni to zachowanie bezpieczeństwa elektronarzędzia.

DODATKOWE OSTRZEŻENIA DOTYCZĄCE BEZPIECZEŃSTWA DLA KLUCZY UDAROWYCH

1. **Trzymać elektronarzędzie tylko za izolowane powierzchnie do chwytania podczas wykonywania prac, podczas których element złączny może zetknąć się z ukrytym okablowaniem.**
Zetknięcie się elementu złącznego z przewodem pod napięciem może sprawić, że odsonięte metalowe części narzędzia również będą pod napięciem i spowodować porażenie operatora prądem.
2. **Nosić ochronniki słuchu podczas wiercenia udarowego.** Ekspozycja na hałas może powodować utratę słuchu.
3. **Sprawdzić nasadkę udarową pod względem zużycia, pęknięć lub innych uszkodzeń przed instalacją.**
4. **Mocno trzymać narzędzie.**
5. **Odpowiednio chwycić narzędzie przed użyciem.**
To narzędzie generuje wysoki moment obrotowy i bez jego prawidłowego trzymania podczas pracy może dojść do utraty panowania nad narzędziem, co może prowadzić do obrażeń ciała.
6. **Dłonie trzymać z dala od części obracających się.**
7. **Nie dotykać nasadki udarowej, śruby, nakrętki lub elementu obrabianego zaraz po zakończeniu pracy.** Te elementy mogą być bardzo gorące i spowodować poparzenie skóry.
8. **Przed odłożeniem elektronarzędzia zawsze poczekać na jego całkowite zatrzymanie.** Element służący do instalacji elementu złącznego może się zaciąć i spowodować utratę panowania nad elektronarzędziem.
9. **Zawsze stać w pewnej i stabilnej pozycji.**
W przypadku pracy na wysokości dopilnować, aby poniżej miejsca pracy nikt się nie znajdował.
10. **Właściwy moment obrotowy dokręcania może różnić się w zależności od typu lub wielkości śruby.** Sprawdzić moment obrotowy kluczem dynamometrycznym.
11. **Dopilnować, aby w miejscu pracy nie występowyły kable elektryczne, rury z wodą, rury z gazem itp., które mogłyby spowodować zagrożenie w przypadku uszkodzenia przez używane narzędzie.** Użyć odpowiednich wykrywaczy w celu stwierdzenia, czy w miejscu instalacji nie występują ukryte przewody zasilające itp. lub skontaktować się z lokalną spółką dostarczającą media w celu uzyskania pomocy.

Bezpieczeństwo elektryczne



Zawsze sprawdzać, czy napięcie źródła zasilania jest zgodne z napięciem podanym na tabliczce znamionowej.

- Nie używać urządzenia, jeśli jego kabel zasilający jest uszkodzony lub wtyczka kabla zasilającego jest uszkodzona.
- Jeśli kabel zasilania tego elektronarzędzia ulegnie uszkodzeniu, musi zostać wymieniony na specjalny kabel zasilania dostępny w serwisie.
- Używać wyłącznie przedłużaczy przystosowanych do pracy z parametrami zasilania urządzenia o minimalnej grubości 1,5 mm². W przypadku korzystania z przedłużacza w zwoju, zawsze całkowicie rozwinąć zwój.

2. INFORMACJE O URZĄDZENIU

Przeznaczenie

Narzędzie jest przeznaczone do wkręcania i wykręcania wkrętów i śrub oraz dokręcania i odkręcania nakrętek zgodnie z parametrami technicznymi. Głównym środowiskiem pracy, do którego przeznaczone jest narzędzie, jest branża motoryzacyjna, praca z konstrukcjami metalowymi i pokryciami dachowymi. To urządzenie nie jest przeznaczone do wiercenia.

DANE TECHNICZNE

Nr modelu	IW504AC
Napięcie	230-240V
Częstotliwość	50Hz
Klasa ochrony	Klasa II
Obroty bez obciążenia	2300/min
Szybkość udaru bez obciążenia	0-3000/min
Uchwyt	1/2" square chuck
Maks. moment obrotowy	600Nm
Ciężar	4,4 kg
Poziom ciśnienia akustycznego LPA	88 dB(A) K=3 dB(A)
Poziom mocy akustycznej LWA	99 dB(A), K=3dB(A)
Drgania	10,32 m/s ² K=1,5 m/s ²

Poziom drgań

Poziom emisji drgań podany w niniejszej instrukcji został zmierzony zgodnie ze zharmonizowanym testem podanym w normie EN 62841-1 i EN

62841-2-2 i może być stosowany do porównywania narzędzi ze sobą oraz w celu wstępnego oszacowania narażenia na drgania podczas stosowania narzędzia zgodnie z podanym przeznaczeniem.

- Używanie narzędzia do innych zastosowań lub z innymi lub źle konserwowanymi akcesoriami może znacząco zwiększać poziom ekspozycji.
- Okresy, gdy narzędzie jest wyłączone lub okresy, gdy jest włączone, ale nie pracuje, mogą znacząco zmniejszać poziom ekspozycji.
- Emisja drgań oraz emisja hałasu podczas rzeczywistego użytkowania elektronarzędzia może różnić się od zadeklarowanej wartości całkowitej w zależności od sposobu użytkowania narzędzia
- Konieczne jest określenie środków ochrony operatora w oparciu o szacowane narażenie w rzeczywistych warunkach użytkowania (z uwzględnieniem wszystkich części cyklu pracy, np. czasu, kiedy narzędzie jest wyłączone oraz gdy pracuje na biegu jałowym, poza samym czasem jego włączenia).

Chroń się przed wpływem drgań, konserwując odpowiednio narzędzie i akcesoria, utrzymując ciepłotę dłoni oraz odpowiednio organizując pracę.

OPIS

Liczby w tekście odnoszą się do rysunków na stronach 2.

1. Narzędzie
2. Główny uchwyt
3. Kabel zasilania
4. Włącznik / wyłącznik ruchu do przodu
5. Włącznik / wyłącznik ruchu do tyłu
6. Metalowa obudowa z gumową osłoną (do wykorzystania jako uchwyt pomocniczy)
7. Uchwyt kwadratowy 1/2" (12,7 mm)

3. MONTAŻ

Demontaż i montaż akcesoriów



Używać wyłącznie akcesoriów w rozmiarze 1/2" (12,7 mm) przeznaczonych do pracy z udarem. Akcesoria nieprzeznaczone do pracy z udarem mogą pęknąć i spowodować zagrożenie. Sprawdzić akcesorium przed każdym użyciem, aby dopilnować, że nie jest pęknięte.

- Wyłączyć narzędzie
- Wyjąć nasadkę z uchwyty (7), jeśli występuje.
- Zatrzasnąć nową nasadkę na uchwycie (7).
- Sprawdzić, czy nasadka jest dobrze zamocowana.
- Aby usunąć nasdkę, po prostu ją ściągnąć.

4. OBSŁUGA

Włączanie i wyłączanie maszyny oraz zmiana kierunku obrotów (ilustr. A)

Przełącznik służy do włączania maszyny i kierunku obrotów.

- Naciśnięcie przycisku ruchu do przodu / (4) spowoduje uruchomienie ruchu maszyny do przodu w celu dokręcenia śruby/nakrętki. Zwolnienie włącznika (4) powoduje zatrzymanie urządzenia.
- Naciśnięcie przycisku ruchu do przodu / (5) spowoduje uruchomienie ruchu maszyny do tyłu w celu poluzowania śruby/nakrętki. Zwolnienie włącznika ruchu do tyłu (5) powoduje zatrzymanie narzędzia.



Odkładaj narzędzie, dopiero gdy zatrzyma się całkowicie. Nie kłaść narzędzia w miejscu pokrytym pyłem, ponieważ pył może przedostać się do wnętrza mechanizmu.

Optymalne stosowanie

- W przypadku bardzo silnego dokręcenia śruby/nakrętek lub ich znacznego skorodowania, użyj odpowiedniego klucza do kół w celu ich lekkiego poluzowania.
- Stosowanie klucza udarowego jest zalecane tylko i wyłącznie do luzowania śrub/nakrętek. W przypadku stosowania klucza udarowego do dokręcania śrub i nakrętek, konieczne zastosuj ogranicznik momentu dokręcania odpowiedniego do danego zastosowania. Niezastosowanie się do tego zalcenia może spowodować uszkodzenie połączenia śrubowego. Ogranicznik momentu dokręcania może zostać nabyty w odpowiednich, wyspecjalizowanych jednostkach handlowych. Przed dokręceniem, ostrożnie wkręć pierwsze zwoje gwintu śruby/nakrętki.
- W przypadku specjalnych zastosowań, na przykład w motoryzacji, konieczne jest dokręcanie śrub/nakrętek odpowiednim momentem dokręcania. Wartości momentu dokręcania podane są przez producenta pojazdu na przykład w instrukcji obsługi. Zawsze stosuj się do tych

zaleceń. Moment może zostać ustawiony za pomocą ogranicznika lub klucza dynamometrycznego (np. Vonroc TW501XX).

5. KONSERWACJA



Przed rozpoczęciem montażu zawsze wyłączać maszynę i wyjmować wtyczkę zasilania sieciowego z gniazdka.

Czyścić obudowę urządzenia regularnie miękką ściereczką, najlepiej po każdym użyciu. Dopilnować, aby otwory wentylacyjne były wolne od pyłu, kurzu i zabrudzeń. Usuwać oporne zabrudzenia miękką ściereczką zwilżoną mydlinami. Nie używać żadnych rozpuszczalników, takich jak benzyna, alkohol, amoniak itp. Takie substancje chemiczne spowodują uszkodzenie części z tworzyw sztucznych.

OCHRONA ŚRODOWISKA



Uszkodzone i/lub niepotrzebne urządzenia elektryczne lub elektroniczne podlegają zbiórce w odpowiednich punktach recyklingu.

Tylko kraje WE

Nie wyrzucać elektronarzędzia wraz z odpadami z gospodarstw domowych. Zgodnie z dyrektywą 2012/19/WE dotyczącą zużytych urządzeń elektrycznych i elektronicznych oraz jej wdrożeniem do prawodawstwa krajowego, elektronarzędzia, które już nie nadają się do użytku, podlegają oddzielnej zbiórce oraz utylizacji w sposób przyjazny dla środowiska.

GWARANCJA

Produkty VONROC są wytwarzane zgodnie z najwyższymi standardami jakości i producent udziela gwarancji na wady materiałowe i wady wykonania na okres wymagany prawem, licząc od dnia zakupu. Jeśli wystąpi usterka produktu w tym okresie spowodowana wadą materiałową i/lub wadą wykonania, proszę bezpośrednio skontaktować się ze sprzedawcą VONROC.

Następujące okoliczności powodują unieważnienie gwarancji:

- Przeprowadzono naprawy lub modyfikacje narzędzia w serwisie innym lub autoryzowany lub podjęto ich próbę,
- Normalne zużycie,

- Narzędzie było używane niezgodnie z przeznaczeniem, źle z nim się obchodzono lub było nieprawidłowo konserwowane,
- Użyto części zamiennych innych niż oryginalne.

Niniejsza gwarancja to wyłączna gwarancja producenta i nie obowiązują żadne inne wyrażone ani dorozumiane gwarancje. Nie obowiązują żadne inne wyrażone ani dorozumiane gwarancje o zakresie przekraczającym niniejszą gwarancję, co obejmuje dorozumiane gwarancje przydatności do sprzedaży i przydatności do określonego celu. W żadnym przypadku firma VONROC nie ponosi odpowiedzialności za straty przypadkowe lub wynikowe. Zadośćuczynienie sprzedawcy jest ograniczone do naprawy lub wymiany niezgodnych urządzeń lub części.

Produkt i instrukcja obsługi podlegają zmianom. Dane techniczne podlegają zmianom bez uprzedzenia.

1. INSTRUCȚIUNI DE SIGURANȚĂ

Citiți avertizările de siguranță, avertizările de siguranță suplimentare și instrucțiunile. Nerespectarea avertizărilor de siguranță poate cauza producerea de electrocutări, incendii și/sau răniri grave. Păstrați avertizările de siguranță și instrucțiunile pentru referințe viitoare.

În manualul de utilizare sau pe produs se utilizează următoarele simboluri:



Citiți manualul de utilizare.



Indică riscul de rănire personală, pierderea vieții sau deteriorarea sculei în cazul în care nu se respectă instrucțiunile din acest manual.



Pericol de electrocutare.



Rotație, stânga/dreapta.



Mașină clasa II - Izolație dublă - Nu aveți nevoie de o priză împământată.



Purtați ochelari de protecție.



Purtați protecții antifonice.



Produsul este în conformitate cu standardele de siguranță aplicabile din directivele europene.

AVERTISMENTE GENERALE DE SIGURANȚĂ PRIVIND UNELTELE ELECTRICE



AVERTISMENT! Citiți toate avertismentele de siguranță și toate instrucțiunile.

Nerespectarea avertismentelor și instrucțiunilor poate cauza producerea de electrocutări, incendii și/sau răniri grave.

Păstrați toate avertismentele și instrucțiunile pentru consultare ulterioară.

Termenul „unealtă electrică” din avertismente se referă la scula electrică (cu fir) sau la unealta electrică cu baterie (fără fir).

1) Siguranța zonei de lucru

- a) **Păstrați zona de lucru curată și bine iluminată.** Zonele dezordonate sau întunecate duc la accidente.

- b) **Nu operați uneltele electrice în atmosfere explozive, cum ar fi în prezența lichidelor, gazelor sau pulberilor explozive.** Uneltele electrice generează scânteii care pot aprinde pulberea sau fumurile inflamabile.
- c) **Țineți la distanță copiii și persoanele din jur în timp ce operați o unealtă electrică.** Distragerile vă pot cauza pierderea controlului.
- 2) Siguranța electrică**
- a) **Ștecherile uneltelor electrice trebuie să se potrivească cu priza. Nu modificați niciodată în nici un fel mufele. Nu folosiți adaptoare de priză cu scule electrice legate de pământ (împământate).** Mufele nemodificate și prizele adecvate reduc riscul șocului electric.
- b) **Evitați contactul corpului cu suprafețele împământate precum țevi, radiatoare, cuptoare și frigider.** Există un risc mai mare de electrocutare dacă vă este corpul împământat.
- c) **Nu expuneți uneltele electrice la ploaie sau condiții de umezeală.** Apa care pătrunde într-o unealtă electrică va spori riscul de electrocutare.
- d) **Nu manipulați necorespunzător cablul. Nu folosiți niciodată cordonul pentru a purta, a trage sau a deconecta unealta. Feriți cordonul de căldură, ulei, margini ascuțite sau piese mobile.** Cordoane distruse sau încurcate cresc riscul de electrocutare.
- e) **Atunci când operați o unealtă de lucru în aer liber, utilizați un prelungitor pentru exterior.** Folosirea unui cordon adecvat pentru uzul în aer liber scade riscul de electrocutare.
- f) **În cazul în care operarea unei unelte electrice într-un spațiu cu umiditate nu poate fi evitată, utilizați o alimentare cu protecție pentru dispozitivele de curent rezidual (RCD).** Utilizarea unui RCD reduce riscul de electrocutare.
- 3) Siguranța personală**
- a) **Fiți precauți, fiți atenți la ceea ce faceți și respectați regulile de bun simț atunci când operați o unealtă electrică. Nu folosiți unealta electrică atunci când sunteți obosit sau sub influența drogurilor, alcoolului sau unui tratament medicamentos.** Un moment de neatenție în timpul operării uneltelor electrice poate cauza vătămări corporale grave.
- b) **Utilizați echipamentul de protecție corporală. Purtați întotdeauna protecție pentru ochi.** Echipamentul de protecție precum masca de praf, pantofii de protecție antiderapanți, casca de protecție sau protecția auzului utilizate în condiții adecvate vor reduce răniile personale.
- c) **Preîntâmpinați pornirea accidentală. Asigurați-vă că comutatorul este în poziția oprit înainte de a vă conecta la sursa de alimentare și / sau la baterie, de a ridica sau purta instrumentul.** Purtarea de unelte electrice ținând degetul pe comutator sau alimentarea uneltelor electrice care au comutatorul pornit duce la accidente.
- d) **Îndepărtați orice cheie sau clește de reglare înainte de a porni unealta electrică.** Un clește sau o cheie lăsată atașată unei piese rotative a unelei electrice poate cauza vătămări corporale.
- e) **Nu vă întindeți pentru a utiliza unealta de lucru. Mențineți-vă întotdeauna stabilitatea și echilibrul.** Acest lucru permite un control mai bun al unelei electrice în situații neașteptate.
- f) **Îmbrăcați-vă corespunzător. Nu purtați haine largi sau bijuterii. Țineți-vă părul, îmbrăcămintea și mânușile departe de piesele mobile.** Hainele largi, bijuteriile sau părul lung pot fi prinse în părțile mobile.
- g) **În cazul în care dispozitivele prezintă posibilitatea conectării de accesorii pentru aspirația și colectarea prafului, asigurați-vă că aceste accesorii sunt conectate și utilizate în mod corespunzător.** Utilizarea colectării prafului poate reduce pericolele legate de praf.
- h) **Nu lăsați ca obișnuința obținută prin utilizarea frecventă a uneltelor să vă permită să deveniți impasibil și să ignorați principiile de siguranță în utilizarea uneltelor.** O acțiune neglijentă poate provoca accidente grave într-o fracțiune de secundă.
- 4) Utilizarea și îngrijirea uneltelor electrice**
- a) **Nu forțați unealta electrică. Utilizați unealta electrică adecvată aplicației dvs.** Unealta electrică corectă va face munca mai bine și mai sigur la rata pentru care a fost proiectată.
- b) **Nu utilizați unealta electrică în cazul în care întrerupătorul nu comută în poziția pornit și oprit.** Orice unealtă electrică care nu poate fi controlată cu comutatorul este periculoasă și trebuie reparată.
- c) **Deconectați ștecherul de la sursa de alimentare și/sau acumulatorul de la unealta electrică înaintea efectuării oricăror reglaje, modificării accesoriilor sau depozitării uneltelor electrice.** Aceste măsuri preventive de precauție reduc riscul de pornire accidentală.

- d) **Nu depozitați uneltele electrice în stare inactivă la îndemâna copiilor și nu permiteți persoanelor nefamiliarizate cu unealta de lucru sau cu aceste instrucțiuni să o utilizeze.** Uneltele electrice sunt periculoase în mâinile utilizatorilor neinstruiți.
- e) **Efectuați întreținerea uneltelor electrice. Verificați alinierea sau configurarea greșită a pieselor mobile, ruperea pieselor și orice alte condiții care ar putea afecta funcționarea unelei electrice. În cazul deteriorării, reparați unealta electrică înainte de uz.** Multe accidente sunt cauzate de unelte electrice slab întreținute.
- f) **Păstrați uneltele de tăiat ascuțite și curate.** Uneltele de tăiat corect întreținute cu muchii ascuțite au mai puține șanse să se lege și sunt mai ușor de controlat.
- g) **Utilizați unealta electrică, accesoriile și cuțitele unelei etc. conform acestor instrucțiuni, ținând cont de condițiile de lucru și de lucrarea ce trebuie să fie efectuată.** Folosirea unelei electrice pentru operații diferite decât acelea destinate pot cauza o situație periculoasă.
- h) **Țineți mânerul și suprafețele de prindere uscate, curate și lipsite de ulei și unsoare.** Mânere și suprafețele de prindere alunecoase nu permit manipularea și controlul unelei în de siguranță în situații neașteptate.
- 5) **Service**
- a) **Prevedeți repararea unelei de lucru de către o persoană calificată, folosind exclusiv piese de schimb identice.** Acest lucru va garanta păstrarea în siguranță a unelei electrice.

AVERTIZĂRI DE SIGURANȚĂ SUPLIMENTARE PENTRU CHEILE FIXE DE IMPACT

- Țineți uneltele electrice de suprafețele izolate pentru prindere atunci când efectuați o operație în care dispozitivul de strângere poate atinge cabluri ascunse.** Dacă dispozitivele de fixare ating un cablu „sub tensiune”, și părțile metalice expuse ale sculei electrice se vor afla „sub tensiune”, ceea ce poate provoca electrocutarea operatorului.
- Purtați protecții antifonice când efectuați lucrări de găurire cu percuție.** Expunerea la zgomot poate determina pierderea auzului.
- Verificați cu atenție priza de impact cu privire la uzură, fisuri sau deteriorări, înainte de instalare.**
- Țineți bine uneltele.**
- Înainte de utilizare, strângeți uneltele în mod corect.** Această unealtă are un cuplu de ieșire

ridicat și fără o strângere corectă în timpul utilizării, poate interveni pierderea controlului care poate duce la vătămări corporale.

- Țineți mâinile la distanță de părțile rotative.**
- Nu atingeți priza de impact, bolțul, piulița sau piesa de lucru imediat după operare.** Acestea pot fi extrem de fierbinți și v-ar putea arde pielea.
- Întotdeauna așteptați până când unealta electrică s-a oprit complet înainte de a o așeza jos.** Unealta pentru aplicații se poate bloca și cauza pierderea controlului asupra unelei electrice.
- Asigurați-vă întotdeauna că aveți o stabilitate bună.** Asigurați-vă că la utilizarea unelei la înălțime nu există persoane dedesubt.
- Cuplul de strângere adecvat poate varia în funcție de tipul și dimensiunea bolțului.** Verificați cuplul cu o cheie dinamometrică.
- Asigurați-vă că nu există cabluri electrice, țevi de apă, țevi de gaz etc. care ar putea cauza pericole în cazul în care sunt deteriorate de utilizarea unelei.** Utilizați detectori adecvați pentru a stabili dacă există conducte de alimentare ascunse sau contactați compania de utilități publice cu privire la asistență.

Instrucțiuni de siguranță privind alimentarea electrică



Verificați întotdeauna ca tensiunea de la alimentarea cu energie să corespundă tensiunii de pe plăcuța cu specificații.

- Nu utilizați aparatul în cazul în care cablul de alimentare sau ștecherul este deteriorat sau defect.
- În cazul în care cablul de alimentare este deteriorat, acesta trebuie să fie înlocuit cu un cablu de alimentare special pregătit, disponibil la unitatea de service.
- Folosiți numai cabluri prelungitoare adecvate pentru puterea mașinii cu o grosime minimă de 1,5 mm². Dacă utilizați o bobină de cablu de extensie, derulați întotdeauna complet cablul.

2. INFORMAȚII CU PRIVIRE LA MAȘINĂ

Domeniul de utilizare

Mașina este concepută pentru înșurubarea și desfacerea șuruburilor și a bolțurilor, precum și pentru strângerea și desfacerea piulițelor, conform specificațiilor tehnice. Domeniul principal de activitate este în industria autovehiculelor, construcția metalelor sau lucrările pe acoperișuri. Dispozitivul nu este conceput pentru găurire.

SPECIFICAȚII TEHNICE

Nr. model	IW504AC
Tensiune	230-240V
Frecvență	50Hz
Clasa de protecție	Clasa II
Turație la mers în gol	2300/min
Rată de impact în lipsa încărcării	0-3000/min
Mandrină	1/2" square chuck
Cuplu max.	600Nm
Greutate	4,4 kg
Nivelul presiunii sonore LPA	88 dB(A) K=3 dB(A)
Nivelul puterii sonore LWA	99 dB(A), K=3dB(A)
Vibrație	10,32 m/s ² K=1,5 m/s ²

Nivelul vibrațiilor

Nivelul emisiilor de vibrații menționat în acest manual de instrucțiuni a fost măsurat în conformitate cu un test standardizat precizat în EN 62841-1 și EN 62841-2-2; poate fi folosit pentru a compara o sculă cu alta și ca evaluare preliminară a expunerii la vibrații atunci când folosiți scula pentru aplicațiile menționate.

- Utilizarea sculei pentru aplicații diferite sau cu accesorii diferite și prost întreținute, poate crește semnificativ nivelul de expunere.
- Momentele în care scula este oprită sau când funcționează dar nu execută nicio lucrare, pot reduce semnificativ nivelul de expunere.
- Emisia de vibrații și emisiile de zgomot în timpul utilizării efective a unelei electrice poate diferi de valoarea declarată în funcție de modalitățile de utilizare.
- Să se identifice măsurile de siguranță pentru a proteja operatorul, pe baza unei estimări a expunerii în condițiile reale de utilizare (luând în considerare toate părțile ciclului de operare, cum ar fi momentele în care unealta este oprită și când este inactivă în afară de timpul pentru declanșare).

Protejați-vă împotriva efectelor vibrațiilor prin întreținerea sculei și a accesoriilor sale, păstrând mâinile calde și organizând procesele de lucru.

DESCRIERE

Numerele din text se referă la diagramele de la paginile 2.

1. Mașina
2. Mâner principal
3. Cablu de alimentare
4. Comutator pornire/oprire înainte
5. Comutator pornire/oprire înapoi
6. Carcasă metalică cu capac din cauciuc (pentru a fi folosită ca mâner auxiliar)
7. Mandrină cu prindere pătrată 1/2" (12,7 mm)

3. ASAMBLAREA**Demontarea și montarea accesoriilor**

Utilizați numai accesorii de impact de 1/2" (12,7 mm). Accesoriile fără impact se pot rupe și pot cauza pericole. Inspectați accesoriul înainte de utilizare pentru a vă asigura că nu conține fisuri.

- Opriți mașina
- Scoateți priza din mandrină (7), în cazul în care există.
- Fixați priza nouă pe mandrină (7).
- Verificați dacă priza este atașată în mod corespunzător.
- Pentru îndepărtarea prizei, pur și simplu trageți-o.

4. OPERAREA**Pornirea și oprirea mașinii și reglarea direcției de rotire (Fig. A)**

Comutatorul basculant este utilizat pentru activarea mașinii și selectarea direcției de rotire.

- Prin apăsarea comutatorului pornire / oprire înainte (4), mașina se va activa în direcția înainte, pentru strângerea bolțurilor/piulițelor. Eliberarea comutatorului pornire/oprire înainte (4) va opri mașina.
- Prin apăsarea comutatorului pornire / oprire înapoi (5), mașina se va activa în direcția înapoi, pentru eliberarea bolțurilor/piulițelor. Eliberarea comutatorului pornire/oprire înapoi (5) va opri mașina.



Așezați mașina numai după ce s-a oprit complet din funcțiune. Nu o așezați pe o suprafață prăfuită, deoarece particulele de praf pot pătrunde în mecanism.

Utilizare optimă

- Dacă șuruburile/piulițele sunt foarte strânse sau dacă sunt ruginite, folosiți în prealabil o cheie de anvelope adecvată pentru o ușoară slăbire a acestora.
- Se recomandă cu insistență să utilizați mașina de înșurubat cu impact doar pentru slăbirea șuruburilor/piulițelor. Dacă doriți să utilizați mașina de înșurubat cu impact pentru strângerea șuruburilor și a piulițelor, trebuie să utilizați și un limitator de cuplu proiectat în acest scop. În caz contrar, îmbinarea filetată s-ar putea deteriora. Limitatoarele de cuplu se pot achiziționa de la ateliere specializate sau de la furnizori. Înainte de operațiunea de strângere, introduceți cu grijă șurubul/piulița în filete.
- Pentru aplicații specifice, cum ar fi cele din sectorul autovehiculelor, se impune strângerea bolțurilor/piulițelor la un anumit cuplu. Specificațiile sunt furnizate de către producătorul vehiculului, de exemplu, în manual. Urmați întotdeauna cu atenție aceste instrucțiuni. Cuplul poate fi setat, de exemplu, prin utilizarea unui limitator de cuplu sau a unei dinamometrice (de ex., Vonroc TW501XX).

5. ÎNTREȚINEREA



Înainte de curățare și întreținere, opriți alimentarea electrică a mașinii și deconectați fișa cablului de alimentare de la priza de rețea.

Curățați regulat carcasa cu o cârpă moale, de preferat după fiecare utilizare. Asigurați-vă că fanțele de aerisire sunt lipsite de praf și murdărie. Îndepărtați murdăria persistentă cu o cârpă moale înmuiată în clăbuci de săpun. Nu folosiți solvenți precum benzină, alcool, amoniac etc. Astfel de substanțe chimice vor deteriora componentele sintetice.

MEDIU



Aparatele electrice sau electronice deteriorate și/sau defecte trebuie colectate în locurile de reciclare corespunzătoare.

Numai pentru țările din CE

Nu aruncați echipamentele acționate electric împreună cu gunoiul menajer. Conform Indicației europene 2012/19/CE pentru echipamente electrice și electronice uzate și a implementării sale la nivel național, echipamentele acționate electric scoase din uz trebuie colectate separat și evacuate într-o manieră ecologică.

GARANȚIE

Produsele VONROC sunt realizate la cele mai înalte standarde de calitate și sunt garantate în privința materialelor și a manoperei pentru întreaga perioadă de utilizare în garanție, începând cu data achiziției. În cazul în care produsul prezintă defecțiuni în perioada de garanție din cauza materialului defect și/sau a manoperei, contactați direct VONROC.

Următoarele circumstanțe sunt excluse de la această garanție:

- Reparațiile sau modificările care realizate sau care s-au încercat a fi efectuate de centre de service neautorizate;
- Uzura în condiții normale de utilizare;
- Unealta care a fost abuzată, utilizată într-un mod neglijent sau întreținută în mod inadecvat;
- Folosirea unor piese de schimb neoriginale.

Aceasta acoperă garanția companiei, explicită sau implicită. Nu există alte garanții explicite sau implicite care să se extindă dincolo de cele indicate aici, incluzând garanțiile, vandabilitatea sau adecvarea pentru un anumit scop. În nicio situație, VONROC nu este responsabil pentru daunele incidentale sau consecvențiale. Reparațiile efectuate de reprezentant trebuie să fie limitate la reparațiile sau la înlocuirea unităților sau a pieselor neconforme.

Produsul și manualul de utilizare pot suferi modificări. Specificațiile se pot modifica fără notificare prealabilă.

1. INSTRUÇÕES DE SEGURANÇA

Leia os avisos de segurança fornecidos, os avisos de segurança adicionais e as instruções. O não cumprimento dos avisos de segurança e das instruções pode resultar em choque eléctrico, incêndio e/ou ferimentos graves. Guarde os avisos de segurança e as instruções para referência futura.

Os seguintes símbolos são utilizados no manual do utilizador ou no produto:



Leia o manual do utilizador.



Indica o risco de ferimentos, morte ou danos na ferramenta se as instruções indicadas neste manual não forem seguidas.



Risco de choque eléctrico.



Rotação, esquerda/direita.



Máquina de classe II - Isolamento duplo - Não é necessário uma ficha com ligação à terra.



Use sempre protecção ocular!



Utilize protecções auriculares.



O produto está em conformidade com as normas de segurança aplicáveis nas directivas europeias.

AVISOS GERAIS DE SEGURANÇA SOBRE A FERRAMENTA ELÉCTRICA



AVISO! Leia todos os avisos de segurança e instruções. O não cumprimento dos avisos de segurança e as instruções podem resultar em choque eléctrico, incêndio e/ou ferimentos graves.

Guarde todos os avisos e instruções para referência futura.

O termo “ferramenta eléctrica” indicado nos avisos diz respeito à ferramenta eléctrica com alimentação pela rede (com fio) ou por bateria (sem fio).

1) Segurança da área de trabalho

- a) **Mantenha a área de trabalho limpa e devidamente iluminada.** As áreas obstruídas ou escuras são propícias a acidentes.

- b) **Não utilize ferramentas eléctricas em atmosferas explosivas, por exemplo, na presença de líquidos inflamáveis, gases ou poeiras.** As ferramentas eléctricas produzem faíscas que podem causar ignição de poeiras ou vapores.
- c) **Quando utilizar uma ferramenta eléctrica, mantenha as crianças e transeuntes afastados.** As distrações podem causar perda de controlo.

2) Segurança eléctrica

- a) **As fichas da ferramenta eléctrica devem corresponder à tomada. Nunca modifique, de forma alguma, a ficha. Não utilize quaisquer fichas adaptadoras com ferramentas eléctricas ligadas à terra (massa).** As fichas e tomadas correspondentes não modificadas reduzem o risco de choque eléctrico.
- b) **Evite o contacto do corpo com superfícies ligadas à terra ou massa, como tubos, radiadores, fogões ou frigoríficos.** Há um maior risco de choque eléctrico se o corpo estiver ligado à terra ou à massa.
- c) **Não exponha as ferramentas eléctricas à chuva ou a ambientes húmidos.** A entrada de água numa ferramenta eléctrica aumenta o risco de choque eléctrico.
- d) **Não utilize o cabo de maneira abusiva. Nunca utilize o cabo para transportar, puxar ou desligar a ferramenta eléctrica. Mantenha o cabo afastado de fontes de calor, óleo, extremidades afiadas ou peças móveis.** Cabos danificados ou enrolados aumenta o risco de choque eléctrico.
- e) **Quando utilizar uma ferramenta eléctrica no exterior, opte por uma extensão adequada para utilização no exterior.** A utilização de um cabo adequado para utilização no exterior reduz o risco de choque eléctrico.
- f) **Se não for possível evitar trabalhar com uma ferramenta eléctrica num local húmido, utilize uma fonte de alimentação protegida por um dispositivo de corrente residual (DCR).** A utilização de um DCR reduz o risco de choque eléctrico.

3) Segurança eléctrica

- a) **Esteja atento, preste atenção ao que está a fazer e tenha senso comum quando utilizar uma ferramenta eléctrica. Não utilize uma ferramenta eléctrica quando estiver cansado ou sob o efeito de drogas, álcool ou medicamentos.** Um momento de distração durante a utilização

de ferramentas eléctricas pode resultar em ferimentos graves.

- b) **Use equipamento de protecção individual. Use sempre protecção ocular.** O equipamento de protecção, como, por exemplo, máscara de poeiras, sapatos de segurança antiderrapantes, capacete de segurança ou protecção auditiva, utilizado nas condições adequadas, reduz o risco de ferimentos.
- c) **Evite accionamentos acidentais. Assegure-se de que o gatilho está desligado antes de ligar a ferramenta à corrente eléctrica e/ou as baterias e antes de levantar ou transportar a ferramenta.** O transporte de ferramentas eléctricas com o dedo colocado no interruptor ou a ligação à corrente das ferramentas eléctricas com o interruptor ligado pode dar origem a acidentes.
- d) **Retire eventuais chaves de ajuste ou chaves de fendas antes de ligar a ferramenta eléctrica.** Uma chave de fenda ou de ajuste montada numa peça rotativa da ferramenta eléctrica pode causar ferimentos.
- e) **Não tente chegar a pontos fora do alcance. Mantenha-se sempre numa posição firme e bem equilibrada.** Desta forma, será mais fácil controlar a ferramenta eléctrica em situações inesperadas.
- f) **Use vestuário adequado. Não use roupa larga ou jóias. Mantenha o cabelo, a roupa e as jóias afastados das peças móveis.** As roupas largas, as jóias ou o cabelo comprido podem ficar presos nestas peças.
- g) **Se for prevista a montagem de dispositivos de extracção e recolha de poeiras, assegure-se de que estão ligados e que são utilizados de forma correcta.** A utilização de dispositivos de extracção de poeiras pode reduzir os riscos inerentes.
- h) **Não permita que a familiaridade obtida através do uso frequente de ferramentas faça com que seja complacente e ignore os princípios de segurança da ferramenta.** Uma acção irreflectida pode causar ferimentos graves numa fracção de segundos.

4) Utilização e cuidados a ter com a ferramenta com baterias

- a) **Não sobrecarregue a ferramenta eléctrica. Utilize a ferramenta eléctrica correcta para o seu trabalho.** A ferramenta eléctrica adequada efectua o trabalho de maneira mais eficiente e segura se for utilizada de acordo com a capacidade para a qual foi concebida.

- b) **Não utilize a ferramenta eléctrica se não conseguir ligar ou desligar o gatilho.** Qualquer ferramenta eléctrica que não possa ser controlada através do gatilho é perigosa e tem de ser reparada.
- c) **Retire a ficha da fonte de alimentação e/ou a bateria da ferramenta eléctrica, caso seja possível fazê-lo, antes de efectuar quaisquer ajustes, substituir acessórios ou guardar ferramentas eléctricas.** Estas medidas de segurança preventivas reduzem o risco de ligar a ferramenta eléctrica acidentalmente.
- d) **Mantenha as ferramentas eléctricas que não estiverem a ser utilizadas fora do alcance das crianças. Não permita que a ferramenta eléctrica seja utilizada por pessoas não familiarizadas com a mesma ou que não tenham lido estas instruções.** As ferramentas eléctricas são perigosas nas mãos de pessoas que não possuam as qualificações necessárias para manuseá-las.
- e) **Faça a manutenção das ferramentas eléctricas. Verifique se as peças móveis da ferramenta eléctrica estão alinhadas e não emperram, bem como se existem peças partidas ou danificadas ou quaisquer outras condições que possam afectar o funcionamento da mesma. Se a ferramenta eléctrica estiver danificada, esta não deve ser utilizada até que seja reparada.** Muitos acidentes têm como principal causa ferramentas eléctricas com uma manutenção insuficiente.
- f) **Mantenha as ferramentas de corte afiadas e limpas.** As ferramentas de corte sujeitas a uma manutenção adequada, com arestas de corte afiadas, bloqueiam com menos frequência e controlam-se com maior facilidade.
- g) **Utilize a ferramenta eléctrica, os acessórios e as peças de ferramenta, etc., de acordo com estas instruções, considerando as condições de trabalho e a tarefa a ser executada.** A utilização da ferramenta eléctrica para fins diferentes dos previstos pode resultar em situações perigosas.
- h) **Mantenha as pegas e as superfícies de fixação secas, limpas e sem óleo e gordura.** As pegas escorregadias e as superfícies de fixação não permitem o manuseamento seguro e o controlo da ferramenta em situações imprevistas.

5) Assistência

- a) **A sua ferramenta eléctrica só deve ser reparada por pessoal qualificado e só devem ser utilizadas peças sobressalentes idênticas.** Desta forma, é garantida a segurança da ferramenta eléctrica.

AVISOS DE SEGURANÇA ADICIONAIS PARA APARAFUSADORAS DE IMPACTO

- 1. Segure na ferramenta eléctrica pelas superfícies de fixação isoladas quando efectuar uma operação em que o parafuso de fixação possa entrar em contacto com fios ocultos.** Os parafusos de fixação que entrem em contacto com um fio com tensão eléctrica poderá fazer com que as peças de metal expostas da ferramenta conduzam electricidade e electrocitem o utilizador.
- 2. Use protecção auricular quando efectuar perfurações de impacto.** A exposição ao ruído pode causar perda de audição.
- 3. Antes da instalação, verifique com atenção se a chave de impacto apresenta sinais de desgaste, rachas ou danos.**
- 4. Segure na ferramenta com firmeza.**
- 5. Agarre na ferramenta de maneira adequada antes de utilizá-la.** Esta ferramenta produz um binário de saída elevado e se não amarrar a ferramenta adequadamente durante o funcionamento, poderá ocorrer a perda de controlo, resultando em ferimentos.
- 6. Mantenha as mãos afastadas de peças rotativas.**
- 7. Não toque na chave de impacto, no perno, na porca ou na peça de trabalho imediatamente após a operação.** Estes podem estar demasiado quentes e podem causar queimaduras na sua pele.
- 8. Antes de pousar a ferramenta eléctrica, aguarde sempre até esta parar por completo.** A ferramenta de aplicação pode ficar encravada e causar perda de controlo da ferramenta eléctrica.
- 9. Deve colocar-se sempre numa superfície firme.** Se utilizar a ferramenta num plano elevado, não devem estar pessoas debaixo da ferramenta.
- 10. O binário de aperto adequado pode variar consoante o tipo ou o tamanho do perno.** Verifique o binário com uma chave dinamométrica.
- 11. Certifique-se de que não há cabos eléctricos, tubos de água, tubos de gás, etc., que possam causar uma situação de perigo se ficarem danificados devido à utilização da ferramenta.** Utilize detectores adequados para determinar se existem cabos de alimentação escondidos ou contacte a empresa de serviços públicos locais para obter assistência.

Segurança eléctrica



Verifique sempre se a tensão da fonte de alimentação corresponde à tensão na placa sinalética.

- Não utilize a máquina se o cabo de alimentação ou a ficha estiver danificada.
- Utilize apenas extensões que sejam adequadas para a potência nominal da máquina com uma espessura mínima de 1,5 mm². Se utilizar um enrolador de extensão, desenrole sempre o cabo por completo.
- Se o cabo de alimentação desta ferramenta eléctrica estiver danificado, deve ser substituído por um cabo de alimentação especialmente preparado, disponível através do serviço de assistência.

2. INFORMAÇÕES SOBRE A MÁQUINA

Utilização pretendida

A máquina é concebida para apertar e desapertar parafusos e pernos, bem como apertar e desapertar porcas, de acordo com os dados técnicos. O principal ambiente visado é o sector automóvel, para tarefas de construção metálica ou em coberturas. O dispositivo não é concebido para perfuração.

ESPECIFICAÇÕES TÉCNICAS

Modelo n.º	IW504AC
Tensão	230-240V
Frequência	50Hz
Classe de protecção	Classe II
Sem velocidade de carga	2300/min
Velocidade de impacto sem carga	0-3000/min
Mandril	1/2" square chuck
Binário máx.	600Nm
Peso	4,4 kg
Nível de pressão acústica LPA	88 dB(A) K=3 dB(A)
Nível de potência acústica LWA	99 dB(A), K=3dB(A)
Vibração	10,32 m/s ² K=1,5 m/s ²

Nível de vibração

O nível de emissão de vibrações indicado neste manual de instruções foi medido em conformidade com um teste padrão especificado pela norma EN 62841-1 e EN 62841-2-2; pode ser utilizado para comparar ferramentas e como avaliação preliminar da exposição a vibrações quando utilizar a ferramenta para as aplicações indicadas.

- A utilização da ferramenta para aplicações diferentes, ou com acessórios diferentes ou com uma manutenção deficiente, pode aumentar consideravelmente o nível de exposição.
- O número de vezes que a ferramenta é desligada ou está ligada, mas não está a ser utilizada, pode reduzir significativamente o nível de exposição.
- As emissões de vibração e ruído durante a utilização efectiva da ferramenta eléctrica pode ser diferente do valor total declarado, dependendo da maneira como a ferramenta for utilizada
- é necessário para identificar medidas de segurança para proteger o utilizador que se baseiam num nível estimado da exposição em condições efectivas de utilização (tendo em consideração todos os passos do ciclo de funcionamento, como os períodos em que a ferramenta é desligada e quando está a funcionar ao ralenti, além do tempo de accionamento).

Proteja-se contra os efeitos da vibração, através de uma manutenção da ferramenta e dos respectivos acessórios, mantendo as mãos quentes e organizando os seus padrões de trabalho.

DESCRIÇÃO

Os números indicados no texto dizem respeito aos diagramas nas páginas 2.

1. Máquina
2. Pega principal
3. Cabo de alimentação
4. Interruptor para ligar/desligar avanço
5. Interruptor para ligar/desligar recuo
6. Carcaça de metal com tampa de borracha (para ser usada como alça auxiliar)
7. Mandril hexagonal de 1/2" (12,7 mm)

3. MONTAGEM

Retirar e montar acessórios



Utilize apenas os acessórios de impacto de 1/2" (12,7 mm). Os acessórios que não sejam de impacto podem partir-se e causar uma situação de perigo. Inspeccione o acessório antes de o utilizar para garantir que não tem rachas.

- Desligue a máquina
- Retire a chave do mandril (7), caso esteja alguma inserida.
- Encaixe a nova chave no mandril (7).

- Verifique se a chave está inserida correctamente.
- Para retirar a chave, basta puxá-la para fora.

4. FUNCIONAMENTO

Ligar e desligar a máquina e regular a direcção de rotação (Fig. A)

O interruptor basculante é utilizado para activar a máquina e escolher a direcção de rotação.

- Se carregar no interruptor para ligar/desligar avanço (4), a máquina é activada na direcção de avanço, para apertar parafusos/porcas. Se libertar o interruptor para ligar/desligar avanço (4), a máquina é parada.
- Se carregar no interruptor para ligar/desligar recuo (5), a máquina é activada na direcção de recuo, para desapertar parafusos/porcas. Se libertar o interruptor para ligar/desligar recuo (5), a máquina é parada.



Só deve pousar a máquina depois de parar de funcionar por completo. Não coloque a máquina numa superfície com pó uma vez que podem entrar partículas de pó dentro do mecanismo.

Utilização adequada

- Se os parafusos/porcas estiverem muito apertados ou se estiverem enferrujados, utilize uma chave de pneus adequada para desapertá-los primeiro.
- Recomenda-se vivamente a utilização de uma aparafusadora de impacto apenas para desapertar parafusos/porcas. Se quiser utilizar a aparafusadora de impacto para apertar parafusos e porcas, deve utilizar também um limitador de binário, que é concebido para esta finalidade. Caso contrário, a conexão roscada pode ficar danificada. Os limitadores de binário podem ser adquiridos em lojas ou fornecedores especializados. Antes de apertar, insira com atenção o parafuso/porca nas roscas.
- Para aplicações específicas, por exemplo, no sector automóvel, é necessário apertar os parafusos/porcas para um binário específico. Estes são fornecidos pelo fabricante do veículo, por exemplo, no manual. Siga sempre estas instruções com atenção. O binário pode ser regulado utilizando, por exemplo, um limitador de binário ou uma chave dinamométrica (por exemplo, a Vonroc TW501XX).

5. MANUTENÇÃO



Antes de efectuar a limpeza e a manutenção, desligue sempre a máquina e retire a ficha da tomada de corrente.

Limpe a caixa da máquina com frequência com um pano macio, de preferência após cada utilização. Assegure-se de que as aberturas de ventilação não têm pó ou sujidade. Retire a sujidade muito persistente com um pano macio humedecido com água de sabão. Não utilize solventes, como gasolina, álcool, amoníaco, etc. Este tipo de produtos químicos danificam os componentes sintéticos.

AMBIENTE



Os equipamentos eléctricos ou electrónicos defeituosos e/ou eliminados devem ser recolhidos em locais de reciclagem adequados.

Apenas para os países da CE

Não elimine as ferramentas eléctricas em conjunto com os resíduos domésticos. De acordo com a directiva europeia 2012/19/CE sobre resíduos de equipamentos eléctricos e electrónicos e a respectiva implementação na legislação nacional, as ferramentas eléctricas que já não sejam utilizadas devem ser recolhidas em separado e eliminadas de maneira ecológica.

GARANTIA

Os produtos da VONROC são desenvolvidos de acordo com os padrões de qualidade mais elevados e não apresentam quaisquer defeitos em termos de materiais e mão-de-obra em relação ao período estipulado por lei, cujo início é a partir da data de compra original. Se o produto apresentar qualquer falha durante este período devido a qualquer defeito no material e/ou de mão-de-obra, contacte a VONROC directamente.

As seguintes circunstâncias estão excluídas desta garantia:

- Se forem efectuadas ou tentadas quaisquer reparações e/ou alterações na máquina por centros de assistência não autorizados;
- Desgaste normal;
- Se a ferramenta foi utilizada de maneira abusiva, indevida ou a manutenção for efectuada de maneira incorrecta;

- Se forem utilizadas peças sobresselentes não originais.

Isto constitui a única garantia feita pela empresa, de maneira expressa ou implícita. Não existem quaisquer outras garantias expressas ou implícitas que se prolonguem, incluindo as garantias implícitas de comercialização e adequação para fins específicos. A VONROC não será, em nenhuma circunstância, responsável por danos incidentais ou indirectos. Os fornecedores devem estar limitados a reparar ou substituir as unidades ou peças que não estejam em conformidade.

O equipamento e o manual do utilizador estão sujeitos a alterações sem aviso prévio. As especificações podem ser alteradas sem aviso prévio.

1. BIZTONSÁGI UTASÍTÁSOK

Olvassa el az összes mellékelt biztonsági figyelmeztetést. A figyelmeztetések és utasítások be nem tartása áramütéshez, tűz keletkezéséhez vagy akár súlyos személyi sérüléshez vezethet. Őrizze meg a biztonsági figyelmeztetéseket és utasításokat későbbre is.

A használati útmutatóban és a terméken a következő jelölésekkel találkozhat:



Olvassa el a használati útmutatót.



A jelen útmutató utasításainak be nem tartása esetén balesetveszély, életveszély vagy a szerszám károsodásának veszélyét jelöli.



Áramütés veszélye.



Forgás, balra/jobbra.



II. érintésvédelmi osztályú gép – kettős szigetelés: földelés nélküli csatlakozóaljzat-ról is használható.



Mindig viseljen szemvédő felszerelést!



Viseljen fülvédőt.



A termék megfelel az európai irányelvek rá vonatkozó biztonsági követelményeinek.

AZ ELEKTROMOS GÉPEKRE VONATKOZÓ ÁLTALÁNOS BIZTONSÁGI FIGYELMEZTETÉSEK



FIGYELMEZTETÉS! Olvasson el minden biztonsági figyelmeztetést és utasítást.

A biztonsági figyelmeztetések és útmutatások be nem tartása áramütést, tüzet és/vagy súlyos sérülést okozhat.

Az összes figyelmeztetést és utasítást őrizze meg, mert később még szüksége lehet rájuk.

A figyelmeztetésekben szereplő „elektromos szerszám” kifejezés az Ön hálózatról működő (vezetékes) elektromos szerszámára vagy akkumulátorral működő (vezeték nélküli) elektromos szerszámára utal.

1) A munkaterület biztonsága

a) **Gondoskodjon a munkaterület tisztaságáról és megfelelő megvilágításáról.** A rendezetlen

és sötét területeken valószínűbb a balesetek előfordulása.

b) **Ne használja az elektromos szerszámokat robbanásveszélyes légtérben, például ahol gyúlékony folyadékok, gázok vagy por vannak jelen.**

Az elektromos szerszámok használata során keletkező szikra lángra lobbantathatja a port és füstöt.

c) **Az elektromos szerszám használata során a gyermekeket és a közelben tartózkodó személyeket tartsa távol a munkaterülettől.**

Ha valami eltereli a figyelmét, elveszítheti az irányítást.

2) Elektromos biztonság

a) **Az elektromos szerszám dugóinak megfelelőnek kell lenniük az aljzathoz. Soha ne próbálja semmilyen módon módosítani a dugót. Földelt elektromos szerszámokhoz ne használjon semmilyen adapterdugót.** Az eredeti

(értsd: módosítás nélküli) dugók és megfelelő hálózati aljzatok használatával mérsékelhető az elektromos áramütés veszélye.

b) **Ügyeljen arra, hogy teste ne érintkezzen földelt felületekkel, például csővezetékekkel, radiátorral, tűzhellyel vagy hűtőszekrénnel.** Ha teste földelődik, megnő az áramütés kockázata.

c) **Óvja az elektromos szerszámokat az esőtől és nedves környezettől.** Az elektromos szerszám-ba kerülő víz növeli az elektromos áramütés veszélyét.

d) **Ne használja helytelenül (nem előírászerűen) a kábelt. A kábelt soha ne használja az elektromos szerszám hordozására, húzására vagy az aljzathoz történő kihúzására. A kábelt tartsa távol hőforrásoktól, olajtól, hegyes élektől és mozgó alkatrészekről.** A sérült vagy megtekeredett kábelek növelik az elektromos áramütés veszélyét.

e) **Az elektromos szerszám kültéri használata esetén kültéri használatra alkalmas hosszabító kábelt használjon.** A kültéri használatra alkalmas kábel használatával mérsékelhető az elektromos áramütés veszélye.

f) **Ha az elektromos szerszámot mindenképpen nedves környezetben kell használni, akkor használjon áramvédő kapcsolóval (RCD) ellátott tápforrást.** Az áramvédő kapcsolóval ellátott tápforrás használatával mérsékelhető az elektromos áramütés veszélye.

3) Személyi biztonság

- a) **Az elektromos szerszám használata során maradjon éber, koncentráljon az éppen végzett műveletre és használja a józan ítélőképességét. Ha fáradt, vagy ha kábítószer, alkohol vagy gyógyszer hatása alatt áll, ne használjon elektromos szerszámot.** Az elektromos szerszámok használata közben egyetlen pillanatnyi figyelmetlenség is súlyos személyi sérülést okozhat.
- b) **Használjon egyéni védőfelszerelést. Mindig viseljen szemvédő felszerelést.** A megfelelő körülményekhez való védőeszközökkel (például pormaszkkal, csúszásgátló biztonsági cipővel, munkavédelmi sisakkal vagy hallásvédő eszközzel) csökkenthető a személyi sérülések kockázata.
- c) **Gondoskodjon a gép véletlen elindulásának a megelőzéséről. A szerszám tápforráshoz és/vagy akkumulátorcsomaghoz történő csatlakoztatása, kézbevétele vagy hordozása előtt győződjön meg róla, hogy a kapcsoló OFF (kikapcs.) állásban van.** Ha úgy hordozza az elektromos szerszámot, hogy az ujjá a kapcsolón van, vagy úgy helyezi feszültség alá az elektromos szerszámot, hogy a kapcsolója ON (bekapcs.) helyzetben van, az növeli a balesetek kockázatát.
- d) **Az elektromos szerszám bekapcsolása előtt távolítsa el a csavarkulcsokat vagy beállító kulcsokat.** Az elektromos szerszám forgó alkatrészein felejtett csavarkulcs vagy beállító kulcs személyi sérülést okozhat.
- e) **Ne próbáljon túlnyújtóztatva vagy kitekeredett testhelyzetben dolgozni. Mindig két lábbal, egyensúlyát megtartva álljon a talajon.** Így könnyebben tudja irányítani az elektromos szerszámot a váratlan helyzetekben.
- f) **Viseljen megfelelő öltözetet. Ne viseljen laza ruhát vagy ékszert. Haját, ruháját és kesztyűjét tartsa távol a mozgó alkatrészekről.** A mozgó alkatrészek behúzhatják a ruhákat, az ékszereket és a hosszú haját.
- g) **Ha a szerszámhoz porelszívó és porgyűjtő eszközt is lehet csatlakoztatni, akkor gondoskodjon ezek csatlakoztatásáról és megfelelő használatáról.** A porgyűjtő rendszerek használatával csökkenthetők a porral kapcsolatos veszélyek.
- h) **Ne engedje, hogy a szerszámok gyakori használata során szerzett tapasztalatai túlzott biztonságérzetet keltsenek Önben, és amiatt elhanyagolja a biztonsági alapelveket.** A gond-

atlan cselekvés már a másodperc töredéke alatt is súlyos sérülést okozhat.

4) Az elektromos szerszám használata és ápolása

- a) **Az elektromos szerszámot tilos túlzott erőfeszítéssel használni. Az alkalmazási célnak megfelelő elektromos szerszámot használjon.** A megfelelő elektromos szerszám biztonságosabban és hatékonyabban végzi a munkát azon a fordulatszámmon, amire azt tervezték.
- b) **Ne használja az elektromos szerszámot, ha az nem kapcsolható be/ki a főkapcsolóval.** Bármely elektromos szerszám veszélyes lehet, amit a kapcsolóval nem lehet irányítani, ezért az ilyen elektromos szerszámot meg kell javíttatni.
- c) **Válassza le a dugót a tápforrásról és/vagy az akkumulátorcsomagot az elektromos szerszámról, mielőtt bármilyen módosítást végez, tartozékot cserél vagy eltávolítja az elektromos szerszámot.** Ezekkel a megelőző biztonsági intézkedésekkel csökkenthető az elektromos szerszám véletlen elindulásának a kockázata.
- d) **A használaton kívüli elektromos szerszámot olyan helyen tárolja, ahol gyermekek nem férhetnek hozzá; ne engedje, hogy olyan személyek használják, akik az elektromos szerszámot és ezeket az utasításokat nem ismerik.** Az elektromos szerszámok rendkívül veszélyesek lehetnek szakképzetlen felhasználók kezében.
- e) **Tartsa karban az elektromos szerszámokat. Ellenőrizze, hogy a mozgó alkatrészek nem állítódtak-e el vagy nem szorulnak-e, nincsenek-e a szerszámmon törött alkatrészek, és nem állnak-e fenn olyan körülmények, amelyek befolyásolhatják a szerszám működését. Ha az elektromos szerszám sérült, használat előtt javíttassa meg.** A nem megfelelően karbantartott elektromos szerszámok számos balesetet okoznak.
- f) **Tartsa élesen és tisztán a vágószerszámokat.** A megfelelően karbantartott, éles vágószerszámok beszorulásának kisebb a valószínűsége, ráadásul könnyebben irányíthatók.
- g) **Az elektromos szerszámot, tartozékokat és szerszámszárakat stb. a használati útmutatónak megfelelően használja, a munkakörülmények és az elvégzendő feladat figyelembevételével.** Ha az elektromos szerszámot a rendeltetési céljától eltérően használják, az veszélyhelyzetet teremthet.
- h) **Tartsa a fogantyúkat és egyéb markolási felületeket szárazon, tisztán, olajtól és zsírtól**

mentesen. Váratlan helyzetekben a csúszós fogantyúk és egyéb markolási felületek akadályozzák a szerszám biztonságos kezelését és irányítását.

5) Szerviz

- a) **Az elektromos szerszámot képzett javító szakemberrel javíttassa, csakis az eredetivel azonos pótalkatrészeket használjon fel.** Ez biztosítja, hogy a szerszámgép továbbra is biztonságos maradjon.

KIEGÉSZÍTŐ BIZTONSÁGI FIGYELMEZTETÉSEK AZ ÜTŐMŰVES CSAVARBEHAJTÓRA VONATKOZÓAN

1. **Az elektromos szerszámot a szigetelt markolatainál fogja, amikor olyan helyen dolgozik vele, ahol a kötőelem rejtett vezetékét érheti.** Ha a kötőelem feszültség alatt álló vezetékhez ér, a szerszám szabadon álló fémesei részai feszültség alá kerülhetnek, és a kezelő áramütést szenvedhet.
2. **Ütvefúráskor viseljen fülvédőt.** A magas zajszint halláskárosodást okozhat.
3. **Az üzembe helyezés előtt alaposan ellenőrizze az ütőműves dugókulcsot, hogy nincs-e rajta kopás, repedés vagy sérülés.**
4. **Tartsa erősen a szerszámot.**
5. **Használat előtt megfelelően támassza meg a szerszámot.** Ez a szerszám nagy nyomatékot ad le, és ha munka közben nem markolja eléggé, elvesztheti felette az uralmát, és sérülést szenvedhet.
6. **Tartsa távol a kezeit a forgó alkatrészekről.**
7. **Közvetlenül használat után ne érintse meg az ütőműves dugókulcsot, a csavart, az anyát vagy a munkadarabot.** Ezek rendkívül forróak lehetnek, és megégethetik a bőrét.
8. **Mindig várja meg az elektromos szerszám teljes leállítását, mielőtt letenné.** Az alkalmazott szerszám elakadhat, Ön pedig elveszítheti az uralmát az elektromos szerszám felett.
9. **Mindig szilárdan, egyensúlyát megtartva álljon a lábán.** Amikor a szerszámot a magasban használja, győződjön meg róla, hogy senki nem tartózkodik alatta.
10. **A megfelelő rögzítési nyomaték a csavar fajtájától és méretétől függően eltérő lehet.** Ellenőrizze nyomatékkulccsal a nyomatékot.
11. **Győződjön meg róla, hogy nincsenek olyan elektromos kábelek, vízvezetékek, gázvezeté-**

kek stb., amelyek a szerszám használata során megsérülve veszélyt okozhatnak. Használjon megfelelő keresőműszert annak megállapítására, hogy nincsenek-e az érintett területen rejtett vezetékek, vagy forduljon a helyi közüzemi szolgáltatóhoz segítségért.

Elektromos biztonság



Mindig ellenőrizze, hogy a tápellátás megfelel-e az adattáblán feltüntetett feszültségeknek.

- Ne használja a gépet, ha a hálózati kábel vagy a hálózati csatlakozódugó sérült.
- Csak olyan hosszabbító kábelt használjon amely megfelel a berendezés névleges teljesítményének és legalább 1,5 mm² vastag. Ha kábeldobot használ a hosszabbító kábelhez, mindig teljesen tekerje le a kábelt.
- Ha az elektromos szerszám tápkábele sérült, azt a szerviz-hálózaton keresztül kapható, speciálisan kialakított tápkábelre kell cserélni.

2. A GÉP ISMERTETÉSE

Rendeltetésszerű használat

A gép a műszaki adatok betartása mellett csavarok behajtására és meglazítására, valamint anyák meghúzására és meglazítására szolgál. Elsősorban az autópárhuzamban, fém szerkezeti vagy tetőfedési munkákhoz használatos. A készülék nem alkalmas fúrásra.

MŰSZAKI ADATOK

Modellazonosító	IW504AC
Feszültség	230-240V
Frekvencia	50Hz
Védelmi osztály	II. osztály
Üresjárat fordulatszám	2300/min
Ütvefúrási fordulatszám üresjáraton	0-3000/min
Tokmány	1/2" square chuck
Maximális nyomaték	600Nm
Súly	4,4 kg
Hangnyomásszint LPA	88 dB(A) K=3 dB(A)
Hangteljesítményszint LWA	99 dB(A), K=3dB(A)
Rezgés	10,32 m/s ² K=1,5 m/s ²

Rezgés értékek

A használati útmutatóban megadott rezgés kibocsátási értékek mérése az EN 62841-1, EN 62841-2-2 szabvány szerinti egységesített eljárással történt; az értékek használhatók gépek összehasonlítására és a munkavégzés közbeni rezgés terhelés előzetes megbecslésére az adott alkalmazási területen.

- Ha az elektromos kéziszerszámot más területen használják vagy más vagy rossz karban tartott tartozékkal, a rezgés terhelés jelentősen megnövekedhet.
- Azok az időtartamok, amely alatt a gép üresen jár vagy áll, jelentősen csökkenthetik a tényleges terhelést.
- Az elektromos kéziszerszám tényleges használata során fellépő rezgés- és zajkibocsátás eltérhet a megadott értékektől, attól függően, hogy a szerszámot milyen módon használják, különösen, hogy milyen munkadarabot dolgoznak fel
- A gépkezelő védelme érdekében olyan biztonsági intézkedéseket kell meghatározni, amelyek az aktuális felhasználási körülményekben jellemző expozíció előzetes becslésén alapulnak (figyelembe véve a működési ciklus valamennyi részét, tehát a szerszám aktív működtetésén kívül a kikapcsolt állapotban és az üresjáratú állapotban tartott alkalmakat is).

Védje magát a rezgés hatásától, tartsa karban a gépet és a tartozékokat, melegítsen be és szerelje meg okosan a munkáját.

LEÍRÁS

A szövegbeli számok a 2. oldal képeire utalnak.

1. Gép
2. Főfogantyú
3. Hálózati kábel
4. Előremenet be-/kikapcsoló
5. Hátramenet be-/kikapcsoló
6. Fém ház gumiborítással (kiegészítő fogantyúként használható)
7. 12,7 mm-es (1/2") derékszögű tokmány

3. ÖSSZESZERELÉS

Tartozékok le- és felszerelése



Csak 12,7 mm-es (1/2") ütőtartozékokat használjon. A nem ütésre készült tartozékok eltörhetnek, és veszélyt okozhatnak. Használat előtt vizsgálja át a tartozékokat, nincsenek-e rajta repedések.

- Kapcsolja ki a gépet.
- Vegye ki a dugókulcsot a tokmányból (7), ha korábban behelyezett ilyen.
- Fogassa rá az új dugókulcsot a tokmányra (7).
- Ellenőrizze, hogy a dugókulcs megfelelően rögzült-e.
- A dugókulcsot az eltávolításához egyszerűen húzza le.

4. MŰKÖDTETÉS

A gép be- és kikapcsolása, valamint a forgásirány változtatása (A ábra)

A billenőkapcsoló a gép bekapcsolására, illetve a forgásirány kiválasztására szolgál.

- Az előremenet be-/kikapcsoló (4) megnyomásával a gép előrefelé forog, csavarok/anyák meghúzásához. Az előremenet be-/kikapcsoló (4) elengedésekor a gép leáll.
- A hátramenet be-/kikapcsoló (5) megnyomásával a gép hátrafelé forog, csavarok/anyák meglazításához. A hátramenet be-/kikapcsoló (5) elengedésekor a gép leáll.



Csak akkor tegye le a gépet, ha már teljesen leállt. Ne tegye poros helyre, mert a porrészcscék bekerülhetnek a szerkezetbe.

Optimális használat

- Ha a csavarok/anyák nagyon szorosak vagy rozsdásak, először megfelelő kerékkulcs segítségével lazítsa meg őket kissé.
- Nyomatékosan ajánlott, hogy csak csavarok/anyák meglazításához használja az ütvecsavarozót. Ha az ütvecsavarozót csavarok és anyák meghúzására kívánja használni, akkor az erre a célra kialakított nyomatékkorlátozót is használnia kell. Ellenkező esetben a csavarkötés megsérülhet. Nyomatékkorlátozót

szaküzletekben vagy speciális beszállítóknál vásárolhat. Meghúzás előtt gondosan helyezze be a csavart/anyát a menetbe.

- Speciális alkalmazások esetén, például az autópárhuzban, a csavarok/anyák nyomatékai előírás szerinti meghúzása szükséges. Ezt a jármű gyártója határozza meg, például a kézikönyvben. Mindig kövesse pontosan a megadott utasításokat. A nyomaték beállítható például nyomatékkorlátozóval vagy nyomatékulccsal (pl. Vonroc TW501XX).

5. KARBANTARTÁS



Tisztítás és karbantartás előtt mindig kapcsolja ki a gépet és húzza ki a hálózati csatlakozódugót.

A gép burkolatát rendszeresen, lehetőleg minden használat után törölje át puha ronggyal. Ügyeljen rá, hogy a szellőzőnyílások portól és szennyeződéstől mentesek legyenek. Makacs szennyeződésekhez használjon szappanos vízzel átitatott ruhát. Oldószert, benzint, alkoholt, ammóniát stb. ne használjon. Ezek a vegyszerek kárt tesznek a szintetikus részekben.

KÖRNYEZETVÉDELEM



A hibás vagy már feleslegessé vált elektromos, elektronikus készülékeket az ezzel foglalkozó gyűjtőpontokon kell leadni.

Csak EU országokban

Elektromos szerszámokat ne dobjon a háztartási hulladékok közé. Az elektromos és elektronikai hulladékokra vonatkozó, 2012/19/EU európai irányelv és annak a nemzeti törvénykezésbe történő átültetése értelmében az elhasználandó elektromos készülékeket külön kell gyűjteni és környezetbarát módon kell kiselejtezni.

JÓTÁLLÁS

A VONROC termékei a legmagasabb minőségi normák szerint készülnek, és az eredeti vásárlás napjától számított, törvényileg előírt időtartamig garantáljuk, hogy anyag- és gyártási hibáktól mentesen fognak működni. Ha a terméken ezen időszak alatt bármilyen hiba jelentkezik anyag- és/vagy gyártási hiba miatt, kérjük, forduljon közvetlenül a VONROC kapcsolattartójához.

A szavatosság nem érvényes a következő körülmények egyikére sem:

- Nem hivatalos szervizközpontok javítást vagy módosítást végeztek (vagy megkíséreltek javítást vagy módosítást végezni) a gépen;
- Normál elhasználódás és kopás;
- A szerszámot szabálytalanul vagy nem rendeltetésszerűen használták, vagy a karbantartása nem volt megfelelő;
- Nem eredeti pótalkatrészeket használtak.

A jelen garancia a vállalat által (akár kifejezetten, akár hallgatólagosan) biztosított kizárólagos garancia.

Nem biztosítunk más garanciákat (sem kifejezett, sem beleértett garanciákat, ideértve az értékesíthetőségre és az adott célra való alkalmasságra vonatkozó hallgatólagos garanciákat is), amelyek a jelen garancia hatókörén túlmutatnak. A VONROC semmilyen esetben sem felelős semmilyen járulékos vagy következményes kárért. A forgalmazók jogorvoslati teendői az előírásoknak nem megfelelő egységek vagy alkatrészek javítására és cseréjére korlátozódnak.

A termék és a használati útmutató változtatásának jogát fenntartjuk. A műszaki adatok előzetes bejelentés nélkül változhatnak.

1. BEZPEČNOSTNÍ POKYNY

Přečtěte si přiložené bezpečnostní výstrahy, dodatečné bezpečnostní výstrahy a bezpečnostní pokyny. Nebudete-li dodržovat tyto bezpečnostní výstrahy a pokyny, může dojít k úrazu elektrickým proudem, k vzniku požáru nebo k vážnému zranění. Uschovejte tyto bezpečnostní výstrahy a pokyny pro budoucí použití.

V tomto návodu k obsluze a na tomto výrobku jsou použity následující symboly:



Přečtěte si návod k obsluze.



Upozorňuje na nebezpečí zranění osob, ztráty života nebo poškození nářadí, nebudou-li dodržovány pokyny uvedené v tomto návodu.



Nebezpečí úrazu elektrickým proudem.



Otáčení, doleva/doprava.



Výrobek třídy II – Dvojitá izolace – Není nutné použití uzemňovacího vodiče.



Vždy používejte ochranu zraku!



Noste pomůcky pro ochranu sluchu.



Tento výrobek je vyroben v souladu s platnými bezpečnostními normami, které jsou uvedeny ve směrnících EU.

ZÁKLADNÍ BEZPEČNOSTNÍ VÝSTRAHY PRO ELEKTRICKÉ NÁŘADÍ



VAROVÁNÍ! *Přečtěte si všechny bezpečnostní výstrahy a všechny pokyny. Nebudete-li dodržovat tyto bezpečnostní výstrahy a pokyny, může dojít k úrazu elektrickým proudem, ke vzniku požáru nebo k vážnému zranění.*

Uschovejte všechny bezpečnostní výstrahy a pokyny pro budoucí použití.

Pojem „elektrické nářadí“ v těchto varováních odkazuje na elektrické nářadí napájené z elektrické sítě (s napájecím kabelem) nebo z akumulátoru (bez napájecího kabelu).

- 1) **Bezpečnost pracovního prostoru**
 - a) **Udržujte pracoviště uklizené a dobře osvětlené.** Neuklizená nebo tmavá místa přivolávají nehody.
 - b) **Nepoužívejte elektrická nářadí ve výbušných prostředích, jako jsou místa s přítomností hořlavých kapalin, plynů nebo prachu.** V elektrickém nářadí dochází k jiskření, které může způsobit vznícení prachu nebo výparů.
 - c) **Při práci s tímto elektrickým nářadím udržujte děti a okolostojící osoby v bezpečné vzdálenosti.** Rozptylování může způsobit ztrátu kontroly nad nářadím.
- 2) **Elektrická bezpečnost**
 - a) **Zástrčka napájecího kabelu nářadí musí odpovídat zásuvce. Zástrčku nikdy žádným způsobem neupravujte. Nepoužívejte u uzemněného elektrického nářadí žádné adaptéry zástrček.** Neupravené zástrčky a odpovídající zásuvky snižují riziko úrazu elektrickým proudem.
 - b) **Vyvarujte se kontaktu s uzemněnými povrchy, jako jsou potrubí, radiátory, trouby a ledničky.** Dojde-li k uzemnění vašeho těla, hrozí zvýšené riziko způsobení úrazu elektrickým proudem.
 - c) **Nevystavujte elektrické nářadí dešti ani vlhkému prostředí.** Dostane-li se do elektrického nářadí voda, zvýší se riziko úrazu elektrickým proudem.
 - d) **Nezacházejte špatně s napájecím kabelem. Nikdy nepoužívejte napájecí kabel pro přenášení nebo tahání elektrického nářadí ani netahejte za tento kabel při vypořádání zástrčky ze zásuvky. Dbejte na to, aby tento kabel nepřecházel přes horké a mastné povrchy ani přes ostré hrany a aby se nedostal do kontaktu s pohyblivými se částmi.** Poškozené nebo zamotané kabely zvyšují riziko úrazu elektrickým proudem.
 - e) **Používáte-li elektrické nářadí venku, použijte prodlužovací kabel vhodný pro venkovní použití.** Použití prodlužovacího kabelu pro venkovní použití snižuje riziko úrazu elektrickým proudem.
 - f) **Musíte-li používat toto elektrické nářadí ve vlhkém prostředí, používejte v elektrickém obvodu proudový chránič (RCD).** Použití proudového chrániče (RCD) snižuje riziko úrazu elektrickým proudem.
- 3) **Bezpečnost osob**
 - a) **Při práci s tímto elektrickým nářadím buďte stále pozorní, sledujte, co provádíte, a používejte zdravý rozum. Nepoužívejte elektrické**

- nářadí, jste-li unaveni nebo jste-li pod vlivem drog, alkoholu nebo léků.** Nepozornost při práci s elektrickým nářadím může způsobit velmi nebezpečná zranění.
- b) **Používejte osobní ochranné prostředky. Vždy používejte ochranu zraku.** Ochranné prostředky, jako jsou maska proti prachu, neklouzavá pracovní ochranná obuv, pevná přilba nebo chrániče sluchu, které jsou používány v příslušných podmínkách, zmenšují riziko způsobení zranění osob.
- c) **Zabraňte náhodnému spuštění nářadí. Před připojením elektrického nářadí k napájecímu zdroji nebo před vložením akumulátoru do nářadí také před zvednutím nářadí nebo před jeho přenášením se ujistěte, zda je vypínač na nářadí v poloze vypnuto.** Přenášení elektrického nářadí s prstem na vypínači nebo připojení elektrického nářadí ke zdroji elektrické energie, když je vypínač v poloze zapnuto, zvyšuje pravděpodobnost vzniku nehod.
- d) **Před zapnutím elektrického nářadí vždy odstraňte všechny klíče a seřizovací přípravky.** Klíče nebo seřizovací přípravky ponechané na rotující části elektrického nářadí mohou způsobit zranění osob.
- e) **Nepřeceňujte své síly. Vždy udržujte správný postoj a rovnováhu.** Tak si zachováte lepší kontrolu nad nářadím v neočekávaných situacích.
- f) **Vhodně se oblékejte. Nenoste volný oděv ani šperky. Udržujte vlasy, oblečení a rukavice v bezpečné vzdálenosti od všech pohyblivých částí.** Volný oděv, šperky nebo dlouhé vlasy mohou být zachyceny pohyblivými se částmi.
- g) **Jsou-li zařízení vybavena adaptérem pro připojení odsávacího systému, ujistěte se, zda je odsávací zařízení správně připojeno a zda správně plní svoji funkci.** Použití odsávání prachu může snížit rizika spojená prací v prašném prostředí.
- h) **Nedovolte, aby jistota získaná častým používáním nářadí vedla ke snížení vaší pozornosti a ignorování zásad bezpečné práce s nářadím.** Chvilková nepozornost může během zlomku sekundy způsobit vážné zranění.
- 4) Použití elektrického nářadí a jeho údržba**
- a) **Nepřetěžujte elektrické nářadí. Používejte pro prováděnou práci správné elektrické nářadí.** Správné elektrické nářadí provede práci lépe a bezpečněji, je-li použito pro práce, pro které je určeno.
- b) **Nepoužívejte elektrické nářadí, nepracuje-li správně jeho spouštěcí spínač.** Elektrické nářadí, které nelze ovládat pomocí spouštěcího spínače, je velmi nebezpečné a musí být opraveno.
- c) **Před prováděním jakéhokoliv seřízení, před výměnou příslušenství nebo před uložením odpojte napájecí kabel nářadí od napájecího zdroje nebo z nářadí vyjměte akumulátor.** Tato preventivní bezpečnostní opatření snižují riziko náhodného spuštění elektrického nářadí.
- d) **Uložte nepoužívané elektrické nářadí mimo dosah dětí a nedovolte osobám, které nejsou obeznámeny s tímto nářadím nebo s těmito pokyny, aby toto elektrické nářadí používaly.** Elektrické nářadí je v rukách neproškolených osob nebezpečné.
- e) **Provádějte údržbu elektrického nářadí. Zkontrolujte nevyrovnaní nebo vážnutí pohyblivých částí, poškození součástí a jiné stavy, které by mohly mít vliv na správnou funkci nářadí. Je-li elektrické nářadí poškozeno, zajistěte jeho opravu dříve, než ho použijete.** Mnohé nehody bývají způsobeny nedostatečnou údržbou elektrického nářadí.
- f) **Udržujte řezné nástroje ostré a čisté.** U správně udržovaných řezných nástrojů s ostrými řeznými břity je menší pravděpodobnost jejich zablokování a lépe se s nimi pracuje.
- g) **Používejte elektrické nářadí, příslušenství, pracovní nástroje atd. v souladu s těmito pokyny a berte v úvahu pracovní podmínky a práci, která má být provedena.** Použití elektrického nářadí pro práce, pro které není určeno, může vést k nebezpečným situacím.
- h) **Dbejte na to, aby byly rukojeti a úchopné povrchy suché, čisté a zbavené olejů a maziv.** Kluzké rukojeti a úchopné plochy neumožňují bezpečnou manipulaci a ovládání nářadí v neočekávaných situacích.
- 5) Servis**
- a) **Svěřte opravu svého elektrického nářadí pouze osobě s příslušnou kvalifikací, která bude používat výhradně originální náhradní díly.** Tím zajistíte bezpečný provoz tohoto elektrického nářadí.

DOPLŇKOVÁ BEZPEČNOSTNÍ VAROVÁNÍ PRO RÁZOVÉ UTAHOVÁKY

1. **Při provádění prací, během nichž se mohou upevňovací prvky dostat do kontaktu se skrytou elektroinstalací, držte toto elektrické nářadí za izolované plochy určené pro úchop.** Upevňovací prvky, které se dostanou do kontaktu s „živým“ vodičem, mohou způsobit, že nechráněné kovové části elektrického nářadí budou také „živé“, což může způsobit úraz obsluhy elektrickým proudem.
2. **Při příklepovém vrtání používejte ochranu sluchu.** Nadměrná expozice hluku může mít za následek ztrátu sluchu.
3. **Před nasazením pečlivě zkontrolujte rázovou objímku, zda není opotřebovaná, prasklá nebo poškozená.**
4. **Držte nářadí pevně.**
5. **Před použitím toto nářadí řádně zapřete.** Toto nářadí vytváří vysoký výstupní moment a bez řádného zapření nářadí během jeho použití může dojít ke ztrátě kontroly, která může způsobit zranění osob.
6. **Udržujte ruce v dostatečné vzdálenosti od pohyblivých částí.**
7. **Nedotýkejte se rázové objímky, šroubu, matice ani obrobku bezprostředně po použití.** Mohou být velmi horké a mohly by vám popálit pokožku.
8. **Před odložením nářadí vždy počkejte, dokud nedojde k jeho úplnému zastavení.** Používaný nástroj se může zaseknout a způsobit ztrátu kontroly nad elektrickým nářadím.
9. **Vždy udržujte pevný postoj.** Při používání nářadí ve výškách se ujistěte, že se pod vámi nikdo nenachází.
10. **Správný utahovací moment se může lišit v závislosti na druhu nebo velikosti šroubu.** Zkontrolujte utahovací moment momentovým klíčem.
11. **Ujistěte se, že v pracovním prostoru nejsou žádné elektrické kabely, vodovodní potrubí, plynové potrubí atd., které by mohly představovat nebezpečí v případě poškození při používání nářadí.** Pomocí vhodných detektorů zjistíte, zda se v něm nenachází skryté elektrické vedení, nebo požádejte o pomoc místní energetickou společnost.

Elektrická bezpečnost



Vždy zkontrolujte, zda se napájecí napětí sítě shoduje s napájecím napětím na výkonovém štítku.

- Nepoužívejte tento výrobek, je-li poškozen jeho napájecí kabel nebo zástrčka.
- Používejte pouze prodlužovací kabely, které jsou vhodné pro příkon tohoto zařízení a které mají minimální průřez 1,5 mm². Budete-li používat prodlužovací kabel na cívce, vždy odmotejte celý kabel.
- Je-li napájecí kabel tohoto elektrického nářadí poškozen, musí být vyměněn za speciálně připravený napájecí kabel, který je dostupný prostřednictvím servisní organizace.

2. INFORMACE O ZAŘÍZENÍ

Zamýšlené použití

Toto nářadí je určeno k šroubování a povolování vrtutí a šroubů a také k utahování a povolování matic při dodržení stanovených specifikací. Hlavním předpokládaným prostředím používání je oprava a údržba automobilů, kovové konstrukce nebo pokrývačské práce. Toto zařízení není určeno pro vrtání.

TECHNICKÉ ÚDAJE

Model č.	IW504AC
Napětí	230-240V
Kmitočet	50Hz
Třída ochrany	Třída II
Otáčky naprázdno	2300/min
Počet rázů naprázdno	0-3000/min
Upínací hlava	1/2" square chuck
Max. moment	600Nm
Hmotnost	4,4 kg
Akustický tlak LPA	88 dB(A) K=3 dB(A)
Akustický výkon LWA	99 dB(A), K=3dB(A)
Vibrace	10,32 m/s ² K=1,5 m/s ²

Úroveň vibrací

Deklarovaná úroveň vibrací uvedená v tomto návodu byla měřena v souladu se standardní zkušební metodou předepsanou normou EN 62841-1 a EN 62841-2-2. Tato úroveň vibrací může být použita pro srovnání jednotlivých nářadí mezi sebou a také při předběžném posouzení působících vibrací při používání nářadí při uvedených aplikacích.

- Použití tohoto nářadí pro jiné aplikace nebo s odlišným nebo špatně udržovaným příslušenstvím může značně zvýšit působení vibrací.

- Doba, kdy je nářadí vypnuto nebo kdy je v chodu, ale aktuálně nevykonává žádnou práci, může působení vibrací značně zmírnit.
- Emise vibrací a hluku při skutečném používání elektrického nářadí se mohou lišit od deklarovaných hodnot v závislosti na způsobu použití nářadí, zejména na tom, jaký druh obrobku je zpracován
- Je nutné určit bezpečnostní opatření na ochranu obsluhy, která jsou založena na odhadu expozice v aktuálních podmínkách používání (s ohledem na všechny části pracovního cyklu, jako jsou doby, kdy je toto nářadí vypnuto a kdy je v chodu naprázdno).

Chraňte se před působením vibrací prováděním řádné údržby tohoto nářadí i jeho příslušenství, udržujte ruce v teple a provádějte práci správným způsobem.

POPIS

Čísla v následujícím textu odkazují na obrázky na stranách 2-3.

1. Nářadí
2. Hlavní rukojeť
3. Napájecí kabel
4. Spínač otáčení doprava
5. Spínač otáčení doleva
6. Kovové pouzdro s pryžovým krytem (k použití jako pomocná rukojeť)
7. 1/2" (12,7mm) čtvercová hlava

3. SESTAVENÍ

Nasazení a sejmutí příslušenství



Používejte pouze 1/2" rázové příslušenství (12,7 mm). Nerázové příslušenství se může zlomit a způsobit nebezpečnou situaci. Před použitím příslušenství zkontrolujte, abyste se ujistili, že nemá žádné praskliny.

- Vypněte nářadí
- Stáhněte objímku z upínací hlavy (7), pokud je nasazená.
- Zacvakněte novou objímku na upínací hlavu (7).
- Zkontrolujte, zda je objímka pevně zajištěná.
- Chcete-li objímku odstranit, jednoduše ji stáhněte.

4. POUŽITÍ

Zapnutí a vypnutí nářadí a volba směru otáčení (obr. A)

Kolébkový přepínač slouží k aktivaci nářadí a k volbě směru otáčení.

- Po stisknutí spínače pro otáčení doprava (4) se bit začne točit ve směru vpřed pro utahování šroubů/matic. Když spínač otáčení doprava (4) uvolníte, otáčení se zastaví.
- Po stisknutí spínače pro otáčení doleva (5) se bit začne točit ve směru vzad pro povolování šroubů/matic. Když spínač otáčení doleva (5) uvolníte, otáčení se zastaví.



Odkládejte toto nářadí pouze v případě, je-li zcela zastaveno. Nepokládejte toto nářadí na prašný povrch, protože by se do mechanismu nářadí mohl dostat prach.

Optimální použití

- Jsou-li šrouby/matice velmi utažené nebo zrezivělé, nejprve je mírně povolte pomocí vhodného klíče na kola.
- Důrazně doporučujeme používat rázový šroubovák pouze k povolování šroubů/matic. Chcete-li rázový šroubovák používat k utahování šroubů a matic, musíte také použít omezovač utahovacího momentu, který je k tomu určen. Pokud ne, může dojít k poškození šroubového spojení. Omezovač utahovacího momentu je k dispozici ve specializovaných prodejnách nebo u dodavatelů nářadí. Před utažením opatrně nasadte šroub/matici na závit.
- U specifických aplikací, jako je například automobilový průmysl, je požadováno utažení šroubů/matic určitým utahovacím momentem. Ten uvádí výrobce vozidla například v návodu. Vždy pečlivě dodržujte tyto pokyny. Utahovací moment lze nastavit například pomocí omezovače utahovacího momentu nebo momentového klíče (např. Vonroc TW501XX).

5. ÚDRŽBA



Před čištěním a prováděním údržby vždy stroj vypněte a vypojte zástrčku napájecího kabelu ze síťové zásuvky.

Pravidelně čistěte kryt náradí jemným hadříkem, ideálně po každém použití. Ujistěte se, že nejsou větrací otvory zaneseny prachem nebo jinými nečistotami. Odolnější nečistoty odstraňte pomocí jemného hadříku navlhčeného v mýdlové pěně. Nepoužívejte žádná rozpouštědla, jako je benzín, líh, čpavek atd. Takové chemické látky mohou způsobit poškození dílů z umělé hmoty.

OCHRANA ŽIVOTNÍHO PROSTŘEDÍ



Poškozená a likvidovaná elektrická nebo elektronická zařízení musí být odevzdána ve sběrných dvorech, které jsou určeny pro tento účel.

Pouze pro země EU

Nevyhazujte elektrická náradí do běžného domácího odpadu. Podle evropské směrnice 2012/19/EC týkající se likvidace elektrických a elektronických zařízení a její implementace do vnitrostátního práva, musí být nepoužívaná elektrická náradí shromažďována odděleně a jejich likvidace musí být provedena tak, aby nedošlo k ohrožení životního prostředí.

ZÁRUKA

Výrobky VONROC jsou vyvíjeny v souladu s požadavky norem na nejvyšší kvalitu a je zaručeno, že po dobu platné záruky, která začíná běžet dnem původního nákupu, nebudou na těchto výrobcích žádné vady materiálu, ani vady způsobené špatným dílenským zpracováním. Dojde-li během tohoto období k závadě v důsledku vady materiálu nebo dílenského zpracování, kontaktujte přímo firmu VONROC.

Z této záruky jsou vyloučeny následující případy:

- Opravy nebo úpravy tohoto zařízení byly provedeny nebo byly provedeny pokusy o jejich provedení v neautorizovaných servisech;
- Běžné opotřebení;
- Toto zařízení bylo nesprávně použito, nevhodně použito nebo nebyla prováděna jeho správná údržba;
- Byly použity neoriginální náhradní díly.

Výše uvedené představuje jedinou záruku poskytovanou společností, ať už výslovnou nebo předpokládanou. Neexistují žádné další záruky, výslovné

ani nebo předpokládané, které přesahují rámec zde uvedeného, včetně předpokládaných záruk prodejnosti a vhodnosti pro určitý účel. VONROC v žádném případě neodpovídá za jakékoliv náhodné ani následné škody. Opravné prostředky prodejců se omezují výhradně na opravu nebo výměnu nevyhovujících jednotek nebo dílů.

Na tomto výrobku a v tomto návodu mohou být prováděny změny. Specifikace mohou být změněny bez dalšího upozornění.



DECLARATION OF CONFORMITY IW504AC – IMPACT WRENCH

- (EN) We declare under our sole responsibility that this product is in conformity with directive 2011/65/EU of the European parliament and of the council of 8 June on the restriction of the use of certain hazardous substances in electrical and electronic equipment is in conformity and accordance with the following standards and regulations:
- (DE) Der Hersteller erklärt eigenverantwortlich, dass dieses Produkt der Richtlinie 2011/65/EU des Europäischen Parlaments und des Rats vom 8. Juni 2011 über die Einschränkung der Anwendung von bestimmten gefährlichen Stoffen in elektrischen und elektronischen Geräten entspricht. den folgenden Standards und Vorschriften entspricht:
- (NL) Wij verklaren onder onze volledige verantwoordelijkheid dat dit product voldoet aan de conform Richtlijn 2011/65/EU van het Europees Parlement en de Raad van 8 juni 2011 betreffende beperking van het gebruik van bepaalde gevaarlijke stoffen in elektrische en elektronische apparatuur en in overeenstemming is met de volgende standaarden en reguleringen:
- (FR) Nous déclarons sous notre seule responsabilité que ce produit est conforme aux standards et directives suivants: est conforme à la Directive 2011/65/UE du Parlement Européen et du Conseil du 8 juin 2011 concernant la limitation d'usage de certaines substances dangereuses dans l'équipement électrique et électronique.
- (ES) Declaramos bajo nuestra exclusiva responsabilidad que este producto cumple con las siguientes normas y estándares de funcionamiento: se encuentra conforme con la Directiva 2011/65/UE del Parlamento Europeo y del Consejo de 8 de junio de 2011 sobre la restricción del uso de determinadas sustancias peligrosas en los equipos eléctricos y electrónicos.
- (IT) Dichiariamo, sotto la nostra responsabilità, che questo prodotto è conforme alle normative e ai regolamenti seguenti: è conforme alla Direttiva 2011/65/UE del Parlamento Europeo e del Consiglio dell'8 giugno 2011 sulla limitazione dell'uso di determinate sostanze pericolose nelle apparecchiature elettriche ed elettroniche.
- (SV) Vi garanterar på eget ansvar att denna produkt uppfyller och följer följande standarder och bestämmelser: uppfyller direktiv 2011/65/EU från Europeiska parlamentet och EG-rådet från den 8 juni 2011 om begränsningen av användning av farliga substanser i elektrisk och elektronisk utrustning.
- (DA) Vi erklærer under eget ansvar, at dette produkt er i overensstemmelse med følgende standarder og bestemmelser: er i overensstemmelse med direktiv 2011/65/EU fra Europa-Parlamentet og Rådet af 8. juni 2011 om begrænsning af anvendelsen af visse farlige stoffer i elektrisk og elektronisk udstyr.
- (PL) Deklarujemy na własną odpowiedzialność, że ten produkt spełnia wymogi zawarte w następujących normach i przepisach: jest zgodny z Dyrektywą 2011/65/UE Parlamentu Europejskiego i Rady z dnia 8 czerwca 2011 r. w sprawie ograniczenia stosowania niektórych niebezpiecznych substancji w sprzęcie elektrycznym i elektronicznym.
- (RO) Declărăm prin aceasta cu răspunderea deplină că produsul acesta este în conformitate cu următoarele standarde sau directive: este în conformitate cu Directiva 2011/65/UE a Parlamentului European și a Consiliului din 8 iunie 2011 cu privire la interzicerea utilizării anumitor substanțe periculoase la echipamentele electrice și electronice.
- (PT) Declaramos, sob nossa exclusiva responsabilidade, que este produto está em conformidade com a directiva 2011/65/UE do Parlamento Europeu e com a do conselho de 8 de Junho sobre a restrição da utilização de determinadas substâncias perigosas em equipamento eléctrico e electrónico está em conformidade e de acordo com as seguintes normas e regulamentações:
- (HU) Kizárólagos felelősségünk tudatában kijelentjük, hogy a termék megfelel az Európai Parlamentnek és a Tanácsnak az egyes veszélyes anyagok elektromos és elektronikus berendezésekben való alkalmazásának korlátozásáról szóló 2011/65/EU irányelvének (június 8.), valamint a következő szabványoknak és jogszabályoknak:
- (CS) Prohlašujeme na svou výhradní odpovědnost, že tento výrobek splňuje požadavky směrnice 2011/65/EU Evropské rady a parlamentu ze dne 8. června, která se týká omezení používání určitých nebezpečných látek v elektrických a elektronických zařízeních, a splňuje také všechny požadavky následujících norem a předpisů:

EN 62841-1, EN 62841-2-2, EN 55014-1, EN 55014-2, EN 61000-3-2, EN 61000-3-3,, 2006/42/EC, 2011/65/EU, 2012/19/EU, 2014/30/EU

Zwolle, 01-07-2022

H.G.F Rosberg
CEO

VONROC • Lingenstraat 6 • 8028 PM Zwolle • The Netherlands



VONROC®
BUILD YOUR FUTURE

©2022 VONROC
WWW.VONROC.COM

2207-12