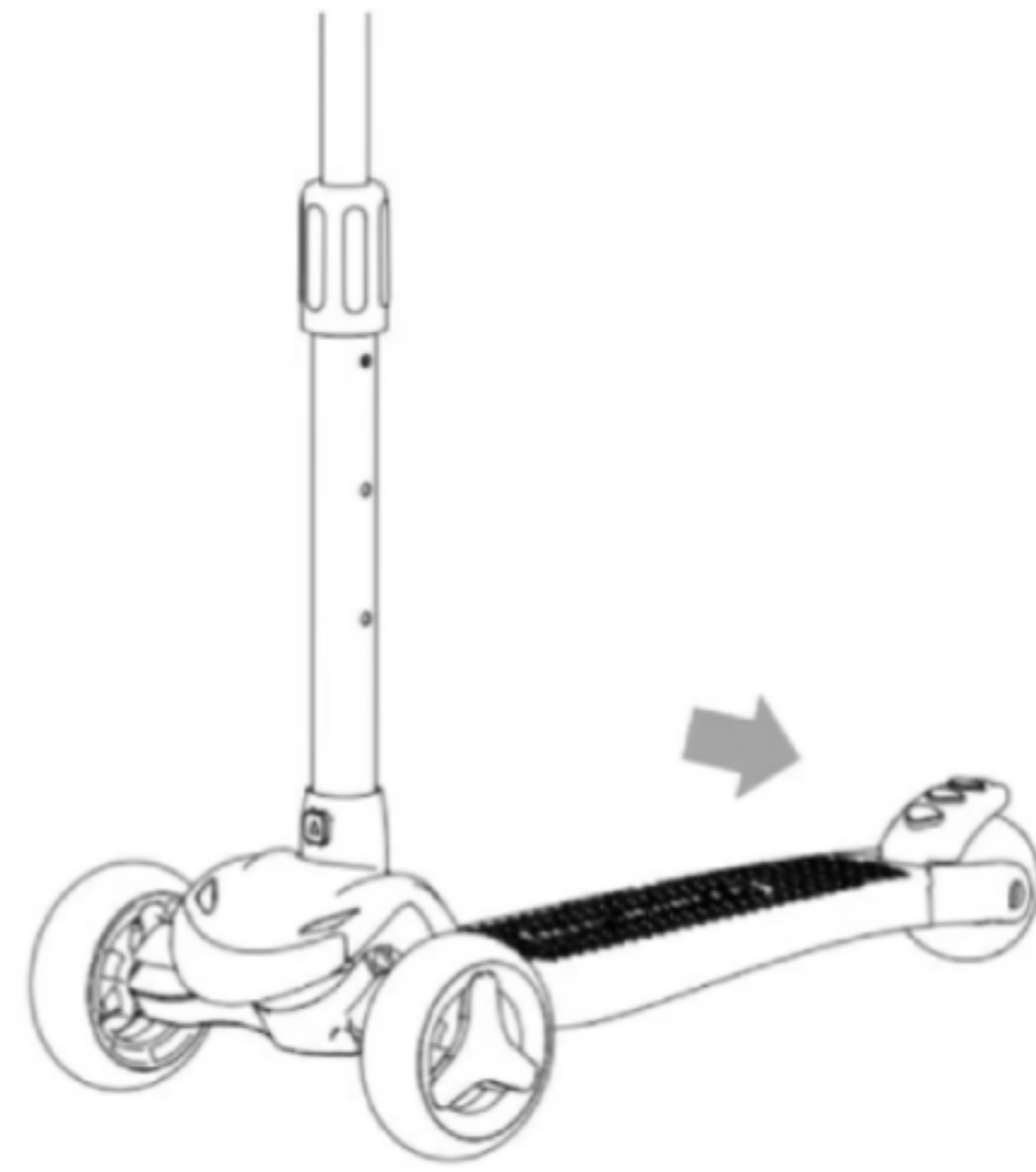


INSTRUCTION

How to Stop

- For controlled stops, apply the brake by stepping on the rear brake pedal.
- Recommends that you practice applying the brake at various speeds and in an open area free from obstruction before your scooter around others.



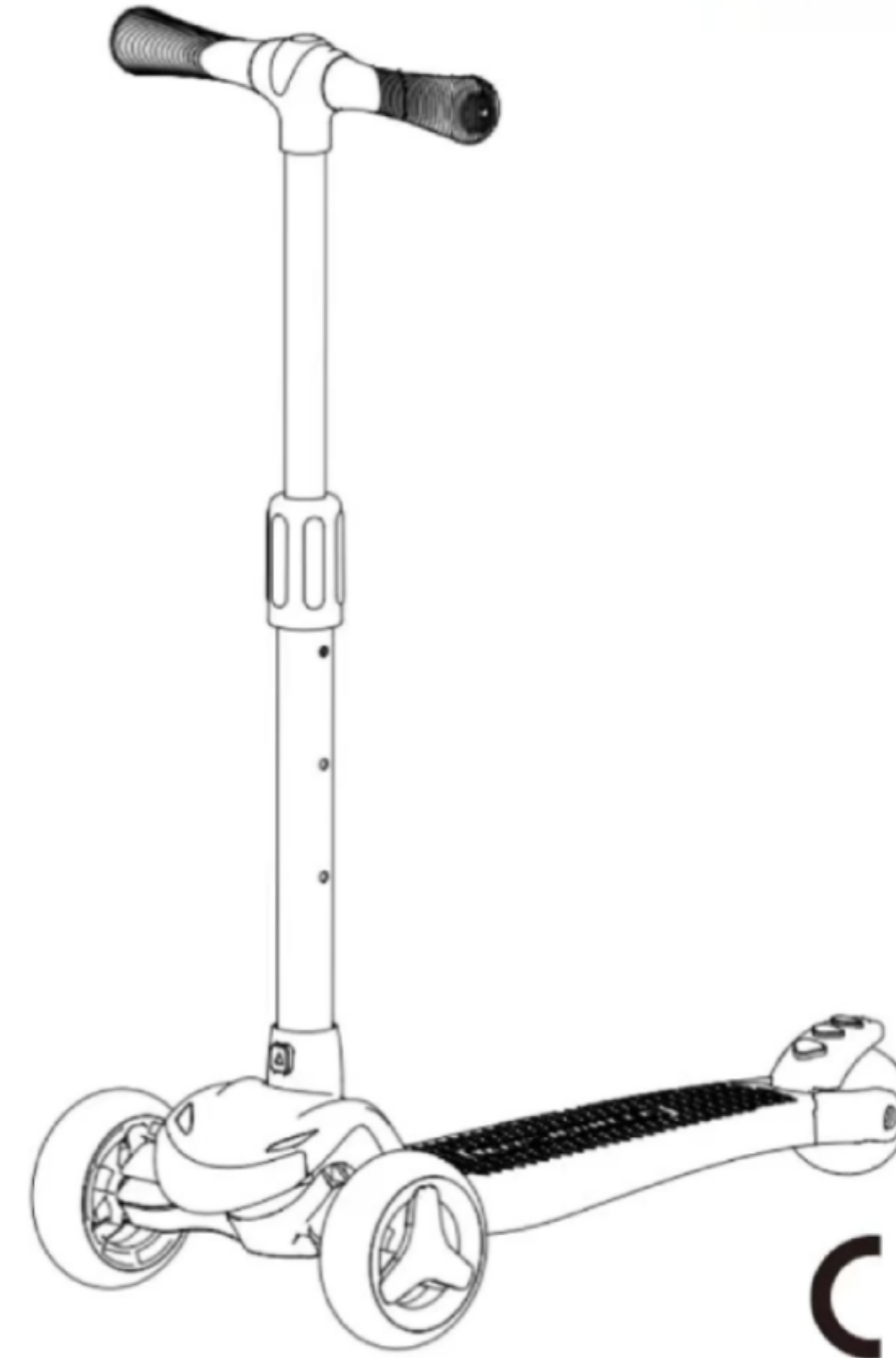
REMINDER

THE BASIC SAFETY RULES

- Choose places where you use the skateboard appropriately to your skills, avoid pavements and streets where you can meet other road users.
- Avoid unsuitable surfaces. Ride on flat, clean and dry roads.
- Avoid riding after dark.
- Pay attention to the general condition of scooter.
- Always follow the road safety rules.

SUOTU Kinderstep

YT3-20

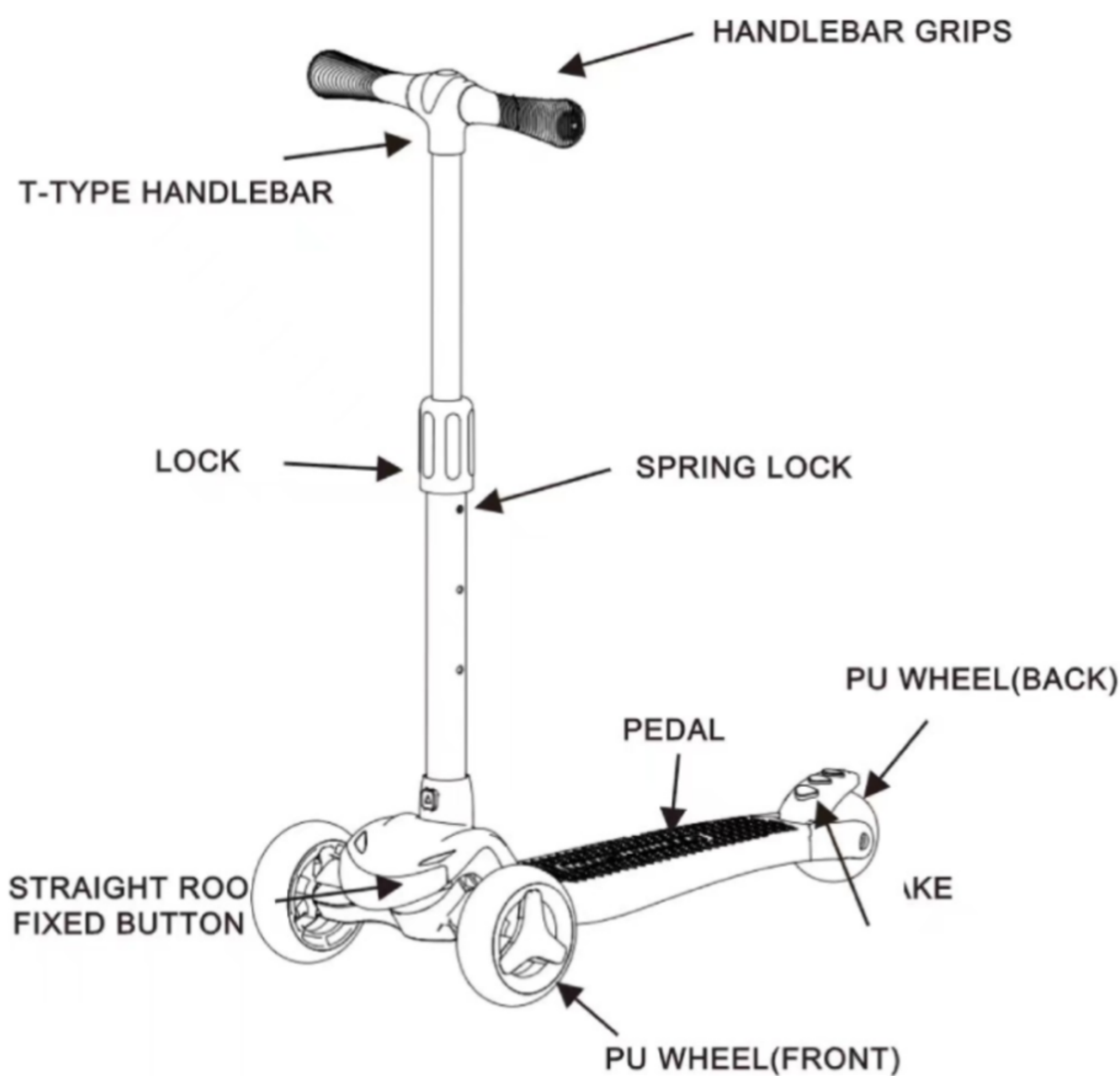


CE EN71 RoHS

Read and understand this entire manual before allowing child to use this products!

NOTE: Manual illustrations are for demonstration purpose only. illustrations may not reflect exact apperance of actual product. Specifications subject to change without notice.

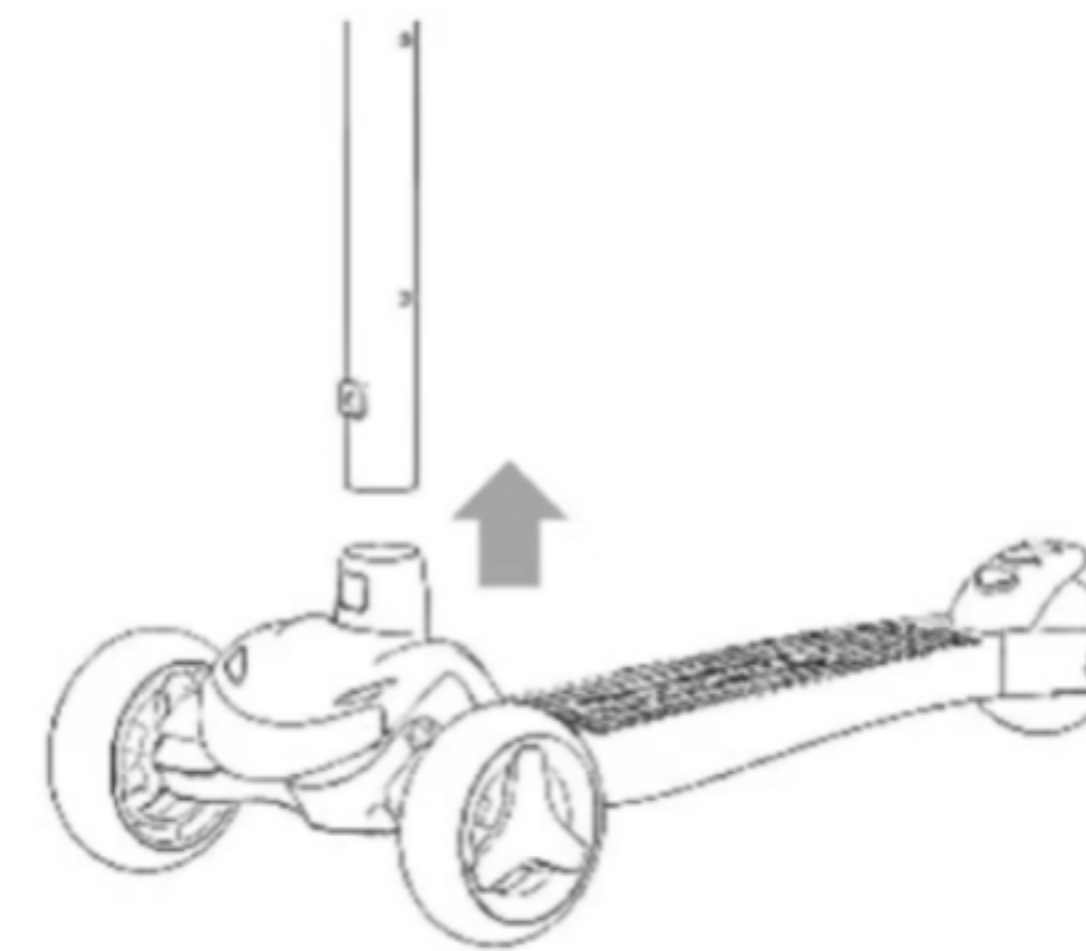
BEFORE YOU BEGIN



Waring. Protective equipment should be worn. Not to be used in traffic. 50 kg max.

The toy shall be used with caution, since skill is required to avoid falls or collisions causing injury to the user or third partes.

INSTRUCTION



1. Assemble
Step one:
 Press the button.
Step two:
 Press the button to inse the handlebar, when you click, it indicates that has been installed.
Note: If the lock does not pops up, please press again till its pops up.

2. Disassemble
Step one:
 Press the button.
Step two:
 Press the handle bar lock and pull out.

Adjustment Handlebar Height

- Turn the lock counterclockwise to release the lock
- Press the height adjustment button, Move the handle height,
- Then check the button pops out of the height adjustment hole.
- Turn the loose latch clockwise to tighten it.
- Please confirm the handle is fixed before use.



Note: Be careful not to over-tighten and you should always be able to open and lock the top stem by hand