

Installers & User guide **Keypad.**

Welcome!

This guide will get you up and running with your Keypad.
In the meantime, you should follow us on Facebook and Youtube!



Like us on Facebook



Visit our Youtube

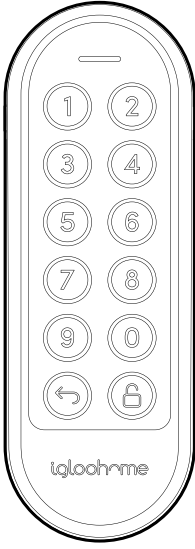


As our igloohome app is frequently updated, there may be changes to this manual.
Please refer to our website igloohome.co/support for the latest version of the manual.

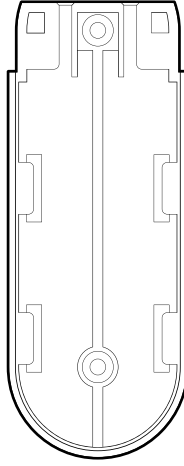
Table of Contents

What's Included	4
Specifications	5
Keypad Anatomy	6
Features	7
Installing / Replacing Batteries	9
App Onboarding	10
Installation Instructions	11
Unlocking	14
Locking	15
Keypad Behavior	16
Compatible igloohome Locks	17
Audio and LED Indications	18
Troubleshoot	29

What's Included



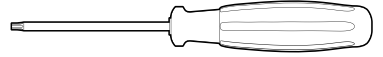
Keypad



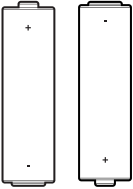
**Mounting Plate
(with adhesive tape)**



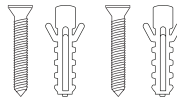
Torx Screws x2



Torx Screwdriver



AA Alkaline Batteries x2



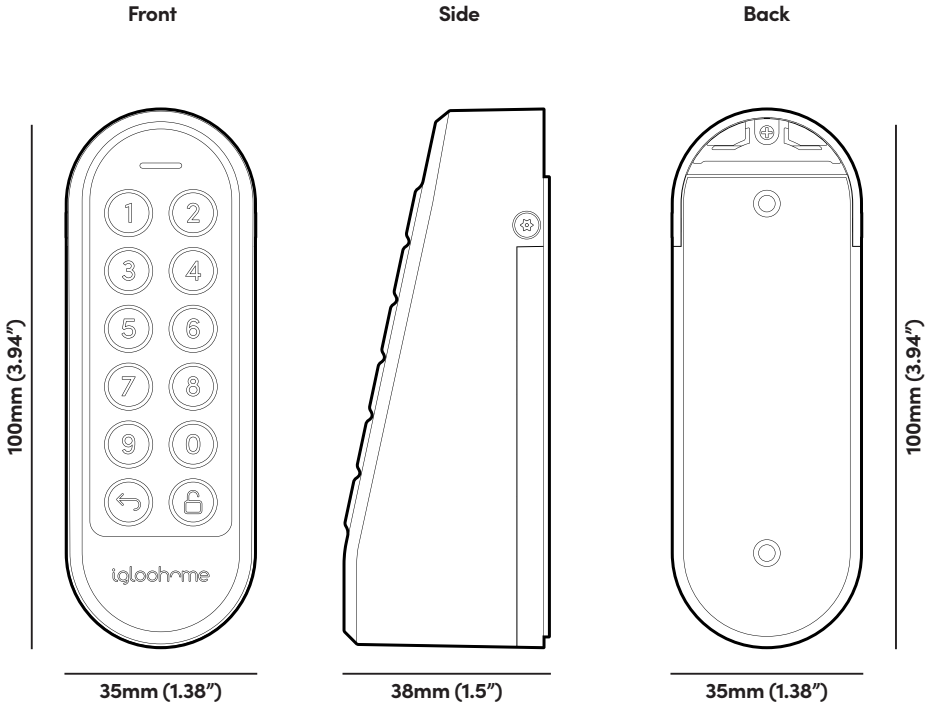
Mounting Screws and Anchors



Battery Cover Screw x1

Specifications

Model	Keypad
Battery Type	2 x AA* Alkaline Batteries
Battery Life	Up to 12 months
Operation Temp	-20°C to 50°C
IP Rating	IP66
Material	ABS, PC, Silicone
Weight	Net: kg, Gross: kg



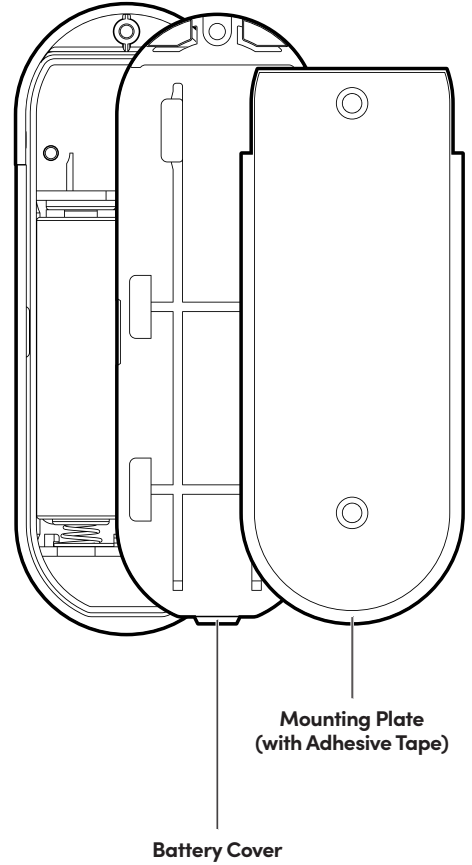
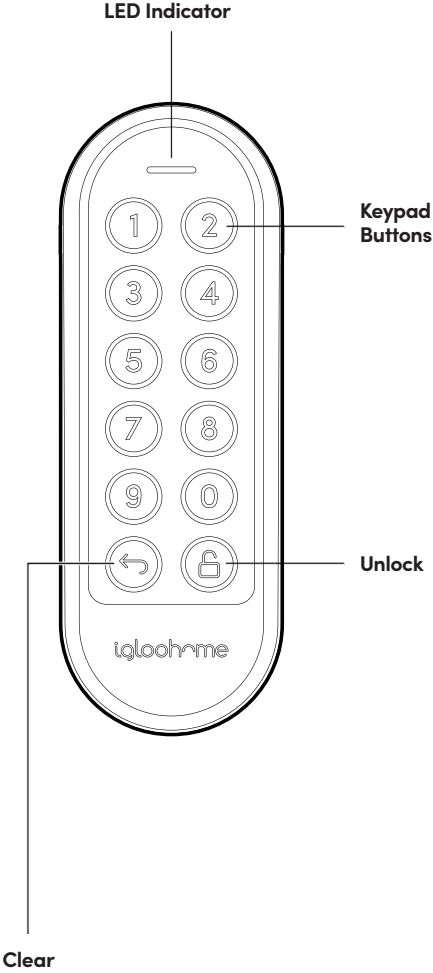
* **DO NOT USE:** Heavy Duty, Eveready, GP, or rechargeable batteries. Duracell, Energizer and Panasonic alkaline batteries recommended. Please note that using better batteries will improve the performance and lifespan of the keypad.

User Guide

Keypad Anatomy

Front

Back



Features

Lock / Unlock



Master PIN Code

The Keypad unlocks with a permanent Master PIN Code.



User PIN Code

The igloohome mobile app can generate multiple types of User Pin codes, e.g. One-Time, Permanent, Recurring & Duration.



Manual Relock

User can press and hold the “unlock” icon on the keypad to trigger manual locking on all linked locks.

Battery



Low Battery Alert

An intuitive audio and LED alert will prompt you to change the batteries when it runs low.

Features

Security / Alarms



Security Lockout

Keypad is disabled after several incorrect access attempts to ensure your property is always secure. User can configure number of incorrect attempts to trigger lockout.



Activity Logs

PIN Code entries will be logged in the app. PIN Code activity logs are updated when the Keypad is synced with the app.



Decoy PIN Code

Heighten security and throw off onlookers by entering random digits before your actual PIN code.

Others



Compatible across multiple locks

The Keypad is compatible with selected igloohome locks.

**Selected lock models are listed in specifications.*



Pairs up to 5 locks

Unlock multiple devices simultaneously with one PIN code.

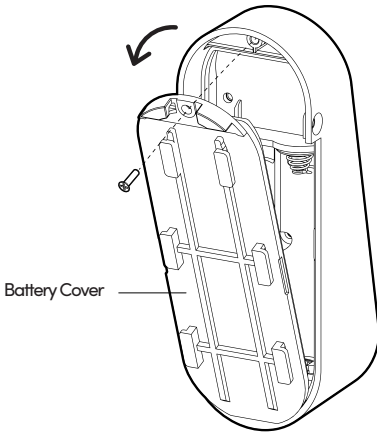


Volume Control

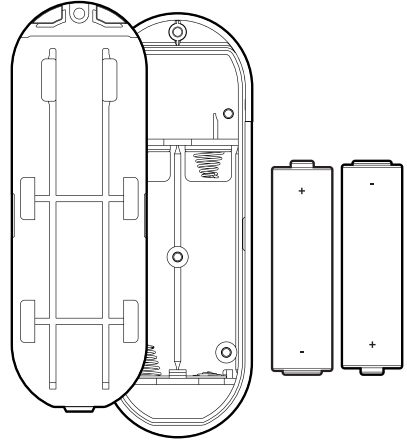
Volume is adjustable to your preference. Select from 0 (mute) to 5 (loudest).

Installing/Replacing Batteries

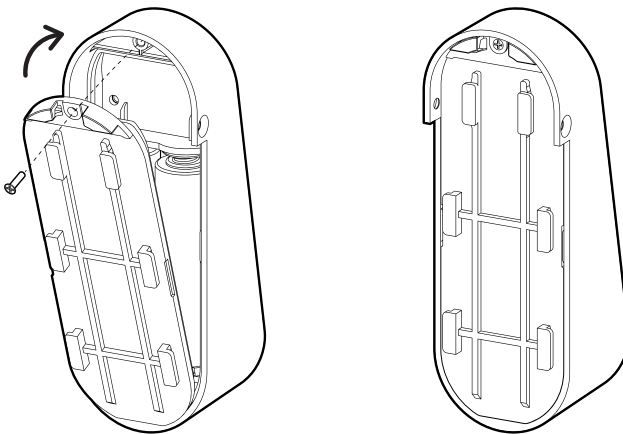
- 1** Remove the screw and pull out the battery cover.



- 2** Install or replace with 2 new AA alkaline batteries.



- 3** Put the battery cover back and secure with the screw.




App Onboarding

1 Register as a Lock User

- a) Download the igloohome app from App store / Play store.
 - b) Create an account and login.
-

3 Pairing

The Keypad is designed to work with igloohome locks. Please ensure you have paired your locks to your igloohome account before starting the pairing process for your Keypad.

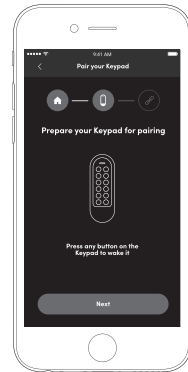
- a) Under , go to **[Add and Manage]**, select **[Keypads]**, and tap the **[+]** sign at the top right corner and follow the instructions.

Creating a link between the Keypad and lock(s)

- a) Follow the steps shown in the app after the pairing process is completed.

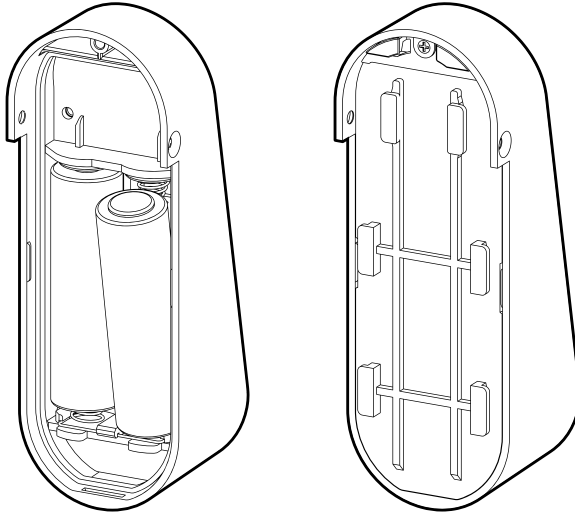
Alternatively,

- b) Go to **[Settings]**, tap on **[Linked Locks & Devices]**, and tap the **[+]** sign to create a link between your Keypad and locks.
-



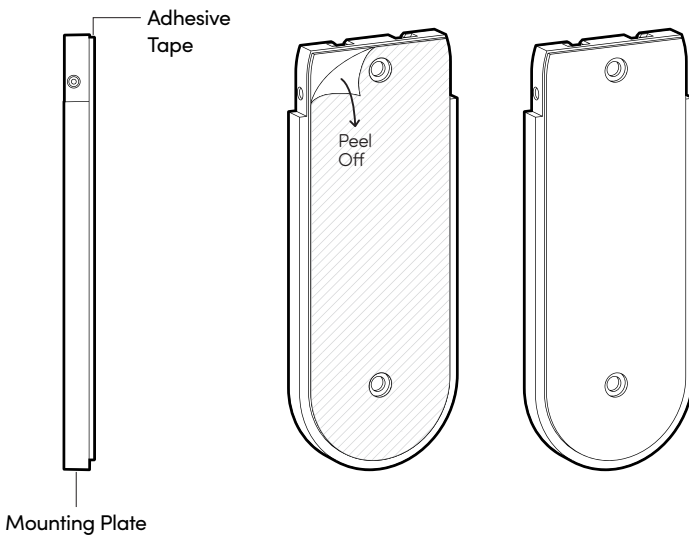
Installation Instructions

- 1 Ensure keypad has batteries



- 2 Peel off the backing of the adhesive on the back of the mounting plate.

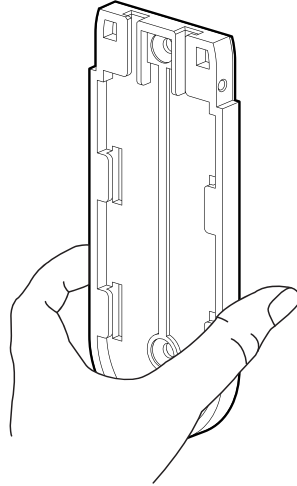
Side View



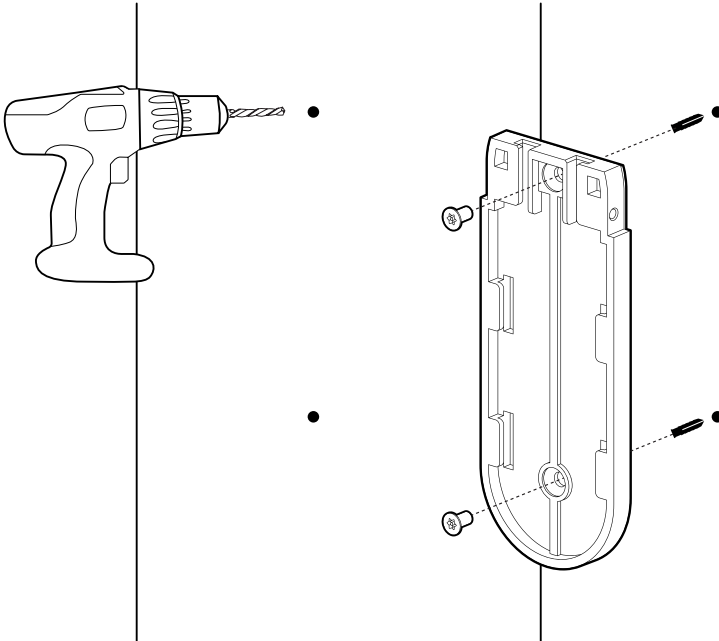
3 Mounting the Keypad

Press the mounting plate against the wall/surface where you want to install the Keypad. Ensure the location is within Bluetooth range of the locks you intend to pair it with.

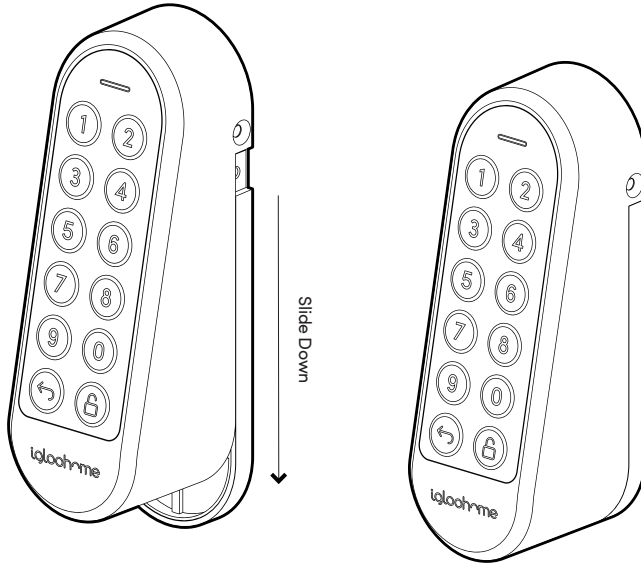
*Before mounting, it is recommended that the Keypad is paired and tested with the locks you want to link to, at the desired installation location.



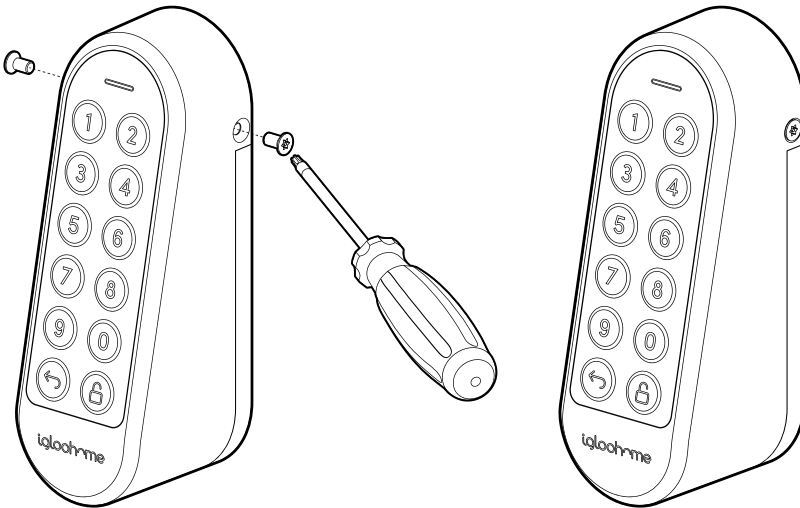
4 Drill the mounting bracket into the wall with the provided screw and screw anchor.



5 Slide the Keypad onto the mounting plate.




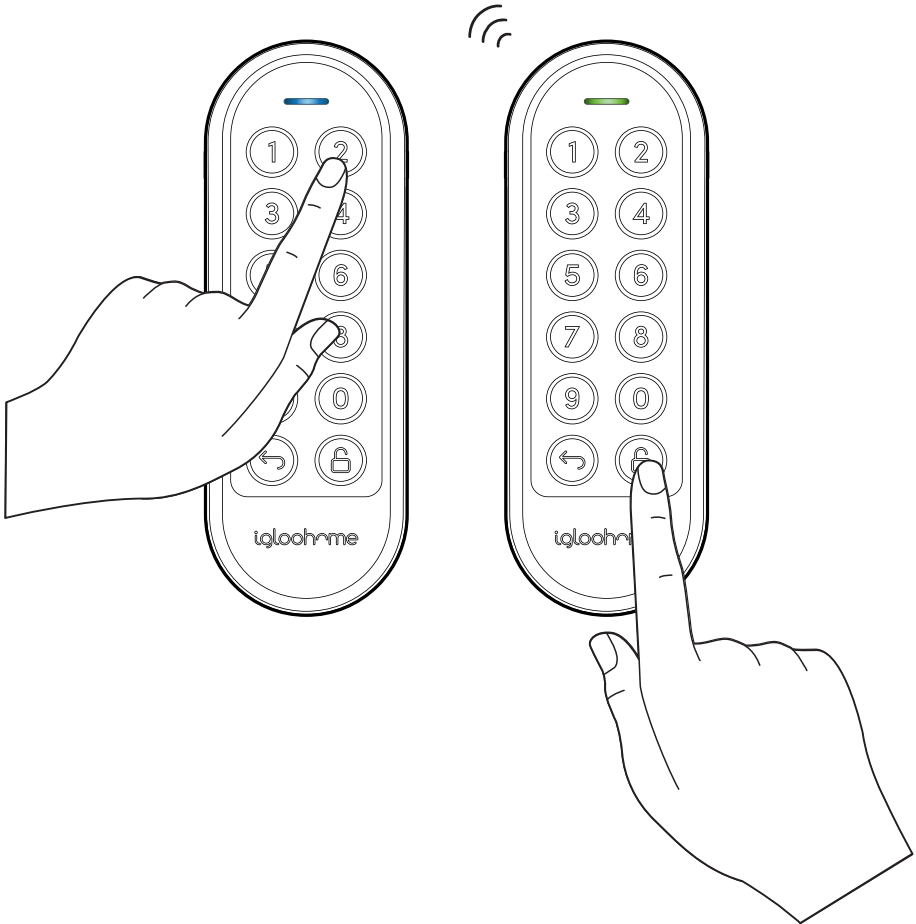
6 Secure the Keypad to the mounting plate with the Torx screws and Torx screwdriver provided.



Unlocking

a Unlock

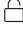
1. Key in a valid PIN code (with or without decoy digits), followed by the  button. LED indicator will start flashing blue.
2. Paired lock(s) within Bluetooth range (up to 5) will unlock, and LED Indicator will turn green with 4 short ascending tones.

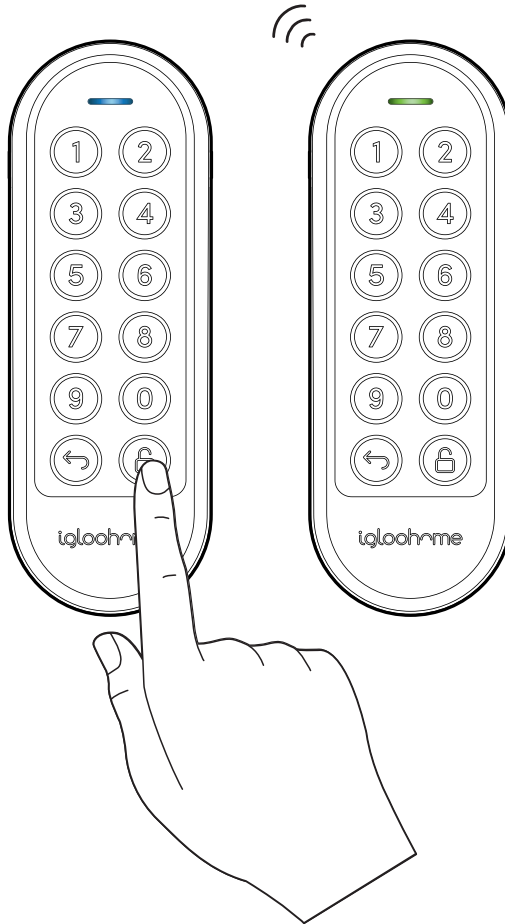


Locking



Lock

1. Press and hold the  button on the Keypad until LED Indicator starts flashing blue.
2. Paired lock(s) within Bluetooth range (up to 5) will lock once the LED Indicator turns green with a single beep.



Keypad Behaviour

1 Security Lockout

After several invalid PIN code entries on the keypad, the security alarm will be triggered and the keypad will be not any PINs for a period of time.

Security Lockout	
Triggered by	5 consecutive PIN Code attempts by default (Configurable via the igloohome app)
Disable By	After 1 / 5 / 10 Minutes
Behaviour	Keypad will not accept any PINs and the keypad will flash when it is pressed.
Duration	Please refer to table below

Triggered	Security Alarm	Security Lockout
1st Time	30 Sec	1 Min
2nd Time	60 Sec	5 Min
3rd and Consecutive Time	90 Sec	10 Min

Compatible igloohome Locks

Lock	Maximum Keypad to lock distance*
Retrofit Lock	Less than 10m
Deadbolt 2S Metal Grey	Less than 8m
Keybox 3	Less than 4m
Mortise 2/2+	Less than 10m
Push-Pull Mortise	Less than 10m
Rim Lock for Metal Gates	Less than 8m
Padlock	Less than 1m
Other lock models	If you lock model is not shown here, please contact our support team for more information.

*NOTE: The distances provided are for reference only and will vary based on actual operating conditions such as physical obstacles and interference from other electronic devices.

Audio and LED Indications

Actions	Indications
Bluetooth Connection	LED Indicator flashes Blue
Successfully unlock/ lock all paired locks	Ascending 4 fast tones and flash Green LED 2 times
Unsuccessful unlock/lock of all paired locks / Error	Descending 4 short tones and solid Red LED for 4 seconds
Incorrect PIN Code	4 short beeps and flash Red LED 2 times
Security Lockout Alarm	Low-high siren for 30 /60 / 90 seconds
Security Lockout Deactivated	2 long beeps
Low Battery Alert	When Keypad is woken up: If battery is below 20% - 2 sets of 2 short beeps with pulsing Red LED If battery is below 10% - 4 sets of 2 short beeps with pulsing Red LED
Hard Reset / Unpair	Descending 3 slow tones
Successful Pairing	Ascending 3 fast tones

Troubleshoot

Paired locks are not unlocking when valid PIN Code is used

- Check that the locks you are unlocking are linked to the Keypad in the app.
- Ensure Keypad is within Bluetooth range of the locks with minimal obstruction between devices.
- Check battery levels of the locks you are unlocking.

Compliance

This device complies with part 15 of the FCC Rules. Operation is subject to the following two conditions: (1) this device may not cause harmful interference, and (2) this device must accept any interference received, including interference that may cause undesired operation.

Any changes or modifications not expressly approved by the party responsible for compliance could void the user's authority to operate the equipment.

NOTE: This equipment has been tested and found to comply with the limits for a Class B digital device, pursuant to Part 15 of the FCC Rules. These limits are designed to provide reasonable protection against harmful interference in a residential installation. This equipment generates, uses and can radiate radio frequency energy and, if not installed and used in accordance with the instructions, may cause harmful interference to radio communications. However, there is no guarantee that interference will not occur in a particular installation.

If this equipment does cause harmful interference to radio or television reception, which can be determined by turning the equipment off and on, the user is encouraged to try to correct the interference by one or more of the following measures:

- Reorient or relocate the receiving antenna.
- Increase the separation between the equipment and receiver.
- Connect the equipment into an outlet on a circuit different from that to which the receiver is connected.
- Consult the dealer or an experienced radio/TV technician for help.

This equipment complies with FCC radiation exposure limits set forth for an uncontrolled environment. This equipment should be installed and operated with a minimum distance of 20 cm between the radiator and your body.

For enquiries go to:
igloohome.co/support