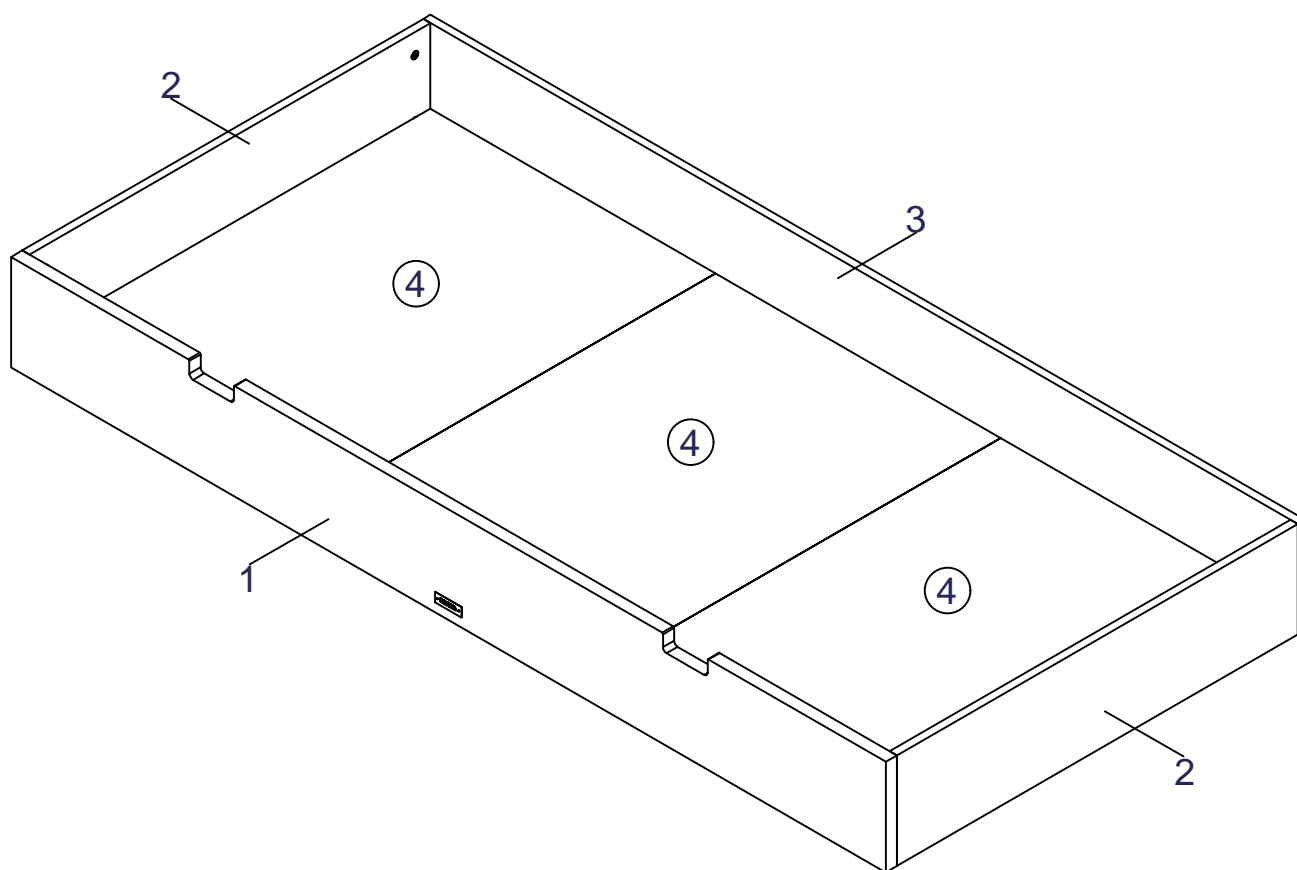


bopita®

ASSEMBLY INSTRUCTION
MONTAGE HANDLEIDING
MONTAGE ANLEITUNG
NOTICE DE MONTAGE
MANUAL DE MONTAJE

UK
NL
D
F
ESP

MODEL :
TYPE :DRAWER 90X200
COLOUR :MATT BLACK
ART.CODE :5873.12.





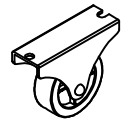



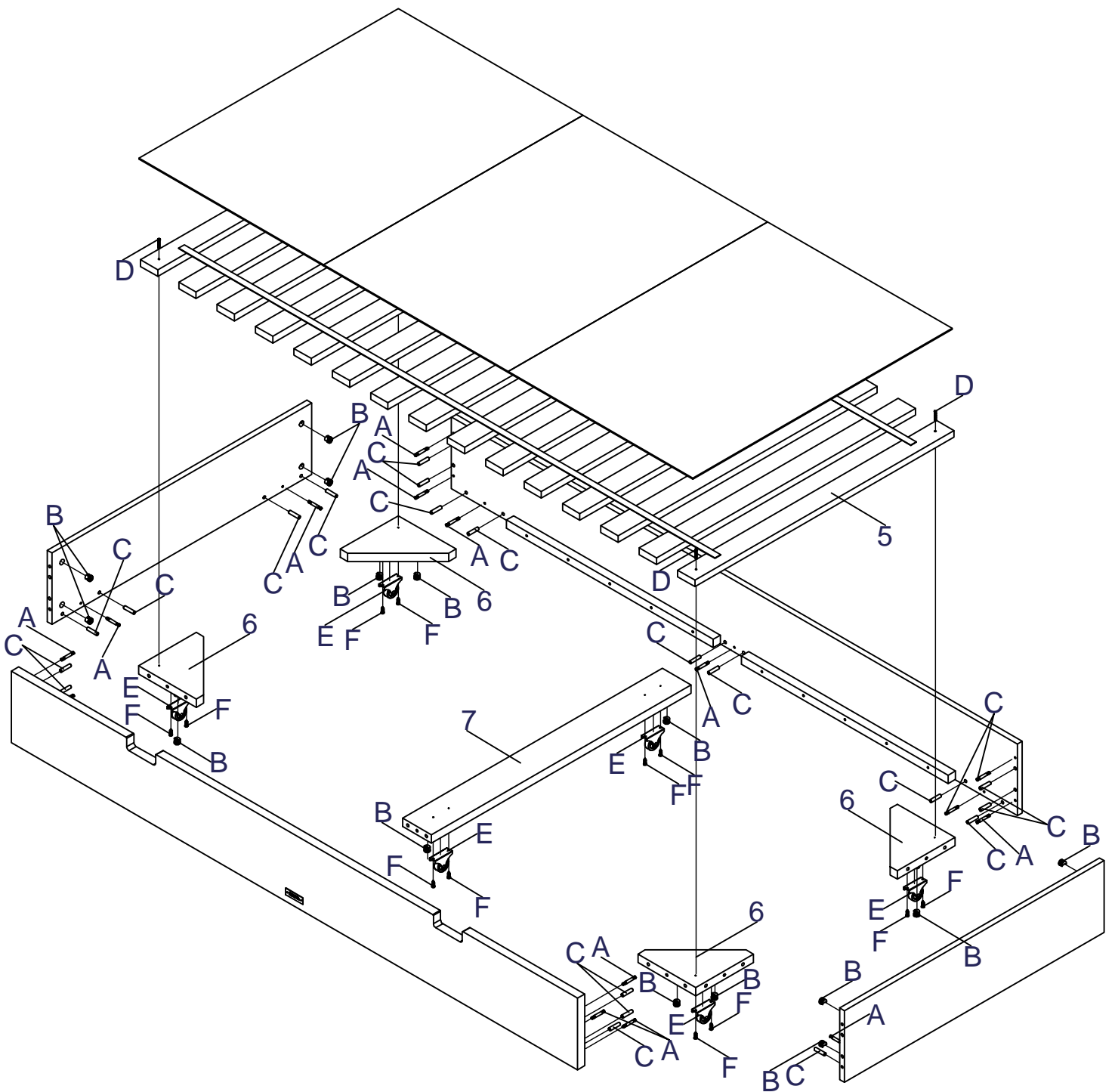
Distributor:

BOPITA
Energieweg 1
6662 NS Elst
The Netherlands

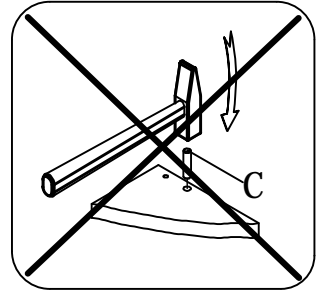
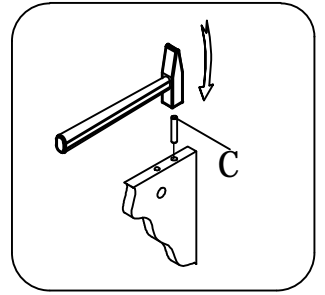
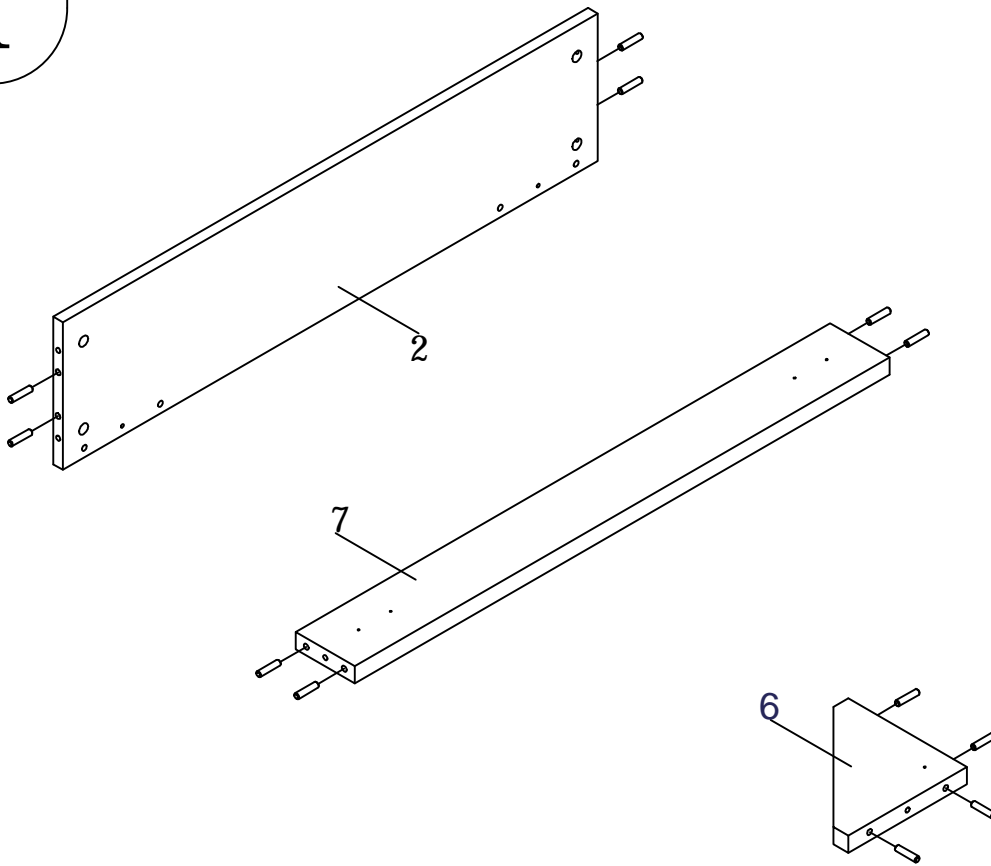
www.bopita.com

27.01.2020.

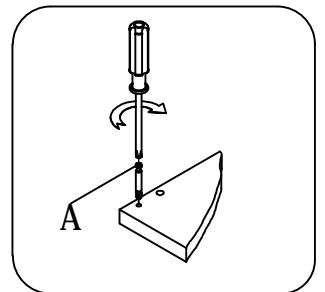
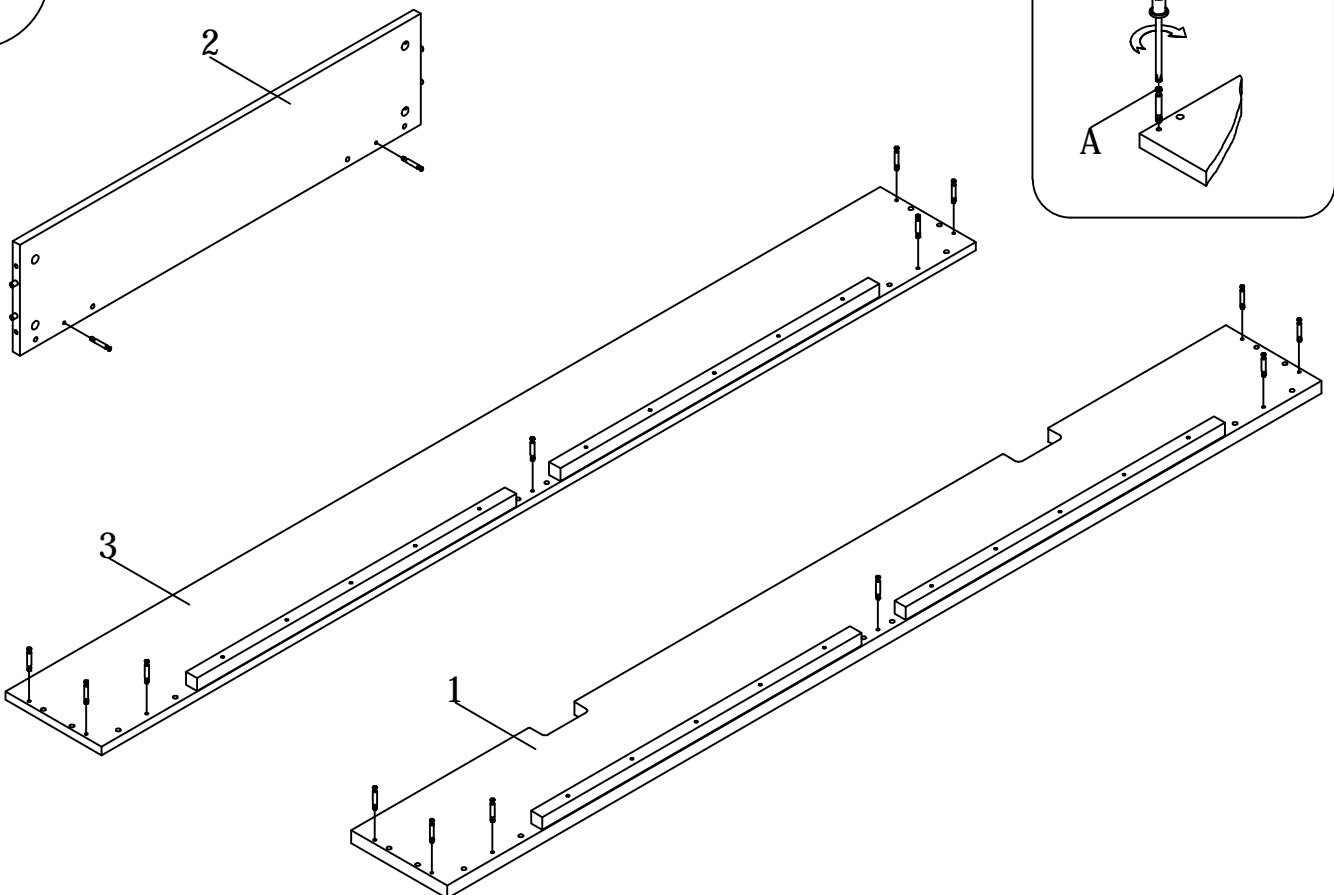
<p>A</p>  <p>18X</p>	<p>B</p>  <p>18X</p>	<p>C</p>  <p>< 8X35 28X</p>	<p>D</p>  <p>3,5X30 4X</p>	<p>E</p>  <p>6X</p>	<p>F</p>  <p>4X16 12X</p>
artcode: 444003		artcode: 444004		artcode: 431009	
artcode: 897019		artcode: 897018		artcode: 431008	



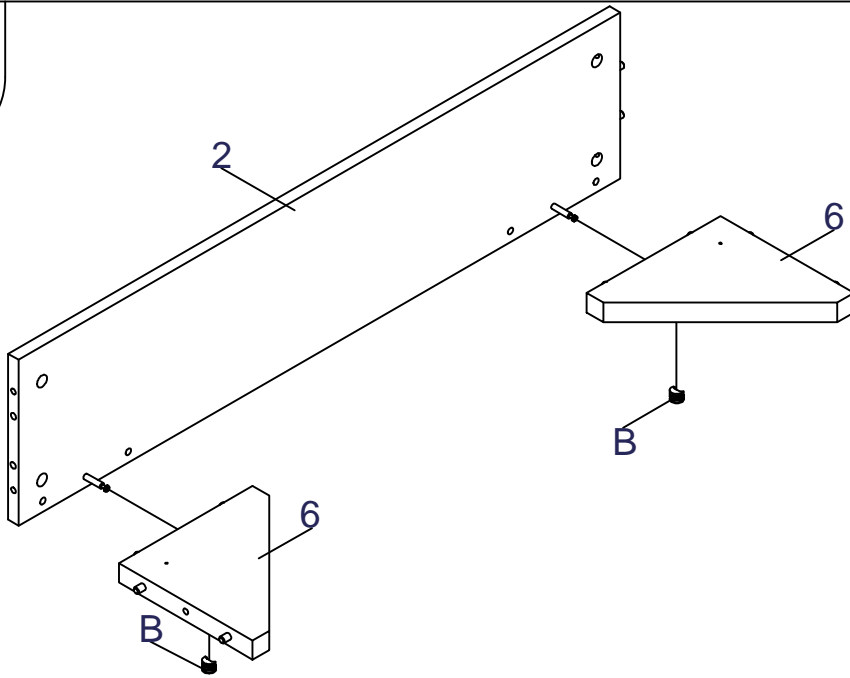
1



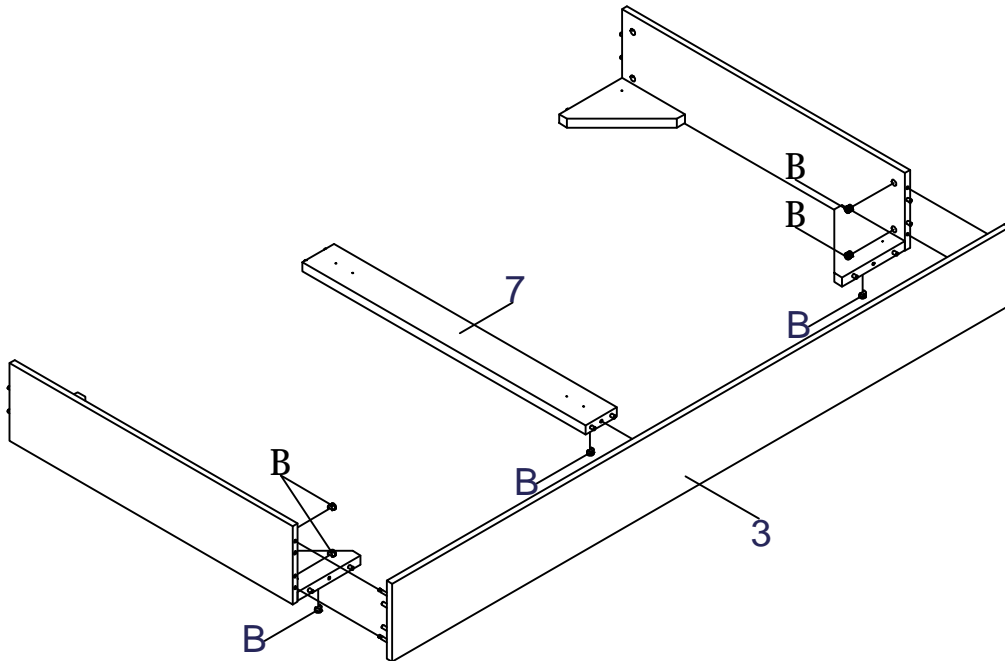
2



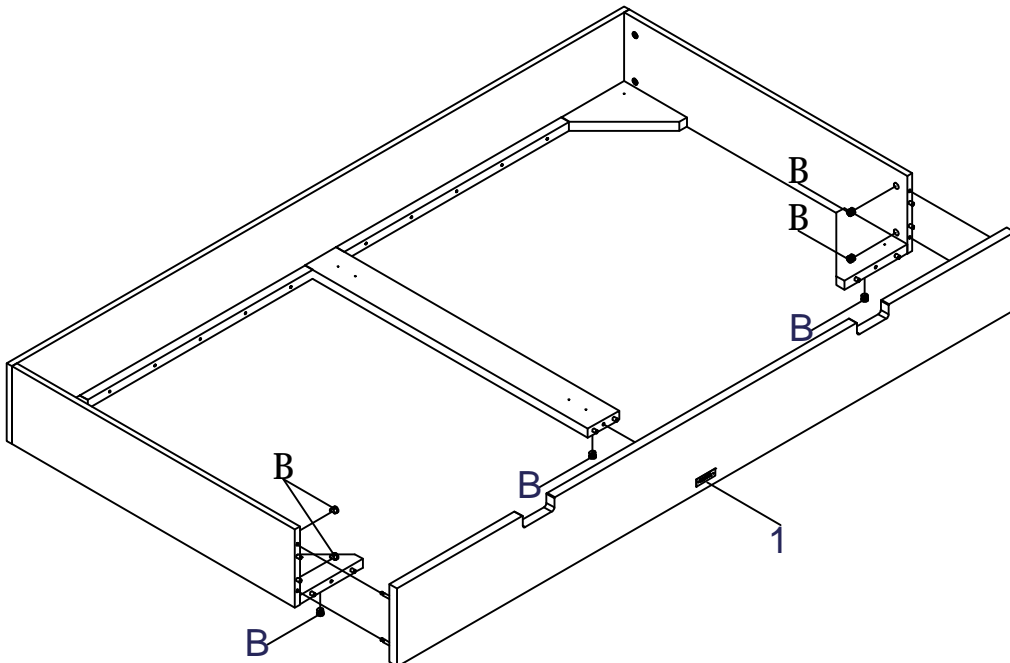
3



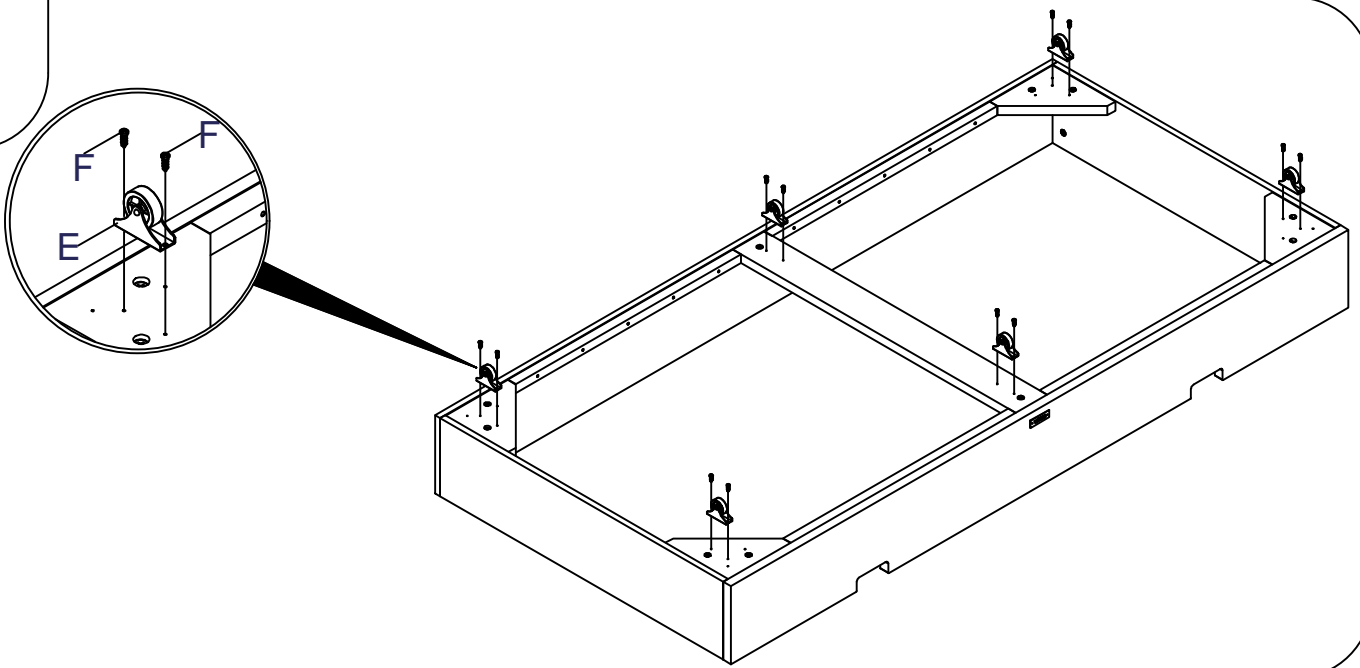
4



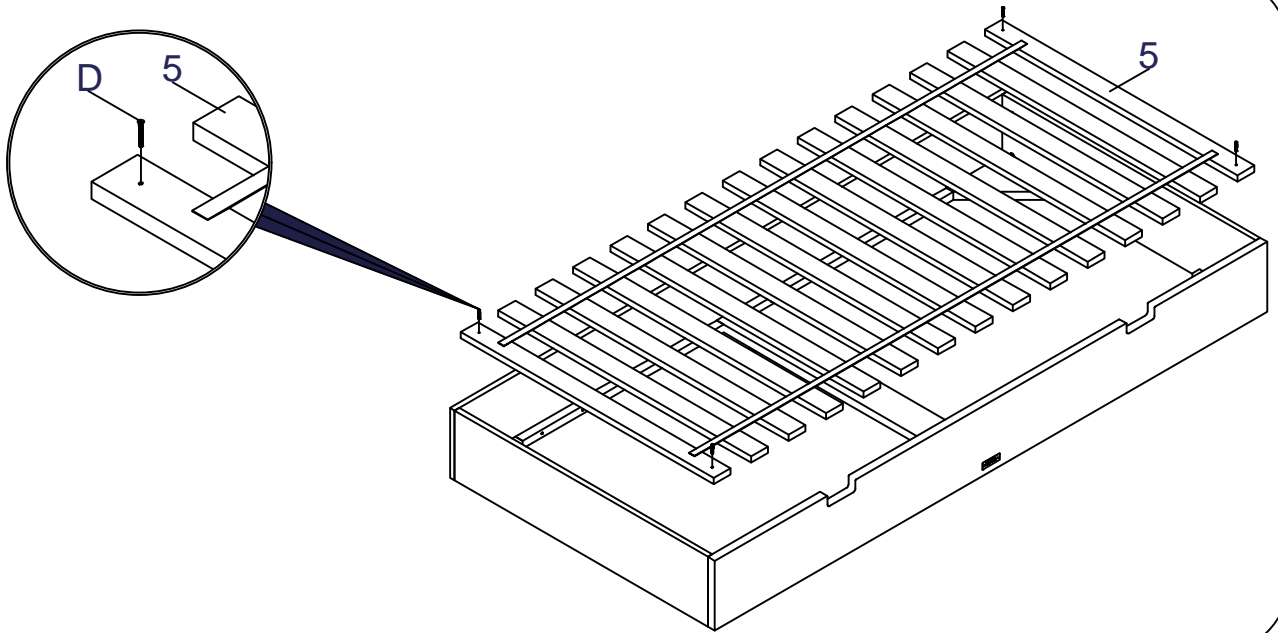
5



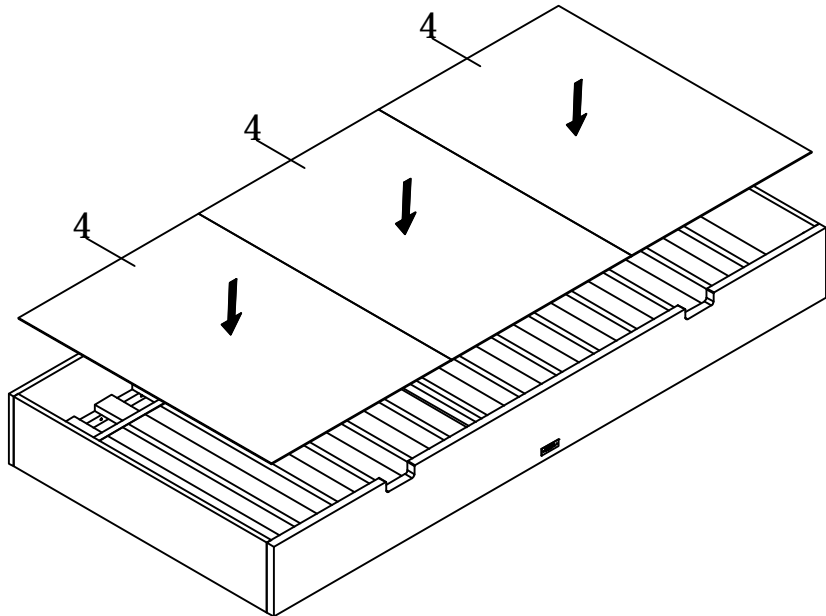
6



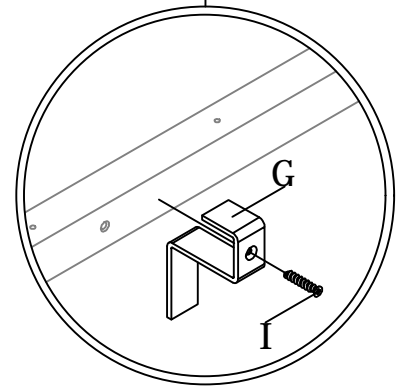
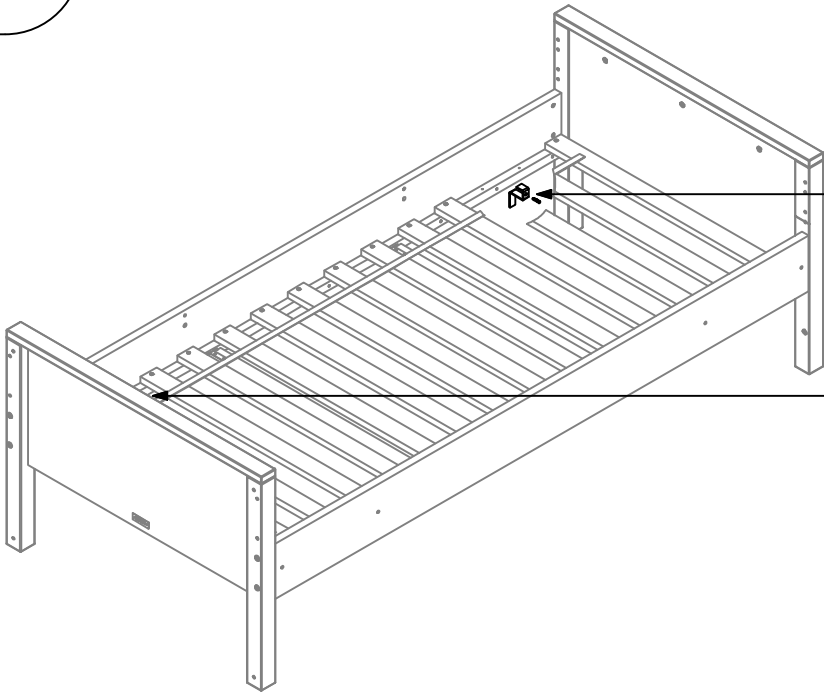
7



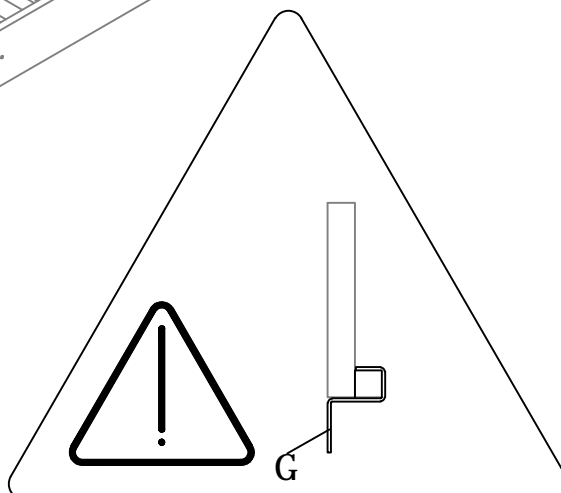
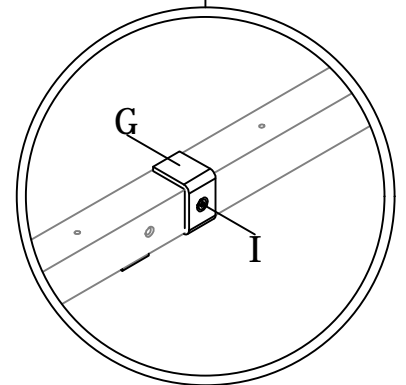
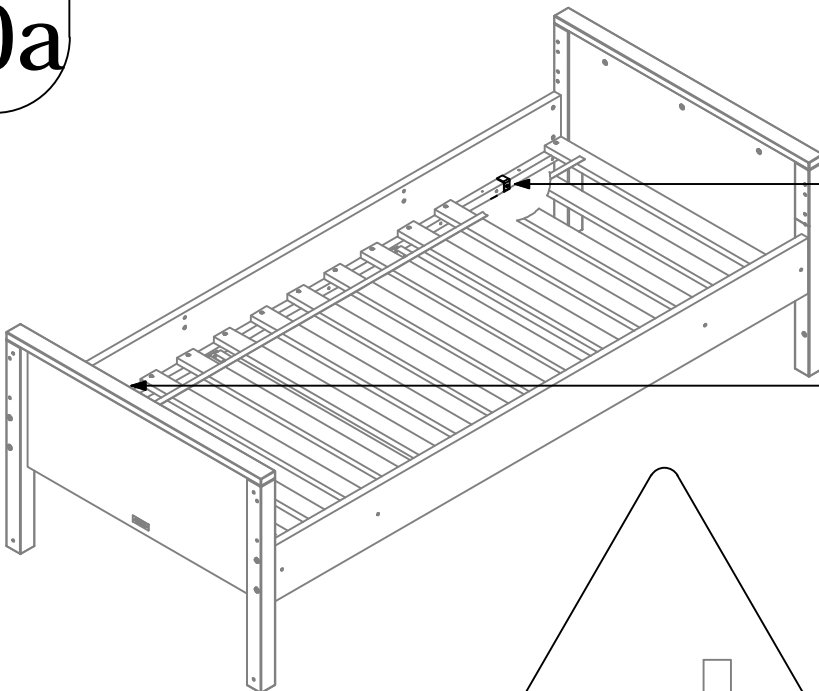
8



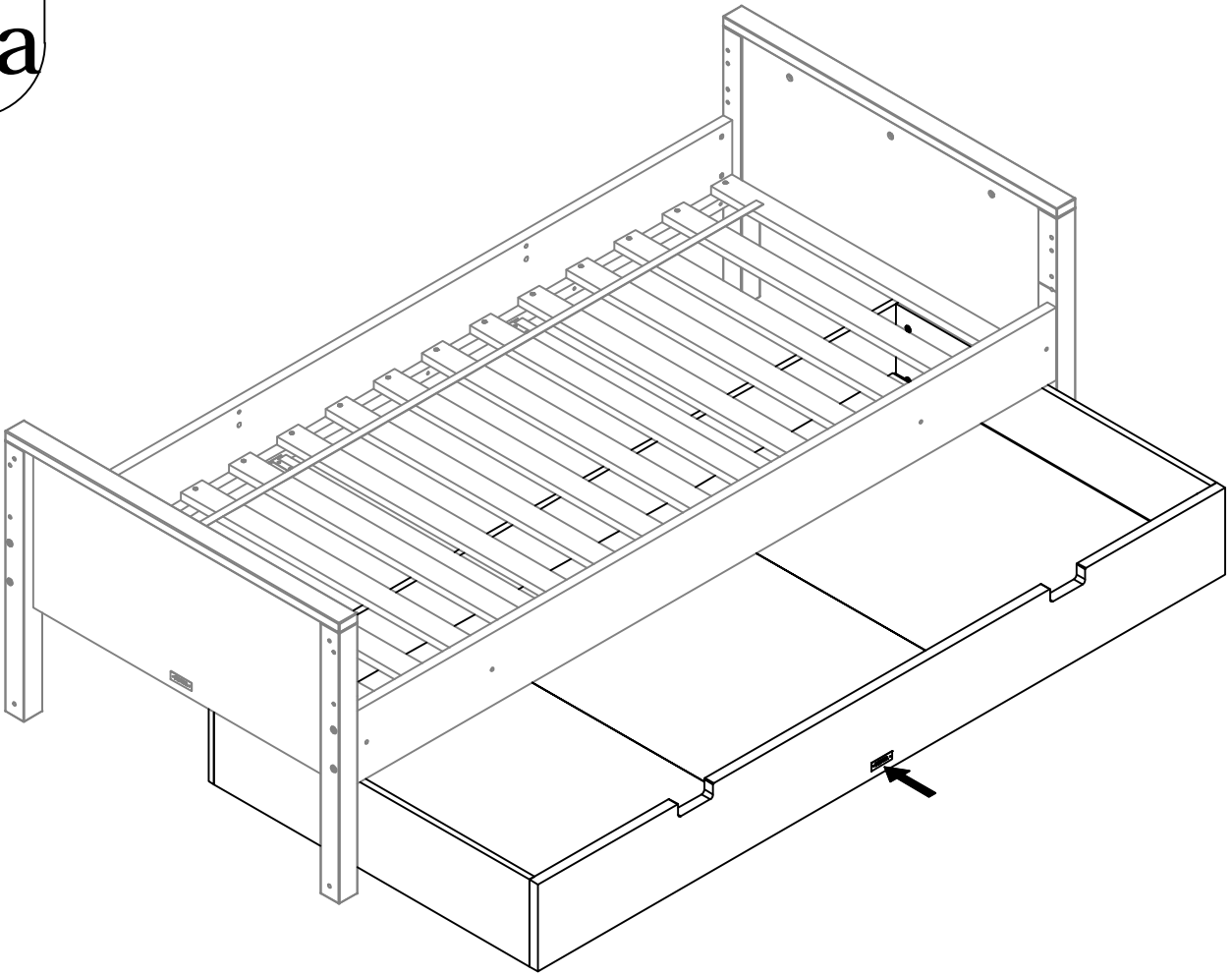
9a



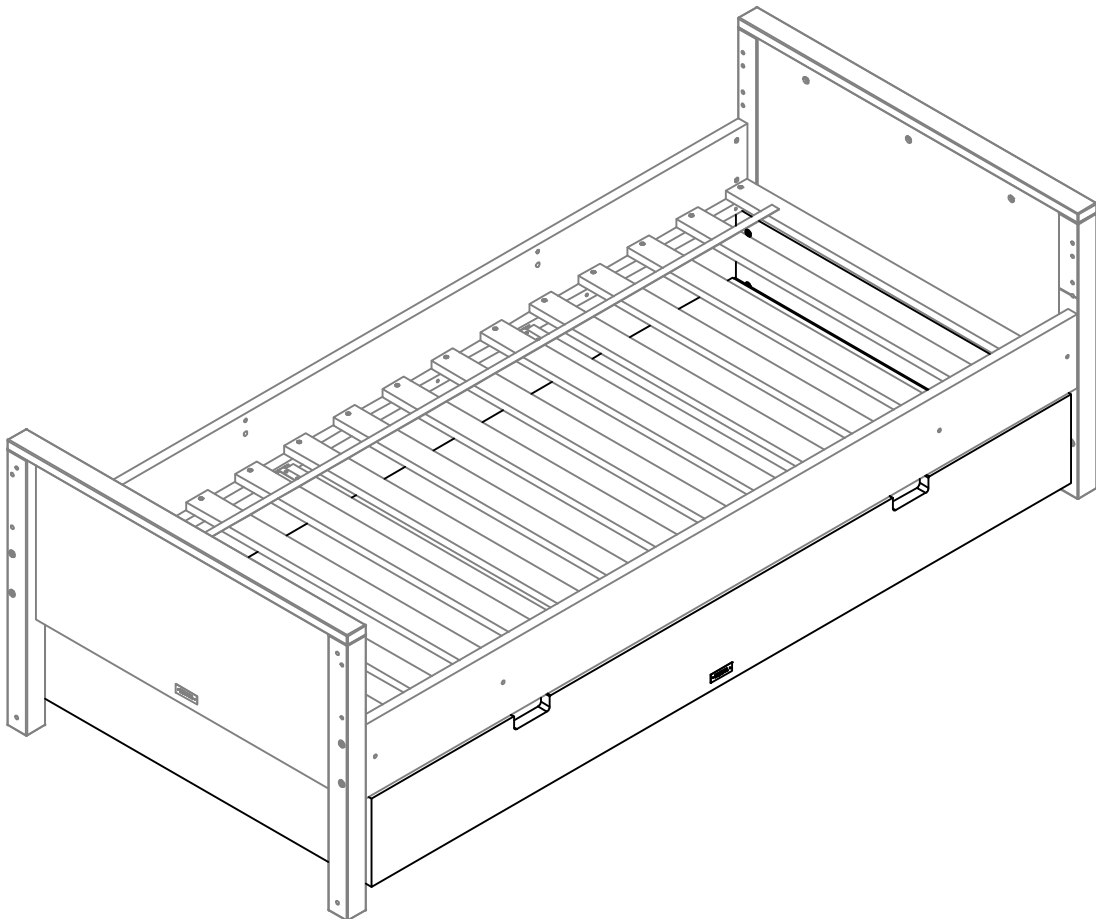
10a



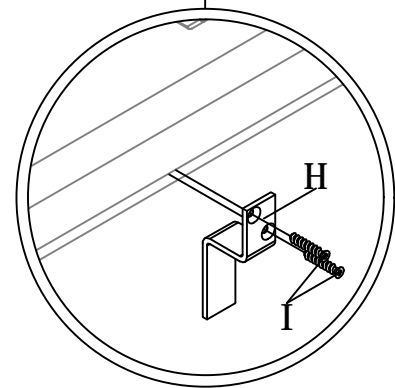
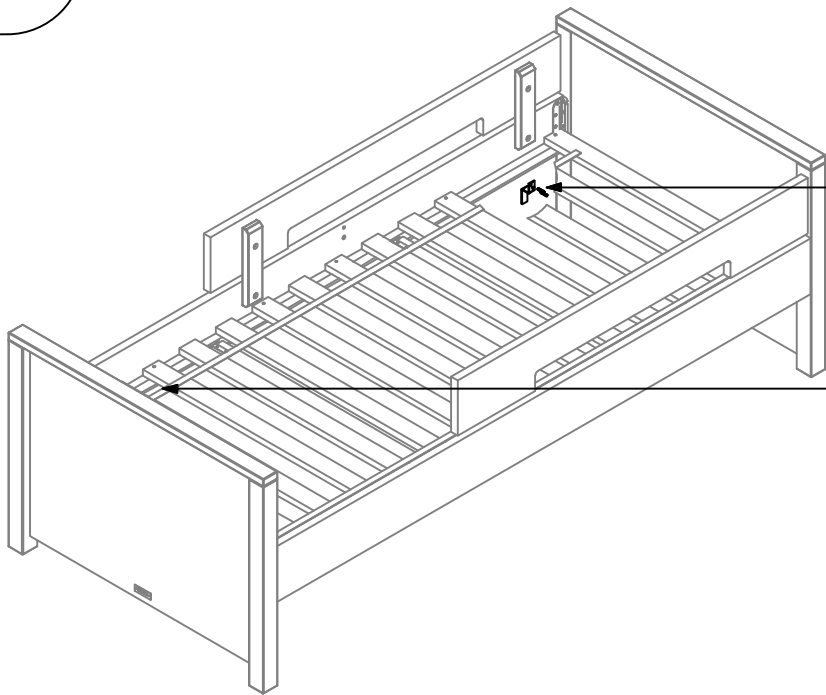
11a



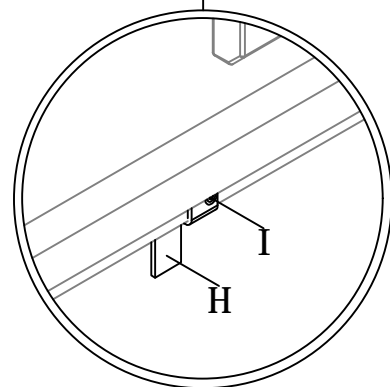
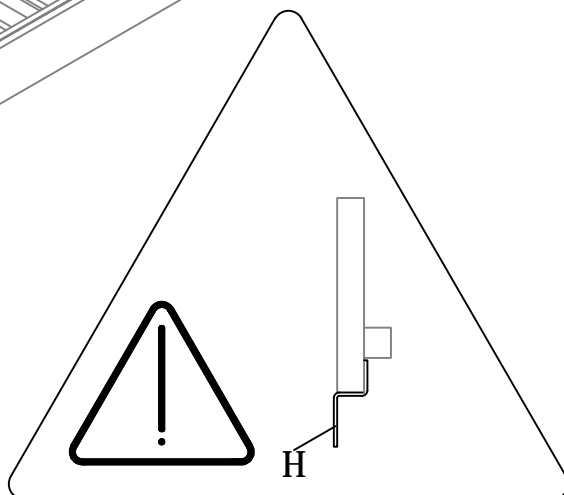
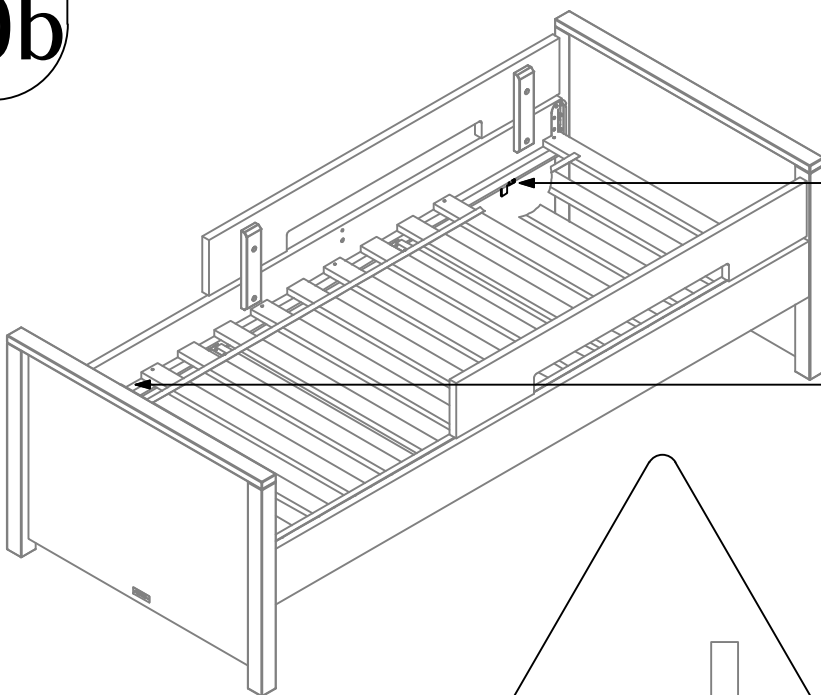
12a



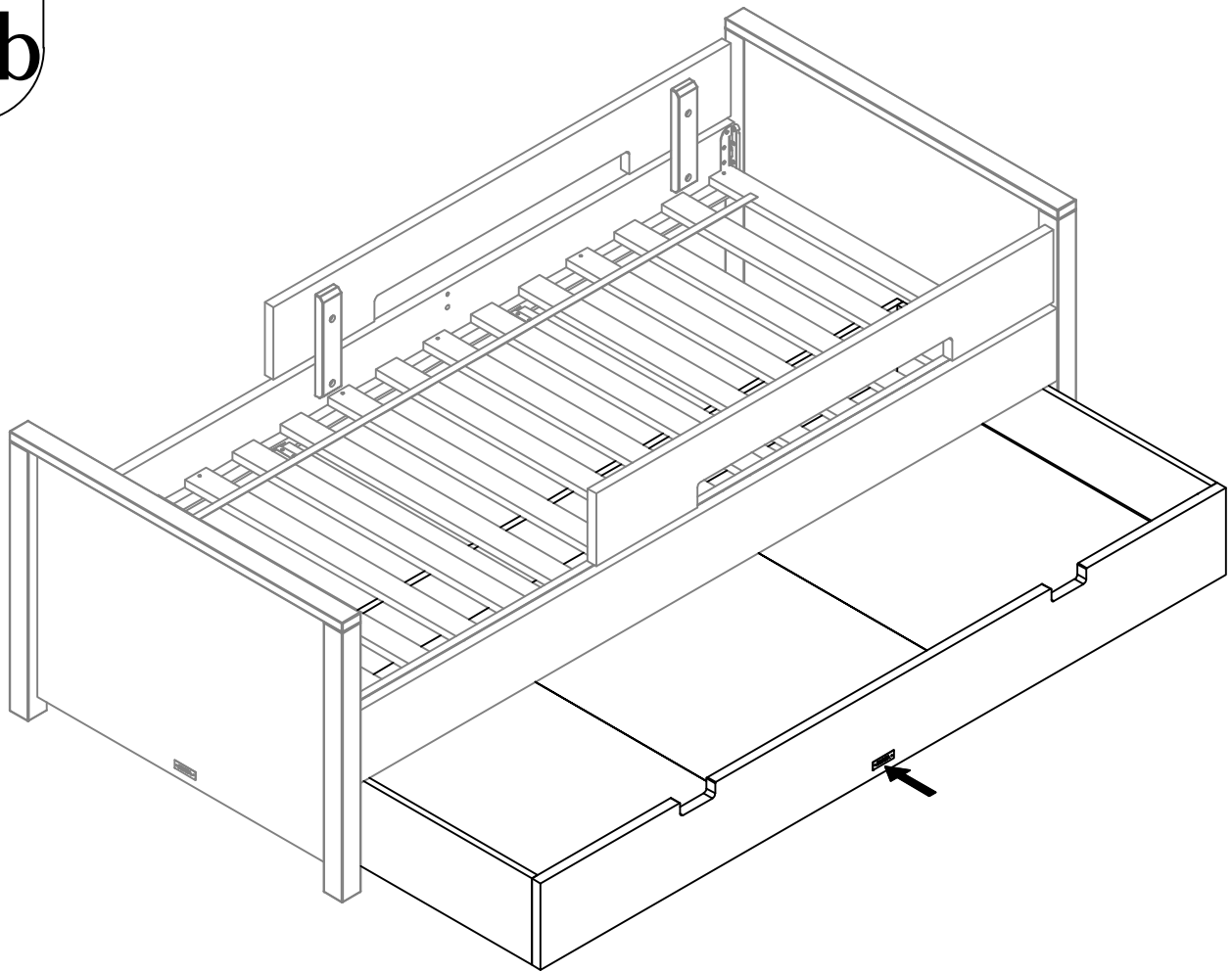
9b



10b



11b



12b

