

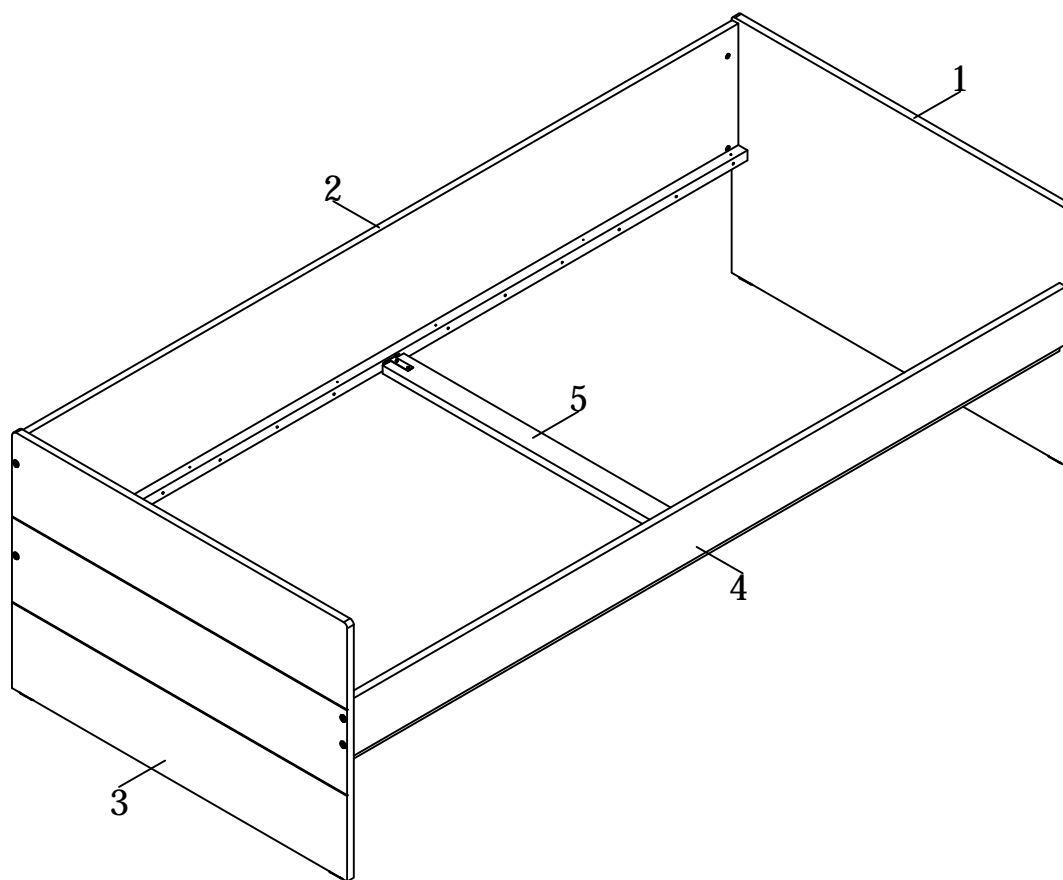
bopita®

ASSEMBLY INSTRUCTION
MONTAGE HANDLEIDING
MONTAGE ANLEITUNG
NOTICE DE MONTAGE
MANUAL DE MONTAJE

UK
NL
D
F
ESP

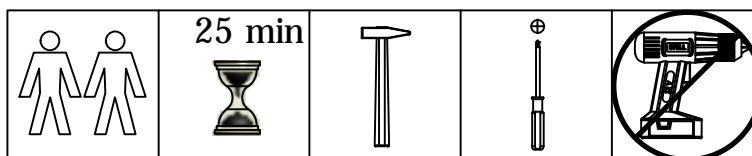
MODEL
TYPE
COLOUR
ART. CODE

: FLORIS
: BENCH BED 90X200
: MATT BLACK/NATURAL
: 269197.19







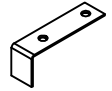



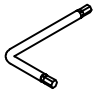
Distributor:

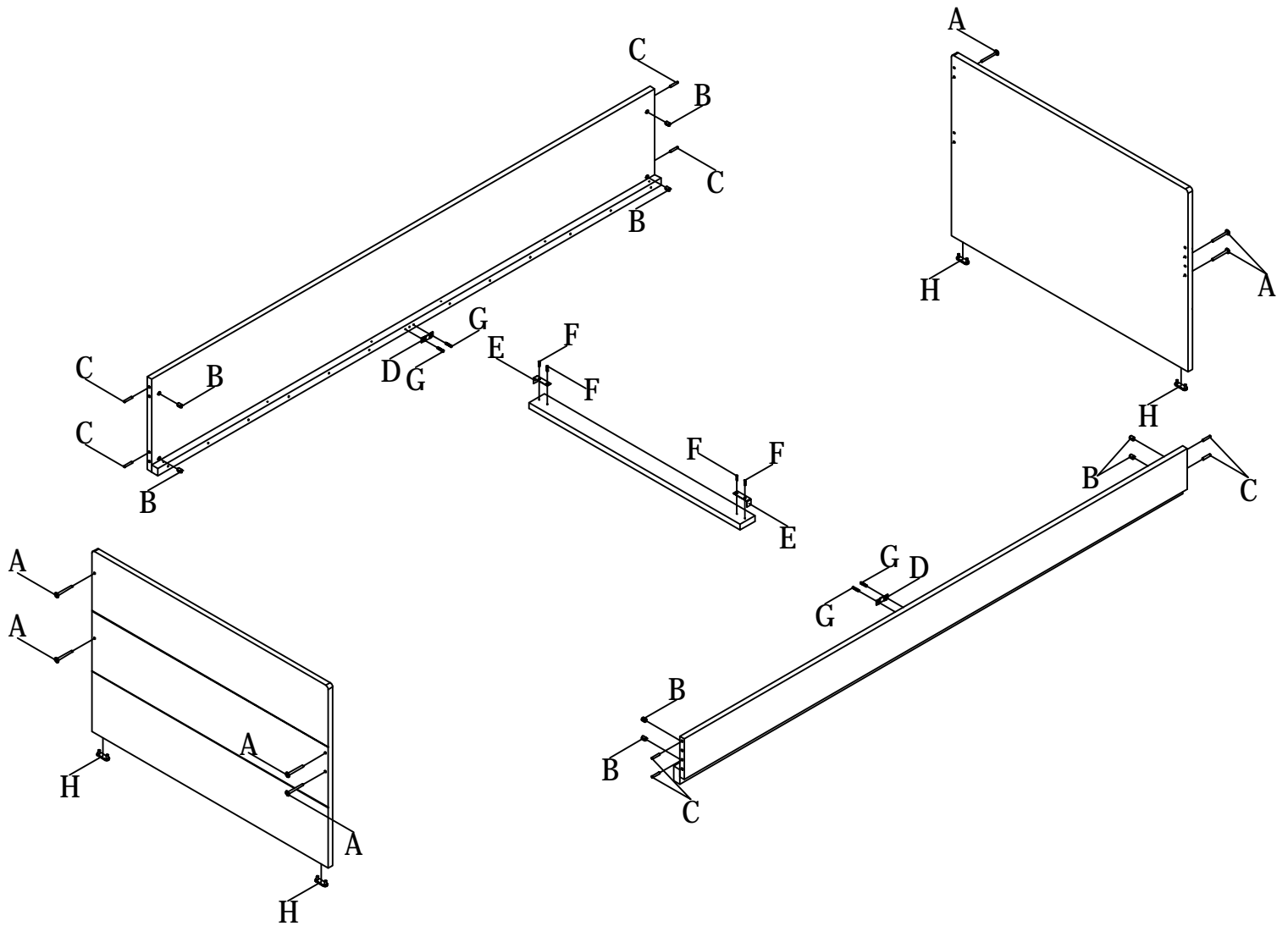
BOPITA
Energieweg 1
6662 NS Elst
The Netherlands

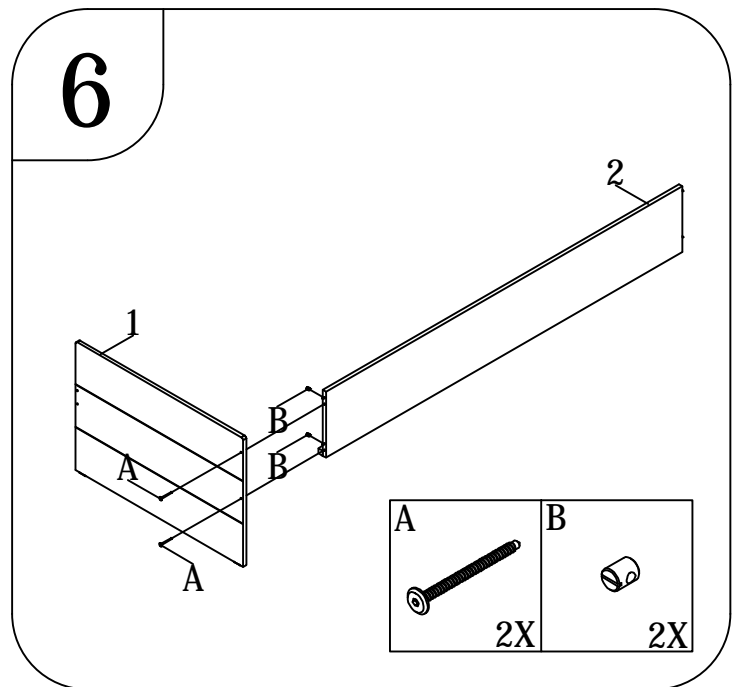
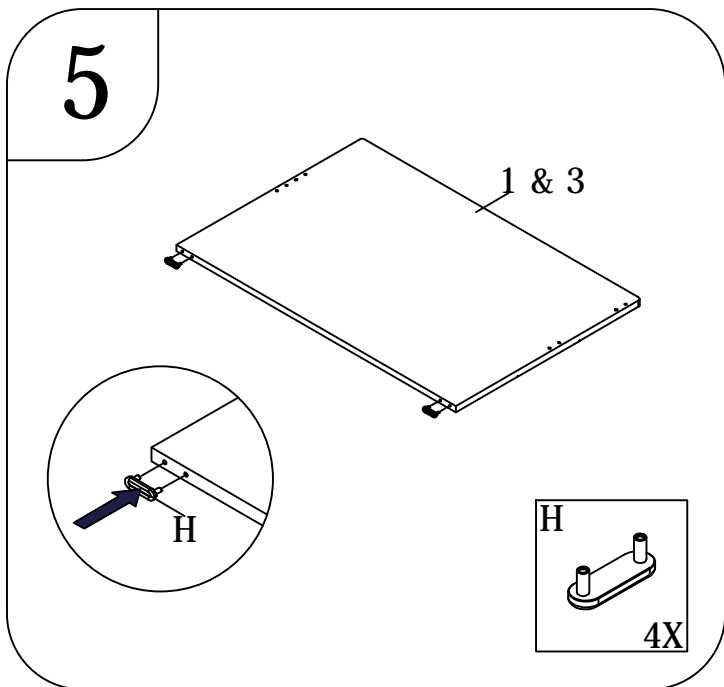
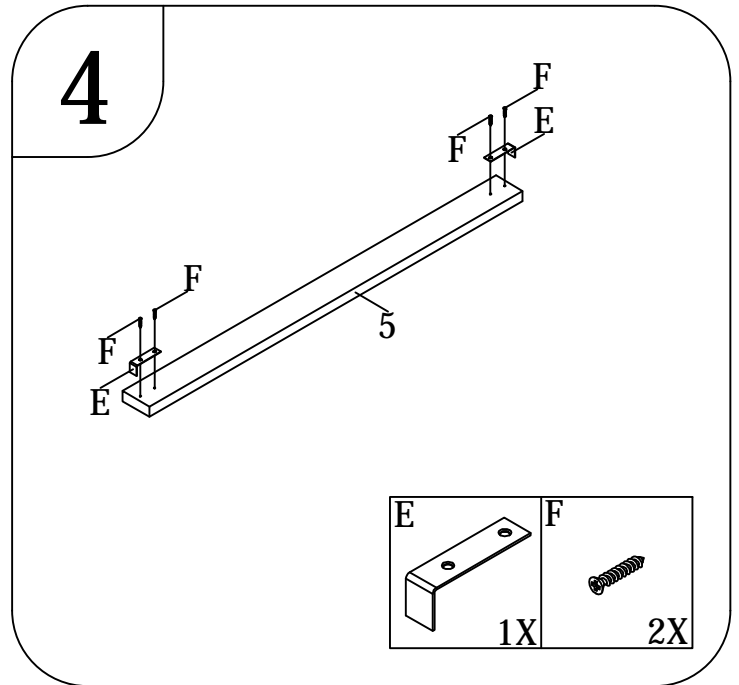
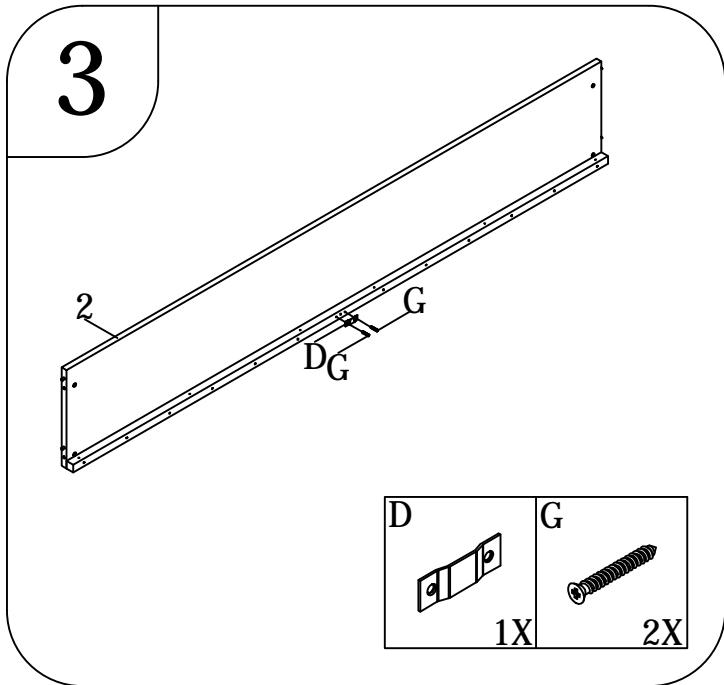
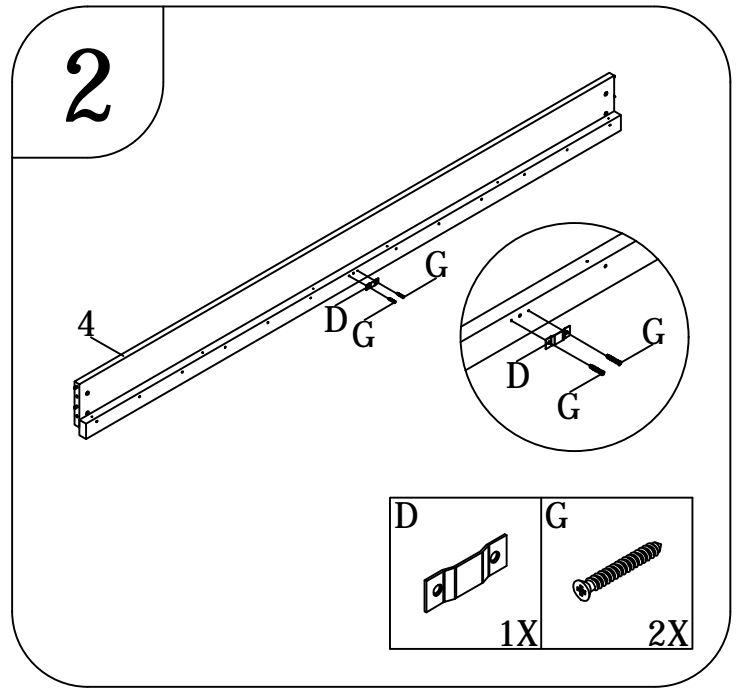
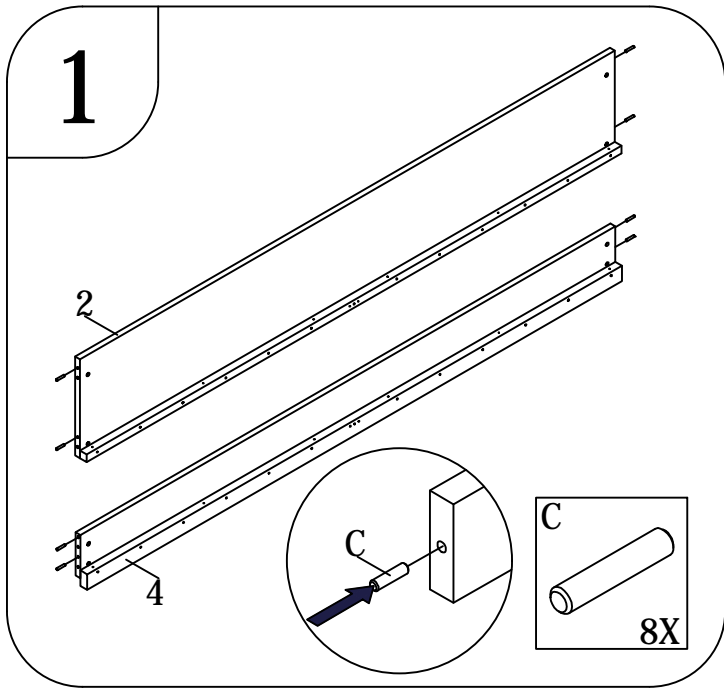


www.bopita.com

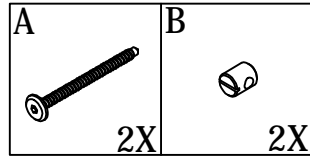
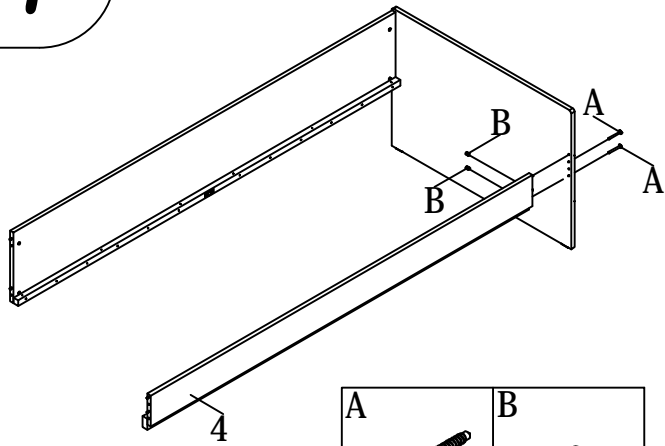
19.01.2021.

<p>A</p>  <p>M6X60 8X</p>	<p>B</p>  <p>M6 8X</p>	<p>C</p>  <p>« 6x30 8X</p>	<p>D</p>  <p>2X</p>	<p>E</p>  <p>2X</p>	<p>F</p>  <p>3,5X16 4X</p>
<p>G</p>  <p>3,5X25 4X</p>	<p>H</p>  <p>4X</p>	<p>I</p>  <p>SW4 1X</p>			

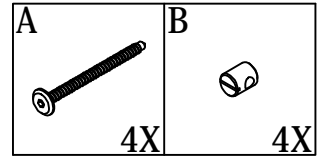
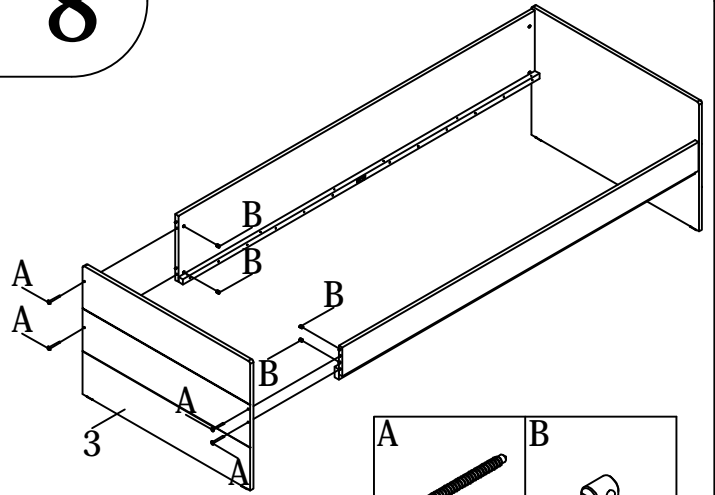




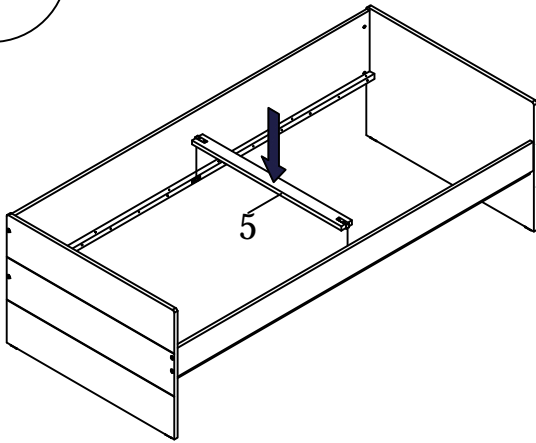
7



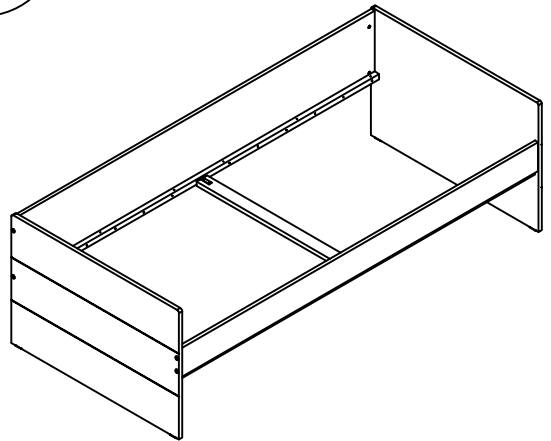
8



9








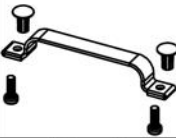
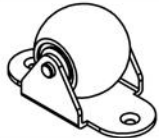
10

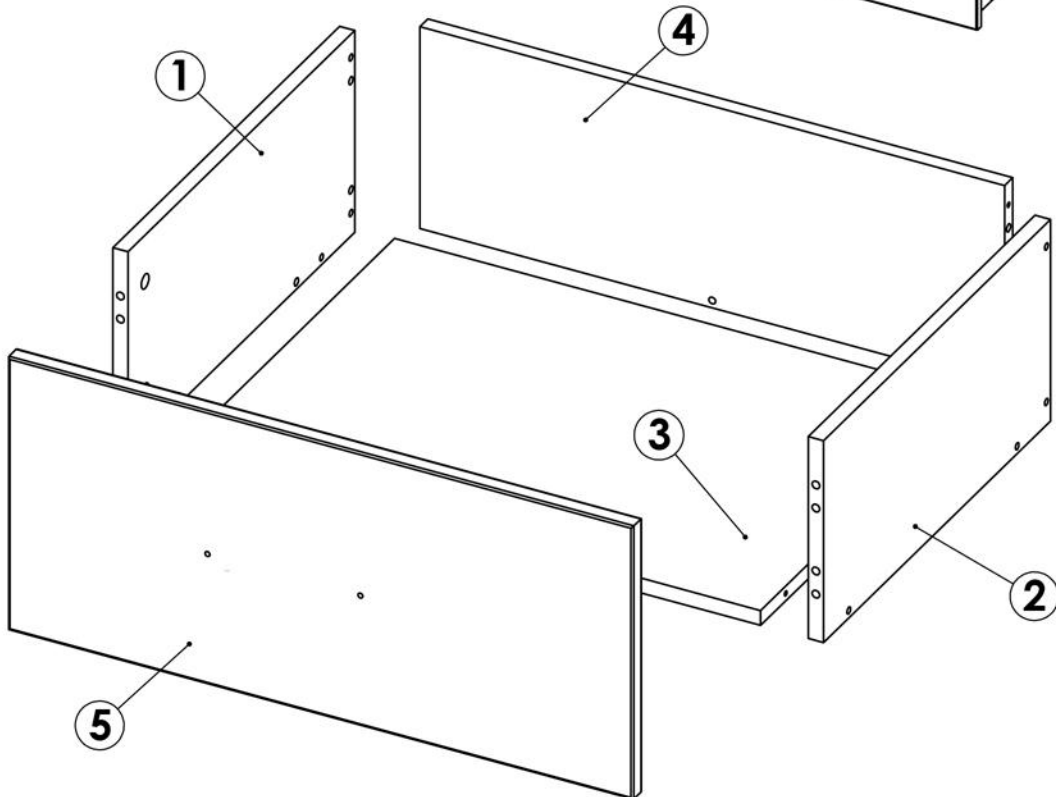
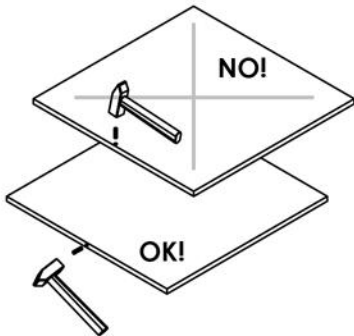
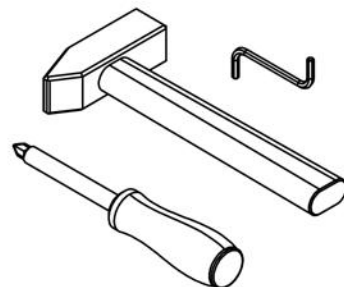
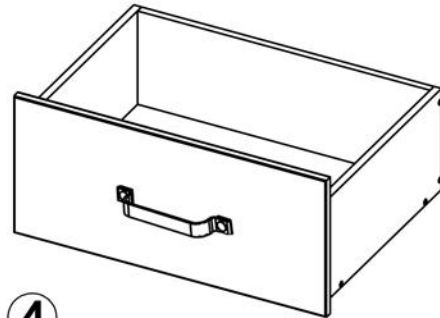
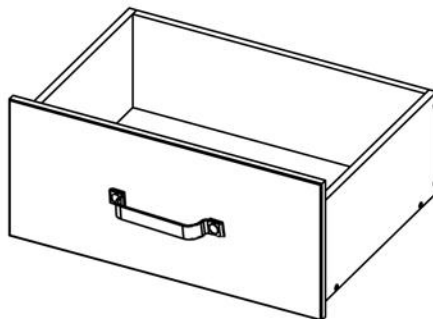
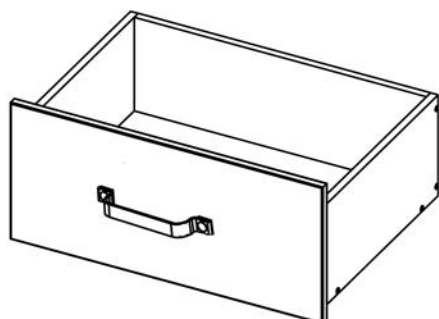


SET OF 3 DRAWERS ON WHEELS FLORIS BLACK

art. code : 269 19 719

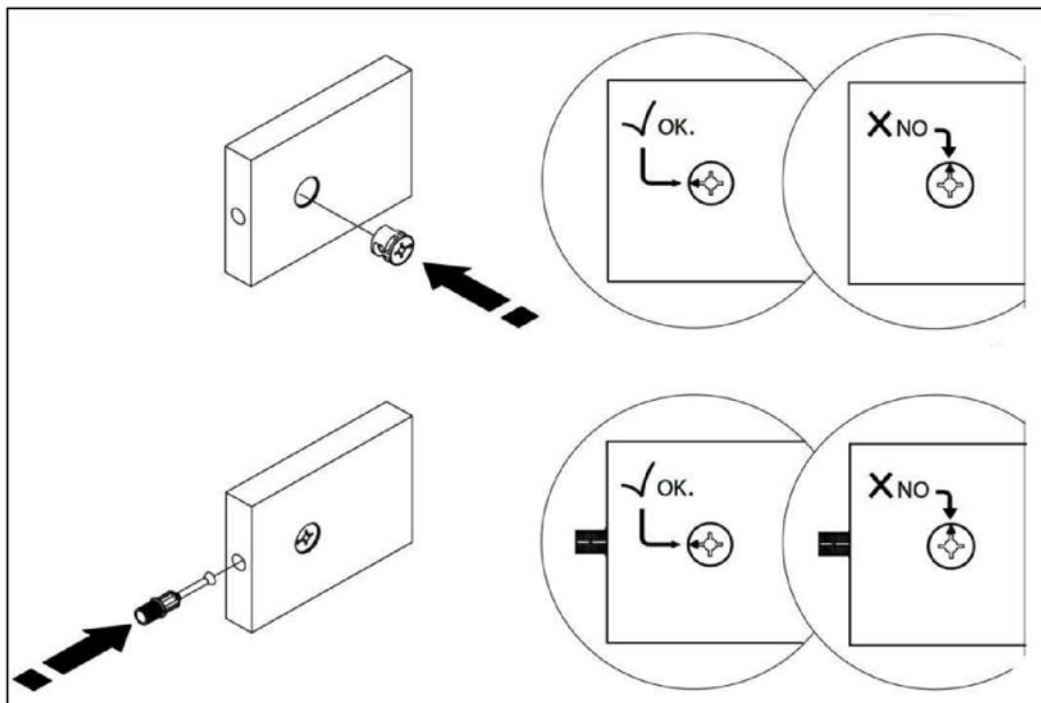
21.01.2021

		 8x30		 3,5x13		
A x 12	B x 12	C x 39	D x 27	E x 24	F x 3	H x 12

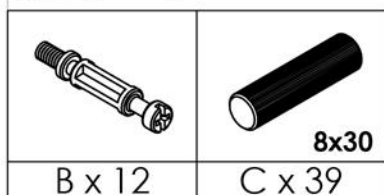


"BOPITA"
LION INTERNATIONAL B.V.
ENERGIEWEG 1
6662 NS ELST GLD
NEDERLAND
www.bopita.com

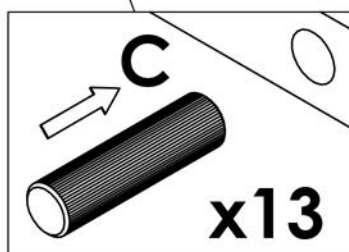
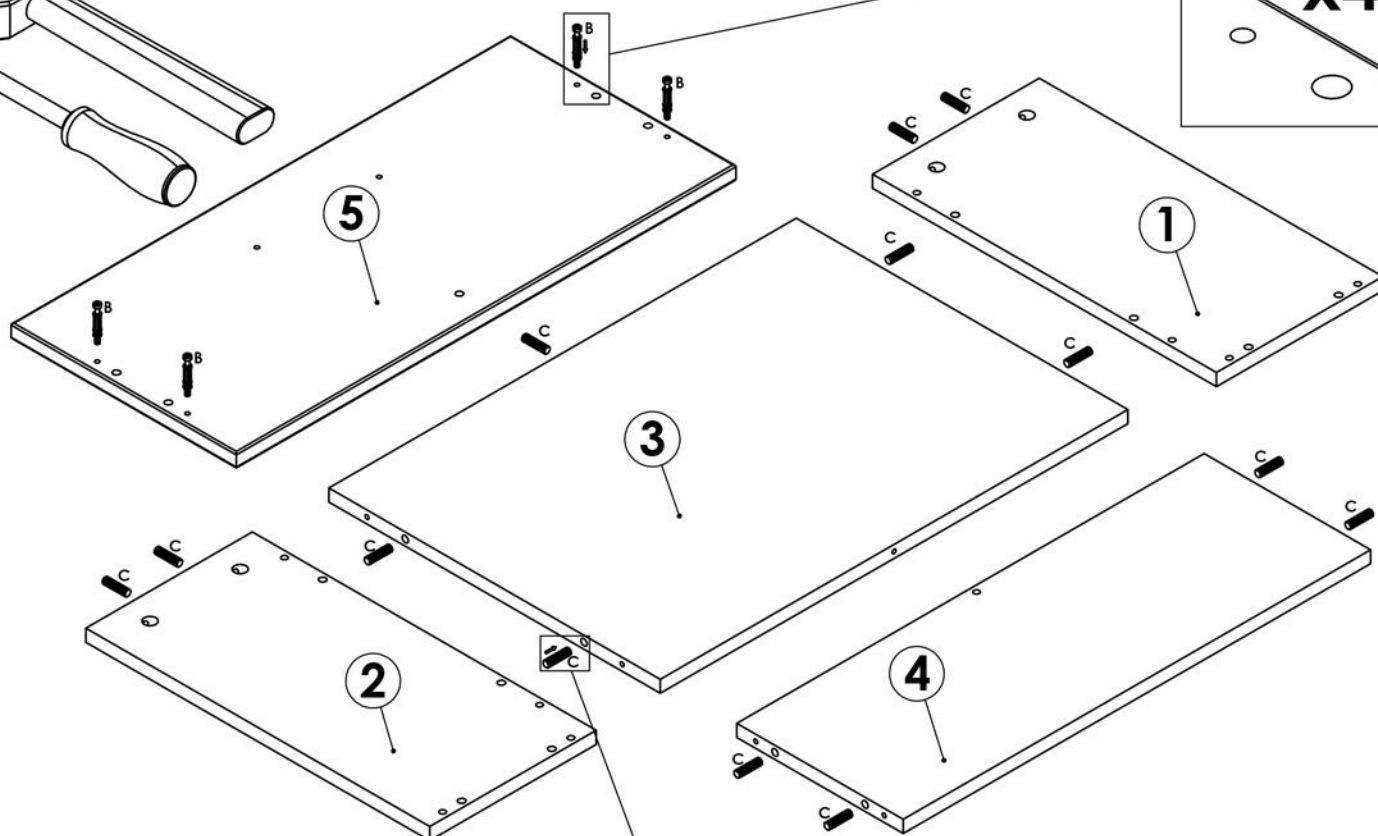
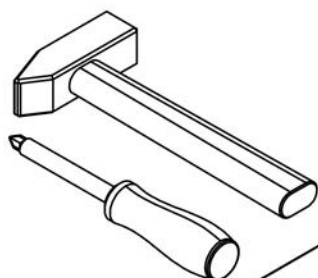
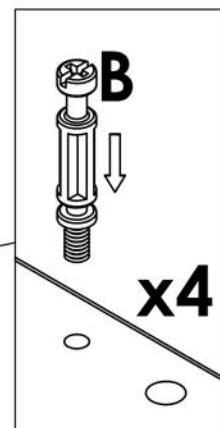




STEP - 1



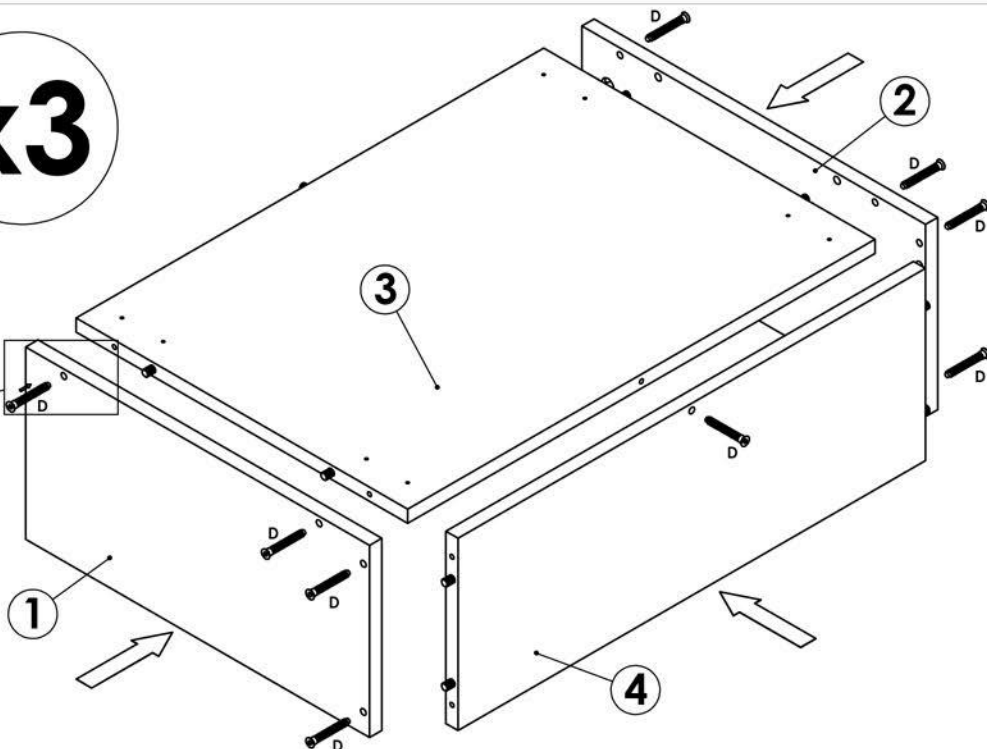
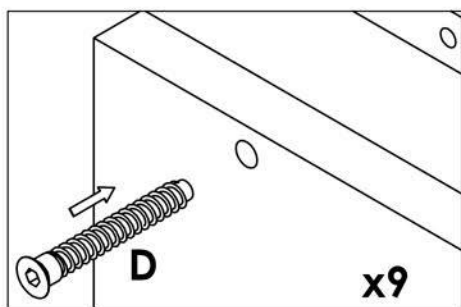
x3



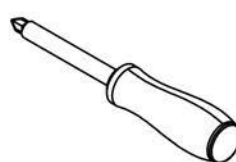
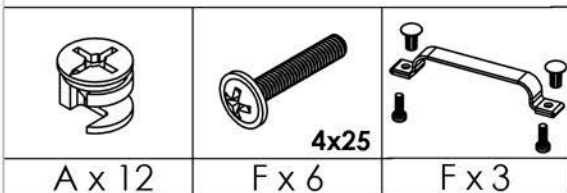
STEP - 2



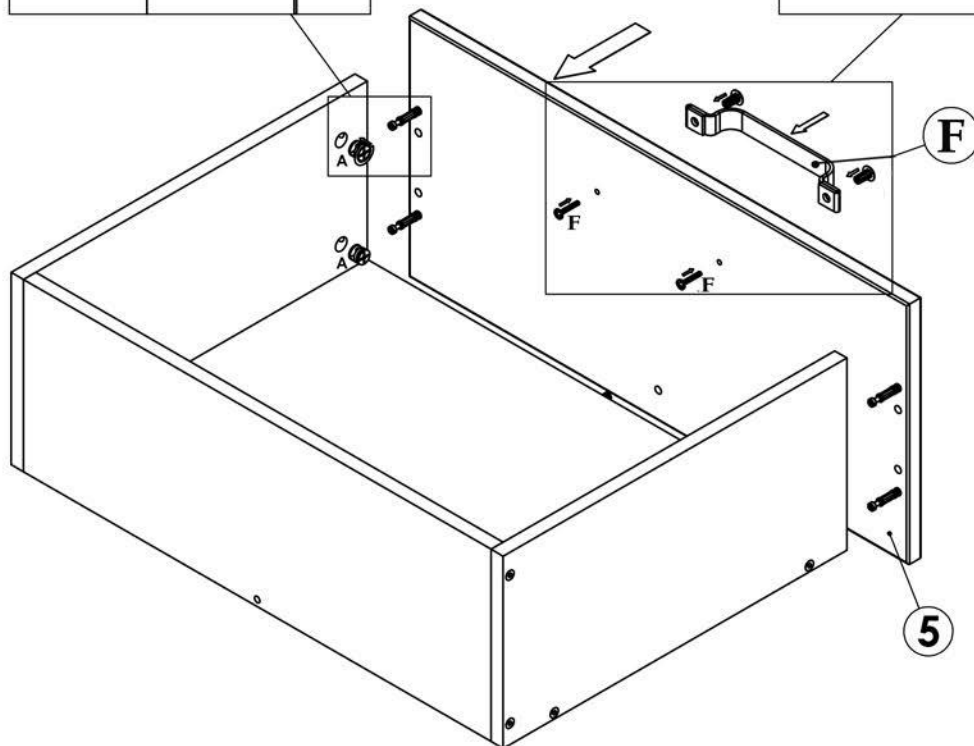
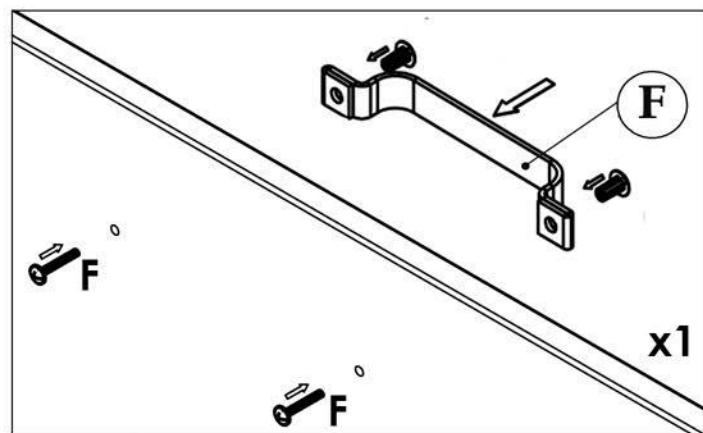
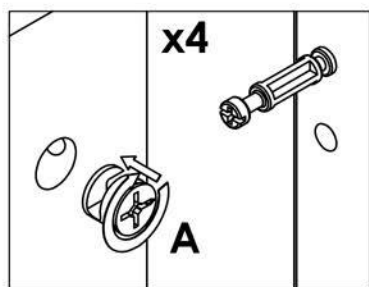
x3



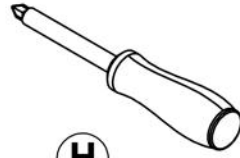
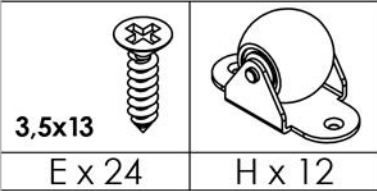
STEP - 3



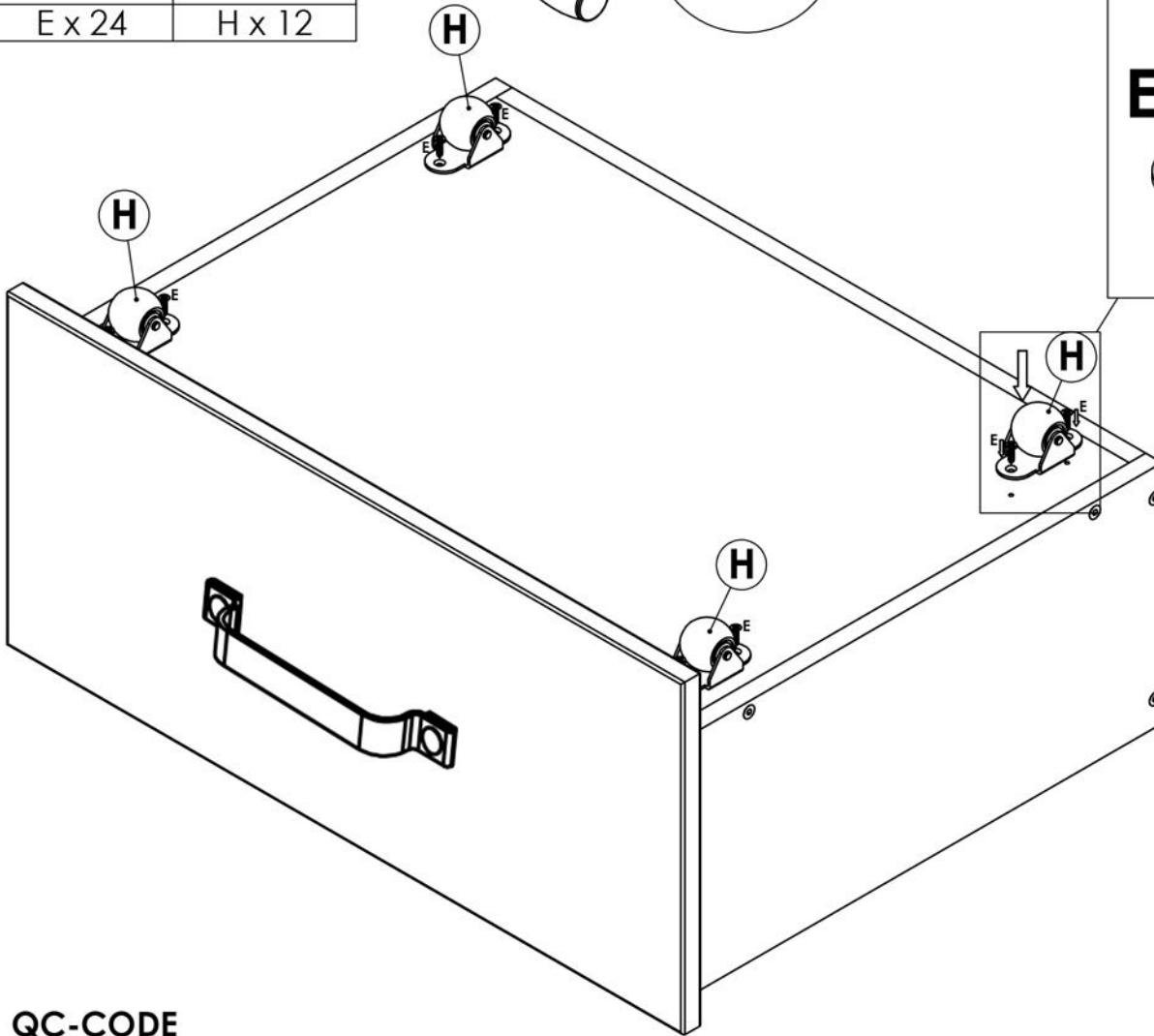
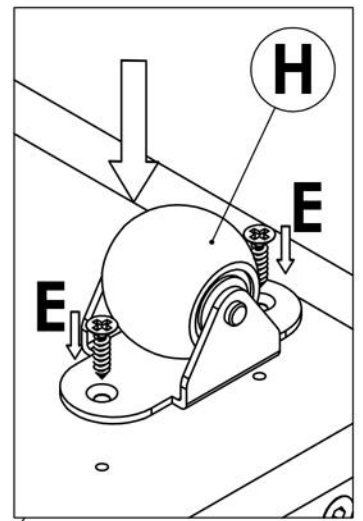
x3



STEP - 4

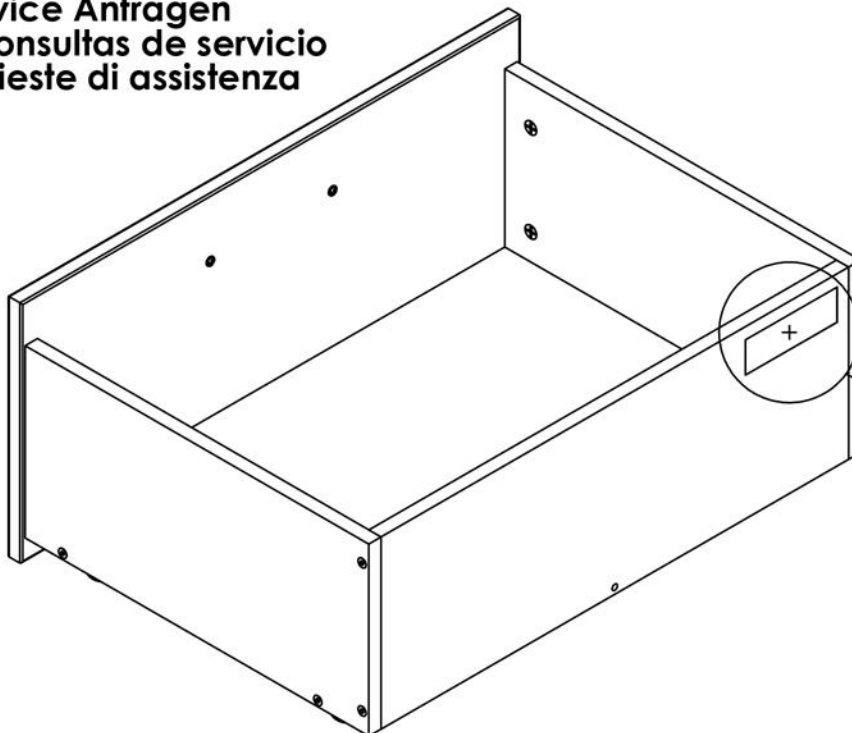


x3



QC-CODE

- (UK) for service requests
- (NL) voor service vragen
- (FR) pour les demandes de service
- (DE) für Service Anfragen
- (ES) para consultas de servicio
- (IT) per richieste di assistenza



QC-CODE