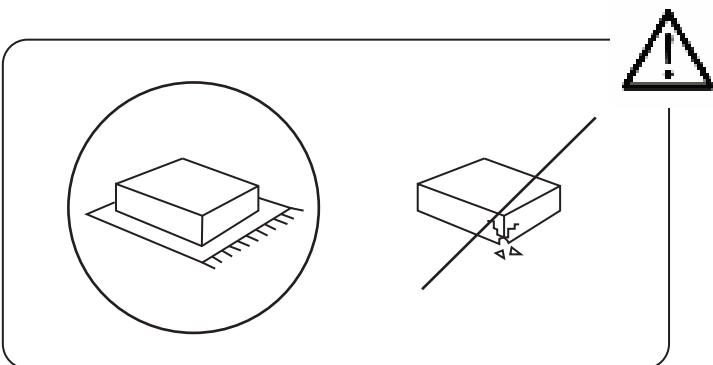
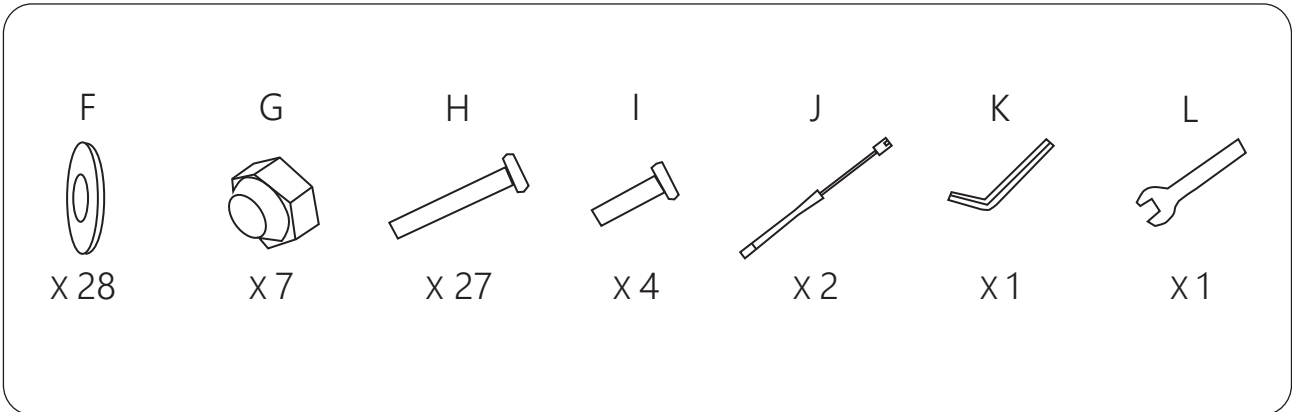
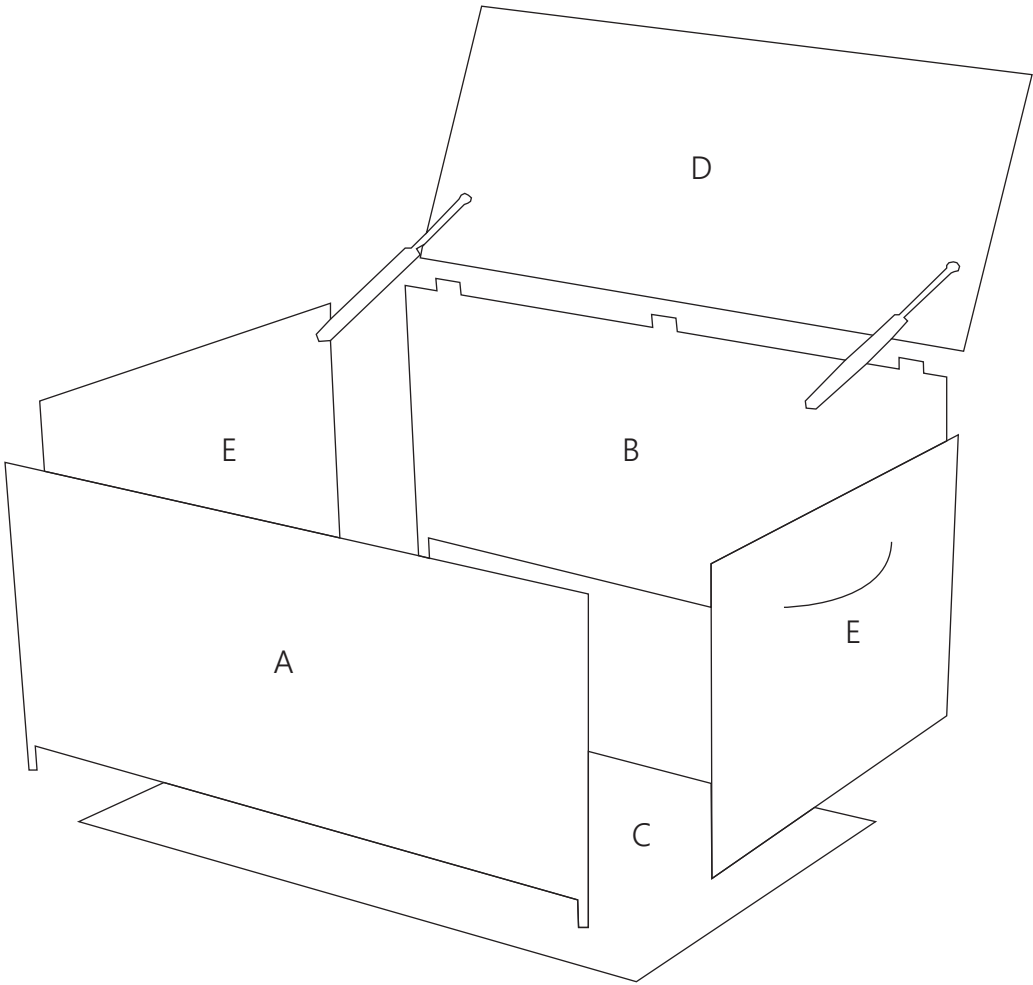
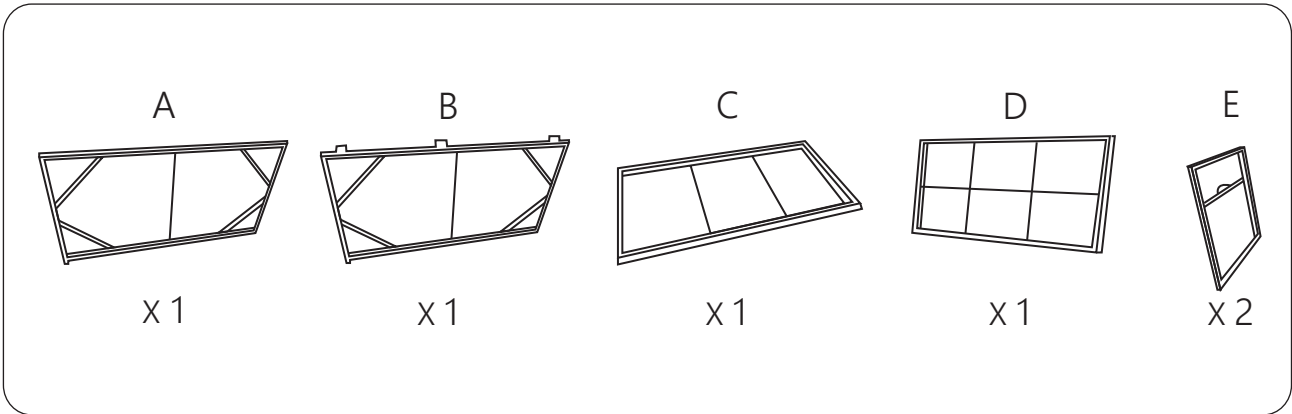


45'



1

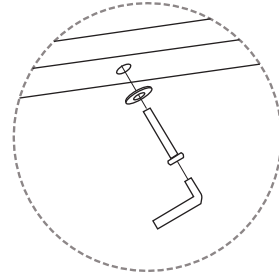
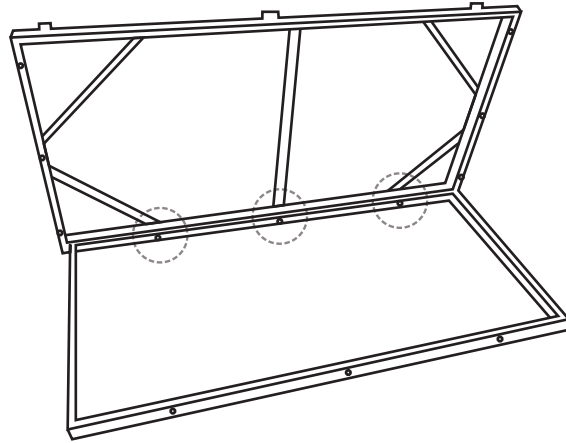


1

Fx3

Hx3

K x1

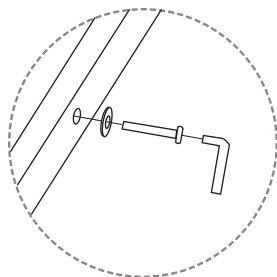
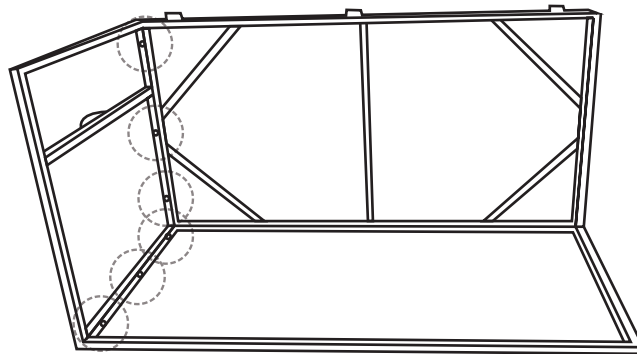


2

Fx6

Hx6

K x1

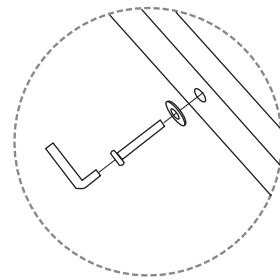
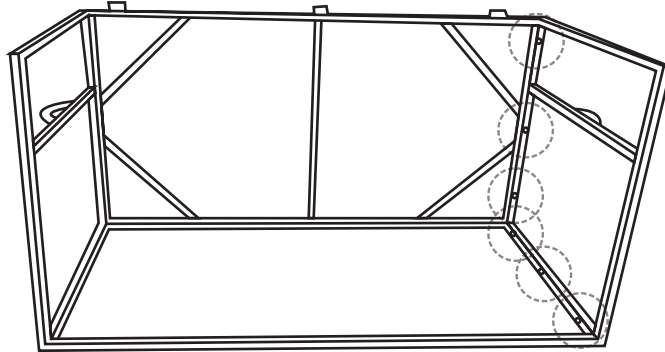


3

Fx6

Hx6

K x1

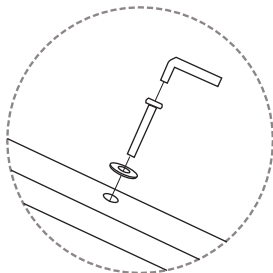
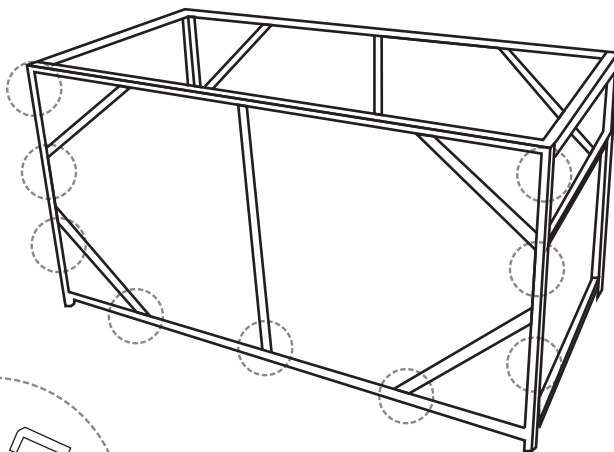


4

Fx9

Hx9

K x1

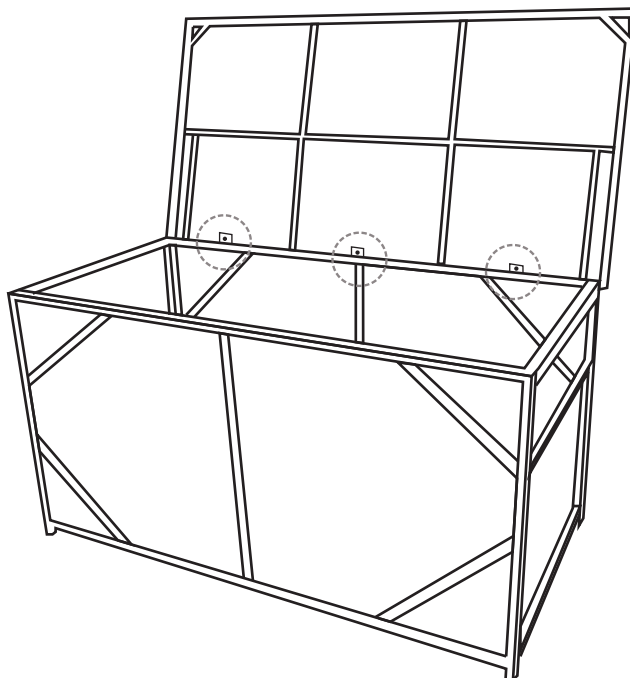
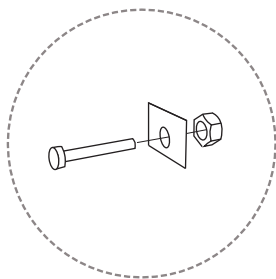


5

Gx3

Hx3

Lx1



6

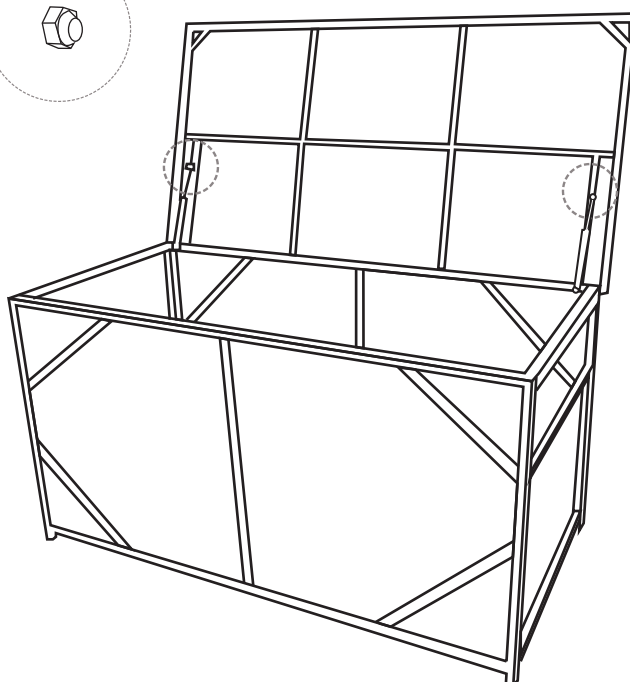
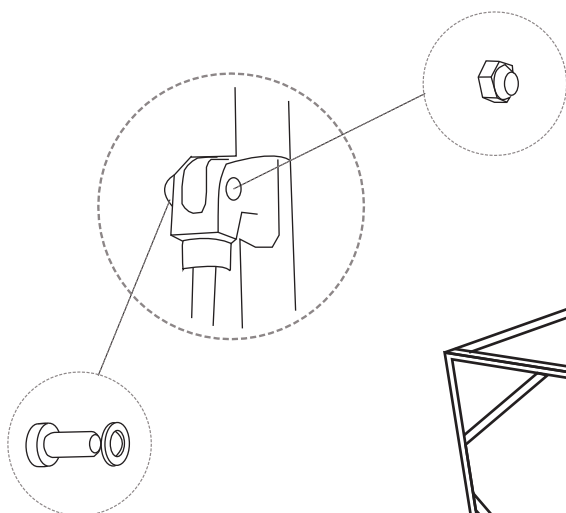
Gx2

Ix2

Fx2

Kx1

Lx1



7



Gx2



Ix2



Fx2



Kx1



Lx1

