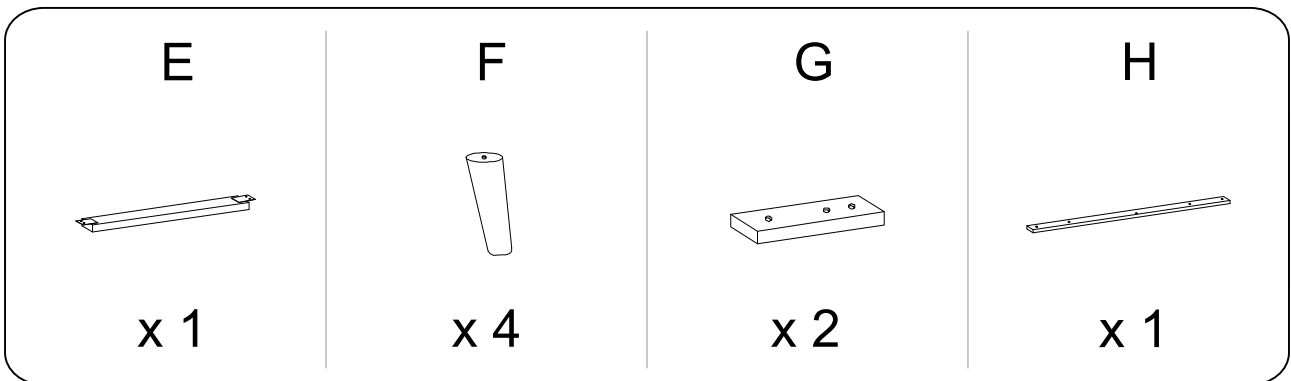
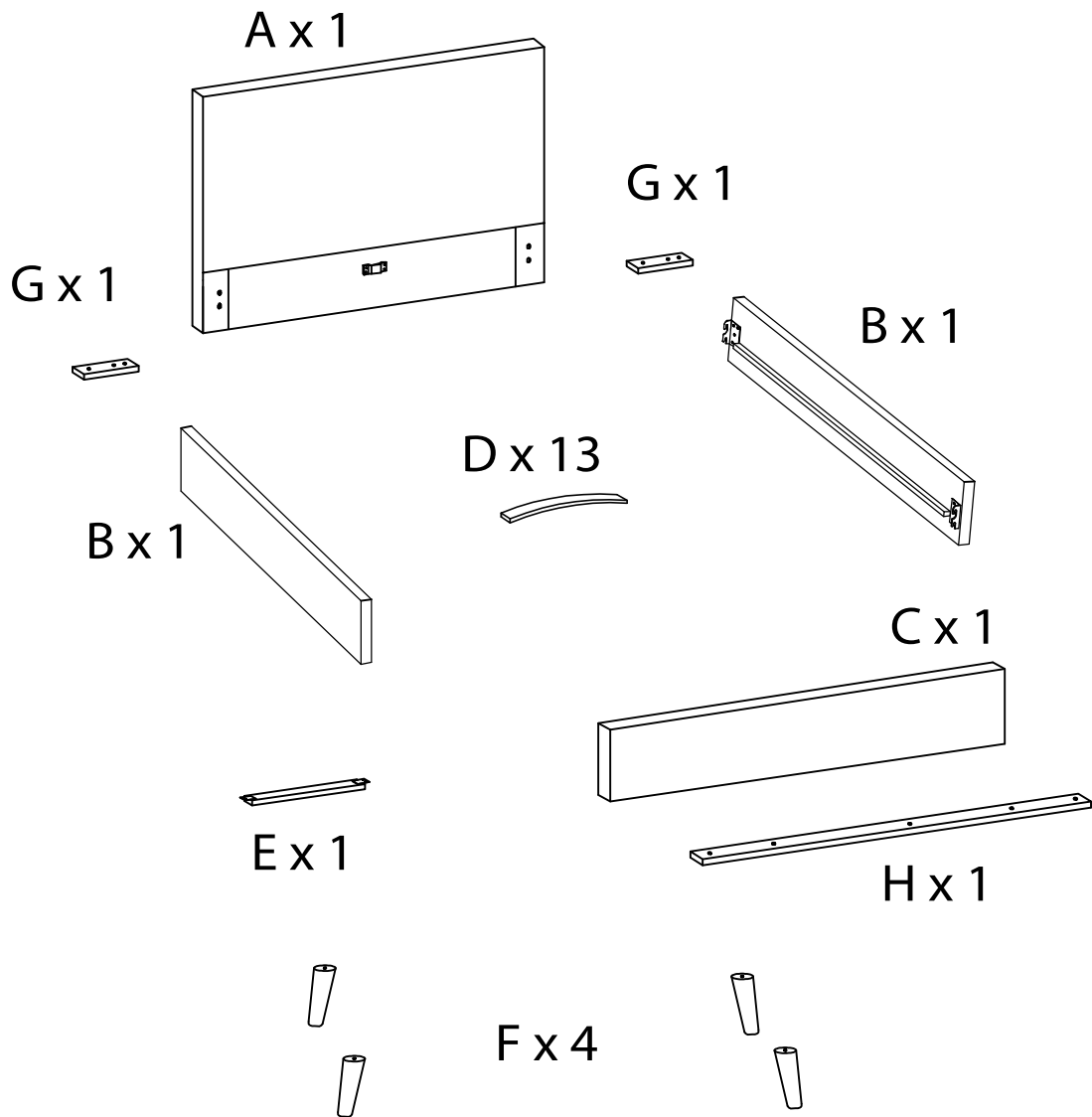
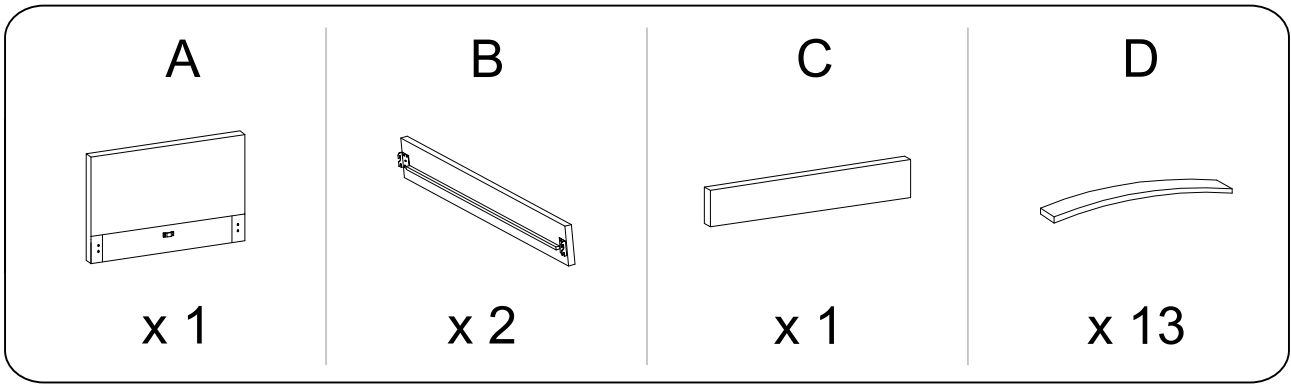
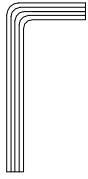


Assembly instructions for step 1/8:

- Tools:** An icon in a circle shows an Allen key and a screwdriver. A power drill is shown with a diagonal line through it, indicating it should not be used.
- Warning:** A triangle with an exclamation mark indicates a warning.
- Time:** A clock icon is shown with the number "40'" below it, indicating an estimated assembly time of 40 minutes.
- Personnel:** An icon of a person is shown with the number "1" below it, indicating that one person is required for assembly.
- Diagram:** A second warning triangle is shown above a diagram of a rectangular block being placed on a slatted surface. A diagonal line through the block indicates it should not be placed on the slats.

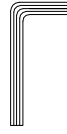


I



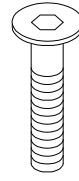
x 1

J



x 1

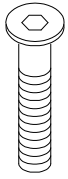
K



M8
x
35

x 4

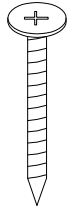
L



M6
x
35

x 7

M



M4
x
40

x 4

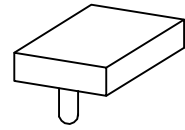
N



M3,5
x
16

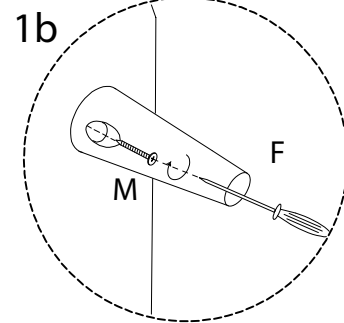
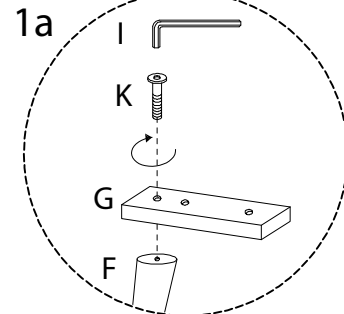
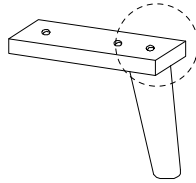
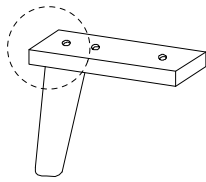
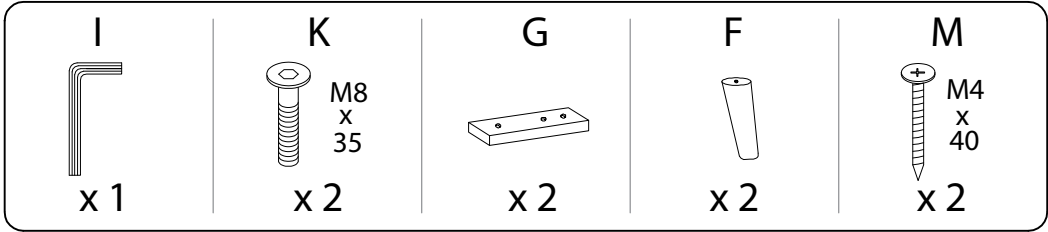
x 4

O

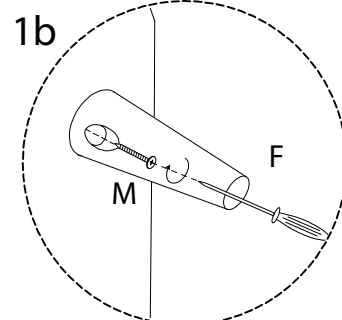
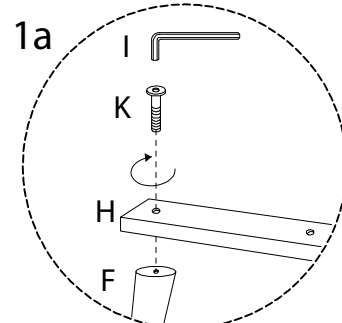
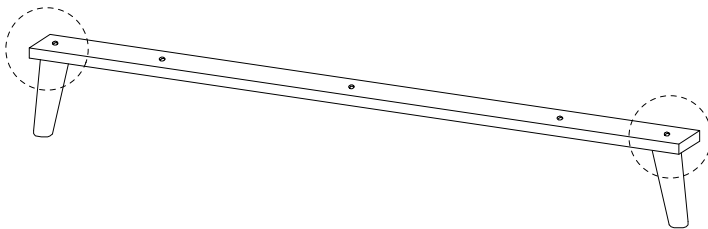
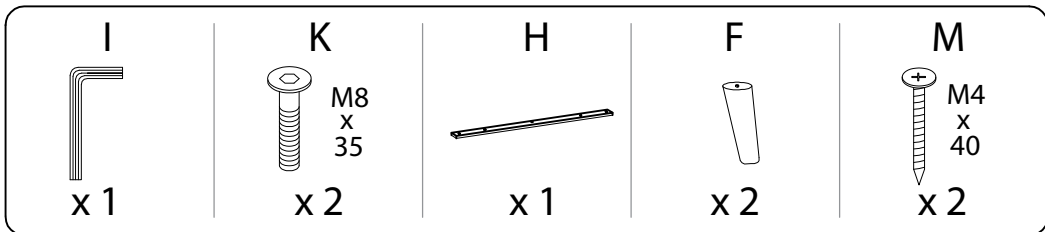


x 26

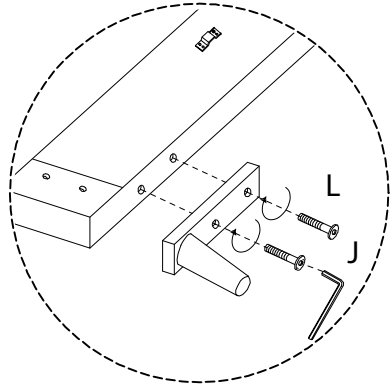
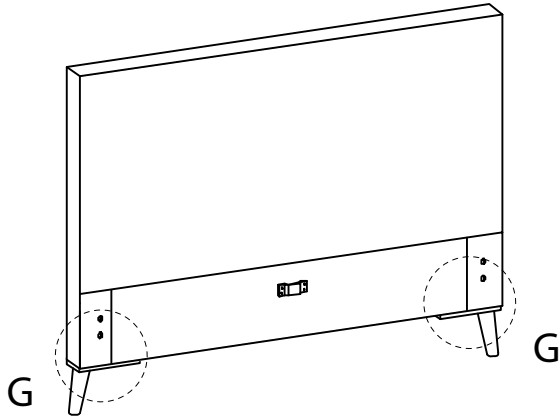
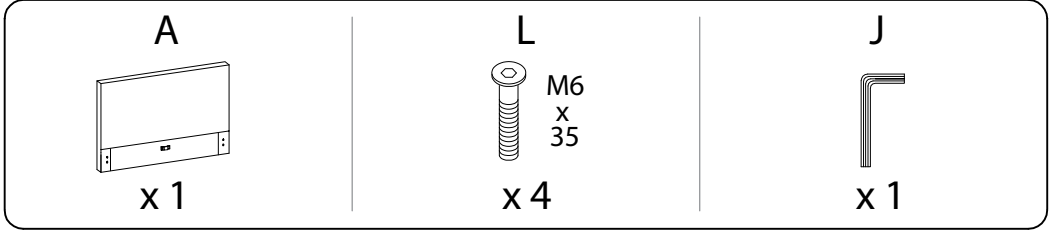
1



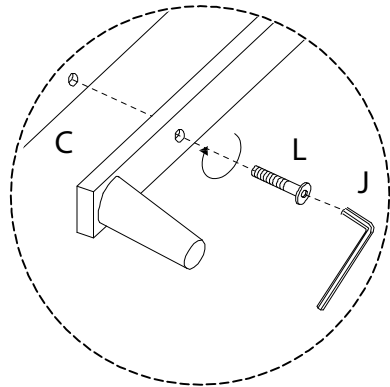
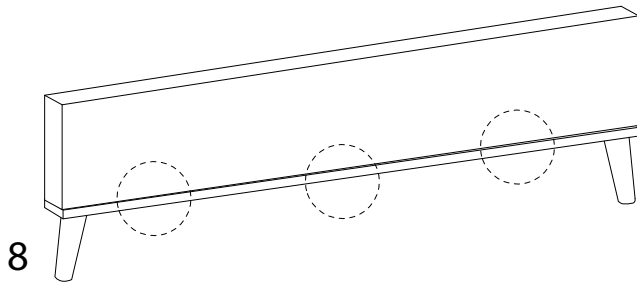
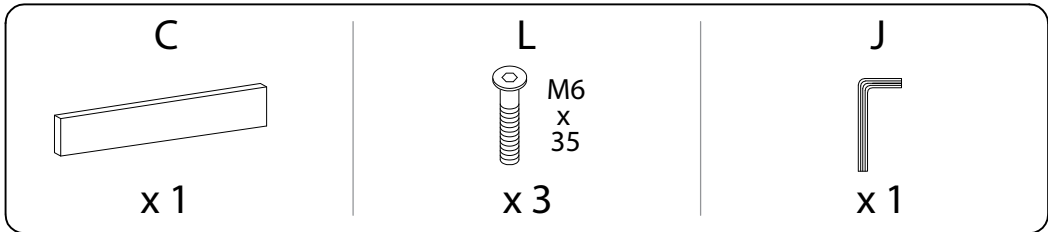
2



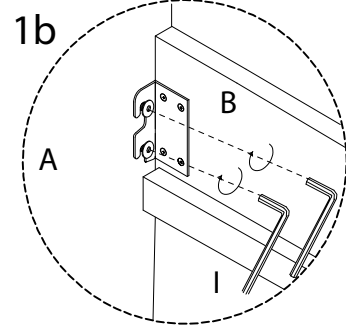
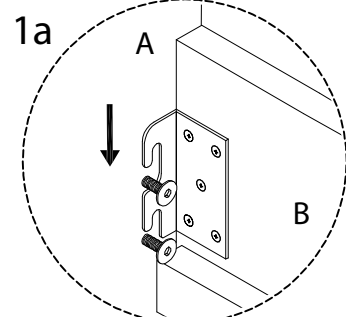
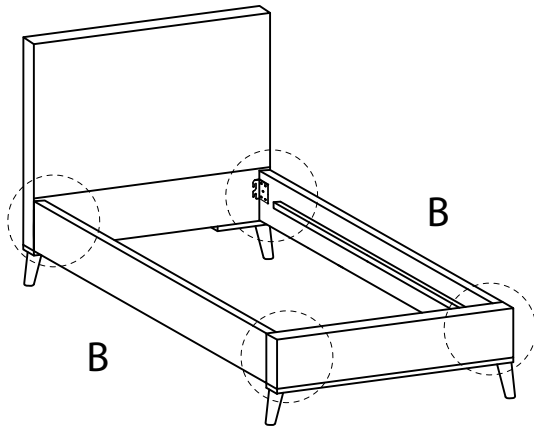
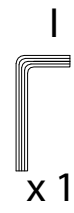
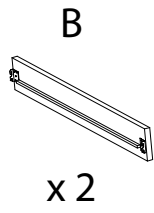
3



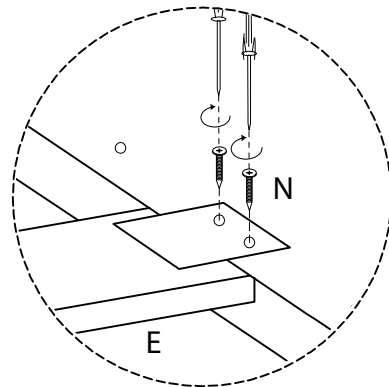
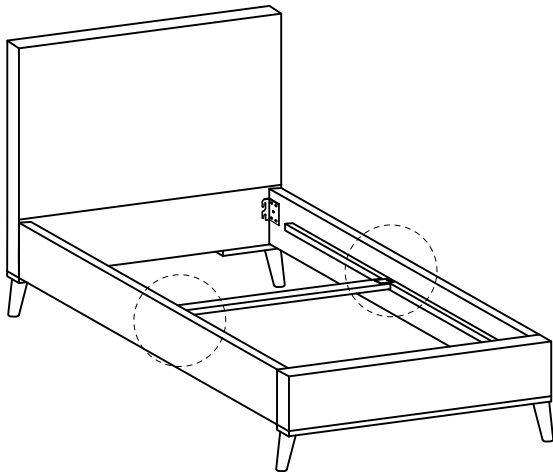
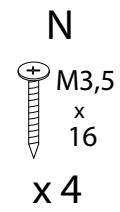
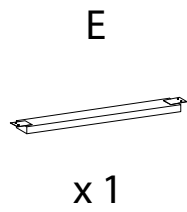
4



5



6



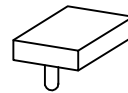
7

D

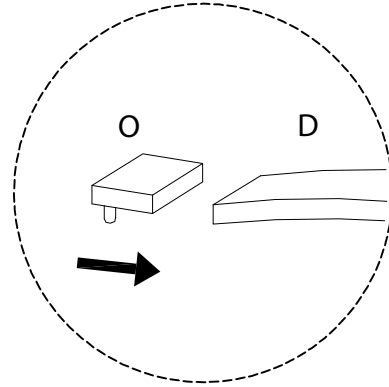
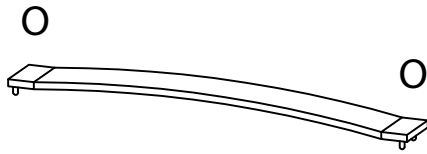


x 13

O



x 26



8

