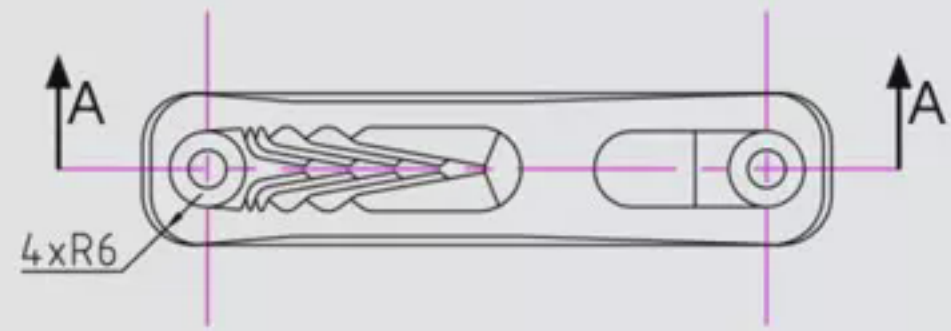
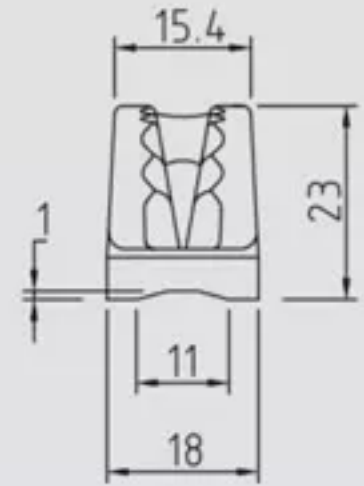
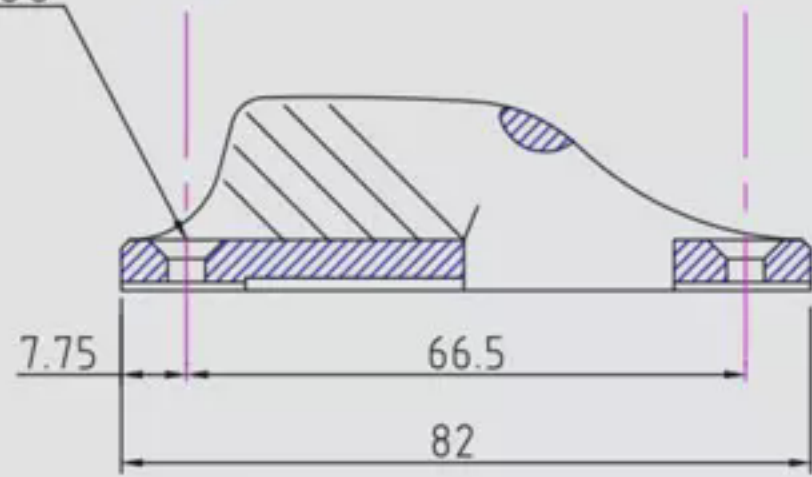
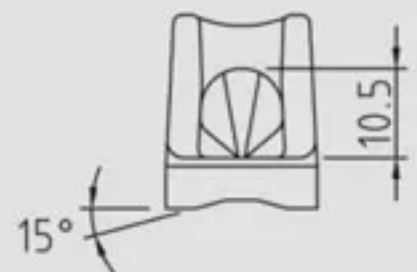


2 Holes Ø4.5  
countersunk Ø9.0x90°

Section 'AA'



Clamcleats Limited  
Watchmead  
Welwyn Garden City  
Hertfordshire AL7 1AP  
England

Telephone +44 (0)1707 330101  
Fax +44 (0)1707 321269  
<http://www.clamcleat-rope-cleats.com>



Scale 1:1  
All dimensions in mm.

Issue: 3, May 2006  
ID203.dwg

Material:  
Nylon

Installation Drawing for:-

**CL203**  
Junior