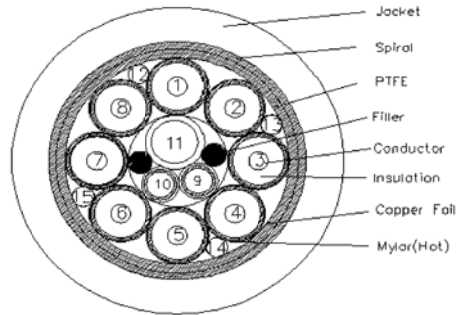


1. Test:
 1. 100% short circuit, open circuit and dislocation test;
 2. conduction impedance: 3ω (Max);
 3. 3% sampling characteristic attenuation test, according to USB4 test standard;



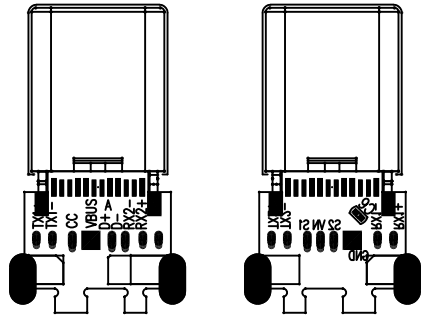
Pin Assignment

	PCB-P1		PCB-P2
RXp1+	B11	A2	TXp1+
RXn1-	B10	A3	TXn1-
TXp1+	A2	B11	RXp1+
TXn1-	A3	B10	RXn1-
RXn2-	A10	B3	TXn2-
RXp2+	A11	B2	TXp2+
TXn2-	B3	A10	RXn2-
TXp2+	B2	A11	RXp2+
CC	A5	A5	CC
VCONN	B5	B5	VCONN
SBU2	B8	A8	SBU1
SBU1	A8	B8	SBU2
D-	A7	A7	D-
D+	A6	A6	D+
VBUS (A4,A9,B4,B9)		A4,A9,B4,B9	
GND(A1,A12,B1,B12)		A1,A12,B1,B12	DRAIN
Shell			Shell

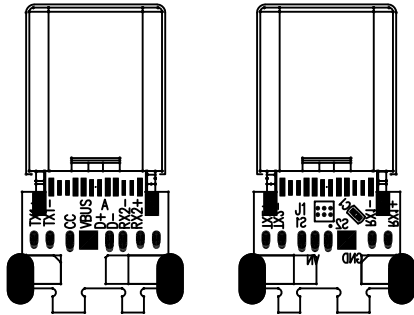
NO	ITEM	DESCRIPTION	Q'TY	UNIT
10	PVC 45P Black		12	g
9	Low pressure forming material		1	g
8	USB4 TYPE-C COAX on Meta Can		2	PCS
7	USB4 TYPE-C COAX Under the Meta Can		2	PCS
6	USB4 TYPE C PCBA E-MARK +Connector+Capacitance		1	PCS
5	USB4.0 TYPE C PCBA PCB+Connector+Capacitance		1	PCS
4	USB3.1 TYPE-C COAX Under the Wire clip		2	PCS
3	USB3.1 TYPE-C COAX On Wire clip		2	PCS
2	Double conductive copper foil		0.07	M
1	USB4 [30AWG (7/0.108SC)+S+CU+M]*8COX+ {[34AWG (7/0.06TC)+S+CU+M]*2COX+23AWG (55/0.08TC)*1C+F} +34AWG (19/0.04TC)*4C+P2S OD:4.95MM Black		0.79	M

REV.	ECN NO	DESCRIPTION	DATE	NAME
①		ACT		
		TITLE: USB4 CM TO CM COAX CABLE (E-Mark) 5A 40G L= 0.8M		
DRAWN BY	Shijie	CUSTOMER :		
CHECK BY		CUSTOMER P/N :	AC7451	
APPD BY		SCALE	NONE	DRAWING NO.:
		UNIT	MM	
		DATE	2021.11.15	REV. A0
				1/2

P1



P2



Product VDO		Cable VDO	
Product ID	0010	HW Version	0001b - 1
Device Version	0400	FW Version	0001b - 1
Cert Stat VDO		VDO Version	000b - Version 1.0
USB-IF assigned TID/XID		Type-C/Captive	10b - Type-C
ID Header (VID)		Latency	0001b - Less than 10ns (~1m)
As USB Host	0b - Others	Tem Type	01b - VCONN required
As USB device	0b - Others	Max Voltage	00b - 20V
Product Type	011b - Passive Cable	Vbus Current	10b - 5A
Modal Operation	1b - Support Modal Operation	SS Signaling	011b - USB4 Gen3
USB Vendor ID	2095	Thunderbolt Mode VDO	
Connector Type	11b - USB Type-C Plug (USB4 Gen3)	TBT Rounded	01b - 3rd & 4th Gen Rounded and Non-Rounded TBT

REV.	ECN NO	DESCRIPTION	DATE	NAME	
	TOLERANCE				
		INCHES			M/M
	.X	.015			.30
	.XX	.010	.10	TITLE: USB4 CM TO CM COAX CABLE (E-Mark) 5A 40G L= 0.8M	
	.XXX	.005	.05		
DRAWN BY	Shijie		CUSTOMER :		
CHECK BY		CUSTOMER P/N :	AC7451		
APPD BY		SCALE	NONE	DRAWING NO.:	REV. A0
		UNIT	MM		
		DATE	2021.11.15		