

Model HPB-830



User manual – Bluetooth headphone with active noise canceling (ANC)

Gebruikshandleiding – Bluetooth-hoofdtelefoon met actieve ruisonderdrukking (ANC)

Benutzerhandbuch – Bluetooth-Kopfhörer mit aktiver Geräuschunterdrückung (Active Noise Cancelling, ANC)

Mode d'emploi – Casque Bluetooth avec réduction active du bruit (ANC)

Manual del usuario – Auriculares Bluetooth con cancelación activa de ruido (CAR)

Brugervejledning – Bluetooth-headset med aktiv støjreduktion (ANC)

Bruksanvisning – Bluetooth-hörlurar med aktiv brusreducering (ANC)

Index

ENGLISH	3
NEDERLANDS	13
DEUTSCH	24
FRANÇAIS	35
ESPAÑOL.....	46
DANSK/NORSK	57
SVENSKA.....	67

CAUTION:

Usage of controls or adjustments or performance of procedures other than those specified herein may result in hazardous radiation exposure.

PRECAUTIONS BEFORE USE**KEEP THESE INSTRUCTIONS IN MIND:**

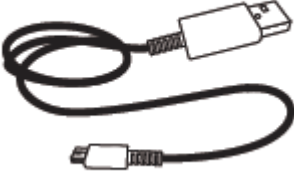
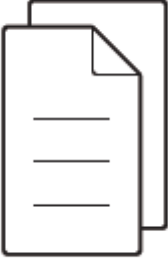

1. Do not cover or block any ventilation openings. When placing the device on a shelf, leave 5 cm (2") free space around the whole device.
2. Install in accordance with the supplied user manual.
3. Keep the device away from heat sources such as radiators, heaters, stoves, candles and other heat-generating products or naked flame.
The device can only be used in moderate climates. Extremely cold or warm environments should be avoided. Working temperature between 0° and 35°C.
4. Avoid using the device near strong magnetic fields.
5. Electrostatic discharge can disturb normal usage of this device. If so, simply reset and restart the device following the instruction manual. During file transmission, please handle with care and operate in a static-free environment.
6. Warning! Never insert an object into the product through the vents or openings. High voltage flows through the product and inserting an object can cause electric shock and/or short circuit internal parts. For the same reason, do not spill water or liquid on the product.
7. Do not use in wet or moist areas such as bathrooms, steamy kitchens or near swimming pools.
8. The device shall not be exposed to dripping or splashing and make sure that no objects filled with liquids, such as vases, are placed on or near the apparatus.
9. Do not use this device when condensation may occur. When the unit is used in a warm wet room with damp, water droplets or condensation may occur inside the unit and the unit may not function properly; let the unit stand in power OFF for 1 or 2 hours before turning on the power: the unit should be dry before getting any power.
10. Although this device is manufactured with the utmost care and checked several times before leaving the factory, it is still possible that problems may occur, as with all electrical appliances. If you notice smoke, an excessive build-up of heat or any other unexpected phenomena, you should disconnect the plug from the main power socket immediately.
11. This device must operate on a power source as specified on the specification label. If you are not sure of the type of power supply used in your home, consult your dealer or local power company.
12. Keep away from animals. Some animals enjoy biting on power cords.
13. To clean the device, use a soft dry cloth. Do not use solvents or petrol based fluids.
To remove severe stains, you may use a damp cloth with dilute detergent.
14. The supplier is not responsible for damage or lost data caused by malfunction, misuse, modification of the device or battery replacement.
15. Do not interrupt the connection when the device is formatting or transferring files. Otherwise, data may be corrupted or lost.
16. If the unit has USB playback function, the USB memory stick should be plugged into the unit directly. Don't use an USB extension cable because it can cause interference resulting in failing of data.
17. The rating label has been marked on the bottom or back panel of the device.
18. This device is not intended for use by people (including children) with physical, sensory or mental disabilities, or a lack of experience and knowledge, unless they're under supervision or have received instructions about the correct use of the device by the person who is responsible for their safety.
19. This product is intended for non professional use only and not for commercial or industrial use.
20. Make sure the unit is adjusted to a stable position. Damage caused by using this product in an unstable position vibrations or shocks or by failure to follow any other warning or precaution contained within this user manual will not be covered by warranty.
21. Never remove the casing of this device.
22. Never place this device on other electrical equipment.
23. Do not allow children access to plastic bags.
24. Only use attachments/accessories specified by the manufacturer.
25. Refer all servicing to qualified service personnel. Servicing is required when the device has been damaged in any way, such as the power supply cord or the plug, when liquid has been spilled or objects have fallen into the device, when the device has been exposed to rain or moisture, does not operate normally, or has been dropped.
26. Long exposure to loud sounds from personal music players may lead to temporary or permanent hearing loss.

27. If the product is delivered with power cable or AC power adaptor:
- If any trouble occur, disconnect the AC power cord and refer servicing to qualified personnel.
 - Don't step on or pinch the power adaptor. Be very careful, particularly near the plugs and the cable's exit point. Do not place heavy items on the power adaptor, which may damage it. Keep the entire device out of children's reach! When playing with the power cable, they can seriously injure themselves.
 - Unplug this device during lightning storms or when unused for a long period.
 - The socket outlet must be installed near the equipment and must be easily accessible.
 - Do not overload ac outlets or extension cords. Overloading can cause fire or electric shock.
 - Devices with class 1 construction should be connected to a main socket outlet with a protective earthed connection.
 - Devices with class 2 construction do not require a earthed connection.
 - Always hold the plug when pulling it out of the main supply socket. Do not pull the power cord. This can cause a short circuit.
 - Do not use a damaged power cord or plug or a loose outlet. Doing so may result in fire or electric shock.
28. If the product contains or is delivered with a remote control containing coin/cell batteries:
Warning:
- "Do not ingest battery, Chemical Burn Hazard" or equivalent working.
 - [The remote control supplied with] This product contains a coin/button cell battery. If the battery is swallowed, it can cause severe internal burns in just 2 hours and can lead to death.
 - Keep new and used batteries away from children.
 - If the battery compartment does not close securely, stop using the product and keep it away from children.
 - If you think batteries might have been swallowed or placed inside any part of the body, seek immediate medical attention.
29. Caution about the use of Batteries:
- Danger of explosion if battery is incorrectly replaced. Replace only with the same or equivalent type.
 - Battery cannot be subjected to high or low extreme temperatures, low air pressure at high altitude during use, storage or transportation.
 - Replacement of a battery with an incorrect type that can result in an explosion or the leakage of flammable liquid or gas.
 - Disposal of a battery into fire or a hot oven, or mechanically crushing or cutting of a battery, that can result in an explosion.
 - Leaving a battery in an extremely high temperature surrounding environment that can result in an explosion or that leakage of flammable liquid or gas.
 - A battery subjected to extremely low air pressure that may result in an explosion or the leakage of flammable liquid or gas.
 - Attention should be drawn to the environmental aspects of battery disposal.

INSTALLATION

- Unpack all parts and remove protective material.
- Do not connect the unit to the mains before checking the mains voltage and before all other connections have been made.

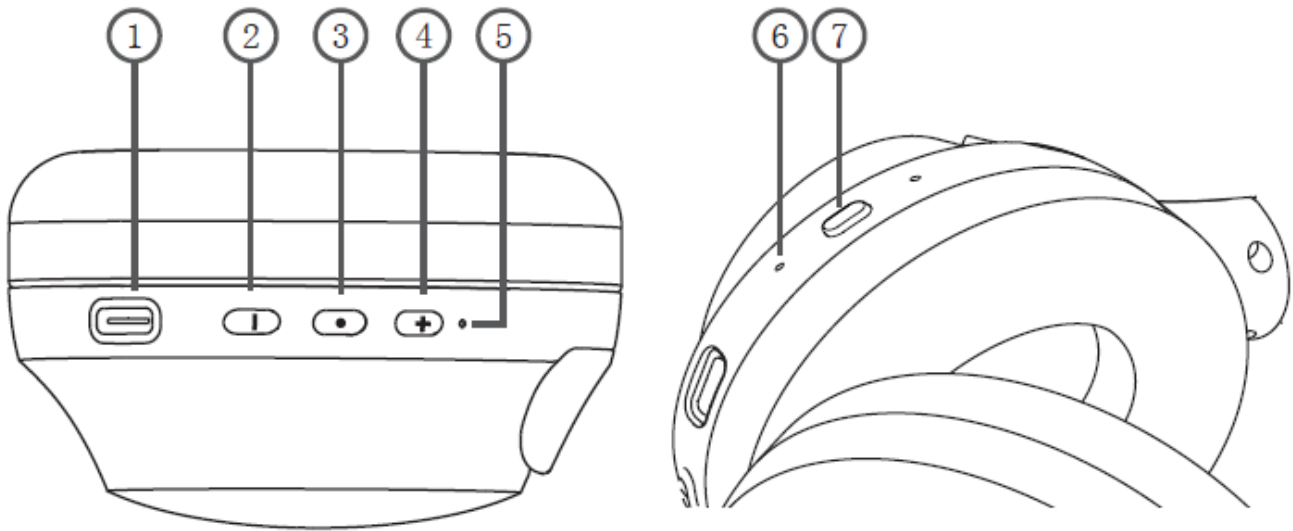
Package contents

Headphone	1 piece
<p data-bbox="311 248 568 282">Type-C Charging Cable</p> 	1 piece
<p data-bbox="360 622 518 656">User Manual</p> 	1 piece
<p data-bbox="376 1079 504 1113">Carry case</p> 	1 piece

Keys and Parts

The headset contains the following parts:

- Headset*1
- Charging cable*1
- Manual*1
- Carry case*1



1. Type-C Charging Port
2. Volume Decrease -/Previous Song
3. MFB (Power On/Off: Answer/End Phone Call; Play/Pause)
4. Volume Increase +/ Next Song
5. LED Indicator Light
6. ANC LED Indicator Light
7. ANC button

With the Lenco HPB-830 headphone you can listen to your favorite music and receive/make hands-free calls on your mobile phone or from a compatible Bluetooth device.

Bluetooth®

Bluetooth® wireless technology lets you stream music from Bluetooth smartphones, tablets, computers or other audio devices to your headphones.

Before you can stream music from a Bluetooth device, you must pair the device with your headphones.

Follow below instructions how to pair the HPB-830 headphone.

Active Noise cancelling (ANC)

Reduces unwanted environment noise providing a clearer, more lifelike audio

performance. On the HPB-830 you can use active noise cancelling(ANC) while listening to audio, or you can use the noise cancelling without music.

Operating Instructions and LED Indicator information.

To	Do this
Power on	Press and hold MFB for 2~3 seconds; Prompt tone: Power on; LED: Blue light.
Power off	Press and hold MFB for 5~6 seconds; Prompt tone: Power off; LED: Red light turn off.
Pairing	Press and hold MFB for 5~6 seconds; Prompt tone: Pairing; LED: Blue LED & Red LED flash alternatively. (NOTE: when ANC is active then the color will be green/blue) Once the headphone is connected with a device, there will be a prompt tone: Connected.
Adjust the volume	Short press +/- button. When the max volume is reached the headphones will indicate with a prompt tone: Max Volume.
Play/pause	Press MFB once to pause. Press again to resume.
Next track	Long press + button
Previous track	Long press – button
Answer a call	Quick Press MFB
End a call	Quick Press MFB
Reject a call	Press and hold MFB for 2 seconds prompt tone: Dong.
Incoming call	Blue LED
Charging	Red LED light solid during charging
Charging completed	LED light will turn off

Pairing

1. Ensure that your phone or Bluetooth device is switched on.
2. To pair the headset that has not been previously paired with a device, please switch on the headset. Then, the headset enters the pairing mode, and the blue & red indicator light starts to flash alternately quickly. To pair the headset that has been previously paired with another device, please make sure that the other device is switched off.
3. Activate the Bluetooth on your phone or Bluetooth device, and set it to searching Bluetooth device.
4. Select “Lenco HPB-830” from the list of found devices on your phone or Bluetooth devices.
5. When Bluetooth is paired successfully, there will be prompt tone and the blue light turns to lighting continuously.

Remark: You can switch off the blue Bluetooth light when listening to the music, by pressing the **Next (4)** and **Previous (2)** buttons simultaneously, until the blue led blinks 3 times.

(Repeat this procedure to enable the blue light again.)

The headset that has been previously paired with a device will automatically connect with the device if the device is powered on and within connecting range. If not, the headset will enter standby mode and the blue light will keep lighting. Under Bluetooth searching mode or re-connecting mode, the headset will switch off the Bluetooth automatically after 5 minutes.

Charging

The headset contains a type-C USB cable that can be connected to your computer or other device made for USB charging. Please plug the type-C USB end of the included USB cable into the USB C socket under the Right ear-cap of the headphone, and plug the other end into a USB port on your computer or other devices made for USB charging.

The indicator light will be red while charging. Once fully charged, the indicator light will turn off. Charge time is two hours on an empty battery.

The headset is with built-in lithium battery. Please charge at least 4 hours before first use.
(Suggestion: Don't use a car charger at first time).

Active Noise Cancelling On:

Short press the ANC button. You'll hear "ANC on". Green LED light will turn on.

NOTE: The ANC function can also be used without music. When answering the call, ANC function does not work

Active Noise Cancelling Off:

Short press the ANC button. You'll hear "ANC off". Green LED light will turn off.

Low Latency On:

Short press twice the ANC button. You'll hear "Low Latency on".

In this mode, Imperceptible delay for perfect lip sync and responsive gaming

Low Latency Off:

Short press twice the ANC button. You'll hear "Low Latency off"

Phone calls

To answer or end a call, when phone call comes, quickly press MFB to answer it or press and hold MFB about 1.5 seconds to reject the call.

Listen to Music

Connect the headset to phone or compatible Bluetooth devices that support A2DP Bluetooth profile. The available music functions depend on your Bluetooth devices. If you receive or make a call while listening to music, the music is paused until the call ends.

Disconnect the headset

To disconnect the headset from your device, switch off the headset, or disconnect the Bluetooth function in your bluetooth device.

Reconnect the Headset

To reconnect the HPB-830 switch on by pressing the power button for 3 seconds, the HPB-830 will turn on and automatically connects to the previously connected device. When connected successfully it will prompt "connected"

Reset to factory settings.

1. Go to the Bluetooth settings menu on your phone. Select the device listed as "HPB-830" and choose to forget the device.
2. If your HPB-830 was turned on, the led light starts flashing blue/red. When It was off, turn the HPB-830 on. The light will start blinking blue/red (pairing mode)
3. Press and hold the +/-buttons simultaneously for 10 seconds until you see the light flashes red 3 times, after that the HPB-830 will turn off.
4. The factory reset is now completed.

Connecting To The Smart Life APP or to the TUYA APP

1. Download the app by scanning the QR code using your mobile phone, or search for “Smart Life” in the mobile app store and download the app
2. Start the “Smart Life” app or to the TUYA APP and sign up with a new account or use your existing account.
3. Proceed to the next step “Add device” to set the password.
4. Switch on Bluetooth; nearby devices will be found based on the strength of the signal.
- 5 Press the blue 'Add' button when the HPB-830 picture is shown.
6. Wait for the prompt “Connection”
7. Adding the device successful: “completed” is displayed
8. Your device is successfully connected.

Note: When the HPB-830 was previously connected to another device, it’s necessary to do a factory reset, since it can only connect to 1 tuyu/smartlife account.

please follow the instructions ‘Reset to factory settings’ in this manual.

APP



SMART CONTROLS On the User-Interface

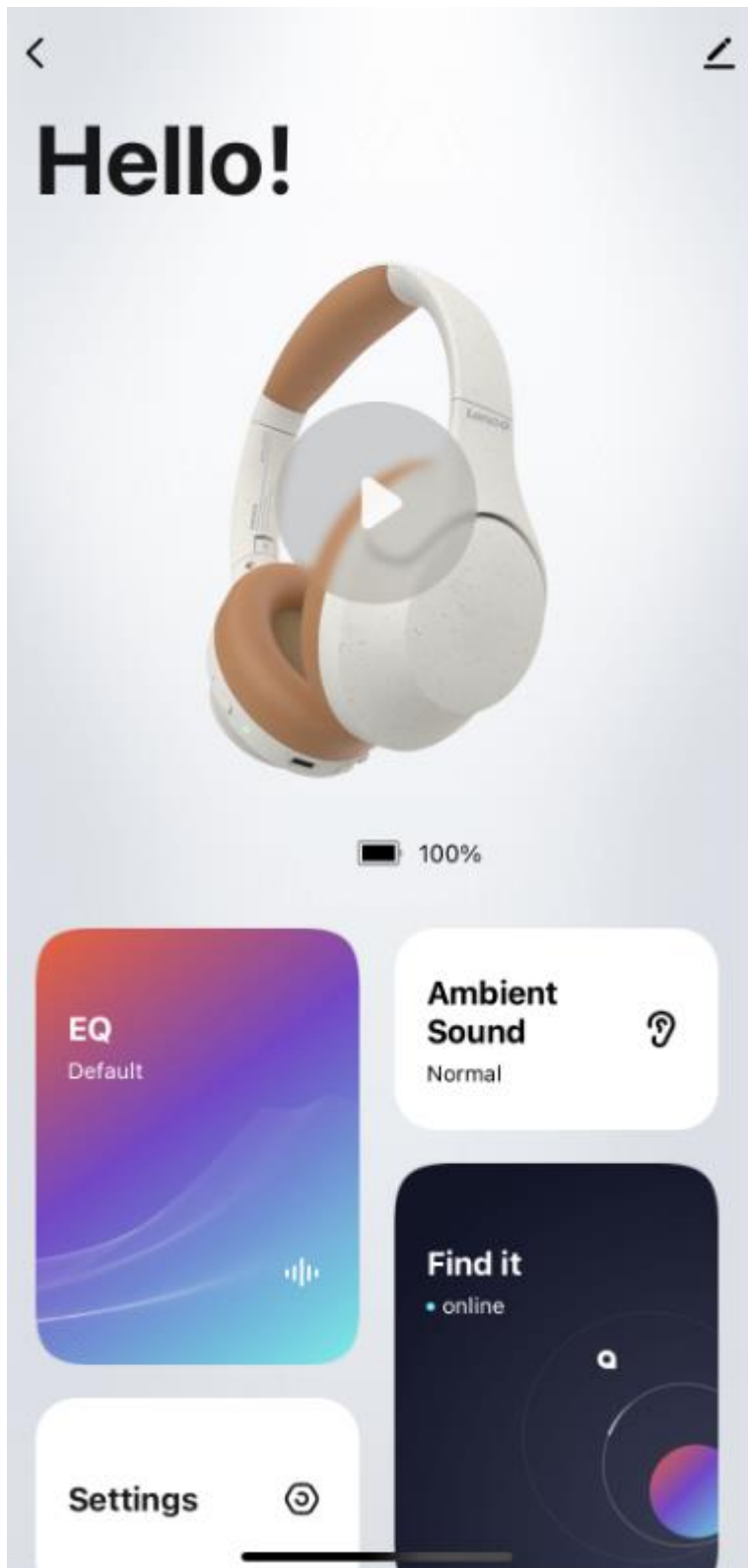
- Touch headphone images to enjoy volume and track controls, plus play/pause with intuitive touch control functions.
- Click “EQ Equalizer”

Tailor the sound experience to your taste with a choice of presets and an intuitive equalizer feature.

- Click “Ambient sound” to turn ON/OFF ANC
- Click “Setting” to edit bluetooth name

- Click “Find it” to anti-lost your headphone

NOTE : when ANC is active, the equalizer function is disabled.



Bluetooth

The headset is compliant with the Bluetooth Specification 5.3, support the following profiles: Headset Profile (HSP), Hands-free Profile (HFP) Advanced Audio Distribution Profile (A2DP), and Audio Video Remote Control Profile (AVRCP).

Using distance should be kept within 15 meters (49 feet) of each other without any no barrier between them, to avoid sound quality problems.

Specifications

Driver unit	40mm Neodymium
Impedance	32Ω
Driver unit Frequency	20Hz-20K Hz
Headphone Sensitivity	98dB±3dB at1KhZ
Noise Reduction Range	YES (ANC)
Microphone Sensitivity	-42dB±3dB at1KhZ
Bluetooth Version	V5.3
Radio Frequency coverage	2.402GHZ~2.480 GHZ
Transmit Range	≤15m (barrier free)
Status Indication	LED red and blue indicator
Pairing products	Bluetooth computer with HSP, HFP, A2DP, AVRCP Bluetooth protocol, USB Bluetooth adapter, Bluetooth cell phones, etc.,
Battery	Rechargeable lithium ion battery, 3.7V, 400mAh
Charging	Computer USB interface/ DC 5V/500mA charger
Charging Time	2.5 hours
Working Time	up to 60 hours (without ANC)
Standby Time	250 hours
Weight	240g

GUARANTEE

Lenco offers service and warranty in accordance to European law, which means that in case of repairs (both during and after the warranty period) you should contact your local dealer.

Important note: It is not possible to send products that need repairs to Lenco directly.

Important note: If this unit is opened or accessed by a non-official service center in any way, the warranty expires.

This device is not suitable for professional use. In case of professional use, all warranty obligations of the manufacturer will be voided.

DISCLAIMER

Updates to Firmware and/or hardware components are made regularly. Therefore some of the instruction, specifications and pictures in this documentation may differ slightly from your particular situation. All items

described in this guide for illustration purposes only and may not apply to particular situation. No legal right or entitlements may be obtained from the description made in this manual.

DISPOSAL OF THE OLD DEVICE



This symbol indicates that the relevant electrical product or battery should not be disposed of as general household waste in Europe. To ensure the correct waste treatment of the product and battery, please dispose them in accordance to any applicable local laws of requirement for disposal of electrical equipment or batteries. In so doing, you will help to conserve natural resources and improve standards of environmental protection in treatment and disposal of electrical waste (Waste Electrical and Electronic Equipment Directive).

DECLARATION OF CONFORMITY

Hereby, Commaxx declares that the radio equipment type [Lenco HPB-830] is in compliance with directive 2014/53/EU.

The full text of the EU declaration of conformity is available at the following internet address:

https://commaxx-certificates.com/doc/hpb-830_doc.pdf

Type RF	Frequency range (MHz)	Power (dBm)
Bluetooth	2402-2480	<6

SERVICE

For more information and help-desk support, please visit www.lenco.com

Commaxx B.V. Wiebachstraat 37, 6466 NG Kerkrade, The Netherlands.

VOORZICHTIG:

Het gebruik van bedieningen of afstellingen of het uitvoeren van procedures anders dan hierin gespecificeerd, kan leiden tot blootstelling aan gevaarlijke straling.

VOORZORGSMAATREGELEN VÓÓR GEBRUIK**ONTHOUD DEZE INSTRUCTIES:**

1. Bedek of blokkeer geen van de ventilatieopeningen. Als u het apparaat op een plank plaatst, laat dan 5 cm (2") ruimte vrij rond het hele apparaat.
2. Installeer in overeenstemming met de meegeleverde gebruikshandleiding.
3. Houd het apparaat uit de buurt van warmtebronnen zoals radiatoren, kachels, fornuizen, kaarsen en andere warmtegenererende producten of open vuur.
Het apparaat kan alleen worden gebruikt in gematigde klimaten. Extreem koude of warme omgevingen dienen te worden vermeden. Bedrijfstemperatuur tussen 0° en 35°C.
4. Gebruik het apparaat niet in de buurt van krachtige magnetische velden.
5. Elektrostatische ontlading kan de normale werking van dit apparaat verstoren. Indien dit het geval is, reset dan gewoon het apparaat en start het opnieuw op in navolging van de handleiding. Wees voorzichtig tijdens de bestandsoverdracht en voer dit uit in een omgeving zonder statische interferentie.
6. Waarschuwing! Steek geen voorwerpen in het product via de ventilatie- of andere openingen. Er is hoge spanning aanwezig in het product en als u er een voorwerp insteekt, kan dat tot elektrische schokken en/of kortsluiting van de interne onderdelen leiden. Laat om dezelfde reden geen water of vloeistof op het product terechtkomen.
7. Gebruik het apparaat niet in natte of vochtige ruimtes zoals badkamers, keukens met veel stoom of in de buurt van zwembaden.
8. Stel het apparaat niet bloot druppels of spetters en zorg ervoor dat er geen met vloeistof gevulde voorwerpen, zoals vazen, op of in de buurt van het apparaat worden geplaatst.
9. Gebruik dit apparaat niet als er condensatie kan optreden. Wanneer het apparaat in een warme en vochtige kamer wordt gebruikt, dan kunnen er waterdruppeltjes of condensatie binnenin het apparaat worden gevormd waardoor het apparaat mogelijk niet meer goed werkt; houd en apparaat 1 of 2 uur op UIT staan voordat u de voeding weer inschakelt: het apparaat dient droog te zijn voordat deze stroom ontvangt.
10. Al is dit apparaat met de grootste zorg vervaardigd en meerdere keren gecontroleerd voordat deze de fabriek verlaat, is het toch mogelijk dat er problemen optreden, zoals bij alle elektrische apparaten. Als u rook, overmatige warmteontwikkeling of andere onverwachte verschijnselen constateert, dient u onmiddellijk de stekker uit het stopcontact te trekken.
11. Dit apparaat moet van stroom worden voorzien door een bron zoals gespecificeerd op het nominale specificatielabel. Als u niet zeker weet welk type stroomvoorziening in uw huis wordt gebruikt, neem dan contact op met uw dealer of het plaatselijke energiebedrijf.
12. Houd uit de buurt van dieren. Sommige dieren houden ervan om aan stroomkabels te bijten.
13. Gebruik een zachte, droge doek om het apparaat schoon te maken. Gebruik geen oplosmiddelen of vloeistoffen op benzinebasis.
U kunt een vochtige doek met verdund schoonmaakmiddel gebruiken om hardnekkige vlekken te verwijderen.
14. De leverancier is niet verantwoordelijk voor schade of verlies van gegevens veroorzaakt door storing, misbruik, modificatie van het apparaat of vervanging van de batterij.
15. Zorg ervoor de verbinding niet te verbreken terwijl het apparaat bezig is met formatteren of bestandsoverdracht. Gegevens kunnen anders corrupt of verloren raken.
16. Als het apparaat een USB-afspeelfunctie heeft, moet de USB-geheugenstick rechtstreeks in het apparaat worden gestoken. Gebruik geen USB-verlengsnoer, omdat deze interferentie kan veroorzaken waardoor uw gegevens verloren kunnen gaan.
17. Het nominale specificatielabel is te vinden op het onder- of achterpaneel van het apparaat.
18. Dit product is niet bestemd voor gebruik door personen (waaronder kinderen) met verminderde fysieke, zintuiglijke of mentale capaciteiten, of met een tekort aan kennis en ervaring, tenzij een persoon verantwoordelijk voor hun veiligheid toezicht houdt of instructies heeft gegeven voor het correcte gebruik van het apparaat.
19. Dit product is uitsluitend bedoeld voor niet-professioneel gebruik en niet voor commercieel of industrieel gebruik.
20. Zorg ervoor dit apparaat op een stabiele plek te plaatsen. Beschadigingen veroorzaakt door het gebruik van dit apparaat in een onstabiele positie, trillingen of schokken of door het niet opvolgen van andere waarschuwingen of voorzorgsmaatregelen beschreven in deze gebruikshandleiding, worden niet gedekt door de garantie.
21. Verwijder nooit de behuizing van dit apparaat.
22. Plaats dit apparaat nooit op andere elektrische apparatuur.

23. Houd plastic zakken uit de buurt van kinderen.
24. Gebruik alleen uitbreidingen/accessoires gespecificeerd door de fabrikant.
25. Laat alle reparaties over aan bevoegd onderhoudspersoneel. Reparatie is vereist wanneer het apparaat op enigerlei wijze is beschadigd, zoals een beschadigde voedingskabel of stekker, wanneer vloeistof is gemorst of voorwerpen in het apparaat zijn gevallen, wanneer het apparaat is blootgesteld aan regen of vocht, niet normaal functioneert of is gevallen.
26. Langdurige blootstelling aan harde geluiden van persoonlijke muzikspelers kan leiden tot tijdelijk of permanent gehoorverlies.
27. Als het product wordt geleverd met een voedingskabel of AC-stroomadapter:
 - Als er problemen optreden, koppel de AC-voedingskabel dan los en laat reparaties over aan bevoegd personeel.
 - Niet op de stroomadapter gaan staan of deze indrukken. Wees zeer voorzichtig, vooral in de buurt van de stekkers en waar de kabel uit het apparaat komt. Plaats geen zware voorwerpen op de stroomadapter, om beschadiging ervan te voorkomen. Houd het gehele apparaat buiten bereik van kinderen! Wanneer kinderen met de voedingskabel spelen, kunnen zij ernstig letsel oplopen.
 - Koppel dit apparaat los tijdens onweer of wanneer deze voor een lange periode niet wordt gebruikt.
 - Het stopcontact moet in de buurt van de apparatuur zijn geïnstalleerd en eenvoudig te bereiken zijn.
 - Zorg ervoor stopcontacten of verlengsnoeren niet te overbelasten. Overbelasting kan tot brand of elektrische schokken leiden.
 - Apparaten met een klasse 1 constructie moeten worden aangesloten op een stopcontact met een beschermende aardeverbinding.
 - Apparaten met een klasse 2 constructie vereisen geen aardeverbinding.
 - Houd altijd de stekker vast wanneer u deze uit het stopcontact trekt. Trek niet aan de voedingskabel. Dit kan anders een kortsluiting veroorzaken.
 - Gebruik geen beschadigde voedingskabel of stekker of een los stopcontact. Dit kan anders leiden tot brand of elektrische schokken.
28. Als het product een afstandsbediening met knoop-/celbatterijen bevat of daarmee wordt geleverd:

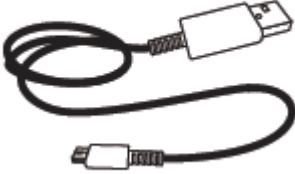


Waarschuwing:

 - "Batterij niet inslikken, gevaar op chemische brandwonden" of soortgelijke werking.
 - [De afstandsbediening meegeleverd met] Dit product bevat een knoop-/celbatterij. Als de batterij wordt ingeslikt, kan deze in slechts 2 uur ernstige en zelfs fatale interne brandwonden veroorzaken.
 - Houd zowel nieuwe als verbruikte batterijen uit de buurt van kinderen.
 - Als het batterijvak niet goed sluit, gebruik het product dan niet langer en houd het uit de buurt van kinderen.
 - Als u denkt dat batterijen zijn ingeslikt of in een lichaamsdeel zijn geplaatst, dient u onmiddellijk medische hulp in te roepen.
29. Waarschuwing m.b.t. het gebruik van batterijen:
 - Risico op ontploffing als de batterij incorrect is geïnstalleerd. Vervang alleen door hetzelfde of een gelijkwaardig type.
 - Stel de batterij niet bloot aan extreem hoge of lage temperaturen of een lage luchtdruk op grote hoogte tijdens gebruik, opslag of transport.
 - Vervanging van een batterij door een incorrect type kan leiden tot een ontploffing of de lekkage van ontvlambare vloeistoffen of gas.
 - Verwijdering van een batterij in vuur of een hete oven of het mechanisch verpletteren of snijden van een batterij kan leiden tot een ontploffing.
 - Laat een batterij nooit achter in omgevingen met extreem hoge temperaturen, anders kan dit leiden tot een ontploffing of de lekkage van ontvlambare vloeistoffen of gas.
 - Stel een batterij nooit bloot aan een extreem lage luchtdruk, anders kan dit leiden tot een ontploffing of de lekkage van ontvlambare vloeistoffen of gas.
 - Houd rekening met de impact op het milieu bij het afdanken van batterijen.

INSTALLATIE

- Pak alle onderdelen uit en verwijder het beschermende materiaal.
- Sluit het apparaat niet aan op het lichtnet voordat de correcte netspanning is geverifieerd en alle andere aansluitingen tot stand zijn gebracht.

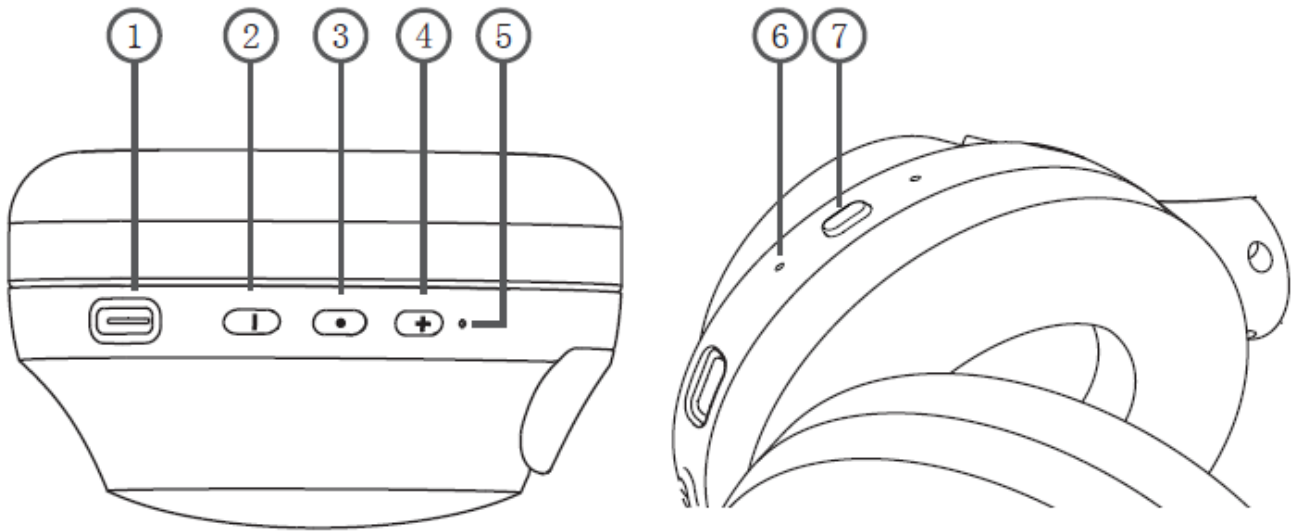
Inhoud verpakking

Hoofdtelefoon	1 stuk
Type-C laadkabel 	1 stuk
Gebruikshandleiding 	1 stuk
Draagetui 	1 stuk

Toetsen en onderdelen

De hoofdtelefoon komt met de volgende onderdelen:

- Hoofdtelefoon*1
- Laadkabel*1
- Handleiding*1
- Draagetui*1



1. USB C oplaadpoort
2. Volume verlagen -/vorige track
3. MFK (in-/uitschakelen; oproep beantwoorden/beëindigen; start/pauze)
4. Volume verhogen +/volgende track
5. Led-indicatielampje
6. ANC-led-indicatielampje
7. ANC-toets

U kunt met de HPB-830-hoofdtelefoon van Lenco naar uw favoriete muziek luisteren en hands-free oproepen ontvangen/plaatsen op uw mobiele telefoon of via een compatibel Bluetooth-apparaat.

Bluetooth®

Draadloze Bluetooth®-technologie laat u muziek streamen naar uw hoofdtelefoon vanuit smartphones, tablets, computers of andere audiobronnen met Bluetooth-functie.

Voordat u muziek kunt streamen vanuit een Bluetooth-apparaat, moet u dat apparaat koppelen met uw hoofdtelefoon.

Volg de instructies hieronder om de HPB-830-hoofdtelefoon te koppelen.

Actieve ruisonderdrukking (ANC)

Reduceert ongewenste omgevingsgeluiden en biedt duidelijkere, meer levensechte audioprestaties. U kunt op de HPB-830 actieve ruisonderdrukking (ANC) gebruiken terwijl u naar audio luistert, of u kunt de ruisonderdrukking zonder muziek gebruiken.

Gebruiksaanwijzingen en informatie over de led-indicator.

Om dit te doen	Doe dit
Inschakelen	De MFK 2~3 seconden ingedrukt houden; bevestigingstoon: Inschakelen; led: Blauw licht.
Uitschakelen	De MFK 5~6 seconden ingedrukt houden; bevestigingstoon: Uitschakelen; led: Rood licht schakelt uit.
Koppelen	De MFK 5~6 seconden ingedrukt houden; bevestigingstoon: Koppelen; led: Blauw led & rode led knipperen afwisselend. (OPMERKING: wanneer de ANC-functie actief is, zal de kleur groen/blauw zijn) Zodra de hoofdtelefoon eenmaal verbonden is met een apparaat, klinkt er een bevestigingstoon: Connected (Verbonden).
Pas het volume aan	Druk kort op de toets +/- . De hoofdtelefoon laat een bevestigingstoon horen wanneer het maximale volume is bereikt: Max. volume.
Starten/pauzeren	Druk eenmaal op des MFK om te pauzeren. Druk nogmaals in om te hervatten.
Next track	Druk lang op de toets +
Vorige track	Druk kort op de toets –
Een oproep beantwoorden	Druk kort op de MFK
Een gesprek beëindigen	Druk kort op de MFK
Een oproep weigeren	Houd de MFK 2 seconden ingedrukt, bevestigingstoon: Dong.
Inkomende oproep	Blauwe led
Opladen	De led brandt constant rood tijdens het opladen
Opladen voltooid	De led schakelt uit

Koppelen

1. Zorg ervoor dat uw telefoon of ander Bluetooth-apparaat is ingeschakeld.
2. Om de hoofdtelefoon te koppelen die niet eerder met een apparaat was gekoppeld, schakelt u de hoofdtelefoon in. De hoofdtelefoon opent vervolgens de koppelingsmodus en het blauwe & rode indicatielampje beginnen snel afwisselend te knipperen. Om de hoofdtelefoon te koppelen die eerder met een ander apparaat was gekoppeld, dient u ervoor te zorgen om het andere apparaat eerst uit te schakelen.
3. Activeer de Bluetooth-functie op uw telefoon of ander Bluetooth-apparaat en laat deze zoeken naar Bluetooth-apparatuur.
4. Selecteer “Lenco HPB-830” in de lijst met gevonden apparatuur op uw telefoon of ander Bluetooth-apparaat.
5. Wanneer Bluetooth succesvol is gekoppeld, klinkt er een bevestigingstoon terwijl het blauwe lampje constant begint te branden.

Opmerking: U kunt het blauwe Bluetooth-lampje tijdens het luisteren naar de muziek uitschakelen door tegelijkertijd op de toetsen **Volgende (4)** en **Vorige (2)** te drukken totdat de blauwe led 3 keer knippert.

(Herhaal deze procedure om het blauwe lampje weer in te schakelen.)

De hoofdtelefoon die eerder was gekoppeld met een apparaat zal automatisch verbinding maken met dat apparaat als het apparaat wordt ingeschakeld en zich binnen het verbindingbereik bevindt. Zo niet, zal de hoofdtelefoon op stand-by schakelen en blijft het blauwe lampje knipperen. Wanneer in de Bluetooth-zoekmodus of tijdens het opnieuw tot stand brengen van de verbinding, schakelt de hoofdtelefoon de Bluetooth-functie na 5 minuten automatisch uit.

Opladen

De hoofdtelefoon komt met een type-C USB-kabel die kan worden aangesloten op uw computer of een ander apparaat gemaakt voor het opladen via USB. Stop het type-C USB uiteinde van de inbegrepen USB-kabel in het USB C stopcontact onder het rechter oorkussen van de hoofdtelefoon en stop het ander uiteinde in een USB-poort op uw computer of andere toestellen voor het laden van de USB. Het indicatielampje zal tijdens het opladen rood branden. Het indicatielampje schakelt uit wanneer volledig opgeladen. Het duurt twee uur om een uitgeputte batterij op te laden.

De hoofdtelefoon heeft een ingebouwde lithiumbatterij. Laad de batterij vóór het eerste gebruik gedurende 4 uur op. (Suggestie: Gebruik voor de eerste keer geen autolader).

Actieve ruisonderdrukking aan:

Druk kort op de ANC-knop. U hoort "ANC on (ANC aan)". De groene led zal inschakelen.

OPMERKING: De ANC-functie kan ook zonder muziek worden gebruikt. De ANC-functie werkt niet bij het beantwoorden van een oproep

Actieve ruisonderdrukking uit:

Druk kort op de ANC-knop. U hoort "ANC off (ANC uit)". De groene led zal uitschakelen.

Lage latentie aan:

Druk tweemaal op de ANC-knop. U hoort "Low Latency on (Lage latentie aan)".

Deze modus zorgt voor een onmerkbaar vertraging voor perfecte lipsynchronisatie en responsief gamen

Lage latentie uit:

Druk tweemaal op de ANC-knop. U hoort "Low Latency off (Lage latentie uit)".

Telefoonoproepen

Als u een oproep wilt beantwoorden of beëindigen, drukt u snel op de MFK om de oproep te beantwoorden of houdt u de MFK ongeveer 1,5 seconde ingedrukt om een inkomende oproep te weigeren.

Naar muziek luisteren

Verbind de hoofdtelefoon met een telefoon of ander compatibel Bluetooth-apparaat dat het Bluetooth-profiel A2DP ondersteunt. Welke muziekfuncties beschikbaar zijn, hangt af van uw Bluetooth-apparatuur. Als u tijdens het luisteren naar muziek een oproep plaatst of ontvangt, wordt de muziek gepauzeerd tot het gesprek wordt beëindigd.

De verbinding met de hoofdtelefoon verbreken

Om de verbinding tussen de hoofdtelefoon en uw apparaat te verbreken, schakelt u de hoofdtelefoon uit of deactiveert u de Bluetooth-functie op uw Bluetooth-apparaat.

De hoofdtelefoon opnieuw verbinden

Om de HPB-830 opnieuw te verbinden, schakelt u deze in en houdt u de aan-/uittoets 3 seconden ingedrukt. De HPB-830 zal inschakelen en automatisch verbinding maken met het laatst verbonden apparaat. Na een geslaagde verbinding klinkt de melding "connected" (verbonden)

Resetten naar de fabrieksinstellingen.

1. Ga naar het Bluetooth-instellingsmenu op uw telefoon. Selecteer het apparaat "HPB-830" in de lijst en kies ervoor dit apparaat te vergeten.
2. Als uw HPB-830 was ingeschakeld, begint de led blauw/rood te knipperen. Schakel de HPB-830 in wanneer deze was uitgeschakeld. Het lampje begint blauw/rood te knipperen (koppelingsmodus)
3. Houd de toetsen +/-buttons gelijktijd 10 seconden ingedrukt totdat u het lampje 3 keer rood ziet knipperen. De HPB-830 zal hierna uitschakelen.
4. De fabrieksreset is nu voltooid.

Verbinding maken met de Smart Life-app of TUYA-app

1. Download de app door de QR-code te scannen met uw mobiele telefoon of zoek naar "Smart Life" in de mobiele app-winkel en download de app
2. Start de "Smart Life"-app of TUYA-app en registreer met een nieuw account of gebruik uw bestaande account.
3. Ga verder naar de volgende stap "Add device" (Apparaat toevoegen) en stel het wachtwoord in.
4. Schakel de Bluetooth-functie in; apparaten in de buurt worden gevonden op basis van hoe sterk het signaal is.
5. Druk op de blauwe knop "Add (Toevoegen)" wanneer de HPB-830-afbeelding wordt weergegeven.
6. Wacht op het bericht "Connection" (Verbinding)
7. Apparaat toevoegen geslaagd: "completed" (voltooid) wordt weergegeven
8. Uw apparaat is succesvol verbonden.

Opmerking: Als de HPB-830 eerder was verbonden met een ander apparaat, moet u een fabrieksreset uitvoeren omdat deze met slechts 1 tuya-/smartlife-account kan worden gekoppeld.

Volg hiervoor de instructies 'Resetten naar de fabrieksinstellingen' in deze handleiding.

APP



SLIMME BEDIENINGEN op de gebruikersinterface

- Raak hoofdtelefoonafbeeldingen aan om gebruik te maken van volume- en trackbediening, plus

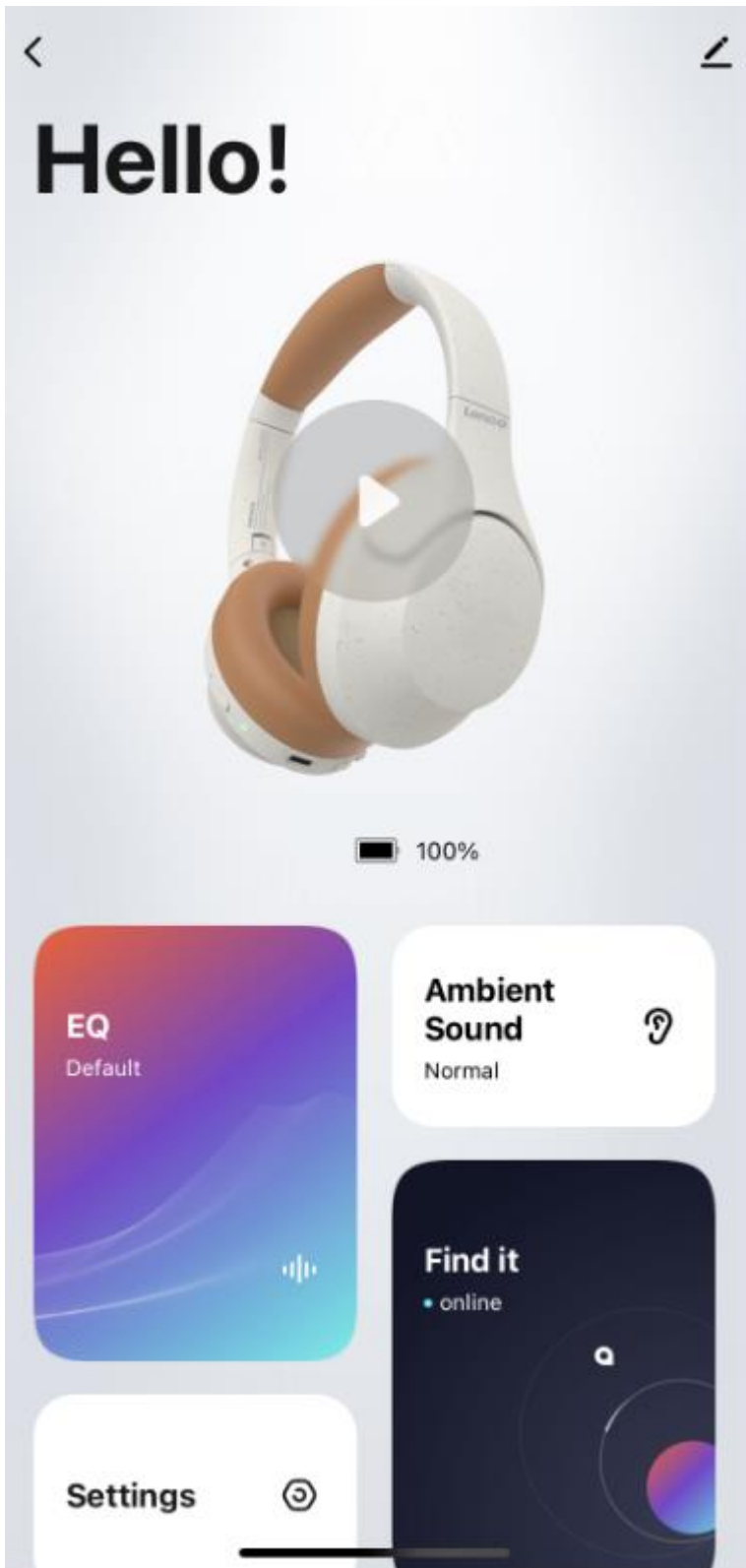
afspelen/pauzeren met intuïtieve aanraakbedieningsfuncties.

- Klik op “EQ Equalizer”

Kies uit verschillende voorinstellingen en een intuïtieve equalizerfunctie om uw muziek op uw manier te ervaren.

- Klik op “Ambient sound” (Omgevingsgeluid) om ANC AAN/UIT te schakelen
- Klik op “Setting” (Instelling) om de Bluetooth-naam te veranderen
- Klik op “Find it” (Vind het) om uw hoofdtelefoon te vinden als u deze bent verloren

Opmerking: als ANC (actieve geluidsonderdrukking) actief is, wordt de equalizer-functie uitgeschakeld.



Bluetooth

De hoofdtelefoon voldoet aan de Bluetooth-specificatie 5.3 en ondersteunt de volgende profielen: Headset Profile (HSP), Hands-free Profile (HFP) Advanced Audio Distribution Profile (A2DP) en Audio Video Remote Control Profile (AVRCP).

De gebruiksafstand moet binnen 15 meter (49 voet) van elkaar worden gehouden, zonder obstakels ertussen, om problemen met de geluidskwaliteit te voorkomen.

Specificaties

Driver	40mm neodymium
Impedantie	32Ω
Driverfrequentie	20-20K Hz
Hoofdtelefoongevoeligheid	98dB±3dB bij 1KHz
Bereik ruisonderdrukking	JA (ANC)
Microfoongevoeligheid	-42dB±3dB bij 1KHz
Bluetooth-versie	V5.3
Radiofrequentiebereik	2,402~2,480 GHZ
Zendbereik	≤15m (zonder obstakels)
Statusindicatie	Rode en blauwe led-indicator
Te koppelen producten	Bluetooth-computer met Bluetooth-profiel HSP, HFP, A2DP, AVRCP, USB Bluetooth-adapter, mobiele Bluetooth-telefoons, enz.,
Batterij	Opladbare lithium-ionbatterij, 3,7V, 400mAh
Opladen	Computer USB-interface/ DC 5V/500mA lader
Opladtijd	2,5 uur
Gebruiksduur	Tot 60 uur (zonder ANC)
Stand-bytijd	250 uur
Gewicht	240g

GARANTIE

Lenco verleent service en garantie in overeenstemming met de Europese wetgeving, wat betekent dat u bij reparaties (zowel tijdens als na de garantieperiode) contact dient op te nemen met uw lokale dealer.

Belangrijke opmerking: Het is niet mogelijk om te repareren producten direct naar Lenco te sturen.

Belangrijke opmerking: Als dit apparaat op enigerlei wijze wordt geopend door de gebruiker of een niet-officieel servicecentrum, komt de garantie te vervallen.

Dit apparaat is niet geschikt voor professioneel gebruik. In het geval professioneel gebruik, komen alle garantieverplichtingen van de fabrikant te vervallen.

DISCLAIMER

Er worden regelmatig updates voor de firmware en/of hardwarecomponenten uitgegeven. Daarom kunnen sommige instructies, specificaties en afbeeldingen in deze documentatie enigszins afwijken van uw specifieke situatie. Alle items beschreven in deze handleiding, zijn alleen bestemd ter illustratie en zijn mogelijk niet van toepassing op een bepaalde situatie. Aan de beschrijving in deze handleiding kunnen geen wettelijke rechten of aanspraken worden ontleend.

AFVOER VAN HET OUDE APPARAAT



Dit symbool geeft aan dat het betreffende elektrische product of de batterij in Europa niet als algemeen huishoudelijk afval mag worden afgevoerd. Om ervoor te zorgen dat het product en de batterij op de juiste manier worden verwerkt, dient u deze af te danken in overeenstemming met de toepasselijke lokale wetgeving met betrekking tot de verwijdering van elektrische apparatuur of batterijen. U helpt hierdoor natuurlijke hulpbronnen te behouden en de normen voor milieubescherming bij de behandeling en verwijdering van elektrisch afval te verbeteren (richtlijn afgedankte elektrische en elektronische apparatuur).

CONFORMITEITSVERKLARING

Hierbij verklaart Commaxx dat de radio-uitrusting type [Lenco SCD-830] in overeenstemming is met richtlijn 2014/53/EU. De volledige tekst van de EU-conformiteitsverklaring is beschikbaar op het volgende internetadres:

https://commaxx-certificates.com/doc/hpb-830_doc.pdf

Type RF	Frequentiebereik: (MHz)	Vermogen (dBm)
Bluetooth	2402-2480	<6

SERVICE

Bezoek voor meer informatie en helpdeskondersteuning www.lenco.com

Commaxx B.V. Wiebachstraat 37, 6466 NG Kerkrade, The Netherlands.

VORSICHT:

Eine andere als die hier beschriebene Benutzung der Bedienelemente oder Einstellung oder Durchführung von Abläufen kann zu einer Aussetzung gefährlicher Strahlung führen.

VORSICHTSMASSNAHMEN VOR DER BENUTZUNG**BEFOLGEN SIE IMMER FOLGENDE ANWEISUNGEN:**

1. Blockieren oder bedecken Sie keine Lüftungsöffnungen. Lassen Sie um das gesamte Gerät herum 5 cm Freiraum, wenn Sie es in ein Regal stellen.
2. Stellen Sie das Gerät entsprechend den Anweisungen der mitgelieferten Bedienungsanleitung auf.
3. Halten Sie das Gerät von Hitzequellen wie Radiatoren, Heizern, Öfen, Kerzen oder anderen hitzeerzeugenden Produkten oder offenen Flammen fern.
Das Gerät darf nur bei gemäßigtem Klima verwendet werden. Sehr kalte oder heiße Umgebungen sind zu vermeiden. Die Betriebstemperatur liegt zwischen 0 °C und 35 °C.
4. Meiden Sie bei der Benutzung des Produkts die Nähe starker Magnetfelder.
5. Elektrostatische Entladungen können die normale Benutzung dieses Gerätes stören. Sollte dies geschehen, setzen Sie das Gerät zurück und starten Sie es dann entsprechend den Anweisungen dieser Bedienungsanleitung neu. Gehen Sie besonders bei Datenübertragungen mit dem Gerät vorsichtig um und führen Sie diese nur in einer anti-elektrostatischen Umgebung aus.
6. **Warnung!** Niemals Gegenstände durch die Lüftungsschlitze oder Öffnungen in das Gerät stecken. Dieses Gerät steht unter Hochspannung. Das Hineinstecken von Gegenständen kann zu Stromschlag und/oder Kurzschluss interner elektrischer Bauteile führen. Spritzen/gießen Sie aus dem gleichen Grund weder Wasser noch andere Flüssigkeiten auf das Gerät.
7. Benutzen Sie das Gerät nicht in nasser oder feuchter Umgebung wie Bad, Dampfküche oder in der Nähe von Schwimmbecken.
8. Das Gerät darf weder Tropf- noch Spritzwasser ausgesetzt werden und es dürfen keine mit Flüssigkeit gefüllten Behälter wie z. B. Vasen auf das Gerät oder in der Nähe des Gerätes gestellt werden.
9. Benutzen Sie das Gerät nicht, wenn Kondensation entstehen kann. Wenn Sie das Gerät in einem warmen, feuchten Raum mit Dampf benutzen, können Wassertropfen oder Kondensation in das Gerät eindringen und u. U. zu Fehlfunktionen des Gerätes führen. Schalten Sie in diesem Fall das Gerät für 1 bis 2 Stunden aus, bevor Sie es erneut einschalten, wobei Sie darauf achten sollten, dass das Gerät vollständig getrocknet ist, bevor Sie es wieder einschalten.
10. Obwohl dieses Gerät unter größter Sorgfalt hergestellt und vor Auslieferung mehrmals überprüft wurde, können trotzdem wie bei jedem anderen elektrischen Gerät auch Probleme auftauchen. Trennen Sie das Gerät bei Rauchentwicklung, starker Hitzeentwicklung oder jeder anderen unnatürlichen Erscheinung sofort vom Stromnetz.
11. Dieses Gerät ist durch eine Stromquelle wie auf dem Typenschild angegeben zu betreiben. Halten Sie bei Unsicherheiten über die Art Ihrer Stromversorgung in Ihrer Wohnung Rücksprache mit Ihrem Händler oder Ihrem Stromversorger.
12. Halten Sie das Gerät von Haustieren fern. Einige Nagetiere nagen gerne an Netzkabeln.
13. Benutzen Sie für die Reinigung ein weiches, trockenes Tuch. Benutzen Sie niemals Lösungsmittel oder Flüssigkeiten auf Ölbasis.
Benutzen Sie zum Entfernen hartnäckiger Flecken ein feuchtes Tuch mit mildem Reinigungsmittel.
14. Der Hersteller haftet nicht für Beschädigungen oder Datenverluste aufgrund von Fehlfunktion, Zweckentfremdung oder Modifikation des Gerätes oder aufgrund des Wechselns der Batterie.
15. Unterbrechen Sie die Verbindung nicht während einer Formatierung oder einer Datenübertragung. Bei Unterbrechung drohen Datenverlust und Datenbeschädigung.
16. Wenn das Gerät eine USB-Wiedergabefunktion besitzt, stecken Sie den USB-Stick direkt in das Gerät. Verwenden Sie kein USB-Verlängerungskabel, weil die erhöhte Störungsanfälligkeit zu Datenverlust führen kann.
17. Das Typenschild befindet sich an der Unter- oder Rückseite des Gerätes.
18. Dieses Gerät ist nicht zur Benutzung durch Personen (einschließlich Kinder) mit physischen, sensorischen oder mentalen Beeinträchtigungen oder ohne ausreichende Erfahrung vorgesehen, es sei denn, sie werden durch eine für ihre Sicherheit verantwortliche Person beaufsichtigt oder wurden in die ordnungsgemäße Bedienung des Gerätes durch eine für ihre Sicherheit verantwortliche Person eingewiesen.
19. Dieses Produkt ist nur für den nicht-professionellen Gebrauch und nicht für gewerbliche oder industrielle Zwecke bestimmt.
20. Stellen Sie sicher, dass das Gerät in einer stabilen Position aufgestellt ist. Schäden, die durch Verwendung dieses Produkts in einer instabilen Position, durch Vibrationen, Stöße oder Nichtbeachtung der anderen in diesem Handbuch enthaltenen Warnungen und Sicherheitsmaßnahmen entstehen, werden nicht durch die Garantie abgedeckt.

21. Entfernen Sie niemals das Gehäuse dieses Gerätes.
22. Stellen Sie dieses Gerät niemals auf andere elektrische Geräte.
23. Halten Sie Kinder von den Plastiktüten fern.
24. Benutzen Sie nur vom Hersteller spezifizierte Erweiterungen/Zubehörteile.
25. Lassen Sie alle Wartungs-/Reparaturarbeiten von qualifiziertem Servicepersonal ausführen. Reparatur/Wartung wird notwendig, wenn das Gerät in irgendeiner Weise wie beispielsweise am Netzkabel oder am Netzstecker beschädigt wurde oder wenn Flüssigkeit in das Gerät gelangt ist bzw. Gegenstände in das Gerät gefallen sind, das Gerät Regen oder Feuchtigkeit ausgesetzt war, es heruntergefallen ist oder nicht ordnungsgemäß funktioniert.
26. Langes Hören lauter Töne aus einem Musikgerät kann zu zeitweiligem oder permanentem Hörverlust führen.
27. Wenn zum Lieferumfang des Produkts ein Netzkabel oder ein Netzadapter gehört:
 - Wenn irgendwelche Probleme auftreten, trennen Sie das Gerät vom Stromnetz und setzen Sie sich anschließend mit einer qualifizierten Fachkraft in Verbindung.
 - Treten Sie nicht auf den Netzadapter und klemmen Sie ihn auch nicht ein. Seien Sie besonders im näheren Bereich des Netzsteckers und an der Stelle vorsichtig, an der das Netzkabel aus dem Gerät herausgeführt wird. Stellen Sie keine schweren Gegenstände auf den Netzadapter, da er dadurch beschädigt werden kann. Halten Sie das gesamte Gerät außerhalb der Reichweite von Kindern! Durch Spielen mit dem Netzkabel können sie sich ernsthafte Verletzungen zuziehen.
 - Trennen Sie das Gerät während eines Gewitters oder bei längerer Nichtbenutzung vom Stromnetz.
 - Die Netzsteckdose muss sich in der Nähe des Gerätes befinden und einfach zu erreichen sein.
 - Überlasten Sie Steckdosen und Verlängerungsleitungen nicht. Eine Überlastung kann zu Brandgefahr bzw. Stromschlag führen.
 - Geräte der Schutzklasse 1 müssen an eine Netzsteckdose mit Schutzleiter angeschlossen werden.
 - Geräte der Schutzklasse 2 benötigen keinen Schutzleiteranschluss.
 - Greifen Sie beim Abziehen von der Netzsteckdose am Netzstecker. Ziehen Sie ihn nicht durch Zerren am Kabel heraus. Das kann zu einem Kurzschluss führen.
 - Verwenden Sie weder ein beschädigtes Netzkabel noch einen beschädigten Netzstecker oder eine lockere Steckdose. Missachtung kann zu Brand oder Stromschlag führen.
28. Wenn das Produkt mit einer Fernbedienung mit Batterien/Knopfzellen geliefert wird oder das Produkt eine derartige Fernbedienung umfasst:

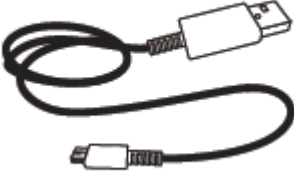


Warnung:

 - Die Batterie nicht verschlucken – Verätzungsgefahr.
 - Die mit diesem Produkt [gelieferte Fernbedienung] enthält eine Knopfzelle. Das Verschlucken der Batterie kann innerhalb von nur 2 Stunden zu schwersten inneren Verbrennungen mit Todesfolge führen.
 - Halten Sie neue und gebrauchte Batterien von Kindern fern.
 - Falls sich das Batteriefach nicht richtig schließen lässt, stellen Sie die Benutzung des Gerätes ein und halten Sie es von Kindern fern.
 - Wenn Sie vermuten, dass Batterien verschluckt oder in eine Körperöffnung eingeführt worden sind, suchen Sie umgehend eine(n) Ärztin/Arzt auf.
29. Warnhinweise bzgl. der Verwendung von Batterien:
 - Es besteht Explosionsgefahr, wenn die Batterie nicht ordnungsgemäß ersetzt wird. Tauschen Sie die Batterie nur gegen eine Batterie des gleichen Typs aus.
 - Die Batterie darf während der Benutzung, Aufbewahrung oder des Transports weder sehr hohen oder sehr niedrigen Temperaturen noch niedrigem Luftdruck in großen Höhenlagen ausgesetzt werden.
 - Die Auswechslung der Batterie mit einem falschen Batterietyp kann zum Explodieren der Batterie oder zum Entweichen von entflammbarem Gas oder Auslaufen von entflammbarer Flüssigkeit aus der Batterie führen.
 - Die Entsorgung der Batterie in Feuer oder einem heißen Ofen oder das mechanische Zerkleinern oder Zerteilen der Batterie kann zu Explosionen führen.
 - Das Verbleiben der Batterie in einer Umgebung mit sehr hohen Temperaturen kann zum Explodieren der Batterie oder zum Entweichen von entflammbarem Gas oder zum Auslaufen von entflammbarer Flüssigkeit aus der Batterie führen.
 - Eine einem sehr niedrigen Luftdruck ausgesetzte Batterie kann explodieren oder es kann aus einer einem sehr niedrigen Luftdruck ausgesetzten Batterie entflammbares Gas entweichen oder entflammbare Flüssigkeit auslaufen.
 - Legen Sie besonderes Augenmerk auf den ökologischen Aspekt der Batterieentsorgung.

INSTALLATION

- Packen Sie alle Teile aus und entfernen Sie danach die Schutzmaterialien.
- Schließen Sie das Gerät erst an das Stromnetz an, nachdem Sie die Netzspannung überprüft haben und alle anderen notwendigen Anschlüsse hergestellt sind.

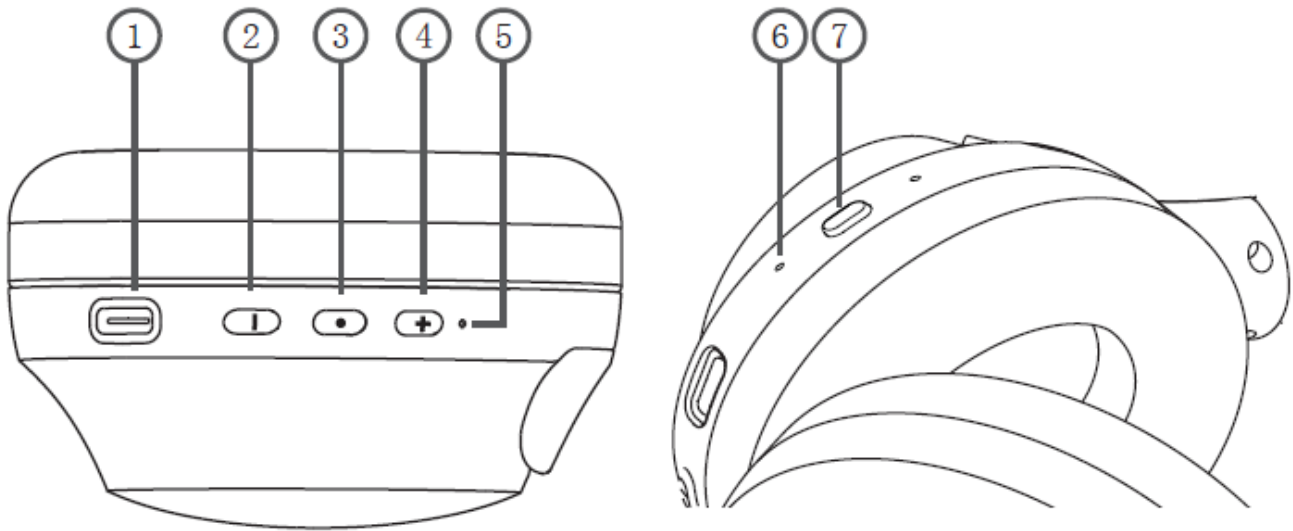
Inhalt des Pakets

Kopfhörer	1 Stück
Typ-C-Ladekabel 	1 Stück
Bedienungsanleitung 	1 Stück
Tragetasche 	1 Stück

Lieferumfang

Der Kopfhörer enthält die folgenden Teile:

- Kopfhörer*1
- Ladekabel*1
- Handbuch*1
- Tragetasche*1



1. Typ-C-Ladeanschluss
2. Lautstärke verringern -/Vorheriger Titel
3. MFB (Einschalten/Ausschalten: Telefonat annehmen/beenden; Wiedergabe/Pause)
4. Lautstärke erhöhen +/ Nächster Titel
5. LED-Anzeigeleuchte
6. ANC-LED-Anzeigeleuchte
7. ANC-Taste

Mit dem Lenco HPB-830 Kopfhörer können Sie Ihre Lieblingsmusik hören und über Ihr Mobiltelefon oder ein kompatibles Bluetooth-Gerät freihändig Anrufe entgegennehmen oder tätigen.

Bluetooth®

Mit der drahtlosen Bluetooth®-Technologie können Sie Musik von Bluetooth-Smartphones, Tablets, Computern oder anderen Audiogeräten auf Ihre Kopfhörer übertragen.

Bevor Sie Musik von einem Bluetooth-Gerät übertragen können, müssen Sie das Gerät mit Ihrem Kopfhörer koppeln.

Befolgen Sie die folgenden Anweisungen zum Koppeln des HPB-830 Kopfhörers.

Aktive Geräuscherdrückung (Active Noise Cancelling, ANC)

Reduziert unerwünschte Umgebungsgeräusche und sorgt so für eine klarere, naturgetreuere Audiowiedergabe. Auf dem HPB-830 können Sie die aktive Geräuscherdrückung (ANC) verwenden, während Sie Musik hören, oder Sie können die Geräuscherdrückung ohne Musik verwenden.

Betriebsanleitung und Informationen zu den LED-Anzeigen.

Um Folgendes auszuführen	Tun Sie dies
Am Stromnetz anschließen	Die Multifunktionstaste (Multi-Function Button, MFB) 2-3 Sekunden lang gedrückt halten; Signalton: Einschalten; LED: Blaues Licht.
Ausschalten	MFB 5-6 Sekunden lang gedrückt halten; Signalton: Ausschalten; LED: Das rote Licht wird ausgeschaltet.
Kopplung	MFB 5-6 Sekunden lang gedrückt halten; Signalton: Kopplung; LED: Blaue LED und rote LED blinken abwechselnd. (HINWEIS: Wenn ANC aktiviert ist, wird die Farbe grün/blau sein) Sobald der Kopfhörer mit einem Gerät verbunden ist, ertönt ein Signalton: Verbunden.
Lautstärke einstellen	Kurz die Taste +/- drücken. Wenn die maximale Lautstärke erreicht ist, zeigt der Kopfhörer dies mit einem Signalton an: Maximale Lautstärke.
Wiedergabe/Pause	MFB einmal drücken, um zu pausieren. Erneut drücken, um fortzufahren.
Nächster Titel	Taste + lang drücken
Vorheriger Titel	Taste - lang drücken
Einen Anruf entgegennehmen	Die MFB kurz drücken
Einen Anruf beenden	Die MFB kurz drücken
Einen Anruf ablehnen	Die MFB 2 Sekunden lang gedrückt halten, Signalton: Dong.
Eingehendes Gespräch;	Blaue LED
Aufladen	Rote LED leuchtet während des Ladevorgangs durchgehend
Aufladung abgeschlossen	Die LED-Leuchte schaltet sich aus

Kopplung

1. Stellen Sie sicher, dass Ihr Telefon oder Bluetooth-Gerät eingeschaltet ist.
2. Um den Kopfhörer zu koppeln, wenn er zuvor nicht mit einem Gerät gekoppelt wurde, schalten Sie den Kopfhörer ein. Dann wechselt der Kopfhörer in den Kopplungsmodus, und die blaue und rote Anzeige blinken abwechselnd schnell. Um den Kopfhörer zu koppeln, wenn er zuvor mit einem anderen Gerät gekoppelt wurde, stellen Sie bitte sicher, dass das andere Gerät ausgeschaltet ist.
3. Aktivieren Sie Bluetooth auf Ihrem Telefon oder Bluetooth-Gerät, und stellen Sie es auf die Suche nach Bluetooth-Geräten ein.
4. Wählen Sie „Lenco HPB-830“ aus der Liste der gefundenen Geräte auf Ihrem Telefon oder Bluetooth-Gerät.
5. Wenn die Bluetooth-Kopplung erfolgreich durchgeführt wurde, ertönt ein Signalton und das blaue Licht leuchtet kontinuierlich auf.

Hinweis: Sie können das blaue Bluetooth-Licht beim Musikhören ausschalten, indem Sie die Tasten **Weiter (4)** und **Zurück (2)** gleichzeitig drücken, bis die blaue LED dreimal blinkt.

(Wiederholen Sie diesen Vorgang, um das blaue Licht wieder zu aktivieren)

Wenn der Kopfhörer zuvor mit einem Gerät gekoppelt wurde, verbindet er sich automatisch mit dem Gerät, wenn dieses eingeschaltet ist und sich in Verbindungsreichweite befindet. Ist dies nicht der Fall, schaltet der Kopfhörer in den Standby-Modus und das blaue Licht leuchtet weiter. Im Bluetooth-Suchmodus oder im Modus zur Wiederherstellung der Verbindung schaltet der Kopfhörer die Bluetooth-Funktion nach 5 Minuten automatisch aus.

Aufladen

Der Kopfhörer enthält ein Typ-C-USB-Kabel, das an Ihren Computer oder ein anderes Gerät angeschlossen werden

kann, das für das Laden über USB ausgelegt ist. Bitte stecken Sie das Typ-C-USB-Ende des mitgelieferten USB-Kabels in den USB-C-Anschluss unter der rechten Ohrmuschel des Kopfhörers und stecken Sie das andere Ende in einen USB-Anschluss an Ihrem Computer oder anderen Geräten, die für das Aufladen über USB geeignet sind. Die Anzeige leuchtet während des Ladevorgangs rot. Sobald der Akku vollständig aufgeladen ist, erlischt die Kontrollleuchte. Die Ladezeit beträgt zwei Stunden bei leerem Akku.

Der Kopfhörer ist mit einer Lithium-Batterie ausgestattet. Bitte laden Sie das Gerät mindestens 4 Stunden vor dem ersten Gebrauch auf.

(Anregung: Verwenden Sie beim ersten Mal kein Autoladegerät).

Aktive Geräuschunterdrückung ein:

Drücken Sie kurz die ANC-Taste. Sie hören „ANC on (ANC ein)“. Die grüne LED leuchtet auf.

HINWEIS: Die ANC-Funktion kann auch ohne Musik verwendet werden. Wenn Sie den Anruf annehmen, funktioniert die ANC-Funktion nicht.

Aktive Geräuschunterdrückung aus:

Drücken Sie kurz die ANC-Taste. Sie hören „ANC off (ANC aus)“. Das grüne LED-Licht erlischt.

Niedrige Latenzzeit ein:

Drücken Sie zweimal kurz die ANC-Taste. Sie hören „Low Latency on (Geringe Latenz ein)“.

In diesem Modus sorgt eine nicht wahrnehmbare Verzögerung für perfekte Lippensynchronität und reaktionsschnelles Spielen.

Niedrige Latenzzeit aus:

Drücken Sie zweimal kurz die ANC-Taste. Sie hören „Low Latency off (Geringe Latenz aus)“.

Telefonanrufe

Um einen Anruf anzunehmen oder zu beenden, drücken Sie bei einem Anruf schnell auf die MFB, um ihn anzunehmen, oder halten Sie die MFB etwa 1,5 Sekunden lang gedrückt, um den Anruf abzulehnen.

Musik hören

Verbinden Sie den Kopfhörer mit einem Telefon oder kompatiblen Bluetooth-Geräten, die das Bluetooth-Profil A2DP unterstützen. Die verfügbaren Musikfunktionen hängen von Ihren Bluetooth-Geräten ab. Wenn Sie einen Anruf erhalten oder tätigen, während Sie Musik hören, wird die Musik angehalten, bis der Anruf beendet ist.

Kopfhörer trennen

Um den Kopfhörer von Ihrem Gerät zu trennen, schalten Sie den Kopfhörer aus oder deaktivieren Sie die Bluetooth-Funktion in Ihrem Bluetooth-Gerät.

Kopfhörer wieder verbinden

Um den HPB-830 wieder anzuschließen, drücken Sie die Einschalttaste 3 Sekunden lang. Der HPB-830 schaltet sich ein und verbindet sich automatisch mit dem zuvor angeschlossenen Gerät. Wenn die Verbindung erfolgreich hergestellt wurde, wird die Meldung „connected (Verbunden)“ ausgegeben.

Zurücksetzen auf Werkseinstellungen.

1. Rufen Sie das Menü Bluetooth-Einstellungen auf Ihrem Handy auf. Wählen Sie das als „HPB-830“ aufgelistete Gerät aus und wählen Sie aus, das Gerät zu vergessen.
2. Wenn Ihr HPB-830 eingeschaltet wurde, beginnt die LED-Lampe blau/rot zu blinken. Wenn er ausgeschaltet war, schalten Sie den HPB-830 ein. Die Leuchte beginnt blau/rot zu blinken (Kopplungsmodus)
3. Halten Sie die +/-Tasten gleichzeitig 10 Sekunden lang gedrückt, bis die Leuchte dreimal rot blinkt. Danach schaltet sich der HPB-830 aus.
4. Das Zurücksetzen auf die Werkseinstellungen ist nun abgeschlossen.

Verbinden mit der Smart Life APP oder der TUYA APP

1. Laden Sie die App herunter, indem Sie den QR-Code mit Ihrem Mobiltelefon scannen, oder suchen Sie im App-Store nach „Smart Life“ und laden Sie die App herunter.
2. Starten Sie die App „Smart Life“ oder die TUYA APP und melden Sie sich mit einem neuen Konto an oder nutzen Sie Ihr bestehendes Konto.
3. Fahren Sie mit dem nächsten Schritt „Add device (Gerät hinzufügen)“ fort, um das Passwort festzulegen.
4. Schalten Sie Bluetooth ein; Geräte in der Nähe werden anhand der Signalstärke gefunden.
5. Drücken Sie die blaue „Add (Hinzufügen)“-Taste, wenn das HPB-830-Bild angezeigt wird.
6. Warten Sie auf die Aufforderung „Connection (Verbindung)“.
7. Hinzufügen des Geräts erfolgreich: „completed (abgeschlossen)“ wird angezeigt.
8. Ihr Gerät ist erfolgreich verbunden.

Hinweis: Wenn der HPB-830 zuvor mit einem anderen Gerät verbunden war, muss es auf die Werkseinstellungen zurückgesetzt werden, da es sich nur mit einem Tuya/Smart Life-Konto verbinden kann.

Folgen Sie bitte den Anweisungen „Zurücksetzen auf Werkseinstellungen“ in dieser Anleitung.

APP



SMART CONTROLS auf der Benutzeroberfläche

- **Berühren Sie die Kopfhörerbilder, um die Lautstärke und die Titel zu steuern, sowie die Wiedergabe/Pause mit intuitiven Touch-Control-Funktionen.**
- **Klicken Sie auf „EQ Equalizer“.**

Mit einer Auswahl an Voreinstellungen und einer intuitiven Equalizer-Funktion können Sie das Klangerlebnis an Ihren Geschmack anpassen.

- **Klicken Sie auf „Umgebungsgeräusche“, um ANC ein- oder auszuschalten.**
- **Klicken Sie auf „Einstellung“, um den Bluetooth-Namen zu bearbeiten.**
- **Klicken Sie auf „Suchen“, um Ihren Kopfhörer vor Verlust zu schützen.**

HINWEIS: Wenn ANC aktiv ist, wird die Equalizer-Funktion deaktiviert.



Hello!




 100%

EQ
Default

Ambient Sound 

Normal

Find it
• online

Settings 

Bluetooth

Der Kopfhörer entspricht der Bluetooth-Spezifikation 5.3 und unterstützt die folgenden Profile: Headset-Profil (HSP), Freisprechprofil (HFP), Advanced Audio Distribution Profile (A2DP) und Audio Video Remote Control Profile (AVRCP).

Um Probleme mit der Klangqualität zu vermeiden, sollten die Geräte nicht weiter als 15 Meter voneinander entfernt sein, ohne dass eine Barriere zwischen ihnen besteht.

Technische Daten

Treibereinheit	40 mm Neodym
Impedanz	32 Ω
Treibereinheit Frequenz	20 Hz-20 kHz
Kopfhörer-Empfindlichkeit	98 dB \pm 3 dB bei 1 kHz
Bereich der Rauschunterdrückung	JA (ANC)
Mikrofon-Empfindlichkeit	-42 dB \pm 3dB bei 1 kHz
Bluetooth-Version	V 5.3
Funkfrequenzabdeckung	2,402 GHz-2,480 GHz
Sendebereich	\leq 15 m (barrierefrei)
Status-Anzeige	LED-Anzeige rot und blau
Kopplung von Produkten	Bluetooth-Computer mit HSP, HFP, A2DP, AVRCP Bluetooth-Protokoll, USB-Bluetooth-Adapter, Bluetooth-Handys usw,
Akku	Wiederaufladbarer Lithium-Ionen-Akku, 3,7 V, 400 mAh
Aufladen	Computer USB-Schnittstelle/ DC 5V/500mA Ladegerät
Ladedauer	2.5 Stunden
Akkulaufzeit	bis zu 60 Stunden (ohne ANC)
Standby-Zeit	250 Stunden
Gewicht	240 g

GARANTIE

Lenco bietet Leistungen und Garantien im Einklang mit Europäischem Recht. Setzen Sie sich deshalb im Falle von Reparaturen (sowohl während als auch nach Ablauf der Garantiezeit) mit Ihrem Fachhändler in Verbindung.

Wichtiger Hinweis: Es ist nicht möglich, Produkte für Reparaturen direkt an Lenco zu schicken.

Wichtiger Hinweis: Wenn dieses Gerät aus welchem Grund auch immer durch ein nicht offizielles Servicezentrum geöffnet oder durch dieses Servicezentrum darauf zugegriffen wurde, erlischt die Garantie.

Dieses Gerät ist nicht für professionelle Zwecke geeignet. Falls das Gerät für professionelle Zwecke eingesetzt wird, erlöschen alle Garantieverpflichtungen seitens des Herstellers.

HAFTUNGSAUSSCHLUSS

Aktualisierungen der Firmware und/oder Hardware-Komponenten werden regelmäßig durchgeführt. Aus diesem Grund können einige der Anweisungen, Spezifikationen und Abbildungen in dieser Dokumentation von dem Ihnen vorliegenden Gerät geringfügig abweichen. Alle in diesem Handbuch beschriebenen Elemente dienen nur zur

Illustration und treffen auf Ihre individuelle Situation möglicherweise nicht zu. Aus der in diesem Handbuch getätigten Beschreibung können keine Rechtsansprüche oder Leistungsanforderungen geltend gemacht werden.

ENTSORGUNG DES ALTGERÄTES



Dieses Symbol zeigt an, dass das entsprechende Produkt oder dessen Akku/Batterie in Europa nicht mit dem normalen Hausmüll entsorgt werden darf. Um die ordnungsgemäße Abfallbehandlung des Produkts und dessen Akku/Batterie zu gewährleisten, müssen diese im Einklang mit allen anwendbaren örtlichen Vorschriften zur Entsorgung von Elektrogeräten und Akkus/Batterien entsorgt werden. Dadurch helfen Sie, natürliche Ressourcen zu schonen und Umweltschutzstandards zur Verwertung und Entsorgung von Altgeräten aufrecht zu halten (Richtlinie über Entsorgung Elektrischer und Elektronischer Altgeräte).

KONFORMITÄTSERKLÄRUNG

Hiermit erklärt Commaxx, dass das Funkgerät vom Typ [Lenco SCD-830] der Richtlinie 2014/53/EU entspricht. Den vollständigen Text der EU-Konformitätserklärung finden Sie unter der folgenden Internetadresse:

https://commaxx-certificates.com/doc/hpb-830_doc.pdf

Typ HF	Frequenzbereich (MHz)	Leistung (dBm)
Bluetooth	2402-2480	<6

SERVICE

Weitere Informationen und Unterstützung durch den Helpdesk finden Sie unter www.lenco.com.
Commaxx B.V. Wiebachstraat 37, 6466 NG Kerkrade, The Netherlands.

ATTENTION :

L'utilisation de commandes ou de réglages ou l'exécution de procédures autres que celles spécifiées dans ce manuel peut entraîner une exposition à des rayonnements dangereux.

PRÉCAUTIONS AVANT UTILISATION**GARDEZ CES INSTRUCTIONS À L'ESPRIT :**




1. Ne couvrez pas et n'obtenez pas les ouvertures de ventilation. Lorsque vous placez l'appareil sur une étagère, laissez un espace libre de 5 cm autour de l'appareil.
2. L'installation doit être effectuée conformément au guide d'utilisation fourni.
3. Gardez l'appareil à l'écart des sources de chaleur telles que les radiateurs, les systèmes de chauffage, les cuisinières, les bougies et autres équipements générant de la chaleur ou une flamme nue. L'appareil ne doit être utilisé que dans un climat modéré. Les environnements extrêmement froids ou chauds doivent être évités. La température de fonctionnement doit se trouver entre 0 et 35 °C.
4. Évitez d'utiliser l'appareil à proximité de champs magnétiques puissants.
5. Des décharges électrostatiques peuvent perturber le fonctionnement normal de cet appareil. Dans ce cas, réinitialisez et redémarrez l'appareil en suivant le guide d'utilisation. Pendant le transfert de fichiers, manipulez l'appareil avec précaution dans un environnement privé d'électricité statique.
6. Avertissement ! N'introduisez jamais un objet dans l'appareil par les ouvertures et fentes de ventilation. Des tensions élevées sont présentes dans l'appareil, l'insertion d'un objet peut entraîner une électrocution ou court-circuiter certains composants. Pour les mêmes raisons, ne versez pas d'eau ou de liquide sur l'appareil.
7. N'utilisez pas l'appareil dans des endroits humides tels qu'une salle de bain, une cuisine pleine de vapeur ou à proximité d'une piscine.
8. L'appareil ne doit pas être exposé à des écoulements ou des éclaboussures et aucun objet contenant un liquide, tel qu'un vase, ne doit être posé sur ou près de l'appareil.
9. N'utilisez pas cet appareil lorsque de la condensation est possible. Lorsque l'appareil est utilisé dans une pièce chaude et humide, des gouttelettes d'eau ou de la condensation peuvent se former à l'intérieur de l'appareil et affecter son fonctionnement adéquat. Si tel est le cas, laissez l'appareil hors tension pendant 1 ou 2 heures avant de le mettre en marche : l'appareil doit être sec avant toute remise en marche.
10. Cet appareil est fabriqué avec le plus grand soin et vérifié plusieurs fois avant la sortie de l'usine, cependant il est toujours possible, comme pour tout appareil électrique, que des problèmes surviennent. Si vous remarquez de la fumée, une accumulation excessive de chaleur ou tout autre phénomène inattendu, débranchez immédiatement la fiche de la prise électrique secteur.
11. Cet appareil doit fonctionner avec la source d'alimentation indiquée sur la plaque signalétique. Si vous n'êtes pas sûr de votre type d'alimentation électrique, contactez le revendeur ou la compagnie d'électricité locale.
12. Gardez l'appareil à l'écart des animaux. Certains animaux aiment ronger les cordons d'alimentation.
13. Pour nettoyer l'appareil, utilisez un chiffon doux et sec. N'utilisez pas de solvant ni d'autre liquide à base de pétrole. Pour enlever les taches tenaces, utilisez un chiffon humide imbibé d'une solution de détergent diluée.
14. Le fournisseur n'est pas responsable des dommages ou pertes de données causés par un dysfonctionnement, une utilisation abusive, une modification de l'appareil ou un remplacement de la batterie.
15. Ne coupez aucune connexion lorsque l'appareil effectue un formatage ou transfert de fichiers. Autrement, les données risquent d'être corrompues ou perdues.
16. Si l'appareil dispose d'une fonction de lecture USB, il faut brancher la clé USB directement sur l'appareil. N'utilisez pas de câble de rallonge USB, car cela peut provoquer des interférences susceptibles de causer la perte de données.
17. La plaque signalétique se situe en dessous ou à l'arrière de l'appareil.
18. Cet appareil n'est pas destiné à être utilisé par des personnes (enfants y compris) souffrant de handicaps physiques, sensoriels ou mentaux, ou manquant d'expérience et de connaissances, sauf si elles sont sous surveillance ou ont reçu des instructions sur l'utilisation correcte de l'appareil par la personne responsable de leur sécurité.
19. Cet appareil est réservé à un usage non professionnel, et non pas à un usage commercial ou industriel.
20. Vérifiez que l'appareil est en position stable. La garantie ne couvre pas les dégâts occasionnés par l'utilisation de cet appareil en position instable, soumis à des vibrations ou chocs, ou par le non-respect de tout autre avertissement ou précaution contenus dans ce guide d'utilisation.
21. N'ouvrez jamais cet appareil.
22. Ne placez jamais cet appareil sur un autre appareil électrique.
23. Ne laissez pas les sacs en plastique à la portée des enfants.
24. N'utilisez que des pièces/accessoires recommandés par le fabricant.

25. Confiez tout entretien à un personnel de service qualifié. Une réparation est nécessaire lorsque l'appareil a été endommagé de quelque façon que ce soit, par exemple lorsque le cordon d'alimentation ou sa fiche est endommagée, lorsqu'un liquide a été renversé ou des objets ont été introduits dans l'appareil, lorsqu'il a été exposé à la pluie ou à l'humidité, ne fonctionne pas correctement ou s'il est tombé.
26. Une exposition prolongée à la musique avec un volume élevé peut entraîner une perte auditive temporaire ou permanente.
27. Si l'appareil est livré avec un câble d'alimentation ou un adaptateur secteur :
- En cas de problème, débranchez le cordon d'alimentation secteur et confiez l'entretien à un personnel qualifié.
 - Ne marchez pas sur l'adaptateur secteur et ne le pincez pas. Faites très attention, en particulier lorsque vous êtes à proximité des fiches et du point de sortie du câble. Ne placez aucun objet lourd sur l'adaptateur secteur, il pourrait l'endommager. Gardez l'appareil hors de portée des enfants ! Les enfants pourraient se blesser gravement s'ils jouent avec le cordon d'alimentation.
 - Débranchez cet appareil pendant les orages ou lorsqu'il n'est pas utilisé pendant une longue durée.
 - La prise secteur doit être installée près de l'appareil et être facilement accessible.
 - Ne surchargez pas les prises de courant ou les rallonges. Une surcharge peut entraîner un incendie ou une électrocution.
 - Un appareil de classe 1 doit être branché sur une prise secteur disposant d'une mise à la terre.
 - Les appareils de classe 2 ne nécessitent pas de mise à la terre.
 - Tirez toujours sur la fiche lorsque vous la retirez de la prise d'alimentation secteur. Ne tirez pas sur le cordon d'alimentation. Cela pourrait provoquer un court-circuit.
 - N'utilisez pas une fiche ou un cordon d'alimentation endommagés ni une prise desserrée. Cela pourrait entraîner une électrocution ou un incendie.
28. Si l'appareil comprend ou est livré avec une télécommande contenant des piles boutons/piles :
- Avertissement :
- « N'avalez pas les piles ! Risque de brûlure chimique » ou équivalent.
 - [La télécommande fournie avec] cet appareil contient une pile bouton/pile. Si la pile bouton est avalée, elle peut causer des brûlures internes graves en seulement 2 heures et peut conduire à la mort.
 - Gardez les piles neuves et usées hors de la portée des enfants.
 - Si le compartiment à pile ne se ferme pas correctement, cessez d'utiliser l'appareil et gardez-le hors de portée des enfants.
 - Si vous pensez que les piles ont été avalées ou ingérées d'une manière ou d'une autre, consultez immédiatement un médecin.
29. Avertissements sur l'utilisation des piles :
- Risque d'explosion si la pile n'est pas remplacée correctement. Ne les remplacez que par des piles du même type ou d'un type équivalent.
 - Les piles ne doivent pas être soumises à des températures extrêmement élevées ou basses, à une faible pression d'air à haute altitude pendant l'utilisation, le stockage ou le transport.
 - Tout remplacement de pile par un type incorrect peut entraîner une explosion ou une fuite de liquide ou de gaz inflammable.
 - L'élimination d'une pile dans le feu ou dans un four chaud, l'écrasement ou le découpage mécanique peut entraîner une explosion.
 - Laisser une pile dans un environnement à température extrêmement élevée peut entraîner une explosion ou une fuite de liquide ou de gaz inflammable.
 - Une pile soumise à une pression d'air extrêmement basse peut entraîner une explosion ou une fuite de liquide ou de gaz inflammable.
 - Une attention particulière doit être portée sur les aspects environnementaux d'élimination des piles.

INSTALLATION

- Déballez tous les composants et enlevez les matériaux de protection.
- Ne branchez pas l'appareil sans avoir vérifié la tension secteur et sans avoir effectué toutes les autres connexions.

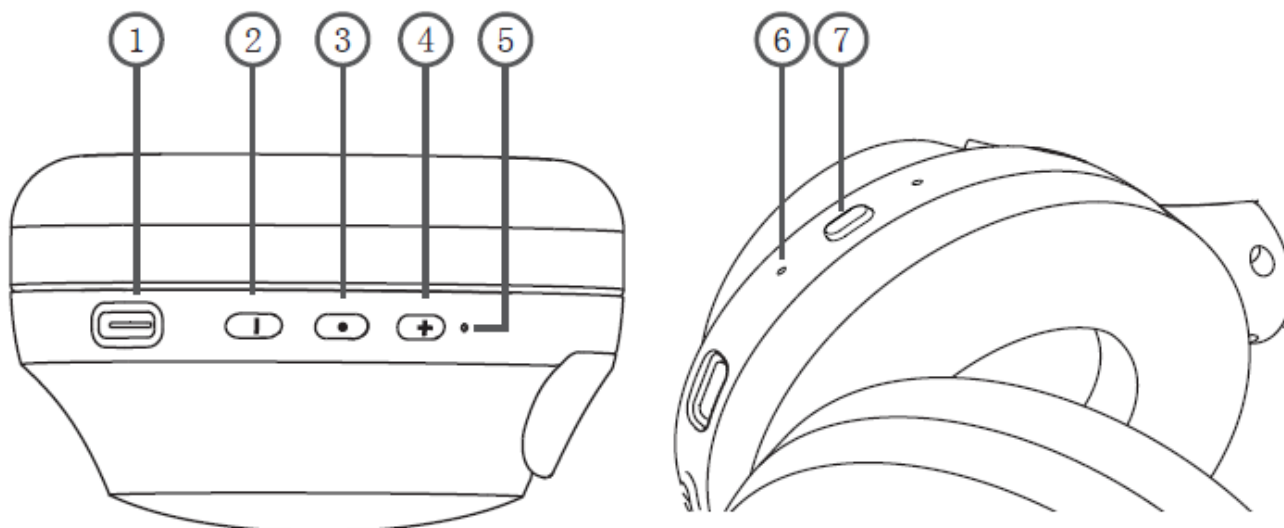
Contenu de l'emballage

Casque	1 pièce
Câble de recharge de type C 	1 pièce
Mode d'emploi 	1 pièce
Étui de transport 	1 pièce

Touches et accessoires

Le casque est livré avec les accessoires suivants :

- 1 casque
- 1 câble de recharge
- 1 manuel
- 1 étui de transport



1. Port de charge de type C
2. Diminution du volume -/Chanson précédente
3. Touche multifonction (marche/arrêt, répondre/terminer un appel téléphonique, lecture/pause)
4. Augmentation du volume+/Chanson suivante
5. Voyant lumineux
6. Voyant lumineux ANC
7. Touche ANC

Le casque Lenco HPB-830 vous permet d'écouter votre musique préférée et de recevoir/effectuer des appels mains libres sur votre téléphone mobile ou à partir d'un appareil Bluetooth compatible.

Bluetooth®

La technologie sans fil Bluetooth® vous permet de diffuser de la musique à partir de smartphones, de tablettes, d'ordinateurs ou d'autres dispositifs audio Bluetooth vers votre casque.

Avant de pouvoir diffuser de la musique à partir d'un dispositif Bluetooth, vous devez coupler le dispositif à votre casque.

Suivez les instructions ci-dessous pour coupler le casque HPB-830.

Réduction active du bruit (ANC)

Cette fonction réduit les bruits ambiants indésirables pour obtenir une qualité sonore plus nette et plus réaliste. Utilisez la fonction de réduction active du bruit (ANC) sur le casque HPB-830 alors que vous écoutez de la musique, ou utilisez uniquement la fonction de réduction du bruit sans musique.

Instructions d'utilisation et informations sur le voyant lumineux

Pour	Opérations à effectuer
Allumer	Appuyez longuement sur la touche multifonction pendant 2 à 3 s. Message de notification : Allumé. Voyant : allumé en bleu.
Éteindre	Appuyez longuement sur la touche multifonction pendant 5 à 6 s. Message de notification : Éteint. Voyant : allumé en rouge.
Couplage	Appuyez longuement sur la touche multifonction pendant 5 à 6 s. Message de notification : Couplage. Voyant : clignotant en bleu et en rouge. (REMARQUE : si la fonction ANC est active, le voyant est allumé en vert/bleu) Une fois le casque connecté au dispositif, un message de notification est émis : connecté.
Régler le volume	Appuyez brièvement sur la touche +/- . Si le volume maximal est atteint, le casque émet un message de notification : Volume max.
Lire/mettre en pause	Appuyez une fois sur la touche multifonction pour mettre en pause. Appuyez à nouveau sur la touche pour reprendre l'écoute.
Morceau suivant	Appuyez longuement sur la touche +.
Morceau précédent	Appuyez longuement sur la touche -.
Répondre à un appel	Appuyez brièvement sur la touche multifonction.
Terminer un appel	Appuyez brièvement sur la touche multifonction.
Refuser un appel	Appuyez longuement sur la touche multifonction pendant 2 s. Message de notification : Dong.
Appel entrant	Voyant allumé en bleu
Recharge	Voyant allumé solidement en rouge lors du couplage
Charge terminée	Le voyant s'éteindra.

Couplage

1. Assurez-vous que votre téléphone ou dispositif Bluetooth est allumé.
2. Pour coupler un casque qui n'a pas encore été couplé à un dispositif, veuillez allumer le casque. Le casque entre ensuite en mode couplage et le voyant lumineux se met à clignoter rapidement en bleu et en rouge. Pour coupler un casque qui a déjà été couplé avec un autre dispositif, assurez-vous que ce dernier est éteint.
3. Activez le Bluetooth sur votre téléphone ou dispositif Bluetooth, puis configurez-le pour qu'il recherche les équipements Bluetooth disponibles.
4. Sélectionnez l'équipement « Lenco HPB-830 » dans la liste des résultats de la recherche sur votre téléphone ou dispositif Bluetooth.
5. Une fois le couplage Bluetooth réussi, le casque émet un message de notification et le voyant lumineux reste allumé en bleu.

Remarque : il est possible de désactiver le voyant bleu Bluetooth au cours de l'écouter en appuyant simultanément sur les touches **Suivant (4)** et **Précédent (2)** tant que le voyant bleu ne clignote pas 3 fois.

(Répétez cette procédure pour réactiver le voyant bleu Bluetooth)

Le casque qui a été précédemment couplé avec un dispositif se reconnectera automatiquement à ce dernier s'il est allumé et se trouve à portée de connexion. Dans le cas contraire, le casque passe en mode veille et le voyant bleu reste allumé. En mode de recherche ou de reconnexion Bluetooth, le casque désactivera automatiquement le Bluetooth au bout de 5 minutes.

Recharge

Le casque est fourni avec un câble USB de type C que vous pouvez connecter à un ordinateur ou à un autre appareil qui permet la recharge par USB. Veuillez brancher l'extrémité USB de type C du câble USB fourni dans la prise USB C située sous l'embout droit du casque, puis branchez l'autre extrémité dans un port USB de votre ordinateur ou de tout autre appareil conçu pour la charge USB. Le voyant lumineux reste allumé en rouge pendant toute la recharge. Une fois la recharge terminée, le voyant lumineux s'éteint. Le temps de charge est de deux heures avec une batterie épuisée.

Le casque est équipé d'une batterie au lithium intégrée. Avant la première utilisation, veuillez charger le casque pendant au moins 4 heures.

(Conseil : n'utilisez pas un chargeur de voiture la première fois)

Activation de la réduction active du bruit :

Appuyez brièvement sur le bouton ANC. Vous entendrez « ANC on (ANC activé) ». Le voyant lumineux s'allume en vert.

REMARQUE : la fonction ANC peut être également utilisée sans musique. Si vous répondez à un appel, la fonction ANC ne fonctionne pas.

Désactivation de la réduction active du bruit :

Appuyez brièvement sur le bouton ANC. Vous entendrez « ANC off (ANC désactivé) ». Le voyant lumineux vert s'éteint.

Activation du faible retard :

Appuyez brièvement à deux reprises sur le bouton ANC. Vous entendrez « Low Latency on (Faible latence activée) ». Dans ce mode, un retard imperceptible est ajouté pour une synchronisation parfaite des lèvres et un jeu réactif.

Désactivation du faible retard :

Appuyez brièvement à deux reprises sur le bouton ANC. Vous entendrez « Low Latency on (Faible latence désactivée) ».

Appels téléphoniques

Pour répondre ou terminer un appel, appuyez brièvement sur la touche multifonction pour y répondre ou appuyez longuement sur la touche multifonction pendant environ 1,5 s pour refuser l'appel.

Écouter de la musique

Connectez le casque au téléphone ou à un dispositif Bluetooth compatible qui prend en charge le profil Bluetooth A2DP. Les fonctions musicales disponibles dépendent de vos dispositifs Bluetooth. Si vous recevez ou passez un appel alors que vous écoutez de la musique, la musique est mise en pause jusqu'à la fin de l'appel.

Déconnexion du casque

Pour déconnecter le casque de votre dispositif, éteignez le casque ou désactivez la fonction Bluetooth de votre dispositif Bluetooth.

Reconnexion du casque

Pour reconnecter le casque HPB-830, appuyez sur la touche d'alimentation pendant 3 s, le casque HPB-830 s'allume et se reconnecte automatiquement au dispositif précédemment connecté. Si la connexion réussit, un message de

notification « Connecté » est émis.

Rétablissement des réglages d'usine

1. Accédez au menu des paramètres Bluetooth de votre téléphone. Sélectionnez l'équipement « HPB-830 » dans la liste, puis choisissez d'oublier l'appareil.
2. Si le casque HPB-830 est allumé, le voyant lumineux se met à clignoter en bleu/rouge. Dans le cas contraire, allumez le casque HPB-830. Le voyant lumineux se met à clignoter en bleu/rouge (mode couplage).
3. Appuyez simultanément et maintenez les touches +/- enfoncées pendant 10 s jusqu'à ce que le voyant clignote 3 fois en rouge, puis le casque HPB-830 s'éteint.
4. Le rétablissement des réglages d'usine est enfin terminé.

Connexion à l'application Smart Life ou à l'application TUYA

1. Téléchargez l'application en scannant le code QR à l'aide de votre téléphone mobile, ou recherchez « Smart Life » dans le magasin d'applications mobiles, puis téléchargez l'application.
2. Lancez l'application « Smart Life » ou l'application « TUYA » pour créer un nouveau compte ou utiliser un compte existant.
3. Passez à l'étape suivante « Add device » (Ajouter un appareil) pour définir le mot de passe.
4. Activez le Bluetooth. Les dispositifs disponibles à proximité seront détectés en fonction de la puissance du signal.
5. Appuyez sur le bouton bleu "Add" (Ajouter) lorsque l'image HPB-830 s'affiche.
6. Attendez que le message « Connection » (Connexion) s'affiche.
7. L'ajout du dispositif est réussi si le message « Completed » (Terminé) s'affiche.
8. La connexion de votre dispositif est réussie.

Remarque : si le casque HPB-830 était précédemment connecté à un autre dispositif, il est obligatoire de procéder à la restauration des paramètres d'usine, étant donné qu'il n'est possible de connecter le casque qu'à un seul compte tuya/smartlife.

Suivez les instructions données dans la section « Rétablissement des réglages d'usine » de ce mode d'emploi.

APP





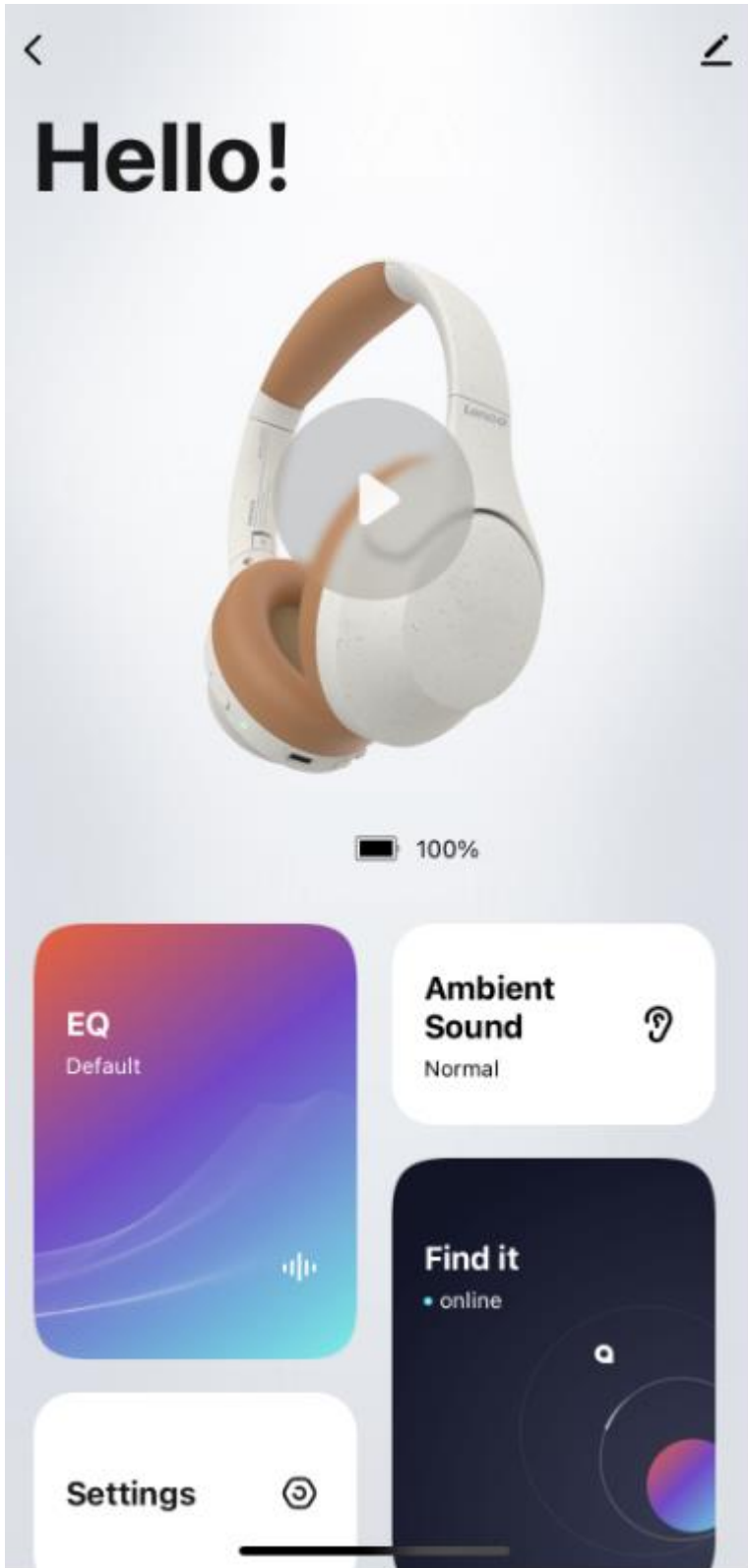
Commandes intelligentes de l'interface utilisateur

- **Touchez les images du casque pour profiter des commandes tactiles de volume et de changement de piste, ainsi que de lecture/pause de manière intuitive.**
- **Touchez « EQ Equalizer » (Égaliseur EQ).**

Ajustez le son à votre goût grâce à un choix de préréglages et à un égaliseur intuitif.

- **Touchez « Ambient sound » (Son ambiant) pour activer/désactiver la fonction ANC.**
- **Touchez « Setting » (Réglage) pour modifier le nom Bluetooth.**
- **Touchez « Find it » (Rechercher) pour ne pas perdre votre casque.**

REMARQUE : lorsque la fonction ANC est activée, la fonction d'égalisation est désactivée.



Bluetooth

Le casque est conforme aux spécifications Bluetooth 5.3 et prend en charge les profils suivants : profil casque (HSP), profil mains libres (HFP), profil de distribution audio avancée (A2DP) et profil télécommande audio-vidéo (AVRCP).

La distance d'utilisation doit être maintenue à moins de 15 m, sans obstacle entre l'appareil et le dispositif, afin d'éviter des problèmes de qualité sonore.

Spécifications

Moteur	40 mm en néodyme
Impédance	32 Ω
Fréquence de moteur	20 Hz à 20 kHz
Sensibilité du casque	98 dB \pm 3 dB à 1 kHz
Plage de réduction du bruit	OUI (ANC)
Sensibilité du microphone	-42 dB \pm 3 dB à 1 kHz
Version Bluetooth	V 5.3
Gamme de fréquences radio	2,402 à 2,480 GHZ
Distance de transmission	\leq 15 m (sans obstacle)
Indicateur d'état	Voyant lumineux rouge et bleu
Produits pris en charge par le couplage	Ordinateur Bluetooth avec les protocoles Bluetooth HSP, HFP, A2DP, AVRCP, adaptateur Bluetooth USB, téléphones mobiles Bluetooth, etc.
Batterie	Batterie rechargeable au lithium-ion, 3,7 V, 400 mA h
Recharge	Interface USB d'ordinateur/chargeur 5 V CC/500 mA
Temps de charge	2,5 heures
Autonomie de fonctionnement	Jusqu'à 60 heures (sans ANC)
Autonomie en veille	250 heures
Poids	240 g

GARANTIE

Lenco propose un service et une garantie conformément à la législation européenne, ce qui signifie qu'en cas de besoin de réparation (aussi bien pendant et après la période de garantie), vous pouvez contacter le revendeur le plus proche.

Remarque importante : Il n'est pas possible de renvoyer l'appareil pour réparation directement à Lenco.

Remarque importante : Si l'appareil est ouvert ou modifié de quelque manière que ce soit par un réparateur non agréé, la garantie est annulée.

Cet appareil ne convient pas à une utilisation professionnelle. En cas d'utilisation professionnelle, les obligations de garantie du fabricant sont annulées.

CLAUSE DE NON-RESPONSABILITÉ

Des mises à jour du micrologiciel ou des composants matériels sont régulièrement effectuées. Ainsi, certaines instructions, spécifications et images de la présente documentation peuvent être légèrement différentes. Tous les éléments décrits dans ce manuel sont donnés uniquement à des fins d'illustration et peuvent ne pas s'appliquer à

une situation particulière. Aucun droit juridique ou légal ne peut être obtenu à partir de la description faite dans ce manuel.

MISE AU REBUT DE L'APPAREIL USAGÉ



Ce symbole indique que le produit électrique concerné ainsi que les piles ne doivent pas être jetés avec les autres déchets ménagers en Europe. Pour assurer le traitement correct des déchets de l'appareil et des piles, il faut les éliminer conformément aux lois locales applicables sur l'élimination des équipements électriques et des piles. En faisant cela, vous contribuez à la conservation des ressources naturelles et à l'amélioration des normes de protection de l'environnement dans le traitement et l'élimination des déchets électriques (Directive sur les déchets d'équipements électriques et électroniques).

DÉCLARATION DE CONFORMITÉ

Par la présente, Commaxx déclare que le type d'équipement radio auquel appartient [Lenco SCD-830] est conforme à la directive 2014/53/UE. Le texte intégral de la déclaration de conformité UE est disponible à l'adresse Internet suivante : https://commaxx-certificates.com/doc/hpb-830_doc.pdf

Type RF	Plage de fréquences (MHz)	Puissance (dBm)
Bluetooth	2 402 à 2 480	< 6

SERVICE APRÈS-VENTE

Pour plus d'informations et en cas de besoin d'assistance, veuillez vous rendre sur www.lenco.com
Commaxx B.V. Wiebachstraat 37, 6466 NG Kerkrade, The Netherlands.

PRECAUCIÓN:

Un uso de los controles, unos ajustes o un rendimiento de los procedimientos distintos a los especificados aquí puede resultar en una exposición peligrosa a la radiación.

PRECAUCIONES PREVIAS AL USO**TENGA ESTAS INSTRUCCIONES EN CUENTA:**

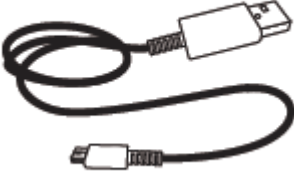
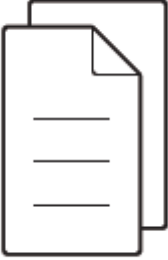
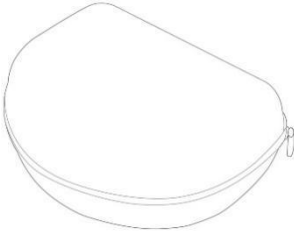
1. No cubra ni obstruya las aberturas de ventilación. Al colocar el dispositivo en un estante, deje libres 5 cm (2") de espacio alrededor de todo el dispositivo.
2. Instálelo en conformidad con el manual del usuario incluido.
3. Mantenga el dispositivo apartado de fuentes de calor como radiadores, calentadores, estufas, velas y otros productos que generen calor o llamas abiertas.
El dispositivo solo puede utilizarse en climas moderados. Deben evitarse los entornos muy fríos o cálidos. La temperatura de funcionamiento es de entre 0 °C y 35 °C.
4. Evite utilizar el dispositivo cerca de campos magnéticos intensos.
5. Las descargas electrostáticas pueden perturbar el uso normal de este dispositivo. En tal caso, solo tiene que seguir el manual de instrucciones para restablecer y reiniciar el dispositivo. Durante la transmisión de archivos, por favor manéjelo con cuidado y opérela en un entorno libre de electricidad estática.
6. ¡Advertencia! Nunca introduzca objetos en las aberturas o conductos de ventilación del producto. Alto voltaje fluye a través del producto e insertar un objeto puede provocar una descarga eléctrica o un cortocircuito en sus componentes internos. Por el mismo motivo, no derrame agua ni líquidos sobre el producto.
7. No lo utilice en áreas mojadas o húmedas, como cuartos de baño, cocinas con mucho vapor o cerca de piscinas.
8. No se debe exponer el dispositivo a goteos ni salpicaduras y debe asegurarse de que no haya objetos llenos de líquidos, como jarrones, encima ni cerca del aparato.
9. No utilice este dispositivo si puede haber condensación. Cuando se utilice la unidad en una sala cálida y húmeda, pueden aparecer gotas de agua o condensación dentro de la unidad y esta puede no funcionar correctamente; deje la unidad apagada durante 1 o 2 horas antes de encender la alimentación: la unidad debe estar seca antes de encenderla.
10. Aunque este dispositivo está fabricado con el máximo cuidado y se ha comprobado varias veces antes de salir de fábrica, todavía es posible que se puedan producir problemas, igual que con todos los aparatos eléctricos. Si detecta humo, una acumulación excesiva de calor o cualquier otro fenómeno inesperado, deberá desconectar inmediatamente el enchufe de la toma de corriente.
11. Este dispositivo debe estar conectado a una fuente de alimentación conforme a lo indicado en la etiqueta de especificaciones. Si no está seguro del tipo de fuente de alimentación de su hogar, consulte con su distribuidor o su empresa eléctrica local.
12. Manténgalo alejado de los animales. Algunos animales muerden los cables eléctricos.
13. Utilice un trapo suave y seco para limpiar el dispositivo. No utilice disolventes ni líquidos con base de gasolina. Puede usar un paño húmedo con detergente diluido para eliminar las manchas persistentes.
14. El proveedor no asume ninguna responsabilidad por daños o datos perdidos como consecuencia de un funcionamiento incorrecto, uso incorrecto, modificación del dispositivo o sustitución de la batería.
15. No interrumpa la conexión mientras se formatea el dispositivo o esté transfiriendo archivos. De lo contrario, los datos podrían quedar dañados o perderse.
16. Si la unidad tiene una función de reproducción USB, se debe conectar directamente el dispositivo de memoria USB a la unidad. No utilice cables de extensión USB ya que pueden crear interferencias que causen una pérdida de datos.
17. La etiqueta de clasificación está marcada en el panel inferior o trasero del dispositivo.
18. Este aparato no está diseñado para su uso por personas (incluyendo niños) con discapacidades físicas, sensoriales o mentales o con falta de experiencia o conocimientos, salvo que estén bajo supervisión o hayan recibido formación sobre el uso correcto del dispositivo por parte de una persona responsable de su seguridad.
19. Este producto está destinado únicamente al uso no profesional y no al uso comercial ni industrial.
20. Compruebe que la unidad está ajustada en una posición estable. Los daños causados por las vibraciones o sacudidas derivadas del uso del producto en una posición inestable o el incumplimiento de otras advertencias o precauciones incluidas en este manual del usuario no estarán cubiertos por la garantía.
21. Nunca retire la carcasa del dispositivo.
22. Nunca coloque el dispositivo sobre otros equipos eléctricos.
23. No permita que los niños accedan a las bolsas de plástico.
24. Utilice solo los accesorios especificados por el fabricante.

25. Solicite todo el trabajo de mantenimiento a personal de servicio cualificado. El dispositivo deberá ser reparado cuando quede dañado de cualquier forma, por ejemplo, si el cable de alimentación o el enchufe están dañados, se ha derramado líquido o han caído objetos sobre él, ha quedado expuesto a la lluvia o a la humedad, no funciona con normalidad, o se ha caído al suelo.
26. La exposición prolongada a sonidos fuertes de reproductores personales de música puede provocar una pérdida temporal o permanente de audición.
27. Si el producto incluye un cable de alimentación o un adaptador de CA:
- Si hubiera algún problema, desconecte el cable de CA y solicite su mantenimiento al personal cualificado.
 - No pise ni pellizque el adaptador de corriente. Tenga mucho cuidado, en especial cerca de los enchufes y el punto de salida del cable. No coloque objetos pesados sobre el adaptador de corriente, ya que podría dañarlo. ¡Mantenga todo el dispositivo fuera del alcance de los niños! Si juegan con el cable de alimentación, pueden sufrir lesiones graves.
 - Desenchufe el dispositivo durante tormentas eléctricas o si no se utiliza durante largos periodos.
 - La toma debe estar instalada cerca del equipo y ser fácilmente accesible.
 - No sobrecargue las tomas de CA ni los cables de extensión. Una sobrecarga podría provocar un incendio o una descarga eléctrica.
 - Los dispositivos con una construcción de clase 1 deben estar conectados a una toma eléctrica con conexión a tierra protectora.
 - Los dispositivos con una construcción de clase 2 no requieren una conexión a tierra.
 - Sujete siempre el enchufe cuando lo extraiga de la toma de corriente. No estire del cable eléctrico. Podría provocar un cortocircuito.
 - No utilice cables de alimentación o enchufes deteriorados o tomas sueltas. Podría provocar un incendio o descarga eléctrica.
28. Si el producto contiene o se entrega con un mando a distancia que contiene pilas de botón:
- Advertencia:
- «No ingiera la pila, existe riesgo de quemaduras químicas» o equivalente.
 - [Mando a distancia incluido] Este producto contiene una pila de botón. En caso de ingesta de la pila, puede provocar quemaduras internas graves en menos de 2 horas que pueden provocar la muerte.
 - Mantenga las pilas nuevas y usadas fuera del alcance de los niños.
 - Si el compartimento de las pilas no cierra bien, deje de usar el producto y manténgalo fuera del alcance de los niños.
 - Si cree que puede haber ingerido una pila, solicite inmediatamente atención médica.
29. Precauciones sobre el uso de las pilas:
- Existe peligro de explosión si se sustituye la pila por una de tipo incorrecto. Sustitúyalas únicamente por pilas del mismo tipo o equivalentes.
 - No se puede someter las pilas a temperaturas muy altas o bajas, ni a presiones de aire bajas a altitudes altas durante el uso, almacenamiento o transporte.
 - La sustitución de una pila por una de tipo incorrecto puede resultar en una explosión o fuga del líquido o gas inflamable.
 - Arrojar una pila al fuego o a un horno caliente, o aplastarla o cortarla con medios mecánicos, puede resultar en una explosión.
 - Dejar una pila en un entorno con temperaturas muy altas puede resultar en una explosión o fuga del líquido o gas inflamable.
 - Someter una pila a presiones de aire muy bajas puede resultar en una explosión o la fuga del líquido o gas inflamable.
 - Se debe prestar atención a los aspectos medioambientales sobre la eliminación de baterías.

INSTALACIÓN

- Desempaquete todas las piezas y retire el material protector.
- No conecte la unidad a la corriente sin comprobar la tensión eléctrica y que se han hecho todas las demás conexiones.

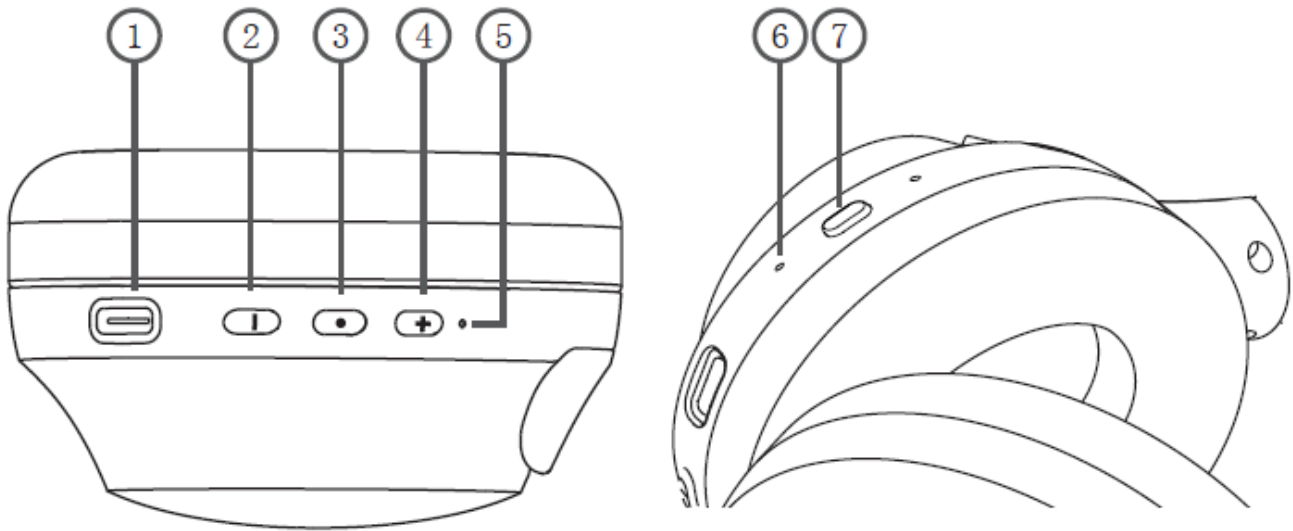
Contenido del paquete

Auriculares	1 unidad
<p data-bbox="316 253 561 282">Cable de carga tipo C</p> 	1 unidad
<p data-bbox="323 627 555 656">Manual del usuario</p> 	1 unidad
<p data-bbox="316 1084 563 1113">Funda de transporte</p> 	1 unidad

Leyenda de Botones y Partes

Los auriculares incluyen las siguientes partes:

- Auriculares*1
- Cable de carga*1
- Manual*1
- Funda de transporte*1



1. Puerto de Carga Tipo C
2. Bajar Volumen -/Canción Anterior
3. Botón Multifunción (Encender/Apagar: Contestar a una llamada/Colgar; Reproducir/Pausar)
4. Subir Volumen +/ Siguiete Canción
5. Luz Indicadora LED
6. Luz Indicadora LED de CAR
7. Botón CAR

Con los auriculares Lenco HPB-830 puede escuchar su música favorita y recibir o realizar llamadas en manos libres desde su teléfono u otro dispositivo Bluetooth compatible.

Bluetooth®

La tecnología inalámbrica Bluetooth® le permite reproducir música en sus auriculares desde su teléfono inteligente, tableta, ordenador u otro dispositivo con Bluetooth.

Antes de reproducir música desde un dispositivo con Bluetooth, debe emparejar el dispositivo con los auriculares.

Siga las instrucciones indicadas más abajo para emparejar los auriculares HPB-830.

Cancelación Activa de Ruido (CAR)

Reduce el ruido de fondo para proporcionar un sonido más nítido y realista. En el HPB-830 puede usar el modo de cancelación activa de ruido (CAR) mientras escucha música y también cuando no esté reproduciendo audio.

Instrucciones de Uso e información sobre el Indicador LED.

Para	Hacer esto
Encendido	Mantenga pulsado el botón multifunción durante 2~3 segundos; Tono de aviso: «Power on» ('encendido'); LED: Luz azul.
Apagado	Mantenga pulsado el botón multifunción durante 5~6 segundos; Tono de aviso: «Power off» ('apagado'); LED: Luz roja se apaga.
Emparejamiento	Mantenga pulsado el botón multifunción durante 5~6 segundos; Tono de aviso: «Pairing» ('emparejando'); LED: Luz roja y azul parpadeando alternativamente. (NOTA: cuando la CAR esté activa, los colores serán verde y azul) Una vez los auriculares se conecten con el dispositivo, aparecerá el tono de aviso: «Connected» ('conectado').
Ajuste el volumen.	Pulse el botón +/- . Cuando se alcance el volumen máximo, los auriculares lo indicarán con el tono de aviso: «Max Volume» ('volumen máximo').
Reproducir/Pausar	Pulse el botón multifunción una vez para pausar. Pulse de nuevo para continuar la reproducción.
Pista Next	Mantenga pulsado el botón +
Pista anterior	Mantenga pulsado el botón –
Responder a una llamada	Pulse el botón multifunción
Colgar una llamada	Pulse el botón multifunción
Rechazar una llamada	Mantenga pulsado el botón multifunción 2 segundos hasta escuchar el tono: Dong.
Llamada entrante	LED azul
Cargando	LED roja fija durante la carga
Carga completa	La luz LED se apagará

Emparejamiento

1. Asegúrese de que su teléfono o dispositivo Bluetooth estén encendidos.
2. Para emparejar los auriculares por primera vez, encienda primero los auriculares. Al encenderlos, entrarán en modo emparejamiento, y la luz roja y azul parpadearán alternativamente. Para emparejar unos auriculares que ya se habían emparejado anteriormente con otro dispositivo, asegúrese de que el dispositivo anterior está apagado.
3. Active el Bluetooth en su teléfono o dispositivo Bluetooth, y active el modo de búsqueda de dispositivos Bluetooth.
4. Seleccione “Lenco HPB-830” en la lista de dispositivos encontrados.
5. Cuando el emparejamiento Bluetooth se haya realizado correctamente, sonará un tono de aviso y la luz azul se quedará encendida de forma constante.

Observaciones: Puede desactivar la luz azul de Bluetooth cuando esté escuchando música. Simplemente pulse los botones **Siguiente (4)** y **Anterior (2)** a la vez, hasta que la luz azul parpadee 3 veces.

(Repita este proceso para que la luz azul vuelva a quedarse encendida).

Los auriculares que ya hayan sido emparejados con un dispositivo se conectarán automáticamente con él, siempre que se encuentre encendido y dentro del rango de conexión. Si no es así, los auriculares entrarán en modo reposo y la luz azul seguirá encendida. Cuando los auriculares estén en modo búsqueda o en modo reconexión, el Bluetooth se apagará automáticamente a los 5 minutos.

Cargando

Los auriculares incluyen un cable USB de tipo C, que puede ser conectado al ordenador o a otro dispositivo para cargarlos. Conecte el extremo del cable que tiene el conector de tipo C en la toma de USB C, situada bajo el auricular derecho, y conecte el otro extremo a un puerto USB en su ordenador u otro dispositivo que permita la carga USB. La luz indicadora será roja durante la carga. Una vez finalice la carga, la luz indicadora se apagará. El tiempo de carga con la batería vacía es de dos horas.

Los auriculares cuentan con una batería de litio integrada. Realice una carga de al menos 4 horas antes del primer uso.

(Recomendación: no usar la toma de mechero de un de coche para la primera carga).

Encendido de la Cancelación Activa de Ruido:

Pulse el botón ANC. Oirá «ANC on (ANC encendido)». La luz LED verde se encenderá.

NOTA: La función CAR también puede usarse sin música. La función CAR se desactivará al responder a una llamada.

Apagado de la Cancelación Activa de Ruido:

Pulse el botón ANC. Oirá «ANC off (ANC apagado)». La luz LED verde se apagará.

Encendido del modo Baja Latencia:

Pulse el botón ANC dos veces. Oirá «Low Latency on (baja latencia encendida)».

En este modo, el retardo es imperceptible, logrando una perfecta sincronización labial y una experiencia de juego fluida.

Apagado del modo Baja Latencia:

Pulse el botón ANC dos veces. Oirá «Low Latency off (baja latencia apagada)».

Llamadas telefónicas

Para responder o terminar una llamada: cuando la llamada entre, pulse el botón multifunción para responder, o mantenga pulsado el botón multifunción aproximadamente 1,5 segundos para rechazar la llamada.

Reproducción de música

Conecte sus auriculares a un teléfono o dispositivo Bluetooth compatible con soporte para el perfil Bluetooth A2DP. Las funciones de música disponibles dependen de su dispositivo Bluetooth. Si realiza o recibe una llamada mientras escucha música, la música se detendrá hasta que termine la llamada.

Desconectar los auriculares

Para desconectar los auriculares de su dispositivo, apague los auriculares, o desconecte la función Bluetooth de su dispositivo.

Reconectar los Auriculares

Para reconectar los HPB-830, enciéndalos pulsando el botón de encendido 3 segundos. Los HPB-830 se encenderán y se conectarán automáticamente al dispositivo con el que estuviesen emparejados anteriormente. Cuando se establezca la conexión, se oirá el aviso «connected» ('conectado').

Restaurar los ajustes de fábrica.

1. Abra el menú de configuración de Bluetooth en su teléfono. Seleccione el dispositivo denominado «HPB-830» y elija la opción de olvidar el dispositivo.
2. Si su HPB-830 estaba encendido, la luz LED azul/roja empezará a parpadear. Si estaba apagado, encienda su HPB-830. La luz azul/roja empezará a parpadear (modo emparejamiento)
3. Mantenga pulsados los botones +/- a la vez durante 10 segundos hasta que la luz roja parpadee 3 veces. Entonces el HPB-830 se apagará.
4. La restauración de los ajustes de fábrica habrá terminado.

Conexión con las APP The Smart Life y TUYA

1. Descargue la aplicación escaneando el código QR en su teléfono, o busque «Smart Life» ('Vida Inteligente') en la tienda de aplicaciones de su teléfono, y descargue la aplicación
2. Inicie la app «Smart Life» ('Vida Inteligente') o la app TUYA, y regístrese o inicie sesión si ya dispone de una cuenta.
3. Avance al siguiente paso, «Add device» ('añadir dispositivo'), para establecer una contraseña.
4. Active el Bluetooth; se encontrarán los dispositivos cercanos según la intensidad de la señal.
5. Pulse el botón «Añadir» azul cuando se muestre la imagen HPB-830.
6. Espere a la señal «Connection» ('conexión')
7. Una vez el dispositivo se conecte correctamente: aparecerá «completed» ('completado')
8. Su dispositivo ya está conectado correctamente.

Nota: Si el HPB-830 ha estado conectado previamente a otro dispositivo, será necesario restaurar los ajustes de fábrica, ya que solo puede estar conectado a 1 cuenta tuya/smartlife.

Siga las instrucciones del apartado «Restaurar los ajustes de fábrica» de este manual.

APP



SMART CONTROLS En la interfaz de usuario

- Toque la imagen de los auriculares para controlar el volumen y la pista, además de acceder a las funciones de

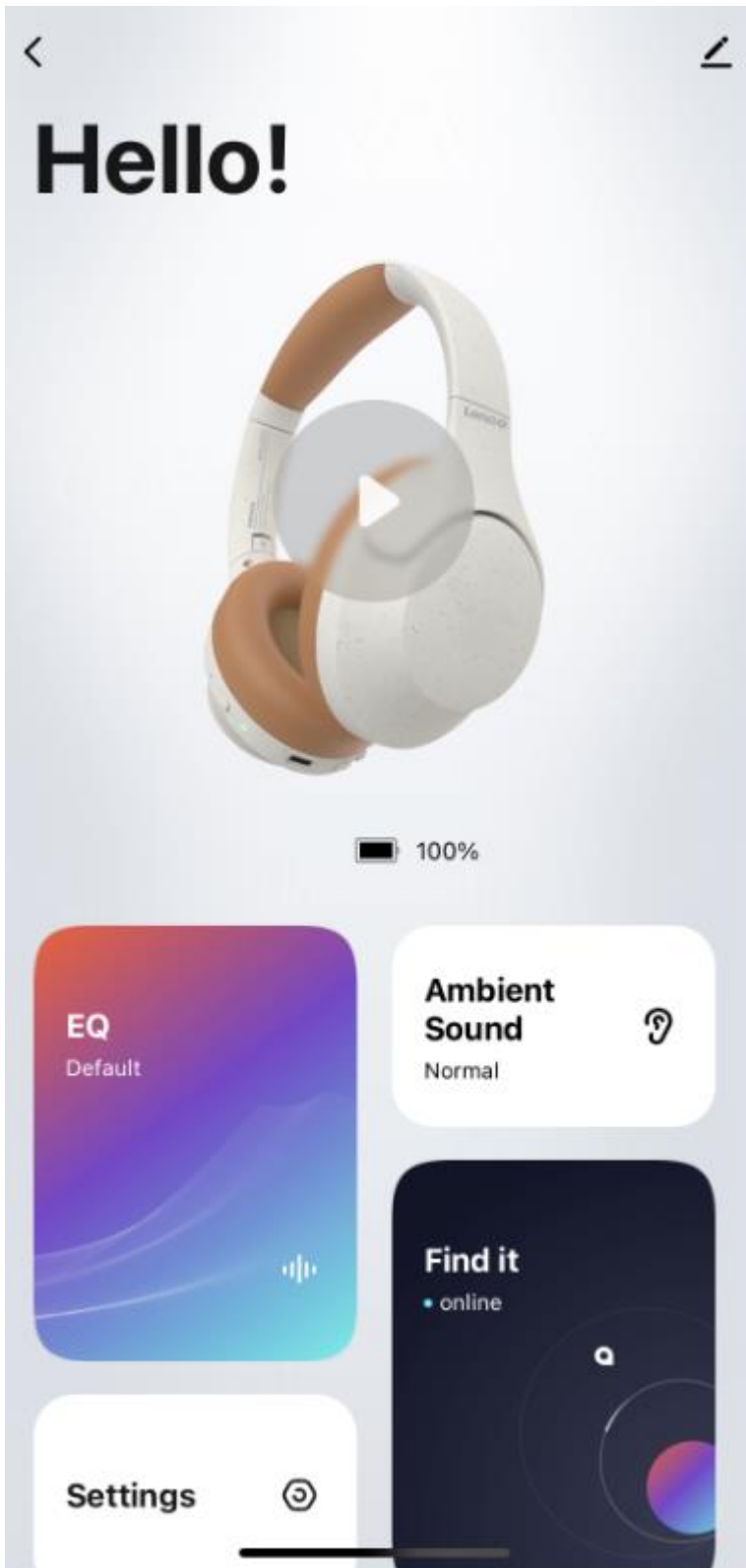
control táctil intuitivo para reproducir/pausar.

- Haga clic en «EQ Equalizer» ('ecualizador')

Adapte la experiencia de sonido a sus gustos con una variedad de predefinidos y una intuitiva función de ecualizador.

- Haga clic en «Ambient sound» ('sonido ambiente') para encender o apagar el modo CAR
- Haga clic en «Setting» ('configuración') para editar el nombre de bluetooth
- Haga clic en «Find it» ('encontrar') para la función localizador de los auriculares

NOTA : cuando la CAR esté activa, la función de ecualizador se desactivará.



Bluetooth

Auriculares conformes con la Especificación Bluetooth 5.3. Aceptan los siguientes perfiles: Headset Profile (HSP), Hands-free Profile (HFP) Advanced Audio Distribution Profile (A2DP) y Audio Video Remote Control Profile (AVRCP).

La distancia máxima de uso es de 15 metros (49 pies), sin barreras de por medio para evitar problemas en la calidad del sonido.

Especificaciones

Unidad de accionamiento	40 mm Neodimio
Impedancia	32 Ω
Respuesta de Frecuencia	20 Hz - 20K Hz
Sensibilidad de los Auriculares	98 dB \pm 3 dB a 1 kHz
Rango de Reducción de Ruido	SÍ (CAR)
Sensibilidad del Micrófono	-42 dB \pm 3dB a 1 kHz
Versión de Bluetooth	V5.3
Cobertura de Radiofrecuencia	2.402 GHZ ~ 2.480 GHZ
Rango de transmisión	\leq 15 m (sin barreras)
Indicador de estado	Indicador LED rojo y azul
Dispositivos compatibles	Ordenador con perfiles Bluetooth HSP, HFP, A2DP, AVRCP, adaptador USB Bluetooth, teléfonos móviles con Bluetooth, etc.,
Batería	Batería recargable de iones de litio, 3,7 V, 400 mAh
Cargando	Ordenador con conexión USB / CC 5 V / Cargador de 500 mA
Tiempo de carga	2,5 horas
Tiempo de uso	Hasta 60 horas (sin CAR)
Tiempo de uso en reposo	250 horas
Peso	240 g

GARANTÍA

Lenco ofrece servicio y garantía en conformidad con las leyes europeas, por lo que en caso de requerir una reparación (tanto durante como después del periodo de garantía) debe ponerse en contacto con su distribuidor local.

Nota importante: No es posible enviar directamente a Lenco los productos que necesiten reparación.

Nota importante: Si se abre la unidad o se accede a su interior en modo alguno en un centro de mantenimiento no oficial, la garantía quedará anulada.

El dispositivo no es adecuado para un uso profesional. En caso de realizar un uso profesional, todas las obligaciones de garantía del fabricante quedarán anuladas.

EXENCIÓN DE RESPONSABILIDAD

Se realizan actualizaciones del firmware y/o componentes de hardware de manera periódica. Por tanto, algunas instrucciones, especificaciones e imágenes de estos documentos podrían diferir ligeramente de su modelo concreto. Todos los elementos descritos en esta guía son únicamente para fines ilustrativos y pueden no corresponderse a su modelo concreto. Las descripciones de este manual no otorgarán ningún derecho legal.

ELIMINACIÓN DEL ANTIGUO DISPOSITIVO



Este símbolo indica que el producto eléctrico o batería pertinente no debe eliminarse con los residuos domésticos generales en Europa. Para garantizar un tratamiento correcto de los residuos del producto y las pilas, elimínelos en conformidad con las leyes locales vigentes para la eliminación de equipos eléctricos y pilas. Al hacerlo, ayudará a preservar los recursos naturales y mejorar los niveles de protección del medio ambiente en el tratamiento y eliminación de residuos eléctricos (Directiva sobre residuos de aparatos eléctricos y electrónicos).

DECLARACIÓN DE CONFORMIDAD

Por el presente, Commaxx declara que el equipo de radio tipo [Lenco HPB-830] cumple con la directiva 2014/53/UE. El texto completo de la declaración UE de conformidad está disponible en la siguiente dirección de Internet:

https://commaxx-certificates.com/doc/hpb-830_doc.pdf

Tipo de radiofrecuencia	Rango de frecuencia (MHz)	Potencia (dBm)
Bluetooth	2402-2480	<6

SERVICIO TÉCNICO

Para más información y atención al cliente, visite www.lenco.com

Commaxx B.V. Wiebachstraat 37, 6466 NG Kerkrade, The Netherlands.

FORSIGTIG:

Hvis enheden ikke anvendes, justeres og behandles i overensstemmelse med brugervejledningen, kan det resultere i farlig stråling.

FORHOLDSREGLER FØR IBRUGTAGNING**HUSK DISSE ANVISNINGER:**




1. Tildæk eller blokér ikke ventilationsåbningerne. Når enheden anbringes på en hylde, skal der være 5 cm friplads rundt om hele enheden.
2. Installér enheden iht. anvisningerne i den medfølgende brugervejledning.
3. Hold enheden på afstand af varmekilder som fx radiatorer, varmeapparater, ovne, stearinlys og andre varmegenererende produkter samt åben ild.
Enheden er udelukkende til brug i tempererede klimazoner. Undgå stærk varme og kulde. Driftstemperatur mellem 0° og 35°C.
4. Undlad at anvende enheden nær stærke magnetfelter.
5. Elektrostatisk udladning kan forstyrre denne enheds normale drift. Sker det, skal du blot nulstille og genstarte enheden i henhold til anvisningerne i brugervejledningen. Under filoverførsel skal du handle med omhu og betjene enheden i et område fri for statisk elektricitet.
6. Advarsel! Stik aldrig genstande ind i enheden gennem ventilationsåbninger eller sprækker. Produktet indeholder strømførende dele, og hvis du stikker en genstand ind i enheden, kan det medføre elektrisk stød og/eller kortslutning af de indre dele. Af samme grund må du ikke spilde vand eller væske på produktet.
7. Benyt ikke enheden på våde eller fugtige steder som fx på et badeværelse, i et dampfyldt køkken eller nær en swimmingpool.
8. Enheden må ikke udsættes for dryp eller stænk. Der må ikke anbringes genstande fyldt med væske, som fx vaser, på eller i nærheden af apparatet.
9. Brug ikke enheden på steder, hvor der kan opstå kondens. Hvis enheden placeres i et varmt og fugtigt rum, kan der danne sig vanddråber eller kondens inde i den, og den kan muligvis ikke fungere korrekt. Lad enheden stå slukket i 1 - 2 timer, inden du tænder den. Enheden skal være tør, når der tændes for strømmen.
10. Trods det, at enheden er fremstillet med yderste omhu og kontrolleret flere gange før afsendelse fra fabrikken, kan det stadig forekomme, som med alle elektriske apparater, at der opstår problemer. Hvis du oplever røg eller overdreven varmeudvikling eller andre uventede fænomener, bør du omgående tage stikket ud af stikkontakten.
11. Denne enhed skal drives af en strømkilde som den, der er angivet på mærkepladen. Hvis du ikke er sikker på, hvilken forsyningsspænding, der anvendes i dit hjem, bør du søge vejledning hos din forhandler eller det lokale elselskab.
12. Hold enheden udenfor dyrs rækkevidde. Nogle kæledyr kan finde på at bide i strømkabler.
13. Rengør enheden med en blød, tør klud. Brug ikke opløsningsmidler eller benzinbaserede væsker. Hårdnakkede pletter kan fjernes med en let fugtet klud med en mild sæbeopløsning.
14. Producenten er ikke ansvarlig for skade eller mistede data, der skyldes fejlfunktion, misbrug, ændringer af enheden eller udskiftning af batterier.
15. Undlad at afbryde forbindelsen, mens enheden formateres, eller der overføres filer. I modsat fald kan data blive beskadiget eller gå tabt.
16. Hvis enheden er udstyret med funktion til USB-afspilning, skal USB-sticken sættes direkte i apparatet. Brug ikke et USB-forlænger-kabel, da et sådant kan skabe interferens og føre til tab af data.
17. Mærkepladen findes i bunden eller på bagsiden af enheden.
18. Denne enhed må ikke bruges af personer (inkl. børn) med nedsatte fysiske motoriske eller mentale evner eller manglende erfaring, medmindre de er blevet instrueret i brugen af en person, der er ansvarlig for deres sikkerhed, og er under dennes opsyn.
19. Produktet er udelukkende beregnet til professionel brug, ikke til kommerciel eller industriel anvendelse.
20. Sørg for, at enheden er placeret stabilt. Skade, der skyldes anvendelse af produktet i en ustabil position, vibrationer, stød eller manglende overholdelse af de retningslinjer og andre advarsler, der er udstykket i denne brugervejledning, dækkes ikke af garantien.
21. Åbn aldrig enhedens kabinet.
22. Placér aldrig denne enhed ovenpå andet elektrisk udstyr.
23. Lad ikke børn få adgang til plastposer.
24. Brug kun tilslutninger/tilbehør, der er angivet af producenten.
25. Overlad alt servicearbejde til et kvalificeret serviceværksted. Service er påkrævet, hvis enheden på nogen måde er blevet beskadiget, hvis fx strømkablet eller stikket er beskadiget, hvis der er spildt væske på enheden, eller hvis en genstand er faldet ned i den, hvis enheden har været udsat for regn eller fugt, ikke fungerer korrekt eller er blevet tabt.

26. Langvarig lytning til musik ved høj lydstyrke kan medføre midlertidigt eller permanent høretab.
27. Hvis produktet leveres med strømkabel eller strømforsyning til vekselstrøm:
- Hvis der opstår problemer, skal du tage stikket ud af kontakten og overlade al service til kvalificeret tekniker.
 - Undlad at træde på eller klemme strømforsyningen. Vær forsigtig, især nær de steder, hvor stik og kabler er fastgjort. Undlad at placere tunge genstande på strømforsyningen, da dette vil kunne beskadige den. Hold hele enheden udenfor børns rækkevidde! Hvis børn leger med strømkabler, kan de komme slemt til skade.
 - Tag stikket ud af stikkontakten i tordenvejr, samt hvis du ikke skal bruge enheden i længere tid.
 - Enheden skal placeres nær stikkontakten, og der skal altid være let adgang til den stikkontakt, enheden er tilsluttet.
 - Undlad at overbelaste stikkontakter eller forlængerledninger. Overbelastning kan medføre brand eller elektrisk stød.
 - Enheder med klasse 1-opbygning bør forbindes til en stikkontakt med jord.
 - Enheder med klasse 2-opbygning kræver ikke jordforbindelse.
 - Hold altid i stikket, når du tager det ud af stikkontakten. Træk ikke i ledningen. Dette kan medføre kortslutning.
 - Brug ikke en beskadiget ledning eller stik eller en løs stikkontakt. Gør du det, kan det medføre brand eller elektrisk stød.
28. Hvis produktet indeholder eller leveres med en fjernbetjening indeholdende knapcellebatterier:
Advarsel:
- "Slug ikke batteriet, der er risiko for kemisk forbrænding" eller tilsvarende.
 - [Fjernbetjeningen leveret med] dette produkt indeholder et knapcellebatteri. Hvis batteriet sluges, kan det medføre alvorlige indre forbrændinger på blot 2 timer, hvilket kan medføre dødsfald.
 - Hold nye og brugte batterier udenfor børns rækkevidde.
 - Hvis batterirummet ikke kan lukkes sikkert, skal du holde op med at bruge produktet og holde det udenfor børns rækkevidde.
 - Hvis du tror, et batteri kan være blevet slugt eller placeret inden i nogen del af kroppen, skal du omgående søge lægehjælp.
29. OBS ved brug af batterier:
- Eksplosionsfare, hvis batteriet udskiftes med et andet af forkert type. Udskift udelukkende med samme eller tilsvarende type.
 - Batteriet må ikke udsættes for ekstremt høje eller lave temperaturer eller lavt lufttryk ved stor højde under brug, opbevaring eller transport.
 - Udskiftning af et batteri med et andet af forkert type kan medføre eksplosion eller lækage af brændbar væske eller gas.
 - Bortskaffelse af batterier ved afbrænding eller i en varm ovn eller ved mekanisk knusning eller opskæring af et batteri kan medføre en eksplosion.
 - Hvis et batteri efterlades i omgivelser med ekstremt høje temperaturer, kan det medføre eksplosion eller lækage af brændbar væske eller gas.
 - Hvis et batteri udsættes for ekstremt lavt lufttryk, kan det medføre eksplosion eller lækage af brændbar væske eller gas.
 - Tænk på miljøet ved bortskaffelse af brugte batterier.

INSTALLATION

- Udpak alle dele, og fjern beskyttelsesmaterialerne.
- Slut ikke enheden til lysnettet, før du har kontrolleret forsyningsspændingen og foretaget alle nødvendige tilslutninger.

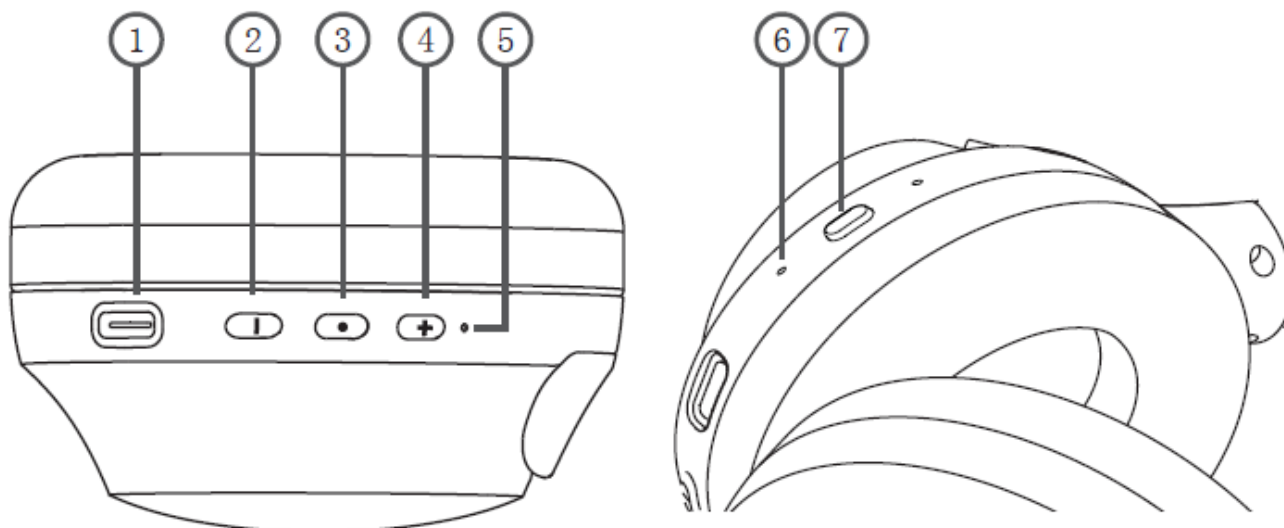
Pakkens indhold

Headset	1 stk.
TYPE-C-ladekabel 	1 stk.
Brugervejledning 	1 stk.
Bæretaske 	1 stk.

Taster og dele

Headsettet består af følgende dele:

- 1 x headset
- 1 x opladningskabel
- 1 x brugervejledning
- 1 x bæretaske



1. Type-C-opladningsport
2. Sænkning af lydstyrke -/Forrige sang
3. MFB (tænd/sluk: Besvar/afslut telefonopkald; Afspil/sæt på pause)
4. Forøgelse af lydstyrke +/Næste sang
5. LED-indikatorlys
6. ANC LED-indikatorlys
7. ANC-knap

Headsettet Lenco HPB-830 giver dig mulighed for at lytte til din yndlingsmusik og modtage/foretage håndsfri telefonopkald på din mobiltelefon eller fra en kompatibel Bluetooth-enhed.

Bluetooth®

Med den trådløse Bluetooth®-teknologi kan du streame musik fra Bluetooth-smartphones, tabletter, computere og andre lydenheder til dit headset.

Du skal parre Bluetooth-enheden med dit headset, før du kan streame musik fra enheden.

Følg anvisningerne nedenfor om parring af headsettet HPB-830.

Aktiv støjreduktion (ANC)

Reducerer uønsket støj fra omgivelserne og giver en mere klar og ægte lydoplevelse. Du kan bruge aktiv støjreduktion (ANC) på HPB-830, mens du lytter til lyd, eller du kan bruge støjdemningen uden musik.

Betjeningsvejledning og oplysninger om lysdiodestatus.

Formål	Handling
Tænd	Tryk på multifunktionsknappen i 2-3 sekunder. Der udsendes en lydprompt: Headsettet er tændt. Lysdiode: Lyser blå.
Sluk	Tryk og hold MFB nede i 5~6 sekunder; lydprompt: Headsettet er slukket. Lysdiode: Rødt lys slukkes.
Parring	Tryk og hold MFB nede i 5~6 sekunder; lydprompt: Parring. Lysdiode: Blinker skiftevis blå og rødt. (BEMÆRK: Når ANC er aktiv, lyser lysdioden grønt/blå). Når headsettet er tilsluttet en enhed, udsendes en lydprompt: Tilsluttet.
Justering af lydstyrken	Tryk kort på knappen +/- . Headsettet udsender en lydprompt, når den maksimale lydstyrke nås: Maks. lydstyrke.
Afspil/Sæt på pause	Tryk på multifunktionsknappen for at sætte på pause. Tryk igen for at fortsætte.
Næste musiknummer	Tryk længe på knappen +
Forrige musiknummer	Tryk længe på knappen –
Besvar et opkald	Tryk kort på multifunktionsknappen
Afslut et opkald	Tryk kort på multifunktionsknappen
Afvis et opkald	Tryk og hold MFB nede i 2 sekunder: lydprompt: Dong.
Indgående opkald	Blå lysdiode
Opladning	Lysdioden lyser konstant rødt under opladning
Opladning udført	Lysdioden slukker

Parring

1. Kontrollér, at telefonen eller Bluetooth-enheden er tændt.
2. Tænd headsettet for at parre det med en enhed, som det ikke før har været parret med. Headsettet aktiverer derefter parringstilstanden, og lysdioden begynder at blinke hurtigt skiftevis blå og rødt. For at parre headsettet, som tidligere har været parret med en anden enhed, skal du kontrollere, at den enhed er slukket.
3. Aktivér Bluetooth på din telefon eller Bluetooth-enhed, og start søgning efter Bluetooth-enheden.
4. Vælg "Lenco HPB-830" fra listen over fundne enheder på din telefon eller Bluetooth-enhed.
5. Når parringen er udført, udsendes en lydprompt, og lysdioden lyser konstant blå.

Bemærk: Du kan slukke for det blå Bluetooth-lys, når du lytter til musik, ved at trykke på knapperne **Næste (4)** og **Forrige (2)** samtidigt, indtil den blå LED blinker 3 gange.

(Gentag denne procedure for at aktivere det blå lys igen).

Et headset, som tidligere har været parret med en enhed, opretter automatisk forbindelse til enheden, hvis enheden er tændt og er inden for tilslutningsrækkevidde. Ellers går headsettet i standbytilstand, og den blå lysdiode fortsætter med at lyse. I tilstanden for Bluetooth-søgning eller genoprettelse af forbindelse slukkes Bluetooth automatisk efter fem minutter.

Opladning

Headsettet indeholder et type-C USB-kabel, der kan tilsluttes din computer eller en anden enhed, der er beregnet til USB-opladning. Slut USB Type-C-stikket på det medfølgende USB-kabel til USB-C-stikket under højre ørekop på hovedtelefonerne, og slut det andet stik til en USB-port på din computer eller anden enhed til USB-opladning. Lysdioden lyser rødt under opladning. Lysdioden slukker, når headsettet er fuldt opladet. Opladningstiden er to timer på et tomt batteri.

Headsettet har et indbygget litiumbatteri. Batteriet skal oplades i mindst fire timer før første brug. (Forslag: Brug ikke en biloplader første gang).

Slå aktiv støjreduktion til:

Tryk kort på ANC-knappen. Du hører talemmeddelelsen "ANC on (ANC slået til)". Lysdioden lyser grønt.

BEMÆRK: ANC-funktionen kan også bruges uden musik. Når du besvarer et opkald, virker ANC-funktionen ikke

Slå aktiv støjreduktion fra:

Tryk kort på ANC-knappen. Du hører talemmeddelelsen "ANC off (ANC slået fra)". Den grønne lysdiode slukker.

Lav latens til:

Tryk kort to gange på ANC-knappen. Du hører talemmeddelelsen "Low Latency on (Lav latens slået til)".

I denne tilstand: Ingen forsinkelse for perfekt synkronisering og responsiv gaming.

Lav latens fra:

Tryk kort to gange på ANC-knappen. Du hører talemmeddelelsen "Low Latency off (Lav latens slået fra)".

Telefonopkald

Tryk hurtigt på multifunktionsknappen for at besvare eller afslutte et opkald, når der modtages et telefonopkald, eller tryk på multifunktionsknappen i ca. 1,5 sekunder for at afvise opkaldet.

Lytning til musik

Slut headsettet til en telefon eller en kompatibel Bluetooth-enhed, der understøtter Bluetooth-profilen A2DP. De tilgængelige musikfunktioner afhænger af Bluetooth-enheden. Hvis du modtager et opkald, mens du lytter til musik, sættes musikken på pause, indtil du afslutter opkaldet.

Afbrydelse af headsettet

Sluk headsettet for at afbryde det fra din enhed, eller afbryd Bluetooth-funktionen på din Bluetooth-enhed.

Genoprettelse af forbindelsen til headsettet

Tænd HPB-830 ved at trykke på tænd/sluk-knappen i tre sekunder for at genoprette forbindelsen til headsettet. HPB-830 tændes og opretter automatisk forbindelse til den tidligere tilsluttede enhed. Når forbindelsen er oprettet, udsendes en lydprompt, der bekræfter tilslutningen.

Nulstil til fabriksindstillingerne.

1. Gå til Bluetooth-indstillingsmenuen på din telefon. Vælg den enhed, der er angivet som "HPB-830", og vælg at glemme enheden.
2. Hvis din HPB-830 var tændt, begynder LED-lyset at blinke blå/rødt. Hvis den var slukket, skal du tænde HPB-830. Lyset vil begynde at blinke blå/rødt (parringstilstand).
3. Tryk og hold +/-knapperne nede samtidig i 10 sekunder, indtil lyset blinker rødt 3 gange, hvorefter HPB-830 slukkes.
4. Nulstillingen til fabriksindstillingerne er nu fuldført.

Tilslutning til Smart Life-appen eller TUYA-appen

1. Download appen ved at scanne QR-koden med din mobiltelefon, eller søg efter "Smart Life" i din app-butik, og download appen.
2. Start "Smart Life"-app'en eller TUYA-app'en, og opret en ny konto, eller brug din eksisterende konto.
3. Fortsæt til trinnet "Add device" (Tilføj enhed) for at indstille adgangskoden.
4. Tænd for Bluetooth. Enheder i nærheden vil blive fundet baseret på signalets styrke.
5. Tryk på den blå knap 'Tilføj', når HPB-830-billedet vises.
6. Vent på meddelelsen "Connection" (Forbindelse)
7. Enheden er tilføjet: Beskeden "completed" (fuldført) vises
8. Din enhed er nu forbundet.

Bemærk: Hvis HPB-830 tidligere har været tilsluttet en anden enhed, er det nødvendigt at foretage en nulstilling til fabriksindstillingerne, da den kun kan forbindes til 1 TUYA-/Smart Life-konto.

Følg instruktionerne "Nulstil til fabriksindstillingerne" i denne manual.

APP



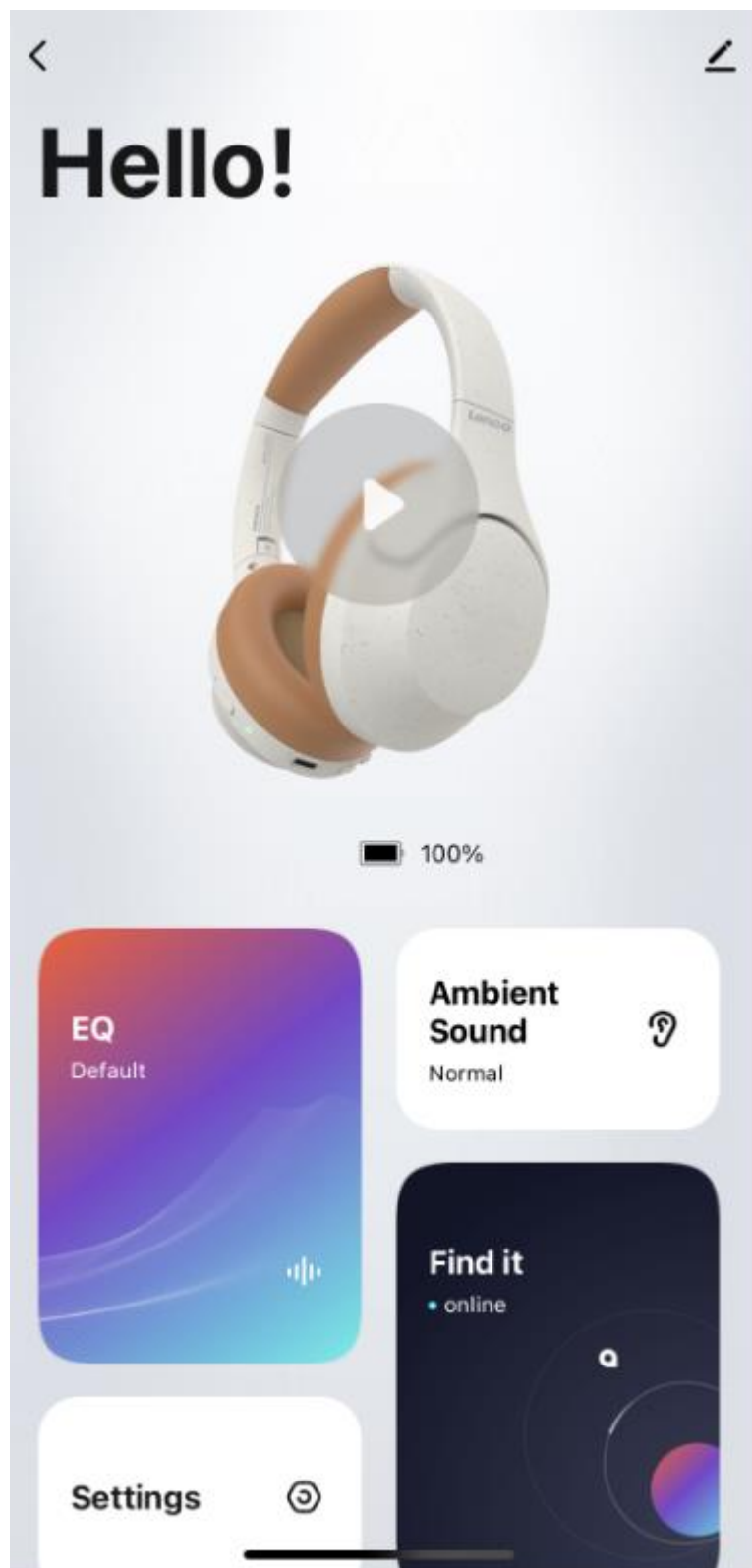
SMART-KONTROLFUNKTIONER på brugergrænsefladen

- Tryk på billederne af hovedtelefonerne for at styre lydstyrke, sang, afspil og pause med intuitive touch-kontrolfunktioner.
- Klik på "EQ Equalizer" (EQ-equalizer)

Skræddersy lydoplevelsen til din smag med et udvalg af forudindstillinger og en intuitiv equalizer-funktion.

- Klik på "Ambient sound" (Omgivende lyd) for at slå ANC til/fra.
- Klik på "Setting" (Indstillinger) for at redigere Bluetooth-navnet
- Klik på "Find it" (Find dem) for at forhindre, at du mister dine hovedtelefoner

BEMÆRK : Når ANC er aktiveret, er equalizerfunktionen deaktiveret.



Bluetooth

Headsettet overholder specifikationerne i Bluetooth 5.3 og understøtter følgende profiler: Headset Profile (HSP), Hands-free Profile (HFP), Advanced Audio Distribution Profile (A2DP) og Audio Video Remote Control Profile (AVRCP).

Afstanden til enheden bør holdes inden for 15 meter uden forhindringer mellem enhederne for at undgå problemer med lyd kvaliteten.

Specifikationer

Driverenhed	40 mm Nd
Impedans	32 Ω
Frekvensområde for driverenhed	20 Hz-20 kHz
Headsetfølsomhed	98 dB \pm 3 dB ved 1 KhZ
Støjreduktionsområde	JA (ANC)
Mikrofonfølsomhed	-42 dB \pm 3 dB ved 1 KhZ
Bluetooth-version	V5.3
Radiofrekvensområde	2,402-2,480 GHz
Senderækkevidde	\leq 15 m (uden barrierer)
Statusangivelse	Rød og blå lysdiode
Produkter med parringsmulighed	Bluetooth-computer med Bluetooth-protokollerne HSP, HFP, A2DP og AVRCP, Bluetooth-adapter til USB, Bluetooth-mobiltelefoner osv.
Batteri	Genopladeligt lithium-ion-batteri, 3,7 V, 400 mAh
Opladning	USB-port på computer/oplader med jævnstrøm på 5 V/500 mA
Opladningstid	2,5 timer
Driftstid	op til 60 timer (uden ANC)
Standbytid	250 timer
Vægt	240 g

GARANTI

Lenco tilbyder service og garanti i overensstemmelse med europæisk lovgivning, hvilket betyder, at i tilfælde af reparation (både under og efter garantiperiodens udløb) bør du kontakte din lokale forhandler.

Vigtig meddelelse: Det er ikke muligt at sende produktet direkte til Lenco, hvis det kræver reparation.

Vigtig meddelelse: Hvis enheden åbnes eller på nogen måde tilgås af et ikke-godkendt servicecenter, bortfalder garantien.

Denne enhed er ikke egnet til professionel brug. I tilfælde af professionel brug bortfalder alle garantiforpligtelser fra producentens side.

ANSVARFRASKRIVELSE

Firmware og/eller hardwarekomponenter opdateres regelmæssigt. Derfor kan visse dele af vejledningen, specifikationerne og illustrationerne i vejledningen variere en smule fra dit faktiske produkt. Alle elementer, der beskrives i denne vejledning, er kun til illustration og gælder måske ikke i den givne situation. Ingen juridisk ret eller rettighed kan opnås fra beskrivelsen i denne vejledning.

BORTSKAFFELSE AF GAMLE ENHEDER



Dette symbol angiver, at det relevante elektriske produkt eller batteri indenfor Europa ikke bør bortskaffes med det almindelige husholdningsaffald. For at sikre korrekt affaldsbehandling af produktet og batteriet skal du bortskaffe dem i overensstemmelse med gældende lokal lovgivning om bortskaffelse af elektrisk udstyr eller batterier. På den måde hjælper du med at bevare naturressourcer og forbedre miljøbeskyttelsen indenfor behandling og bortskaffelse af elektrisk affald (Direktiv om affald af elektrisk og elektronisk udstyr).

OVERENSSTEMMELSESERKLÆRING

Commaxx erklærer hermed, at radioudstyret af typen [Lenco HPB-830] er i overensstemmelse med with direktivet 2014/53/EU. EU-overensstemmelseserklæringens fulde tekst kan findes på følgende internetadresse:

https://commaxx-certificates.com/doc/hpb-830_doc.pdf

Type RF	Frekvensområde (MHz)	Effekt (dBm)
Bluetooth	2402 - 2480	< 6

SERVICE

Få mere information og kundeservice på www.lenco.com

Commaxx B.V. Wiebachstraat 37, 6466 NG Kerkrade, The Netherlands.

VAR FÖRSIKTIG:

Att använda kontroller eller justeringar eller utföra andra förfaranden än de som anges häri kan leda till att du utsätts för farlig strålning.

FÖRSIKTIGHETSÅTGÄRDER INNAN ANVÄNDNING**HA DESSA INSTRUKTIONER I ÅTANKE:**

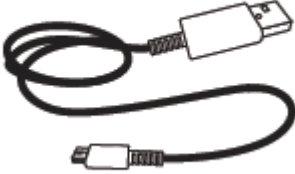


1. Täck inte över eller blockera några ventilationsöppningar. När du placerar enheten på en hylla ska du lämna 5 cm (2") fritt utrymme runt hela enheten.
2. Montera i enlighet med den medföljande användarmanualen.
3. Håll enheten borta från värmekällor såsom radiatorer, värmare, spisar, ljus och andra värmegenererande produkter eller öppen eld.
Enheter kan endast användas i måttliga klimat. Extremt kalla eller varma omgivning bör undvikas.
Drifttemperatur mellan 0 och 35 °C.
4. Undvik att använda enheten nära starka magnetfält.
5. Elektrostatisk urladdning kan störa den normala användningen av den här enheten. Återställ och starta om enheten enligt instruktionsboken om så är fallet. Hantera försiktigt och använd i en statiskt fri miljö vid filöverföring.
6. Varning! För aldrig in ett föremål i produkten genom ventilerna eller öppningarna. Högsänkning flödar genom produkten och om du för in ett föremål kan det orsaka elektriska stötar och/eller kortslutning av interna komponenter. Spill inte vatten eller vätska på produkten av samma anledning.
7. Använd inte i våta eller fuktiga områden såsom badrum, ångfyllda kök eller i närheten av simbassänger.
8. Enheten får inte utsättas för dropp eller stänk och se till att inga föremål fyllda med vätskor såsom vaser placeras på eller i närheten av den.
9. Använd inte den här enheten när kondens kan uppstå. När enheten används i ett varmt och fuktigt rum kan vattendroppar eller kondens uppstå inuti enheten och enheten kanske inte fungerar som den ska. Låt enheten vara avstängd i en eller två timmar innan du slår på strömmen igen. Enheten ska vara torr innan strömmen slås på.
10. Även om denna enhet tillverkas med största omsorg och kontrolleras flera gånger innan den lämnar fabriken är det fortfarande möjligt att problem kan uppstå vilket gäller alla elektriska apparater. Om du märker rök, kraftig uppbyggnad av värme eller andra oväntade fenomen ska du omedelbart dra ur kontakten ur eluttaget.
11. Enheten måste drivas med en strömkälla såsom anges på de särskilda märkningskraven. Kontakta din återförsäljare eller lokala elbolag om du är osäker på vilken typ av strömförsörjning som används i ditt hem.
12. Håll på säkert avstånd från husdjur. Vissa djur kan bita på elkablar.
13. Använd en mjuk och torr trasa för att rengöra enheten. Använd inte lösningsmedel eller bensinbaserade vätskor. För att ta bort allvarliga fläckar kan du använda en fuktig trasa med utspätt rengöringsmedel.
14. Leverantören ansvarar inte för skador eller förlorade data orsakade av fel, missbruk, modifiering av enheten eller batteribyte.
15. Avbryt inte anslutningen när enheten formaterar eller överför filer. Data kan då bli skadade eller förloras.
16. Om enheten har en funktion med USB-uppspelning bör USB-minnet anslutas direkt till enheten. Använd inte en USB-förlängningskabel eftersom den kan orsaka störningar som kan leda till att data förloras.
17. Klassificeringsetiketten är placerad på enhetens undersida eller baksida.
18. Den här enheten är inte avsedd för att användas av personer (inklusive barn) med fysiska, sensoriska eller psykiska funktionshinder eller brist på erfarenhet och kunskap såvida de inte är under övervakning av eller har fått instruktioner om korrekt användning av enheten av den person som ansvarar för deras säkerhet.
19. Den här produkten är endast avsedd för icke-professionell användning och inte för kommersiellt eller industriellt bruk.
20. Se till att enheten är justerad till en stabil position. Skador orsakade av att använda den här produkten i ett instabilt läge med vibrationer eller stötar eller av att inte följa någon annan varning eller försiktighetsåtgärd i denna användarmanual täcks inte av garantin.
21. Ta aldrig bort enhetens hölje.
22. Placera aldrig enheten på annan elektrisk utrustning.
23. Låt inte barn ha tillgång till plastpåsar.
24. Använd endast tillbehör som anges av tillverkaren.
25. Överlåt all service till kvalificerad servicepersonal. Service krävs när enheten har skadats på något sätt, exempelvis på strömkabeln eller strömkontakten, när vätska har spillts eller föremål fallit in i den, när den har utsatts för regn eller fukt och inte fungerar normalt eller har tappats.
26. Lång exponering för höga ljud från musikspelare kan leda till tillfällig eller permanent hörselnedsättning.
27. Om produkten levereras med strömkabel eller nätadapter:
 - Dra ur strömkabeln och kontakta behörig personal för service om ett problem uppstår.

- Trampa inte på nätadaptern och kläm den inte. Var mycket försiktig och då särskilt nära kontakter och kabelns uttag. Placera inte tunga föremål på nätadaptern då detta kan skada den. Håll hela enheten utom räckhåll för barn! När de leker med strömkabeln kan de skada sig själva.
 - Koppla ur denna enhet under åskväder eller när den inte används under en längre period.
 - Eluttaget måste finnas nära utrustningen och måste vara lättillgängligt.
 - Överbelasta inte eluttaget eller förlängningsladdar. Överbelastning kan orsaka brand eller elektriska stötar.
 - Enheter med klass 1-konstruktion bör anslutas till ett vägguttag med skyddsjord.
 - Enheter med klass 2-konstruktion kräver ingen jordad anslutning.
 - Håll alltid i kontakten när du drar ut den ur vägguttaget. Dra inte i strömkabeln. Detta kan orsaka en kortslutning.
 - Använd inte en skadad strömkabel, strömkontakt eller ett löst vägguttag. Om du gör detta kan det orsaka brand eller elektriska stötar.
28. Om produkten innehåller eller levereras med en fjärrkontroll som innehåller mynt/cellbatterier:
Varning:
- "Svälj inte batterier då kemiska brännskador" eller motsvarande kan uppstå.
 - [Den medföljande fjärrkontrollen] Denna produkt innehåller ett knappcells batteri. Om batteriet sväljs kan det orsaka allvarliga inre brännskador på bara två timmar och vara livshotande.
 - Håll nya och använda batterier borta från barn.
 - Om batterifacket inte går att stänga ordentligt bör du sluta använda produkten och hålla den borta från barn.
 - Om du tror att batterier har svalts eller finns någonstans i kroppen ska du omedelbart söka läkarvård.
29. Varning om användning av batterier:
- Explosionsrisk om batteriet byts ut felaktigt. Byt endast ut mot samma eller motsvarande typ.
 - Batteriet får inte vid användning, förvaring eller transport utsättas för extremt höga eller låga temperaturer samt lågt lufttryck vid hög höjd.
 - Att byta ut ett batteri mot en felaktig typ kan leda till en explosion eller läckage av brandfarlig vätska eller gas.
 - Kassering av ett batteri i eld, en varm ugn, mekaniskt krossning eller skärning av det kan resultera i en explosion.
 - Att lämna ett batteri i en omgivning med extremt hög temperatur kan resultera i en explosion eller läckage av brandfarlig vätska eller gas.
 - Ett batteri som utsätts för extremt lågt lufttryck kan leda till en explosion eller läckage av brandfarlig vätska eller gas.
 - Miljöaspekterna bör uppmärksammas när det gäller kassering av batterier.

MONTERING

- Packa upp alla delar och ta bort skyddsmaterialet.
- Anslut inte enheten till elnätet innan du kontrollerar nätspänningen och att alla andra anslutningar har gjorts.

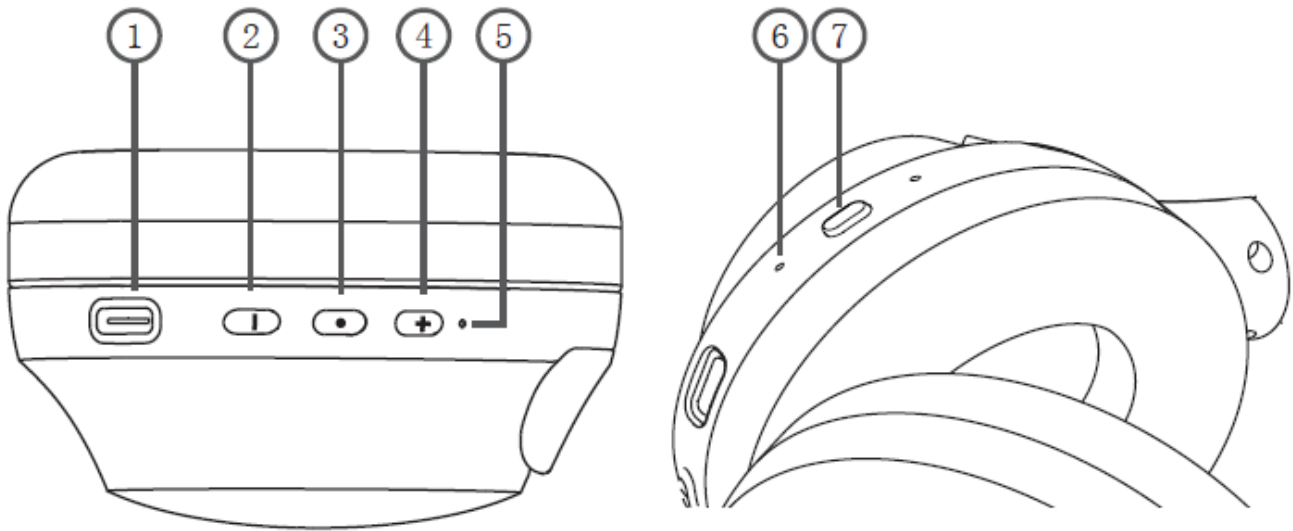
Förpackningens innehåll

Hörlurar	1 st.
TYPE-C-laddningskabel 	1 st.
Bruksanvisning 	1 st.
Bärfodral 	1 st.

Knappar och delar

Headsetet innehåller följande delar:

- Headset x 1
- Laddningskabel x 1
- Bruksanvisning x 1
- Bärfodral x 1



1. Laddningsport med Type-C
2. Volym ner/föregående sång
3. MFB (ström på/av, svara på/avsluta samtal, spela upp/pausa)
4. Volym upp/nästa sång
5. LED-indikatorlampa
6. LED-indikatorlampa för ANC
7. ANC-knapp

Med hörlurarna Lenco HPB-830 kan du lyssna på din favoritmusik och ta emot/ringa handsfreesamtal på din mobiltelefon eller från en kompatibel Bluetooth-enhet.

Bluetooth®

Med trådlös Bluetooth®-teknik kan du strömma musik till dina hörlurar från smartphones, surfplattor, datorer eller andra ljudenheter som använder Bluetooth.

Innan du kan strömma musik från en Bluetooth-enhet måste du para ihop enheten med dina hörlurar.

Följ anvisningarna nedan för att para ihop hörlurarna HPB-830.

Aktiv brusreducering (ANC)

Minskar oönskat brus från omgivningen och ger ett tydligare, mer verklighetstroget ljud. Med HPB-830 kan du använda aktiv brusreducering (ANC) när du lyssnar på ljud/musik, men det går även att använda brusreduceringen utan musik.

Bruksanvisning och information om LED-indikatorn.

För att/status	Gör du detta/händer detta
Slå på	Håll strömknappen intryckt i 2–3 sekunder – en ton hörs – hörlurarna slås på – Blå lysdiod lyser.
Stänga av	Tryck på och håll MFB nedtryckt i cirka 5–6 sekunder, Varningston, Stäng av, LED, Rött ljus släcks.
Parkoppling	Håll strömknappen intryckt i 5-6 sekunder – en ton hörs – ihopparring sker – blå och röd lysdiod blinkar växelvis. (OBS: när ANC är aktivt lyser lysdioden grönt/blått) När hörlurarna ansluts till en enhet hörs en prompt: "Connected".
Justera volymen	Tryck på knappen +/- . När den högsta volymen uppnås indikerar hörlurarna detta med en varningston: Högsta volym.
Spela upp/paus	Tryck på strömknappen en gång för att pausa. Tryck igen för att fortsätta.
Next spår	Håll knappen + intryckt
Föregående spår	Håll knappen – intryckt
Besvara ett samtal	Tryck på strömknappen
Avsluta ett samtal	Tryck på strömknappen
Avvisa ett samtal	Tryck på och håll MFB nedtryckt i 2 sekunder och en varningston hörs: pip.
Inkommande samtal	Blå lysdiod
Laddning	Röd lysdiod lyser med fast sken under laddning
Laddning klar	Lysdioden slocknar

Parkoppling

1. Se till att din telefon eller Bluetooth-enhet är påslagen.
2. För att para ihop ett headset som inte har parats ihop med en enhet tidigare börjar du med att slå headsetet. Därefter går headsetet till ihopparningsläget och den blå och röda indikatorlampan börjar blinka snabbt växelvis. För att para ihop ett headset som har parats ihop med en enhet tidigare ska du se till att den andra enheten är avstängd.
3. Aktivera Bluetooth på din telefon eller Bluetooth-enhet och ställ in den på att söka efter Bluetooth-enheter.
4. Välj "Lenco HPB-830" i listan över enheter som har hittats på din telefon eller Bluetooth-enhet.
5. När Bluetooth har parats ihop hörs en ton och den blå lysdioden övergår till fast sken.

Anmärkning: Du kan släcka det blåa Bluetooth-ljuset medan du lyssnar på musik genom att trycka på knappen **Nästa (4)** och **Föregående (2)** samtidigt till den blå lysdioden blinkar tre gånger.

(Upprepa den här proceduren för att tända det blå ljuset igen.)

Om headsetet tidigare har parats ihop med en enhet ansluts det automatiskt till enheten, om enheten är påslagen och inom räckvidden för anslutning. I annat fall går headsetet till standbyläge och den blå lysdioden fortsätter att lysa. Under Bluetooth-sökning eller återanslutning stänger headsetet av Bluetooth automatiskt efter 5 minuter.

Laddning

Headsetet levereras med en USB Type-C-kabel som kan anslutas till en dator eller annan enhet för USB-laddning. Anslut USB typ C-änden på den medföljande USB-kabeln till USB C-uttaget under hörlurarnas högra öronkåpa, och anslut den andra änden till en USB-port på din dator eller en annan enhet som är avsedd för USB-laddning. Laddningslysdioden lyser rött under laddning. Den slocknar när laddningen är klar. Laddningstiden är två timmar med ett tomt batteri.

Headsetet har ett inbyggt litiumbatteri. Ladda det i minst 4 timmar innan första användningen.
(Rekommendation: använd inte en billaddare första gången.)

Aktivera aktiv brusreducering (ANC):

Tryck kort på ANC-knappen. "ANC on" ("ANC på") hörs. Den gröna lysdioden tänds.

Obs: Aktiv brusreducering kan även användas utan att något spelas upp. ANC-funktionen fungerar inte när jag svarar på ett samtal

Inaktivera aktiv brusreducering (ANC):

Tryck kort på ANC-knappen. "ANC off" ("ANC av") hörs. Den gröna lysdioden slocknar.

Låg latens aktiverad:

Tryck kort på ANC-knappen två gånger. "Low latency on" ("låg latens på") hörs.

I det här läget aktiveras en omärklig fördröjning för perfekt läppsynkronisering och snabbare svar när du spelar

Låg latens inaktiverad:

Tryck kort på ANC-knappen två gånger. "Low latency off" ("låg latens av") hörs.

Telefonsamtal

För att svara på ett inkommande samtal och för att avsluta ett samtal trycker du på strömknappen. Håll strömknappen intryckt i 1,5 sekund om du vill avvisa ett inkommande samtal.

Lyssna på musik

Anslut headsetet till en telefon eller kompatibel Bluetooth-enhet som har stöd för Bluetooth-profilen A2DP. Vilka musikfunktioner som finns tillgängliga beror på din Bluetooth-enhet. Om du tar emot eller ringer ett samtal när du lyssnar på musik pausas musiken tills samtalet har avslutats.

Koppla bort headsetet

För att koppla bort headsetet från din enhet stänger du av headsetet eller kopplar bort Bluetooth-funktionen på din Bluetooth-enhet.

Återansluta headsetet

Återanslut HPB-830 genom att hålla strömknappen intryckt i tre sekunder. HPB-730 slås på och ansluts automatiskt till den enhet som tidigare varit ansluten. "Connected" hörs när ihopparningen är klar.

Återställ till fabriksinställningarna.

1. Öppna Bluetooth-inställningsmenyn på telefonen. Markera "HPB-830" i listan över tillgängliga enheter och välj att glömma enheten.
2. Om din HPB-830 var påslagen börjar LED-lampan blinka blått/rött. Slå på din HPB-830 om den var avstängd. LED-lampan börjar blinka blått/rött (parkopplingsläge)
3. Tryck på och håll knapparna +/- nedtryckt i tio sekunder till LED-lampan blinkar rött tre gånger. Efter det stängs din HPB-830 av.
4. Fabriksåterställningen är nu slutförd.

Ansluta till appen Smart Life eller TUYA

1. Ladda ned appen genom att skanna QR-koden med mobiltelefonen eller sök efter "Smart Life" i din appbutik
2. Starta appen "Smart Life" eller till TUYA och registrera dig med ett nytt konto eller använd ett befintligt.
3. Fortsätt till steget "Add device" (Lägg till enhet) för att ställa in lösenordet.
4. Aktivera Bluetooth: närliggande enheter hittas baserat på signalstyrkan.
5. Tryck på den blå knappen "Add" ("lägg till") när bilden på HPB-830 visas.
6. Vänta på meddelandet "Connection" (Anslutning)
7. När enheten har lagts till visas "completed" (slutfört)
8. Enheten är nu ansluten.

Obs! Om din HPB-830 var ansluten till en annan enhet är det nödvändigt att utföra en fabriksåterställning. Detta är ett kran då den endast kan ansluta till ett tuya/smartlife-konto.

Följ instruktionerna "Återställ till fabriksinställningar" i den här bruksanvisningen.

APP



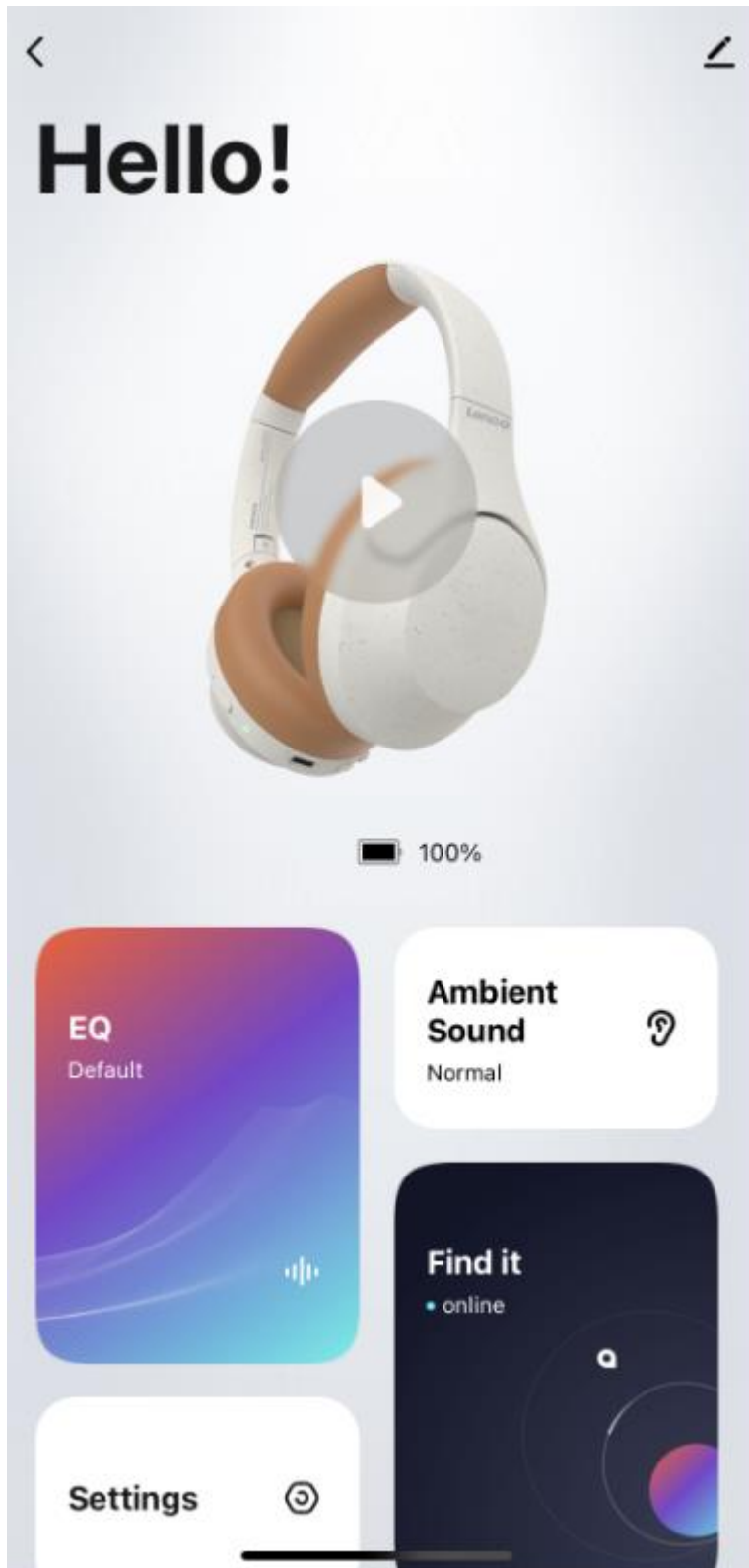
SMARTA KONTROLLER på användargränssnittet

- Tryck på hörlurens bilder för att justera volym och spår samt spela upp/pausa med intuitiva pekfunktioner.
- Klicka på "EQ Equalizer"

Anpassa ljudupplevelsen efter smak med ett urval av förinställningar och en intuitiv equalizer-funktion.

- Klicka på "Ambient sound" (Omgivningsljud) för att aktivera/inaktivera ANC
- Klicka på "Setting" (Inställningar) för att redigera Bluetooth-namnet
- Klicka på "Find it" (Hitta dem) för att förhindra att du tappar bort hörlurarna

OBS: När ANC är aktivt är equalizer-funktionen inaktiverad.



Bluetooth

Headsetet är kompatibelt med Bluetooth-specifikationen 5.3 och har stöd för följande profiler: Headset Profile (HSP), Handsfree Profile (HFP) Advanced Audio Distribution Profile (A2DP) och Audio Video Remote Control Profile (AVRCP).

Headsetet bör användas inom 15 meter från ljudenheten och det ska inte hinnas några hinder mellan dem, för att förhindra ljudproblem.

Specifikationer

Drivrutin	40 mm Neodymium
Impedans	32 Ω
Drivrutinens frekvensintervall	20 Hz–20 KHz
Hörlurarnas känslighet	98 dB \pm 3 dB vid 1 kHz
Intervall för brusreducering	JA (ANC)
Mikrofonens känslighet	-42 dB \pm 3 dB vid 1 kHz
Bluetooth-version	V5.3
Täckning för radiofrekvens	2,402 GHz–2,480 GHz
Överföringsintervall	\leq 15 m (utan hinder)
Statusindikering	Röd och blå lysdiod
Produkter som kan paras ihop	Bluetooth-dator med HSP, HFP, A2DP, AVRCP Bluetooth-protokoll, USB Bluetooth-adapter, Bluetooth-mobiltelefoner, etc...
Batteri	Uppladdningsbart litiumjonbatteri, 3,7 V, 400 mAh
Laddning	Datorns USB-gränssnitt/DC 5 V/500 mA-laddare
Laddningstid	2,5 timmar
Arbetstid	Upp till 60 timmar (utan ANC)
Standbytid	250 timmar
Vikt	240 g

GARANTI

Lenco erbjuder service och garanti i enlighet med europeisk lagstiftning, vilket innebär vid fall av reparationer (både under och efter garantins giltighetsperiod) ska du kontakta din lokala återförsäljare.

Viktigt: det går inte att skicka produkter som behöver repareras direkt till Lenco.

Viktigt: Om denna enhet öppnas eller görs åtkomlig av ett icke officiellt servicecenter på något sätt, utgår garantin.

Denna enhet är inte lämplig för yrkesmässig användning. Vid yrkesmässig användning, upphör samtliga garantier från tillverkaren att gälla.

ANSVARFRISKRIVNING

Uppdateringar av hård mjukvara och/eller hårdvarukomponenter görs regelbundet. Därmed kan vissa anvisningar, specifikationer och bilder i denna dokumentation skilja sig något från din särskilda situation. Alla artiklar beskrivna i denna guide är endast för illustration och kan inte tillämpas på någon speciell situation. Inga juridiska rättigheter eller anspråk kan erhållas från beskrivningen i denna manual.

KASSERING AV EN GAMMAL ENHET



Denna symbol anger att den relevanta elektriska produkten eller batteriet ska inte kasseras i det allmänna hushållsavfallet i Europa. När den korrekta avfallsbehandlingen för produkten och batteriet ska säkerställas, ska elektrisk utrustning eller batterier kasseras i enlighet med varje krav på tillämplig lokal lagstiftning. Genom detta handlande, bidrar du till att återvinna naturresurser och förbättra normer för miljöskydd och kassering av elektrisk avfall (elektrisk och elektronisk utrustning).

FÖRSÄKRAN OM EFTERLEVNAD

Härmed intygar Commaxx att radioutrustningen av typen [Lenco HPB-830] överensstämmer med direktiv 2014/53/EU. Den fullständiga texten gällande EU-försäkran om överensstämmelse finns på följande internetadress:

https://commaxx-certificates.com/doc/hpb-830_doc.pdf

RF-typ	Frekvensintervall (MHz)	Effekt (dBm)
Bluetooth	2402 – 2480	< 6

SERVICE

Besök support.lenco.com för mer information och support

Commaxx B.V. Wiebachstraat 37, 6466 NG Kerkrade, The Netherlands.