

ASSEMBLY AND INSTRUCTION MANUAL (EN)

mill®

Series: Convection

Please read the instructions carefully before use. Take good care of this manual for later use.

This assembly and instruction manual applies to the following products:

SG2000MEC, SG2000LED, SG2000GLASS

CE

Important safety information

You must obey common safety guidelines when using electrical products, especially in the presence of children.

WARNING! To avoid electric shock or damage due to the heat, always make sure the plug is pulled out before the heater is moved or cleaned.

Read the instructions carefully.

The product is intended for home use only.

Make sure the heater is connected to the house's regular mains (230 V), as it indicated on the heater.

New heaters will produce a specific odor when used the first time. This will stop after a short time and is completely harmless.

Check for any pieces of packing foam or cardboard that may have fallen into the heating elements of the heater. These pieces must be removed in order to avoid unpleasant odors.

Prevent the heater from overheating – **do not cover**.

Always turn off the heater and unplug it when not used for a long time.

Pay special attention if the heater is used in rooms where children, the handicapped or elderly reside.

The heater should not be set up directly beneath an electrical socket outlet.

The cord must not be laid under any kind of carpet. Make sure the cord is laid in such a way that nobody can trip on it.

The heater must not be used if either the cord or plug is damaged. The heater must not be used if it has been dropped on the floor or is damaged in any other way causing it to malfunction.

The cord must be repaired by the manufacturer or by an expert if it has been damaged, to avoid dangerous situations.

Avoid using extension cords, which may overheat and could possibly start a fire.

Never cover the air vents on the heater. Avoid potential fire hazards by making sure the air intakes are not blocked or covered. The heater should be used in rooms with normal flat floors.

The heater should not be installed in close proximity to flammable materials of any kind because there can always be a risk of fire.

The heater must never be used in rooms where gasoline, paint or other flammable liquids are stored, such as in a garage.

Never touch an electric heater with wet hands. The heater should be installed so a person showering or taking a bath cannot come into direct contact with it.

The heater becomes hot when it is on. Therefore, be careful and avoid burning or scorching your skin.

The heater must be switched off, the plug removed and the heater must cool down before it is moved.

Avoid overloading the mains (the circuit) where the heater is connected. The heater may overload the electrical circuit if other electrical devices are plugged into the same socket outlet.

The device cannot be used by children under 8 years of age and persons with reduced physical or mental abilities or lack of experience and knowledge unless they have been given supervision or instruction in the safe use of the device and understand the hazards involved.

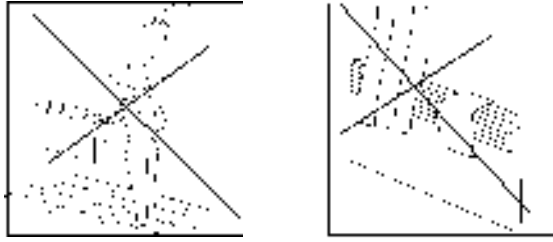
Children should not play with the device. Cleaning and maintenance should not be done by unsupervised children.

Children under the age of 3 should be kept away from the device, unless they are under constant supervision.

Children aged 3 to 8 years are only permitted to turn the device ON/OFF, assuming the device is mounted according to the assembly instructions and the children have received instruction or supervision in the safe use of the device and understand the hazards involved.

STORE THIS INSTRUCTION MANUAL FOR FUTURE USE!

NEVER TOUCH YOUR PANEL HEATER OR ITS CASING WITH WET HANDS!



Specifications

Model	Thermostat	Color	Amperage	Power (W)	Fan
SG2000MEC	Mechanical	White	~230 V / 50 Hz	2000	No
SG2000LED	Electronic	White	~230 V / 50 Hz	2000	Yes
SG2000GLASS	Electronic	White	~230 V / 50 Hz	2000	Yes

Before first use

After unpacking the heater, check to make sure the product was not damaged during transport. Contact the retailer or importer if you discover any visible damages to the product.

Keep the outer packaging to transport the heater in the future. If you want to dispose of the packaging, make sure it is done properly. Keep plastic bags away from children.

First use

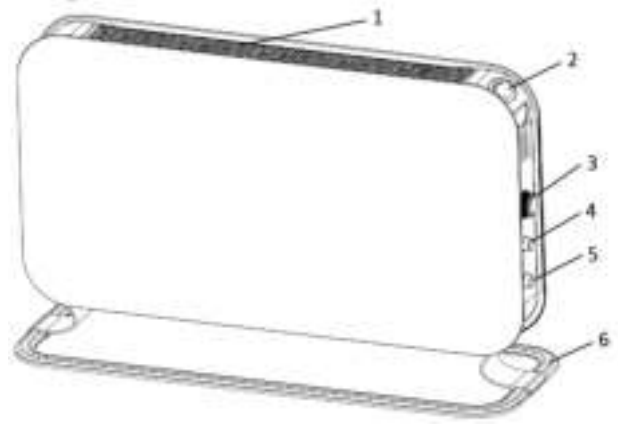
After turning on the heater for the first time or after an extended period without use, the heater can produce a burnt odor for a short time. This is normal.

Please read all the instructions carefully before use. Save the instruction manual for future use.

CAUTION! This heater is only designed to be used for supplementary heating, and as such must only be used under supervision.



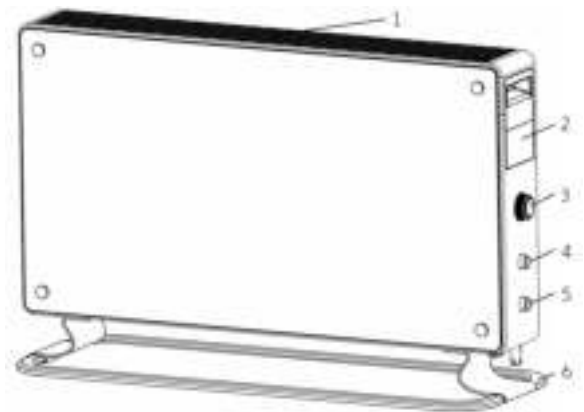
DO NOT COVER



Description of the heater

SG2000MEC

1. Heat emission
2. Thermostat
3. Output selector
4. Legs (plastic)



SG2000LED/SG2000GLASS

1. Heat emission
2. LED display
3. Thermostat + output selector
4. Fan
5. ON/OFF
6. Legs (aluminium)

Parts SG2000MEC

- 4 screws (pre-mounted)
- 2 foot brackets
- 2 rails for the feet



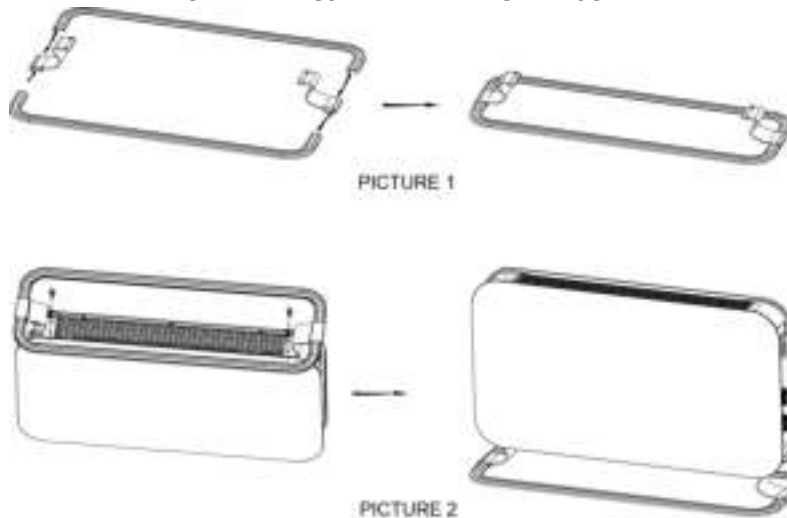
Parts SG2000LED/SG2000GLASS

- 8 screws (4 of which are pre-mounted)
- 2 foot brackets
- 2 rails for the feet



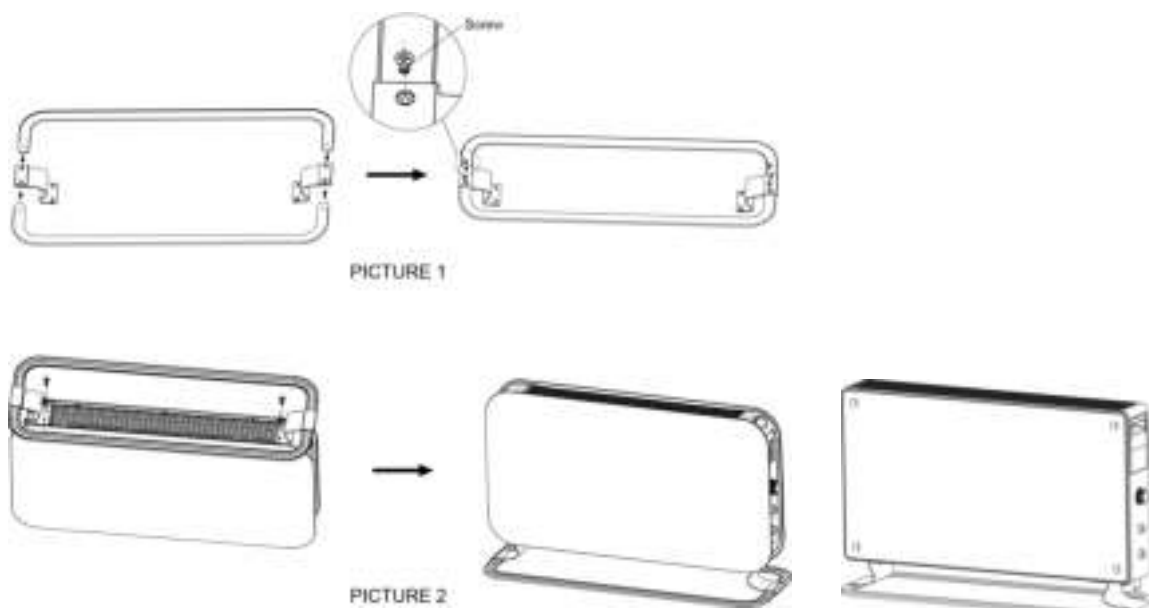
Assembly SG2000MEC

1. Insert both legs into the brackets so you get a stable foot (as shown in Picture 1 below).
2. Remove the pre-mounted screws from the bottom of the heater and place the heater gently on its head to mount the feet.
3. Two screws must be fastened on each foot bracket (as shown in Picture 2 below).
4. **NEVER USE THE HEATER BEFORE THE LEGS HAVE BEEN TIGHTLY SCREWED.**



Assembly SG2000LED/SG2000GLASS

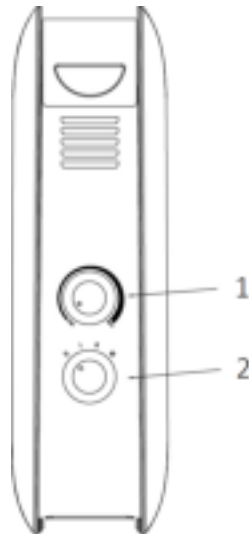
1. Insert both legs into the brackets so you get a stable foot (as shown in Picture 1 below).
2. Attach the legs to the brackets by tightening 2 screws into each bracket (see the picture below).
3. Remove the pre-mounted screws from the bottom of the heater and place the heater gently on its head to mount the feet.
4. Two screws must be fastened on each foot bracket (as shown in Picture 2 below).
5. **NEVER USE THE HEATER BEFORE THE LEGS HAVE BEEN TIGHTLY SCREWED.**



SG2000MEC – Instructions

CAUTION! This heater is only designed to be used for supplementary heating, and as such must only be used under supervision

Control panel for SG2000MEC



1. Thermostat. Adjust the desired heat setting

2. Output selector:

0: OFF

|: 750 W

||: 1250 W

|||: 2000 W

WARNING: Be sure the foot is fitted correctly and according to the instructions before using the heater!

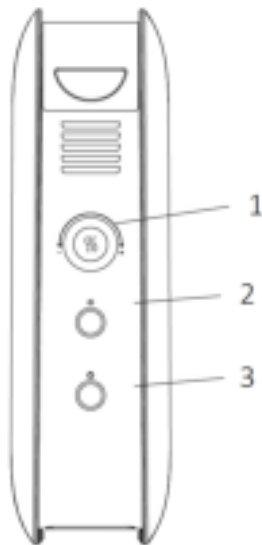
Use

1. Set the output selector to the OFF position (0) and the thermostat to minimum. Plug the heater into a grounded outlet.
2. Set the output selector to position |, || or |||. Turn the thermostat up to the maximum position. When the desired room temperature has been reached, turn the thermostat slowly down until you hear a click. The thermostat can now remain in this position until a different room temperature is desired. As soon as the room temperature falls below this level, the heater will automatically switch on again. When the room has again reached the desired temperature, the heater will switch off again.
3. If you wish to change the room temperature, repeat the instructions in step 2.
4. The heater has an overheat protection that turns the device off if any parts become extremely hot.
5. To switch the heater off, turn the output selector to the 0 position. If the heater will be left unused for a longer period of time, pull out the plug.

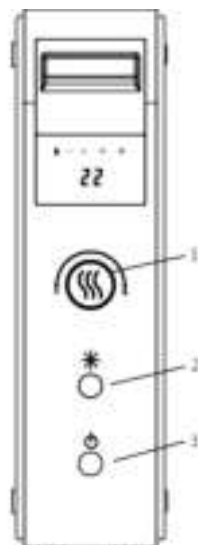
SG2000LED/SG2000GLASS – Instructions

CAUTION! This heater is only designed to be used for supplementary heating, and as such must only be used under supervision

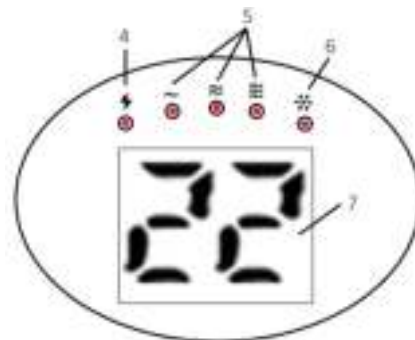
Control panel for SG2000LED/SG2000GLASS



SG2000LED



SG2000GLASS



Display SG2000LED



Display SG2000GLASS

1. Thermostat and output selector:

- i. Turn the selector to the left to decrease the temperature, and turn the selector to the right to increase the temperature.
- ii. Push the button to change the desired power level. 3 power levels: 750, 1250 and 2000 W.

2. Fan ON/OFF (see step 8 in the instructions on the next page for more information on its use)

3. ON/OFF button

4. Power indicator — Shows whether the heater is using power or not


5. Indicates the output level

6. Indicates whether the fan is activated

7. Desired room temperature



WARNING: Be sure the foot is fitted correctly and according to the instructions before using the heater!

Using SG2000LED/SG2000GLASS

1. Plug the heater into a grounded outlet.
 2. Press the ON/OFF button.
 3. Choose the desired power |, || or |||, by pressing the output selector. Turn the thermostat to the desired temperature while looking at the display. As soon as the room temperature drops below this level, the heater will automatically start again. When the room has reached the desired temperature again, the heater will turn itself off.
 4. The thermostat goes from 5 to 35°C.
 5. If you want to change the temperature in the room, repeat step 3.
 6. Press the Fan button to start the fan. **Note that the fan is only active when the heater is heating up** (when the power indicator is on).
 7. The heater has an overheat protection that turns the device off if any parts become extremely hot.
 8. If the temperature sensor is not functioning as it should,  will be shown on the display. In such instances, the heater will switch itself off. Please contact your distributor or importer.
 9. To turn off the heater, press the ON/OFF button. Should the heater be left unused for a longer period of time, pull out the plug.
-

Temperature calibration

*Should any deviations occur between the desired and actual temperature in the room, it can be easily adjusted (the heater should have been set to the same setting for at least 12 hours in order to be sure a calibration is necessary).

Press and hold for  5 seconds and use + or – to set the actual temperature observed in the room. Confirm with  or wait 15 seconds for automatic confirmation.

Maintenance

- 1) For cleaning, always unplug the heater and leave it to cool.
- 2) Wipe the heater regularly with a damp cloth and dry the surface before turning on the heater again.
- 3) The heater must be cleaned at least once a month during the heating season.

CAUTION! The heater should never be immersed in water.

Avoid using detergents to clean the heater.


Never let any water get inside the heater; this can be hazardous.

- 4) Dust etc. should be removed with a soft cloth.
- 5) The heater can be stored in a dry and clean place.
- 6) If the heater stops working, do not attempt to repair it yourself because it can cause a fire hazard and/or electric shock.

Warranty

The warranty is valid for 2 years. The heater will be repaired or replaced during this time should any malfunction occur. The warranty applies if the heater is used according to these instructions and the customer can present a purchase receipt. If the heater malfunctions in any way, please contact the store where it was purchased or the importer.

Waste disposal

The symbol  indicates that this product is not to be disposed of together with household waste. This product must be delivered to a recycling service or container for electrical appliances and electronic equipment. This is done to avoid health risks and prevent harm to the environment. Local businesses (or the environmental station in your neighborhood) are required by law to accept and recycle such products, as a means of environmentally sound disposal.



Mill International AS

Grini Næringspark 12

1361 Osteras

Tel.: +47 22 13 32 00

www.millheat.com

mill