



# KLARSTEIN

Chal-Tec GmbH  
Wallstraße 16,  
10179 Berlin, Germany  
WEEE-Nr.: DE 46906833

Importer for Great Britain:  
Berlin Brands Group UK Ltd  
PO Box 1145  
Oxford, OX1 9UW  
United Kingdom

Item-Nr.: 10034554  
Description: MINIBAR FRIDGE

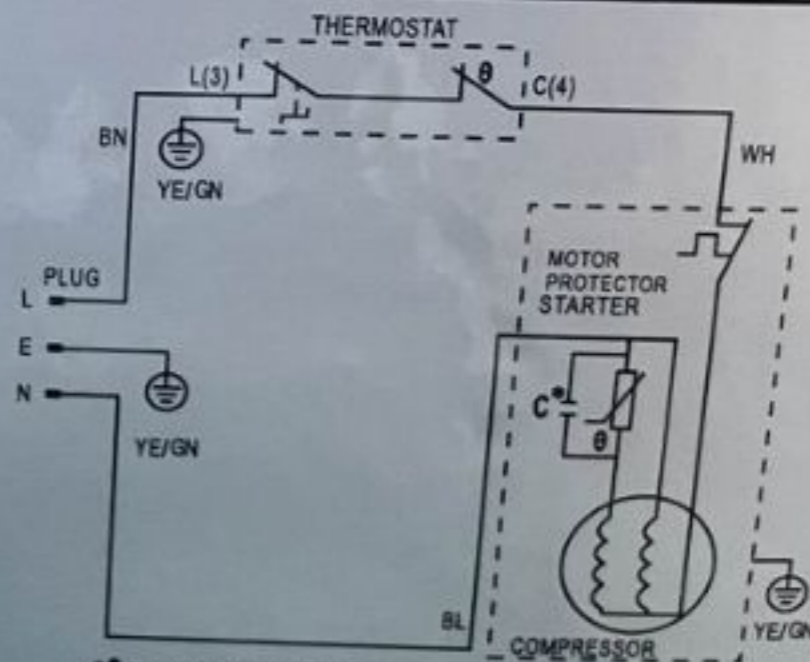


### Specifications:

Voltage/ Frequency: 220-240V~/50Hz  
Current: 0.55A  
Power: 90W  
Climate Class: N,ST  
Storage Volume: 75L  
Refrigerant (Weight): R600a(21g)  
Foaming Gas: CYCLOPENTANE



1003455409823050030



C\*. The capacitor is optional according to different compressor model