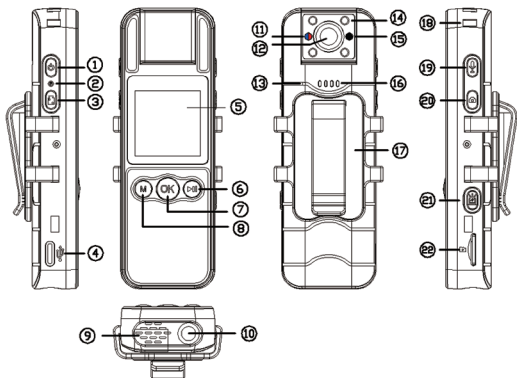


# 使用说明书



## 一、产品功能示意图：



1,开关机键 2,复位键 3,录像键/返回键 4,USB插口 5,彩屏  
6,相册键/下翻键/删除键 7,确认键 8,菜单键/上翻键 9,扬声器  
10,螺母位置 11,警报灯 12,镜头 13,麦克风 14,红外夜视灯  
15,光敏感应灯 16,指示灯 17,背夹 18,挂绳孔 19,录音键 20,拍照键  
21,警报灯按键 22,TF卡座

## 二、产品简介：

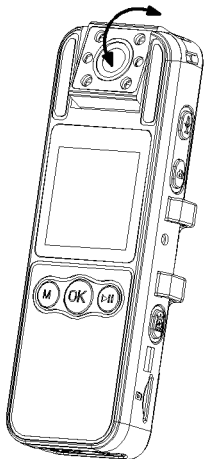
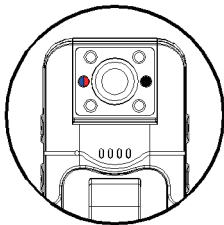
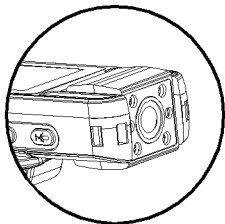
本产品是一款具有高清彩屏数码摄像、拍照、录音，夜视红外灯，警报灯，一键录像，一键录音多功能的记录仪，支持外插TF卡，具有操作简便，小巧精致，美观实用，便于携带的特点，是会议，学习，交通执法，旅游、骑行，生活等的实用工具，实时记录生活中的每一个难忘的瞬间，光滑优雅的设计对大众都适用，深受广大用户青睐。

### 三、TF卡要求：

本产品只支持FAT格式的卡.32G内存卡属于FAT格式的可以直接读取,首次使用32GB 以上的内存卡机器上会提示SD格式化进行中.建议使用32GB以上卡时,卡内不要有其它资料,以免丢失资料。

### 四、镜头旋转操作：

1, 此产品摄像头可旋转180度,可根据需要调整角度如果下图。



## 五、DV操作说明：

### A) 开机/录像/拍照/录音/警报灯

长按开关机键约3秒，绿灯长亮，语音提示，进入待机。

- 1, 录像:短按录像键一次,声音提示一次,红灯慢闪开始录像,如要停止录像,短按录像键一次,语音提示,绿灯长亮停止录像并保存视频。
- 2, 拍照:在待机状态下短按拍照键,声音提示一次,红灯闪烁一次完成一张照片并保存。
- 3, 录音:在待机状态下短按录音键,声音提示一次,黄灯慢闪,开始录音,显示屏会显示录音时间
- 4, 警报灯:短按报警键一次,红蓝灯交替闪烁并带报警声音,短按一次关闭声音,再按一次关灯
- 5, 一键录像:在关机状态下长按录像键可以自动录像。  
一键录音:在关机状态下长按录音键可以自动录音。
- 6, 手动夜视:在待机模式下长按拍照键可手动开启夜视功能。
- 7, OTG; 本机支持OTG功能
- 8, 抓拍:在录像中可以按拍照键进行抓拍,图片保存在相册里。

**注意:**1. 在使用前,请先插内存卡。

2. 在取卡时先关机,避免数据丢失或损坏设备和TF卡。

### B) 复位

如果设备在正常情况下不能工作,死机,无法摄像时,请短按按复位键复位。

### C) 连接电脑:

设备利用USB线连接电脑,电脑弹出可移动磁盘即可对SD卡进行操作。如连接不上,请检查线是否插好,或更换新的USB线即可。

#### D) 充电：

连接电脑USB接口或充电器，即可对本机进行充电，当电池处于充电状态时，蓝灯常亮，当电池充满电后，蓝灯熄灭；

注意：1、如果设备不能开机或者是开机之后关机，需要充电。

2、为了更好的保护好产品和更快的充满电，请在关机的模式下充电。

E)设备可以插电边充边录功能，可以循环录像。

#### 六、相关参数：

项 目	相关参数
视频格式	MOV
视频分辨率	1920*1080
视频帧率	30FPS
播放软件	操作系统自带或主流影音播放软件
图片格式	JPG
像 素	3264*2448像素(可选择)
影像比例	16:9
支持系统	Win7/WinMe/WinXP/Win2000/Vista/Mac Os10.5
充电电压	DC-5V
接口类型	type-c
存储支持	MicroSD (TF), 最大支持256G
电池类型	锂电池

## 七、注意事项:

**使用场合:**请严格遵守国家相关法令,不得将此产品用于任何非法用途,否则后果自负。

**关于电池:**随着使用时间增长,电池工作时间会有所缩短。长久未使用,请在使用前先充满电。

**文件安全:**本产品非专业存储设备,不保证内部存储文件的完整性和安全性,请即时在电脑或者其他存储设备上备份您的重要文件。

**摄录品质:**本产品非专业摄录设备,不保证所摄录文件的效果能达到您的期望。

**工作温度:**-5°C—40°C。

**工作湿度:**20%—80%,请勿将产品置于潮湿的工作环境,产品不具备防水功能。

**拍摄照度:**请在光线充足的环境下使用,请勿将摄像头直接对着太阳等强光源,以免光学器件受到损伤。

**保洁要求:**请勿在粉尘密度过大的环境下使用,以免镜头以及其他部件沾染粉尘,影响摄像效果。镜头可以用擦镜纸或眼镜布轻轻擦拭,保持洁净。

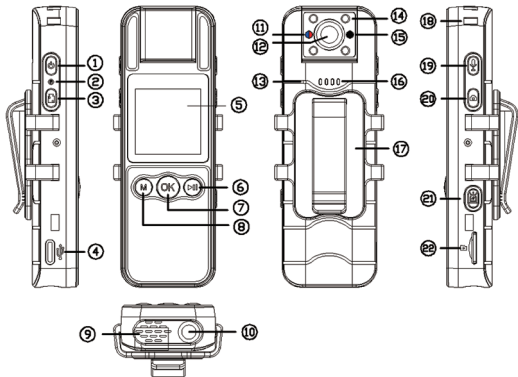
**其他事项:**该产品属于精密电子产品,请勿使其受到强烈冲击、震动;请勿在强磁场、强电场下使用。

**补充说明:**其他未明事宜请与当地经销商联系。

# Instruction manual



## One. Product function diagram:



- 1.Power button 2.Reset button 3.Video recording / return button  
4.USB port 5.Color screen 6.Album / down /delete button  
7.Confirm button 8.Menu/up button 9. Speaker 10.Stud location  
11.Alarm light 12.Lens 13.MIC 14.Infrared night vision light  
15.Sensitive light 16. Indicator light 17.Back Splint 18.Lanyard hole  
19.Audio recording button 20.Photo button 21.Alarm light button  
22.TF slot

## Two. Product introduction:

This product is a multi-functional color screen digital camera with high-definition digital camera, photo, recording, alarm light, one key video recording, one key voice recording functions and supports external TF card. It is easy to operate, small and exquisite, beautiful and practical, and easy to carry. A practical tool for meetings, study, traffic law enforcement, travel, cycling, life, etc., recording every unforgettable moment in life in real time, the smooth and elegant design is suitable for the public and is favored by the majority of users.

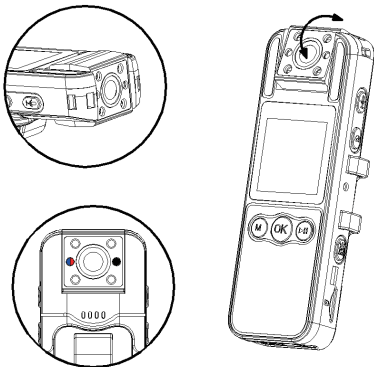


### Three. TF card requirements:

This product only supports memory cards in FAT format. 32G memory card belongs to FAT format can be directly read. For the first time using memory card above 32GB, the machine will prompt that memory card is being formatted. It is recommended that when using more than 32GB memory card, there should be no other data in the card to avoid loss of data.

### Four. Lens rotation operation:

This product camera can rotate 180 degrees, can adjust the angle as needed as below.



### Five. DV operating instructions:

#### A) Power on/video/photo/audio/Alarm light

Long press the power button for about 3 seconds, the green light will be on with voice prompts, and enter standby.

1. Video recording: short press the video button once, the voice prompts once, the red light flashes slowly to record, if you want to stop the record, short press the video button once, the voice prompts, the green light stays on to stop the record and save the video.
2. Take a photo: short press the photo button in standby mode, the voice prompts once, and the red light flashes once to complete a photo and save it.
3. Audio Recording: short press the audio button in the standby state, the voice prompts once, the yellow light flashes slowly, and the audio recording starts. The display screen will show the recording time.
4. Alarm light: short press the alarm button once, the red and blue lights flash alternately with an alarm sound, short press once to turn off the sound, and short press again to turn off the alarm light.
5. One-key video recording: in the shutdown state, long press the video key to automatically record.  
One-key audio recording: in the shutdown state, long press the audio recording key to automatically record
6. Manual night vision: Long press the photo button in the standby mode to manually turn on the night vision function.
7. OTG: this machine supports the OTG function
8. Capture: You can press the photo button when video recording, picture will be stored in the album.

**Note:**

1. Before use, please insert the memory card first.
2. Shut down the card first when taking the card to avoid data loss or damage to the equipment and TF card.

**B) Reset**

If the device does not work under normal circumstances, freezes or cannot record, please short press the reset button to reset.

### C) Connect the computer:

The device is connected to the computer with a USB cable, and the computer can pop up the removable disk to operate the SD card.

If it cannot be connected, please check whether the cable is plugged in properly, or replace it with a new USB cable.

### D) Charging:

Connect to the computer USB interface or charger to charge the machine. When the battery is in charging state, the blue light is always on, and when the battery is fully charged, the blue light is off;

Note: 1. If the device cannot be turned on or is turned off after being turned on, it needs to be charged.

2. In order to better protect the product and fully charge it faster, please charge it in the shutdown state.

E)The device support charging while recording, and can record in a loop.

## Six. related parameters:

Item	Related parameters
Video format	MOV
Video resolution	1920*1080
Video frame rate	30FPS
playback software	Operating system built-in or mainstream audio and video playback software
Image Format	JPG
Pixel	3264*2448pixels (Optional)
Image ratio	16:9
Support system	Win7/WinMe/WinXP/Win2000/Vista/Mac Os10.5
Charging voltage	DC-5V
Interface Type	Type-c
Storage support	MicroSD (TF), up to 256G
Battery Type	Lithium battery

## Seven. Precautions:

**Use occasions:** Please strictly abide by the relevant laws and regulations of the state, and do not use this product for any illegal purpose, otherwise you will be responsible for the consequences.

**About the battery:** As the usage time increases, the battery working time will be shortened. If it has not been used for a long time, please fully charge it before use.

**File security:** This product is not a professional storage device and does not guarantee the integrity and security of the internal storage files. Please backup your important files on your computer or other storage devices immediately.

**Recording quality:** This product is not a professional recording equipment, and does not guarantee that the effect of the recorded files can meet your expectations.

**Working temperature:** -5°C—40°C.

**Working humidity:** 20%-80%, do not put the product in a humid working environment, the product does not have waterproof function.

**Photography Illumination:** Please use it in a well-lit environment. Do not point the camera directly at a strong light source such as the sun to avoid damage to the optical components.

**Cleaning requirements:** Do not use it in an environment with excessive dust density, so as to prevent the lens and other parts from being contaminated with dust, Affect the camera effect. The lens can be gently wiped with lens tissue or lens cloth to keep it clean.

**Other matters:** This product is a precision electronic product, please do not subject it to strong shock and vibration; please do not use it under strong magnetic field and electric field.

**Supplementary Note:** For other unspecified matters, please contact your local dealer.