

# Thermoelectric cooler

Model No.:	S8-GD
Rated Voltage:	220-240V ~
Rated Frequency:	50/60Hz
Rated Power:	45W
Volume:	23L
Protection Type:	I
Climate Type:	SN, N
Blowing Gas:	C-PENTANE
Lamp Power:	0.6W
Refrigerant:	R600a
Refri.Charge:	39g

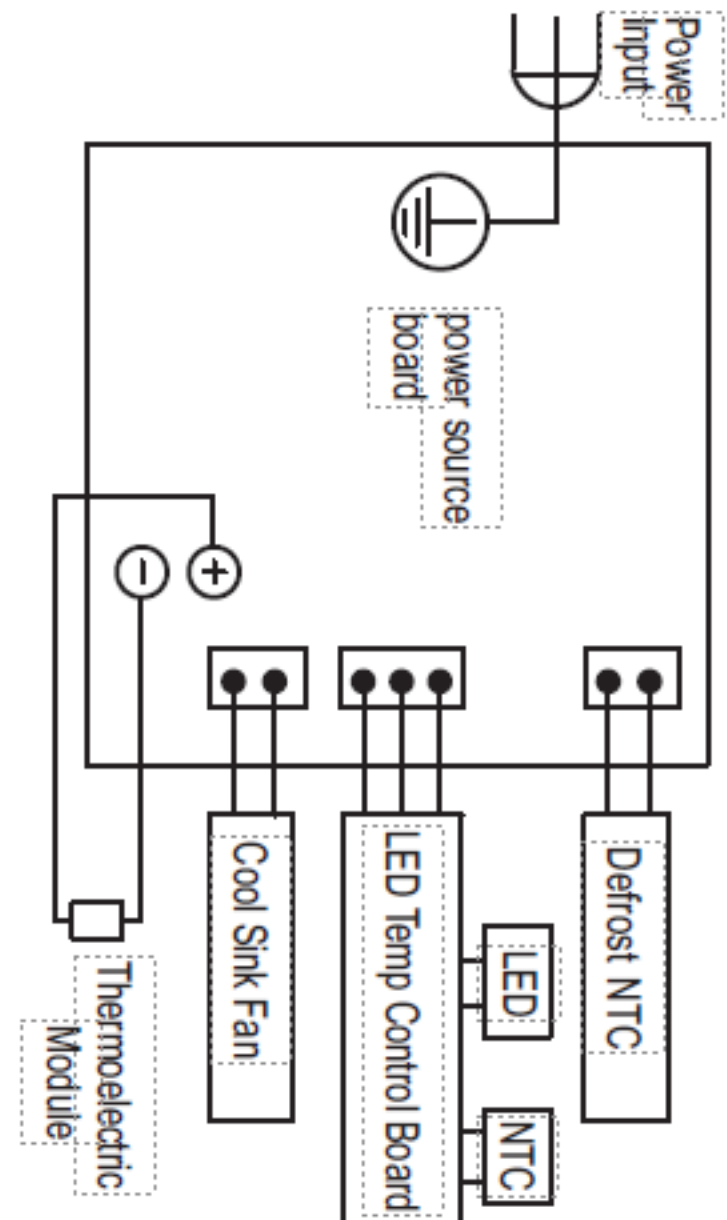
Production

Date:

Production

No.:

ISO9001:2015



Electrocircuit Line Diagram