

## Verbatim LED Downlight 135mm 15W 3000K 1200lm

- Energy saving alternative to CFL downlights
- 40,000 hours lifetime
- Direct mains voltage connection (220-240V)
- Light output of 1200lm
- 3000K warm white light

Product Number	52445
<b>General Data</b>	
Installation Type	Recessed
Housing material	Aluminum / Polycarbonate Cover
Housing colour	White
Protection class	IP20
Dimmable	no
<b>Geometric Data</b>	
Length (mm)	53
Outer diameter (mm)	135
Inner diameter (mm)	125
Weight (g)	286
<b>Electric Data</b>	
Wattage (W)	15
Voltage (V)	220-240
Current (mA)	75
Power Factor	0.9
Operating Frequency (Hz)	50/60
Safety Class	Class II
Power supply	External
<b>Photometric Data</b>	
Luminous Flux (lm)	1200
CRI	80
CCT (K)	3000
Luminous Efficacy (lm/W)	80.0
Luminous Intensity (cd)	710
<b>Lifespan</b>	
Lifetime (hrs)	40,000
Switching Cycle	100,000
<b>Mechanical Parameters</b>	
Glow wire test	650°C

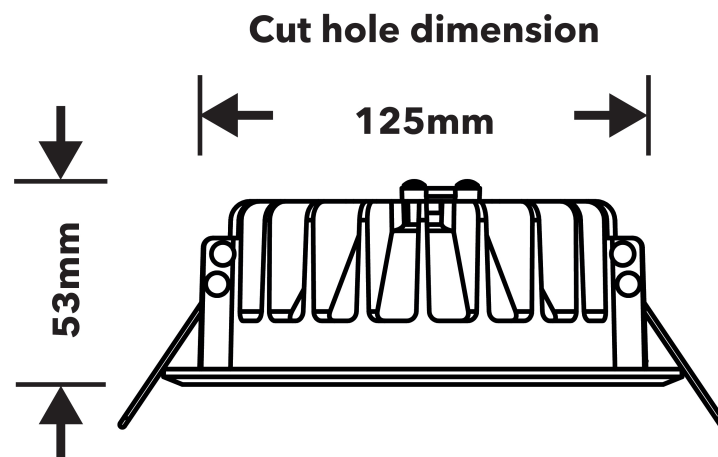


19/11/2015

## Lifestyle image




## Technical Drawings

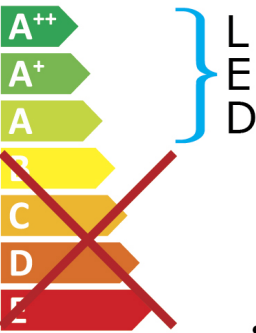


19/11/2015


### Energy Rating



This luminaire contains built-in LED lamps.



LED



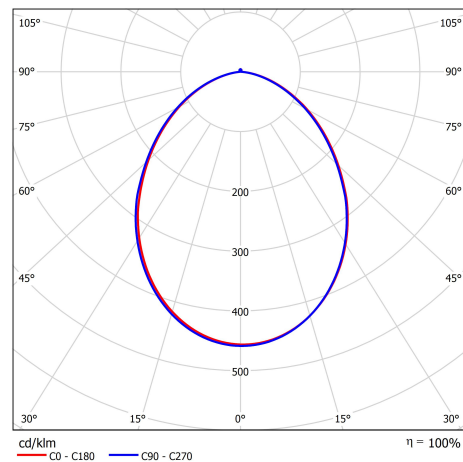
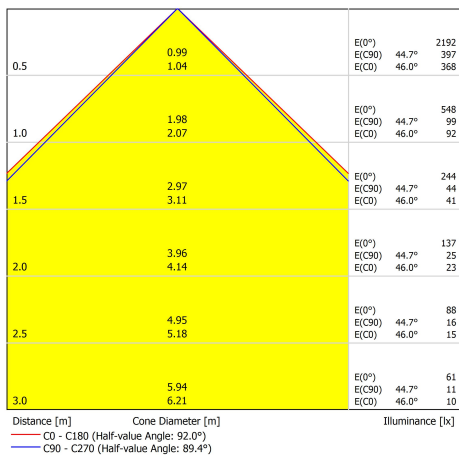
The lamps cannot be changed in the luminaire.

Verbatim 52445
874/2012

### Technical Packaging Details

<b>Barcode</b>	23942524458
<b>EAN 128</b>	(02)00023942524458(37)04(91)204
<b>EAN 14</b>	50023942524453
<b>Pack Dimensions (HxWxL)</b>	104 x 140 x 140 (mm)
<b>Pack Weight</b>	490 (g)
<b>MOQ</b>	4
<b>Carton Dimensions (HxWxL)</b>	223 x 148 x 295 (mm)
<b>Cartons/Pallet</b>	68
<b>Layers/Pallet</b>	4
<b>Units/Pallet</b>	272

### Photometric Diagrams



19/11/2015