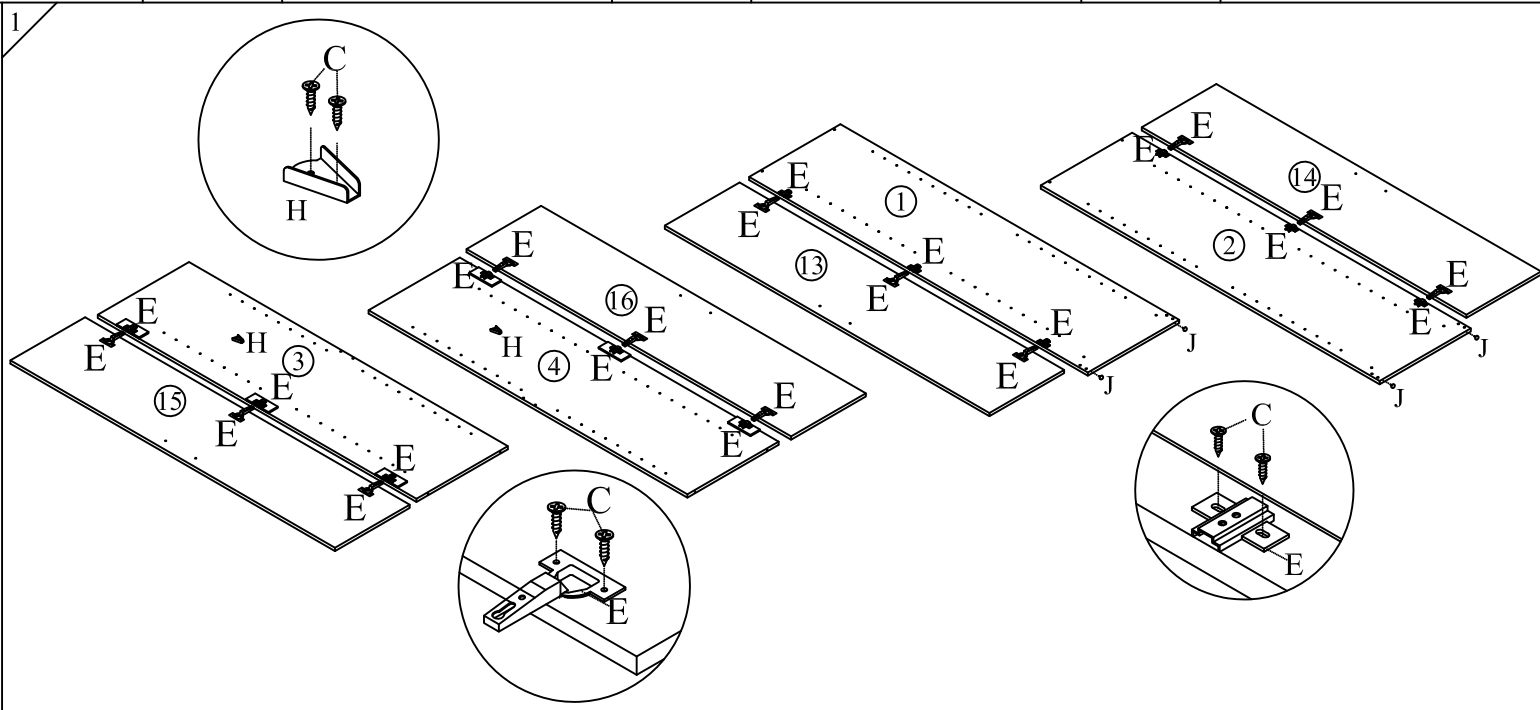
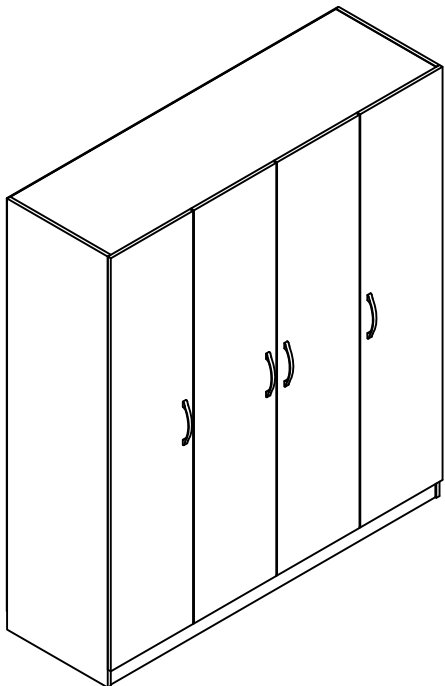
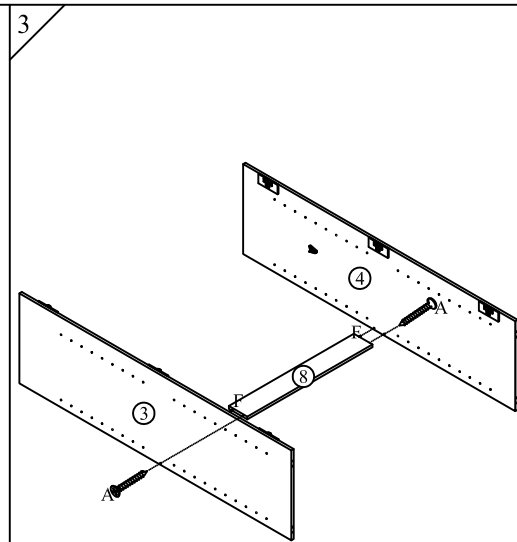
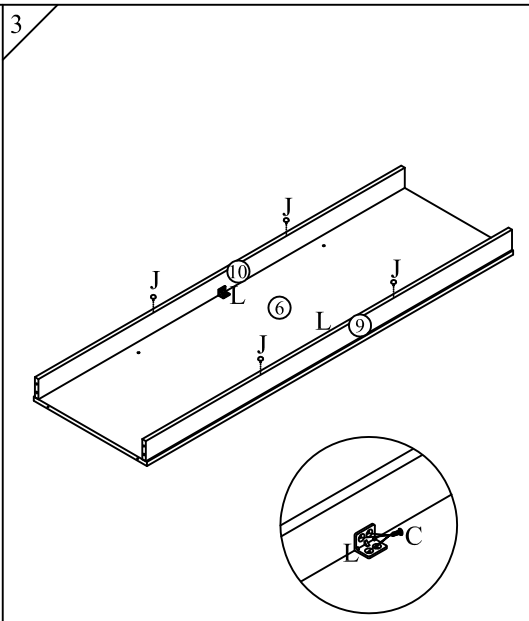
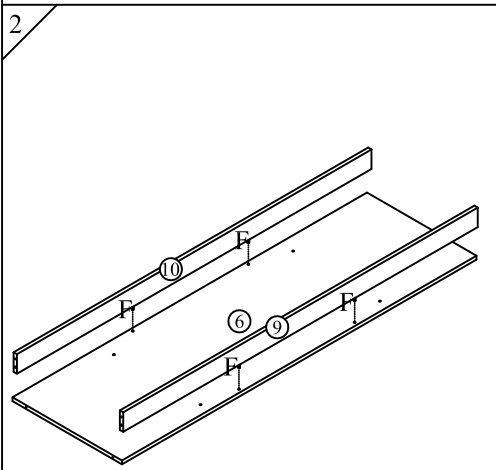


Model	DN WAR 400 700	Issue Date	28 - 01 - 2014	Draw By	WILSON NG	Approved By / Date	
Form No	DN - F - 47	Revision	WAR 1.0	Checked By	CK TAY	Sheet	01 / 02
Description	Assembly Instructions						



A		M4 x 45mm CSK SCREW	22
B		M4 x 25mm CSK SCREW	8
C		M3.5 x 12 CSK SCREW	60
D		PVC HANDLE BRAZIL 160	4
E		95A HINGES	12
F		WOOD DOWEL 6 x 25mm	26
G		PIPE 772mm	1
H		V - BRACKET	2
I		PVC SHELF SUPPORT	36
J		PVC NAIL	8
K		NAIL	88
L		L - BRACKET	2



Model	DN WAR 400 700	Issue Date	28 - 01 - 2014	Draw By	WILSON NG	Approved By / Date	
Form No	DN - F - 47	Revision	WAR 1.0	Checked By	CK TAY	Sheet	02 / 02
Description	Assembly Instructions						

