

# Calisto 3200/5200

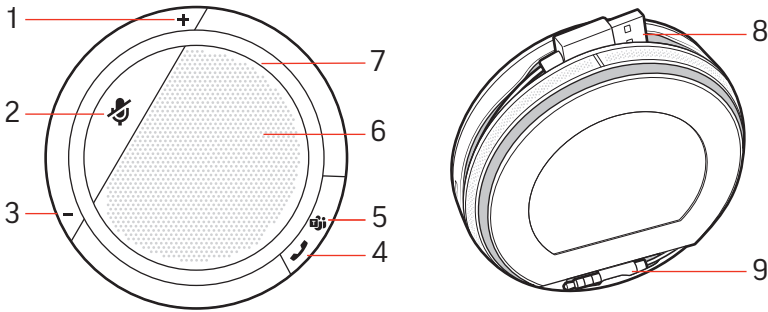
## Corded Speakerphone

User Guide

# Contents

Overview	3
Connect speakerphone	4
Daily Use	5
Power	5
Answer or end a call	5
Mute/Unmute	5
Volume	5
Microsoft Teams button (Teams models only)	5
Music	5
Audio mixing	5
Support	6

# Overview

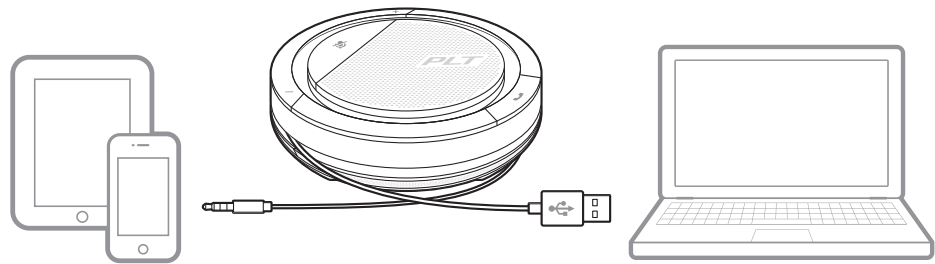


- 1 Volume up
- 2 Mute
- 3 Volume down
- 4 Call button
- 5 Microsoft Teams (Teams model only, app required)

- 6 Speaker
- 7 Indicator light
- 8 USB cord
- 9 3.5mm cord (Calisto 5200 model only)

# Connect speakerphone

Connect the speakerphone to your computer using the USB cable. Connect the speakerphone to your tablet or mobile phone using the 3.5 mm cable (Calisto 5200 model only). Use the speakerphone to play music or call audio.



# Daily Use

## Power

**Plug the USB cable into your computer.** The indicator light on the speakerphone will illuminate white and remain on while connected to the power supply.


**Plug the 3.5 mm cable into your tablet or mobile device.**

**NOTE** *The table refers to the Calisto 5200 model only, there is no battery in the Calisto 3200.*


Status	Talk time	Indicator
Battery high	Greater than 12 hours	"Battery high"
Battery medium	Less than 12 hours, greater than 2 hours	"Battery medium"
Battery low	Less than 2 hours, greater than 30 minutes	"Battery low" played at less than 2 hours talk time
Battery critical	Equal to or less than 30 minutes	30 minutes, "Battery low" repeated every 15 minutes 10 minutes, "Battery low" repeated every 5 minutes 0 minutes "Power off" played once

**Important:** If the speakerphone does not automatically power on when plugged in, press and hold the call and mute buttons for 4 seconds to manually power on the speakerphone. Repeating this process will power off the device.

## Answer or end a call

Press the Call  button to answer or end a call.


## Mute/Unmute

During an active call, press the Mute  button to mute or unmute the microphones. Manage mute settings in Plantronics Hub.

## Volume

Press the Volume up (+) or down (-) buttons to increase or decrease volume.

## Microsoft Teams button (Teams models only)

Press the Teams  button to interact with Microsoft Teams when not on a call.

**NOTE** *The Microsoft Teams app must be installed.*

## Music

For a better listening experience with the 3.5mm connector (Calisto 5200 model only), put the speakerphone in music mode by pressing and holding the mute button for 4 seconds. Turn off music mode before making or receiving calls by tapping the mute button.

## Audio mixing

To mix a USB and 3.5mm call a USB or 3.5mm call must be active. Plug in the other connection to a separate device. Audio will mix and sync, similar to a 3-way call.

# Support

## NEED MORE HELP?

[poly.com/support](https://poly.com/support)

**Plantronics, Inc.**

345 Encinal Street  
Santa Cruz, CA 95060  
United States

**Plantronics B.V.**

Scorpius 171  
2132 LR Hoofddorp  
Netherlands

© 2020 Plantronics, Inc. All rights reserved. Poly, the propeller design, and the Poly logo are trademarks of Plantronics, Inc. All other trademarks are the property of their respective owners. Manufactured by Plantronics, Inc.

212877-06 09.20