



YLI ELECTRONIC

# Auto-door remote controller

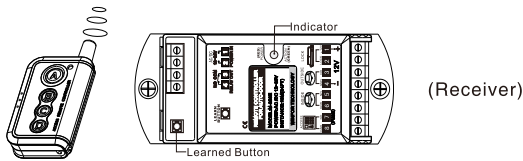
## Model: YAD-144FS



### 1 Security Instruction

Thanks so much for your purchasing, Please refer to the following before using .

### 2 Product Overview

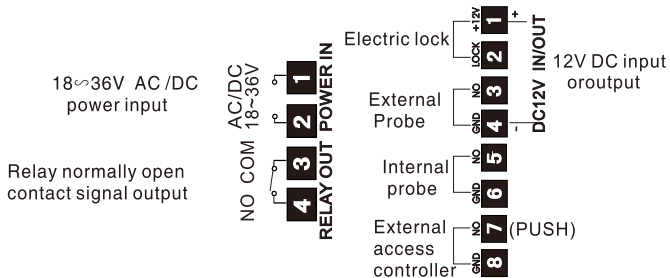


- This product is with the function of coding self-learn. Make sure the code of remote transmitter has been learned into the receiver before using (16 kinds of codes can be learned)
- Operation way: Press the learned button for 1S, indicator turns green. Press any key of the remote transmitter. The transmitter has been learned by the receiver successfully with two flashes of green light appears.
- Delete method: Press the learn button for 5S, green light flashing, all the codes has been deleted successfully( Can not delete one by one)
- Press the remote control A key(Full lock): All probe and access controller are lose effectiveness. electric lock locked automatically. People inside and outside can not enter in. Be used for preventing thieves at night or on holidays periods.
- Press the remote control B key(Unidirectional): External probe is lose effectiveness and electric lock locked automatically while external access controller and internal probe are available. Only insider can get in by swiping card. Internal probe is effective, people can get out. Be used for clearing up a gathering place.
- Press the remote control C key(Full open): Under M type working, press remote to open door for 5S and get back to standby mode. Press remote for 3S. All sensor and access controller are lose effectiveness. Door keeps fully open. For emergency using.
- Press the remote control D key(Bi-directional): Internal and external probes are effective. Working hours with normal business.

### 3 The overall characteristic

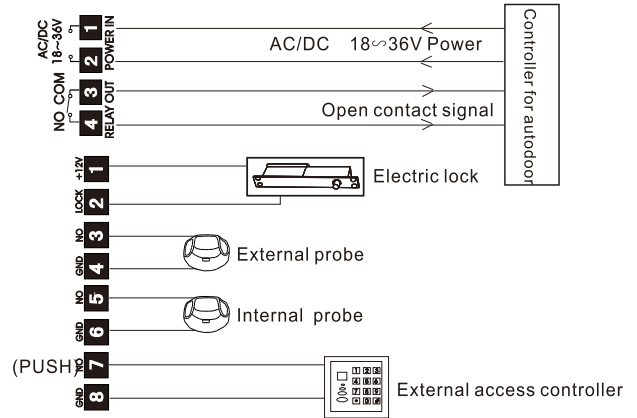
- High-current electric lock output module.
- DC/AC 12V~36V power input and convenient to take power from sliding door units.
- Delicate shell design, easy-to-fixed, compact and small size.
- Built-in surge absorber to prevent the return spark of electric lock.
- Remote transmitter with 4 keys to carry out the 4 operations of auto-door.
- All induction gated signal unified into the Extender which outputs the signal to auto-door and electric locks. With time difference setting to ensure the auto-door runs automatically.
- Using remote controller to switch function, validity action confirms by voice indicator.

### 4 The definition of input and output

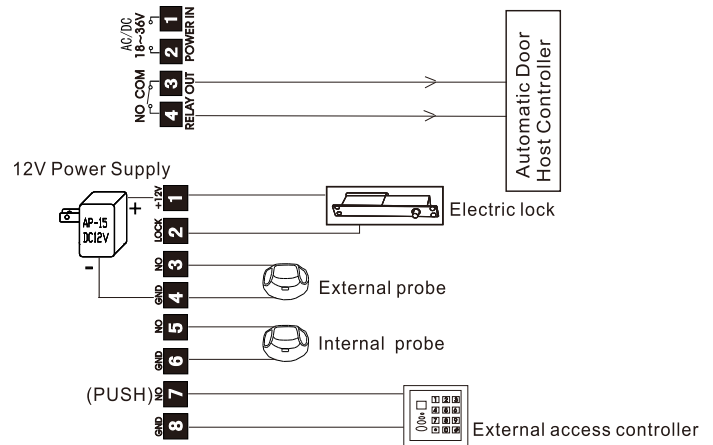


- ① Notes: The system is with memory function in case of power-down.
- ② The input signal for access controller should be passive contact signal, or input PUSH signal directly.

### 5 Wiring Diagram



#### Getting power supply of AC/DC24V from Autodoor Unit



#### DC12V Power Supply for Auto-door Remote Controller

External and Internal probe should not get power from this extender directly. Can be connect with terminal of auto-door (which for probes)

This product made according to the factory sequence, under one-year warranty.

Except for the human-facor destory.

### 6 Specific Note:

- The power input can be taken from the auto-door control unit of AC/DC12~36V, or AC/DC 12V should be supplied to ensure enough capacity for running.
- DC12V power input should connect with 1and4 terminals.
- Actual output current of DC REGULATOR must be greater then the action current of electric lock.
- The deeper installation place is , the weaker indicator voice is.

### 7 The technology parameter

Power supply: AC/DC 12~36V

Current of electric lock: 3A(12V)

Static Power: 35mA

Action current: 85mA(Non-current electric lock)

The interval time to open lock and auto-door: 0.5s

Professional appliance: Built-in surge absorber

Transmitting and receiving method: Microwave level with a roller code

Remote control battery using life : ≥18000 times

Working environment temperature: -42℃~45℃

Working environment humidity: 10~90%RH

Appearance dimension: 123(L)x50(W)x32(H)mm

The total weight: 170g