

## Ready to take off

use the second half of the fuselage to push the throttle, parallel to the direction of the aircraft against the wind thrown into the air, not to tilt the aircraft (see Figure 3).

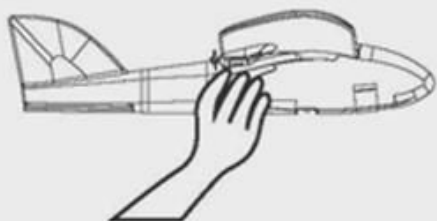
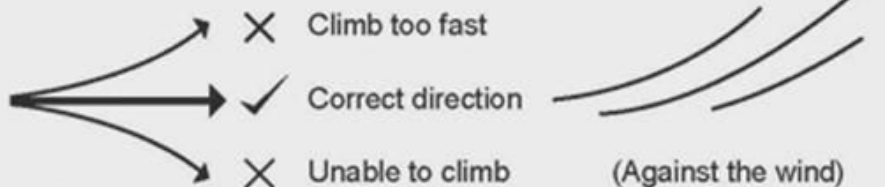
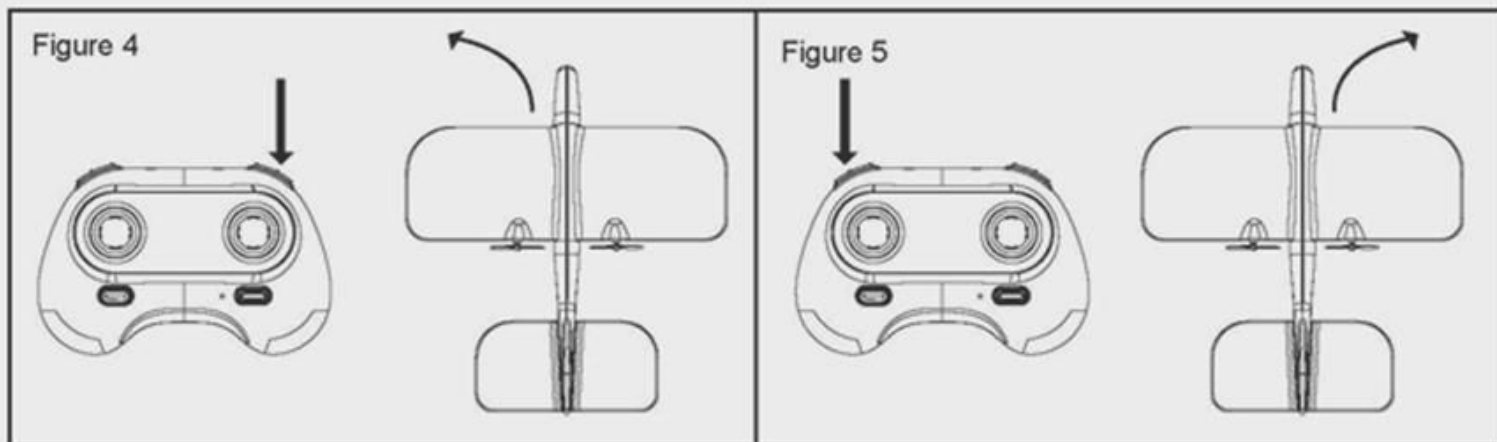


Figure 3



## Yaw adjustment

When the plane is flying in the air, if the aircraft rotates to the left, then light right fine tune (Figure 4) until smooth; if the aircraft rotates to the right, then light left fine tune (Figure 5), until smooth.



## Adjust the flight state of the aircraft by adjusting the fuselage

The flight state of the aircraft can be adjusted by bending the tail of the aircraft. When bending, it is necessary to press the bending part with fingers to avoid breaking. When the plane is not easy to take off, turn the tail up (see Fig. 6). When the plane climbs too fast, bend the tail of the aircraft (Fig. 7).