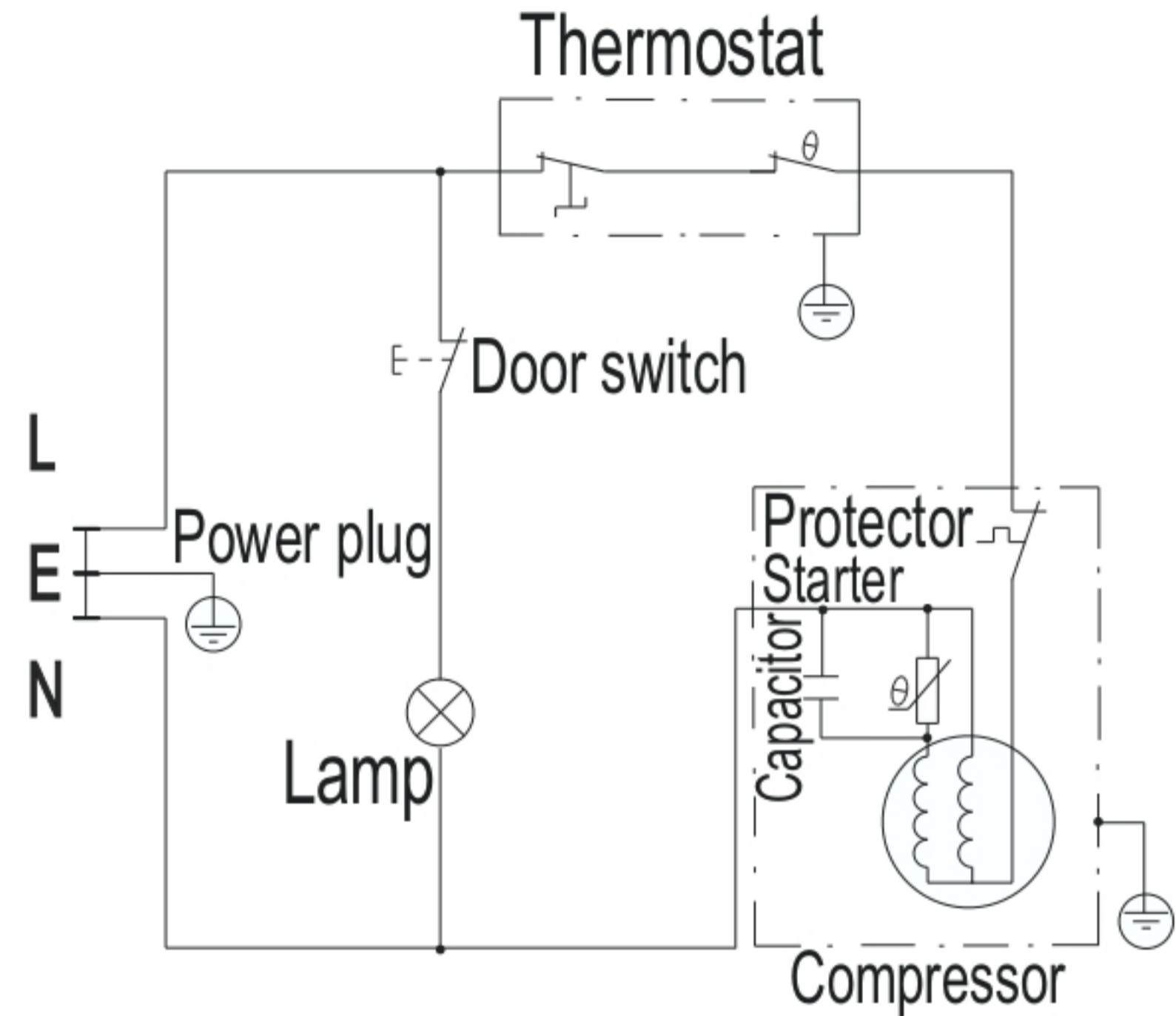


HYUNDAI

Refrigerator

Model:	HY-RFG881W-001
Climatic class:	N/ST
Total compartment volume:	88L
Fresh food compartment volume:	88L
Safety protection class:	I
Rated voltage:	220-240V~
Rated frequency:	50Hz
Lamp power:	2W
Rated current:	0.6A
Energy consumption E16:	0.124kWh/24h
Energy consumption E32:	0.458kWh/24h
Refrigerant(charge volume):	R600a(23g)
Blowing agent:	Cyclopentane



Capacitance is chosen according to the compressor

