



Classic Car Audio



High quality audio solutions - all you need for an amazing sound experience.



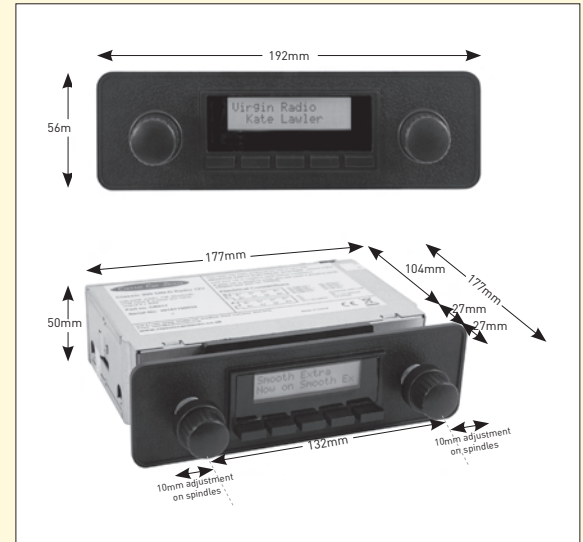
Classic Car Stereo

Classic 200

DAB, DAB+, FM, RDS, USB

Bluetooth hands free & streaming Aux in radio - silver

Part no. CR017



Our Classic 200 radio allows you to enjoy modern features in your classic car such as DAB/DAB+ (DAB windscreen mount aerial included), Bluetooth music streaming and hands free telephone calls (external microphone included), USB and 3.5mm aux in connections, iPhone or iPod connectivity and the sound is also significantly improved due to it's 4 x 45 watt stereo output. If you do feel you need more output then you can match the radio to our amplifiers and subwoofers to lift the sound further. The radio is DIN-D size so this means it is possible to install our radio in most classic cars without the need to cut or modify the car dashboard.

- DAB/DAB+
- RDS FM
- Bluetooth music streaming
- Bluetooth mobile hands free
- USB
- 3.5mm jack aux in
- iPhone and iPod compatible
- Subwoofer line output
- DIN-D size – no cutting needed for most classic cars
- Amplifier line output
- External Bluetooth microphone included
- DAB/DAB+ stick on windscreen aerial included
- Knobs and fascia included
- 4 x 45 watts
- 12V negative earth

Hidden Bluetooth amplifier with aux in - 4 speaker output

Part no. CR016

Our hidden Bluetooth amplifier allows you the option to retain the appearance of your vehicle interior whilst offering a quality sound from your mobile phone or other portable music devices either via Bluetooth or via the headphone jack.

There is no need to have a radio installed in your vehicle, however, you will require at least two speakers or one of our dual voice coil single speakers.

The amplifier can be hidden away behind the dashboard, under the seat or even in the boot and is capable of powering 4 speakers.

Specifications

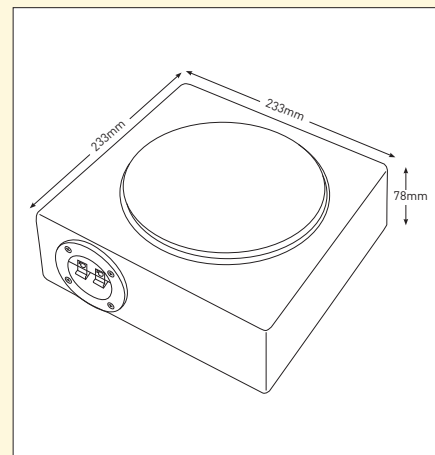
Maximum output @ 4 ohms	4 x 250 watts
RMS output @ 4 ohms	4 x 60 watts
Frequency Response	0 HZ - 20 KHZ
Fuse Rating	5 Amps
Power Supply	10 to 16 volts
Sensitivity	150 MV
Channel Separation	→ 50 DB
THD	← 0.1 %

Please note that this unit is only suitable for negative earth only.

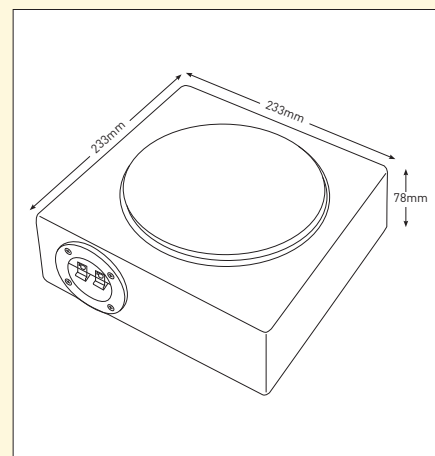
If your vehicle is positive earth you will require our CA002 positive earth adaptor.



6" (165mm) Hidden speaker SVC
Supplied in pairs. Part no. CS041



6" (165mm) Hidden speaker DVC
Supplied individually. Part no. CS042





Loudspeakers are an extremely important part of your in car entertainment system and as such should not be overlooked. A loudspeaker that is potentially in excess of thirty years old is not likely to perform adequately or cope with the output of a modern radio. By replacing your loudspeakers you can be assured of a significant improvement in sound quality. We have a number of loudspeaker options available that suit most British and European cars.

Our **Single Voice Coil (SVC)** loudspeakers are suitable for cars with two speaker positions i.e. one position in both doors or one position on both sides of the car dashboard, or in the kick panels etc. These loudspeakers are supplied with a plain black mesh grille and can be installed with or without the grille.

Our **Dual Voice Coil (DVC)** Loudspeakers are suitable for cars that have a single aperture or grille in the dashboard, console or rear parcel shelf and they allow you to install a stereo loudspeaker in a position that was originally designed for a mono loudspeaker. These loudspeakers are supplied without a grille (although you can order these under a different part number if required).

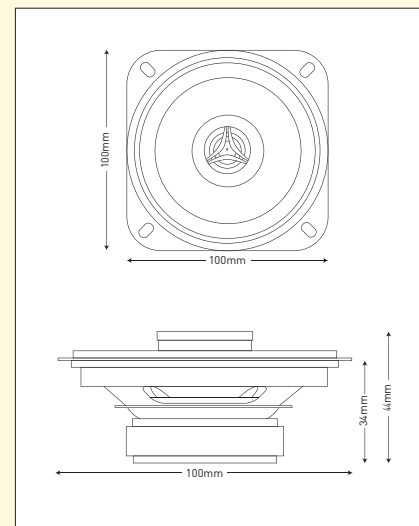
All our loudspeakers offer high power handling and finely tuned acoustics to guarantee a well balanced sound.

4" (100mm)

Co-axial loudspeakers SVC

Supplied in pairs. Part no. CS011

Impedance 4 ohms • Nominal 25 watts • Maximum 50 watts

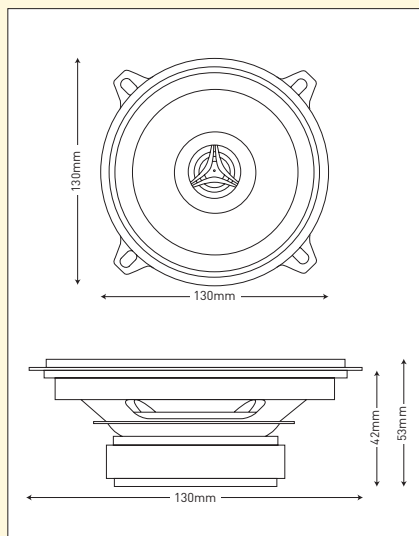


5¼" (130mm)

Co-axial loudspeakers SVC

Supplied in pairs. Part no. CS012

Impedance 4 ohms • Nominal 30 watts • Maximum 60 watts

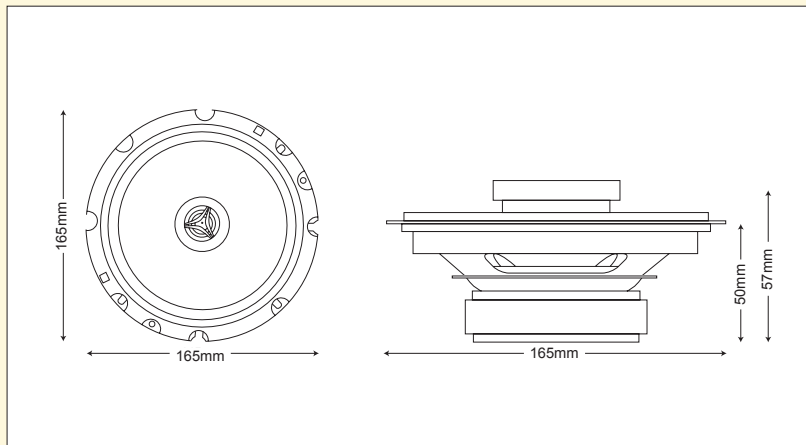


6" (165mm)

Co-axial loudspeakers SVC

Supplied in pairs. Part no. CS013

Impedance 4 ohms • Nominal 40 watts • Maximum 80 watts

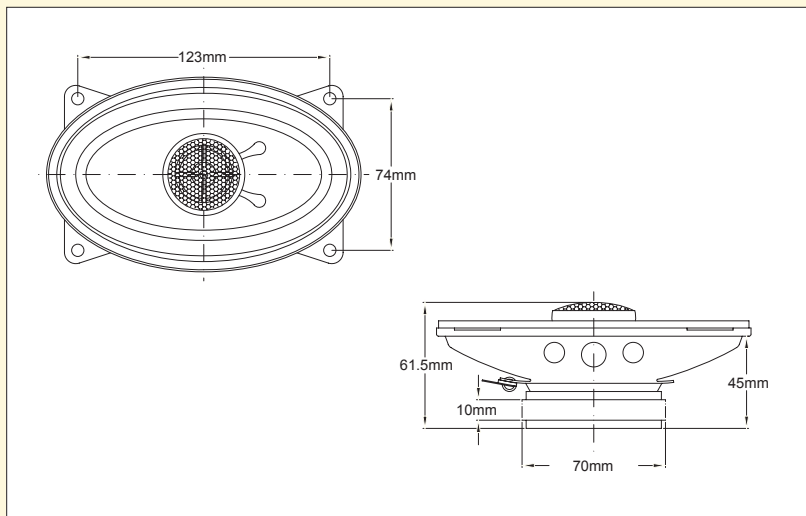


6 x 4" (165 x 100mm)

Co-axial loudspeakers SVC

Supplied in pairs. Part no. CS030

Impedance 4 ohms • Nominal 40 watts • Maximum 80 watts



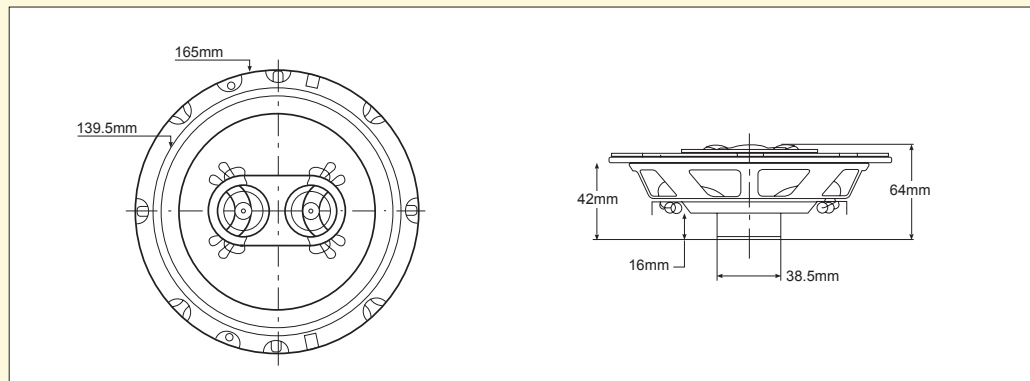
6" (165mm)



Co-axial loudspeaker DVC

Supplied individually. Part no. A658

Impedance 4 ohms • Nominal 50 watts • Maximum 100 watts



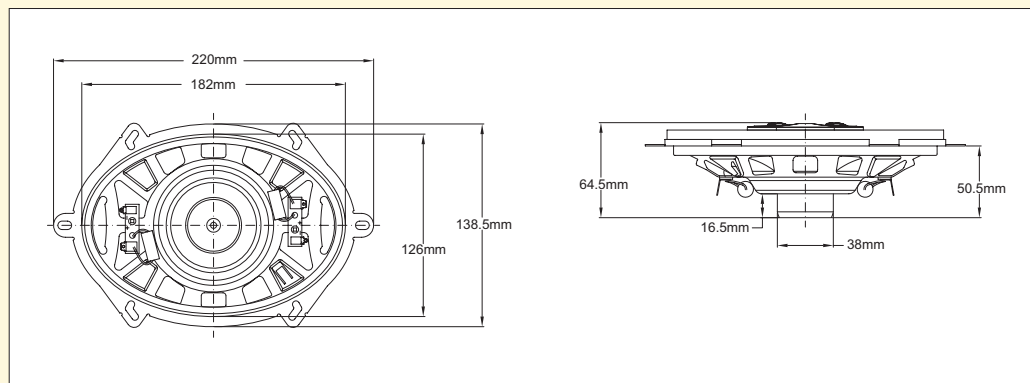
5 x 7" (130 x 190mm)



Co-axial loudspeaker DVC

Supplied individually. Part no. CS036

Impedance 4 ohms • Nominal 40 watts • Maximum 80 watts



* Grille shown available separately.



NAVCA b.v. Veldege 25 7468 DJ Enter **Tel:** 0031 85 877 07 09 | **Fax:**

0031 85 877 16 04

Email: info@navca.nl | **Website:** www.navca.nl