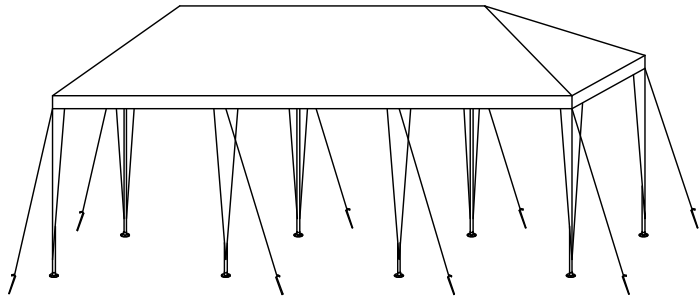
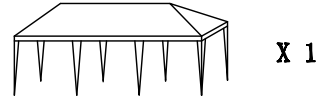


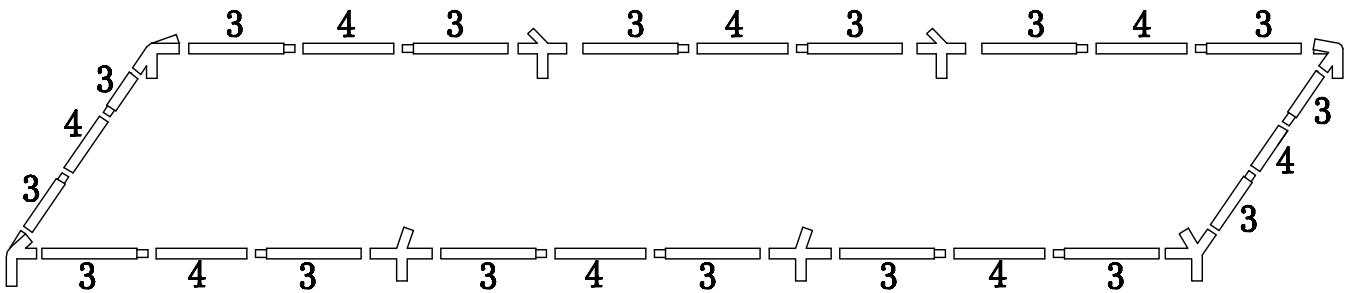
# 3 X 9 M



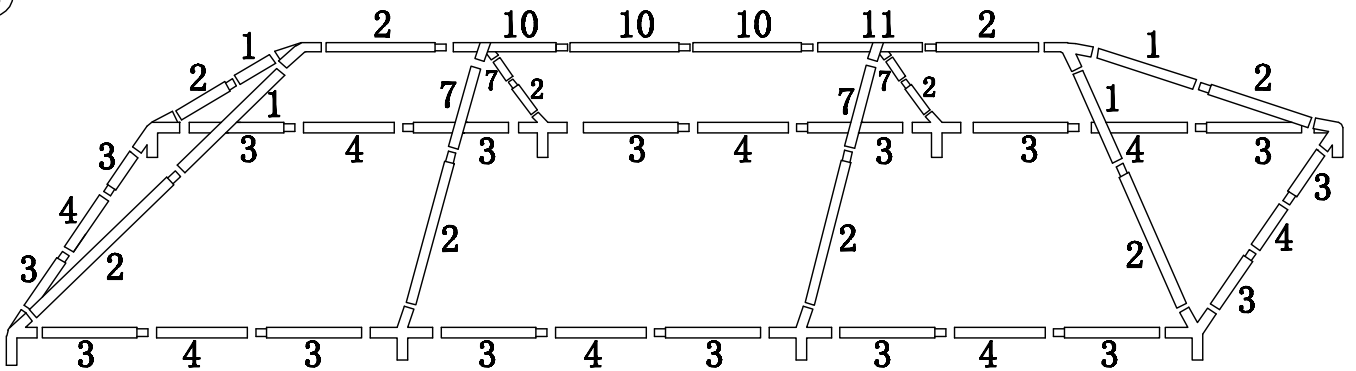
- |   |  |      |  |     |  |      |
|---|--|------|--|-----|--|------|
| ① |  | X 4  |  | X 4 |  | X 4  |
| ② |  | X 10 |  | X 2 |  | X 2  |
| ③ |  | X 16 |  | X 8 |  | X 16 |
| ④ |  | X 8  |  | X 8 |  |      |
| ⑤ |  | X 8  |  |     |  |      |
| ⑥ |  | X 8  |  |     |  |      |
| ⑦ |  | X 4  |  |     |  |      |
| ⑩ |  | X 3  |  |     |  |      |
| ⑪ |  | X 1  |  |     |  |      |



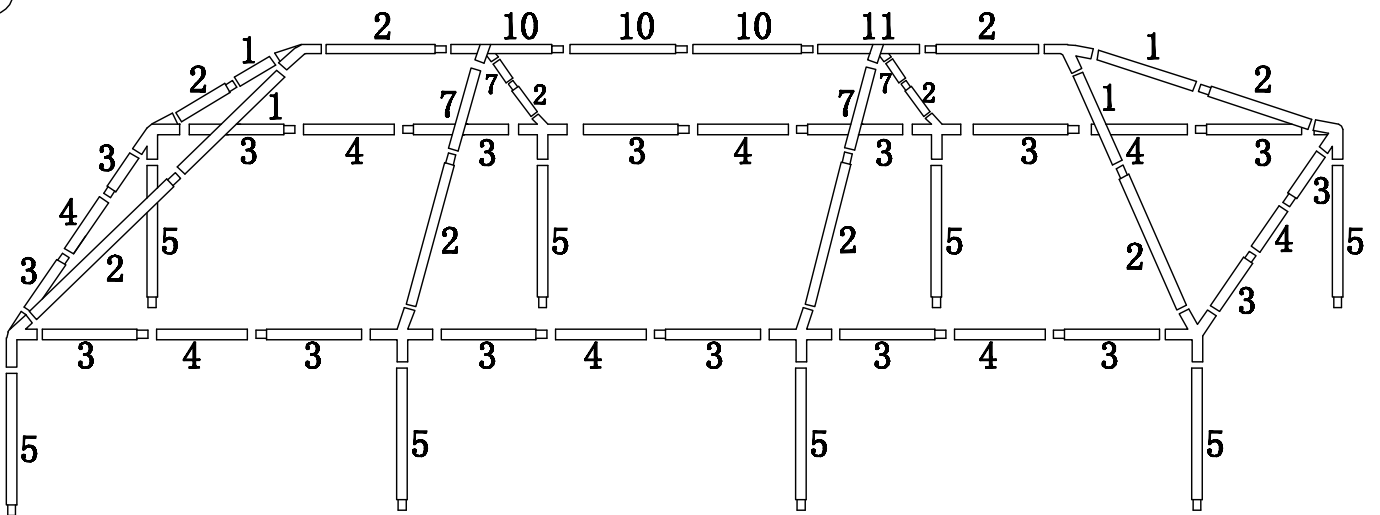
①



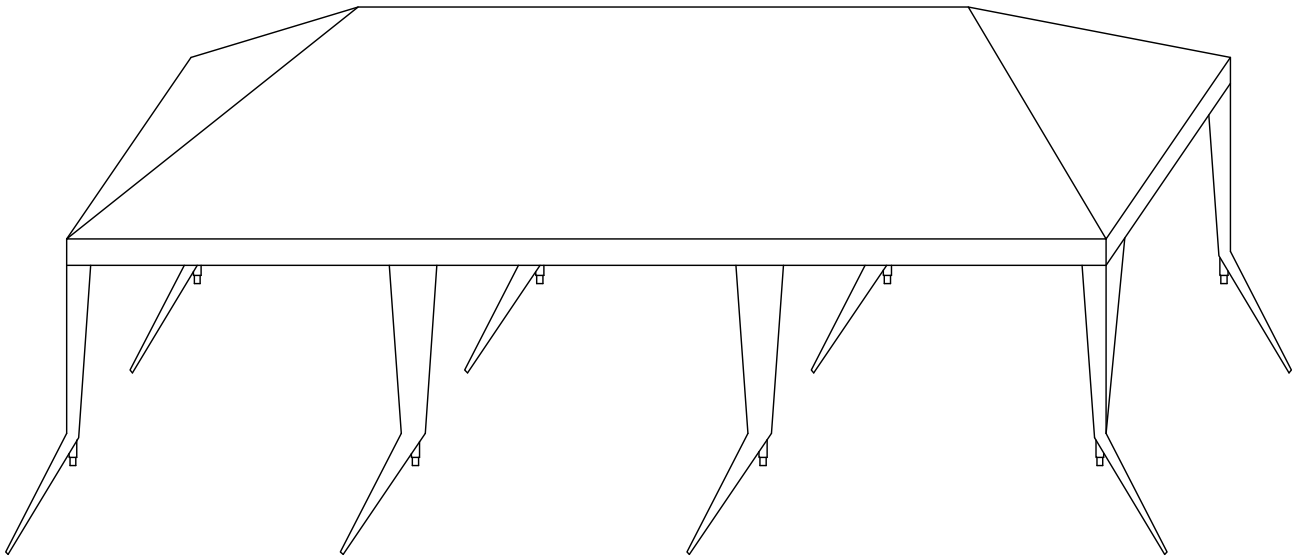
②



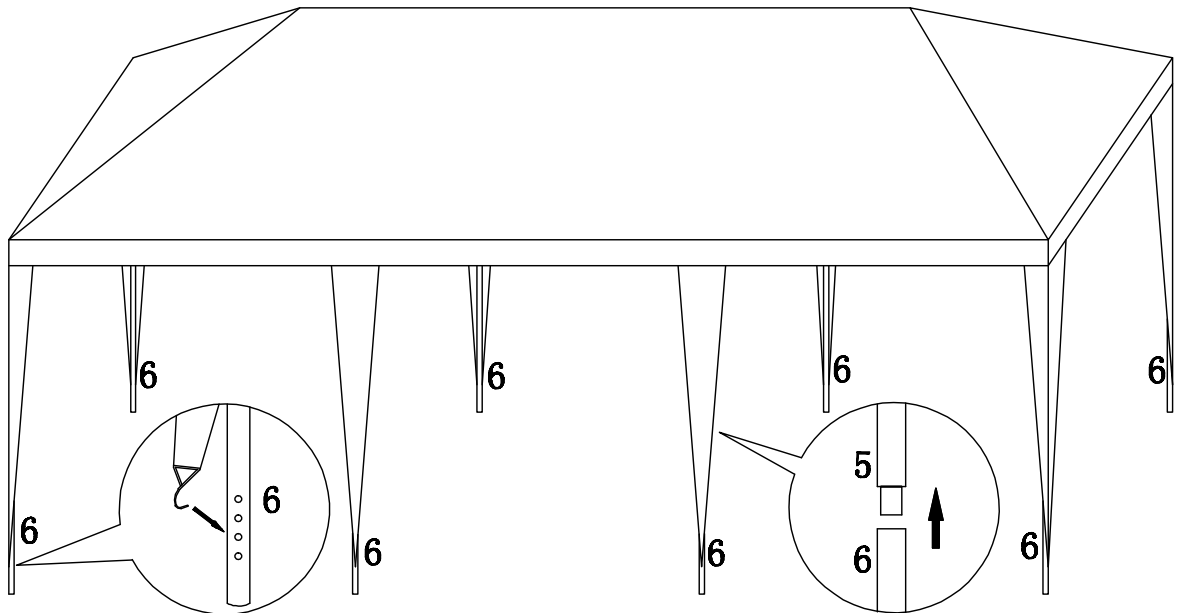
③



4



5



6

