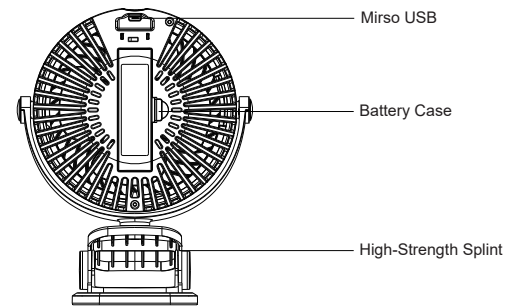
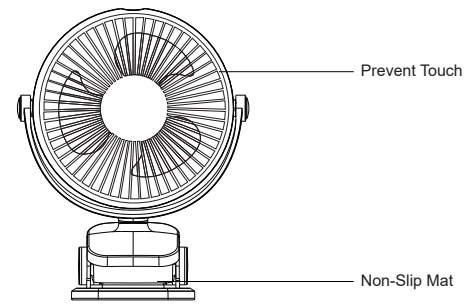


Instruction Manual



JD-199

CLIP MINI Fan



Package Contents

USB Fan*1 Battery*1 USB Cable*1 Instruction Manual*1

1

Thank you for purchasing the Telgoner USB Fan. Please read this user manual carefully and keep it for future reference.

If you need any assistance, please contact our support team with your product model number and Amazon order number.

Specifications

SPEED REGULATION	Three speed regulation
OUTPUT POWER (MAX)	5W
WORKING TIME (H)	1.5-6H
BATTERY SPECIFICATION (MA/H)	3.7V, 2600 mAh
CHARGING TIME (H)	2-4H
CHARGE CURRENT (A)	1A max
BATTERY INSTALLATION METHOD	Detachable
HOST NET WEIGHT (G)	280g
PACKING SIZE (MM)	150*100*190

Operating Instructions

The blue light shines in the working state. If repeated several times can not boot, the battery may not have electricity. Please charge it first!

Make sure that the switch is in the closed state before inserting the battery. After installing the battery, turn on the switch, press once for the first wind speed, press again for the second speed, and then press again for the third speed - this is the maximum speed. Press the fan again to turn it off.

2

The Micro USB socket is the charging port, insert the charger. Bright red light for the state of charge. Red light goes off after full charge.

When the battery is empty, the output turns off and the light turns off.

Notice

This machine uses a lithium-ion battery, has no memory effect, do not have to wait until the battery is exhausted to charge, keep the battery in a state of electricity at any time, which is beneficial to extend the battery life.

When the fan is working, the blades will rotate at high speed. It is forbidden to insert foreign objects into the fan, otherwise the machine may be damaged.

If you do not use the fan for a long time, you need to fully charge the battery, then remove the battery from the fan, pack it in a plastic bag, and store it in a dry and cool place.

If the battery is used at an ambient temperature of more than 60 degrees Celsius, or if the battery is squeezed and dissected, its life will be seriously shortened, and there may even be a risk of leakage or explosion.

In order to ensure the use effect and service life of this product, please use the accessories specified by the company.

Warranty & Customer Support

For questions, support, or warranty claims, contact us at the address below that corresponds with your region. Please include your Amazon order number and product model number.

3