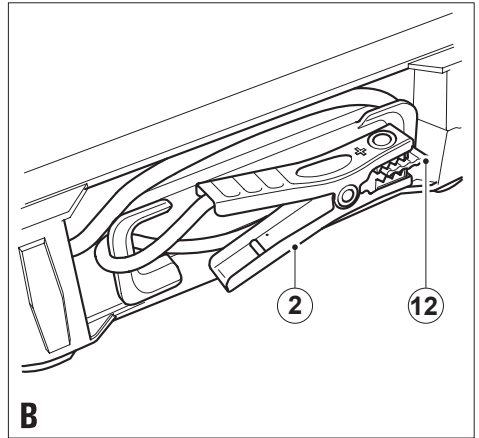
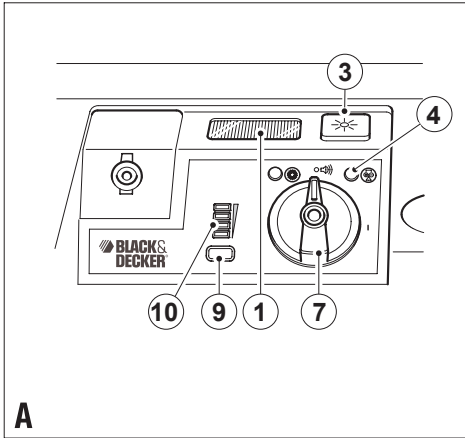


English	3
Deutsch	8
Français	14
Italiano	19
Nederlands	24
Español	29
Português	35
Svenska	40
Norsk	45
Dansk	50
Suomi	55
Ελληνικά	60



Intended use

Your Black & Decker jump starter is designed to provide additional power to lead-acid batteries when starting car engines. This product is intended for household, consumer use only.

Safety instructions

Warning! When using battery-powered appliances, basic safety precautions, including the following, should always be followed to reduce the risk of fire, leaking batteries, personal injury and material damage.

- ◆ Read all of this manual carefully before using the appliance.
- ◆ The intended use is described in this manual. The use of any accessory or attachment or the performance of any operation with this appliance other than those recommended in this instruction manual may present a risk of personal injury.
- ◆ Retain this manual for future reference.

Using your appliance

- ◆ Always take care when using the appliance.
- ◆ This appliance is not intended for use by young or infirm persons without supervision.
- ◆ The appliance is not to be used as a toy.
- ◆ Use in a dry location only. Do not allow the appliance to become wet.
- ◆ Do not immerse the appliance in water.
- ◆ Do not open body casing. There are no user-serviceable parts inside.
- ◆ Do not operate the appliance in explosive atmospheres, such as in the presence of flammable liquids, gases or dust.
- ◆ To reduce the risk of damage to plugs and cords never pull the cable to remove the plug from a socket outlet.

After use

- ◆ When not in use, the appliance should be stored in a dry, well ventilated place out of the reach of children.
- ◆ Children should not have access to stored appliances.
- ◆ When the appliance is stored or transported in a vehicle it should be placed in the boot or restrained to prevent movement following sudden changes in speed or direction.
- ◆ The appliance should be protected from direct sunlight, heat and moisture.

Inspection and repairs

- ◆ Before use, check the appliance for damaged or defective parts. Check for breakage of parts, damage to switches and any other conditions that may affect its operation.

- ◆ Do not use the appliance if any part is damaged or defective.
- ◆ Have any damaged or defective parts repaired or replaced by an authorised repair agent.
- ◆ Never attempt to remove or replace any parts other than those specified in this manual.

Specific safety instructions for jump starters

The following symbols are marked on the appliance:



Read all of this instruction manual carefully.



Alternator good LED.



Reverse polarity indicator.

- ◆ Vehicles may have electrical and electronic systems (e.g. engine management system, mobile phone) that may be damaged if subjected to high starting voltages and voltage peaks. Before connecting the appliance to the vehicle read the vehicle's owner's manual to confirm that external-starting assistance is allowed.
- ◆ Follow these instructions and those published by the battery manufacturer, vehicle manufacturer and manufacturer of any equipment you intend to use with this unit. Review warning labels on these products and on the vehicle.
- ◆ This appliance is not designed to be used as a replacement for a vehicular battery. Do not attempt to operate a vehicle that does not have a battery installed.
- ◆ The appliance must only be connected to a 12V lead-acid battery. Do not use the appliance for charging dry-cell batteries that are commonly used with home appliances. These batteries may burst and cause injury to persons and damage property.
- ◆ Check the polarity of the vehicle battery terminals before connecting the appliance. Always disconnect the negative (black) jumper cable first: followed by the positive (red) jumper cable.
- ◆ The ON/OFF switch should be in the OFF position before connection to a power source or load, when the unit is charging and when not in use.
- ◆ Never allow the red and black clamps to touch each other or another common metal conductor. This could cause damage to the appliance and/or create a sparking/explosion hazard. Always store the battery clamps in the built-in holsters when not in use.

- ◆ When using this unit in proximity to the vehicle's battery and engine, stand the unit on a flat, stable surface, and be sure to keep all clamps, cords, clothing and body parts away from moving parts of the vehicle.
- ◆ This appliance contains a sealed lead-acid battery. It is recommended that the appliance is laid flat during storage, use, and recharging.

Warning! Explosive gas may be vented from the lead acid batteries when charging and under extreme conditions battery leakage may occur. Ensure the area is well ventilated when conducting jump starting and charging procedures.

- ◆ Do not charge the appliance using the 12V connector when the vehicle is occupied. Ensure the area is well ventilated.
- ◆ To reduce the risk of electric shock, disconnect the appliance from any power source before attempting maintenance or cleaning. Turning off controls without disconnecting the appliance will not reduce this risk.
- ◆ Make sure the appliance is disconnected from all charging power sources before beginning the jump start procedure.
- ◆ Never attempt to use the ac charger and dc charging connection simultaneously.

Additional safety instructions for batteries and chargers

Batteries

- ◆ Never attempt to open for any reason.
- ◆ Do not expose the battery to water.
- ◆ Do not store in locations where the temperature may exceed 40°C.
- ◆ Charge only at ambient temperatures between 4°C and 40°C.
- ◆ Charge only using the chargers provided with the appliance.
- ◆ When disposing of batteries, follow the instructions given in the section "Protecting the environment".
- ◆ Under extreme conditions, battery leakage may occur. When you notice liquid on the batteries, carefully wipe the liquid off using a cloth. Avoid skin contact.
- ◆ In case of skin or eye contact, follow the instructions below.

Warning! The battery fluid is a diluted sulphuric acid and may cause personal injury or damage to property. In case of skin contact, immediately rinse with water. If redness, pain or irritation occurs seek medical attention. In case of eye contact, rinse immediately with clean water and seek immediate medical attention.

Chargers

Your charger has been designed for a specific voltage. Always check that the mains voltage corresponds to the voltage on the rating plate.

Warning! Never attempt to replace the charger unit with a regular mains plug.

Use your Black & Decker charger only to charge the battery in the tool with which it was supplied. Other batteries could burst, causing personal injury and damage.

- ◆ Never attempt to charge non-rechargeable batteries.
- ◆ Have defective cords replaced immediately.
- ◆ Do not expose the charger to water.
- ◆ Do not open the charger.
- ◆ Do not probe the charger.

The battery must be placed in a well ventilated area when charging.



Fail-safe isolating transformer. The mains supply is electrically separated from the transformer output.



The charger automatically shuts off if the ambient temperature becomes too high. As a consequence the charger will be inoperable. The charging base must be disconnected from the mains supply and taken to an authorised service centre for repair.



Read all of this instruction manual carefully.



This appliance is intended for indoor use only

Electrical safety



This appliance is double insulated; therefore no earth wire is required. Always check that the power supply corresponds to the voltage on the rating plate.

- ◆ If the supply cord is damaged, it must be replaced by the manufacturer or an authorised Black & Decker Service Centre in order to avoid a hazard.

Features

This appliance includes some or all of the following features:

1. LED area light
2. Heavy-duty copper clamps
3. LED area light on/off switch
4. Reverse polarity indicator
5. Jumper cables
6. Mains charging adaptor
7. ON/OFF switch
8. Carry handle
9. Battery status pushbutton
10. Battery status LEDs
11. 12 Vdc charging socket
12. Clamp Holders

USE

Charging the unit (fig. A)

This unit is shipped in a partially charged state.

- ◆ Charge the unit before first use using the mains charging adaptor (6) for 48 hours.

Lead-acid batteries require routine maintenance to ensure a full charge and a long battery life. All batteries lose energy from self-discharge over time and more rapidly at higher temperatures. When the unit is not in use, Black & Decker recommend that the battery is charged at least every 60 days.

- ◆ Check the battery charge level by pressing the battery status pushbutton (9). The LED charge status display (10) will indicate the level of battery charge. When only one red LED lights, charge the unit.

Note: Charging the battery after each use will prolong the battery life; frequent heavy discharges between charges and/or overcharging will reduce battery life.

The battery can be charged using the mains charging adaptor (6).

Charging the unit with the mains charger (fig. A)

Make sure that the ON/OFF switch (7) and the LED area light (1) are turned off while the unit is being charged.

As charging progresses, the red LEDs will light one by one.

- ◆ Charge the unit until the green FULL LED lights.
- ◆ Continue to charge for one to two more hours.

Note: The mains charging should not be connected for more than 60 hours.

- ◆ When charging is complete, disconnect the mains charging adaptor (6) and store it in a safe place.

Using the unit as a jump-starter (fig. A & B)

Warning! Make sure that the vehicle is in neutral with the parking brake applied.

Note: If your connections are incorrectly made, the unit will beep continuously and the red reverse polarity indicator (4) will illuminate, even if the ON/OFF switch (7) is in the OFF position. Rectify the connections immediately.

Warning! Make sure that the cables are not in the path of moving belts or the fan.

1. Turn off the vehicles ignition and all accessories before making any connections.
2. Make sure that the units ON/OFF switch (7) is turned OFF.
3. The following procedure is for a negative earth system ie the negative battery terminal is connected to the chassis.
4. Connect the positive (+) red clamp to the vehicle's positive battery terminal.
5. Connect the negative (-) black clamp to chassis or a solid, non-moving, metal vehicle component or chassis part. Never clamp directly to negative battery terminal or moving part. Refer to the automobile owner's manual.
6. Turn the unit's ON/OFF switch (7) to the ON position.
7. Start the vehicle and crank the engine in 3 to 6 second bursts.
- ◆ If the engine doesn't start within 6 seconds let the units internal battery cool for 3 minutes before making another attempt.
8. When the vehicle starts, turn the unit's OFF/ON switch (7) to the OFF position.
9. Leave the vehicle's engine running.
10. Disconnect the (-) black clamp connected to the engine or chassis first, followed by the (+) red clamp that is connected to the battery positive (+) terminal.
11. Carefully press the negative (black) jumper cable wire into the storage channel starting at the end furthest from the clamp.
12. Clamp the negative (black) clamp onto the clamp holder (12).
13. Carefully press the positive (red) jumper cable wire into the storage channel starting at the end furthest from the clamp.
14. Clamp the positive (red) clamp onto the clamp holder (12).
15. Charge the unit as soon as possible.

Using the LED area light (fig. A)

The LED area light (1) will operate up to 50 hours on a full charge. The LED area light's operating life is 100,000 hours.

- ◆ Press the LED area light on/off button (3) on the top panel of the unit to turn the LED area light (1) on.
- ◆ Press the LED area light on/off button (3) again to turn the LED area light (1) off.

Make sure that the LED area light is turned off while the unit is being charged or stored.

Maintenance

Your Black & Decker tool/appliance has been designed to operate over a long period of time with a minimum of maintenance.

Continuous satisfactory operation depends upon proper tool care and regular cleaning.

Warning! Before performing any maintenance or cleaning on the tool/appliance, unplug the appliance.

- ◆ From time to time wipe the appliance with a damp cloth. Do not use any abrasive or solvent-based cleaner. Do not immerse the appliance in water.
- ◆ After each use, clean the battery clamps (2) and be sure to remove any battery fluid that will cause corrosion of the clamps (2).
- ◆ Clean the outside case of the battery charger with a soft cloth and, if necessary, mild soap solution.
- ◆ Do not allow liquid to enter the battery charger. Do not operate when the battery charger is wet.
- ◆ Keep the battery charger cords loosely coiled during storage to prevent damage to the cords.

Protecting the environment



Separate collection. This product must not be disposed of with normal household waste.

Should you find one day that your Black & Decker product needs replacement, or if it is of no further use to you, do not dispose of it with household waste. Make this product available for separate collection.



Separate collection of used products and packaging allows materials to be recycled and used again. Re-use of recycled materials helps prevent environmental pollution and reduces the demand for raw materials.

Local regulations may provide for separate collection of electrical products from the household, at municipal waste sites or by the retailer when you purchase a new product.

Black & Decker provides a facility for the collection and recycling of Black & Decker products once they have reached the end of their working life. To take advantage of this service please return your product to any authorised repair agent who will collect them on our behalf.

You can check the location of your nearest authorised repair agent by contacting your local Black & Decker office at the address indicated in this manual. Alternatively, a list of authorised Black & Decker repair agents and full details of our after-sales service and contacts are available on the Internet at: www.2helpU.com.



Lead acid batteries can be recharged many times. At the end of their useful life, discard batteries with due care for our environment:

- ◆ Do not dispose of the battery in fire, as this may result in an explosion.
- ◆ Lead acid (Pb) batteries are recyclable. They must not be disposed of with household waste. The battery must be removed and disposed of in accordance with local regulations.
- ◆ Do not short-circuit the battery terminals.
- ◆ Be aware that the battery is heavy.
- ◆ If possible, operate the appliance to run the battery down completely.

Place the battery in a suitable packaging to ensure that the terminals cannot be short-circuited.

Take the battery to your service agent or a local recycling station. Collected batteries will be recycled or disposed of properly.

Technical data

	BDJS350	BDJS450
Battery	Type 12 V 9 Ah sealed lead acid	12 V 17 Ah sealed lead acid
Output (instant)	A 350	450
Output (constant for 5 seconds)	A 200	300
Weight	kg 4.00	6.4
Battery Charger		
Input	Vac 230	230
Approx. charging time	h 48	48
Weight	kg 0.32	0.48

EC declaration of conformity

BDJS350/BDJS450

Black & Decker declares that these products conform to:
Standards & Legislation.
EN60335, 2006/95/EC

The undersigned is responsible for compilation of the technical file and makes this declaration on behalf of
Black & Decker.



Kevin Hewitt
Director of Consumer Engineering
Spennymoor, County Durham, DL16 6JG,
United Kingdom
25-06-2008

To claim on the guarantee, you will need to submit proof of purchase to the seller or an authorised repair agent. You can check the location of your nearest authorised repair agent by contacting your local Black & Decker office at the address indicated in this manual. Alternatively, a list of authorised Black & Decker repair agents and full details of our after-sales service and contacts are available on the Internet at: **www.2helpU.com**

Please visit our website **www.blackanddecker.co.uk** to register your new Black & Decker product and to be kept up to date on new products and special offers. Further information on the Black & Decker brand and our range of products is available at **www.blackanddecker.co.uk**.

Guarantee

Black & Decker is confident of the quality of its products and offers an outstanding guarantee. This guarantee statement is in addition to and in no way prejudices your statutory rights. The guarantee is valid within the territories of the Member States of the European Union and the European Free Trade Area.

If a Black & Decker product becomes defective due to faulty materials, workmanship or lack of conformity, within 24 months from the date of purchase, Black & Decker guarantees to replace defective parts, repair products subjected to fair wear and tear or replace such products to make sure of the minimum inconvenience to the customer unless:

- ◆ The product has been used for trade, professional or hire purposes.
- ◆ The product has been subjected to misuse or neglect.
- ◆ The product has sustained damage through foreign objects, substances or accidents.
- ◆ Repairs have been attempted by persons other than authorised repair agents or Black & Decker service staff.

Bestimmungsgemäße Verwendung

Ihr Black & Decker Starthilfegerät liefert zusätzliche Leistung für Bleisäurebatterien zum Starten von Kraftfahrzeugmotoren. Dieses Gerät ist nicht für den gewerblichen Einsatz vorgesehen.

Sicherheitshinweise

Achtung! Beachten Sie beim Umgang mit akku- oder batteriebetriebenen Geräten stets die grundlegenden Sicherheitshinweise, einschließlich der folgenden. Dadurch verhindern Sie so weit wie möglich das Entstehen von Bränden, das Auslaufen von Batterien oder Akkus sowie Sach- und Personenschäden.

- ◆ Lesen Sie diese Anleitung vollständig und aufmerksam durch, bevor Sie das Gerät zum ersten Mal verwenden.
- ◆ Der vorgesehene Verwendungszweck ist in dieser Anleitung beschrieben. Bei Verwendung von Zubehör oder Anbauteilen, die nicht in dieser Anleitung empfohlen sind, sowie bei der Bedienung des Geräts in Abweichung von den in dieser Anleitung beschriebenen Verfahren besteht Verletzungsgefahr.
- ◆ Heben Sie diese Anleitung auf.

Verwendung des Geräts

- ◆ Verwenden Sie das Gerät stets mit Umsicht.
- ◆ Das Gerät ist nicht für die unbeaufsichtigte Verwendung durch Kinder oder gebrechliche Personen vorgesehen.
- ◆ Das Gerät ist kein Spielzeug.
- ◆ Verwenden Sie das Gerät nur in trockener Umgebung. Achten Sie darauf, dass das Gerät nicht nass wird.
- ◆ Tauchen Sie das Gerät nicht in Wasser.
- ◆ Versuchen Sie nicht, das Gehäuse zu öffnen. Im Inneren befinden sich keine zu wartenden Teile.
- ◆ Betreiben Sie das Gerät nicht in explosionsgefährdeter Umgebung, in der sich brennbare Flüssigkeiten, Gase oder Stäube befinden.
- ◆ Ziehen Sie niemals am Kabel, wenn Sie den Stecker aus der Steckdose ziehen möchten. Kabel und Stecker können sonst beschädigt werden.

Nach dem Gebrauch

- ◆ Bewahren Sie das Gerät bei Nichtgebrauch an einem trockenen, gut belüfteten Ort außerhalb der Reichweite von Kindern auf.
- ◆ Kinder sollten keinen Zugang zu aufbewahrten Geräten haben.
- ◆ Wenn das Gerät in einem Fahrzeug transportiert oder gelagert wird, bewahren Sie es im Kofferraum oder einer geeigneten Ablage auf, damit es bei plötzlichen Geschwindigkeits- oder Richtungsänderungen nicht in Bewegung geraten kann.

- ◆ Schützen Sie das Gerät vor direkter Sonneneinstrahlung, Hitze und Feuchtigkeit.

Inspektion und Reparaturen

- ◆ Prüfen Sie das Gerät vor der Verwendung auf beschädigte oder defekte Teile. Prüfen Sie, ob Teile gebrochen sind, Schalter beschädigt sind oder ob andere Bedingungen vorliegen, die die Funktion beeinträchtigen könnten.
- ◆ Betreiben Sie das Gerät nicht, wenn ein Teil beschädigt oder defekt ist.
- ◆ Lassen Sie beschädigte oder defekte Teile in einer Vertragswerkstatt reparieren oder austauschen.
- ◆ Ersetzen oder entfernen Sie keine Teile, für die in dieser Anleitung keine entsprechende Beschreibung enthalten ist.

Spezielle Sicherheitshinweise für Starthilfegeräte

Am Gerät sind die folgenden Symbole angebracht:



Lesen Sie diese Anleitung vollständig und aufmerksam durch.



LED für Stromgenerator



Verpollungsanzeige

- ◆ Kraftfahrzeuge können mit elektrischen und elektronischen Systemen ausgestattet sein, etwa mit Motorsteuerungssystemen oder Mobiltelefonen, die durch hohe Anlassspannungen und Spannungsspitzen beschädigt werden können. Bevor Sie das Gerät am Fahrzeug anschließen, lesen Sie deshalb in der Betriebsanleitung nach, ob das Fremdstarten zulässig ist.
- ◆ Beachten Sie die vorliegende Gebrauchsanweisung sowie die Hinweise des Batterieherstellers, des Fahrzeugherstellers und der Hersteller sonstiger Geräte, die Sie in Verbindung mit dem Starthilfegerät einsetzen möchten. Beachten Sie die Warnsymbole auf diesen Geräten und am Fahrzeug.
- ◆ Dieses Gerät ist nicht als Ersatz für eine Fahrzeugbatterie geeignet. Versuchen Sie nicht, ein Fahrzeug zu starten, in dem keine Batterie eingebaut ist.
- ◆ Das Gerät darf nur an 12-V-Bleisäurebatterien angeschlossen werden. Laden Sie mit dem Gerät keine Trockenbatterien, die vielfach in Haushaltsgeräten

eingesetzt werden. Diese Batterien können platzen und Sachschäden sowie Verletzungen verursachen.

- ◆ Überprüfen Sie die Polarität der Fahrzeugbatterie-Anschlüsse, bevor Sie das Gerät anschließen. Trennen Sie immer zuerst das Minus-Starthilfekabel (schwarz), dann das Plus-Starthilfekabel (rot).
- ◆ Der Ein-Aus-Schalter muss sich immer in Stellung AUS befinden, bevor eine Stromversorgung oder eine Last angeschlossen wird, oder wenn das Gerät geladen oder nicht benutzt wird.
- ◆ Die rote und die schwarze Klemme dürfen auf keinen Fall miteinander oder mit demselben metallenen Leiter verbunden werden. Dies könnte zur Beschädigung des Geräts führen. Gleichzeitig besteht in solchen Fällen eine Explosionsgefahr durch Funkenbildung. Bewahren Sie die Batterieklappen immer in den integrierten Halterungen auf.
- ◆ Wenn dieses Gerät in der Nähe der Fahrzeugbatterie und des Fahrzeugmotors verwendet wird, achten Sie darauf, dass das Gerät auf einer ebenen und ausreichend stabilen Unterlage steht. Achten Sie außerdem darauf, dass keine Klemmen, Kabel, Kleidungsstücke und Körperteile in die Nähe von bewegten Fahrzeugteilen geraten.
- ◆ Dieses Gerät enthält einen dicht verschlossenen Bleisäureakku. Das Gerät sollte liegend aufbewahrt, verwendet oder geladen werden.

Achtung! Beim Laden unter extremen Bedingungen können Bleisäureakkus Leck schlagen oder es kann explosives Gas entweichen. Achten Sie während des Starthilfe- und Ladevorgangs auf ausreichende Belüftung.

- ◆ Laden Sie das Gerät nicht über den 12-V-Anschluss, während das Fahrzeug besetzt ist. Achten Sie auf ausreichende Belüftung.
- ◆ Trennen Sie das Gerät von der Stromversorgung, bevor Sie Wartungs- oder Reinigungsarbeiten durchführen. Andernfalls besteht Stromschlaggefahr. Zur Beseitigung dieses Risikos genügt es nicht, das Gerät nur über die entsprechenden Bedienelemente auszuschalten.
- ◆ Vergewissern Sie sich vor Beginn des Starthilfevorgangs, dass das Gerät vollständig von der Ladestromversorgung getrennt ist.
- ◆ Versuchen Sie nicht, das Wechselstrom-Ladegerät und das Gleichstrom-Ladekabel gleichzeitig zu verwenden.

Zusätzliche Sicherheitshinweise für Akkus und Ladegeräte

Batterien

- ◆ Auf keinen Fall öffnen.

- ◆ Achten Sie darauf, dass der Akku nicht mit Wasser in Berührung kommt.
- ◆ Nicht bei Temperaturen über 40°C lagern.
- ◆ Laden Sie den Akku ausschließlich bei Umgebungstemperaturen zwischen 4°C und 40°C.
- ◆ Verwenden Sie ausschließlich die mit dem Gerät gelieferten Ladegeräte.
- ◆ Bei der Entsorgung von Batterien die Hinweise im Abschnitt „Umweltschutz“ beachten.
- ◆ Unter extremen Bedingungen können Batterien undicht werden. Wenn Sie feststellen, dass aus der Batterie Flüssigkeit austritt, wischen Sie diese vorsichtig mit einem Tuch ab. Vermeiden Sie Hautkontakt.
- ◆ Beachten Sie nach Haut- oder Augenkontakt die folgenden Hinweise.

Achtung! Die Akkufflüssigkeit ist verdünnte Schwefelsäure und kann Sach- oder Personenschäden verursachen. Spülen Sie die Säure nach Hautkontakt mit Wasser ab. Wenn sich auf der Haut Rötungen, Reizungen oder andere Irritationen zeigen, suchen Sie einen Arzt auf. Nach Augenkontakt spülen Sie das Auge sofort mit sauberem Wasser ab und nehmen unverzüglich ärztliche Betreuung in Anspruch.

Ladegerät

Das Ladegerät ist für eine bestimmte Spannung ausgelegt. Stellen Sie sicher, dass die Netzspannung der auf dem Typenschild des Geräts angegebenen Spannung entspricht.

Achtung! Ersetzen Sie das Ladegerät keinesfalls durch ein normales Netzkabel.


Verwenden Sie das Black & Decker Ladegerät nur für den Akku des Werkzeugs, mit dem es geliefert wurde. Andere Akkus könnten platzen und Sachschäden oder Verletzungen verursachen.

- ◆ Versuchen Sie keinesfalls, nicht aufladbare Batterien zu laden.
- ◆ Lassen Sie beschädigte Kabel sofort austauschen.
- ◆ Achten Sie darauf, dass das Ladegerät nicht mit Wasser in Berührung kommt.
- ◆ Versuchen Sie nicht, das Ladegerät zu öffnen.
- ◆ Nehmen Sie am Ladegerät keine Veränderungen vor.

Während der Akku geladen wird, muss auf ausreichende Belüftung geachtet werden.



F Ausfallsicherer Trenntrafo. Der Trafoausgang ist elektrisch von der Netzstromversorgung getrennt.

 Bei extrem hohen Umgebungstemperaturen schaltet sich das Ladegerät automatisch ab. Das Ladegerät lässt sich danach nicht mehr in Betrieb nehmen. Es muss dann von der Netzstromversorgung getrennt und in einer Vertragswerkstatt repariert werden.



Lesen Sie diese Anleitung vollständig und aufmerksam durch.



Dieses Gerät darf nur im Innenbereich verwendet werden.

Elektrische Sicherheit



Dieses Gerät ist schutzisoliert, daher ist keine Masseleitung erforderlich. Überprüfen Sie immer, ob die Netzspannung der auf dem Typenschild des Gerätes angegebenen Spannung entspricht.

- ◆ Ist das Netzkabel beschädigt, muss es durch den Hersteller oder eine Black & Decker Vertragswerkstatt ausgetauscht werden, um eine mögliche Gefährdung zu vermeiden.

Merkmale

Dieses Gerät verfügt über einige oder alle der folgenden Funktionsmerkmale:

1. LED-Beleuchtung
2. Hoch belastbare Kupferklemmen
3. Ein-Aus-Schalter für die LED-Beleuchtung
4. Verpolungsanzeige
5. Starthilfekabel
6. Netzladeadapter
7. Ein-Aus-Schalter
8. Tragegriff
9. Akkustatusaste
10. Akkustatus-LEDs
11. 12-VDC-Ladebuchse
12. Klemmenhalter

GEBRAUCH

Laden des Geräts (Abb. A)

Bei Auslieferung ist der Akku des Geräts teilweise geladen.

- ◆ Laden Sie das Gerät vor dem ersten Gebrauch mit dem Netzladeadapter (6) für 48 Stunden auf.

Bleisäureakkus müssen regelmäßig gewartet werden, damit die vollständige Ladung und eine lange Nutzungsdauer gewährleistet sind. Alle Akkus verlieren im Lauf der Zeit durch Selbstentladung Energie. Bei höheren Temperaturen verstärkt sich dieser Effekt. Wenn das Gerät nicht benutzt wird, empfiehlt es sich, den Akku mindestens alle 60 Tage nachzuladen.

- ◆ Sie können den Akkuladestatus jederzeit überprüfen, indem Sie die Akkustatusaste (9) drücken. Die LED-Ladestatusanzeige (10) signalisiert den Ladestatus des Akkus. Wenn nur eine rote LED leuchtet, muss das Gerät geladen werden.

Hinweis: Die Akkulebensdauer verlängert sich, wenn der Akku nach jedem Gebrauch des Geräts nachgeladen wird. Die Lebensdauer verkürzt sich, wenn der Akku zwischen den Ladevorgängen häufig stark entladen wird und/oder wenn der Akku überladen wird.

Der Akku kann über den Netzladeadapter (6) geladen werden.

Laden des Geräts mit dem Netzladeadapter (Abb. A)

Während des Ladevorgangs müssen der Ein-Aus-Schalter (7) und die LED-Beleuchtung (1) ausgeschaltet sein.

Mit zunehmender Akkuladung leuchten die roten LEDs nacheinander auf.

- ◆ Laden Sie das Gerät, bis die grüne LED leuchtet und die vollständige Ladung signalisiert.
- ◆ Setzen Sie den Ladevorgang für eine oder zwei Stunden fort.

Hinweis: Der Netzladeadapter sollte für höchstens 60 Stunden angeschlossen bleiben.

- ◆ Wenn der Ladevorgang abgeschlossen ist, ziehen Sie den Netzladeadapter (6) ab und bewahren ihn an einem geeigneten Ort auf.

Verwendung des Geräts zur Starthilfe (Abb. A und B)

Achtung! Vergewissern Sie sich, dass bei dem Fahrzeug kein Gang eingelegt und die Handbremse angezogen ist.

Hinweis: Wenn die Polarität der Anschlüsse vertauscht wurde, ertönt ein anhaltender Signalton, und die rote Verpolungsanzeige (4) leuchtet; diese Signale sind auch dann aktiv, wenn der sich der Ein-Aus-Schalter (7) in der Stellung AUS befindet. Verbinden Sie die Anschlüsse sofort mit der korrekten Polung.

Achtung! Die Kabel dürfen nicht in den Aktionsbereich von laufenden Riemern oder Lüftern kommen.

1. Schalten Sie die Zündung des Fahrzeugs und alle Verbraucher aus, bevor Sie eine Verbindung herstellen.
2. Vergewissern Sie sich, dass sich der Ein-Aus-Schalter des Geräts (7) in der Stellung AUS befindet.
3. Die folgende Anleitung gilt für ein Bordnetzsystem, bei dem die elektrische Masse (Karosserie) mit dem Minuspol der Batterie verbunden ist.
4. Schließen Sie die rote Plusklemme (+) an den Pluspol der Fahrzeugbatterie an.

5. Schließen Sie die schwarze Minusklemme (-) an einer unlackierten Stelle der Karosserie oder an einem stabilen, nicht beweglichen Metallteil des Fahrzeugs bzw. des Chassis an. Schließen Sie die Klemme keinesfalls direkt an den negativen Batterieanschluss oder ein bewegliches Teil an. Lesen Sie das entsprechende Handbuch des Autos.
6. Drehen Sie den Ein-Aus-Schalter (7) in die Stellung EIN.
7. Schalten Sie die Zündung des Fahrzeugs ein, und lassen Sie den Motor 3 bis 6 Sekunden lang durchdrehen.
 - ◆ Wenn der Motor nicht innerhalb von 6 Sekunden anspringt, lassen Sie den integrierten Akku des Geräts drei Minuten lang abkühlen, bevor Sie einen neuen Versuch unternehmen.
8. Sobald der Fahrzeugmotor aus eigener Kraft läuft, drehen Sie den Ein-Aus-Schalter (7) in die Stellung AUS.
9. Lassen Sie den Fahrzeugmotor laufen.
10. Trennen Sie zuerst die schwarze Minusklemme (-), die mit dem Motor oder dem Chassis verbunden ist, und dann die rote Plusklemme (+), die am Pluspol der Batterie angesetzt ist.
11. Schieben Sie das schwarze Minuskabel vorsichtig in den Aufbewahrungsschacht. Fassen Sie das Kabel dabei an dem Ende, das der Klemme gegenüberliegt.
12. Befestigen Sie die schwarze Minusklemme am Klemmenhalter (12).
13. Schieben Sie das rote Pluskabel vorsichtig in den Aufbewahrungsschacht. Fassen Sie das Kabel dabei an dem Ende, das der Klemme gegenüberliegt.
14. Befestigen Sie die rote Plusklemme auf den Klemmenhalter (12).
15. Laden Sie das Gerät so bald wie möglich.

Verwendung der LED-Beleuchtung (Abb. A)

Bei vollständig geladenem Akku kann die LED-Beleuchtung (1) 50 Stunden lang betrieben werden. Die Lebensdauer der LEDs beträgt 100.000 Stunden.

- ◆ Drücken Sie auf dem Bedienfeld an der Oberseite des Geräts die Ein-Aus-Taste für die LED-Beleuchtung (3), um die LED-Beleuchtung (1) einzuschalten.
- ◆ Drücken Sie die Ein-Aus-Taste (3) erneut, um die LED-Beleuchtung (1) abzuschalten.

Während des Ladevorgangs und während der Aufbewahrung des Geräts muss die LED-Beleuchtung ausgeschaltet sein.

Wartung

Ihr Black & Decker Gerät wurde im Hinblick auf eine lange Lebensdauer und einen möglichst geringen Wartungsaufwand entwickelt.

Ein dauerhafter, einwandfreier Betrieb setzt eine regelmäßige Pflege und Reinigung voraus.

Achtung! Ziehen Sie den Netzstecker des Geräts aus der Steckdose, bevor Sie mit Wartungs- oder Reinigungsarbeiten am Gerät beginnen.

- ◆ Wischen Sie das Gerät gelegentlich mit einem feuchten Tuch ab. Verwenden Sie keine scheuernden Reinigungsmittel oder Reinigungsmittel auf Lösungsmittelbasis. Tauchen Sie das Gerät nicht in Wasser.
- ◆ Säubern Sie die Batterieklemmen (2) nach jedem Gebrauch, und entfernen Sie dabei alle Batteriefülligkeitsrückstände, um die Klemmen (2) vor Korrosion zu schützen.
- ◆ Reinigen Sie das Gehäuse des Ladegeräts mit einem weichen Stofftuch und ggf. etwas milder Seifenlösung.
- ◆ Achten Sie darauf, dass keine Flüssigkeit in das Batterieladegerät eindringt. Nehmen Sie das Batterieladegerät nur in trockenem Zustand in Betrieb.
- ◆ Wickeln Sie für die Aufbewahrung des Ladegeräts die Kabel nur lose zusammen, um Kabelschäden zu vermeiden.

Umweltschutz



Getrennte Entsorgung. Dieses Produkt darf keinesfalls mit dem Hausmüll entsorgt werden.

Sollten Sie Ihr Black & Decker Produkt eines Tages ersetzen oder nicht mehr benötigen, entsorgen Sie es nicht mit dem Hausmüll, sondern führen Sie das Produkt einer getrennten Sammlung zu.



Durch die separate Sammlung von ausgedienten Produkten und Verpackungsmaterialien können Rohstoffe recycelt und wiederverwendet werden. Die Wiederverwendung aufbereiteter Materialien trägt zur Vermeidung der Umweltverschmutzung bei und senkt den Rohstoffbedarf.

Die Verordnung zur Abfallentsorgung Ihrer Gemeinde sieht möglicherweise vor, dass Elektrogeräte getrennt vom Hausmüll gesammelt, an der örtlichen Abfallentsorgungseinrichtung abgegeben oder beim Kauf eines neuen Produkts vom Fachhandel zur Entsorgung angenommen werden müssen.

Black & Decker nimmt Ihre ausgedienten Black & Decker Geräte gern zurück und sorgt für eine umweltfreundliche Entsorgung bzw. Wiederverwertung. Um diese Dienstleistung in Anspruch zu nehmen, geben Sie das Gerät bitte bei einer autorisierten Reparaturwerkstatt ab, die für uns die Einsammlung übernimmt.

Die Adresse der zuständigen Niederlassung von Black & Decker steht in dieser Anleitung. Diese teilt Ihnen gerne die nächstgelegene Vertragswerkstatt mit. Außerdem ist eine Liste der Vertragswerkstätten und aller Kundendienststellen von Black & Decker sowie der zuständigen Ansprechpartner im Internet zu finden unter: www.2helpU.com.



Bleisäurebatterien können viele Male aufgeladen werden. Denken Sie bei der Entsorgung von verbrauchten Batterien an die Umwelt.

- ◆ Werfen Sie Batterien nicht ins Feuer. Es besteht Explosionsgefahr.
- ◆ Bleisäurebatterien (Pb) können recycelt werden. Batterien dürfen keinesfalls mit dem Hausmüll entsorgt werden. Halten Sie sich an die örtlichen Richtlinien zur Sondermüllentsorgung.
- ◆ Achten Sie darauf, dass die Batteriekontakte nicht kurzgeschlossen werden.
- ◆ Beim Umgang mit der Batterie sollten Sie ihr Gewicht berücksichtigen.
- ◆ Lassen Sie die Batterie möglichst im Betrieb leer werden.

Verpacken Sie die Batterie in einem geeigneten Behälter, sodass die Batteriekontakte nicht kurzgeschlossen werden können.

Bringen Sie die Batterie zu Ihrer Vertragswerkstatt oder zu einer Rücknahmestelle in Ihrer Nähe. Die abgegebenen Batterien werden dem Recycling zugeführt oder vorschriftsmäßig entsorgt.

Technische Daten

	BDJS350	BDJS450
Akku	Typ 12 V, 9 Ah, Bleisäure, gekapselt	12 V, 17 Ah, Bleisäure, gekapselt
Ausgang (Impulsbelastung)	A 350	450
Ausgang (konstante Belastung für 5 Sekunden)	A 200	300
Gewicht	kg 4,00	6,4
Akkuladegerät		
Eingang	VAC 230	230
Ungefähre Dauer des Ladevorgangs	Std 48	48
Gewicht	kg 0,32	0,48

EU-Konformitätserklärung

BDJS350/BDJS45

Black & Decker erklärt, dass diese Produkte den folgenden Normen entsprechen:
Normen und gesetzliche Vorschriften.
EN60335, 2006/95/EC

Der Unterzeichnete ist verantwortlich für die Zusammenstellung der technischen Daten und gibt diese Erklärung im Namen von Black & Decker ab.

Kevin Hewitt
Director of Consumer Engineering
Spennymoor, County Durham, DL16 6JG,
Vereinigtes Königreich
25.06.2008

Garantie

Black & Decker vertraut auf die Qualität der eigenen Geräte und bietet dem Käufer eine außergewöhnliche Garantie. Diese Garantiezusage versteht sich unbeschadet der gesetzlichen Gewährleistungsansprüche und schränkt diese keinesfalls ein. Sie gilt in sämtlichen Mitgliedstaaten der Europäischen Union und der Europäischen Freihandelszone EFTA.

Tritt innerhalb von 24 Monaten ab Kaufdatum an einem Gerät von Black & Decker ein auf Material- oder Verarbeitungsfehler zurückzuführender Mangel auf, garantiert Black & Decker den Austausch defekter Teile, die Reparatur von Geräten mit üblichem Verschleiß bzw. den Austausch eines mangelhaften Gerätes, ohne dass dem Kunden dabei mehr als unvermeidlich Unannehmlichkeiten entstehen, allerdings vorbehaltlich folgender Ausnahmen:

- ◆ wenn das Gerät gewerblich, beruflich oder im Verleihgeschäft benutzt wurde;
- ◆ wenn das Gerät missbräuchlich verwendet oder mit mangelnder Sorgfalt behandelt wurde;
- ◆ wenn das Gerät durch irgendwelche Fremdeinwirkung beschädigt wurde;
- ◆ wenn ein unbefugter Reparaturversuch durch anderes Personal als das einer Vertragswerkstatt oder des Black & Decker Kundendienstes unternommen wurde.

Zur Inanspruchnahme dieser Garantie ist dem Verkäufer bzw. der Vertragswerkstatt ein Kaufnachweis vorzulegen. Die Adresse der zuständigen Niederlassung von Black & Decker steht in dieser Anleitung. Dort teilt man Ihnen gerne die nächstgelegene Vertragswerkstatt mit. Außerdem ist eine Liste der Vertragswerkstätten und aller Kundendienststellen von Black & Decker sowie der zuständigen Ansprechpartner im Internet zu finden unter:

www.2helpU.com

Bitte besuchen Sie unsere Webseite

www.blackanddecker.de, um Ihr neues Black & Decker-Produkt zu registrieren. Dort erhalten Sie auch Informationen über neue Produkte und Sonderangebote. Weitere Informationen über die Marke Black & Decker und unsere Produkte finden Sie unter **www.blackanddecker.de**.

Utilisation

Votre démarreur portatif Black & Decker peut être utilisé comme source d'alimentation supplémentaire des batteries au plomb. Il permet le démarrage des moteurs de véhicule. Il est destiné à une utilisation exclusivement domestique.

Consignes de sécurité

Attention ! De simples précautions de sécurité sont à prendre pour l'utilisation d'appareil alimenté par batterie. Les conseils suivants doivent toujours être appliqués, ceci afin de réduire le risque d'incendie, les fuites de batterie, les blessures et les dommages matériels.

- ◆ Lisez attentivement et entièrement le manuel avant d'utiliser l'appareil.
- ◆ Ce manuel décrit comment utiliser cet appareil. L'utilisation d'un accessoire ou d'une fixation, ou bien l'utilisation de cet appareil à d'autres fins que celles recommandées dans ce manuel d'instruction peut présenter un risque de blessures.
- ◆ Gardez ce manuel pour référence ultérieure.

Utilisation de votre appareil

- ◆ Prenez toutes les précautions nécessaires pour utiliser l'appareil.
- ◆ Cet appareil n'est pas destiné à être utilisé par des personnes jeunes ou déficientes sans surveillance.
- ◆ Cet appareil ne doit pas être utilisé comme jouet.
- ◆ Il doit toujours être utilisé dans des endroits secs et en aucun cas être mouillé.
- ◆ Ne plongez pas l'appareil dans l'eau.
- ◆ N'ouvrez pas le boîtier. Il n'y a aucune pièce réparable par l'utilisateur à l'intérieur.
- ◆ N'utilisez pas l'appareil dans un environnement présentant des risques d'explosion, ni en présence de liquides, gaz ou poussières inflammables.
- ◆ Pour limiter le risque d'endommagement des prises et des fils électriques, ne débranchez jamais l'appareil en tirant sur le câble.

Après l'utilisation

- ◆ Quand il n'est pas utilisé, l'appareil doit être rangé dans un endroit suffisamment aéré, sec et hors de portée des enfants.
- ◆ Les enfants ne doivent pas avoir accès aux appareils rangés.
- ◆ Quand l'appareil est rangé ou transporté dans un véhicule, il doit être installé dans le coffre ou correctement calé pour éviter les mouvements dus aux changements de direction ou de vitesse.
- ◆ L'appareil doit être protégé de la lumière directe, de la chaleur et de l'humidité.

Vérification et réparations

- ◆ Avant l'utilisation, vérifiez si l'appareil est en bon état ou si aucune pièce ne manque. Recherchez des pièces cassées, des boutons endommagés et d'autres anomalies susceptibles de nuire au bon fonctionnement de l'appareil.
- ◆ N'utilisez pas l'appareil si une pièce est endommagée ou défectueuse.
- ◆ Faites réparer ou remplacer les pièces défectueuses ou endommagées par un réparateur agréé.
- ◆ Ne tentez jamais de retirer ou de remplacer des pièces autres que celles citées dans ce manuel.

Consignes de sécurité spécifiques aux chargeurs-démarrateurs portatifs

Les symboles suivants se trouvent sur l'appareil :



Lisez attentivement le manuel d'instruction complet.



LED – Alternateur en bon état



Témoin d'inversion de polarité.

- ◆ Les véhicules peuvent être munis de systèmes électriques et électroniques (comme par exemple, un système d'exploitation du moteur, un téléphone cellulaire) qui peuvent être endommagés en cas de tension de démarrage élevée et de crêtes de tension. Avant de brancher l'appareil sur le véhicule, vérifiez sur le guide du propriétaire du véhicule que le démarrage externe par câbles est autorisé.
- ◆ Suivez ces instructions, ainsi que celles publiées par le fabricant de batterie, du véhicule et de tout équipement utilisé avec cet appareil. Passez en revue les étiquettes d'avertissement se trouvant sur ces produits et sur le véhicule.
- ◆ Cet appareil n'est pas conçu pour remplacer la batterie du véhicule. N'essayez en aucun cas de faire fonctionner un véhicule si la batterie n'est pas installée.
- ◆ L'appareil ne peut être branché qu'à une batterie au plomb de 12 V. N'utilisez pas l'appareil pour charger des batteries à anode sèche généralement utilisées sur les appareils domestiques. Ces batteries peuvent exploser et provoquer des blessures ainsi que des dommages.

- ◆ Vérifiez la polarité des bornes de la batterie du véhicule avant de brancher l'appareil. Débranchez d'abord le fil volant négatif (noir), puis le fil volant positif (rouge).
- ◆ Quand l'appareil est en charge et quand il n'est pas utilisé, le bouton marche/arrêt doit être en position 0 avant de brancher une source d'alimentation ou une charge.
- ◆ Les pinces rouge et jaune ne doivent jamais être en contact et ne doivent jamais toucher un autre conducteur en métal. Ceci peut endommager l'appareil et/ou provoquer des étincelles/une explosion. Quand elles ne sont pas utilisées, rangez les pinces de batterie dans leur logement.
- ◆ Si cet appareil est utilisé à proximité de la batterie et du moteur du véhicule, posez-le à plat sur une surface stable. Assurez-vous que les pinces, fils, vêtements et parties du corps sont éloignés des pièces mobiles du véhicule.
- ◆ Cet appareil contient une batterie sans entretien. Il est recommandé de ranger, d'utiliser et de recharger l'appareil à plat.

Attention ! Des gaz explosifs peuvent se dégager des batteries au plomb pendant le chargement. Dans des conditions difficiles, une fuite peut même se produire. Avant d'utiliser l'appareil pour un démarrage ou un chargement, vérifiez que l'endroit est correctement aéré.

- ◆ Ne chargez pas l'appareil avec un connecteur 12 V si le véhicule est occupé. Assurez-vous que l'endroit est correctement aéré.
- ◆ Pour réduire le risque de choc électrique, débranchez l'appareil avant l'entretien ou le nettoyage. L'arrêt des commandes sans le débranchement de l'appareil, ne réduit pas ce risque.
- ◆ Assurez-vous que l'appareil n'est branché à aucune source d'alimentation de charge avant de commencer le processus avec l'appareil.
- ◆ N'essayez jamais d'utiliser en même temps, le chargeur c.a. et le raccord de charge c.c.

Consignes de sécurité supplémentaires concernant les batteries et les chargeurs

Batteries

- ◆ En aucun cas, n'essayez d'ouvrir l'appareil.
- ◆ Ne mettez pas la batterie en contact avec l'eau.
- ◆ Ne le rangez pas dans des endroits où la température peut dépasser 40°C.
- ◆ Ne chargez qu'à température ambiante comprise entre 4°C et 40°C.
- ◆ N'utilisez que les chargeurs fournis avec l'appareil.
- ◆ Pour jeter les batteries, suivez les instructions données dans la section "Protection de l'environnement".

- ◆ Dans des conditions extrêmes, il peut y avoir une fuite de batterie. Si vous détectez une fuite, utilisez un chiffon pour essuyer le liquide avec précaution. Évitez le contact avec la peau.
- ◆ En cas de contact avec la peau ou les yeux, suivez les instructions ci-dessous.

Attention ! Le liquide de batterie est un acide sulfurique dilué qui peut provoquer des blessures et des dommages. En cas de contact avec la peau, rincez immédiatement à l'eau. Si des rougeurs, une douleur ou une irritation se produisent, consultez un médecin. En cas de contact avec les yeux, rincez à l'eau et consultez immédiatement un médecin.

Chargeurs

La tension de votre chargeur est spécifique. Vérifiez toujours si la tension indiquée sur la plaque signalétique de l'appareil correspond à la tension de secteur.

Attention ! N'essayez jamais de remplacer le chargeur par une prise secteur.

N'utilisez votre chargeur Black & Decker que pour charger la batterie fournie avec l'appareil. D'autres batteries pourraient exploser, provoquant des blessures et des dommages.

- ◆ Ne tentez jamais de recharger des batteries non rechargeables.
- ◆ Remplacez immédiatement les fils électriques endommagés.
- ◆ N'approchez pas le chargeur de l'eau.
- ◆ N'ouvrez pas le chargeur.
- ◆ Ne testez pas le chargeur.

Placez la batterie dans un endroit correctement aéré pour la charger.



Transformateur avec isolation de sécurité.

- ◆ L'alimentation secteur est électriquement indépendante de la sortie du transformateur.



Le chargeur est automatiquement mis hors service si la température ambiante devient trop élevée. Il est alors impossible de l'utiliser. Débranchez la base du chargeur de l'alimentation secteur pour la faire réparer dans un centre agréé.



Lisez attentivement le manuel d'instruction complet.



Cet appareil est destiné à être utilisé exclusivement à l'extérieur.

Sécurité électrique



Cet appareil est doublement isolé; par conséquent, aucun câble de mise à la terre n'est nécessaire. Vérifiez si l'alimentation mentionnée sur la plaque signalétique de la machine correspond bien à la tension de réseau présente sur le lieu.

- ◆ Si le câble d'alimentation est endommagé, il doit être remplacé par le fabricant ou par un centre de réparation agréé Black & Decker pour éviter tout risque.

Options

Certains, ou tous, les éléments suivants sont compris avec cet appareil :

1. Lampe d'éclairage général
2. Pincettes en cuivre puissantes
3. Bouton marche/arrêt avec témoin lumineux
4. Témoin d'inversion de polarité
5. Câbles de démarrage
6. Adaptateur de charge au secteur
7. Bouton marche/arrêt
8. Poignée
9. Bouton d'état de la batterie
10. Voyants de charge de la batterie
11. Prise de charge 12 V c.c.
12. Supports de pince

UTILISATION

Charge de l'appareil (figure A)

À la livraison, cet appareil est en partie chargé.

- ◆ Avant la première utilisation, chargez l'appareil à l'aide de l'adaptateur de charge au secteur (6) pendant 48 heures.

Les batteries au plomb doivent être entretenues régulièrement pour obtenir la charge maximum et prolonger la durée de vie de la batterie. L'autodécharge des batteries entraîne avec le temps une perte d'efficacité. Ceci est accentué quand les températures sont élevées. Quand l'appareil n'est pas utilisé, Black & Decker recommande de charger la batterie au moins tous les 60 jours.

- ◆ Vérifiez le niveau de charge de la batterie en appuyant sur le bouton d'état de la batterie (9). Les voyants de charge (10) indiquent le niveau de charge de la batterie. Si un seul voyant rouge est allumé, chargez l'appareil.

Remarque : le chargement de la batterie après chaque utilisation prolonge la durée de vie de la batterie. Celle-ci sera réduite en cas de décharge importante fréquente entre les charges et/ou en cas de dépassement du temps de charge.

La batterie peut être chargée avec l'adaptateur de charge au secteur (6).

Charge avec le chargeur sur l'alimentation secteur (figure A)

Assurez-vous que le bouton marche/arrêt (7) est en position 0 et que le témoin lumineux (1) est éteint pendant le chargement de l'appareil.

Pendant le processus de charge, les voyants rouges s'allument alternativement.

- ◆ Continuez jusqu'à ce que les voyants verts indiquant que la charge est au maximum, s'allument.
- ◆ Continuez le chargement pendant une ou deux heures supplémentaires.

Remarque : l'adaptateur de charge au secteur ne doit pas être branché pendant plus de 60 heures.

- ◆ Une fois le chargement terminé, débranchez l'adaptateur de charge au secteur (6) et rangez-le dans un endroit sûr.

Utilisation de l'appareil comme démarreur (figure A – B)

Attention ! Le véhicule doit être au point mort avec le frein de stationnement serré.

Remarque : si les connexions sont incorrectes, l'appareil émet un bip continu et le témoin rouge d'inversion de polarité (4) s'allume, même si le bouton Marche/Arrêt (7) est en position Arrêt. Rectifiez immédiatement le branchement.

Attention ! Ne laissez aucun câble dans le passage des courroies ou du ventilateur.

1. Coupez le contact des véhicules et arrêtez tous les accessoires avant d'effectuer les branchements.
2. Assurez-vous que le bouton marche/arrêt (7) est en position Arrêt.
3. La procédure suivante est destinée à un système muni d'une prise de terre négative, ce qui signifie que la borne négative de la batterie est reliée au châssis.
4. Branchez la pince positive (+) rouge à la borne positive de la batterie du véhicule.
5. Branchez la pince négative (-) noire au châssis ou à un composant du véhicule en métal fixe ou à une pièce du châssis. Ne branchez jamais la pince sur la borne négative de la batterie ou sur une pièce mobile. Reportez-vous au manuel du véhicule.
6. Tournez le bouton Marche/Arrêt (7) en position Marche.
7. Faites démarrer le véhicule et lancez le moteur avec des impulsions de 3 à 6 secondes
- ◆ Si le moteur ne démarre pas dans les 6 secondes, laissez la batterie interne de l'appareil refroidir pendant 3 minutes avant de faire un autre essai.

8. Quand le véhicule démarre, tournez le bouton Marche/ Arrêt (7) en position Arrêt.
9. Laissez le moteur tourner.
10. Débranchez d'abord la pince noire (-) reliée au moteur ou au châssis, puis la pince rouge (+) reliée à la borne positive (+) de la batterie.
11. Rangez en enfonçant avec précaution le fil du câble de démarrage (noir) négatif dans la rainure en commençant par l'extrémité la plus éloignée de la pince.
12. Accrochez la pince (noire) négative sur le support (12).
13. Rangez en enfonçant avec précaution le fil du câble de démarrage (rouge) positif dans la rainure en commençant par l'extrémité la plus éloignée de la pince.
14. Accrochez la pince (rouge) positive sur le support (12).
15. Chargez l'appareil dès que possible.

Utilisation du témoin lumineux (figure A)

Le témoin lumineux (1) peut fonctionner pendant environ 50 heures si la charge est complète. La durée de vie du témoin lumineux est de 100 000 heures.

- ◆ Appuyez sur le bouton marche/arrêt (3) sur le dessus de l'appareil pour allumer l'éclairage de la zone de travail (1).
- ◆ Pour éteindre, appuyez de nouveau sur le bouton marche/arrêt (3).

Assurez-vous que l'éclairage de la zone de travail est éteint quand l'appareil est en charge ou rangé.

Entretien

Votre appareil Black & Decker a été conçu pour fonctionner pendant longtemps avec un minimum d'entretien.

Un fonctionnement continu satisfaisant dépend d'un nettoyage régulier et d'un entretien approprié de l'outil.

Attention ! Avant d'effectuer des réparations ou un nettoyage de l'appareil, débranchez-le.

- ◆ De temps en temps, passez un chiffon humide sur l'appareil. N'utilisez pas de produit abrasif ou à base de solvant. Ne plongez pas l'appareil dans l'eau.
- ◆ Après chaque utilisation, nettoyez les pinces de la batterie (2) et prenez soin d'éliminer tout le liquide de batterie pour éviter la formation de rouille sur les pinces (2).
- ◆ Nettoyez le boîtier extérieur du chargeur avec un chiffon et si nécessaire, ajoutez un mélange à base de savon doux.
- ◆ Ne laissez pas de liquide s'introduire dans le chargeur. N'utilisez pas le chargeur s'il est humide.
- ◆ Embobinez sans serrer les câbles du chargeur pour le ranger, ceci afin de ne pas endommager les câbles.

Protection de l'environnement



Recyclage. Cet appareil ne doit pas être jeté avec les déchets ménagers.

Si votre appareil Black & Decker doit être remplacé ou si vous n'en avez plus l'usage, ne le jetez pas avec les ordures ménagères. Songez à la protection de l'environnement et recyclez-les.



La collecte séparée des produits et des emballages usagés permet de recycler et de réutiliser des matériaux. La réutilisation de matériaux recyclés évite la pollution de l'environnement et réduit la demande de matières premières.

Des réglementations locales peuvent stipuler la collecte séparée des produits électriques et des produits ménagers, dans des déchetteries municipales ou par le revendeur lorsque vous achetez un nouveau produit.

Black & Decker offre une solution permettant de recycler les produits Black & Decker lorsqu'ils ont atteint la fin de leur cycle de vie. Pour pouvoir profiter de ce service, veuillez retourner votre produit à un réparateur agréé qui se chargera de le collecter pour nous.

Pour connaître l'adresse du réparateur agréé le plus proche de chez vous, contactez le bureau Black & Decker à l'adresse indiquée dans ce manuel. Vous pourrez aussi trouver une liste de réparateurs agréés de Black & Decker et de plus amples détails concernant notre service après-vente sur le site Internet : www.2helpU.com.



Les batteries au plomb peuvent être rechargées plusieurs fois. Quand elles sont hors d'usage, jetez-les en respectant les normes de protection de l'environnement.

- ◆ Ne jetez pas la batterie dans le feu, celle-ci pourrait exploser.
- ◆ Les batteries au plomb (Pb) sont recyclables. Elles ne doivent pas être jetées avec les déchets ménagers. La batterie doit être retirée et mise au rebut conformément aux réglementations locales.
- ◆ Ne court-circuitiez pas les bornes de la batterie.
- ◆ Tenez compte du fait qu'une batterie est lourde.
- ◆ Si possible, faites fonctionner l'appareil pour décharger complètement la batterie.

Placez la batterie dans un emballage approprié pour éviter un court-circuit des bornes.

Déposez la batterie chez un technicien d'entretien ou dans un centre de recyclage local. Elles seront ainsi recyclées ou mises au rebut de manière appropriée.

Caractéristiques techniques

		BDJS350	BDJS450
Batterie	Type	Batterie sans entretien 12 V 9 Ah	Batterie sans entretien 12 V 17 Ah
Sortie (instant)	A	350	450
Sortie (constante pendant 5 secondes)	A	200	300
Poids	kg	4,00	6,4
Chargeur de batterie			
Entrée	V c.a.	230	230
Charge approximative	h	48	48
Poids	kg	0,32	0,48

Déclaration de conformité CE

BDJS350/BDJS450

Black & Decker déclare que ces produits sont conformes à :
Normes & législation.
EN60335, 2006/95/EC

Le soussigné est responsable des données de la fiche technique et fait cette déclaration au nom de
Black & Decker.



Kevin Hewitt
Directeur Ingénierie Client
Spennymoor, County Durham, DL16 6JG,
Royaume-Uni
25-06-2008

- ◆ Le produit a subi des dommages à cause de corps étrangers, de substances ou d'accidents.
- ◆ Des réparations ont été tentées par des techniciens ne faisant pas partie du service technique de Black & Decker.

Pour avoir recours à la garantie, il est nécessaire de fournir une preuve d'achat au vendeur ou à un réparateur agréé. Pour connaître l'adresse du réparateur agréé le plus proche de chez vous, contactez le bureau Black & Decker à l'adresse indiquée dans ce manuel. Vous pourrez aussi trouver une liste de réparateurs agréés de Black & Decker et de plus amples détails concernant notre service après-vente sur le site Internet : www.2helpU.com

Visitez notre site Web www.blackanddecker.fr pour enregistrer votre nouveau produit Black & Decker et être informé des nouveaux produits et des offres spéciales. Pour plus d'informations concernant la marque Black & Decker et notre gamme de produits, consultez notre site www.blackanddecker.fr.

Garantie

Black & Decker vous assure la qualité de ses produits et vous offre une garantie très étendue. Ce certificat de garantie est un document supplémentaire et ne peut en aucun cas se substituer à vos droits légaux. La garantie est valable sur tout le territoire des États Membres de l'Union Européenne et de la Zone de Libre Échange Européenne.

Si un produit Black & Decker s'avère défectueux en raison de matériaux en mauvais état, d'une erreur humaine, ou d'un manque de conformité dans les 24 mois suivant la date d'achat, Black & Decker garantit le remplacement des pièces défectueuses, la réparation des produits usés ou cassés ou remplace ces produits à la convenance du client, sauf dans les circonstances suivantes :

- ◆ Le produit a été utilisé dans un but commercial, professionnel, ou a été loué.
- ◆ Le produit a été mal utilisé ou avec négligence.

Uso previsto

L'avviatore di emergenza Black & Decker è stato progettato per fornire un'alimentazione supplementare alle batterie al piombo per l'avviamento di motori automobilistici. Questo prodotto è stato progettato solo per uso domestico privato.

Istruzioni di sicurezza

Attenzione! Quando si usano elettrotensili alimentati a batteria, osservare sempre le normali precauzioni di sicurezza per ridurre il rischio di incendio, di perdita di liquido dalle batterie, di lesioni personali e di danni materiali.

- ◆ Leggere attentamente il presente manuale prima di usare l'elettrotensile.
- ◆ L'uso previsto è descritto nel presente manuale. Se questo elettrotensile viene usato con accessori o per usi diversi da quelli raccomandati nel presente manuale d'uso, si potrebbero verificare lesioni personali.
- ◆ Conservare il presente manuale per futura consultazione.

Utilizzo dell'elettrotensile

- ◆ Prestare sempre attenzione quando si usa l'elettrotensile.
- ◆ L'utilizzo di questo elettrotensile non è destinato a ragazzi o persone inferme senza supervisione.
- ◆ Questo elettrotensile non deve essere usato come un giocattolo.
- ◆ Usare solo in un luogo asciutto. Evitare che l'elettrotensile si bagni.
- ◆ Non immergere l'elettrotensile in acqua.
- ◆ Non aprire il corpo dell'elettrotensile, dato che al suo interno non vi sono componenti riparabili.
- ◆ Evitare d'impiegare questo apparecchio in ambienti esposti al rischio di esplosione, ad esempio in presenza di liquidi, gas o polveri infiammabili.
- ◆ Per ridurre il rischio di danni a spine o fili, non tirare mai il filo per scollegare la spina da una presa.

Dopo l'impiego

- ◆ Quando non viene usato, l'apparecchio deve essere conservato in un luogo asciutto e ben ventilato, fuori dalla portata dei bambini.
- ◆ Gli elettrotensili non devono essere riposti alla portata dei bambini.
- ◆ Se viene conservato o trasportato in un veicolo, l'apparecchio deve essere messo nel bagagliaio o legato per evitare che si sposti in caso di cambiamento repentino della velocità o della direzione di marcia.
- ◆ L'elettrotensile deve essere protetto dalla luce diretta del sole, dal calore e dall'umidità.

Ispezione e riparazioni

- ◆ Prima dell'impiego, controllare che l'elettrotensile non sia danneggiato e non presenti parti difettose. Controllare che non vi siano parti rotte, che gli interruttori non siano danneggiati e che non vi siano altre condizioni che potrebbero avere ripercussioni sulle prestazioni.
- ◆ Non usare l'elettrotensile se alcune parti sono danneggiate o difettose.
- ◆ Far riparare o sostituire le parti danneggiate o difettose da un tecnico autorizzato.
- ◆ Non tentare di smontare o sostituire qualsiasi parte ad eccezione di quelle specificate nel presente manuale.

Istruzioni di sicurezza specifiche per gli avviatori di emergenza

I seguenti simboli sono stampigliati sull'elettrotensile.



Leggere attentamente questo manuale d'uso nella sua totalità.



LED alternatore in ordine.



Indicatore di polarità inversa.

- ◆ I veicoli possono essere dotati di impianti elettrici e sistemi elettronici (ad esempio sistema di gestione motore, telefono cellulare) che potrebbero subire danni se soggetti a elevate tensioni di avviamento e a picchi di tensione. Prima di collegare l'elettrotensile al veicolo, leggere il manuale per il proprietario del veicolo per verificare se è possibile eseguire l'avviamento con avviatore di emergenza.
- ◆ Seguire queste istruzioni e quelle fornite dal fabbricante della batteria, da quello del veicolo e di qualsiasi altra apparecchiatura che si intende usare con questo elettrotensile. Tenere presenti le etichette di avvertimento presenti su questi prodotti e sul veicolo.
- ◆ Questo elettrotensile non è stato progettato per essere usato quale batteria automobilistica di ricambio. Non far funzionare un veicolo senza batteria installata.
- ◆ L'elettrotensile deve essere collegato solo a una batteria al piombo da 12 V. Non usare l'elettrotensile per caricare batterie con pile a secco, comunemente usate su elettrotensili, dato che queste batterie potrebbero scoppiare e causare lesioni alle persone e danni alle cose.

- ◆ Controllare la polarità dei morsetti della batteria del veicolo prima di collegare l'elettrotensile. Scollegare sempre per primo il cavo ausiliario negativo (nero), seguito da quello positivo (rosso).
- ◆ L'interruttore di accensione deve essere regolato su spento prima del collegamento a una fonte di alimentazione o a un carico, quando l'elettrotensile è sotto carica e quando non viene usato.
- ◆ Non lasciare mai che i morsetti rosso e nero si tocchino o vengano a contatto di un altro conduttore metallico comune, dato che potrebbero causare danni all'elettrotensile e/o pericolose scintille oppure essere causa di un'esplosione. Riporre sempre i morsetti negli appositi foderi incorporati quando non sono usati.
- ◆ Quando si usa l'elettrotensile in prossimità della batteria del veicolo e del motore, appoggiarlo su di una superficie piana e stabile e tenere conduttori, abbigliamento e parti del corpo lontani dalle parti in movimento del veicolo.
- ◆ Questo elettrotensile contiene una batteria al piombo sigillata. Si consiglia di posizionare l'elettrotensile in posizione orizzontale durante lo stoccaggio, l'utilizzo e la carica.

Attenzione! Le batterie al piombo possono esalare gas esplosivi durante la carica e in condizioni estreme si possono verificare perdite di acido dalla batteria. Accertarsi che la zona sia ben ventilata durante le procedure di avviamento con cavi ausiliari.

- ◆ Non caricare l'elettrotensile usando un connettore da 12 V se vi sono passeggeri nel veicolo. Accertarsi che la zona sia ben ventilata.
- ◆ Per ridurre il rischio di scosse elettriche, scollegare l'elettrotensile e la fonte di alimentazione prima di iniziare la manutenzione o la pulitura. Lo spegnimento dei comandi, senza aver scollegato l'elettrotensile, non riduce questo rischio.
- ◆ Accertarsi che l'elettrotensile sia scollegato da tutte le fonti di alimentazione prima di iniziare la procedura di avviamento con cavi ausiliari.
- ◆ Non cercare mai di usare simultaneamente un alimentatore c.a. e un collegamento di carica c.c.

Istruzioni di sicurezza aggiuntive per batterie alimentatori

Batterie

- ◆ Non tentare di aprirle per nessuna ragione.
- ◆ Evitare che la batteria si bagni.
- ◆ Non riporre in luoghi dove la temperatura potrebbe superare i 40°C.
- ◆ Caricare solo a temperature ambiente tra 4°C e 40°C.

- ◆ Caricare solo usando gli alimentatori forniti con l'apparecchio.
- ◆ Quando si smaltiscono le batterie, seguire le istruzioni riportate al capitolo "Protezione dell'ambiente".
- ◆ In condizioni estreme, si potrebbe verificare la perdita di liquido dalle batterie. Se si nota la presenza di liquido sulle batterie, pulirle con attenzione con uno straccio. Evitare il contatto con l'epidermide.
- ◆ In caso di contatto con la pelle o gli occhi, seguire le istruzioni riportate di seguito.

Attenzione! Il liquido della batteria è un acido solforico diluito e può causare lesioni alle persone e danni alle cose. In caso di contatto con la pelle, risciacquare immediatamente con acqua. In caso di rossore, dolore o irritazione, rivolgersi immediatamente ad un medico. In caso di contatto con gli occhi, risciacquarli immediatamente con acqua pulita e consultare subito un medico.

Alimentatore

L'alimentatore è stato progettato per una tensione specifica. Controllare sempre che la tensione di rete corrisponda alla tensione indicata sulla targhetta dati.

Attenzione! Non tentare mai di sostituire l'alimentatore con una normale spina elettrica.

Usare l'alimentatore Black & Decker solo per caricare la batteria nell'apparecchio con il quale è stato fornito. Altre batterie potrebbero scoppiare causando lesioni alle persone e danni.

- ◆ Non tentare mai di caricare batterie non ricaricabili.
- ◆ Fare sostituire immediatamente i fili di alimentazione difettosi.
- ◆ Evitare che l'alimentatore si bagni.
- ◆ Non aprire l'alimentatore.
- ◆ Non collegare l'alimentatore a sonde.

La batteria deve essere lasciata in una zona ben ventilata durante la carica.



Trasformatore di isolamento con protezione incorporata. L'alimentazione di rete è separata elettricamente dall'erogazione del trasformatore.



L'alimentatore si spegne automaticamente se la temperatura ambiente aumenta eccessivamente. Di conseguenza l'alimentatore diventa inutilizzabile. In questi casi la base di carica deve essere scollegata dall'alimentazione di rete e portata presso un centro di assistenza autorizzato per le necessarie riparazioni.



Leggere attentamente questo manuale d'uso nella sua totalità.



Questo elettroutensile è stato progettato solo per uso all'interno.

Sicurezza elettrica



Il doppio isolamento di cui è provvisto l'elettroutensile rende superfluo il filo di terra. Controllare sempre che l'alimentazione corrisponda alla tensione indicata sulla targhetta delle caratteristiche.

- ◆ In caso di danneggiamento del filo di alimentazione, è necessario farlo riparare dal fabbricante o presso un centro assistenza Black & Decker autorizzato in modo da evitare eventuali pericoli.

Caratteristiche

Questo elettroutensile è dotato di:

1. Luce a LED
2. Morsetti in rame per servizio gravoso
3. Interruttore di accensione luce a LED
4. Indicatore di polarità inversa
5. Cavi ausiliari
6. Alimentatore
7. Interruttore di accensione
8. Maniglia
9. Pulsante stato batteria
10. LED stato batteria
11. Presa per carica da 12 V c.c.
12. Portamorsetti

USO

Carica dell'elettroutensile (fig. A)

Questo elettroutensile viene spedito semicarico.

- ◆ Caricare l'elettroutensile per 48 ore prima del primo impiego, usando l'alimentatore.

Le batterie al piombo richiedono una regolare manutenzione per garantire una carica completa e una lunga durata. Tutte le batterie perdono energia col passare del tempo, a causa dell'autoscarica, e in modo più rapido con temperature più elevate. Se non si utilizza l'elettroutensile, Black & Decker consiglia di caricare la batteria almeno ogni 60 giorni.

- ◆ Controllare il livello di carica della batteria premendo il pulsante di stato della batteria (9). Il LED dello stato di carica (10) indica il livello di carica della batteria. Se si accende solo un LED, caricare l'elettroutensile.

Nota: La carica della batteria dopo ciascun impiego ne prolunga la durata; mentre la scarica frequente e totale tra le cariche e/o una carica eccessiva riducono la durata della batteria.

La batteria può essere caricata usando l'alimentatore (6).

Carica dell'elettroutensile con un alimentatore (fig. A)

Accertarsi che l'interruttore di accensione (7) e la luce a LED (1) siano spenti durante la carica dell'elettroutensile.

Con il progredire della carica, i LED rossi si accendono uno alla volta.

- ◆ Caricare l'elettroutensile fino a quando si accende il LED DI CARICA COMPLETA verde.
- ◆ Continuare a caricare ancora per una o due ore.

Nota: Non caricare dall'alimentazione di rete per più di 60 ore.

- ◆ A carica ultimata, scollegare l'alimentatore (6) e conservarlo in un luogo sicuro.

Utilizzo dell'elettroutensile quale avviatore di emergenza (figg. A e B)

Attenzione! Verificare che il veicolo sia in folle con il freno di stazionamento azionato.

Nota: Se i collegamenti sono stati eseguiti in modo errato, l'elettroutensile emettere un suono continuo e l'indicatore di polarità inversa rosso (8) si accende, anche se l'interruttore di accensione (7) è spento. Rettificare immediatamente i collegamenti.

Attenzione! Verificare che i cavi non intralcino il percorso delle cinghie o dell'elettroventola in movimento.

1. Disinserire l'accensione del veicolo e tutti gli accessori prima di effettuare qualsiasi collegamento.
2. Verificare che l'interruttore di accensione (7) dell'elettroutensile sia spento.
3. La procedura riportata di seguito è valida per impianti con terra negativa, vale a dire che il morsetto negativo della batteria è collegato all'autotelaio.
4. Collegare il morsetto positivo (+) rosso al morsetto positivo della batteria del veicolo.
5. Collegare il morsetto negativo (-) nero all'autotelaio o a un componente solido e fisso del veicolo o dell'autotelaio. Non collegare mai direttamente al morsetto negativo della batteria o a una parte in movimento. Consultare il manuale d'uso della macchina.
6. Accendere l'interruttore (7) dell'elettroutensile.
7. Avviare il veicolo e trascinare il motore per brevi periodi di 3-6 secondi.
- ◆ Se il motore non si avvia entro 6 secondi, lasciar raffreddare per 3 minuti la batteria interna dell'elettroutensile prima di tentare di nuovo.

8. Quando il veicolo si avvia, spegnere l'interruttore (7) dell'elettrotensile.
9. Lasciare acceso il motore del veicolo.
10. Scollegare per primo il morsetto nero (-) collegato al motore o all'autotelaio, seguito dal morsetto rosso (+) collegato al morsetto positivo (+) della batteria.
11. Premere con attenzione il cavo ausiliario negativo (nero) nella canalina portacavo, partendo dall'estremità opposta a quella con il morsetto.
12. Serrare il morsetto negativo (nero) sul portamorsetto (12).
13. Premere con attenzione il cavo ausiliario positivo (rosso) nella canalina portacavo, partendo dall'estremità opposta a quella con il morsetto.
14. Serrare il morsetto positivo (rosso) sul portamorsetto (12).
15. Caricare l'elettrotensile non appena possibile.

Utilizzo della luce a LED (fig. A)

La luce a LED (1) funziona per un massimo di 50 ore se la carica è completa. La durata utile della luce a LED è di 100.000 ore.

- ◆ Per l'accensione della luce a LED (1), premere il rispettivo pulsante di accensione (3) sul pannello superiore dell'elettrotensile.
- ◆ Per spegnere la luce a LED (1), premere di nuovo il rispettivo pulsante (3).

Accertarsi che la luce a LED sia spenta quando si carica l'elettrotensile o lo si mette via.

Manutenzione

Questo elettrotensile Black & Decker è stato progettato per funzionare a lungo con un minimo di manutenzione.

Per ottenere prestazioni sempre soddisfacenti occorre avere cura dell'elettrotensile e sottoporlo a manutenzione periodica.

Attenzione! Prima di eseguire la manutenzione dell'elettrotensile oppure di pulirlo, scollegarlo dalla presa di corrente.

- ◆ Strofinare di tanto in tanto l'elettrotensile con un panno umido. Non usare materiali abrasivi o detergenti a base di solventi. Non immergere l'elettrotensile in acqua.
- ◆ Dopo ogni uso, pulire i morsetti della batteria (2) e accertarsi di aver pulito via il liquido della batteria che corroderebbe i morsetti (2).
- ◆ Pulire l'esterno del caricabatterie con un panno morbido e, se necessario, con acqua e sapone neutro.
- ◆ Non permettere la penetrazione di liquido nel caricabatterie. Non usare il caricabatterie quando è bagnato.

- ◆ Avvolgere lascamente i cavi del caricabatterie quando vengono riposti per evitare che subiscano danni.

Protezione dell'ambiente



Raccolta differenziata. Questo prodotto non deve essere smaltito con i normali rifiuti domestici.

Nel caso in cui l'elettrotensile Black & Decker debba essere sostituito o non sia più necessario, non smaltirlo con i normali rifiuti domestici. Metterlo da parte per la raccolta differenziata.



La raccolta differenziata dei prodotti e degli imballaggi utilizzati consente il riciclaggio dei materiali e il loro continuo utilizzo. Il riutilizzo dei materiali riciclati favorisce la protezione dell'ambiente prevenendo l'inquinamento e riduce il fabbisogno di materie prime.

Seguire la regolamentazione locale per la raccolta differenziata dei prodotti elettrici che può prevedere punti di raccolta o la consegna dell'elettrotensile al rivenditore presso il quale viene acquistato un nuovo prodotto.

Black & Decker offre ai suoi clienti la possibilità di riciclare i prodotti Black & Decker che hanno esaurito la loro vita di servizio. Per usufruire di tale servizio, è sufficiente restituire il prodotto a qualsiasi tecnico autorizzato, incaricato della raccolta per conto dell'azienda.

Per individuare il tecnico autorizzato più vicino, rivolgersi alla sede Black & Decker locale, presso il recapito indicato nel presente manuale. In alternativa, un elenco completo di tutti i tecnici autorizzati Black & Decker e i dettagli completi sui contatti e i servizi post-vendita sono disponibili su Internet presso: **www.2helpU.com**.



Le batterie al piombo possono essere ricaricate molte volte. Alla fine della loro vita utile, smaltirle in conformità alle norme ambientali.

- ◆ Non smaltire le batterie bruciandole dato che si potrebbe causare un'esplosione.
- ◆ Le batterie al piombo (Pb) sono riciclabili. Esse non devono essere smaltite con i normali rifiuti domestici. La batteria deve essere smontata e smaltita in base ai regolamenti in vigore.
- ◆ Non cortocircuitare i terminali della batteria.
- ◆ Fare attenzione dato che la batteria è pesante.
- ◆ Se possibile, far funzionare l'apparecchio in modo da scaricare del tutto la batteria.

Imballare la batteria in modo idoneo per evitare che i terminali possano essere cortocircuitati.

Portare la batteria da un rivenditore autorizzato o presso un centro di riciclaggio di zona. Le batterie raccolte verranno riciclate oppure smaltite in modo adeguato.

Dati tecnici

	BDJS350	BDJS450
Batteria	Tipo 12 V 9 A/h sigillata al piombo	12 V 17 A/h sigillata al piombo
Erogazione (di spunto)	A 350	450
Erogazione (continua per 5 secondi)	A 200	300
Peso	kg 4,00	6,4
Alimentatore		
Ingresso	V 230 c.a.	230
Tempo di carica approssimativo	h 48	48
Peso	kg 0,32	0,48

Dichiarazione CE di conformità

BDJS350/BDJS450

Black & Decker dichiara che i presenti prodotti sono conformi a:

Norme e leggi.
EN60335, 2006/95/EC

Il sottoscritto è responsabile della redazione di questo documento tecnico e fa questa dichiarazione per conto di Black & Decker.



Kevin Hewitt
Direttore tecnico prodotti di consumo
Spennymoor, County Durham DL16 6JG,
Regno Unito
25-06-2008

Se un prodotto Black & Decker risulta difettoso per qualità del materiale, della costruzione o per mancata conformità entro 24 mesi dalla data di acquisto, Black & Decker garantisce la sostituzione delle parti difettose, provvede alla riparazione dei prodotti se ragionevolmente usurati oppure alla loro sostituzione, in modo da ridurre al minimo il disagio del cliente a meno che:

- ◆ Il prodotto non sia stato destinato ad usi commerciali, professionali o al noleggio;
- ◆ Il prodotto non sia stato usato in modo improprio o scorretto;
- ◆ Il prodotto non abbia subito danni causati da oggetti o sostanze estranee oppure incidenti;
- ◆ Il prodotto non abbia subito tentativi di riparazione non effettuati da tecnici autorizzati né dall'assistenza Black & Decker.

Per attivare la garanzia è necessario esibire la prova di acquisto al venditore o al tecnico autorizzato. Per individuare il tecnico autorizzato più vicino, rivolgersi alla sede Black & Decker locale, presso il recapito indicato nel presente manuale. Altrimenti un elenco completo di tutti i tecnici autorizzati Black & Decker e i dettagli completi sui contatti e i servizi post-vendita sono disponibili su Internet presso: www.2helpU.com

I clienti che desiderano registrare il nuovo prodotto Black & Decker e ricevere gli aggiornamenti sui nuovi prodotti e le offerte speciali, sono invitati a visitare il sito Web (www.blackanddecker.it). Ulteriori informazioni sul marchio e la gamma di prodotti Black & Decker sono disponibili all'indirizzo www.blackanddecker.it.

Garanzia

Certa della qualità dei suoi prodotti, Black & Decker offre una garanzia eccezionale. Il presente certificato di garanzia è complementare ai diritti legali e non li pregiudica in alcun modo. La garanzia è valida entro il territorio degli Stati membri dell'Unione Europea e dell'EFTA (European Free Trade Area).

Beoogd gebruik

De jumpstarter van Black & Decker is ontworpen voor de toevoeging van extra vermogen aan loodzuuraccu's bij het opstarten van de automotor. Het product is uitsluitend bestemd voor huishoudelijk consumentengebruik.

Veiligheidsinstructies

Waarschuwing! Bij apparaten voor gebruik op accu's moeten bepaalde elementaire voorzorgsmaatregelen, waaronder de navolgende, altijd in acht worden genomen om het gevaar voor brand, lekkende accu's, persoonlijk letsel en materiële schade tot een minimum te beperken.

- ◆ Lees deze handleiding zorgvuldig door voordat u het apparaat in gebruik neemt.
- ◆ In deze handleiding wordt ingegaan op het beoogde gebruik. Het gebruik van andere accessoires of hulpstukken dan wel de uitvoering van andere handelingen dan in deze gebruikershandleiding worden aanbevolen, kan tot persoonlijk letsel leiden.
- ◆ Bewaar deze handleiding zorgvuldig zodat u deze altijd nog eens kunt raadplegen.

Gebruik van het apparaat

- ◆ Ga bij gebruik van het apparaat altijd voorzichtig te werk.
- ◆ Dit apparaat mag niet zonder supervisie door jonge of lichamelijk zwakke mensen worden gebruikt.
- ◆ Het apparaat mag niet als speelgoed worden gebruikt.
- ◆ Gebruik het apparaat alleen in een droge locatie. Het apparaat mag niet nat worden.
- ◆ Dompel het apparaat niet onder in water.
- ◆ Open de behuizing niet. Het apparaat bevat geen onderdelen die door de gebruiker kunnen worden gerepareerd.
- ◆ Gebruik het apparaat niet in een omgeving met explosiegevaar, zoals in de nabijheid van brandbare vloeistoffen, gasen of stof.
- ◆ Haal de stekker nooit uit het stopcontact door aan de kabel te trekken. Zo voorkomt u beschadiging aan de stekker of de kabel.

Na gebruik

- ◆ Bewaar het apparaat na gebruik op een droge, goed geventileerde plaats, buiten het bereik van kinderen.
- ◆ Zorg dat het bewaarde apparaat niet toegankelijk is voor kinderen.
- ◆ Wanneer het apparaat in de auto ligt, moet u het apparaat in de kofferruimte plaatsen of goed vastzetten, zodat het apparaat niet kan wegschieten bij plotselinge veranderingen in snelheid of richting.
- ◆ Bescherm het apparaat tegen direct zonlicht, hitte en vocht.

Inspectie en reparaties

- ◆ Controleer het apparaat vóór gebruik op beschadigingen en defecten. Controleer het vooral op gebroken onderdelen, schade aan de schakelaars en andere omstandigheden die de werking ervan kunnen beïnvloeden.
- ◆ Gebruik het apparaat niet in geval van een of meer beschadigde of defecte onderdelen.
- ◆ Laat beschadigde of defecte onderdelen door een van onze servicecentra repareren of vervangen.
- ◆ Probeer nooit andere onderdelen te verwijderen of vervangen dan in deze handleiding zijn vermeld.

Veiligheidsinstructies voor jumpstarters

Het apparaat is voorzien van de volgende symbolen:



Lees de gehele gebruiksaanwijzing zorgvuldig door.



LED Wisselstroomdynamo goed.



Indicator voor omgekeerde polariteit.

- ◆ Voertuigen kunnen zijn voorzien van elektrische en elektronische systemen (bijvoorbeeld een motorbeheersysteem, mobiele telefoon) die beschadigd kunnen raken als ze worden blootgesteld aan hoge voltages en spanningspieken. Lees voordat u het apparaat op het voertuig aansluit, de gebruikershandleiding van het voertuig door om na te gaan of u assistentie van een technicus nodig hebt.
- ◆ Volg deze instructies en de instructies van de fabrikant van de accu, het voertuig en de overige apparatuur die u bij dit apparaat wilt gebruiken. Let op de waarschuwingslabels op deze producten en op het voertuig.
- ◆ Dit apparaat kan niet als vervanging van de accu in het voertuig worden gebruikt. Start het voertuig alleen als er een accu in is geplaatst.
- ◆ Sluit het apparaat alleen aan op een 12V-loodzuurbatterij. Gebruik het apparaat niet voor het opladen van droge batterijen die in huishoudelijke apparaten worden gebruikt. Deze batterijen kunnen exploderen en personen verwonden en schade aanrichten.

- ◆ Controleer de polariteit van de accupolen van het voertuig voordat u het apparaat aansluit. Sluit altijd eerst de negatieve (zwarte) accukabel aan. Sluit vervolgens de positieve (rode) accukabel aan.
- ◆ Voordat u het apparaat op een voedingsbron aansluit of gaat opladen, moet u eerst de aan-uitschakelaar op de stand OFF zetten.
- ◆ De rode en zwarte klemmen mogen elkaar nooit raken of ander metaal aanraken. Hierdoor kan het apparaat beschadigd raken en/of kan gevaar voor brand of ontploffing ontstaan. Bevestig de batterijklemmen altijd aan de houders wanneer u de klemmen niet gebruikt.
- ◆ Als u dit apparaat in de buurt van de accu en motor van een voertuig gebruikt, moet u het apparaat op een vlakke, stabiele ondergrond plaatsen en klemmen, kabels, kleding en lichaamsdelen uit de buurt houden van bewegende onderdelen van het voertuig.
- ◆ Dit apparaat bevat een afgedichte loodzuuraccu. Het dient aanbeveling het apparaat vlak neer te leggen tijdens opslag, gebruik en opladen.

Waarschuwing! Tijdens het opladen kan er explosief gas uit de loodzuurbatterijen ontsnappen en onder extreme omstandigheden kan de batterij gaan lekken. Zorg voor een goede ventilatie in de ruimte waar u de accu gebruikt en oplaadt.

- ◆ Gebruik geen 12V-aansluiting voor het opladen van het apparaat als het voertuig wordt gebruikt. Zorg voor een goede ventilatie van de ruimte.
- ◆ Koppel het apparaat los als u het gaat reinigen of onderhouden om kans op elektrische schokken te voorkomen. U kunt dit niet voorkomen door alleen de knoppen uit te schakelen.
- ◆ Controleer voordat u met de procedure voor het opladen van de accu begint, of het apparaat niet op een voedingsbron is aangesloten.
- ◆ De wisselstroomlader en de oplaadaansluiting met gelijkstroom mogen nooit tegelijkertijd worden aangesloten.

Aanvullende veiligheidsinstructies voor accu's en laders

Accu's

- ◆ Probeer accu's niet te openen, om welke reden ook.
- ◆ Stel de accu niet bloot aan water.
- ◆ Bewaar de accu niet op locaties met een temperatuur hoger dan 40°C.
- ◆ Uitsluitend opladen in omgevingstemperaturen van 4°C tot 40°C.
- ◆ Gebruik alleen de lader die bij het apparaat is geleverd.
- ◆ Gooi lege accu's weg volgens de instructies in het gedeelte "Milieu".

- ◆ Onder extreme omstandigheden kunnen accu's lekkages vertonen. Wanneer de accu's nat of vochtig zijn, veegt u de vloeistof voorzichtig af met een doek. Vermijd huidcontact.
- ◆ Bij huid- of oogcontact volgt u de onderstaande instructies.

Waarschuwing! De accuvloeistof is verdund zwavelzuur en kan letsel of materiële schade veroorzaken. Bij huidcontact moet u de vloeistof direct afspoelen met water. Raadpleeg uw huisarts als er rode vlekken ontstaan of bij een pijnlijke geïrriteerde huid. Als de vloeistof in uw ogen komt, moet u uw ogen direct uitspoelen met water en onmiddellijk uw huisarts raadplegen.

Laders

De lader is ontworpen voor een specifieke spanning. Controleer altijd of de netspanning overeenkomt met de waarde op het typeplaatje.

Waarschuwing! Probeer nooit om de oplaadeenheid door een normale stekker te vervangen.

Gebruik de lader van Black & Decker alleen voor de accu's in het apparaat waarbij de lader is bijgeleverd. Andere accu's kunnen exploderen met letsel en materiële schade tot gevolg.

- ◆ Niet-laadbare accu's mogen nooit worden opgeladen.
- ◆ Een defect snoer moet direct worden vervangen.
- ◆ Stel de lader niet bloot aan water.
- ◆ Open de lader niet.
- ◆ Prik nooit met een scherp voorwerp in de lader.

Laad de accu in een goed geventileerde locatie.



Storingsvrije scheidingstransformator. De F netspanning is elektrisch van de transformatoruitgang gescheiden.



De lader wordt automatisch uitgeschakeld als de omgevingstemperatuur te ver oploopt. Hierdoor zal de lader onbruikbaar worden. Neem de lader in dat geval uit het stopcontact en laat deze door een erkend servicecentrum repareren.



Lees de gehele gebruiksaanwijzing zorgvuldig door.



Dit apparaat is alleen bestemd voor gebruik binnenshuis.

Elektrische veiligheid



Dit apparaat is dubbel geïsoleerd; een aardaansluiting is daarom niet noodzakelijk. Controleer altijd of uw netspanning overeenkomt met de waarde op het typeplaatje.

- ◆ Als het netsnoer is beschadigd, moet dit worden vervangen door de fabrikant of een Black & Decker-servicecentrum om gevaren te voorkomen.

Onderdelen

Het apparaat kan de volgende onderdelen bevatten:

1. LED-lampje voor AREA
2. Zware koperen klemmen
3. Aan-uitschakelaar van het LED-lampje voor AREA
4. Indicator voor omgekeerde polariteit
5. Accukabels
6. Wisselstroomlader
7. Aan-uitschakelaar
8. Draagbeugel
9. Knop voor accustatus
10. LED-lampjes voor accustatus
11. Aansluiting voor lader (12V-gelijkstroom)
12. Klemhouders

GEBRUIK

Het apparaat opladen (fig. A)

Bij aanschaf is het apparaat gedeeltelijk opgeladen.

- ◆ Voordat u het apparaat voor de eerste keer gaat gebruiken, moet u het eerst 48 uur opladen met de wisselstroomlader (6).

U moet de loodzuurbatterijen regelmatig controleren om er zeker van te zijn dat de batterijen goed worden opgeladen en lang meegaan. Alle batterijen verliezen stroom door zelfontlading. Bij hoge temperaturen gebeurt dit nog sneller. Laad wanneer u het apparaat niet gebruikt, de batterij minstens elke 60 dagen op.

- ◆ Controleer het accuniveau door op de accustatusknop (9) te drukken. Het LED-lampje van de laadstatus (10) geeft aan hoeveel de batterij is opgeladen. Als er slechts één rood LED-lampje brandt, moet u het apparaat opladen.

Opmerking: De batterij gaat langer mee als u deze na gebruik weer oplaadt. De levensduur van de batterij wordt bekok als u deze te veel uitput of de batterij te lang oplaadt.

De accu kan met gebruik van de netadapter worden opgeladen (6).

Het apparaat met de wisselstroomlader opladen (fig. A)

Als de eenheid wordt opgeladen, moeten de aan-uitschakelaar (7) en het LED-lampje voor AREA (1) zijn uitgeschakeld.

Tijdens het opladen gaan de rode LED-lampjes één voor één branden.

- ◆ Laad het apparaat op totdat het groene lampje brandt.
- ◆ Laad het apparaat dan nog een of twee uur op.

Opmerking: De netadapter mag niet langer dan 60 uur aangesloten zijn.

- ◆ Trek na het laden de wisselstroomlader (6) uit het stopcontact en berg de adapter op.

Gebruik van het apparaat als jumpstarter (fig. A & B)

Waarschuwing! Zorg ervoor dat het voertuig in z'n vrij staat met aangetrokken handrem.

Opmerking: Indien het apparaat verkeerd is aangesloten is een voortdurend geluidssignaal hoorbaar en gaat de rode ompoolindicator (4) branden; ook wanneer de aan- en uitschakelaar (7) op OFF staat. De aansluitingen dienen onmiddellijk te worden hersteld.

Waarschuwing! Leg de kabels niet in de buurt van de aandrijfriem of de ventilator.

1. Schakel het contact van de boot of het voertuig en alle eventuele hulpstukken uit voordat u de accuboosteroor de accu aansluit.
2. Zorg ervoor dat de aan- en uitschakelaar (7) van het apparaat is uitgeschakeld.
3. De volgende procedure geldt voor een systeem met negatieve aarde, dat wil zeggen dat de negatieve accupool is verbonden met het chassis.
4. Sluit de positieve rode klem (+) aan op de positieve accupool.
5. Sluit de negatieve (-) zwarte klem aan op het chassis of op een stevig niet bewegend metalen component of chassisonderdeel van het voertuig. Sluit de accuklem nooit rechtstreeks aan op de negatieve pool van de accu of op een bewegend onderdeel. Raadpleeg de eigenaarhandleiding van de auto.
6. Schakel de aan- en uitschakelaar (7) van het apparaat in.
7. Start het voertuig en zwengel de motor met pogingen van 3 tot 6 seconden aan.
- ◆ Indien de motor niet binnen 6 seconden start, laat dan de interne accu van het apparaat 3 minuten lang afkoelen voordat een nieuwe poging wordt ondernomen.

8. Wanneer het voertuig opstart moet de aan- en uitschakelaar (7) van het apparaat worden uitgeschakeld.
9. Laat de motor van het voertuig draaien.
10. Maak eerst de (-) zwarte klem die op de motor of het chassis is aangesloten los, gevolgd door de (+) klem die op de positieve (+) pool van de accu is aangesloten.
11. Duw de zwarte kabel (negatief) voorzichtig in de daarvoor bestemde ruimte, te beginnen bij het uiteinde waar geen klem zit.
12. Sluit de negatieve (zwarte) klem aan op de klemhouder (12).
13. Duw de rode kabel (negatief) voorzichtig in de daarvoor bestemde ruimte, te beginnen bij het uiteinde waar geen klem zit.
14. Sluit de positieve (rode) klem aan op de klemhouder (12).
15. Laad het apparaat zo snel mogelijk op.

Het LED-lampje voor AREA gebruiken (fig. A)

De LED-verlichting (1) werkt maximaal 50 uur wanneer de accu volledig is opgeladen. De werkingsduur van de LED-verlichting bedraagt 100.000 uur.

- ◆ Druk op de aan/uit toets van de LED-verlichting (8) op het bovenste paneel van het apparaat om de LED-verlichting (1) in te schakelen.
- ◆ Druk nogmaals op de aan/uit toets van de LED-verlichting (8) om de LED-verlichting (1) uit te schakelen.

Zorg ervoor dat het LED-lampje voor AREA is uitgeschakeld wanneer het apparaat wordt opgeladen of is opgeborgen.

Onderhoud

Uw Black & Decker-gereedschap/apparaat is ontworpen om gedurende langere periode te functioneren met een minimum aan onderhoud.

U kunt het gereedschap naar volle tevredenheid blijven gebruiken als u voor correct onderhoud zorgt en het gereedschap regelmatig schoonmaakt.

Waarschuwing! Verwijder altijd de stekker uit het stopcontact voordat u onderhouds- of reinigingswerkzaamheden aan het gereedschap/apparaat uitvoert.

- ◆ Neem het apparaat van tijd tot tijd af met een vochtige doek. Gebruik geen schuur- of oplosmiddel. Dompel het apparaat niet onder in water.
- ◆ Reinig na elk gebruik de accuklemmen (2) en verwijder eventuele accuvloeistof die corrosie van de klemmen (2) veroorzaakt.
- ◆ Reinig de buitenkant van de acculader met een zachte doek en, indien nodig, een zachte-zeepoplossing.

- ◆ Zorg ervoor dat er geen vloeistof in de acculader komt. Gebruik de acculader niet wanneer deze nat is.
- ◆ Bewaar de kabels van de acculader in lussen om schade aan de kabels te voorkomen.

Milieu



Aparte inzameling. Dit product mag niet met normaal huishoudelijk afval worden weggegooid.

Mocht u op een dag constateren dat het Black & Decker-product aan vervanging toe is of dat u het apparaat niet meer nodig hebt, gooi het product dan niet bij het restafval. Het product valt onder de categorie voor elektrische apparaten.



Gescheiden inzameling van gebruikte producten en verpakkingsmaterialen maakt het mogelijk materialen te recyclen en opnieuw te gebruiken. Hergebruik van gerecycleerde materialen zorgt voor minder milieuvervuiling en dringt de vraag naar grondstoffen terug.

Plaatselijke verordeningen kunnen voorzien in gescheiden inzameling van huishoudelijke elektrische producten via gemeentelijke stortplaatsen of via de leverancier bij wie u een nieuw product aanschaft.

Black & Decker biedt de mogelijkheid tot het recyclen van afgedankte Black & Decker-producten. Om gebruik te maken van deze service, dient u het product naar een van onze servicecentra te sturen, die de inzameling voor ons verzorgen.

U kunt het adres van het dichtstbijzijnde servicecentrum opvragen via de adressen op de achterzijde van deze handleiding. U kunt ook een lijst van onze servicecentra en meer informatie over onze klantenservice vinden op het volgende internetadres: www.2helpU.com.



Loodzuuraccu's kunnen veelvuldig worden herladen. Gooi afgedankte accu's op verantwoorde wijze weg:

- ◆ Gooi de accu niet in vuur omdat dat tot een explosie kan leiden.
- ◆ Loodzuuraccu's (Pb) kunnen worden gerecycled. Ze mogen niet met huishoudelijk afval worden weggegooid. De accu moet in overeenstemming met plaatselijke verordeningen worden verwijderd en weggegooid.
- ◆ Maak geen kortsluiting tussen de accupolen.
- ◆ Vergeet niet dat de accu zwaar is.
- ◆ Gebruik het apparaat indien mogelijk om de accu volledig leeg te maken.

Plaats de accu in een geschikte verpakking om ervoor te zorgen dat er geen kortsluiting tussen de polen kan ontstaan.

Breng de accu naar uw servicecentrum of een inzamellocatie in uw woonplaats. Ingezamelde accu's worden gerecycled of op juiste wijze afgevoerd.

Technische gegevens

	BDJS350	BDJS450
Accu	Type Verzegelde loodzuuraccu van 12 V, 9 Ah	12 V, 17 Ah verzegelde loodzuurbatterij
Uitgang (direct)	A 350	450
Uitgang (constant gedurende 5 seconden)	A 200	300
Gewicht	kg 4,00	6,4
Accuoplader		
Invoer	Vac 230	230
Oplaaftijd ca.	h 48	48
Gewicht	kg 0,32	0,48

EG-conformiteitsverklaring

BDJS350/BDJS45

Black & Decker verklaart dat deze producten in overeenstemming zijn met:
Standaarden en wetgeving.
EN60335, 2006/95/EU

Ondergetekende is verantwoordelijk voor de compilatie van het technische bestand en doet deze verklaring namens Black & Decker.



Kevin Hewitt
Director of Consumer Engineering
Spennymoor, County Durham DL16 6JG,
Verenigd Koninkrijk
25-06-2008

Mocht uw Black & Decker product binnen 24 maanden na de datum van aankoop defect raken ten gevolge van materiaal- of constructiefouten, dan garanderen wij de kosteloze vervanging van defecte onderdelen, de reparatie van het product of de vervanging van het product, tenzij:

- ◆ Het product is gebruikt voor handelsdoeleinden, professionele toepassingen of verhuurdoeleinden;
- ◆ Het product onoordeelkundig is gebruikt;
- ◆ Het product is beschadigd door invloeden van buitenaf of door een ongeval;
- ◆ Reparaties zijn uitgevoerd door anderen dan onze servicecentra of Black & Decker-personeel.

Om een beroep te doen op de garantie, dient u een aankoopbewijs te overhandigen aan de verkoper of een van onze servicecentra. U kunt het adres van het dichtstbijzijnde servicecentrum opvragen via de adressen op de achterzijde van deze handleiding. U kunt ook een lijst van onze servicecentra en meer informatie m.b.t. onze klantenservice vinden op het volgende internetadres: **www.2helpU.com**
Meld u aan op onze website **www.blackanddecker.nl** om te worden geïnformeerd over nieuwe producten en speciale aanbiedingen. Verdere informatie over het merk Black & Decker en onze producten vindt u op **www.blackanddecker.nl**.

Garantie

Black & Decker heeft vertrouwen in haar producten en biedt een uitstekende garantie. Deze garantiebepalingen vormen een aanvulling op uw wettelijke rechten en beperken deze niet. De garantie geldt in de lidstaten van de Europese Unie en de Europese Vrijhandelsassociatie.

Uso previsto

El auxiliar de arranque Black & Decker está diseñado para suministrar alimentación adicional a baterías de ácido de plomo en el encendido de motores de automóvil. Este producto está pensado únicamente para uso doméstico.

Instrucciones de seguridad

¡Atención! Si utiliza aparatos que funcionan con batería, es necesario seguir las precauciones de seguridad básicas, incluidas las que se indican a continuación, para reducir el riesgo de incendios, derrame de líquido de baterías, lesiones y daños materiales.

- ◆ Lea todo el manual detenidamente antes de utilizar el aparato.
- ◆ En este manual se describe el uso para el que se ha diseñado el aparato. La utilización de accesorios o la realización de operaciones distintas de las recomendadas en este manual de instrucciones puede presentar un riesgo de lesiones.
- ◆ Conserve este manual para futuras consultas.

Utilización del aparato

- ◆ Tenga mucho cuidado al utilizar el aparato.
- ◆ Este aparato está pensado para utilizarse con la supervisión correspondiente en el caso de menores o personas que no cuentan con la fuerza necesaria.
- ◆ Este aparato no es un juguete.
- ◆ Utilícelo únicamente en lugares secos. Tenga cuidado de no mojar el aparato.
- ◆ No introduzca el aparato en agua.
- ◆ No abra la carcasa. Las piezas del interior del aparato no pueden ser reparadas por el usuario.
- ◆ No utilice el aparato en un entorno con peligro de explosión, en el que se encuentren combustibles líquidos, gases o material en polvo.
- ◆ Para evitar dañar las clavijas y los cables, no tire del cable para extraer la clavija de la toma de corriente.

Después de la utilización

- ◆ Cuando el aparato no esté en uso, deberá guardarse en un lugar seco, bien ventilado, y lejos del alcance de los niños.
- ◆ Los niños no deben tener acceso a los aparatos guardados.
- ◆ Cuando se guarde o transporte el aparato en un vehículo, deberá colocarse en el maletero o asegurarse para evitar movimientos producidos por cambios repentinos en la velocidad o la dirección.
- ◆ El aparato debe protegerse de la luz directa del sol, el calor y la humedad.

Inspecciones y reparaciones

- ◆ Antes de utilizarlo, compruebe que el aparato no tiene piezas dañadas o defectuosas. Compruebe que no hay piezas rotas, que los interruptores no están dañados y que no existen otros defectos que puedan afectar al funcionamiento del aparato.
- ◆ No utilice el aparato si presenta alguna pieza dañada o defectuosa.
- ◆ Solicite al servicio técnico autorizado la reparación o sustitución de las piezas dañadas o defectuosas.
- ◆ Nunca intente extraer o sustituir piezas no especificadas en este manual.

Instrucciones de seguridad específicas para auxiliares de arranque

El aparato muestra los siguientes símbolos:



Lea este manual de instrucciones con atención.



Indicador de alternador correcto.



Indicador de polaridad invertida.

- ◆ Es posible que los vehículos dispongan de sistemas electrónicos y eléctricos (por ejemplo, el sistema de gestión del motor, el teléfono móvil, etc.) que pueden dañarse si se someten a voltajes elevados durante el encendido o a sobretensiones. Antes de conectar el aparato al vehículo, lea el manual de instrucciones de este para comprobar si se admite la ayuda externa para el encendido.
- ◆ Siga estas instrucciones y las suministradas por el fabricante de la batería, del vehículo y de cualquier equipo que desee utilizar con esta unidad. Observe las etiquetas de advertencia de estos productos y del vehículo.
- ◆ Este aparato no está diseñado para utilizarse en sustitución de la batería del vehículo. No trate de utilizar un vehículo que no tenga instalada una batería.
- ◆ El aparato debe conectarse únicamente a baterías de ácido de plomo de 12 V. No utilice el aparato para cargar pilas secas utilizadas normalmente en aparatos domésticos, ya que es posible que se produzcan explosiones que provoquen lesiones y daños materiales.

- ◆ Compruebe la polaridad de los terminales de la batería del vehículo antes de conectar el aparato. Desconecte primero siempre el cable negativo (negro) del auxiliar seguido del cable positivo (rojo).
- ◆ El interruptor ON/OFF (encendido/apagado) deberá estar en la posición OFF (apagado) antes de conectarlo a una fuente de alimentación o carga si la unidad está en proceso de carga o no está en uso.
- ◆ Nunca permita que las pinzas roja y negra entren en contacto entre sí ni con otro conductor de metal común ya que, de lo contrario, podrían producirse daños en el aparato o peligro de que se originen chispas o una explosión. Cuando no las utilice, guarde siempre las pinzas de la batería en las pistoleras incorporadas.
- ◆ Si utiliza la unidad cerca de la batería y el motor del vehículo, coloque la unidad en una superficie plana y estable y asegúrese de mantener todas las pinzas, cables, ropas y partes del cuerpo alejadas de las piezas móviles del vehículo.
- ◆ Este aparato contiene una batería de ácido de plomo sellada. Es recomendable colocar el aparato en posición horizontal durante el almacenamiento, el uso y la recarga.

¡Atención! Es posible que se produzcan escapes de gas explosivo desde las baterías de ácido de plomo durante la carga y, en condiciones extremas, podrían producirse fugas del líquido de la batería. Asegúrese de que el área esté correctamente ventilada durante el uso del auxiliar de arranque y el procedimiento de carga.

- ◆ No utilice el conector de 12 V para cargar el aparato con ocupantes en el interior del vehículo. Asegúrese de que el área esté bien ventilada.
- ◆ Para reducir el riesgo de que se produzcan descargas eléctricas, desconecte el aparato de cualquier fuente de alimentación antes de realizar el mantenimiento o la limpieza de este. Si se desactivan los controles sin desconectar el aparato, este riesgo no se verá reducido.
- ◆ Asegúrese de que el aparato no está conectado a ninguna fuente de alimentación de carga antes de iniciar el proceso de auxilio del arranque.
- ◆ Nunca intente utilizar las conexiones del cargador de ca y de carga de cc simultáneamente.

Instrucciones de seguridad adicionales para baterías y cargadores

Baterías

- ◆ No intente abrirlas bajo ningún concepto.
- ◆ No exponga la batería al agua.
- ◆ No las almacene en lugares en los que la temperatura pueda superar los 40°C.

- ◆ Realice la carga únicamente a una temperatura ambiente de entre 4 °C y 40 °C.
- ◆ Utilice únicamente los cargadores suministrados con el aparato para realizar la carga.
- ◆ Cuando vaya a desechar las baterías, siga las instrucciones facilitadas en la sección "Protección del medio ambiente".
- ◆ Es posible que se produzcan fugas en las baterías en condiciones extremas. Cuando observe que se producen fugas en las baterías, limpie cuidadosamente el líquido con un paño. Evite el contacto con la piel.
- ◆ En caso de que se produzca contacto con la piel o los ojos, siga las instrucciones facilitadas a continuación.

¡Atención! El líquido de las baterías es un ácido sulfúrico diluido y puede provocar lesiones personales o daños materiales. En caso de que se produzca contacto con la piel, aclare la zona con agua. Si se produce enrojecimiento, dolor o irritación, solicite atención médica. En caso de contacto con los ojos, aclare la zona inmediatamente con agua limpia y solicite atención médica inmediata.

Cargadores

El cargador se ha diseñado para un voltaje específico. Cada vez que utilice el aparato, debe comprobar que el voltaje de la red eléctrica se corresponde con el valor indicado en la placa de características.

¡Atención! Nunca intente sustituir el cargador por un conector de toma de corriente normal.


Utilice únicamente el cargador Black & Decker para cargar la batería en la herramienta con la que fue suministrado. En caso de intentar cargar otras baterías, éstas podrían explotar, lo cual podría provocar lesiones y daños personales.

- ◆ Nunca intente cargar baterías no recargables.
- ◆ Sustituya los cables defectuosos inmediatamente.
- ◆ No exponga el cargador al agua.
- ◆ No abra el cargador.
- ◆ No aplique ningún dispositivo para medir la resistencia del cargador.

La batería debe colocarse en una zona bien ventilada durante la carga.



Transformador con aislamiento a prueba de fallos. El circuito eléctrico de la toma de corriente está aislado de la salida del transformador.

 130°C El cargador se apaga automáticamente si detecta que la temperatura ambiente es excesivamente elevada. En este caso, el cargador no se podrá utilizar. Deberá desconectar la base del cargador de la toma de corriente y llevar el cargador a un centro de servicio autorizado.



Lea este manual de instrucciones con atención.



Este aparato está pensado únicamente para su utilización en espacios interiores.

Seguridad eléctrica



El aparato lleva un doble aislamiento; por lo tanto no requiere una toma a tierra. Compruebe siempre que la tensión de la red se corresponda con el valor indicado en la placa de datos de la herramienta.

- ◆ Si se llegase a dañar el cable de alimentación, deberá ser sustituido por el fabricante o por un centro de asistencia técnica autorizado de Black & Decker para evitar cualquier situación de riesgo.

Características

Este aparato incluye una o más de las siguientes características.

1. Luz del área de indicadores LED
2. Pinzas de cobre resistentes
3. Interruptor ON/OFF (encendido/apagado) de la luz del área de indicadores LED
4. Indicador de polaridad invertida
5. Cables del auxiliar
6. Adaptador de carga
7. Interruptor ON/OFF (encendido/apagado)
8. Asa de transporte
9. Botón de estado de la batería
10. Indicadores luminosos de estado de la batería
11. Toma de carga de cc de 12 V
12. Soportes de las pinzas

USO

Carga de la unidad (Fig. A)

La unidad se suministra parcialmente cargada.

- ◆ Cargue la unidad antes de utilizarla por primera vez mediante el adaptador de carga (6) durante 48 horas.

Las baterías de ácido de plomo requieren un mantenimiento rutinario para garantizar una carga completa y una vida útil prolongada. Con el tiempo, todas las baterías pierden energía debido a la descarga automática y con mayor rapidez en ambientes con temperaturas elevadas. Cuando la unidad no esté en uso, Black & Decker recomienda cargar la batería al menos cada 60 días.

- ◆ Pulse el botón de estado de la batería para comprobar el nivel de carga de esta (9). El indicador LED de la pantalla de estado de la carga (10) indicará el nivel de carga de la batería. Cargue la unidad sólo cuando se ilumine un indicador LED rojo.

Nota: La carga de la batería después de cada uso prolongará la vida útil de esta; si se producen fuertes descargas frecuentes entre los procesos de carga y/o sobrecarga, se reducirá la vida de la batería.

La batería puede cargarse mediante el adaptador de carga (6).

Carga de la unidad con el adaptador (Fig. A)

Asegúrese de que el interruptor ON/OFF (encendido/apagado) (7) y la luz del área de indicadores LED (1) están desactivados durante la carga de la unidad.

A medida que progresa la carga, los indicadores LED se iluminarán uno por uno.

- ◆ Cargue la unidad hasta que se ilumine el indicador LED FULL de color verde.
- ◆ Continúe efectuando la carga durante una o dos horas más.

Nota: El adaptador de carga no debe conectarse durante más de 60 horas.

- ◆ Una vez finalizada la carga, desconecte el adaptador de carga (6) y guárdelo en un lugar seguro.

Utilización de la unidad como auxiliar de arranque (fig. A y B)

¡Atención! Asegúrese de que el vehículo se encuentre en punto muerto con el freno de mano accionado.

Nota: Si las conexiones se llevan a cabo de manera incorrecta, la unidad emitirá un pitido continuo y el indicador rojo de polaridad inversa (4) se iluminará, aunque el interruptor ON/OFF (encendido/apagado) (7) se encuentre en la posición OFF (apagado). Corrija las conexiones de inmediato.

¡Atención! Asegúrese de colocar los cables alejados de los cinturones móviles o del ventilador.

1. Desactive el encendido del vehículo y todos los accesorios antes de realizar ninguna conexión.
 2. Asegúrese de que el interruptor ON/OFF (encendido/apagado) (7) de la unidad está en la posición OFF (apagado).
 3. El procedimiento siguiente está destinado para utilizarse con los sistemas de toma de tierra negativa, por ejemplo, el terminal de batería negativo que está conectado al chasis.
 4. Conecte la pinza positiva (+) de color rojo al terminal positivo de la batería del vehículo.
 5. Conecte la pinza negativa (-) de color negro al chasis o a un componente de metal sólido e inmóvil del vehículo o a una parte del chasis. Nunca conecte la pinza directamente al terminal negativo de la batería o a una pieza móvil. Consulte el manual de propietario del automóvil.
 6. Ajuste el interruptor ON/OFF (encendido/apagado) (7) de la unidad en la posición ON (encendido).
 7. Encienda el vehículo y haga girar el motor a intervalos de entre 3 y 6 segundos.
 - ◆ Si el motor no arranca antes de transcurrir 6 segundos, deje enfriar la batería interna de la unidad durante 3 minutos antes de volver a intentarlo.
 8. Una vez encendido el motor, ajuste el interruptor ON/OFF (encendido/apagado) (7) de la unidad en la posición OFF (apagado).
 9. Deje el motor del vehículo en marcha.
 10. Primero desconecte la pinza de color negro (-) que está conectada al motor o al chasis y, a continuación, la pinza de color rojo (+) que está conectada al terminal positivo (+) de la batería.
 11. Presione cuidadosamente el cable negativo del auxiliar (negro) hacia el canal de almacenamiento que comienza en el extremo más alejado de la pinza.
 12. Fije la pinza negativa (color negro) en el soporte de las pinzas (12).
 13. Presione cuidadosamente el cable positivo del auxiliar (rojo) para introducirlo en el canal de almacenamiento comenzando por el extremo más alejado de la pinza.
 14. Fije la pinza positiva (color rojo) en el soporte de las pinzas (12).
 15. Cargue la unidad lo antes posible.
- ◆ Pulse el botón de encendido/apagado de la luz del área de indicadores (3) situado en el panel superior de la unidad para encender la luz del área de indicadores LED (1).
 - ◆ Pulse de nuevo el botón de encendido/apagado del área de indicadores LED (3) para apagar la luz del área de indicadores LED (1).
- Asegúrese de que la luz del área de indicadores LED está apagada durante la carga o el almacenamiento de la unidad.

Mantenimiento

Este aparato o herramienta de Black & Decker se ha diseñado para que funcione durante un largo período de tiempo con un mantenimiento mínimo.

El funcionamiento satisfactorio continuo depende de un cuidado apropiado y una limpieza periódica de la herramienta.

¡Atención! Para realizar el mantenimiento o limpieza del aparato o herramienta, antes debe desenchufarlo.

- ◆ Limpie el aparato de vez en cuando con un paño húmedo. No utilice limpiadores de base abrasiva o disolventes. No introduzca el aparato en agua.
- ◆ Después de cada uso, limpie las pinzas de la batería (2) y asegúrese de eliminar los posibles restos de líquido de batería, que podrían provocar la corrosión de las pinzas (2).
- ◆ Limpie la carcasa exterior del cargador de batería con un paño suave y, si es necesario, con una solución de jabón suave.
- ◆ No permita que entre líquido en el cargador de batería. No utilice el cargador si está húmedo.
- ◆ Mantenga los cables del cargador de batería enrollados sin apretar durante el almacenamiento para evitar que se dañen.

Protección del medio ambiente



Recogida selectiva. No se debe desechar este producto con el resto de residuos domésticos.

Si llegase el momento en que fuese necesario sustituir su producto Black & Decker o si éste dejase de tener utilidad para usted, no lo deseche junto con los residuos domésticos. Sepárelo para su recogida selectiva.



La recogida selectiva de productos y embalajes usados permite el reciclaje de materiales y su reutilización. La reutilización de materiales reciclados contribuye a evitar la contaminación medioambiental y reduce la demanda de materias primas.

Utilización de la luz del área de indicadores LED (Fig. A)

La luz del área de indicadores LED (1) funcionará hasta 50 horas con la unidad completamente cargada. La vida útil de la luz del área de indicadores LED es de 100.000 horas.

Las normativas municipales deben ofrecer la recogida selectiva de productos eléctricos del hogar, en puntos municipales previstos para ello o a través del distribuidor en el caso en que se adquiriera un nuevo producto.

Black & Decker proporciona facilidades para la recogida y reciclado de los productos Black & Decker que hayan llegado al final de su vida útil. Para poder utilizar este servicio, le rogamos entregue el producto a cualquier servicio técnico autorizado que se hará cargo de él en nuestro nombre.

Para consultar la dirección del servicio técnico más cercano póngase en contacto con la oficina local de Black & Decker en la dirección que se indica en este manual. Como alternativa, se puede consultar en Internet, en la dirección siguiente, la lista de servicios técnicos autorizados e información completa sobre nuestros servicios de posventa y contactos: www.2helpU.com.



Las baterías de ácido de plomo pueden recargarse muchas veces. Al final de su vida útil, deséchelas respetando el medio ambiente:

- ◆ No deseche la batería en el fuego, puesto que podría provocar una explosión.
- ◆ Las baterías de ácido de plomo (Pb) son reciclables. No se deben desechar con el resto de residuos domésticos. La batería se debe extraer y desechar siguiendo las normativas locales.
- ◆ No cortocircuite los terminales de la batería.
- ◆ Tenga en cuenta que la batería es pesada.
- ◆ Si el posible, utilice el aparato para que agote completamente la batería.

Ubique la batería en un embalaje adecuado para garantizar que no se pueda crear un cortocircuito con los terminales.

Llévela a su agente de reparaciones o a un centro de reciclaje local. Las baterías recogidas se reciclarán o desecharán como corresponda.

Características técnicas

	BDJS350	BDJS450
Batería	Tipo 12 V 9 Ah de ácido de plomo sellado	12 V 17 Ah de ácido de plomo sellado
Salida (instantánea)	A 350	450
Salida (constante durante 5 segundos)	A 200	300
Peso	kg 4,00	6,4
Cargador de batería		
Entrada	V de 230 CA	230
Tiempo de carga aproximado	h 48	48
Peso	kg 0,32	0,48

Declaración de conformidad CE

BDJS350/BDJS450

Black & Decker declara que estos productos cumplen las normas siguientes:

Normativas y legislación
EN60335, 2006/95/CE

La persona que firma a continuación es responsable de la recopilación del archivo técnico y realiza esta declaración en nombre de Black & Decker.

Kevin Hewitt
Director de Ingeniería del Consumidor
Spennymoor, County Durham, DL16 6JG,
Reino Unido
25-06-2008

Garantía

Black & Decker confía plenamente en la calidad de sus productos y ofrece una garantía extraordinaria. Esta declaración de garantía es un añadido, y en ningún caso un perjuicio para sus derechos estatutarios. La garantía es válida dentro de los territorios de los Estados miembros de la Unión Europea y de los de la Zona Europea de Libre Comercio.

Si cualquier producto de Black & Decker resultara defectuoso debido a materiales o mano de obra defectuosos o a la falta de conformidad, Black & Decker garantiza, dentro de los 24 meses posteriores a la fecha de compra, la sustitución de las piezas defectuosas, la reparación de los productos sujetos a un desgaste y rotura razonables o la sustitución de tales productos para garantizar al cliente el mínimo de inconvenientes, a menos que:

- ◆ El producto se haya utilizado con propósitos comerciales, profesionales o de alquiler.
- ◆ El producto se haya sometido a un uso inadecuado o negligente.
- ◆ El producto haya sufrido daños causados por objetos o sustancias extrañas o accidentes.
- ◆ Se hayan realizado reparaciones por parte de personas que no sean del servicio técnico autorizado o personal de servicios de Black & Decker.

Para reclamar en garantía, será necesario que presente la prueba de compra al vendedor o al servicio técnico de reparaciones autorizado. Puede consultar la dirección de su servicio técnico más cercano poniéndose en contacto con la oficina local de Black & Decker en la dirección que se indica en este manual. Como alternativa, puede consultar en Internet la lista de servicios técnicos autorizados e información completa de nuestros servicios de posventa y contactos, en la dirección siguiente,: **www.2helpU.com**

Visite el sitio web **www.blackanddecker.eu** para registrar su nuevo producto Black & Decker y estar al día sobre productos y ofertas especiales. Encontrará información adicional sobre la marca Black & Decker y nuestra gama de productos en **www.blackanddecker.eu**.

Utilização

O seu dispositivo de arranque Black & Decker foi concebido para fornecer energia adicional às baterias de ácido-chumbo que accionam o motor de arranque dos automóveis. Este produto destina-se apenas a utilização doméstica do consumidor.

Instruções de segurança

Advertência! Ao utilizar aparelhos alimentados a bateria, deve sempre cumprir medidas de segurança básicas, incluindo as seguintes, de modo a reduzir os riscos de incêndio, fuga do líquido da bateria, lesões pessoais e danos materiais.

- ◆ Leia cuidadosamente o manual completo antes de utilizar este aparelho.
- ◆ A utilização prevista para este aparelho está descrita no manual. A utilização de qualquer acessório ou a realização de qualquer operação com este aparelho que não se inclua no presente manual de instruções poderá representar um risco de ferimentos pessoais.
- ◆ Conserve este manual para referência futura.

Utilizar o seu aparelho

- ◆ Tenha sempre cuidado quando utiliza este aparelho.
- ◆ Este aparelho não deve ser utilizado por jovens ou pessoas doentes sem supervisão.
- ◆ Este aparelho não deve ser utilizado como um brinquedo.
- ◆ Utilize apenas num local seco. Não deixe que o aparelho fique molhado.
- ◆ Não mergulhe o aparelho em água.
- ◆ Não abra a estrutura do produto. Não existem peças para manipulação pelo utilizador no interior.
- ◆ Não utilize o equipamento em áreas com risco de explosão, nas quais se encontrem líquidos, gases ou poeiras inflamáveis.
- ◆ Para reduzir o risco de danos nas fichas e cabos, nunca puxe o cabo para remover a ficha de uma tomada.

Após a utilização

- ◆ Quando não for utilizado, o aparelho deve ser guardado num local seco e com boa ventilação, longe do alcance das crianças.
- ◆ As crianças não devem ter acesso aos aparelhos armazenados.
- ◆ Quando o aparelho for guardado ou transportado num veículo, deverá ser colocado na bagageira ou fixo de forma a evitar o movimento devido a alterações súbitas na velocidade ou direcção.
- ◆ Este aparelho deve ser protegido da luz solar directa, do calor e da humidade.

Inspeção e reparações

- ◆ Antes da utilização, verifique o aparelho quanto a peças danificadas ou avariadas. Verifique se há peças partidas, danos nos interruptores ou outro tipo de condições que possam afectar o seu funcionamento.
- ◆ Não utilize o aparelho se alguma das peças se encontrar danificada ou avariada.
- ◆ Mande reparar ou substituir quaisquer peças danificadas ou avariadas por um agente de reparação autorizado.
- ◆ Nunca tente retirar ou substituir quaisquer peças que não as especificadas neste manual.

Instruções de segurança específicas para dispositivos de arranque

Os seguintes símbolos estão marcados no aparelho:



Leia com atenção este manual na íntegra.



LED – Alternador “bom”



Indicador de polaridade inversa.

- ◆ Os veículos podem ter sistemas eléctricos e electrónicos (p. ex. sistema de gestão do motor, telemóvel) que podem ser danificados se forem submetidos a tensões de arranque elevadas e a picos de tensão. Antes de ligar o aparelho ao veículo, leia o manual de utilização do veículo para confirmar se é possível recorrer a um dispositivo externo de auxílio ao arranque.
- ◆ Siga as presentes instruções, bem como as publicadas pelo fabricante da bateria, fabricante do veículo ou fabricante de qualquer equipamento que pretenda utilizar com esta unidade. Consulte as etiquetas de aviso destes produtos e do veículo.
- ◆ Este aparelho não se destina a ser utilizado como substituto de uma bateria de automóvel. Não tente usar um veículo que não tenha uma bateria instalada.
- ◆ O aparelho só pode ser ligado a uma bateria de ácido-chumbo de 12V. Não utilize o aparelho para carregar baterias de célula seca normalmente utilizadas nos electrodomésticos. Estas baterias podem explodir e causar ferimentos e danos materiais.
- ◆ Verifique a polaridade dos terminais da bateria do veículo antes de ligar o aparelho. Desligue sempre o

cabo de arranque negativo (preto) primeiro: seguido pelo cabo de arranque positivo (vermelho).

- ◆ O interruptor ON/OFF deve estar na posição OFF antes de ligar a uma fonte de alimentação ou carga, quando a unidade está a carregar e quando não está a ser utilizada.
- ◆ Nunca permita que os grampos vermelho e preto entrem em contacto entre si ou com outro elemento condutor de metal comum. Isso poderia danificar o aparelho e/ou criar o risco de faísca/explosão. Quando terminar a sua utilização, arrume sempre os grampos da bateria nos encaixes embutidos.
- ◆ Quando utilizar esta unidade na proximidade da bateria e do motor do veículo, coloque-a sobre uma superfície plana e estável e certifique-se de que todos os grampos, cabos, peças de vestuário e partes do corpo não podem entrar em contacto com as peças móveis do veículo.
- ◆ Este aparelho contém uma bateria de ácido-chumbo selada. É aconselhável que o aparelho seja colocado numa posição estável durante a arrumação, utilização ou carregamento.

Advertência! Durante o carregamento, as baterias de ácido-chumbo podem libertar gás explosivo e, em condições extremas, pode ocorrer uma fuga da bateria. Quando realizar um procedimento de arranque ou carregamento, garanta uma boa ventilação da área.

- ◆ Não utilize o conector de 12 V se carregar o aparelho com o veículo ocupado. Certifique-se de que a área está bem ventilada.
- ◆ Para reduzir o risco de choque eléctrico, desligue o aparelho de qualquer fonte de alimentação antes de realizar uma operação de manutenção ou limpeza. O facto de desligar os controlos sem desligar o aparelho não basta para reduzir este risco.
- ◆ Antes de iniciar o procedimento de arranque, certifique-se de que o aparelho está desligado de todas as fontes de alimentação.
- ◆ Nunca tente utilizar simultaneamente o carregador ac a ligação de carga dc.

Instruções de segurança adicionais para pilhas e carregadores

Pilhas

- ◆ Nunca, por motivo algum, tente abrir as pilhas.
- ◆ Não exponha a pilha à água.
- ◆ Não as armazene em locais onde a temperatura possa exceder os 40 °C.
- ◆ Carregue apenas a temperaturas ambiente entre 4°C e 40°C.

- ◆ Carregue apenas com os carregadores fornecidos com o aparelho.
- ◆ Quando eliminar as pilhas, siga as instruções da secção "Proteger o ambiente".
- ◆ Em condições extremas, pode ocorrer uma fuga nas baterias. Se detectar a fuga de líquido das baterias, limpe o líquido cuidadosamente com um pano. Evite o contacto com a pele.
- ◆ Em caso de contacto com a pele ou com os olhos, siga as instruções seguintes.

Advertência! O fluido da pilha consiste num ácido sulfúrico diluído e pode causar lesões pessoais ou danos materiais. Em caso de contacto com a pele, enxágüe imediatamente com água. Em caso de vermelhidão, dor ou irritação, contacte um médico. Em caso de contacto com os olhos, enxágüe imediatamente com água limpa e contacte um médico imediatamente.

Carregadores

O seu carregador foi concebido para uma voltagem específica. Verifique sempre se a voltagem de alimentação corresponde à voltagem da placa informativa.

Advertência! Nunca tente substituir a unidade do carregador por uma tomada normal de alimentação.

Utilize o seu carregador Black & Decker apenas para carregar a pilha na ferramenta respectiva. As outras pilhas podem rebentar, provocando lesões pessoais e danos.

- ◆ Nunca tente carregar baterias não recarregáveis.
- ◆ Substitua os cabos defeituosos imediatamente.
- ◆ Não exponha o carregador à água.
- ◆ Não abra o carregador.
- ◆ Não manipule o interior do carregador.

A pilha deve ser colocada numa área com boa ventilação durante o carregamento.



Transformador de isolamento anti-falha. A alimentação está electricamente separada da saída do transformador.



O carregador desliga-se automaticamente se a temperatura se tornar demasiado elevada.

Consequentemente o carregador fica inoperável. A base de carga deve ser desligada da alimentação e encaminhada para reparação num centro de serviço autorizado.



Leia com atenção este manual na íntegra.



Este aparelho deve apenas ser utilizado em recintos fechados.

Segurança eléctrica



Este aparelho tem um isolamento duplo e, por isso, não é necessário um fio de terra. Verifique sempre se a fonte de alimentação corresponde à tensão indicada na placa de especificações.

- ◆ Se o cabo de alimentação for danificado, terá de ser substituído pelo fabricante ou por um centro de assistência autorizado Black & Decker para evitar acidentes.

Funções

Este aparelho inclui algumas ou todas as seguintes funções:

1. Luz de área de LED
2. Grampos de cobre de alta resistência
3. Interruptor on/off da luz de área de LED
4. Indicador de polaridade inversa
5. Cabos de arranque
6. Adaptador de carregamento de rede eléctrica
7. Interruptor ON/OFF
8. Manípulo de transporte
9. Botão do estado da bateria
10. LEDs do estado da bateria
11. Tomada de carga de 12 Vdc
12. Suportes para os grampos

UTILIZAÇÃO

Carregar a unidade (fig. A)

Esta unidade é fornecida num estado de carga parcial.

- ◆ Carregue a unidade antes de a utilizar pela primeira vez, usando o adaptador de carregamento da rede eléctrica (6) durante 48 horas.

As baterias de ácido-chumbo requerem uma manutenção de rotina para garantir uma carga completa e uma vida útil longa. Todas as baterias perdem energia por auto-descarga ao longo do tempo e com maior rapidez se a temperatura for elevada. Quando a unidade não estiver a ser utilizada, a Black & Decker recomenda o seu carregamento a intervalos mínimos de 60 dias.

- ◆ Verifique o nível de carga da bateria carregando no botão do estado da bateria (9). O indicador LED do estado de carga (10) indica o nível de carga da bateria. Quando estiver acesa apenas uma luz LED vermelha, carregue a unidade.

Nota: O carregamento da bateria após cada utilização prolonga a vida da bateria; as descargas fortes frequentes entre as cargas e/ou o carregamento excessivo diminuem a vida da bateria.

A bateria pode ser carregada utilizando o adaptador de carregamento da rede eléctrica (6).

Carregar a unidade com o carregador de rede eléctrica (fig. A)

Durante o carregamento da unidade, certifique-se de que o interruptor ON/OFF (7) e a luz de área de LED (1) estão desligados.

À medida que decorre o carregamento, as LED vermelhas acendem-se uma a uma.

- ◆ Carregue a unidade até se acenderem as luzes LED verdes.
- ◆ Continue o carregamento durante uma ou duas horas.

Nota: O carregador da rede eléctrica não deve estar ligado mais de 60 horas.

- ◆ Quando o carregamento estiver completo, desligue o adaptador de carregamento da rede eléctrica (6) e arrume-o num lugar seguro.

Utilizar a unidade como dispositivo de arranque (fig. A e B)

Advertência! Certifique-se de que o veículo está em neutro/ponto morto, com o travão de estacionamento engatado.

Nota: Se as ligações não estiverem correctas, o aparelho irá emitir um som contínuo e o indicador de polaridade inversa vermelho (4) irá acender-se, mesmo que o interruptor ON/OFF (7) esteja na posição OFF (desligado). Corrija as ligações imediatamente.

Advertência! Certifique-se de que os cabos não entram em contacto com as correias ou a ventoinha do veículo.

1. Desligue a ignição e todos os acessórios do veículo antes de fazer qualquer ligação.
 2. Certifique-se de que o interruptor ON/OFF da unidade (7) está desligado (OFF).
 3. O procedimento seguinte aplica-se a um sistema negativo de terra, isto é, em que o terminal negativo da bateria está ligado ao chassis.
 4. Ligue o grampo vermelho positivo (+) ao terminal positivo da bateria do veículo.
 5. Ligue o grampo preto negativo (-) ao chassis ou a um componente metálico sólido e fixo do veículo ou a uma peça do chassis. Nunca ligue directamente o grampo ao terminal negativo da bateria ou a uma peça móvel. Consulte o manual do proprietário do automóvel.
 6. Rode o interruptor ON/OFF (7) da unidade para a posição ON.
 7. Ligue o motor de arranque do veículo e acelere o motor em séries de 3 a 6 segundos.
- ◆ Se o motor não pegar em 6 segundos deixe a bateria interna da unidade arrefecer durante 3 minutos antes de repetir a tentativa.

8. Quando o veículo “pegar”, rode o interruptor ON/OFF (7) da unidade para a posição OFF.
 9. Deixe o motor do veículo a trabalhar.
 10. Desligue primeiro o grampo preto (-) ligado ao motor ou ao chassis, e depois o grampo vermelho (+) que está ligado ao terminal positivo (+) da bateria.
 11. Empurre com cuidado o cabo de arranque negativo (preto) para dentro do canal de arrumação começando pela extremidade mais afastada do grampo.
 12. Prenda o grampo negativo (preto) ao encaixe respectivo (12).
 13. Empurre com cuidado o cabo de arranque positivo (vermelho) para dentro do canal de arrumação começando pela extremidade mais afastada do grampo.
 14. Prenda o grampo positivo (vermelho) ao encaixe respectivo (12).
 15. Carregue a unidade assim que possível.
- ◆ Não deixe entrar líquido no carregador da bateria. Não manuseie o carregador da bateria quando estiver quente.
 - ◆ Mantenha os cabos do carregador da bateria folgados quando os guardar para que não fiquem danificados.

Protecção do ambiente



Recolha separada. Este produto não pode ser eliminado juntamente com os resíduos domésticos normais.

Se, em algum momento, verificar que o seu produto Black & Decker precisa de ser substituído ou que deixou de ter utilidade, não o elimine junto com os resíduos domésticos. Coloque-o disponível para uma recolha separada.



A recolha separada de produtos e embalagens usados permite que os materiais sejam reciclados e novamente utilizados. A reutilização de materiais reciclados ajuda a evitar a poluição ambiental e reduz a procura de matérias-primas.

A legislação local poderá prever a recolha separada de produtos domésticos eléctricos, seja em lixeiras municipais ou através do revendedor quando adquire um produto novo.

A Black & Decker dispõe de instalações para recolha e reciclagem de produtos Black & Decker quando estes atingem o fim da sua vida útil. Para usufruir deste serviço, devolva o produto em qualquer agente de reparação autorizado, que os recolherá em seu nome.

Podem verificar a localização do agente de reparação autorizado mais perto de si, contactando os escritórios locais da Black & Decker através do endereço indicado neste manual. Se preferir, pode encontrar na Internet uma lista de agentes de reparação autorizados Black & Decker, detalhes completos e contactos do serviço pós-venda, no endereço: www.2helpU.com.



As baterias de chumbo-ácido podem ser recarregadas diversas vezes. Quando as baterias chegarem ao fim da sua vida útil, elimine-as de forma segura para o ambiente:

MANUTENÇÃO

O aparelho Black & Decker foi concebido para funcionar por um longo período de tempo com uma manutenção mínima.

Um funcionamento contínuo e satisfatório depende de uma manutenção adequada e da limpeza regular da ferramenta.

Advertência! Antes de executar qualquer manutenção ou limpeza no aparelho, desligue-o.

- ◆ De vez em quando, limpe o aparelho com um pano húmido. Não utilize nenhum produto de limpeza abrasivo ou à base de solvente. Não mergulhe o aparelho em água.
- ◆ Depois de cada utilização, limpe os grampos da bateria (2) e certifique-se de que a bateria não contém fluido que possa causar corrosão nos grampos (2).
- ◆ Limpe o revestimento exterior do carregador da bateria com um pano macio e, se necessário, com uma solução de sabão suave.
- ◆ Não elimine as baterias queimando-as, existe risco de explosão.
- ◆ As pilhas de chumbo-ácido são recicláveis. Não podem ser eliminadas juntamente com os resíduos domésticos. A bateria deve ser removida e eliminada de acordo com as normas locais.
- ◆ Não coloque os terminais da bateria em curto-circuito.
- ◆ Tenha atenção de que a bateria é pesada.

- ◆ Se for possível, utilize o aparelho até esgotar completamente a bateria.

Coloque a bateria numa embalagem adequada, certificando-se de que os terminais não entram em curto-circuito.

Leve a bateria ao seu agente de manutenção ou a uma estação de reciclagem local. As baterias recolhidas serão recicladas ou eliminadas correctamente.

Dados técnicos

	BDJS350	BDJS450
Pilha	Tipo 12 V 9 Ah ácido-chumbo selada	12 V 17 Ah ácido-chumbo selada
Saída (instântanea)	A 350	450
Saída (constante durante 5 segundos)	A 200	300
Peso	kg 4,00	6,4
Carregador da bateria		
Entrada	Vac 230	230
Tempo de carga aprox.	h 48	48
Peso	kg 0,32	0,48

Declaração de conformidade CE

BDJS350/BDJS450

A Black & Decker declara que estes produtos estão em conformidade com:
Normas e legislação.
EN60335, 2006/95/CE

O signatário é responsável pela compilação do ficheiro técnico e efectua esta declaração em nome da Black & Decker.



Kevin Hewitt
Director de Engenharia de Consumo
Spennymoor, County Durham, DL16 6JG,
Reino Unido
25-06-2008

Se um produto Black & Decker se avariar devido a defeitos de material, fabrico ou não conformidade, num período de 24 meses após a data da compra, a Black & Decker garante a substituição de peças defeituosas, a reparação de produtos sujeitos a um desgaste aceitável ou a substituição dos mesmos para garantir o mínimo de inconveniente ao cliente, excepto se:

- ◆ O produto tiver sido utilizado para fins comerciais, profissionais ou de aluguer.
- ◆ O produto tiver sido submetido a utilização indevida ou descuido.
- ◆ O produto tiver sido danificado por objectos estranhos, substâncias ou acidentes.
- ◆ Tiverem sido tentadas reparações por pessoas que não sejam agentes de reparação autorizados ou técnicos de manutenção da Black & Decker.

Para accionar a garantia, terá de apresentar comprovativos de compra ao vendedor ou a um agente de reparação autorizado. Pode verificar a localização do agente de reparação autorizado mais perto de si, contactando os escritórios locais da Black & Decker através do endereço indicado neste manual. Se preferir, pode encontrar na Internet uma lista de agentes de reparação autorizados Black & Decker, detalhes completos e contactos do serviço pós-venda, no endereço: www.2helpU.com

Visite o nosso website www.blackanddecker.eu para registar o novo produto Black & Decker e manter-se actualizado relativamente a novos produtos e ofertas especiais. Pode encontrar mais informações sobre a marca Black & Decker e nossa gama de produtos em www.blackanddecker.eu.

Garantia

A Black & Decker confia na qualidade dos seus produtos e oferece uma garantia excelente. Esta declaração de garantia é um complemento dos seus direitos estabelecidos por lei, não os prejudicando de forma alguma. A garantia é válida nos territórios dos Estados Membros da União Europeia e da Associação Europeia de Comércio Livre.

Användningsområde

Black & Deckers startbatteri förser blybatterier med hjälpström vid motorstart. Produkten är endast avsedd för konsumentanvändning.

Säkerhetsinstruktioner

Varning! För att minska risken för brand, läckande batterier, personskador och materialskador ska du alltid följa grundläggande säkerhetsföreskrifter, inklusive de som följer, vid användning av batteridrivna apparater.

- ◆ Läs den här bruksanvisningen noggrant innan du använder apparaten.
- ◆ Användningsområdet beskrivs i den här bruksanvisningen. Användning av andra tillbehör eller tillsatser eller om någon annan åtgärd utförs med apparaten än de som rekommenderas i den här bruksanvisningen kan leda till personskador.
- ◆ Behåll bruksanvisningen för framtida referens.

Använda apparaten

- ◆ Var alltid försiktig när du använder apparaten.
- ◆ Apparaten är inte avsedd att användas av unga eller oerfarna personer utan övervakning.
- ◆ Apparaten ska inte användas som leksak.
- ◆ Använd den endast på torra ställen. Skydda apparaten från väta.
- ◆ Doppa aldrig apparaten i vatten.
- ◆ Öppna inte höljet. Det finns inga delar som kan repareras inuti.
- ◆ Undvik explosionsrisk och använd inte apparaten i omgivningar med brandfarliga vätskor, gaser eller damm.
- ◆ Dra aldrig i sladden när du vill ta ut kontakten ur väggtuttaget. Detta för att minska risken för skador på kontakter och sladdar.

Efter användning

- ◆ När den inte används bör apparaten förvaras på en torr plats med god ventilation utom räckhåll för barn.
- ◆ Placera apparaten på ett ställe där barn inte kan komma åt den.
- ◆ När apparaten förvaras eller transporteras i en bil, ska den placeras i bagageutrymmet eller spännas fast för att förhindra rörelse till följd av plötsliga ändringar i hastighet eller riktning.
- ◆ Utsätt inte apparaten för direkt solljus, värme eller fukt.

Kontroll och reparationer

- ◆ Kontrollera att apparaten är hel och att den inte innehåller några skadade delar innan du använder den. Kontrollera att inga delar är trasiga, att strömbrytaren fungerar och att inget annat föreligger som kan påverka apparatens funktioner.
- ◆ Använd inte apparaten om någon del har skadats eller gått sönder.
- ◆ Reparera eller byt ut skadade eller trasiga delar på en auktoriserad verkstad.
- ◆ Försök aldrig ta bort eller byta ut andra delar än dem som anges i den här bruksanvisningen.

Särskilda säkerhetsinstruktioner för startbatterier

Apparaten är märkt med följande symboler:



Läs noga igenom den här bruksanvisningen.



Generatorgodkännandelampa.



Indikator för polvändning.

- ◆ Fordon kan ha elektriska och elektroniska system (t.ex. motorstyrsystem, mobiltelefoner) som kan skadas om de utsätts för hög startspänning och spänningstoppar. Innan du ansluter enheten till fordonet ska du i fordonshandboken kontrollera att externa hjälpströmkällor får användas.
- ◆ Följ dessa instruktioner och alla övriga instruktioner från batteritillverkaren, fordonstillverkaren och eventuella tillverkare av annan utrustning som du tänker använda med den här enheten. Läs varningsetiketterna på dessa produkter och fordonet.
- ◆ Denna apparat är inte avsedd att användas som ersättning för bilbatteri. Försök inte framföra ett fordon som saknar batteri.
- ◆ Apparaten får endast anslutas till ett 12-volts blybatteri. Använd inte apparaten för att ladda torrbatterier som vanligtvis används i hushållsapparater. Dessa batterier kan spricka och orsaka personskador och materiella skador.
- ◆ Kontrollera polariteten på fordonets batteripoler innan du ansluter apparaten. Dra alltid ur den negativa (svarta) hjälpstartskabeln först och sedan den positiva (röda) hjälpstartskabeln.

- ◆ Strömbrytaren ska vara i OFF-läge innan enheten ansluts till en kraftkälla eller belastning, när enheten laddas och när den inte används.
- ◆ Låt aldrig den röda och den svarta klämman komma i kontakt med varandra eller med någon annan metalledare. Det kan skada apparaten och/eller leda till gnistbildning och försaka en explosion. Förvara alltid batteriklämmorna i de inbyggda facken när de inte används.
- ◆ När denna enhet används i närheten av fordonets batteri och motor ska enheten ställas på en plan och stadig yta. Se till att inga klämmor, sladdar, klädesplagg och kroppsdelar kommer i närheten av fordonets rörliga delar.
- ◆ Apparaten innehåller ett tätat blybatteri. Apparaten bör placeras i horisontellt läge vid användning, förvaring och laddning.

Varning! Under laddning kan blybatterier avge explosiv gas, och under exceptionella förhållanden kan batteriet läcka. Använd och ladda startbatteriet endast i utrymmen med ordentlig ventilation.

- ◆ Ladda inte apparaten med 12-voltskontakten när personer befinner sig i fordonet. Säkerställ att utrymmet är välventilerat.
- ◆ Minska risken för elstötar genom att koppla ur apparaten från strömkällan innan underhåll eller rengöring påbörjas. Risken minskar inte när reglagen ställs i Av-läge om apparaten fortfarande är ansluten.
- ◆ Säkerställ att apparaten kopplats ur från alla strömkällor innan hjälpstartsproceduren påbörjas.
- ◆ Försök inte använda växelströmsladdaren och likströmsanslutningen samtidigt.

Ytterligare säkerhetsinstruktioner för batterier och laddare

Batterier

- ◆ Försök aldrig att öppna batterierna.
- ◆ Utsätt inte batteriet för vatten.
- ◆ Förvara inte batterierna på platser där temperaturen kan bli högre än 40° C.
- ◆ Ladda endast vid lufttemperaturer mellan 4° C och 40° C.
- ◆ Ladda endast med hjälp av laddare som medföljer apparaten.
- ◆ Följ instruktionerna som anges i avsnittet "Miljö" när du kastar batterierna.
- ◆ Under extrema förhållanden kan batterierna läcka. Om det finns vätska på batterierna, ska du torka bort vätskan försiktigt med hjälp av en trasa. Undvik hudkontakt.

- ◆ Vid kontakt med hud eller ögon, följ instruktionerna nedan.

Varning! Batterivätskan är en utspädd svavelsyra och kan orsaka person- eller materialskador. Vid hudkontakt, skölj genast med vatten. Vid rodnader, smärta eller irritation ska läkare uppsökas. Vid kontakt med ögon, skölj genast med rent vatten, och uppsök genast läkare.

Laddare

Laddaren är avsedd för en viss spänning. Kontrollera alltid att nätspänningen överensstämmer med värdet på typskylten.

Varning! Försök aldrig byta ut kontakten till laddaren mot en vanlig kontakt.

Använd laddaren från Black & Decker endast för att ladda batteriet i den apparat som laddaren levererades med.

Andra batterier kan spricka och orsaka personskador och andra skador.

- ◆ Försök aldrig att ladda ej uppladdningsbara batterier.
- ◆ Byt defekta sladdar genast.
- ◆ Utsätt inte laddaren för vatten.
- ◆ Öppna inte laddaren.
- ◆ Gör ingen åverkan på laddaren.

Batteriet ska placeras på en plats med god ventilation vid laddning.



F Helsäker isoleringstransformator. Elnätet är elektriskt avskilt från transformatorns uteffekt.



Laddaren stängs av automatiskt om temperaturen blir för hög. Den går då inte längre att använda. Laddaren måste kopplas från eluttaget och tas till en auktoriserad verkstad för reparation.



Läs noga igenom den här bruksanvisningen.



Apparaten är endast avsedd för inomhusbruk.

Elektrisk säkerhet



Eftersom apparaten är dubbelisolerad behövs ingen jordledare. Kontrollera alltid att nätspänningen överensstämmer med värdet på typskylten.

- ◆ Om nätsladden är skadad måste den för undvikande av fara bytas ut av tillverkaren eller en auktoriserad Black & Decker-verkstad.

Funktioner

Denna apparat har några eller samtliga av följande funktioner:

1. Lysdioder
2. Kraftiga kopparklämmor
3. Strömbrytare för lysdioder
4. Indikator för polvändning
5. Hjälptartkablar
6. Huvudladdningsadapter
7. Strömbrytare
8. Bärhandtag
9. Tryckknapp för batteristatus
10. Lysdioder för batteristatus
11. 12 V DC-laddningsuttag
12. Klämhållare

ANVÄNDNING

Så här laddar du enheten (fig. A)

Denna enhet levereras i delvis laddat tillstånd.

- ◆ Ladda enheten före första användning med hjälp av huvudladdaren (6) i 48 timmar.

Blybatterier kräver rutinmässigt underhåll för att full laddning och lång batterianvändning ska kunna säkerställas. Alla batterier tappar med tiden energi genom självurladdning och i en snabbare takt vid höga temperaturer. Black & Decker rekommenderar att batteriet i enheten laddas minst var 60:e dag när enheten inte används.

- ◆ Kontrollera batteriladdningsnivån genom att trycka ned tryckknappen för batteristatus (9). Lysdioderna för laddningsstatus (10) indikerar batteriladdningsnivån.

När endast en röd lysdiod lyser ska du ladda enheten.

Obs!Om du laddar batteriet efter varje användning håller batteriet längre. Kraftiga och återkommande urladdningar mellan laddningarna och/eller överladdning förkortar batteriets livslängd.

Batteriet kan laddas med hjälp av huvudladdningsadaptern (6).

Så här laddar du enheten med huvudladdaren (fig. A)

Säkerställ att strömbrytaren (7) och lysdioderna (1) är avslagna medan enheten laddas.

I takt med att laddningen fortskrider tänds de röda lysdioderna en efter en.

- ◆ Ladda enheten tills den gröna FULL-lysdioden lyser.
- ◆ Fortsätt ladda ytterligare en till två timmar.

Obs!Huvudladdaren bör inte vara ansluten i mer än 60 timmar.

- ◆ När enheten är färdigladdad kopplar du ur huvudladdningsadaptern (6) och ställer enheten i ett säkert utrymme.

Så här använder du enheten som startbatteri

(fig. A och B)

Varning! Se till att fordonet är i neutralt läge med parkeringsbromsen åtdragen.

Obs!Om dina anslutningar är felaktiga kommer enheten att pipa kontinuerligt och den röda indikatorn för polvändning (4) kommer att lysa även om strömbrytaren (7) befinner sig i läget OFF. Korrigera anslutningarna omedelbart.

Varning! Säkerställ att kablarna inte är i vägen för remmar eller fläkt i rörelse.

1. Slå av fordonets tändning och alla tillbehör innan några anslutningar görs.
2. Kontrollera att enhetens strömbrytare (7) är i läget OFF.
3. Följande procedur gäller vid negativ jordning, dvs. när den negativa batteripolen kopplas till chassit.
4. Koppla den positiva (+) röda klämman till fordonets positiva batteripol.
5. Koppla den negativa (-) svarta klämman till chassi eller en kraftig, icke-rörlig metalldel på fordonet eller en chassidel. Anslut aldrig klämman direkt till negativ batteripol eller rörlig del. Mer information finns i bilens handbok.
6. Ställ enhetens strömbrytare (7) i läget ON.
7. Gör ett starförsök som varar 3 till 6 sekunder.
- ◆ Om motorn inte startar inom 6 sekunder låter du enhetens inbyggda batteri svalna i 3 minuter innan du gör nästa försök.
8. När motorn startar ställer du enhetens strömbrytare (7) i läget OFF.
9. Låt fordonets motor gå.
10. Koppla loss den (-) svarta klämman som kopplats till motorn eller chassit först och därefter den (+) röda klämman som kopplats till batteriets positiva (+) pol.
11. Tryck försiktigt in änden på den negativa (svarta) startbatterikabeln i förvaringskanalen (börja med den ände som är längst från klämman).
12. Sätt fast den negativa (svarta) klämman på klämhållaren (12).
13. Tryck försiktigt in änden på den positiva (röda) startbatterikabeln i förvaringskanalen (börja med den ände som är längst från klämman).
14. Sätt fast den positiva (röda) klämman på klämhållaren (12).
15. Ladda enheten så fort som möjligt.

Så här använder du lysdioderna (fig. A)

Lysdioderna (1) fungerar upp till 50 timmar på en full laddning. Lysdiodernas drifttid är 100 000 timmar.

- ◆ Tryck på strömbrytaren för lysdioderna (8) på enhetens övre panel när du vill slå på lysdioderna (1).

- ◆ Tryck en gång till på strömbrytaren för lysdioderna (8) för att släcka lysdioderna (1).

Kontrollera att lysdioderna är avslagna när enheten laddas eller förvaras.

Underhåll

Den här Black & Decker-apparaten har konstruerats för att fungera under lång tid med minsta möjliga underhåll.

Med rätt underhåll och regelbunden rengöring behåller den sina prestanda.

Varning! Dra ur nätkontakten innan du utför underhåll på eller rengör apparaten.

- ◆ Torka av apparaten med en fuktig trasa ibland. Använd aldrig rengöringsmedel med lösnings- eller slipmedel. Doppa aldrig apparaten i vatten.
- ◆ Efter varje laddning ska batteriklämmorna (2) rengöras, och eventuell batterivätska måste avlägsnas, eftersom denna verkar korroderande på klämmorna (2).
- ◆ Rengör batteriladdarens utsida med en mjuk trasa och vid behov också med en mild tvällösning.
- ◆ Låt inte vätska tränga in i batteriladdaren. Använd inte batteriladdaren om den är våt.
- ◆ Låt batteriladdarens sladdar ligga löst hoprullade när de inte används, så att de inte tar skada.

Miljö



Separat insamling. Produkten får inte kastas i hushållssoporna.

Tänk på miljön när du slänger denna Black & Decker-produkt. Släng den inte tillsammans med hushållsavfallet. Lämna produkten för separat insamling.



Insamling av uttjänta produkter och förpackningsmaterial gör att material kan återanvändas. Användning av återvunnet material minskar föroreningar av miljön och behovet av råmaterial.

Lokala föreskrifter kan kräva separat insamling av elprodukter från hushållen, vid kommunala insamlingsplatser eller hos återförsäljaren när du köper en ny produkt.

Black & Decker samlar in och återvinner uttjänta Black & Decker-produkter. Om du vill utnyttja denna tjänst återlämnar du produkten till en auktoriserad verkstad, som samlar in den för vår räkning.

För information om närmaste auktoriserade verkstad, kontakta det lokala Black & Decker-kontoret på den adress som är angiven i bruksanvisningen. En lista över alla auktoriserade verkstäder samt servicevillkor finns även tillgänglig på Internet: www.2helpU.com.



Blybatterier kan laddas om många gånger.

Kassera batterierna på ett miljövänligt sätt när de är förbrukade:

- ◆ Elda inte upp batteriet, då detta kan leda till att det exploderar.
- ◆ Blybatterier (Pb) är återvinningsbara. De får inte kastas i hushållssoporna. Batteriet måste tas ur och kasseras i enlighet med lokala bestämmelser.
- ◆ Undvik att kortsluta batteripolerna.
- ◆ Tänk på att batteriet är tungt.
- ◆ Försök i möjligaste mån ladda ur batteriet helt med apparaten.

Packa in batteriet så att polerna inte kan kortsutas.

Ta med batteriet till en auktoriserad verkstad eller en återvinningsstation. Insamlade batterier återvinns eller kasseras på ett korrekt sätt.

Tekniska data

	BDJS350	BDJS450
Batteri	Typ 12 V, 9 Ah tätat blybatteri	12 V, 17 Ah tätat blybatteri
Uteffekt (momentant)	A 350	450
Uteffekt (konstant i 5 sekunder)	A 200	300
Vikt	kg 4,00	6,4
Batteriladdare		
Inspänning	VAC 230	230
Laddningstid cirka	h 48	48
Vikt	kg 0,32	0,48

EC-förklaring om överensstämmelse

BDJS350/BDJS450

Black & Decker förklarar att dessa produkter
överensstämmer med:
Normer och lagstiftning.
EN60335, 2006/95/EC

Undertecknad är ansvarig för sammanställningen
av tekniska data och gör denna försäkran på
Black & Deckers vägnar.



Kevin Hewitt
Director of Consumer Engineering
Spennymoor, County Durham, DL16 6JG,
Storbritannien
2008-06-25

Garanti

Black & Decker garanterar att produkten är fri från material- och/eller fabriktionsfel vid leverans till kund. Garantin gäller utöver konsumentens rättigheter enligt lag och påverkar inte dessa. Garantin gäller inom medlemsstaterna i Europeiska Unionen och i det Europeiska Frihandelsområdet.

Om en Black & Decker-produkt går sönder på grund av material- och/eller fabriktionsfel eller brister i överensstämmelse med specifikationen, inom 24 månader från köpet, åtar sig Black & Decker att reparera eller byta ut produkten med minsta besvär för kunden, förutom om:

- ◆ Produkten har använts kommersiellt, yrkesmässigt eller för uthyrning.
- ◆ Produkten har utsatts för felaktig användning eller skötsel.
- ◆ Produkten har skadats av främmande föremål, ämnen eller genom olyckshändelse.
- ◆ Reparation har utförts av någon annan än en auktoriserad Black & Decker-verkstad.

För att utnyttja garantin skall produkten och inköpskvittot lämnas till återförsäljaren eller till en auktoriserad verkstad senast 2 månader efter det att felet har upptäckts. För information om närmaste auktoriserade verkstad, kontakta det lokala Black & Decker-kontoret på den adress som anges i bruksanvisningen. En förteckning över alla auktoriserade verkstäder samt servicevillkor finns även tillgängliga på Internet: www.2helpU.com

Besök vår webbplats www.blackanddecker.se för att registrera din nya Black & Decker-produkt och för att få information om nya produkter och specialerbjudanden. Ytterligare information om märket Black & Decker och vårt produktsortiment återfinns på www.blackanddecker.se.

Bruksområde

Din Black & Decker nødstarter er konstruert for å gi ekstra strøm til blybatterier ved start av bilmotorer. Produktet er kun ment for bruk i private husholdninger og som forbrukerprodukt.

Sikkerhetsinstrukser

Advarsel! Ved bruk av batteridrevne apparater må grunnleggende sikkerhetsforholdsregler (inkludert punktene som er beskrevet nedenfor) alltid følges for å redusere risikoen for brann, batterilekkasje, personskade og skade på materiell.

- ◆ Les hele håndboken nøye før du bruker apparatet.
- ◆ Tiltent bruk er beskrevet i denne håndboken. Bruk av tilbehør eller utføring av oppgaver som ikke er anbefalt for apparatet i denne håndboken, kan medføre fare for personskade.
- ◆ Oppbevar håndboken for fremtidig referanse.

Bruk av apparatet

- ◆ Vær alltid forsiktig når du bruker apparatet.
- ◆ Dette apparatet skal ikke brukes av barn eller svake personer uten tilsyn.
- ◆ Apparatet skal ikke brukes som leketøy.
- ◆ Brukes bare i tørre omgivelser. Ikke la apparatet bli fuktig.
- ◆ Ikke senk apparatet ned i vann.
- ◆ Ikke åpne apparatet. Det er ingen deler inni som kan repareres av brukere.
- ◆ Ikke arbeid med apparatet i eksplosjonsfarlige omgivelser, som for eksempel der det befinner seg brennbare væsker, gass eller støv.
- ◆ Dra aldri i kablet når du skal ta støpselet ut av stikkkontakten. Da risikerer du å skade både den og støpselet.

Etter bruk

- ◆ Når apparatet ikke er i bruk, skal det oppbevares på et tørt og luftig sted utenfor barns rekkevidde.
- ◆ Barn skal ikke ha tilgang til apparater som ikke er i bruk.
- ◆ Når apparatet oppbevares eller transporteres i et kjøretøy, bør det plasseres i bagasjerommet eller låses, slik at det ikke påvirkes av raske farts- eller retningsendringer.
- ◆ Apparatet må beskyttes mot direkte sollys, varme og fuktighet.

Kontroll og reparasjon

- ◆ Kontroller at apparatet ikke er skadet eller har defekte deler før du bruker det. Kontroller om noen av delene har sprekker, om bryterne er skadet eller om det er andre forhold som kan ha innvirkning på driften.

- ◆ Ikke bruk apparatet hvis det har skadde eller defekte deler.
- ◆ Overlat reparasjon eller utskifting av skadde eller defekte deler til et autorisert serviceverksted.
- ◆ Forsøk aldri å fjerne eller skifte ut andre deler enn de som er oppgitt i denne håndboken.

Spesielle sikkerhetsinstrukser for nødstartere

Apparatet er merket med følgende symboler:



Les hele denne bruksanvisningen grundig.



LED – generator ok



Indikator for omvendt polaritet.

- ◆ Kjøretøyer kan ha elektriske og elektroniske systemer (f.eks. motorstyringssystem, mobiltelefon) som kan bli skadet dersom de utsettes for høy startspenning og spenningsstopper. Før du kople apparatet til kjøretøyet, må du lese brukerhåndboken for kjøretøyet for å sjekke at eksternt starthjelp er tillatt.
- ◆ Følg disse instruksene og instruksene fra batteriproduzenten, kjøretøysproduzenten og produsenten av annet utstyr som du tenker å bruke sammen med denne enheten. Les gjennom etikettene med advarsler på disse produktene og på kjøretøyet.
- ◆ Dette apparatet er ikke konstruert for å erstatte et bilbatteri. Ikke prøv å bruke et kjøretøy uten montert batteri.
- ◆ Apparatet må bare koples til et 12 V blybatteri. Ikke bruk apparatet for å lade tørrbatterier som vanligvis brukes i apparater til hjemmebruk. Disse batteriene kan eksplodere og føre til personskader og materielle skader.
- ◆ Kontroller polariteten til kjøretøyet batteriklemmer før du kople til apparatet. Kople alltid til nødstarterens minuskabel (svart) først. Deretter kople du til nødstarterens plusskabel (rød).
- ◆ PÅ/AV-bryteren skal stå i AV-stilling før du kople apparatet til en strømkilde eller last, når enheten lader og når den ikke er i bruk.
- ◆ Du må aldri la de røde og svarte klemmene berøre hverandre eller en annen felles metalleder. Det kan føre til skader på apparatet og/eller fare for gnister/eksplosjon. Batteriklemmene skal alltid oppbevares i de innebygde hylstrene når de ikke er i bruk.

- ◆ Når du bruker denne enheten i nærheten av kjøretøyets batteri og motor, må du plassere enheten på et flatt, stabilt underlag og kontrollere at alle klemmer, ledninger, klær og kroppsdelene holdes på avstand fra kjøretøyets bevegelige deler.
- ◆ Dette apparatet inneholder et tett blybatteri. Det anbefales å la apparatet ligge flatt under oppbevaring, bruk og ladning.

Advarsel! Det kan komme eksplosiv gass ut av blybatterier under ladning, og under ekstreme forhold kan det oppstå batterilekkasje. Sørg for at området er godt ventilert når du utfører nødstart og ladning.

- ◆ Ikke lad apparatet med 12 V-kontakten når det sitter personer i kjøretøyet. Sørg for at området er godt ventilert.
- ◆ For å redusere risikoen for elektrisk støt må du kople apparatet fra enhver strømkilde før du vedlikeholder eller rengjør det. Risikoen reduseres ikke ved at bryterne slås av uten at apparatet koples fra strømmen.
- ◆ Pass på at apparatet koples fra alle ladestrømkilder før du begynner nødstartingen.
- ◆ Du må aldri prøve å bruke AC- og DC-ladekontakten samtidig.

Ytterligere sikkerhetsinstruksjoner for batterier og ladere

Batterier

- ◆ Forsøk ikke å åpne uansett hvilket formål du måtte ha.
- ◆ Ikke utsett batteriet for vann.
- ◆ Skal ikke oppbevares på steder der temperaturen kan overskride 40 °C.
- ◆ Skal lades bare ved omgivelsestemperaturer mellom 4 °C og 40 °C.
- ◆ Bruk bare ladere av typen som følger med apparatet.
- ◆ Følg instruksene som finnes i avsnittet "Miljø" når du skal kaste batterier.
- ◆ Under ekstreme forhold kan batterilekkasje forekomme. Hvis du oppdager væske på batteriene, tørker du den forsiktig av med en klut. Unngå kontakt med huden.
- ◆ Hvis væsken kommer i kontakt med huden eller øynene, følger du instruksjonene nedenfor.

Advarsel! Batterivæsken er fortynnet svovelsyre og kan føre til person- eller materialskade. Ved hudkontakt renses du umiddelbart med vann. Hvis huden blir rød eller irritert eller smerter inntreffer, søk øyeblikkelig medisinsk hjelp. Hvis væsken kommer i kontakt med øynene, rens umiddelbart med vann og søk øyeblikkelig medisinsk hjelp.

Ladere

Laderen er konstruert for en bestemt spenning. Kontroller alltid at nettspenningen er i overensstemmelse med spenningen på typeskiltet.

Advarsel! Prøv aldri å skifte ut laderen med en vanlig nettplugg.

Bruk bare Black & Decker-laderen til å lade batteriet i apparatet som laderen kom sammen med. Andre batterier kan bryte og føre til personlig skade.

- ◆ Prøv aldri å lade ikke-oppladbare batterier.
- ◆ Skift ut defekte ledninger umiddelbart.
- ◆ Ikke utsett laderen for vann.
- ◆ Ikke åpne laderen.
- ◆ Ikke stikk gjenstander eller fingre ned i laderen.

Batteriet må plasseres på et sted med god gjennomlufting når det lades.



Feilsikker skilletransformator. Nettstrømtilførselen er elektrisk skilt fra transformatorutgangen.



Laderen slår seg av automatisk hvis temperaturen i omgivelsene blir for høy. Som følge av dette vil ikke laderen virke. Ladeenheten må kobles fra strømforsyningen og repareres på et autorisert serviceverksted.



Les hele denne bruksanvisningen grundig.



Apparatet er bare beregnet for innendørs bruk.

Elektrisk sikkerhet



Dette apparatet er dobbeltisolert. Jording er derfor ikke nødvendig. Kontroller at spenningen er i overensstemmelse med spenningen på typeskiltet.

- ◆ Hvis strømledningen blir skadet, må den skiftes av produsenten eller et autorisert Black & Decker-servicesenter for å unngå fare.

Funksjoner

Dette apparatet inneholder noen av eller alle funksjonene nedenfor:

1. Lys i indikatorområde
2. Ekstra kraftige kobberklemmer
3. På/av-bryter for lys i indikatorområdet
4. Indikator for omvendt polaritet
5. Nødstarterkabler
6. Ladeadapter
7. PÅ/AV-bryter
8. Bærehåndtak
9. Batteristatusknapp
10. Indikatorer for batteristatus
11. 12 V DC ladesokkel
12. Klemmeholdere

BRUK

Lade opp enheten (figur A)

Denne enheten ble levert i delvis oppladet tilstand.

- ◆ Lad enheten i 48 timer med ladeadapteren (6) før første gangs bruk.

Blybatterier krever regelmessig vedlikehold for å sikre full kapasitet og lang levetid. Alle batterier taper strøm gjennom selvutladning over tid, og dette skjer raskere ved høye temperaturer. Black & Decker anbefaler å lade batteriet hver 60. dag når enheten ikke er i bruk.

- ◆ Kontroller batteriets oppladningsnivå ved å trykke på batteristatusknappen (9). Ladeindikatoren display (10) vil vise batteriets oppladningsnivå. Lad enheten når bare en rød LED lyser.

Merknad: Dersom batteriet lades etter hver bruk, forlenges batteriets levetid; hyppige dype utladninger mellom oppladningene, og/eller overladning vil redusere batteriets levetid.

Batteriet kan lades med ladeadapteren (6) for nettstrøm.

Lading av enheten med laderen (figur A)

Kontroller at PÅ/AV-bryteren (7) og lyset for indikatorområdet (1) er slått av mens enheten lades.

Ettersom ladningen skrider frem, vil de røde indikatorene tennes en etter en.

- ◆ Lad enheten til den grønne FULLT-indikatoren lyser.
- ◆ Fortsett å lade i ytterligere én til to timer.

Merknad: Ladeadapteren bør ikke være tilkoplest i mer enn 60 timer.

- ◆ Når ladningen er avsluttet, kople fra ladeadapteren (6) og oppbevar den på et trygt sted.

Bruk av enheten som nødstarter (figur A og B)

Advarsel! Sørg for at kjøretøyet står i fri med parkeringsbremsen på.

Merknad: Hvis du har koplet galt, piper enhetene kontinuerlig, og den røde indikatoren (4) for omvendt polaritet lyser, selv om PÅ/AV-bryteren (7) er i stillingen AV. Rett forbindelsene straks.

Advarsel! Pass på at kablene ikke er i veien for banen til belter eller vifte i bevegelse.

1. Slå av tenningen i kjøretøyet og alt tilbehør før du foretar noen tilkoplinger.
2. Kontroller at enhetens PÅ/AV-bryter (7) er slått AV.
3. Prosedyren under er beregnet på et negativt jordsystem, dvs. at batteriets minusklemme er koplet til chassiset.
4. Kople den røde plussklemmen (+) til plussterminalen på bilbatteriet.
5. Kople den negative (-) svarte klemmen til kjøretøyets chassis eller til en massiv, ubevegelig metallkomponent eller chassisdel på kjøretøyet. Kople den aldri direkte til den negative terminalen på batteriet eller til en bevegelig del. Se bilens brukerhåndbok.
6. Sett enhetens PÅ/AV-bryter (7) i stillingen PÅ.
7. Start kjøretøyet, og la motoren dreie i omganger på 3 til 6 sekunder.
- ◆ Starter ikke motoren innen 6 sekunder, må du la enhetens innebygde batteri avkjøles i 3 minutter før du gjør et nytt forsøk.
8. Sett enhetens PÅ/AV-bryter (7) i stillingen AV når kjøretøyet starter.
9. La kjøretøyets motor være i gang.
10. Kople først fra den svarte (-) klemmen som var forbundet med motoren eller chassiset, og deretter den røde (+) klemmen som var forbundet med plussterminalen (+) på batteriet.
11. Press minus-startkabelen (svart) forsiktig inn i oppbevaringskanalen igjen. Begynn i den enden som er lengst borte fra klemmen.
12. Fest den negative klemmen (svart) på klemmeholderen (12).
13. Press pluss-startkabelen (rød) forsiktig inn i oppbevaringskanalen igjen. Begynn i den enden som er lengst borte fra klemmen.
14. Fest den positive klemmen (rød) på klemmeholderen (12).
15. Lad enheten så snart som mulig.

Bruke lyset i indikatorområdet (figur A)

Lyset i indikatorområdet (1) vil fungere i inntil 50 timer når batteriet er fullt oppladet. Levetiden for lyset i indikatorområdet er 100 000 timer.

- ◆ Trykk på på/av-knappen (3) for indikatorområdelysen på enhetens øvre panel for å slå lyset i indikatorområdet (1) på.
- ◆ Trykk på på/av-bryteren for indikatorområdet (3) igjen for å skru av lyset (1) i indikatorområdet.

Kontroller at lyset i indikatorområdet er slått av når enheten lagres eller oppbevares.

Vedlikehold

Black & Decker-verktøyet/apparatet er konstruert for å være i drift over lengre tid med et minimum av vedlikehold.

Det er avhengig av godt vedlikehold og regelmessig rengjøring for å fungere som det skal til enhver tid.

Advarsel! Før du utfører noe vedlikehold på eller rengjøring av verktøyet/apparatet, må du koble fra strømmen.

- ◆ Av og til kan du tørke av apparatet med en fuktig klut. Ikke bruk slipende eller løsemiddelbaserte rengjøringsmidler. Ikke senk apparatet ned i vann.
- ◆ Etter hver gangs bruk rengjør du batteriklemmene (2) og passer på å fjerne all batterivæske som vil forårsake korrosjon på klemmene (2).
- ◆ Rengjør utsiden av huset til batteriladeren med en myk klut og om nødvendig med mildt såpevann.
- ◆ La ikke væske komme inn i batteriladeren. Ikke bruk den når batteriladeren er våt.
- ◆ Ha kablene til batteriladeren løst kveilet under oppbevaring for å forebygge skade på kablene,

Miljø



Separat fjerning. Dette produktet må ikke kastes sammen med husholdningsavfall.

Når Black & Decker-produktet er utslitt, skal det ikke kastes som husholdningsavfall. Dette produktet må kastes separat.



Hvis brukte produkter og emballasje leveres atskilt, kan materialer resirkuleres og brukes på nytt. Resirkulering av brukte produkter gir redusert miljøforurensning og mindre behov for råmaterialer.

Det kan være lokale bestemmelser for egen innsamling av elektriske produkter fra husstander, på kommunale avfallsplasser eller hos forhandleren når du kjøper et nytt produkt.

Black & Decker tar i mot brukte Black & Decker-produkter for resirkulering. Du kan levere produktet til et autorisert serviceverksted.

For informasjon om nærmeste autoriserte serviceverksted, kontakt ditt lokale Black & Decker-kontor på den adressen som er angitt i bruksanvisningen. Det finnes også en liste over autoriserte Black & Decker-serviceverksteder og opplysninger om ettersalgsservice og kontakter på Internett: www.2helpU.com.



Blybatterier kan lades opp mange ganger. Tenk på miljøet når batteriene er tomme og du skal kaste dem.

- ◆ Ikke brenn batteriet, da det kan eksplodere.
- ◆ Blybatterier (Pb) kan resirkuleres. De må ikke kastes sammen med husholdningsavfall. Batteriet må fjernes og kastes i samsvar med lokale forskrifter.
- ◆ Ikke kortslutt batteriterminalene.
- ◆ Vær oppmerksom på at batteriet er tungt.
- ◆ Bruk om mulig utstyr slik at du lader batteriet helt ut.

Ha batteriet i passende emballasje for å sikre at ikke terminalene kan kortsluttes.

Ta batteriet til et autorisert serviceverksted eller til nærmeste spesialavfallsstasjon. Innsamlede batterier vil bli resirkulert eller kastet på forsvarlig måte.

Tekniske data

	BDJS350	BDJS450
Batteri	Type 12 V 9 At tett blybatteri	12 V 17 At tett blybatteri
Strøm ut (momentan)	A 350	450
Strøm ut (konstant i 5 sekunder)	A 200	300
Vekt	kg 4,00	6,4
Batterilader		
Tilførsel	V AC 230	230
Omtrentlig ladetid	t 48	48
Vekt	kg 0,32	0,48

Samsvarserklæring for EU

BDJS350/BDJS450

Black & Decker erklærer at disse produktene overholder:
Standarder og lovreguleringer
EN60335, 2006/95/EF

Undertegnede er ansvarlig for utarbeidelsen av den tekniske dokumentasjonen og gir denne erklæringen på vegne av Black & Decker.



Kevin Hewitt
Direktør for forbrukerteknikk
Spennymoor, County Durham, DL16 6JG,
Storbritannia
25.6.2008

For å ta garantien i bruk skal produktet og kjøpekvittering leveres til forhandleren eller til et autorisert serviceverksted. For informasjon om nærmeste autoriserte serviceverksted, kontakt ditt lokale Black & Decker-kontor på den adressen som er angitt i bruksanvisningen. En oversikt over autoriserte serviceverksteder og opplysninger om ettersalgsservice og kontakter er også tilgjengelig på Internett: www.2helpU.com

Besøk vårt webområde www.blackanddecker.no for å registrere ditt nye Black & Decker-produkt og for å holde deg oppdatert om nye produkter og spesialtilbud. Du finner mer informasjon om Black & Decker og produktutvalget vårt på www.blackanddecker.no.

Garanti

Black & Decker er trygg på kvaliteten til sine produkter og tilbyr en enestående garanti. Denne garantierklæringen kommer i tillegg til dine lovbestemte rettigheter, og er ikke i konflikt med disse. Garantien er gyldig i EU- og EFTA-medlemsstatene.

Hvis et Black & Decker-produkt går i stykker på grunn av material- og/eller fabrikkasjonsfeil eller har mangler i forhold til spesifikasjonene, innen 24 måneder fra kjøpet, påtar Black & Decker seg å skifte ut defekte deler, reparere produkter som har vært utsatt for alminnelig slitasje, eller bytte ut slike produkter med minst mulig vanskelighet for kunden, med mindre:

- ◆ produktet har vært brukt i yrkes-/næringsvirksomhet eller til utleie.
- ◆ produktet har vært utsatt for feilaktig bruk eller mislighold.
- ◆ produktet har blitt skadet av fremmede gjenstander eller stoffer eller ved et uhell.
- ◆ reparasjoner er forsøkt utført av andre enn autoriserte serviceverksteder eller Black & Deckers serviceteknikere.

Anvendelsesområde

Denne Black & Decker jump-starter er beregnet til at give blybatterier ekstra styrke ved start af bilmotorer. Dette produkt er kun beregnet til privat brug.

Sikkerhedsvejledninger

Advarsel! Ved brug af batteridrevne apparater er det vigtigt, at grundlæggende sikkerhedsforholdsregler, herunder bl.a. nedenstående, altid følges for at mindske risikoen for brand, batterilækage, personskade og tingskade.

- ◆ Læs hele denne vejledning omhyggeligt, før du bruger apparatet.
- ◆ Apparats påtænkte anvendelse fremgår af vejledningen. Brugen af ekstraudstyr eller tilbehør eller udførelse af opgaver med apparatet ud over de i brugervejledningen anbefalede kan medføre risiko for personskade.
- ◆ Opbevar denne vejledning til fremtidig brug.

Brug af apparatet

- ◆ Vær altid opmærksom ved brugen af apparatet.
- ◆ Dette apparat må ikke bruges af børn eller svagelige personer uden opsyn.
- ◆ Apparatet må ikke bruges som legetøj.
- ◆ Apparatet må kun bruges på tørre steder. Lad ikke apparatet blive vådt.
- ◆ Apparatet må ikke nedsænkes i vand.
- ◆ Kabinettet må ikke åbnes. Der er ingen dele inde i kabinettet, som kan serviceres af brugeren.
- ◆ Brug ikke apparatet i eksplosive omgivelser, f.eks. hvor der er brændbare væsker, gasser eller støv.
- ◆ Træk aldrig i ledningen for at tage stikket ud af en stikkontakt; det kan beskadige stik eller ledninger.

Efter brug

- ◆ Når apparatet ikke er i brug, skal det opbevares på et tørt sted med god ventilation, hvor det er utilgængeligt for børn.
- ◆ Børn må ikke have adgang til opbevarede apparater.
- ◆ Når apparatet opbevares eller transporteres i et køretøj, skal det anbringes i bagagerummet eller fastgøres, for at forhindre at det flytter sig som følge af pludselige ændringer i hastighed eller retning.
- ◆ Apparatet skal beskyttes mod direkte sollys, varme og fugt.

Eftersyn og reparationer

- ◆ Før brug skal apparatet kontrolleres for beskadigede eller defekte dele. Se efter knækkede dele, skader på kontakter og eventuelle andre tilstande, der kan påvirke apparatets drift.

- ◆ Brug ikke apparatet, hvis nogen af dets dele er beskadigede eller defekte.
- ◆ Få beskadigede eller defekte dele repareret eller udskiftet på et autoriseret værksted.
- ◆ Forsøg aldrig at fjerne eller udskifte dele ud over dem, der er beskrevet i denne vejledning.

Specifikke sikkerhedsinstruktioner til jump-startere

Følgende symboler er anbragt på apparatet:



Læs hele betjeningsvejledningen omhyggeligt.



LED for generator i orden.



Indikator for omvendt polaritet.

- ◆ Der kan være elektriske og elektroniske systemer i køretøjer (f.eks. et motorstyringssystem eller en mobiltelefon), som kan blive beskadiget, hvis de udsættes for høje start- og spidsspændinger. Læs instruktionsbogen til køretøjet for at kontrollere, om ekstern starthjælp er tilladt, inden du slutter apparatet til køretøjet.
- ◆ Følg disse instruktioner og instruktionerne fra producenten af batteriet, køretøjet og evt. udstyr, du har til hensigt at anvende sammen med denne enhed. Gennemgå advarselsetiketterne på disse produkter og på køretøjet.
- ◆ Dette apparat er ikke beregnet til brug som en erstatning for køretøjets batteri. Forsøg ikke at anvende det til et køretøj, hvor der ikke i forvejen er installeret et batteri.
- ◆ Apparatet må kun tilsluttes et 12 V-blybatteri. Brug ikke apparatet til opladning af tørrellebatterier, der ofte anvendes i husholdningsapparater. Disse batterier kan eksplodere og anrette skade på personer og ejendom.
- ◆ Kontroller polariteten på køretøjets batteriterminaler, inden apparatet tilsluttes. Kobl altid først det negative (sorte) startkabel fra efterfulgt af det positive (røde) startkabel.
- ◆ Når enheden oplader og ikke er i brug, skal afbryderkontakten stå på OFF inden tilslutning til en strømkilde eller belastning.

- ◆ Lad aldrig den røde og sorte klemme berøre hinanden eller en anden, fælles metalleder. Det kan forårsage skader på apparatet og/eller gnistdannelse/eksplosionsfare. Opbevar altid batteriklemmerne i de indbyggede hylstre, når de ikke er i brug.
- ◆ Stå på en plan, stabil overflade, og hold klemmer, ledninger, tøj og kropsdele på afstand af køretøjets bevægelige dele, når denne enhed anvendes i nærheden af køretøjets batteri og motor.
- ◆ Dette apparat indeholder et forsejlet blybatteri. Det anbefales, at apparatet placeres liggende under opbevaring, brug og opladning.

Advarsel! Der kan trænge eksplosiv gas ud af blybatterier under opladning, og under ekstreme forhold kan der opstå batterilækage. Sørg for grundig udluftning ved jump-start og under opladning.

- ◆ Oplad ikke apparatet med 12 V-stikket, mens der er personer i køretøjet. Sørg for grundig udluftning.
- ◆ For at reducere risikoen for elektrisk stød skal apparatet kobles fra alle strømkilder, inden det vedligeholdes eller rengøres. Risikoen reduceres ikke ved blot at slukke apparatet uden at koble det fra.
- ◆ Kontroller, at apparatet er koblet fra alle opladningskilder, inden der foretages jump-start.
- ◆ Forsøg aldrig at bruge jævnstrømsopladeren og vekselstrømsopladeren samtidigt.

Yderligere sikkerhedsvejledninger for batterier og ladere

Batterier

- ◆ Forsøg aldrig at åbne uanset årsag.
- ◆ Batteriet må ikke udsættes for fugt.
- ◆ Opbevar ikke på steder, hvor temperaturen kan overstige 40°C.
- ◆ Fortag kun opladning ved omgivelsestemperaturer mellem 4°C og 40°C.
- ◆ Brug kun de ladere, der fulgte med apparatet, til opladning.
- ◆ Følg vejledningen i afsnittet "Miljø" ved bortskaffelse af batterier.
- ◆ Under ekstreme forhold kan der forekomme batterilækage. Når du bemærker væske på batterierne, skal du omhyggeligt tørre væsken af med en klud. Undgå kontakt med huden.
- ◆ I tilfælde af kontakt med hud eller øjne, skal du følge nedenstående instrukser.

Advarsel! Batterivæsken er en fortyndet svovlsyre, der kan forårsage personskade eller materielle skader. I tilfælde af kontakt med huden skylles straks med vand. Hvis der opstår rødme, smerte eller irritation, skal der søges læge. I tilfælde

af kontakt med øjnene skylles straks med rent vand, og der søges straks læge.

Ladere

Laderen er udviklet til en specifik spænding. Kontrollér altid, at netspændingen svarer til spændingen på typeskiltet.

Advarsel! Forsøg aldrig at erstatte laderenheden med et almindeligt netstik.

Brug kun din Black & Decker-lader til at oplade batteriet i det værktøj, som den blev leveret sammen med. Andre batterier kan eksplodere og forårsage personskade og materielle skader.

- ◆ Prøv aldrig på at oplade ikke-opladelige batterier.
- ◆ Udskift straks defekte ledninger.
- ◆ Laderen må ikke udsættes for fugt.
- ◆ Laderen må ikke åbnes.
- ◆ Undersøg ikke laderen.

Batteriet skal anbringes et sted med god udluftning, når det oplades.



F Fejsikker skilletransformer. Netforsyningen er elektrisk adskilt fra transformerudgangen.



Laderen slår automatisk fra, hvis omgivelsestemperaturen bliver for høj. Som følge deraf holder laderen op med at fungere. Laderens basisenhed skal afbrydes fra netforsyningen og indleveres til reparation på et autoriseret værksted.



Læs hele betjeningsvejledningen omhyggeligt.



Dette apparat er kun beregnet til indendørs brug.

Elektricitet og sikkerhed



Dette værktøj er dobbelt isoleret. Derfor er jordledning ikke nødvendig. Kontrollér altid, at strømforsyningen svarer til spændingen på typeskiltet.

- ◆ Hvis netledningen beskadiges, skal den udskiftes af producenten eller et autoriseret Black & Decker-værksted, så farlige situationer undgås.

Funktioner

Dette apparat leveres med nogle af eller alle følgende egenskaber:

1. LED-lys
2. Kraftige kobberklemmer
3. Afbryderkontakt til LED-lys
4. Indikator for omvendt polaritet
5. Startkabler
6. Netladeadapter
7. Afbryderkontakt
8. Bærehåndtag
9. Trykknop for batteristatus
10. Lysdioder for batteristatus
11. 12 V DC-ladestikkontakt
12. Klemmeholdere

ANVENDELSE

Opladning af enheden (fig. A)

Denne enhed leveres i delvist opladet tilstand.

- ◆ Oplad enheden med netladeadapteren (6) i 48 timer, inden den tages i brug.

Blybatterier kræver regelmæssig vedligeholdelse, hvis de skal bevare deres ladekapacitet og holde længe. Alle batterier taber energi over tid pga. selvafledning. Jo højere temperaturer, desto hurtigere sker afladningen. Black & Decker anbefaler, at batteriet som minimum oplades hver 60. dag, når enheden ikke er i brug.

- ◆ Kontroller batteriets ladeniveau ved at trykke på batteristatusknappen (9). Lysdioden for ladestatus (10) viser batteriets ladeniveau. Oplad enheden, når kun én rød lysdiode lyser.

Bemærk: Opladning af batteriet efter brug kan forlænge dets levetid. Hyppige, kraftige afladninger mellem opladningerne og/eller overopladning reducerer batteriets levetid.

Batteriet kan oplades med netladeadapteren (6).

Opladning af enheden med netladeren (fig. A)

Kontroller, at afbryderkontakten (7) og LED-lyset (1) er slukket, mens enheden oplades.

De røde lysdioder tændes en efter en i takt med, at opladningen skrider frem.

- ◆ Oplad enheden, indtil den grønne lysdiode for FULD lyser.
- ◆ Fortsæt opladningen i yderligere en eller to timer.

Bemærk: Netladeren må højst være tilsluttet i 60 timer.

- ◆ Kobl netladeadapteren (6) fra, når opladningen er færdig, og opbevar den et sikkert sted.

Brug af enheden som jump-starter (fig. A og B)

Advarsel! Sæt køretøjet i frigear, og træk håndbremsen.

Bemærk: Hvis tilslutningen ikke udføres korrekt, bipper enheden vedvarende, og den røde indikator for omvendt polaritet (4) lyser, også selvom afbryderkontakten (7) står på OFF. Korrigér omgående tilslutningen.

Advarsel! Sørg for, at kablerne ikke sidder i vejen for drivremme, der bevæger sig, eller ventilatoren.

1. Sluk køretøjets tænding og alt tilbehør, inden tilslutningen.
2. Kontroller, at enhedens afbryderkontakt (7) står på OFF.
3. Følgende fremgangsmåde gælder et system med negativ jord, dvs. hvor batteriets negative terminal er tilsluttet chassiset.
4. Sæt den positive (+) røde klemme på køretøjets positive batteriterminal.
5. Sæt den negative (-) sorte klemme på chassis'et eller en massiv, ubevægelig komponent i køretøjet eller på chassiset. Sæt den aldrig direkte på batteriets negative terminal eller på en bevægelig komponent. Se instruktionsbogen til køretøjet.
6. Sæt enhedens afbryderkontakt (7) på ON.
7. Start køretøjet ved at dreje tændingsnøglen i 3 til 6 sekunder.
 - ◆ Lad enhedens interne batteri køle af i 3 minutter, inden du forsøger igen, hvis motoren ikke starter inden for 6 sekunder.
8. Sæt enhedens afbryderkontakt (7) på OFF, når køretøjet starter.
9. Lad køretøjets motor køre.
10. Frakobl først den sorte klemme (-), som er sluttet til chassiset, efterfulgt af den røde klemme (+), som er sluttet til batteriets positive (+) terminal.
11. Tryk forsigtigt den negative (sorte) startkabelledning ind i opbevaringskanalen, idet du starter i den ende, der er længst væk fra klemmen.
12. Sæt den negative (sorte) klemme fast i klemmeholderen (12).
13. Tryk forsigtigt den positive (røde) startkabelledning ind i opbevaringskanalen, idet du starter i den ende, der er længst væk fra klemmen.
14. Sæt den positive (røde) klemme fast i klemmeholderen (12).
15. Oplad enheden så hurtigt som muligt.

Brug af LED-lyset (fig. A)

LED-lyset (1) fungerer i op til 50 timer på en fuld opladning. LED-lyset har en driftslevetid på 100.000 timer.

- ◆ Tryk på LED-lysets afbryderkontakt (8) på enhedens toppanel for at tænde LED-lyset (1).

- Tryk på LED-lysets afbryderkontakt (8) igen for at slukke LED-lyset (1) igen.

Kontroller, at LED-lyset er slukket, mens enheden oplades eller opbevares.

Vedligeholdelse

Dit Black & Decker-værktøj er beregnet til at fungere i en længere periode med minimal vedligeholdelse.

Fortsat tilfredsstillende drift afhænger af korrekt behandling af værktøjet samt regelmæssig rengøring.

Advarsel! Tag apparatet ud af stikkontakten, før der udføres nogen form for vedligeholdelse eller rengøring.

- Aftør regelmæssigt apparatet med en fugtig klud. Der må ikke bruges skuremidler eller opløsningsmidler. Apparatet må ikke nedsænkes i væsker.
- Rengør batteriklemmerne (2) efter hver brug, og fjern al batterivæske, som kan forårsage korrosion på klemmerne (2).
- Rengør batteriopladerkassens udvendige side med en blød klud. Brug om nødvendigt mildt sæbevand.
- Lad ikke væske trænge ind i batteriopladeren. Anvend ikke batteriopladeren, hvis den er våd.
- Rul batteriopladerens ledninger løst sammen ved opbevaring, så de ikke beskadiges.

Miljø



Separat bortskaffelse. Dette produkt må ikke bortskaffes sammen med almindeligt husholdningsaffald.

Når dit Black & Decker-produkt en dag er udtjent, eller du ikke længere har brug for det, må du ikke smide det ud sammen med det almindelige affald. Produktet skal bortskaffes separat.



Ved separat bortskaffelse af brugte produkter og emballage bliver der mulighed for at genanvende forskellige materialer. Genanvendelse af materialer medvirker til at forebygge miljøforurening og mindsker behovet for råstoffer.

Lokal lovgivning kan kræve separat indsamling af elektriske husholdningsapparater på kommunale affaldsdepoter eller af den detailhandlende ved køb af et nyt produkt.

Black & Decker sørger for at indsamle og genanvende Black & Decker-produkter, når disse ikke længere kan bruges. Hvis du vil benytte dig af denne service, skal du returnere produktet til et autoriseret værksted, der indsamler produkterne for os.

Kontakt det lokale Black & Decker-kontor på den adresse, der er angivet i denne vejledning, for at få oplysninger om det nærmeste autoriserede værksted. En liste over alle autoriserede Black & Decker-serviceværksteder samt servicevilkår og kontaktpersoner er tilgængelig på internettet på adressen: www.2helpU.com.



Blysyrebatterier kan genoplades mange gange. Når batterier er udtjente, skal de bortskaffes under passende hensyntagen til miljøet:

- Bortskaf ikke batteriet ved at brænde det, da det kan medføre en eksplosion.
- Blysyrebatterier (Pb) kan genbruges. De må ikke bortskaffes sammen med husholdningsaffald. Batteriet skal tages ud og bortskaffes i overensstemmelse med de lokale bestemmelser.
- Kortslut ikke batteriterminalerne.
- Vær opmærksom på, at batteriet er tungt.
- Aflad om muligt batteriet helt med apparatet.

Anbring batteriet i en egnet emballage, for at sikre at terminalerne ikke kortsluttes.

Afløber batteriet på dit værksted eller en lokal genbrugsstation. Indsamlede batterier genbruges eller bortskaffes korrekt.

Tekniske data

	BDJS350	BDJS450
Batteri	Type Forseglet 12V 9 Ah-blybatteri	Forseglet 12V 17 Ah- blybatteri
Udgangseffekt (øjeblikkelig)	A 350	450
Udgangseffekt (konstant i 5 sekunder)	A 200	300
Vægt	kg 4,00	6,4
Batterioplader		
Indgang	VAC 230	230
Ladetid ca.	t 48	48
Vægt	kg 0,32	0,48

EU-overensstemmelseserklæring

BDJS350/BDJS450

Black & Decker erklærer, at disse produkter er i overensstemmelse med følgende standarder og lovgivning.
EN60335, 2006/95/EF

Undertegnede er ansvarlig for udarbejdelsen af de tekniske data og fremsætter denne erklæring på vegne af Black & Decker.



Kevin Hewitt
Director of Consumer Engineering
Spennymoor, County Durham, DL16 6JG,
Storbritannien
25-06-2008

For at udnytte garantien skal produktet og købskvitteringen indleveres til forhandleren eller til et autoriseret værksted. Kontakt det lokale Black & Decker-kontor på den adresse, der er opgivet i denne vejledning, for at få oplysninger om det nærmeste autoriserede værksted. En liste over alle autoriserede Black & Decker-serviceværksteder samt servicevilkår er tilgængelig på internettet på adressen:

www.2helpU.com

Gå venligst ind på vores website **www.blackanddecker.dk** for at registrere dit nye produkt og for at blive holdt ajour om nye produkter og specialtilbud. Der findes yderligere oplysninger om mærket Black & Decker og vores produktsortiment på adressen **www.blackanddecker.dk**.

Garanti

Black & Decker garanterer, at produktet er fri for materielle skader og/eller fabrikationsfejl ved levering til kunden.

Garantien er et tillæg til forbrugerens lovsikrede rettigheder og påvirker ikke disse. Garantien gælder inden for medlemsstaterne af Den Europæiske Union og i Det Europæiske Frihandelsområde.

Hvis et Black & Decker-produkt går i stykker på grund af materiel skade og/eller fabrikationsfejl eller på anden måde ikke fungerer i overensstemmelse med specifikationen inden for 24 måneder fra købsdatoen, påtager Black & Decker sig at reparere eller ombytte produktet med mindst mulig ulempe for kunden. Garantien gælder ikke for fejl og mangler, der er sket i forbindelse med:

- ◆ Produktet har været anvendt erhvervsmæssigt eller til udlejning.
- ◆ Produktet har været anvendt forkert eller er ikke vedligeholdt.
- ◆ Produktet er beskadiget af fremmedlegemer, substanser eller pga. uheld.
- ◆ Garantien gælder ikke, hvis reparationer er udført af andre end et autoriseret Black & Decker-værksted.

Käyttötarkoitus

Black & Decker -apukäynnistin on tarkoitettu antamaan lisätehoa lyijyakkuihin auton moottorin käynnistysvaiheessa. Tuote on tarkoitettu ainoastaan kotikäyttöön.

Turvallisuusohjeet

Varoitus! Käytettäessä paristokäyttöisiä laitteita on aina noudatettava perusvarotoimenpiteitä palovaaran, vuotavien paristojen, tapaturmien ja aineellisten vaurioiden välttämiseksi.

- Lue nämä ohjeet huolellisesti ennen laitteen käyttöä.
- Käyttötarkoitus kuvataan ohjeissa. Muiden kuin ohjeissa suositeltujen lisävarusteiden tai -osien käyttö sekä laitteen käyttö muuhun kuin oppaassa suositeltuun tarkoitukseen voi aiheuttaa henkilövahingon vaaran.
- Säilytä ohjeet tulevaa tarvetta varten.

Laitteen käyttö

- Ole aina huolellinen käyttäessäsi laitetta.
- Tätä laitetta ei ole tarkoitettu nuorten tai lihasvoimaltaan heikkojen henkilöiden käyttöön ilman valvontaa.
- Laitetta ei tule käyttää leluina.
- Soveltuu vain kuivaan käyttöympäristöön. Älä anna laitteen kastua.
- Älä upota laitetta veteen.
- Älä avaa laitteen koteloa. Sen sisällä ei ole käyttäjän huollettavissa olevia osia.
- Älä käytä laitetta räjähdysalttiissa ympäristössä, jossa on palavaa nestettä, kaasua tai pölyä.
- Älä koskaan irrota johtoa pistorasiasta johdosta vetäen. Pistoke tai johto voi vahingoittua.

Käytön jälkeen

- Kun laitetta ei käytetä, säilytä sitä kuivassa, ilmastussa paikassa poissa lasten ulottuvilta.
- Pidä laite lasten ulottumattomissa.
- Kun laitetta säilytetään tai kuljetetaan ajoneuvossa, sijoita se tavaratilaan tai kiinnitä se kunnolla, ettei se matkan aikana pääse liikkumaan.
- Muunnnin pitää suojata suoralta auringonvalolta, kuumuudelta ja kosteudelta.

Tarkastus ja korjaus

- Tarkista ennen laitteen käyttöä, ettei laitteessa ole vahingoittuneita tai viallisia osia. Tarkista osien ja kytkimien kunto sekä muut seikat, jotka voivat vaikuttaa laitteen toimintaan.
- Älä käytä laitetta, jos jokin osa on vahingoittunut tai viallinen.
- Korjauta tai vaihdata vaurioituneet tai vialliset osat valtuutetussa huoltoliikkeessä.

- Älä koskaan yritä korjata tai vaihtaa muita kuin ohjeissa erikseen määriteltäviä osia.

Apukäynnistimen turvaohjeet

Laitteessa on seuraavat merkinnät



Lue tämä käyttöohje huolellisesti.



Vaihtovirtalaturi kunnossa -merkkivalo.



Käänteisen polaarisuuden osoitin

- Ajoneuvossa voi olla sellaisia sähköjärjestelmiä (esim. moottorin ohjausjärjestelmä tai matkapuhelin), joita korkea käynnistysjännite ja jännitepiikit voivat vahingoittaa. Ennen kuin kytket apukäynnistimen autoon, tarkista auton käsikirjasta, onko ulkopuolisen käynnistysavun käyttö sallittu.
- Noudata annettuja ohjeita sekä niitä ohjeita, joita auton ja akun valmistaja sekä minkä tahansa muun, apukäynnistimen kanssa käytettävän laitteen valmistaja on antanut. Tarkista näiden tuotteiden ja ajoneuvon varoitusmerkinnät.
- Tätä laitetta ei ole tarkoitettu korvaamaan ajoneuvon omaa akkua. Älä yritä käyttää ajoneuvoa, jossa ei ole akkua.
- Jännitteen nostajan saa kytkeä vain 12 voltin lyijyakkuihin. Älä käytä sitä kodin sähkölaitteissa yleisesti käytettyjen kuivapariestojen tai akkujen lataamiseen. Ne voivat räjähtää ja aiheuttaa laite- ja henkilövahinkoja.
- Tarkista ajoneuvon akun napojen polaarisuus, ennen kuin kytket apukäynnistimen. Irrota aina ensin apukäynnistimen negatiivinen (musta) kaapeli. Vasta sen jälkeen irrotetaan positiivinen (punainen) kaapeli.
- ON/OFF-virtakytkimen tulee olla OFF-asennossa, kun apukäynnistin liitetään virtalähteeseen tai käynnistyskohteeseen, kun sitä ladataan tai kun se ei ole käytössä.
- Älä koskaan anna mustan ja punaisen kaapelin kiinnityspihtien koskettaa toisiaan tai sähköä johtavaa metalliesinettä, jota toinen pihti jo koskettaa. Se voi vahingoittaa laitetta ja aiheuttaa kipinöintiä ja mahdollisen räjähdysvaaran. Pihdit on aina kiinnitettävä pidikkeisiinsä, kun apukäynnistintä ei käytetä.
- Kun laitetta käytetään ajoneuvon akun ja moottorin läheisyydessä, se on asettava tukevalle ja tasaiselle alustalle. Pidä apukäynnistimen pihdit ja johdot sekä

käyttäjän vaatteet ja kädet poissa ajoneuvon liikkuvista osista.

- ◆ Tämä laite sisältää suljetun lyijyakun. On suositeltavaa sijoittaa laite vaakatasoon varastoinnin, käytön ja latauksen ajaksi.

Varoitus! Lyijyakusta voi latauksen aikana tulla räjähdysriskiä kaasua. Erityisen vaativissa oloissa on mahdollista, että akku vuotaa. Apukäynnistimen käyttö- ja lataustilassa tulee olla kunnollinen ilmanvaihto.

- ◆ Älä lataa laitetta ajoneuvon 12 voltin liitännästä silloin, kun ajoneuvossa on ihmisiä. Lataustilassa on oltava kunnollinen ilmanvaihto.
- ◆ Sähköiskujen välttämiseksi laite on irrotettava virtalähteestä ennen huoltoa ja puhdistusta. Pelkkä virran katkaisu kytkimistä ei poista sähköiskun mahdollisuutta, jos laite on kytketty virtalähteeseen.
- ◆ Varmista, että laite on irrotettu kaikista latausvirtalähteistä siinä vaiheessa, kun sitä käytetään käynnistysapuna.
- ◆ Kun laitetta ladataan verkkovirralla, älä samanaikaisesti käytä tasavirralla toimivaa latausliitäntää.

Akkuja ja laturia koskevat turvaohjeet

Paristot

- ◆ Älä koskaan yritä avata paristoja.
- ◆ Älä anna akun kastua.
- ◆ Älä säilytä akkua tiloissa, joissa lämpötila voi nousta yli 40 °C:n.
- ◆ Lataa akku paikassa, jonka lämpötila on vähintään 4 °C ja enintään 40 °C.
- ◆ Käytä vain laitteen mukana toimitettua laturia.
- ◆ Noudata paristoja hävittäessäsi kohdassa "Ympäristönsuojelu" annettuja ohjeita.
- ◆ Vaativissa oloissa voi ilmetä akkuvuotoja. Jos havaitset akkujen pinnalla nestettä, pyyhi se huolellisesti pois. Vältä ihokosketusta.
- ◆ Jos nestettä joutuu silmiin tai iholle, noudata alla olevia ohjeita.

Varoitus! Akkuneste on laimennettua rikkihappoa, joka voi aiheuttaa aineellisia tai henkilövahinkoja. Jos nestettä joutuu iholle, se on välittömästi huuhdeltava pois vedellä. Jos ihoa kirvelee tai se punottaa tai on muuten ärtynyt, kysy lisäohjeita lääkäreiltä. Jos nestettä joutuu silmiin, huuhto välittömästi puhtaalla vedellä ja mene mahdollisimman pian lääkäriin.

Laturi

Laturi on tarkoitettu tietylle jännitteelle. Tarkista, että verkkojännite vastaa laitekilvessä ilmoitettua jännitettä.

Varoitus! Älä koskaan yritä liittää laitetta suoraan verkkovirtaan käyttämättä laturia.

Käytä Black & Deckerin laturia vain laitteen mukana toimitetun akun lataamiseen. Muut akut voivat räjähtää ja aiheuttaa aineellisia tai henkilövahinkoja.

- ◆ Älä koskaan yritä ladata paristoja, joita ei ole tarkoitettu ladattavaksi.
 - ◆ Vaihda vialliset johdot välittömästi ehjiin.
 - ◆ Älä anna laturin kastua.
 - ◆ Älä avaa laturia.
 - ◆ Älä työnnä mitään laturin sisään.
- Lataa akku paikassa, jossa on kunnollinen ilmanvaihto.



F Toimintavarma eristävä muuntaja. Muuntajalähtö on eristetty sähköisesti sähköverkosta.



Laturi kytkeytyy automaattisesti pois päältä, jos ympäröivä lämpötila nousee liian korkeaksi. Tällöin laturia ei voi enää käyttää. Irrota laturi sähköverkosta ja toimita se valtuutettuun huoltoliikkeeseen korjattavaksi.



Lue tämä käyttöohje huolellisesti.



Laite on tarkoitettu vain sisäkäyttöön.

Sähköturvallisuus



Tämä laite on kaksoeristetty, joten erillistä maadoitusta ei tarvita. Tarkista aina, että syöttövirta vastaa laitekilvessä ilmoitettua jännitettä.

- ◆ Jos virtajohto vahingoittuu, sen vaihtaminen tulee turvallisuussyistä jättää valmistajan tai valtuutetun Black & Decker -huollon tehtäväksi.

Yleiskuvaus

Tässä laitteessa on kaikki seuraavat ominaisuudet tai joitakin niistä:

1. Hakuvalo
2. Kupariset kiinnityspihdit
3. Hakuvalon kytkin
4. Käänteisen polaarisuuden osoitin
5. Käynnistinkaapelit
6. Verkkovirtalaturi
7. ON/OFF-virtakytkin
8. Kantokahva
9. Akun varaustilan painike
10. Akun varaustilan merkkivalot
11. 12 V:n tasavirtalatauksen liitäntä
12. Pihtien pidikkeet

KÄYTTÖ

Laitteen lataaminen (kuva A)

Ostettaessa laitteen akku on osittain ladattu.

- ◆ Lataa laitetta ennen sen ensimmäistä käyttökertaa verkkovirtalaturilla (6) 48 tuntia.

Täyden varauskyvyn ja pitkän käyttöiän takaamiseksi lyijyakut vaativat tietyt perushuollon. Ajan mittaan kaikkien akkujen varaus purkautuu itseksään. Purkautuminen nopeutuu lämpötilan kohoamisen myötä. Kun apukäynnistintä ei käytetä, Black & Decker suosittelee sen lataamista vähintään 60 päivän välein.

- ◆ Tarkista akun varaustaso painamalla varaustilan painiketta (9). Varaustilan merkkivalot (10) osoittavat akun varaustason. Lataa laite, jos vain yksi punainen merkkivalo palaa.

Huomautus: Akun lataaminen jokaisen käyttökerran jälkeen pidentää akun käyttöikää. Usein toistuvat nopeat purkaukset latausten välillä ja/tai yllilataaminen lyhentävät akun ikää.

Apukäynnistimen akun voi ladata verkkovirtalaturilla (6).

Laitteen lataaminen verkkovirtalaturilla (kuva A)

Varmista, että virta on katkaistu ON/OFF-virtakytkimestä (7) ja hakuvalosta (1) latauksen ajaksi.

Sitä mukaan kun lataus etenee, punaiset merkkivalot syttyvät yksi kerrallaan.

- ◆ Lataa niin kauan, kunnes vihreä täyden latauksen merkkivalo (FULL) syttyy.
- ◆ Jatka latausta tämän jälkeen vielä tunnin tai kaksi.

Huomautus: Akkua saa ladata verkkovirtalaturilla enintään 60 tuntia.

- ◆ Kun akku on ladattu täyteen, irrota verkkovirtalaturi (6) ja vie se turvalliseen säilytyspaikkaan.

Apukäynnistimen käyttäminen käynnistysapuna (kuva A ja B)

Varoitus! Varmista, että ajoneuvo on vapaalla ja sen käsijarru on päällä.

Huomautus: Jos liitännät on kytketty väärin, laite antaa jatkuvaa merkkiääntä ja punainen käänteisen polaarisuuden merkkivalo (8) palaa, vaikka virtakytkin olisikin OFF-asennossa. Korjaa liitännät välittömästi.

Varoitus! Katso, etteivät kaapelit ole pyörivien hihnojen tai tuuletettimen tiellä.

1. Katkaise virta ajoneuvosta ja sen kaikkia laitteista ennen mitään kytkentöjä.
2. Varmista, että apukäynnistimen virtakytkin (7) on OFF-asennossa (virta katkaistu).
3. Alla kuvattu menettely soveltuu negatiiviseen maadoitusjärjestelmään, jossa akun negatiivinen napa liitetään ajoneuvon koriin.
4. Kiinnitä positiivinen (+) punainen kiinnityspihti ajoneuvon akun positiiviseen napaan.
5. Kiinnitä negatiivinen (-) musta pihti koriin tai sen paljaaseen, kiinteään osaan tai koriin osaan. Älä koskaan kiinnitä hauenleukaa suoraan akun miinus-napaan tai mihinkään liikkuvaan osaan. Katso lisätietoja ajoneuvon ohjekirjasta.
6. Käännä apukäynnistimen virtakytkin (7) ON-asentoon.
7. Kytke ajoneuvon virta ja starttaa moottoria 3–6 sekunnin mittaisissa jaksoissa.
 - ◆ Ellei moottori käynnisty 6 sekunnissa, anna apukäynnistimen sisäisen akun jäähtyä 3 minuuttia ennen seuraavaa käynnistysyritystä.
8. Kun ajoneuvo käynnistyy, käännä apukäynnistimen virtakytkin (7) OFF-asentoon.
9. Jätä ajoneuvon moottori käyntiin.
10. Irrota ensin ajoneuvon koriin tai moottoriin kiinnitetty musta (-) pihti ja vasta sen jälkeen akun +-napaan kiinnitetty punainen +-pihti.
11. Työnnä varovasti negatiivinen (musta) käynnistyskaapeli säilytysraansa aloittaen siitä päästä, joka on kauimpana pihdistä.
12. Purista negatiivinen (musta) pihti pidikkeeseensä (12).
13. Työnnä varovasti positiivinen (punainen) käynnistyskaapeli säilytysraansa aloittaen siitä päästä, joka on kauimpana pihdistä.
14. Purista positiivinen (punainen) pihti pidikkeeseensä (12).
15. Lataa apukäynnistin mahdollisimman pian.

Hakuvalon käyttäminen (kuva A)

Hakuvalo (1) toimii jopa 50 tuntia täyteen ladatulla akulla. Hakuvalon LED kestää jopa 100 000 tuntia.

- ◆ Hakuvalo (1) syytetään painamalla laitteen yläosan käyttöpaneelissa olevaa valopainiketta (3).
- ◆ Hakuvalo (1) sammutetaan painamalla laitteen yläosan käyttöpaneelissa olevaa valopainiketta (3) uudelleen.

Hakuvalo täytyy olla sammutettu, kun laitetta ladataan tai kun sitä ei käytetä.

Huolto

Black & Deckerin työkalu/laitte on suunniteltu toimimaan mahdollisimman pitkän aikaa mahdollisimman vähällä huollolla.

Oikealla huollolla ja säännöllisellä puhdistuksella laite säilyttää suorituskykynsä.

Varoitus! Ennen huoltoa ja puhdistusta laitteen/työkalun tulee olla pois päältä ja irti virtalähteestä.

- ◆ Pyyhi laite säännöllisesti kostealla rätillä. Älä koskaan käytä puhdistamiseen liuotainaineita tai syövyttäviä puhdistusaineita. Älä upota laitetta veteen.
- ◆ Puhdista hauenleuat (2) jokaisen käyttökerran jälkeen. Puhdista niistä huolellisesti kaikki akkuneste, sillä se voi aiheuttaa hauenleukoihin (2) korroosiota.
- ◆ Puhdista latauslaitteen ulkopinta pehmeällä kankaalla ja tarvittaessa miedolla saippualliuoksella.
- ◆ Älä päästä latauslaitteeseen nestettä. Älä käytä latauslaitetta, jos se on märkä.
- ◆ Säilytä latauslaitteen johtoa löysällä kiepillä, jotta johto ei vaurioidu.

Ympäristö



Erillinen keräys. Tätä tuotetta ei saa hävittää normaalin kotitalousjätteen kanssa.

Kun Black & Decker -laitteesi aikanaan täytyy vaihtaa tai ei kelpaa enää käyttöön, älä hävitä laitetta kotitalousjätteen mukana. Toimita laite kierrätettäväksi.



Käytettyjen tuotteiden ja pakkausmateriaalien erilliskeruun avulla materiaalit voidaan kierrättää ja käyttää uudelleen. Kierrätysmateriaalien käyttö auttaa vähentämään ympäristön saastumista ja uusien raaka-aineiden tarvetta.

Paikallisissa säädöksissä voidaan määrätä, että kodin sähkötuotteiden keruu tapahtuu kaupunkien jätteidenkäsittelyasemilla tai laitteita myyvissä liikkeissä uuden tuotteen oston yhteydessä.

Kun laiteesi on käytetty loppuun, älä heitä sitä tavallisten roskien mukana pois, vaan vie se paikkakuntasi kierrätyskeskukseen tai jätä valtuutettuun Black & Deckerin huoltooliikkeeseen.

Tiedot valtuutetuista huoltooliikkeistä saa ottamalla yhteyttä Black & Decker Oy:hyn sekä Internetistä osoitteesta www.2helpU.com.



Lyijyakkuja voi ladata useita kertoja. Hävitä loppuun kuluneet akut ympäristöstävällisesti.

- ◆ Älä hävitä akkua polttamalla, sillä akku voi räjähtää.
- ◆ Lyijyakit (Pb) voidaan kierrättää. Niitä ei saa hävittää talousjätteen mukana. Akku on poistettava ja hävitettävä paikallisten määräysten mukaisesti.
- ◆ Älä kytke akun napoja oikosulkuun.

- ◆ Huomaa, että akku on painava.
- ◆ Jos mahdollista, käytä akku täysin tyhjäksi.

Sijoita akku sopivaan pakkaukseen siten, etteivät navat pääse keskenään oikosulkuun.

Vie akku huoltoedustajalle tai paikalliseen kierrätyspisteeseen. Kerätyt akut kierrätetään tai hävitetään asianmukaisesti.

Tekniset tiedot

	BDJS350	BDJS450
Akku	Tyyppi 12 V 9 Ah suljettu lyijyakku	12 V 17 Ah suljettu lyijyakku
Lähtö (pika)	A 350	450
Lähtö (vakio)	A 200	300
5 sekunnin ajan)		
Paino	kg 4,00	6,4
Akkulaturi		
Syöttö	Vac 230	230
Arvioitu latausaika	h 48	48
Paino	kg 0,32	0,48

EU:n yhdenmukaisuusilmoitus

BDJS350/BDJS450

Black & Decker vakuuttaa näiden tuotteiden olevan seuraavien standardien vaatimusten mukaiset:

Standardit ja määräykset
EN60335, 2006/95/EY

Allekirjoittanut vastaa teknisten tietojen kokoamisesta tehden tämän ilmoituksen Black & Deckerin puolesta

Kevin Hewitt

Director of Consumer Engineering
Spennymoor, County Durham, DL16 6JG,

Iso-Britannia
25.6.2008

Takuu

Black & Decker Oy takaa, ettei tuotteessa ollut materiaali- ja/ tai valmistusvikaa silloin, kun se toimitettiin ostajalle. Takuu on lisäys kuluttajan laillisiin oikeuksiin eikä vaikuta niihin.

Takuu on voimassa Euroopan unionin jäsenmaissa ja Euroopan vapaakauppa-alueella (EFTA).

Mikäli Black & Decker -tuote hajoaa materiaali- ja/tai valmistusvirheen tai teknisten tietojen epätarkkuuden vuoksi 24 kk:n kuluessa ostopäivästä, Black & Decker korjaa laitteen ilman kustannuksia ostajalle tai vaihtaa sen uuteen Black & Decker Oy:n valinnan mukaan. Takuu ei kata vikoja, jotka johtuvat laitteeseen.

- ◆ kaupallisesta tai ammattimaisesta käytöstä tai sen vuokraamisesta
- ◆ ylikuormituksesta, virheellisestä käytöstä tai hoidosta
- ◆ vahingoittamisesta vieraalla esineellä tai aineella tai onnettomuustapauksessa.
- ◆ Takuu ei ole voimassa, mikäli laitetta on korjannut joku muu kuin Black & Deckerin valtuuttama huoltoliike.

Edellytyksenä takuun saamiselle on, että ostaja näyttää laitteen ostokuitin jälleenmyyjälle tai valtuutetulle huoltoliikkeelle. Saat valtuutettujen huoltoliikkeiden yhteystiedot ottamalla yhteyden Black & Decker Oy:hyn tässä käyttöoppaassa ilmoitetussa osoitteessa. Löydät myös valtuutettujen Black & Decker -huoltoliikkeiden yhteystiedot sekä lisätietoja palveluistamme ja takuuehdoista Internet-osoitteesta: **www.2helpU.com**

Käy verkkosivuillamme osoitteessa

www.blackanddecker.fi ja rekisteröi uusi Black & Decker -tuotteesi. Sivuilta saat myös tietoa uusista tuotteista ja erikoistarjouksista. Lisätietoja Black & Decker -tuotemerkeistä ja tuotevalikoimastamme on osoitteessa **www.blackanddecker.fi**.

Ενδεδειγμένη χρήση

Το στάρτερ (εκκινητής) μπαταριών της Black & Decker έχει σχεδιαστεί ώστε να παρέχει πρόσθετη ισχύ σε μπαταρίες μολύβδου κατά την εκκίνηση κινητήρων αυτοκινήτων. Αυτό το προϊόν προορίζεται μόνο για οικιακή, ερασιτεχνική χρήση.

Οδηγίες ασφαλείας

Προειδοποίηση! Κατά τη χρήση συσκευών που τροφοδοτούνται με μπαταρίες, θα πρέπει να λαμβάνονται οι βασικές προφυλάξεις ασφαλείας, συμπεριλαμβανομένων των παρακάτω, για τον περιορισμό του κινδύνου πυρκαγιάς, διαρροής των μπαταριών, τραυματισμού προσώπων και υλικών ζημιών.

- Πριν χρησιμοποιήσετε τη συσκευή διαβάστε προσεκτικά ολόκληρο το εγχειρίδιο.
- Η ενδεδειγμένη χρήση περιγράφεται σε αυτό το εγχειρίδιο. Τόσο η χρήση εξαρτημάτων ή προσθηκών όσο και η πραγματοποίηση εργασιών με τη συσκευή που δεν συνιστώνται σε αυτό το εγχειρίδιο οδηγούν εγκυμονεί κίνδυνο τραυματισμού.
- Φυλάξτε αυτό το εγχειρίδιο για μελλοντική αναφορά.

Χρήση της συσκευής

- Προσέχετε πάντα όταν χρησιμοποιείτε τη συσκευή.
- Αυτή η συσκευή δεν προορίζεται για χρήση από νεαρά ή αδύναμα άτομα χωρίς επίβλεψη.
- Η συσκευή δεν πρέπει να χρησιμοποιείται σαν παιχνίδι.
- Να χρησιμοποιείται σε χώρους χωρίς υγρασία. Φροντίστε να μην βραχεί η συσκευή.
- Μη βουτάτε τη συσκευή μέσα σε νερό.
- Μην ανοίγετε το περίβλημα του σώματος της συσκευής. Τα εξαρτήματα στο εσωτερικό δεν επιδέχονται επισκευής από το χρήστη.
- Μη χρησιμοποιείτε τη συσκευή σε περιβάλλον όπου υπάρχει κίνδυνος έκρηξης, π.χ. παρουσία εύφλεκτων υγρών, αερίων ή σκόνης.
- Για να βγάλετε το φως από την πρίζα, μην τραβάτε από το καλώδιο αλλά από το ίδιο το φως. Έτσι θα αποφυγείτε τον κίνδυνο φθοράς του φως και του καλωδίου.

Μετά τη χρήση

- Όταν δεν χρησιμοποιείται, η συσκευή πρέπει να φυλάσσεται σε στεγνό μέρος, με καλό αερισμό και μακριά από παιδιά.
- Τα παιδιά δεν πρέπει να έχουν πρόσβαση σε αποθηκευμένες συσκευές.

- Όταν η συσκευή φυλάσσεται ή μεταφέρεται με ένα όχημα, πρέπει να τοποθετείται στο χώρο αποσκευών ή να στερεώνεται ώστε να μη μετακινείται σε περίπτωση απότομων μεταβολών της ταχύτητας ή της κατεύθυνσης του οχήματος.
- Η συσκευή θα πρέπει να προστατεύεται από το απευθείας ηλιακό φως, τη ζέση και την υγρασία.

Επιθεώρηση και επισκευές

- Πριν από τη χρήση, ελέγξτε τη συσκευή σας για τυχόν κατεστραμμένα ή ελαττωματικά τμήματα. Ελέγξτε αν υπάρχουν σπασμένα εξαρτήματα, ζημιά στους διακόπτες και οποιοσδήποτε άλλες συνθήκες που θα μπορούσαν να επηρεάσουν τη λειτουργία της.
- Μη χρησιμοποιείτε τη συσκευή, αν κάποιο εξάρτημά της παρουσιάζει ζημιά ή ελάττωμα.
- Φροντίστε να γίνει η επισκευή ή η αντικατάσταση των τυχόν ελαττωματικών εξαρτημάτων από εξουσιοδοτημένο κέντρο επισκευών.
- Ποτέ μην επιχειρείτε να αφαιρέσετε ή να αντικαταστήσετε εξαρτήματα, άλλα από αυτά που προσδιορίζονται σε αυτό το εγχειρίδιο.

Ειδικές οδηγίες ασφαλείας για στάρτερ μπαταριών

Τα ακόλουθα σύμβολα αναγράφονται στη συσκευή:



Διαβάστε προσεκτικά ολόκληρο το εγχειρίδιο οδηγιών.



LED επάρκειας εναλλάκτη



Ενδεικτική λυχνία ανάστροφης πολικότητας.

- Πολλά οχήματα έχουν ηλεκτρικά και ηλεκτρονικά συστήματα (π.χ. σύστημα διαχείρισης κινητήρα, κινητό τηλέφωνο), τα οποία μπορεί να πάθουν βλάβη εάν αποβληθούν σε υψηλές τάσεις εκκίνησης και αιχμές τάσης. Προτού συνδέσετε τη συσκευή στο όχημα, διαβάστε το εγχειρίδιο κατόχου του οχήματος για να επιβεβαιώσετε ότι επιτρέπονται οι εξωτερικές συσκευές εκκίνησης.
- Ακολουθήστε αυτές τις οδηγίες, όπως και τις οδηγίες του κατασκευαστή της μπαταρίας, του κατασκευαστή του οχήματος και του κατασκευαστή κάθε εξοπλισμού που σκοπεύετε να χρησιμοποιήσετε με αυτή τη συσκευή. Λάβετε υπόψη σας τις προειδοποιητικές ετικέτες αυτών των προϊόντων και του οχήματος.

- ◆ Αυτή η συσκευή δεν έχει σχεδιαστεί για χρήση ως υποκατάστατο των μπαταριών οχήματων. Μην επιχειρήσετε να οδηγήσετε ένα όχημα χωρίς εγκατεστημένη μπαταρία.
- ◆ Η συσκευή πρέπει να συνδέεται μόνο με μπαταρίες μολύβδου 12V. Μην χρησιμοποιείτε τη συσκευή για τη φόρτιση μπαταριών ξηρού τύπου, οι οποίες χρησιμοποιούνται ευρέως σε οικιακές συσκευές. Υπάρχει κίνδυνος αυτές οι μπαταρίες να εκραγούν και να προκαλέσουν τραυματισμούς σε ανθρώπους ή και υλικές ζημιές.
- ◆ Προτού συνδέσετε τη συσκευή, ελέγχετε την πολικότητα των πόλων της μπαταρίας του οχήματος. Πάντα αποσυνδέετε πρώτα το αρνητικό (μαύρο) καλώδιο γεφύρωσης: ακολουθούμενο από το θετικό (κόκκινο) καλώδιο γεφύρωσης.
- ◆ Όταν η συσκευή φορτίζεται ή δε χρησιμοποιείται, καθώς και πριν από τη σύνδεση αυτής με μια πηγή τροφοδοσίας ή ένα φορτίο, ο διακόπτης ON/OFF θα πρέπει να βρίσκεται στη θέση OFF.
- ◆ Ποτέ μην αφήνετε την κόκκινη και τη μαύρη δαγκάνα να έρθουν σε επαφή μεταξύ τους ή με άλλον κοινό μεταλλικό αγωγό. Κάτι τέτοιο μπορεί να προκαλέσει ζημιά στη συσκευή και/ή να δημιουργήσει κίνδυνο σπινθηρισμού/έκρηξης. Όταν οι δαγκάνες της μπαταρίας δε χρησιμοποιούνται, αποθηκεύετε τις πάντα στις ενσωματωμένες θήκες.
- ◆ Όταν χρησιμοποιείτε αυτή τη συσκευή κοντά στην μπαταρία και τον κινητήρα του οχήματος, τοποθετήστε τη σε μια επίπεδη, σταθερή επιφάνεια και μην πλησιάζετε τις δαγκάνες, τα καλώδια, το ρουχισμό και μέρη του σώματός σας σε κινούμενα μέρη του οχήματος.
- ◆ Αυτή η συσκευή περιέχει μια μπαταρία μολύβδου κλειστού τύπου. Συστήνεται η συσκευή να τοποθετείται επίπεδα κατά την αποθήκευση, τη χρήση και την επαναφόρτισή της.

Προειδοποίηση! Κατά τη φόρτιση των μπαταριών μολύβδου μπορεί να απελευθερωθούν εκρηκτικά αέρια, ενώ σε σπάνιες περιπτώσεις μπορεί να προκύψει διαρροή. Βεβαιωθείτε ότι ο χώρος αερίζεται καλά κατά τη διάρκεια των διαδικασιών εκκίνησης και φόρτισης με τη συσκευή.

- ◆ Μην φορτίζετε τη συσκευή χρησιμοποιώντας το συνδετήρα 12V όταν στο όχημα υπάρχουν άνθρωποι. Βεβαιωθείτε ότι ο χώρος αερίζεται καλά.
- ◆ Για να ελαττώσετε τον κίνδυνο ηλεκτροπληξίας, αποσυνδέετε τη συσκευή από κάθε πηγή τροφοδοσίας πριν από τη συντήρηση ή τον καθαρισμό. Η απενεργοποίηση της συσκευής από το διακόπτη χωρίς την αποσύνδεση αυτής, δεν ελαττώνει αυτόν τον κίνδυνο.

- ◆ Βεβαιωθείτε ότι η συσκευή έχει αποσυνδεθεί από όλες τις πηγές φόρτισης προτού ξεκινήσετε τη διαδικασία εκκίνησης με τη συσκευή.
- ◆ Ποτέ μην προσπαθήσετε να χρησιμοποιήσετε ταυτόχρονα το φορτιστή ac και τη σύνδεση φόρτισης dc.

Συμπληρωματικές οδηγίες ασφαλείας για τις μπαταρίες και τους φορτιστές

Μπαταρίες

- ◆ Μην επιχειρήσετε ποτέ να ανοίξετε τις μπαταρίες για οποιοδήποτε λόγο.
- ◆ Μην εκθέτετε την μπαταρία σε νερό.
- ◆ Μην φυλάσσετε τις μπαταρίες σε μέρη όπου η θερμοκρασία μπορεί να υπερβεί τους 40°C.
- ◆ Η φόρτιση πρέπει να γίνεται μόνο σε θερμοκρασίες περιβάλλοντος μεταξύ 4°C και 40°C.
- ◆ Η φόρτιση πρέπει να γίνεται μόνο με τους φορτιστές που παρέχονται μαζί με τη συσκευή.
- ◆ Όταν απορρίπτετε τις μπαταρίες, ακολουθήστε τις οδηγίες που δίνονται στην ενότητα "Προστασία του περιβάλλοντος".
- ◆ Κάτω από ακραίες συνθήκες, μπορεί να επέλθει διαρροή υγρών μπαταρίας. Αν παρατηρήσετε υγρό πάνω στις μπαταρίες, σκουπίστε το προσεκτικά με ένα πανί. Αποφύγετε την επαφή με το δέρμα.
- ◆ Στην περίπτωση επαφής με το δέρμα ή τα μάτια, ακολουθήστε τις παρακάτω οδηγίες.

Προειδοποίηση! Το υγρό της μπαταρίας είναι αραιωμένο θεϊκό οξύ και μπορεί να προκαλέσει τραυματισμό ή υλικές ζημιές. Στην περίπτωση επαφής με το δέρμα, ξεπλύντε αμέσως με άφθονο νερό. Αν παρουσιαστεί κοκκίνισμα του δέρματος, πόνος ή ερεθισμός, ζητήστε ιατρική βοήθεια. Στην περίπτωση επαφής με τα μάτια, ξεπλύντε αμέσως με άφθονο καθαρό νερό και ζητήστε άμεση ιατρική βοήθεια.

Φορτιστές

Ο φορτιστής σας είναι σχεδιασμένος για μια συγκεκριμένη ηλεκτρική τάση. Ελέγχετε πάντα αν η τάση τροφοδοσίας αντιστοιχεί σε αυτήν που αναγράφεται στην πινακίδα χαρακτηριστικών.

Προειδοποίηση! Ποτέ μην επιχειρείτε να αντικαταστήσετε τη μονάδα φορτιστή με έναν κανονικό ρευματολήπτη.

Ο φορτιστής Black & Decker πρέπει να χρησιμοποιείται αποκλειστικά και μόνο για τη φόρτιση της μπαταρίας του εργαλείου το οποίο συνδέουε. Αν χρησιμοποιηθεί για άλλες μπαταρίες, αυτές μπορεί να εκραγούν, προκαλώντας τραυματισμό και ζημιές.

- ◆ Μην επιχειρήσετε ποτέ να φορτίσετε μη επαναφορτιζόμενες μπαταρίες.
- ◆ Αν κάποιο καλώδιο φθαρεί, αντικαταστήστε το αμέσως.

- ◆ Μην εκθέτετε τον φορτιστή σε νερό.
- ◆ Μην ανοίγετε τον φορτιστή.
- ◆ Μην επεμβαίνετε στο φορτιστή.

Κατά τη φόρτιση, η μπαταρία πρέπει να βρίσκεται σε καλά αεριζόμενο χώρο.



Μονωτικός μετασχηματιστής εξασφαλισμένης λειτουργίας. Η τροφοδοσία δικτύου είναι ηλεκτρικά διαχωρισμένη από την έξοδο του μετασχηματιστή.



Ο φορτιστής απενεργοποιείται αυτόματα όταν η θερμοκρασία περιβάλλοντος ανέβει υπερβολικά. Με συνέπεια, ο φορτιστής να αχρηστεύεται. Η βάση φόρτισης θα πρέπει να αποσυνδεθεί από την πρίζα και να μεταφερθεί σε ένα εξουσιοδοτημένο κέντρο.



Διαβάστε προσεκτικά ολόκληρο το εγχειρίδιο οδηγιών.



Αυτή η συσκευή προορίζεται μόνο για χρήση σε εσωτερικούς χώρους.

Ασφαλής χρήση του ηλεκτρικού ρεύματος



Αυτή η συσκευή φέρει διπλή μόνωση, επομένως δεν απαιτείται σύρμα γείωσης. Ελέγχετε πάντοτε αν η τάση τροφοδοσίας αντιστοιχεί σε αυτήν που αναγράφεται στην πινακίδα στοιχείων του εργαλείου.

- ◆ Αν το καλώδιο ρεύματος έχει υποστεί φθορά, η αντικατάστασή του πρέπει να γίνει από τον κατασκευαστή ή από ένα εξουσιοδοτημένο κέντρο της Black & Decker, ώστε να μην αποτελέσει κίνδυνο.

Χαρακτηριστικά

Η συσκευή αυτή διαθέτει μερικά ή όλα από τα παρακάτω χαρακτηριστικά:

1. LED φωτισμού χώρου
2. Χάλκινες δαγκάνες βαρέως τύπου
3. Διακόπτης on/off LED φωτισμού χώρου
4. Ενδεικτική λυχνία ανάστροφης πολικότητας
5. Καλώδια γεφύρωσης
6. Οικιακός φορτιστής
7. Διακόπτης ON/OFF
8. Λαβή μεταφοράς
9. Μπουτόν κατάστασης μπαταρίας
10. Ενδεικτικές λυχνίες LED κατάστασης μπαταρίας
11. Υποδοχή φόρτισης 12 Vdc
12. Υποδοχές για δαγκάνες

ΧΡΗΣΗ

Φόρτιση της συσκευής (εικ. A)

Όταν παραλαμβάνετε τη συσκευή, αυτή είναι μερικώς φορτισμένη.

- ◆ Πριν από την πρώτη χρήση, φορτίστε τη συσκευή για 48 ώρες χρησιμοποιώντας τον οικιακό φορτιστή (6).

Οι μπαταρίες μολύβδου απαιτούν τακτική συντήρηση για να εξασφαλίζεται η πλήρης φόρτιση και η μεγάλη διάρκεια ζωής της μπαταρίας. Όλες οι μπαταρίες με το χρόνο χάνουν ενέργεια λόγω αυτο-εκφόρτισης τους, ενώ αυτό το φαινόμενο επιταχύνεται στις υψηλότερες θερμοκρασίες. Όταν η συσκευή δε χρησιμοποιείται, η Black & Decker συστήνει τη φόρτιση της μπαταρίας τουλάχιστον κάθε 60 ημέρες.

- ◆ Ελέγχετε τη στάθμη φόρτισης της μπαταρίας πιέζοντας το μπουτόν κατάστασης της μπαταρίας (9). Η ένδειξη LED κατάστασης φόρτισης (10) υποδηλώνει τη στάθμη φόρτισης της μπαταρίας. Όταν ανάβει μόνο ένα κόκκινο LED, φορτίστε τη συσκευή.

Σημείωση: Η φόρτιση της μπαταρίας μετά από κάθε χρήση επιμηκύνει τη διάρκεια ζωής της μπαταρίας, ενώ οι συχνές και έντονες εκφορτίσεις μεταξύ φορτίσεων και/ή η υπερφόρτιση μειώνουν τη διάρκεια ζωής της.

Η μπαταρία μπορεί να φορτίζεται χρησιμοποιώντας τον οικιακό φορτιστή (6).

Φόρτιση της συσκευής με τον οικιακό φορτιστή (εικ. A)

Βεβαιωθείτε ότι ο διακόπτης ON/OFF (7) είναι απενεργοποιημένος και το LED φωτισμού χώρου (1) είναι σβηστό κατά τη φόρτιση της συσκευής.

Με την πρόοδο της φόρτισης, οι κόκκινες ενδεικτικές λυχνίες LED ανάβουν η μια μετά την άλλη.

- ◆ Φορτίστε τη συσκευή μέχρι να ανάψει η πράσινη ενδεικτική λυχνία LED με την ένδειξη FULL.
- ◆ Συνεχίστε τη φόρτιση για μια έως δύο ακόμη ώρες.

Σημείωση: Ο οικιακός φορτιστής δεν πρέπει να παραμένει συνδεδεμένος για περισσότερες από 60 ώρες.

- ◆ Όταν ολοκληρωθεί η φόρτιση, αποσυνδέστε τον οικιακό φορτιστή (6) και τοποθετήστε τον σε ασφαλές σημείο.

Χρήση της συσκευής ως στάρτερ μπαταρίας (εικ. A & B)

Προειδοποίηση! Βεβαιωθείτε ότι οι ταχύτητες του οχήματος είναι στο "νεκρό" και το χειρόφρενο δεμένο.

Σημείωση: Αν οι συνδέσεις δεν γίνουν με το σωστό τρόπο, η μονάδα θα εκπέμπει ένα συνεχή ήχο μπιπ και η κόκκινη ενδεικτική λυχνία αντιστροφής πολικότητας (4) θα ανάψει, ακόμη και αν ο διακόπτης ON/OFF (7) είναι στη θέση OFF. Διορθώστε αμέσως τις συνδέσεις.

Προειδοποίηση! Βεβαιωθείτε ότι τα καλώδια δεν εμπλέκονται με κινούμενους ιμάντες ή το βεντιλατέρ.

1. Γυρίστε το κλειδί του κινητήρα του οχήματος στην κλειστή θέση και απενεργοποιήστε όλα τα εξαρτήματα προτού κάνετε οποιαδήποτε σύνδεση.
2. Βεβαιωθείτε ότι ο διακόπτης ON/OFF (7) της μονάδας είναι στη θέση OFF.
3. Η ακόλουθη διαδικασία αφορά συστήματα αρνητικής γείωσης, δηλ. όταν ο αρνητικός πόλος της μπαταρίας συνδέεται με το σασί.
4. Συνδέστε τη θετική (+) κόκκινη δαγκάνα στο θετικό πόλο της μπαταρίας του οχήματος.
5. Συνδέστε την αρνητική (-) μαύρη δαγκάνα στο σασί του οχήματος ή σε ένα σταθερό, μη κινούμενο, μεταλλικό εξάρτημα του οχήματος ή τμήμα του σασί. Ποτέ μη συνδέετε τη δαγκάνα στον αρνητικό πόλο της μπαταρίας ή σε κάποιο κινούμενο μέρος. Ανατρέξτε στο εγχειρίδιο κατόχου του αυτοκινήτου.
6. Γυρίστε το διακόπτη ON/OFF (7) της συσκευής στη θέση ON.
7. Ξεκινήστε το όχημα ενεργοποιώντας τη μίζα για 3 έως 6 δευτερόλεπτα κάθε φορά.
- ◆ Εάν ο κινητήρας δεν ξεκινήσει εντός 6 δευτερολέπτων, αφήστε την εσωτερική μπαταρία της μονάδας να κρυώσει για 3 λεπτά προτού κάνετε και άλλη προσπάθεια.
8. Όταν ξεκινήσει το όχημα, γυρίστε το διακόπτη ON/OFF (7) της συσκευής στη θέση OFF.
9. Αφήστε αναμμένο τον κινητήρα του οχήματος.
10. Πρώτα αποσυνδέστε τη μαύρη (-) δαγκάνα που είναι συνδεδεμένη στον κινητήρα ή το σασί και μετά την κόκκινη (+) δαγκάνα που είναι συνδεδεμένη στο θετικό (+) πόλο της μπαταρίας.
11. Πιέστε προσεκτικά το αρνητικό (μαύρο) καλώδιο γεφύρωσης στο κανάλι αποθήκευσης, ξεκινώντας από το άκρο αντίθετα από τη δαγκάνα.
12. Στερεώστε την αρνητική (μαύρη) δαγκάνα στην υποδοχή για δαγκάνες (12).
13. Πιέστε προσεκτικά το θετικό (κόκκινο) καλώδιο γεφύρωσης στο κανάλι αποθήκευσης, ξεκινώντας από το άκρο αντίθετα από τη δαγκάνα.
14. Στερεώστε τη θετική (κόκκινη) δαγκάνα στην υποδοχή για δαγκάνες (12).
15. Φορτίστε τη συσκευή το συντομότερο δυνατό.

Χρήση του LED φωτισμού χώρου (εικ. Α)

Το LED φωτισμού χώρου (1) λειτουργεί μέχρι 50 ώρες με πλήρη φόρτιση. Η διάρκεια ζωής του LED φωτισμού χώρου είναι 100.000 ώρες.

- ◆ Πιέστε το κουμπί on/off του LED φωτισμού χώρου (3), ο οποίος βρίσκεται στον επάνω πίνακα της μονάδας, για να ανάψετε το LED φωτισμού χώρου (1).
- ◆ Πιέστε ξανά το κουμπί on/off του LED φωτισμού χώρου (3), για να σβήσετε το LED φωτισμού χώρου (1).

Βεβαιωθείτε ότι το LED φωτισμού χώρου δεν ανάβει κατά τη φόρτιση ή την αποθήκευση της συσκευής.

Συντήρηση

Αυτό το εργαλείο/ η συσκευή της Black & Decker έχει σχεδιαστεί έτσι ώστε να λειτουργεί για μεγάλο χρονικό διάστημα με την ελάχιστη δυνατή συντήρηση.

Η αδιάλειπτη και ικανοποιητική λειτουργία του εργαλείου εξαρτάται από τη φροντίδα και τον τακτικό καθαρισμό.

Προειδοποίηση! Πριν πραγματοποιήσετε οποιοδήποτε συντήρηση ή καθαρισμό πάνω στη συσκευή/ το εργαλείο, βγάλτε τη συσκευή από την πρίζα.

- ◆ Από καιρό σε καιρό σκουπίζετε τη συσκευή με ένα υγρό πανί. Μη χρησιμοποιείτε λειαντικά ή υγρά καθαρισμού που περιέχουν διαλυτικά. Μην βουτάτε τη συσκευή μέσα σε νερό.
- ◆ Μετά από κάθε χρήση, καθαρίζετε τις δαγκάνες μπαταρίας (2) και απομακρύνετε οπωσδήποτε τυχόν υγρά μπαταρίας που προκαλούν διάβρωση των δαγκάνων (2).
- ◆ Καθαρίζετε το εξωτερικό περίβλημα του φορτιστή μπαταριών με ένα μαλακό πανί και, εάν χρειάζεται, με ένα διάλυμα ήπιου σαπουνιού.
- ◆ Μην αφήνετε να εισέλθει υγρό στο φορτιστή μπαταριών. Μη χρησιμοποιείτε το φορτιστή όταν αυτός είναι υγρός.
- ◆ Κατά τη διάρκεια της αποθήκευσης, τυλίγετε χαλαρά τα καλώδια του φορτιστή μπαταριών, ώστε να αποτραπεί η πρόσκλιση ζημιάς σε αυτά.

Προστασία του περιβάλλοντος



Επιλεκτική περισυλλογή. Αυτό το προϊόν δεν πρέπει να απορρίπτεται μαζί με τα κοινά οικιακά απορρίμματα.

Εάν κάποια μέρα διαπιστώσετε ότι το προϊόν σας Black & Decker χρειάζεται αντικατάσταση, ή ότι δεν το χρειάζεστε άλλο, μην το απορρίψετε μαζί με τα κοινά οικιακά απορρίμματα αλλά κάντε αυτό το προϊόν διαθέσιμο για ανεξάρτητη αποκομιδή.



Η ανεξάρτητη συλλογή των μεταχειρισμένων προϊόντων και των υλικών συσκευασίας δίνει τη δυνατότητα ανακύκλωσης και επαναχρησιμοποίησης των υλικών. Με την επαναχρησιμοποίηση των ανακυκλωμένων υλικών αποτρέπεται η μόλυνση του περιβάλλοντος και μειώνεται η ζήτηση πρώτων υλών.

Οι κανονισμοί που ισχύουν στην περιοχή σας ενδέχεται να προβλέπουν την επιλεκτική περισυλλογή των ηλεκτρικών συσκευών που προέρχονται από νοικοκυριά σε κρατικές εγκαταστάσεις ή από τον έμπορο όταν αγοράσετε ένα καινούργιο προϊόν.

Η Black & Decker δίνει τη δυνατότητα ανακύκλωσης των προϊόντων της που έχουν συμπληρώσει τη διάρκεια ζωής τους. Για να χρησιμοποιήσετε αυτήν την υπηρεσία, επιστρέψτε το προϊόν σας σε οποιοδήποτε εξουσιοδοτημένο κέντρο επισκευών, όπου θα το παραλάβουν εκ μέρους μας.

Ενημερωθείτε για το πλησιέστερο εξουσιοδοτημένο κέντρο επισκευών της περιοχής σας, επικοινωνώντας με τα γραφεία της Black & Decker στη διεύθυνση που αναγράφεται στο εγχειρίδιο. Επίσης, για να πληροφορηθείτε για τα εξουσιοδοτημένα κέντρα επισκευών της Black & Decker και τους αρμόδιους των υπηρεσιών που παρέχονται μετά την πώληση, μπορείτε να ανατρέξετε στο Διαδίκτυο, στη διεύθυνση: www.2helpU.com.



Οι μπαταρίες μολύβδου μπορούν να επαναφορτιστούν πολλές φορές. Στο τέλος της ωφέλιμης ζωής τους, απορρίψτε τις μπαταρίες με την πρέπουσα φροντίδα για το περιβάλλον μας:

- ◆ Μην πετάτε τις μπαταρίες στη φωτιά, διότι μπορεί να προκληθεί έκρηξη.
- ◆ Οι μπαταρίες μολύβδου (Pb) είναι ανακυκλώσιμες. Δεν πρέπει να απορρίπτονται μαζί με τα οικιακά απορρίμματα. Οι μπαταρίες πρέπει να αφαιρούνται και απορρίπτονται σύμφωνα με τους τοπικούς κανονισμούς.
- ◆ Μη βραχυκυκλώνετε τους πόλους της μπαταρίας.
- ◆ Έχετε υπόψη ότι οι μπαταρίες έχουν μεγάλο βάρος.
- ◆ Εάν είναι δυνατό, χρησιμοποιείτε μια συσκευή ώστε η μπαταρία να εξαντλείται εντελώς.

Τοποθετήστε την μπαταρία σε κατάλληλη συσκευασία, ώστε να είναι αδύνατο το βραχυκύκλωμα των πόλων.

Παραδώστε την μπαταρία στον αντιπρόσωπο επισκευών σας ή σε ένα σταθμό ανακύκλωσης της περιοχής σας. Οι μπαταρίες που συλλέγονται, ανακυκλώνονται ή απορρίπτονται κατάλληλα.

Τεχνικά χαρακτηριστικά

	BDJS350	BDJS450
Μπαταρία	Τύπ Μολύβδου ος κλειστού τύπου 12 V 9 Ah	Μολύβδου κλειστού τύπου 12 V 17 Ah
Έξοδος (στιγμιαία)	A 350	450
Έξοδος (σταθερή για 5 δευτερόλεπτα)	A 200	300
Βάρος	kg 4,00	6,4
Φορτιστής μπαταριών		
Είσοδος	Vac 230	230
Χρόνος φόρτισης κατά προσέγγιση	h 48	48
Βάρος	kg 0,32	0,48

Δήλωση συμμόρφωσης με την Ευρωπαϊκή Κοινότητα

BDJS350/BDJS450

Η Black & Decker δηλώνει ότι τα προϊόντα αυτά συμμορφώνονται με:
Πρότυπα & Νομοθεσία.
EN60335, 2006/95/EK

Ο κάτωθι υπογεγραμμένος είναι υπεύθυνος για την κατάρτιση του τεχνικού φακέλου και δηλώνει τα παρόντα εκ μέρους της Black & Decker.

Kevin Hewitt
Διευθυντής Εξυπηρέτησης Πελατών
Spennymoor, County Durham, DL16 6JG,
Ηνωμένο Βασίλειο
25-06-2008

Εγγύηση

Η Black & Decker είναι σίγουρη για την ποιότητα των προϊόντων της και παρέχει σημαντική εγγύηση. Η παρουσία γραπτή εγγύηση αποτελεί πρόσθετο δικαίωμά σας και δεν ζημιώνει τα νόμιμα δικαιώματά σας. Η εγγύηση ισχύει εντός της επικράτειας των Κρατών Μελών της Ευρωπαϊκής Ένωσης και της Ευρωπαϊκής Ζώνης Ελευθέρων Συναλλαγών.

Σε περίπτωση που κάποιο προϊόν της Black & Decker παρουσιάσει βλάβη εξαιτίας ελαττωματικών υλικών, ποιότητας εργασίας ή έλλειψης συμφωνίας με τις προδιαγραφές εντός 24 μηνών από την ημερομηνία αγοράς, η Black & Decker εγγυάται την αντικατάστασή των

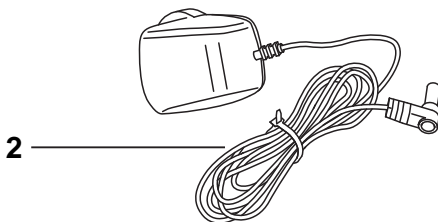
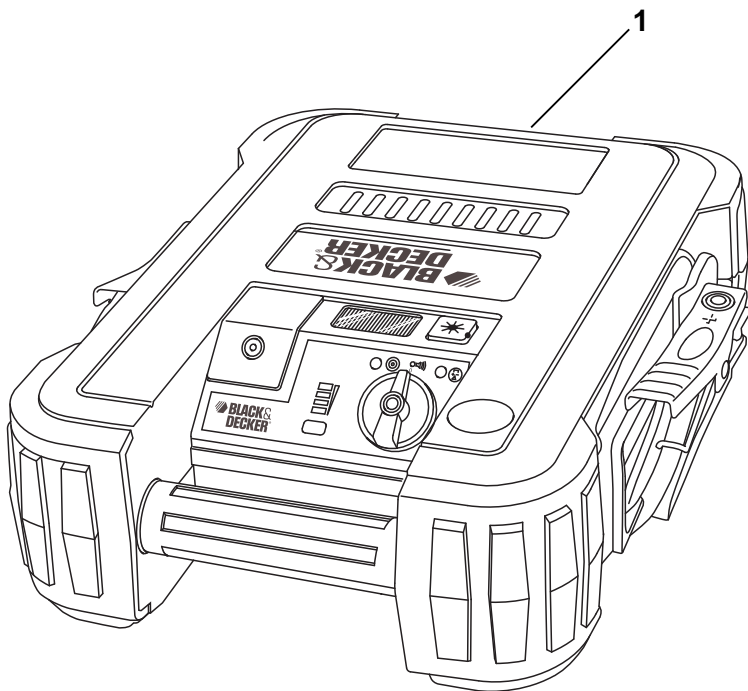
ελαττωματικών τμημάτων, την επισκευή προϊόντων που έχουν υποστεί εύλογη φθορά λόγω χρήσης ή την αντικατάσταση των προϊόντων προκειμένου να εξασφαλίσει την ελάχιστη ενόχληση στους πελάτες της, εκτός εάν:

- ◆ Το προϊόν έχει χρησιμοποιηθεί σε εργασιακό, επαγγελματικό περιβάλλον ή αν έχει ενοικιαστεί.
- ◆ Έχει γίνει εσφαλμένη χρήση του προϊόντος ή έχει παραμεληθεί.
- ◆ Το προϊόν έχει υποστεί βλάβη από άλλα αντικείμενα, από ουσίες ή λόγω ατυχήματος.
- ◆ Έχει γίνει προσπάθεια επισκευής από μη εξουσιοδοτημένα κέντρα επισκευών ή από προσωπικό που δεν ανήκει στο προσωπικό της Black & Decker.

Για να ισχύσει η εγγύηση, πρέπει να υποβάλετε απόδειξη αγοράς στον πωλητή ή το εξουσιοδοτημένο κέντρο επισκευών. Ενημερωθείτε για το πλησιέστερο εξουσιοδοτημένο κέντρο επισκευών της περιοχής σας, επικοινωνώντας με τα γραφεία της Black & Decker στη διεύθυνση που αναγράφεται στο εγχειρίδιο. Επίσης, για να πληροφορηθείτε για τα εξουσιοδοτημένα κέντρα επισκευών της Black & Decker και τους αρμόδιους των υπηρεσιών που παρέχονται μετά την πώληση, μπορείτε να ανατρέξετε στο Διαδίκτυο, στη διεύθυνση: **www.2helpU.com**

Παρακαλούμε επισκεφθείτε την ιστοσελίδα μας **www.blackanddecker.eu** για να καταχωρήσετε το νέο σας προϊόν Black & Decker και για να ενημερώνεστε για τα νέα προϊόντα και τις ειδικές προσφορές. Περισσότερες πληροφορίες σχετικά με τη μάρκα Black & Decker και τη σειρά των προϊόντων μας θα βρείτε στη διεύθυνση **www.blackanddecker.eu**.

Partial support - Only parts shown available
Nur die aufgefuehrten teile sind lieferbar
Reparation partielle - Seules les pieces indiquees sont disponibles
Supporto parziale - Sono disponibili soltanto le parti evidenziate
Solo estan disponibles las peizas listadas
So se encontram disponiveis as pecas listadas
Gedeeltelijke ondersteuning - alleen de getoonde onderdelen
zijn beschikbaar



België/Belgique	Black & Decker (Belgium) N.V. Nieuwlandlaan 7, I.Z. Aarschot B156 3200 Aarschot	Tel. 016 68 91 00 Fax 016 68 91 11
Danmark	Black & Decker Sluseholmen 2-4, 2450 København SV Internet: www.blackanddecker.dk	Tel. 70 20 15 10 Fax 70 22 49 10
Deutschland	Black & Decker GmbH Black & Decker Str. 40, D - 65510 Idstein	Tel. 06126/21 - 0 Fax 06126/21 29 80
Ελλάδα	Black & Decker (Ελλάς) A.E. Στράβωνος 7 & Λεωφ. Βουλιαγμένης 159 166 74 Γλυφάδα - Αθήνα	Τηλ. 210 8981616 Φαξ 210 8983285 www.blackanddecker.eu
España	Black & Decker Ibérica, S.C.A. Parc de Negocis "Mas Blau" Edificio Muntadas, c/Bergadá, 1, Of. A6 08820 El Prat de Llobregat (Barcelona)	Tel. 934 797 400 Fax 934 797 419
France	Black & Decker (France) S.A.S. 5 allée des Hêtres, B.P. 30084 69579 Limonest Cédex	Tel. 04 72 20 39 20 Fax 04 72 20 39 00
Helvetia	ROFO AG Gewerbezone Seeblick 3213 Kleinbödingen	Tel. 026-6749391 Fax 026-6749394
Italia	Black & Decker Italia SpA Viale Elvezia 2 20052 Monza (MI)	Tel. 039-23871 Fax 039-2387592/2387594 Numero verde 800-213935
Nederland	Black & Decker Benelux Joulehof 12, 4622 RG Bergen op Zoom	Tel. 0164 - 283000 Fax 0164 - 283100
Norge	Black & Decker (Norge) A/S Postboks 4814, Nydalen, 0422 Oslo Internet: www.blackanddecker.no	Tlf. 22 90 99 00 Fax 22 90 99 01
Österreich	Black & Decker Vertriebsges.m.b.H Oberlaaerstraße 246, A1100 Wien	Tel. 01 66116-0 Fax 01 66116-14
Portugal	Black & Decker Rua Egas Moniz 173 S. João do Estoril 2766-651 Estoril	Tel. 214667500 Fax 214667580
Suomi	Black & Decker Oy Keilasatama 3, 02150 Espoo Black & Decker Oy, Kägelhamnen 3, 02150 Esbo	Puh. 010 400 430 Faksi (09) 2510 7100 Tel. 010 400 430 Fax (09) 2510 7100
Sverige	Black & Decker AB Box 94, 431 22 Mölndal	Tel. 031 68 60 60 Fax 031 68 60 80
United Kingdom	Black & Decker 210 Bath Road Slough, Berkshire SL1 3YD	Tel. 01753 511234 Fax 01753 551155 Helpline 01753 574277
Middle East & Africa	Black & Decker (Overseas) A.G. PB 5420, Dubai, United Arab Emirates	Tel. +971 4 2826464 Fax +971 4 2826466

Dealer address
Händleradresse
Cachet du revendeur
Indirizzo del rivenditore
Adres van de dealer
Dirección del detallista
Morada do revendedor
Återförsäljarens adress
Forhandlerens adresse
Forhandler adresse
Jälleenmyyjän osoite
Διεύθυνση αντιπροσώπου

◆ Name ◆ Name ◆ Nom ◆ Nome
◆ Naam ◆ Nombre ◆ Nome ◆ Namn
◆ Navn ◆ Nimi ◆ Διεύθυνση:

◆ Address ◆ Adresse ◆ Indirizzo ◆
Adres ◆ Dirección ◆ Morada ◆ Address ◆
Adresse ◆ Adresse ◆ Osoite ◆ Διεύθυνση:

◆ Town ◆ Ort ◆ Ville ◆ Città ◆ Plaats
◆ Ciudad ◆ Localidade ◆ Ort ◆ By
◆ Paikkakunta ◆ Πόλη:

◆ Postal code ◆ Postleitzahl ◆ Code postal
◆ Codice postale ◆ Postcode
◆ Código ◆ Código postal ◆ Postnr.
◆ Postnr. ◆ Postnr. ◆ Postnummero
◆ Κωδικός

◆ Is this tool a gift? ◆ Ist dieses Gerät ein
Geschenk? ◆ S'agit-il d'un cadeau? ◆ Si tratta
di un regalo? ◆ Kreeg u de machine als cadeau?
◆ ¿Ha recibido usted esta herramienta como
regalo? ◆ Recebeu esta ferramenta como
presente? ◆ Är verktyget en gåva?
◆ Er verktyget en gave? ◆ Er verkøjet en
gave? ◆ Onko kone lahja? ◆
◆ To εργαλείο είναι δώρο

Yes ◆ Ja ◆ Oui ◆ Si ◆ Ja ◆ Si
◆ Sim ◆ Ja ◆ Ja ◆ Kyllä ◆ Nai

No ◆ Nein ◆ Non ◆ No ◆ Nee
◆ No ◆ Não ◆ Nej ◆ Nei ◆ Nej
◆ Ei ◆ Oyi

◆ Is this tool your first purchase? ◆ Ist dieses
Gerät ein Erstkauf? ◆ Est-ce un 1er achat?
◆ Questo prodotto è il suo primo acquisto?
◆ Is deze machine uw eerste aankoop?
◆ ¿Es esta herramienta la primera de este tipo?
◆ Esta herramienta é a primeira compra?
◆ Är detta ditt första B&D-verktyg? ◆ Er dette
ditt første B&D verktoy? ◆ Er dette ditt første
B&D verkøi? ◆ Onko tämä ensimmäinen B&D-
koneesi? ◆ Είναι το εργαλείο αυτό η πρώτη
σας αγορά? ◆

Date of purchase
Kaufdatum
Date d'achat
Data d'acquisto
Aankoopdatum
Fecha de compra
Data de compra
Inkõpsdatum
Imkõpsdato
Indkøbsdato
Ostopätivä
Ημερομηνία αγοράς

Yes ◆ Ja ◆ Oui ◆ Si ◆ Ja ◆ Si
◆ Sim ◆ Ja ◆ Ja ◆ Kyllä ◆ Nai

No ◆ Nein ◆ Non ◆ No ◆ Nee
◆ No ◆ Não ◆ Nej ◆ Nei ◆ Nej
◆ Ei ◆ Oyi

◆ Dealer address ◆ Händleradresse
◆ Cachet du revendeur ◆ Indirizzo del
rivenditore ◆ Adres van de dealer
◆ Dirección del detallista ◆ Morada do
revendedor ◆ Återförsäljarens adress
◆ Forhandlerens adresse ◆ Forhandler adresse
◆ Jälleenmyyjän osoite
◆ Διεύθυνση αντιπροσώπου

Cat. no.:



◆ Data protection act: Tick the box if you prefer
not to receive further information.

◆ Bitte ankreuzen, falls Sie keine weiteren
Informationen erhalten möchten. ◆ Si vous ne
souhaitez pas recevoir d'informations, cochez
cette case. ◆ Barrate la casella se non
desiderate ricevere informazioni.
◆ A.u.b. dit vakje aankruisen indien u geen
informatie wenst te ontvangen.

◆ Señale en la casilla sino quiere recibir
información. ◆ Por favor, assinale com uma
cruz se não desejar receber informação.
◆ Vänligen kryssa för i rutan om Ni inte vill ha
information.

◆ Vennligst kryss av dersom du ikke ønsker
informasjon. ◆ Venligst sæt kryds i ruden
såfremt De ikke måtte ønske at modtage
information.

◆ Merkitkää rasti ruutuun, mikäli ette halua
vastaaottaa informaatiota.
◆ Παράκαλεστε να σημειώσετε εάν δεν θέλετε
να प्राप्तείτε πληροφορίες.

- ◆ **GARANTIEE CARD**
- ◆ **GARANTIEKAART**
- ◆ **GARANTI KORT**
- ◆ **GARANTIEKARTE**
- ◆ **TARJETA DE GARANTIA**
- ◆ **GARANTI KORT**
- ◆ **CARTE DE GARANTIE**
- ◆ **CARTÃO DE GARANTIA**
- ◆ **TAKUKORTTI**
- ◆ **TAGLIANDO DI GARANZIA**
- ◆ **GARANTIBEVIS**
- ◆ **KAPTA EFTYHSHZ**



English	Please complete this section immediately after the purchase of your tool and send it to Black & Decker in your country.	Português	Por favor, recorte esta parte, coloque-a num envelope selado e endereçado e envie-o logo após a compra do seu produto para o endereço da Black & Decker do seu país.
Deutsch	Bitte schneiden Sie diesen Abschnitt ab, stecken ihn in einen frankierten Umschlag und schicken ihn an die Black & Decker Adresse Ihres Landes.	Svenska	Var vänlig klipp ur denna del och sänd den i ett frankerat kuvert till Black & Deckers adress i Ditt land.
Français	Decoupez cette partie et envoyez-la sous enveloppe timbrée à l'adresse de Black & Decker dans votre pays, ceci immédiatement après votre achat.	Norsk	Venligst klipp ut denne delen umiddelbart etter du har pakket ut ditt produkt og legg det i en adressert konvolutt til Black & Decker (Norge) AS.
Italiano	Per favore ritagliate questa parte, inseritela in una busta con francobollo e spediteola subito dopo l'acquisto del prodotto all'indirizzo della Black & Decker nella vostra nazione.	Dansk	Venligst klip denne del ud og send frankeret til Black & Decker i dit land.
Nederlands	Knip dit gedeelte uit en zend het direct na aankoop in een gefrankeerde, geadresseerde envelop naar het adres van Black & Decker in uw land.	Suomi	Leikkää irit tämä osa, laita se kuoreen ja postita kuori paikalliseseen Black & Decker osoitteeseen.
Español	Después de haber comprado su herramienta envíe usted, por favor, esta tarjeta a la central de Black & Decker en su país.	Ελληνικά	Παράκατω κόψτε αυτό το κομμάτι και τοχυδούποιστε το αμέσως μετά την αγορά του προϊόντος σας στην διεύθυνση της Black & Decker στην Ελλάδα.