

AREBOS

Solar Shower

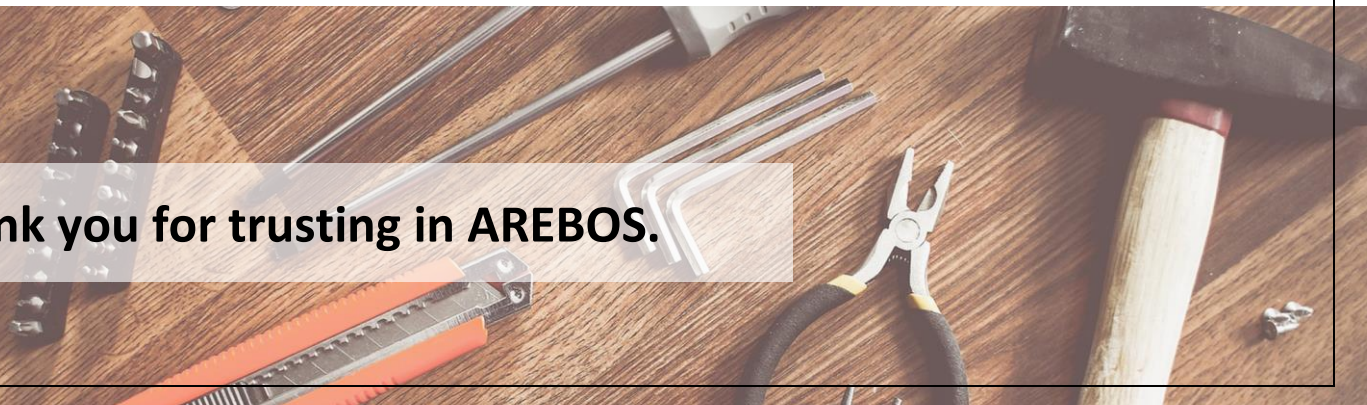
AR-HE-SDTSS60 / SDTSN60



Please follow all security measures in this user's manual to ensure a secure use.



Thank you for trusting in AREBOS.



List of contents

1. Safety instructions	3
1.1 Explanation of the symbols	3
1.2 General instructions	3
2. Parts list.....	4
3. Assemble instructions	5
4. Use	6
4.1 Initial set up of the shower.....	6
4.2 Notes on use.....	6
4.3 After use	6
4.4 Winterization.....	6
5. Technical specifications	7
6. Environmentally friendly disposal.....	7
6.1 Disposal and packaging	7
6.2 Disposal of waste equipment	7
EU Declaration of Conformity	8

Thank you for purchasing our product. Please read the instruction manual carefully before using the product for the first time. If you leave the product to third parties, this operating manual must also be handed over. Keep the instruction manual for later reference. The drawings in this guide may not match the physical objects. Please refer to the physical objects.

1. Safety instructions

1.1 Explanation of the symbols



By means of a CE marking, it can be recognized that a product complies with the legal requirements of European legal standards and therefore may be traded within the European Community.



Caution! Read the safety instructions carefully. Failure to follow the safety precautions could result in serious injury or damage. Keep the manual well!



Caution! Hot surface!

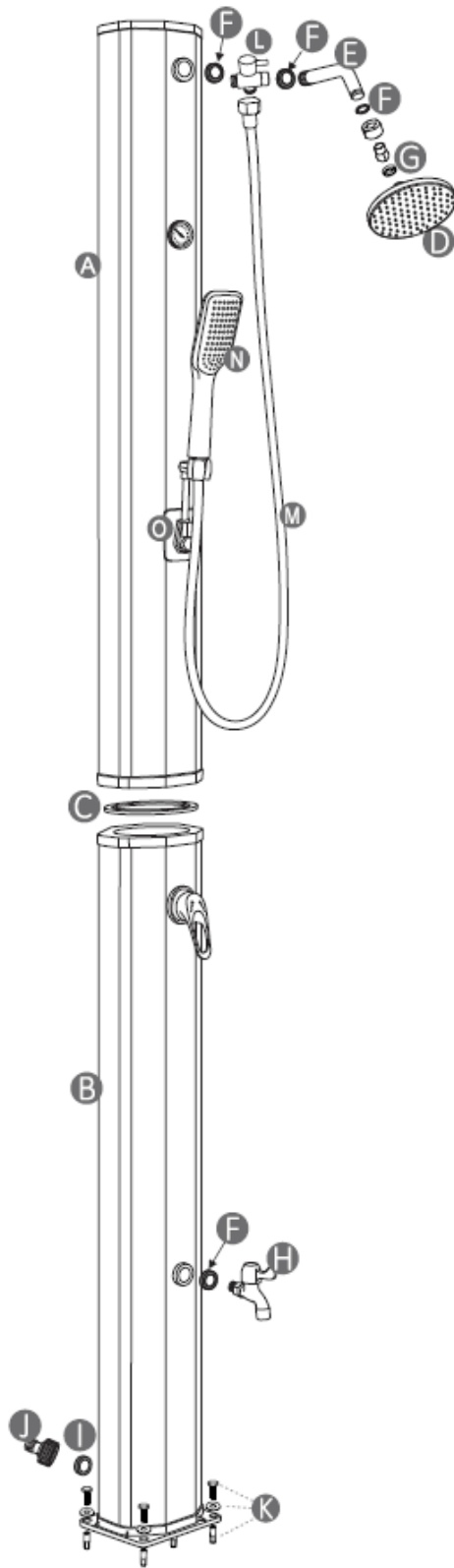









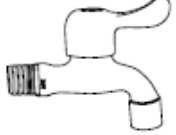
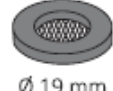


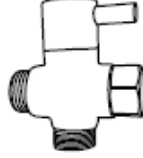


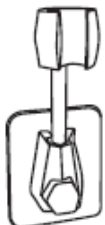
Caution! Hot water!

1.2 General instructions

- Chose a position for the shower where solar irradiation is as high as possible.
- Attach the shower to a concrete slab or a wooden foundation using the four threaded sleeves, four screws and four washers.
- Do not use road salt or other antifreeze, which might damage the shower. If you do use antifreeze, your warranty will be void.
- Recommended water pressure: 3.5 bar
- In order to avoid scald, always set the shower handle on cold water (blue) before taking a shower.
- Children should always be supervised by adults so that they do not scald themselves.
- Water temperature can reach up to 60°C at high solar irradiation. In order to avoid scald, make sure that shower handle is always set on cold water (blue) before taking a shower. That is why children should always be supervised by adults when using the shower so that they do not scald themselves

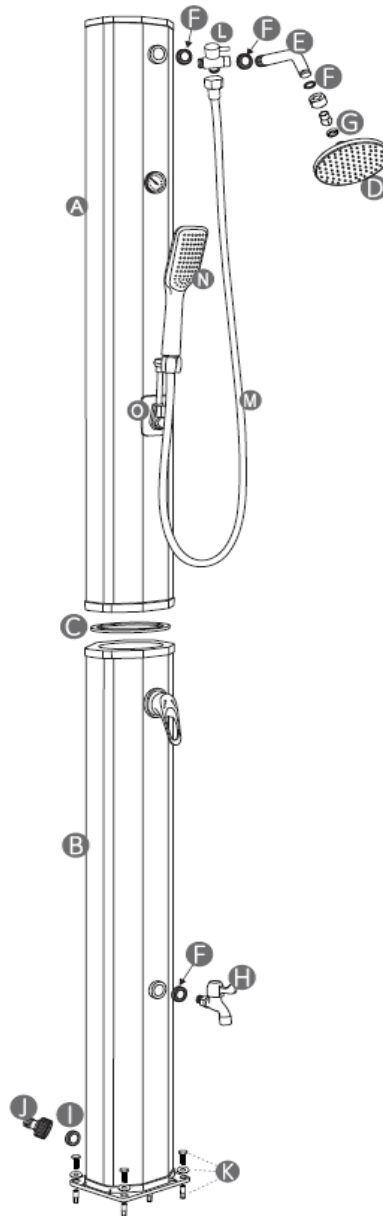
2. Parts list



<p>A</p>  <p>1x</p>	<p>B</p>  <p>1x</p>	<p>C</p>  <p>1x</p>
<p>D</p>  <p>1x</p>	<p>E</p>  <p>1x</p>	<p>F</p>  <p>Ø 19 mm</p> <p>4x</p>
<p>G</p>  <p>Ø 24 mm</p> <p>1x</p>	<p>H</p>  <p>1x</p>	<p>I</p>  <p>Ø 19 mm</p> <p>1x</p>
<p>J</p>  <p>1x</p>	<p>K</p>  <p>4x</p>	<p>L</p>  <p>1x</p>
<p>M</p>  <p>1x</p>	<p>N</p>  <p>1x</p>	<p>O</p>  <p>1x</p>

3. Assemble instructions

1. Choose a location which will receive as much as possible sunlight for your solar shower.
2. Mount the lower stand with shower base (B) to concrete slab or wood base with four bolts, washers and nuts (K). We recommend using wrench.
3. Attach shower head (D) with gasket (G) and gasket (F) to the extension pipe (E). Attach the change-over valve (L) with the gasket (F) to the extension pipe (E). Fix the change-over valve (L) with the gasket (F) into the thread of the upper stand (A). Adjust these parts only with your hands. Do not use a wrench. Attach the hose (M) with the change-over valve (L) and the hand shower (N). Mount the hand shower holder (O) on the upper stand (A).
4. Put the O-ring (C) onto the lower stand (B).
5. Lift the upper stand (A) onto the lower stand (B). Connect the hoses.
6. Turn the locking ring clockwise to connect the two stands (A+B). Handle and shower head (D) need to face the same direction.
7. Attach footwash (H) with gasket (F) to the lower stand (B).



4. Use

4.1 Initial set up of the shower

1. Open the handle and turn it to position “**hot**”. This ensures that no air pockets are trapped in the hoses while filling with water.
 2. Attach your garden hose to the hose connector (**J**). Turn on the water to fill the solar shower. It will take some minutes to fill up the solar shower.
 3. When the water flows out of the shower head (**D**), turn the handle off. Now the solar shower begins to heat the water.
 4. Depending on available sunlight and outside temperature, the solar shower will take about two hours to fully heat the water.
 5. Water temperature in the solar shower can reach up to 60 degrees during strong sunshine.
- **WARNING:** To avoid scald, pay attention to turn the handle to “**cold**” water position before using the solar shower. Then adjust the desired temperature.

4.2 Notes on use

- Attention: If you have not used the solar shower for more than 3 days, we recommend that you run the water for 2 minutes before use to replace the water in the solar tank. Standing water in a warm environment can be a centre for dangerous bacteria!
Attention: Standing water in the tank no longer corresponds to drinking water quality!
Using the solar shower:
 - Caution: The water in the solar tank can become hot due to sunlight. We therefore recommend that the cold/warm single-lever mixer tap is always positioned in the middle position (between hot and cold) at the beginning. Then it can be turned to the desired temperature.
1. Turn the cold/warm single-lever mixer tap to the "ON" position and you can enjoy your "solar" heated water. Note: The water supply must be turned on for the shower to work.
 2. turn off the water supply to the shower when you are finished.

4.3 After use

- The shower does not have an aqua-stop. Accordingly, the supply must be turned off after use.

4.4 Winterization

1. Turn off and disconnect garden hose.
2. Open the handle and turn it to position “**hot**” to allow the water to drain out of the hoses and solar shower (This takes app. 8-10 minutes). Do not turn off or turn the handle while draining, otherwise the water will stop draining out.
3. Turn the locking ring counter- clockwise to unthread the upper stand (**A**) from the lower stand (**B**). After this, please disconnect the hose connection. Now the water can run out of the solar shower.
4. Disassemble the lower stand (**B**) and pour the remaining water out of the solar shower.
5. Clean and dry all solar shower parts.
6. Store all solar shower parts indoors and in a dry place during winter season to prevent frostbite.


ATTENTION:

- Do not use salt or other anti freezing methods.
- Recommended water pressure: maximum 3,5 bars. Without any circumstances should the solar shower be operated by an additional pump or domestic water supply.
- The heating of the water results an expansion of the water. This allows the water to escape minimally out of the shower head.
- When initial use the shower in order to rid of plastic and oil smell, please let water run out for several minutes and clean the shower inner parts with flowing water.

5. Technical specifications

Model	AR-HE-SDTSS60 / AR-HE-SDTSN60
Tank capacity	60 l
Max. Water temperature	60°C
Material	Plastic chromed
Size mounting plate of the shower	7.09 x 5.71 in (18 x 14.5 cm)
Height of the shower head	76.8 in (195 cm)
Height of the shower	86.6 in (220 cm)
Diameter shower head	5.9 in (15 cm)
Water pressure	3.5 bar
Net weight	19.90 lbs (9.0 kg)
Colour	Black, Silver / Black

6. Environmentally friendly disposal

 **Warning! from the risk of suffocation!** Packaging material is dangerous for children. Never let children play with packaging material.

6.1 Disposal and packaging

- The packaging of your device is made of materials necessary to guarantee effective protection during transport. These materials are fully recyclable and thus reduce the environmental impact. Dispose of the packaging in a bin for recyclable materials.

6.2 Disposal of waste equipment

- Waste equipment must be disposed of in accordance with the guidelines and regulations of local waste disposal. Contact your local administration via the address of the nearest recycling centre and deliver your device there.

Our customer service number: Tel. +44 (0) 208 068 5604

fax: +49 (0) 931 4523 2799 / e-mail: info@arebos.de

Office address: Canbolat Vertriebs GmbH • Gneisenaustraße 10-11 • 97074 Würzburg

Return address can be found in the imprint: <https://www.arebos.de/impressum/>

EU Declaration of Conformity



We, the

Canbolat Vertriebs GmbH, Gneisenaustraße 10-11, 97074 Würzburg, Germany,

hereby declare that the equipment described below, by virtue of its design and construction and in the versions placed on the market by us, complies with the relevant essential health and safety requirements of the EU directives.

Product name: AREBOS Solar Shower
Model number: AR-HE-SDTSS60 / AR-HE-SDTSN60
Article number: 4252023109512 / 4252023108249

Should the appliance be modified without our consent, this declaration of conformity will lose its validity.

EU Standard:
EN 817:2008
EN 1112:2008

Date/Signature Manufacturer/Place:

Würzburg, October 5, 2022

A handwritten signature in black ink, appearing to be 'K. Canbolat', is written over the signature line.

Signature:
Dipl.-Inform. (Univ.) Korhan Canbolat, Managing Director

Representative of these instructions for use/technical data:
Dipl.-Inform. (Univ.) Korhan Canbolat, Managing Director

Office address:
Canbolat Vertriebs GmbH
Gneisenaustraße 10-11
D-97074 Würzburg

Return address can be found in the imprint: <https://www.arebos.de/impressum/>

VAT identification number: DE 263752326
Court of the Commercial Register is Würzburg, HRB 10082
WEEE Reg.-No. DE 61617071