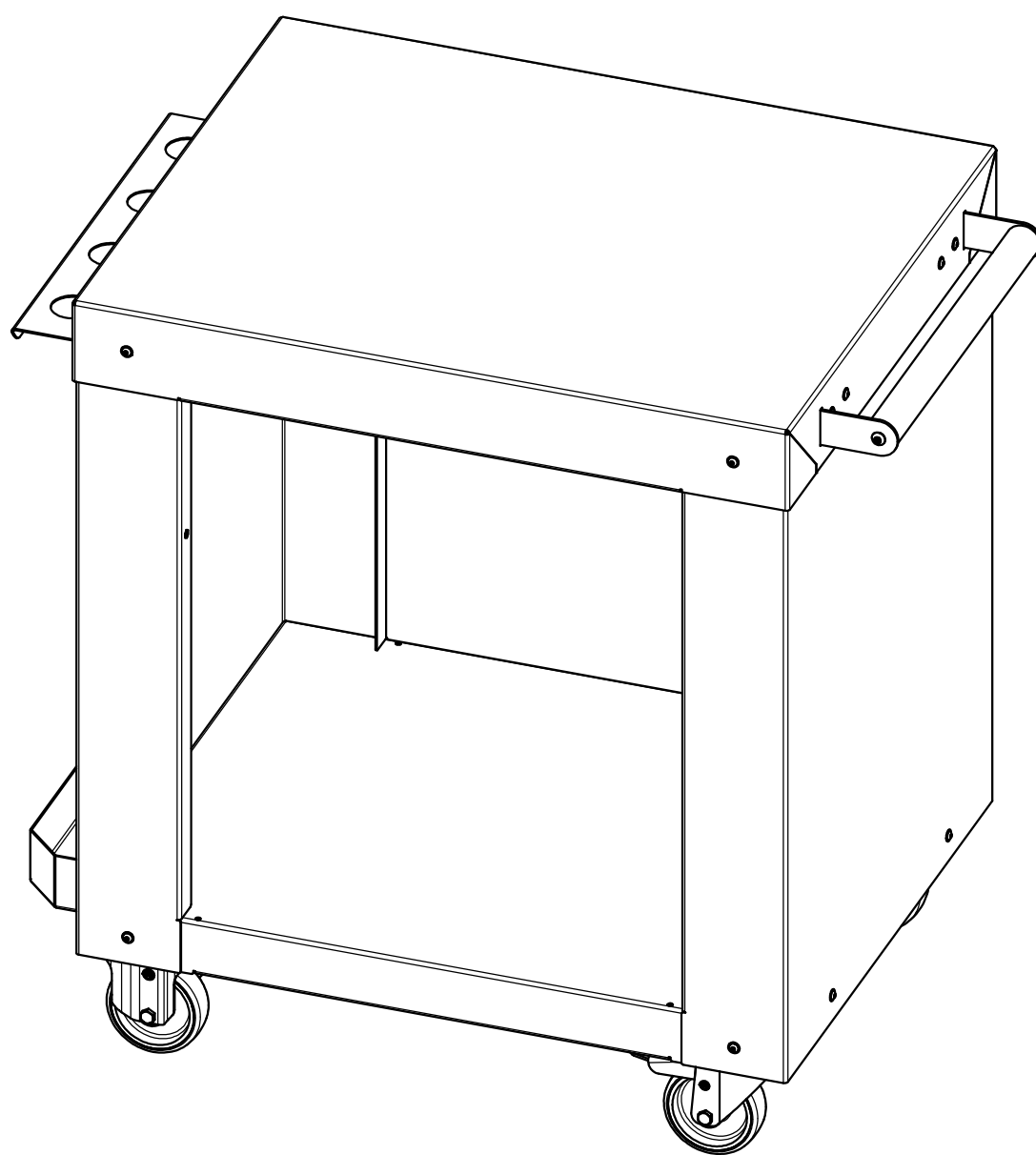


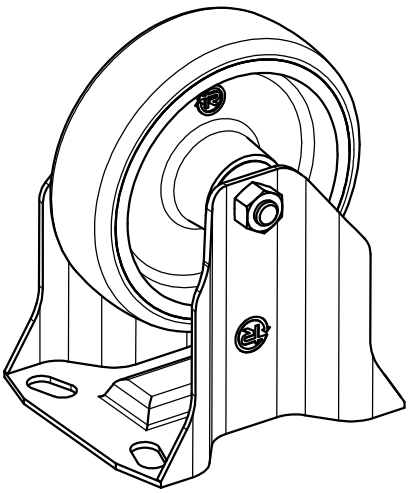
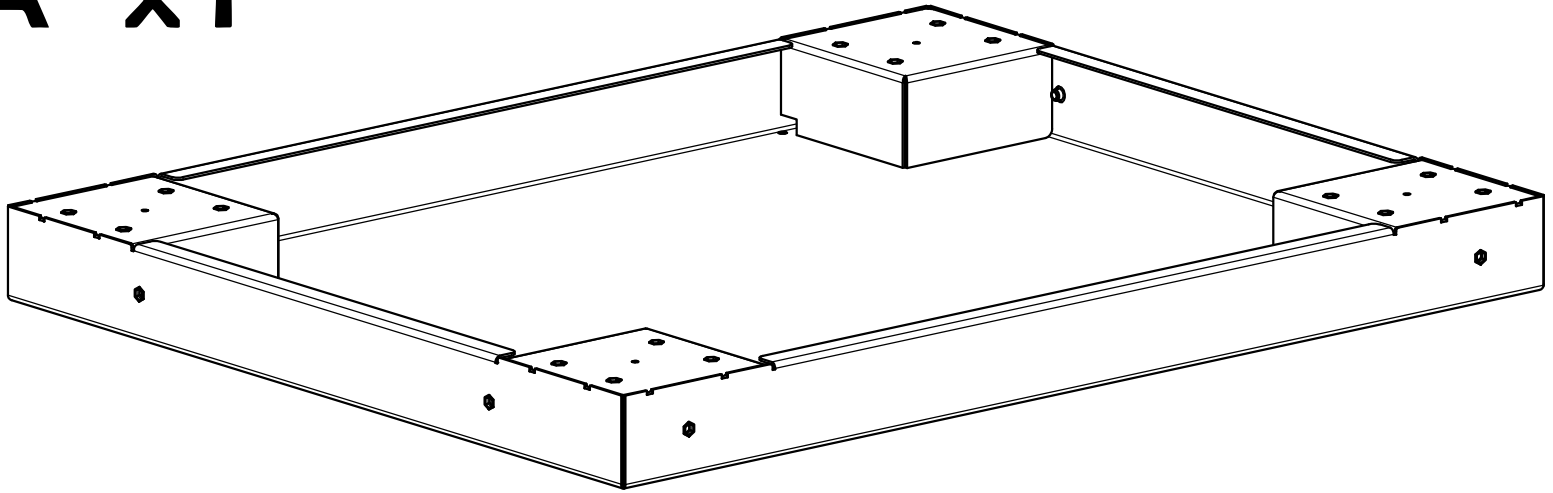


AMALFI TROLLEY

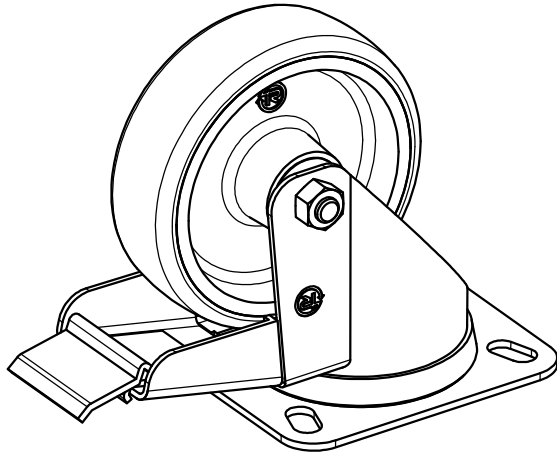
BBA123



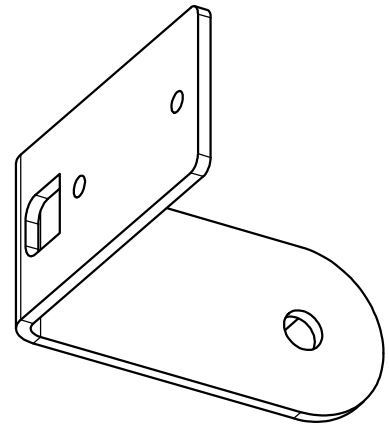
A x1



B x2

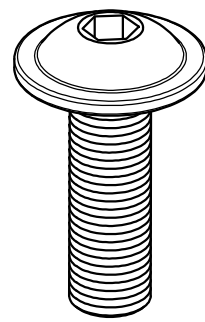
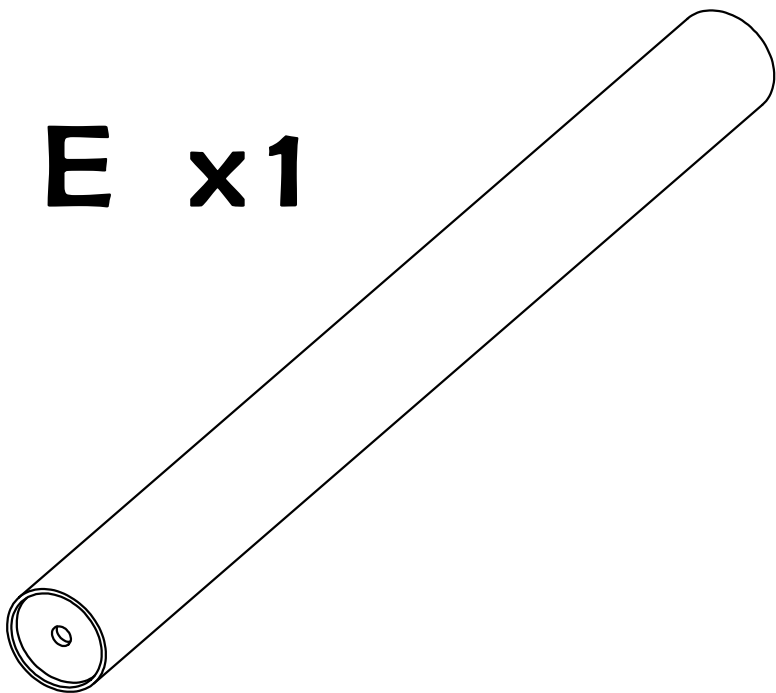


C x2

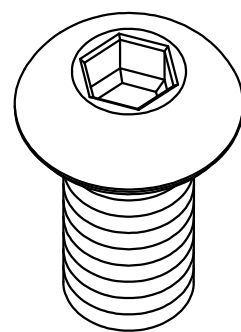


D x2

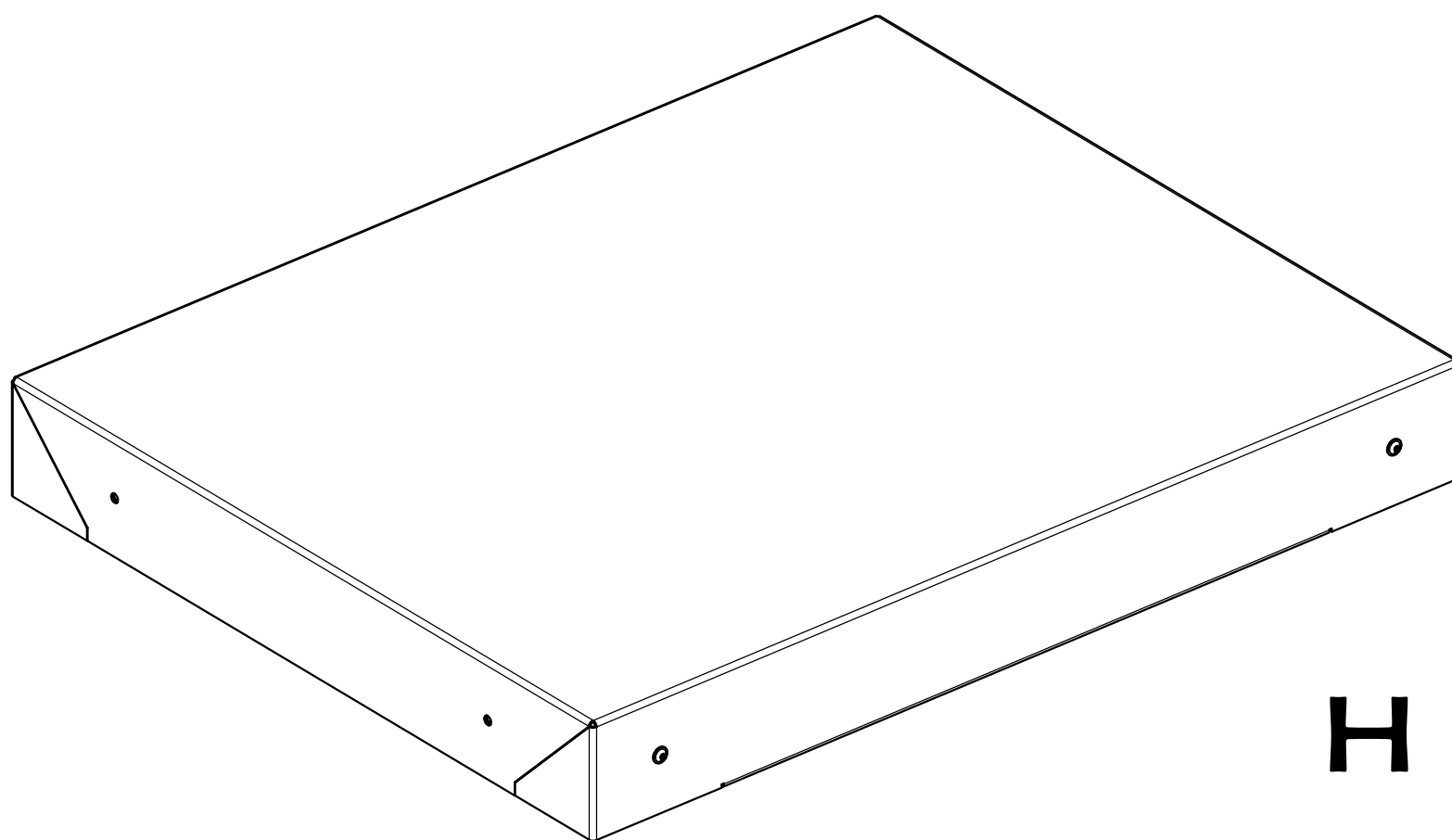
E x1



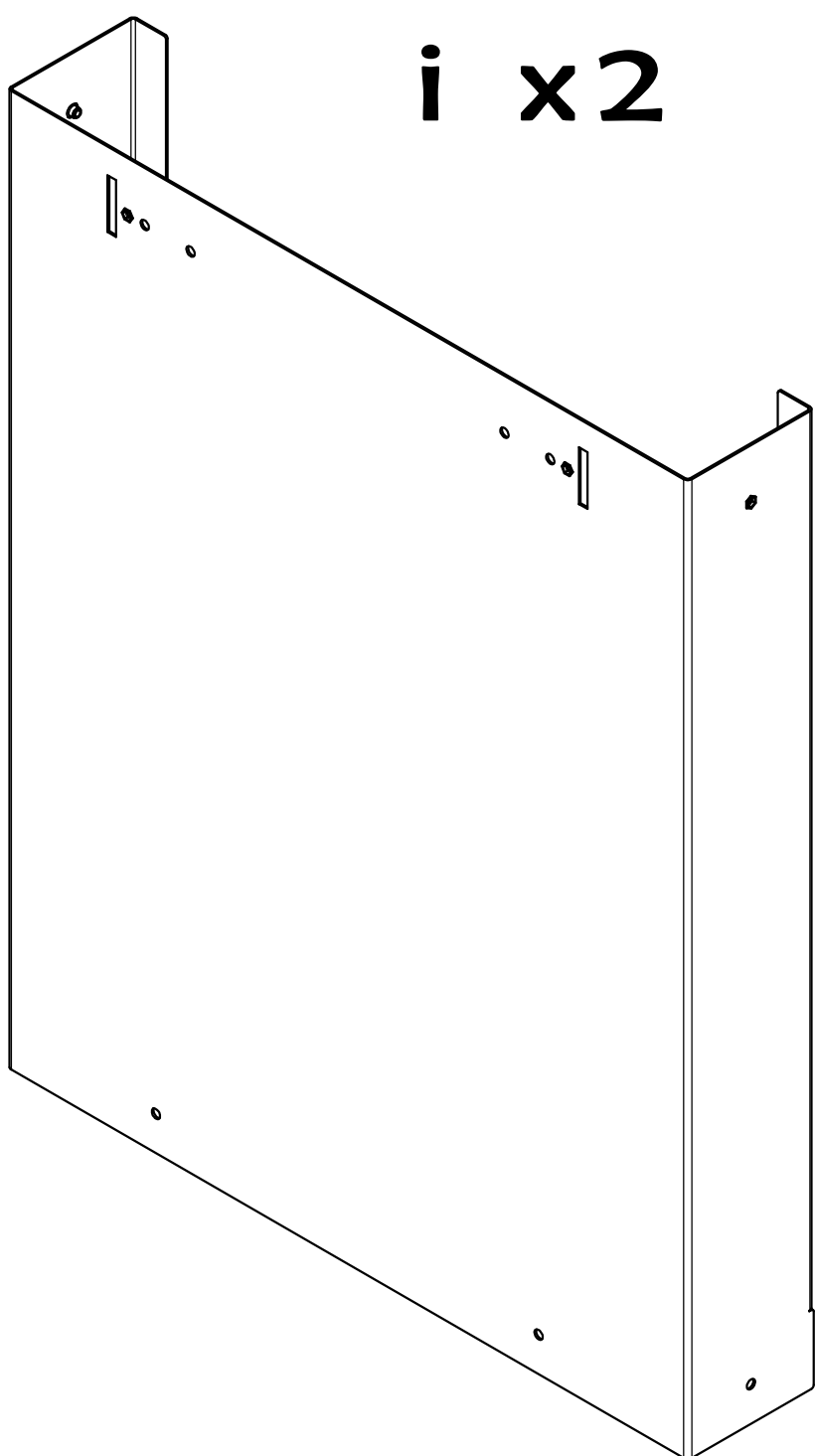
**F x34
M5**



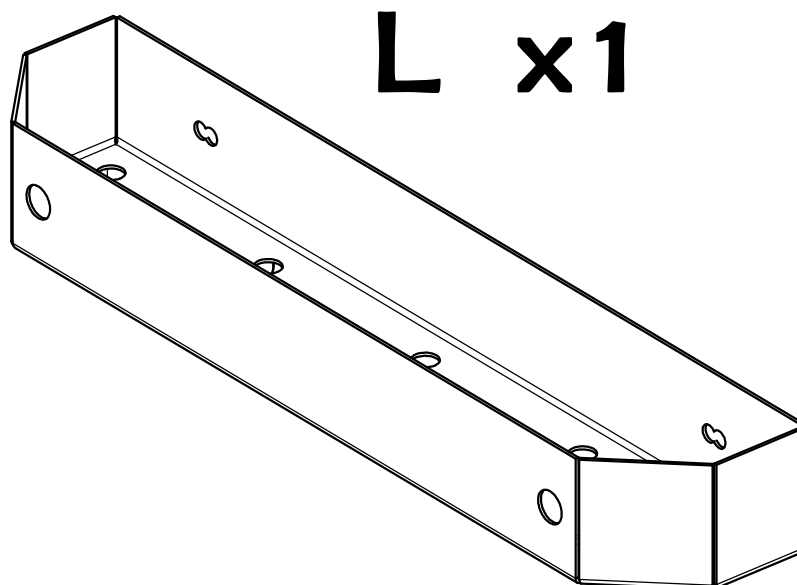
**G x2
M8**



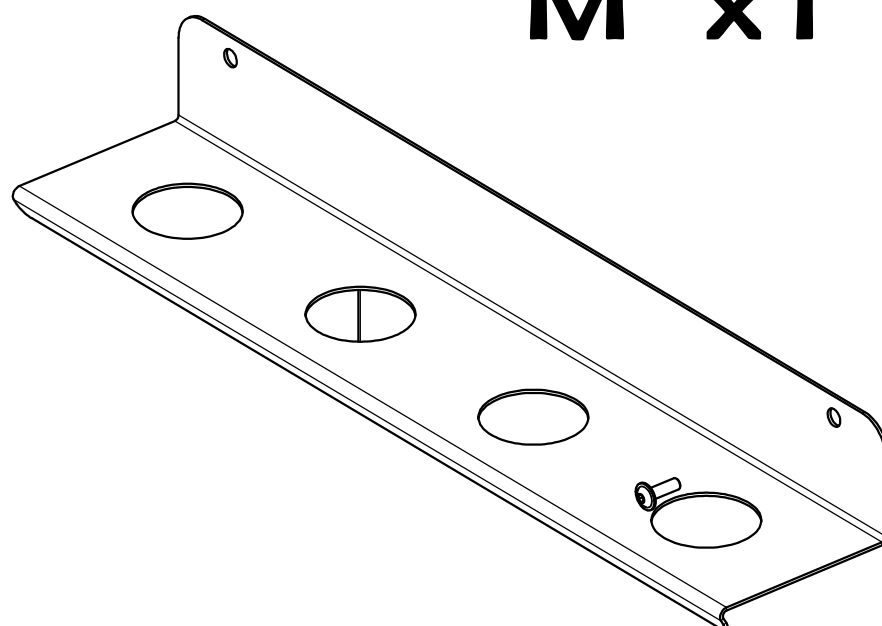
H x1



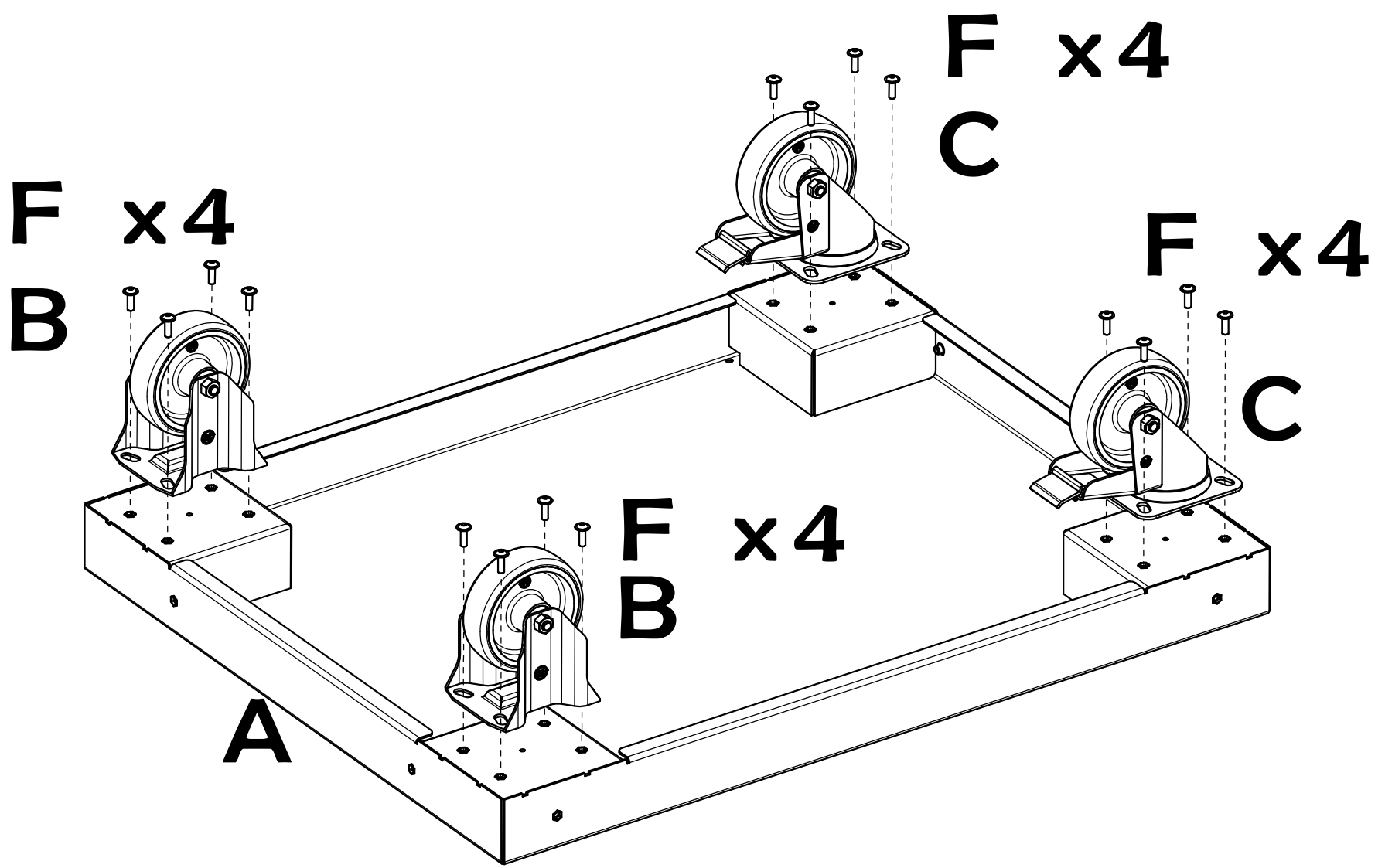
i x2



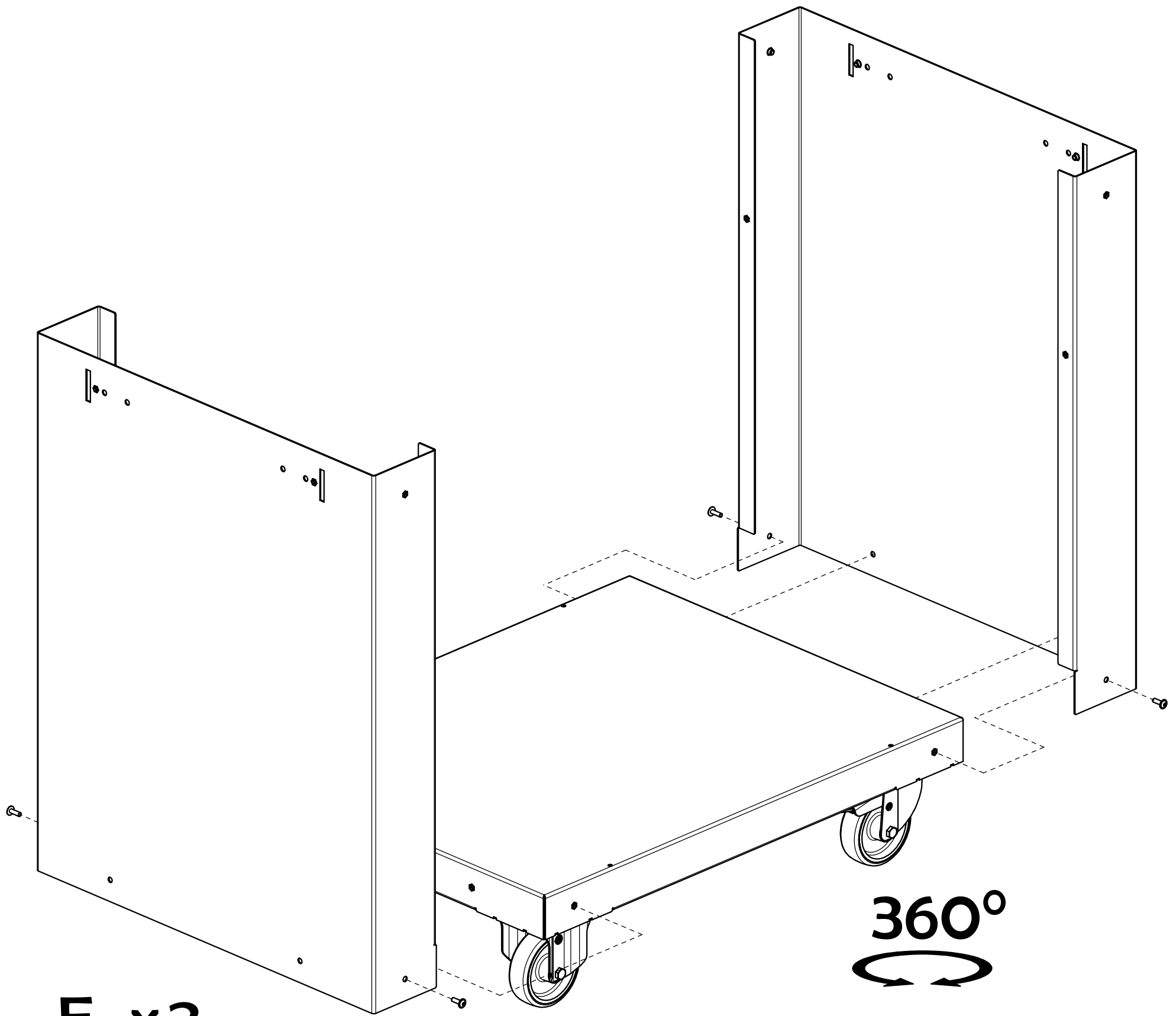
L x1



M x1



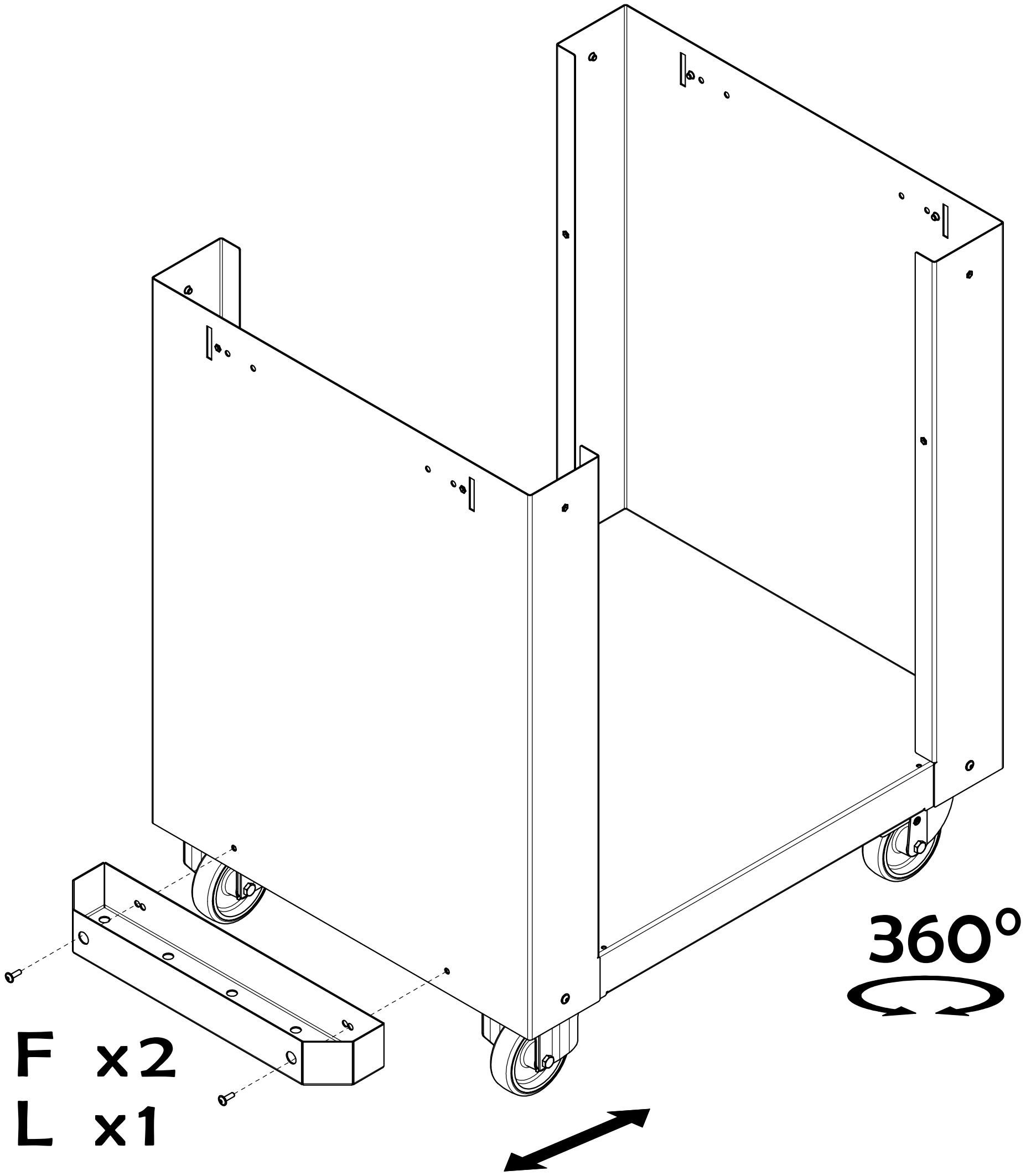
F x4
i x1



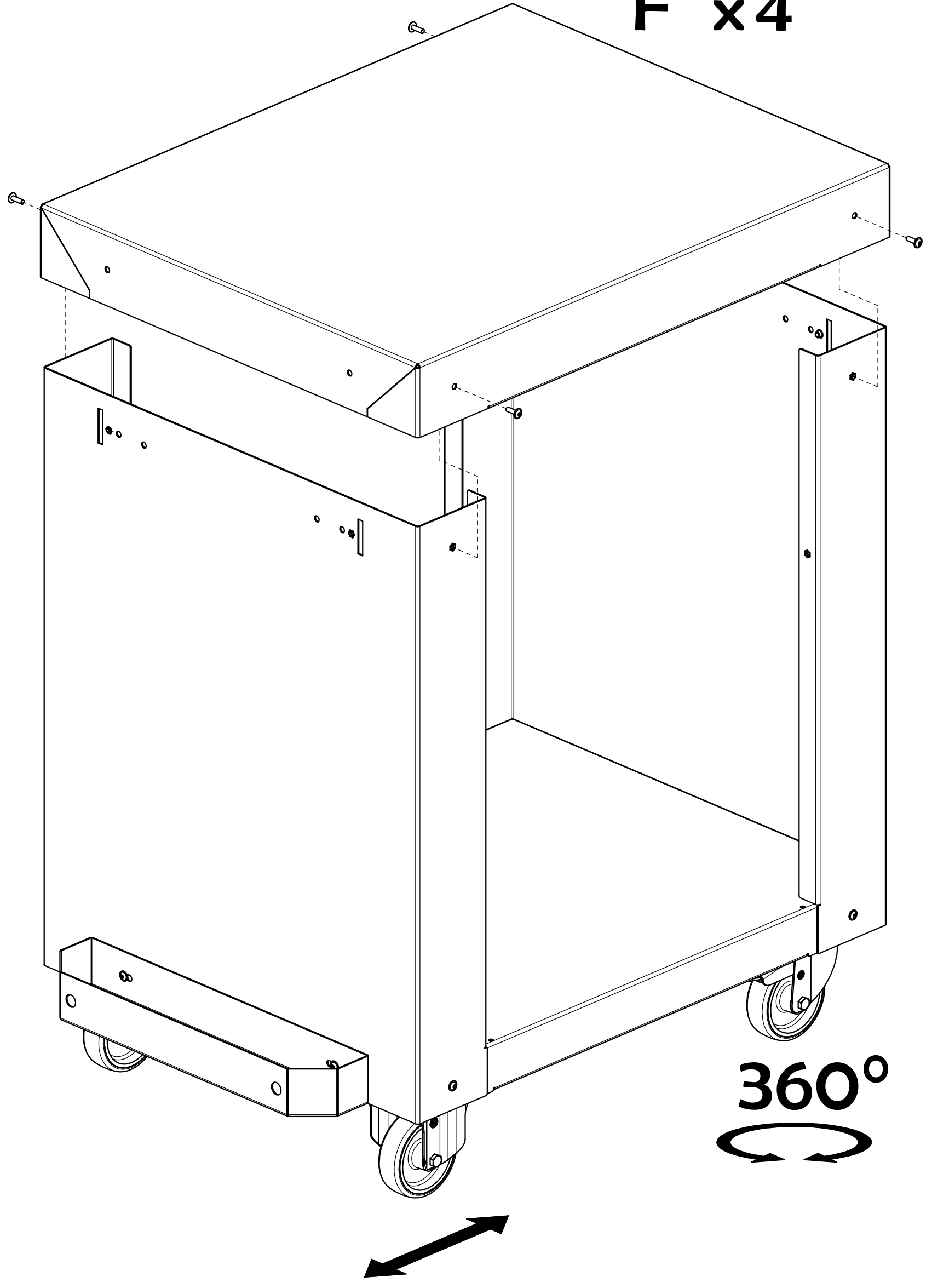
F x2
i x1

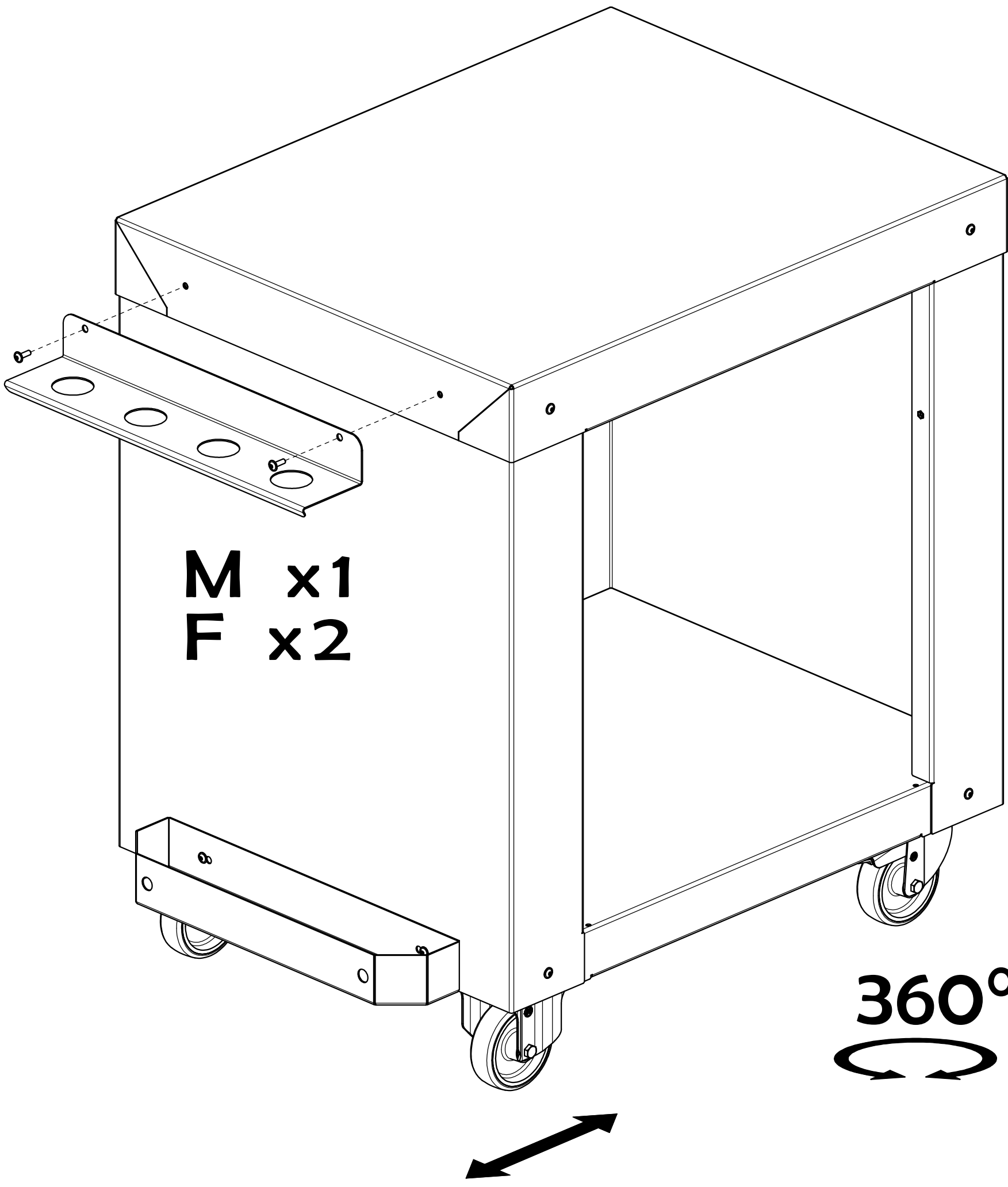
360°





H x1
F x4

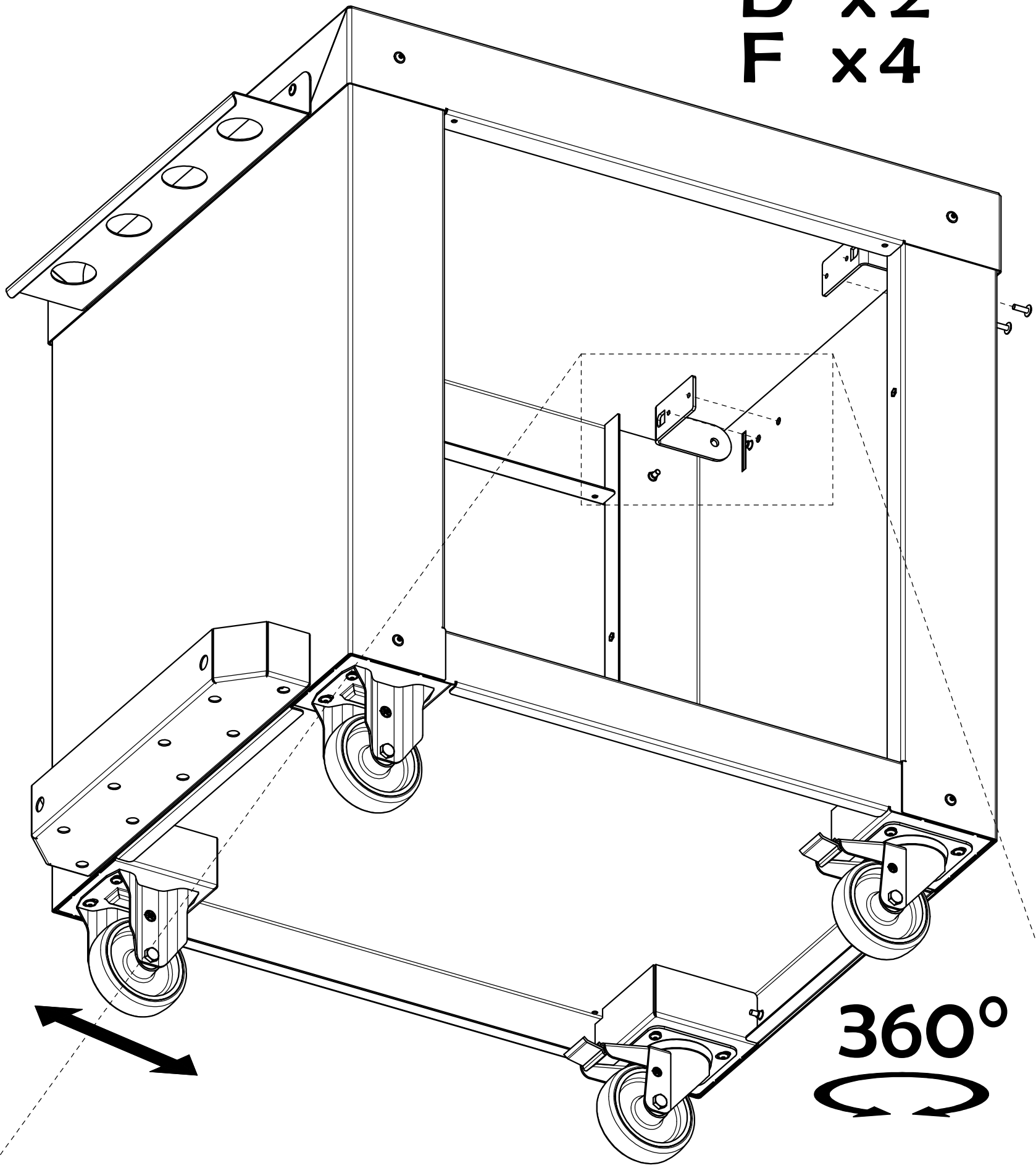




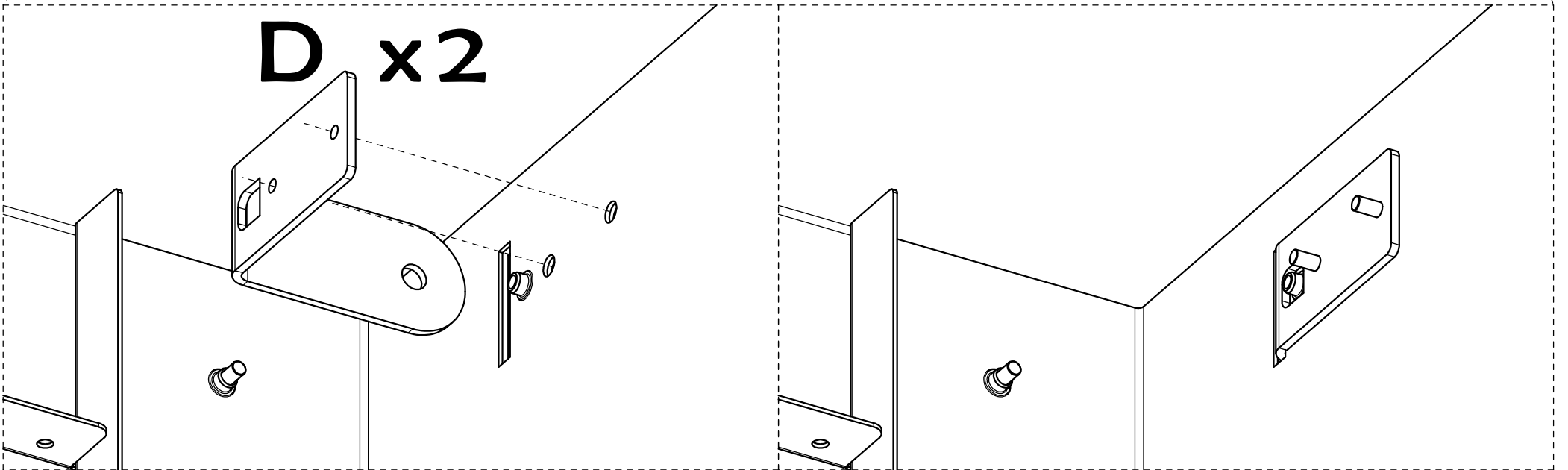
M x1
F x2

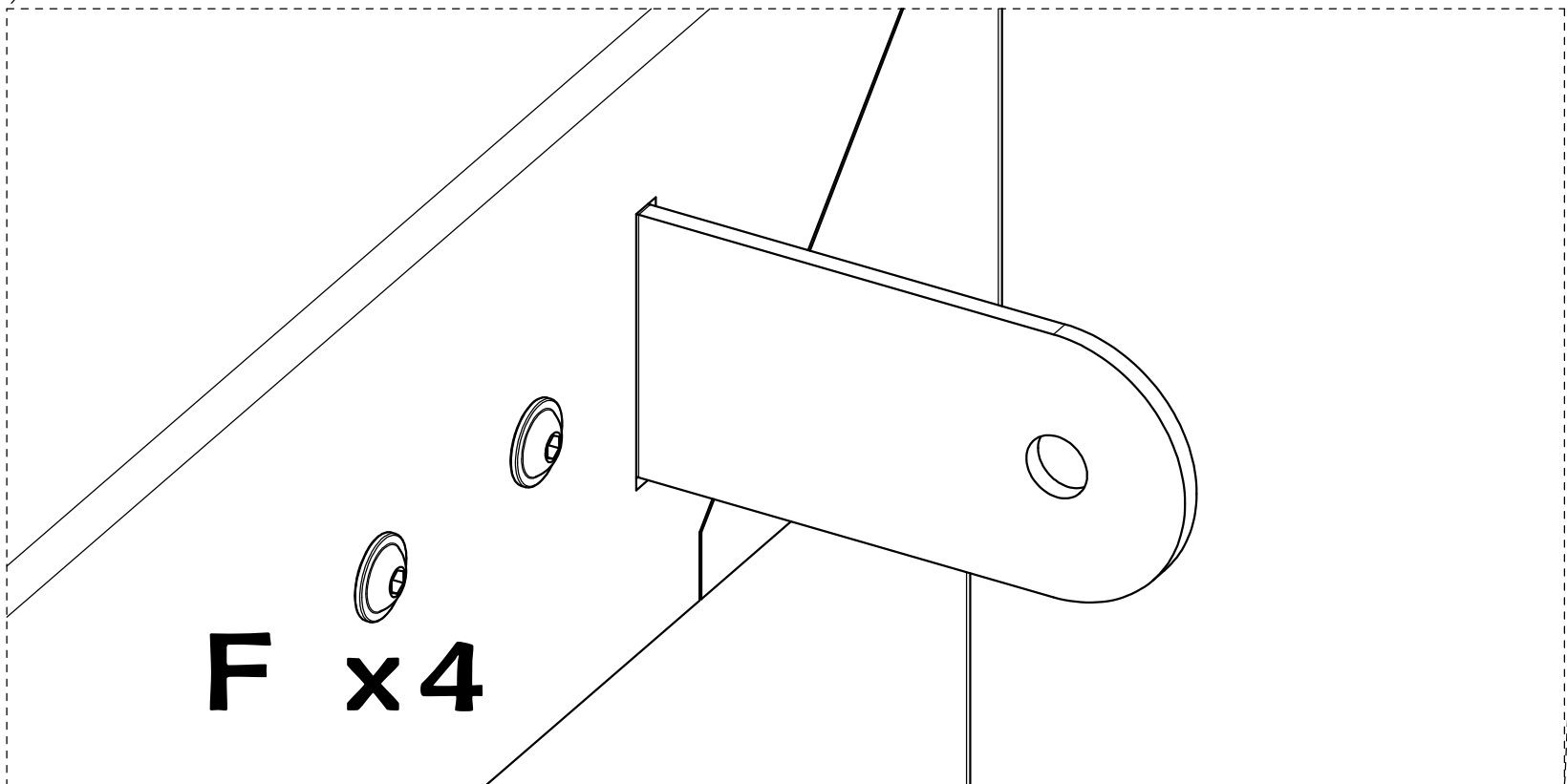
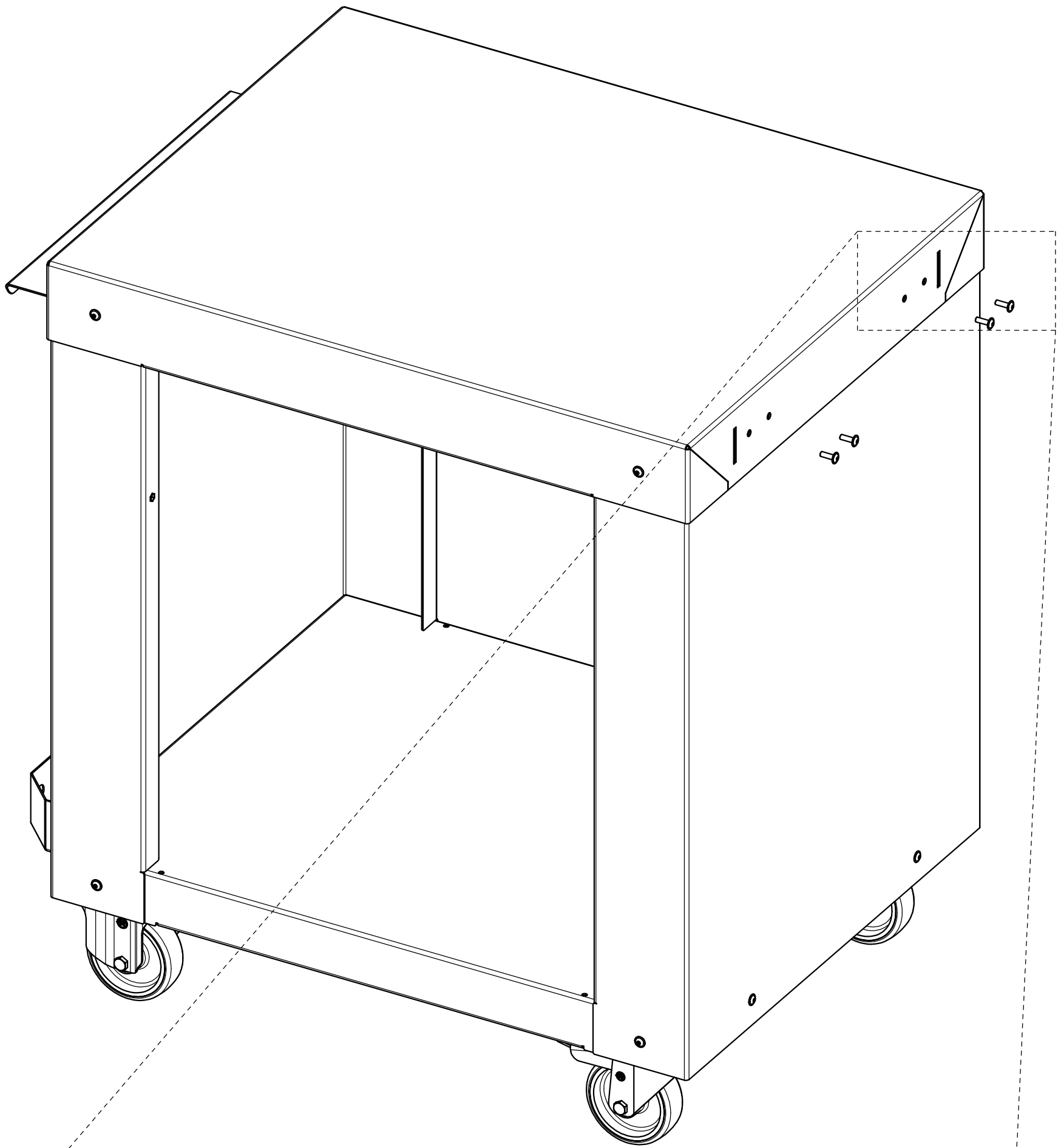
360°

D x2
F x4

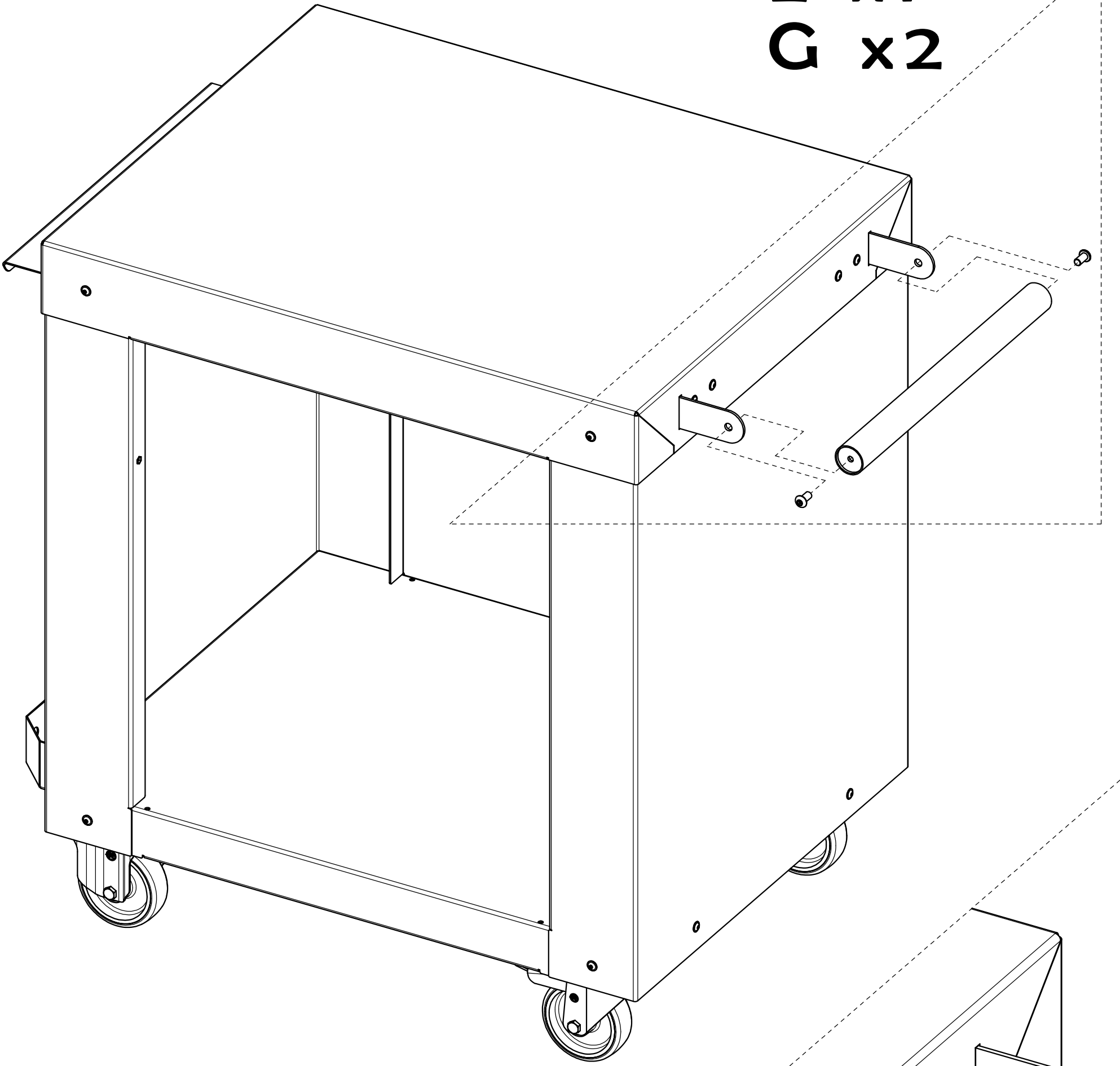


D x2





E x1
G x2



E x1

G x2

