



KLARSTEIN

CHAL-TEC GmbH

Wallstraße 16,
10179 Berlin, Germany
WEEE-Nr.: DE 46906833

Importer for Great Britain,
Berlin Brands Group UK Ltd
PO Box 1145
Oxford, OX1 9UY,
United Kingdom

Item-Nr.: 10032034
Description: Wine Cooler

Specifications:

Voltage/ Frequency: 220-240V/50Hz

Current: 1,2A

Power: 120W

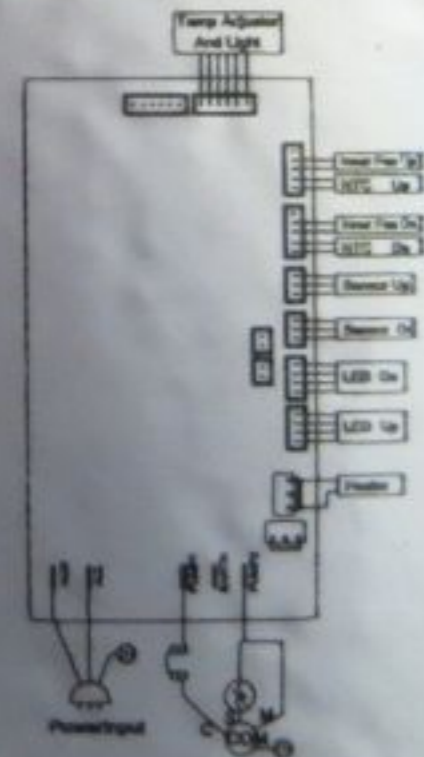
Climate Class: N,ST

Storage Volume: 425L

Refrigerant (Weight): R600a/40g

Foaming Gas: Cyclopentane

Serial number: 1003203415523020 0 7 7



Electrocircuit Line Diagram

