



KidKraft[®]

Live+Learn+Play

© 2010 KidKraft, LP

Please retain this information
for future reference

Pirate Sandboat

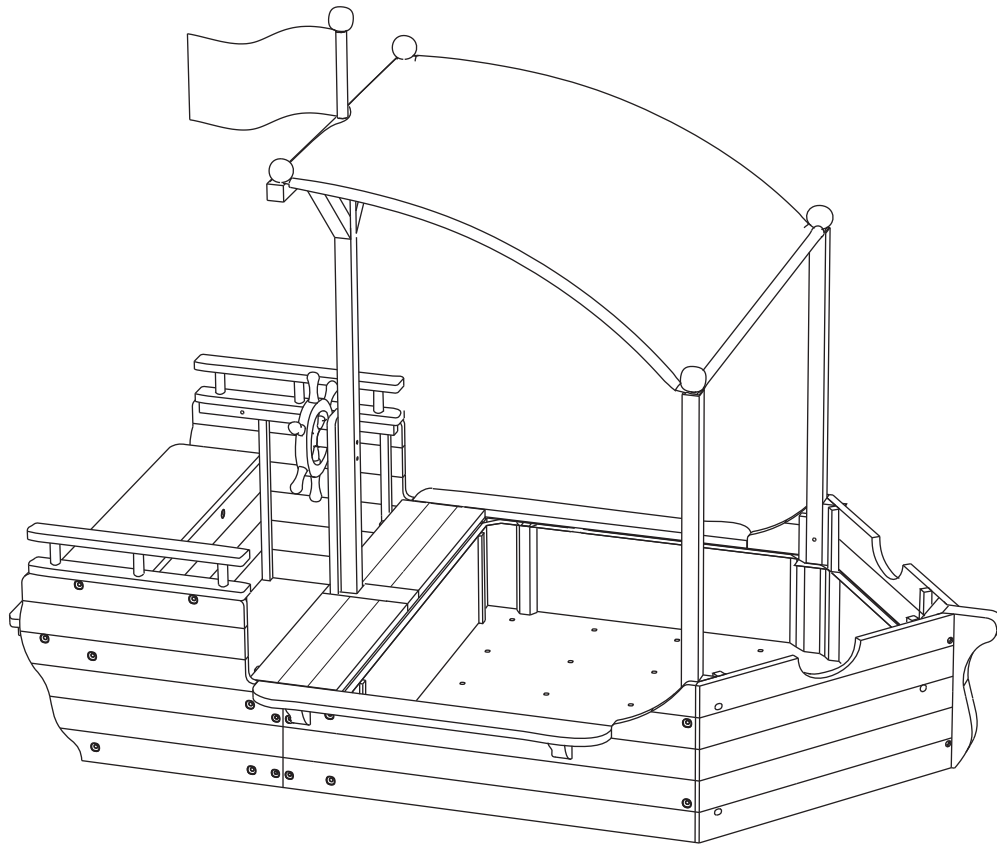
Assembly Instructions

Item# 00128A

To order replacement parts,
please visit www.kidkraft.com

REQUIRES 2 PEOPLE FOR ASSEMBLY.

3+ yrs



**ADULT SUPERVISION REQUIRED.
FOR OUTDOOR USE ONLY.**

⚠ CAUTION:
ADULT ASSEMBLY REQUIRED. Hardware contains small screws with sharp points. Keep unassembled parts out of the reach of small children.

⚠ WARNING:
CHOKING HAZARD. Small parts and sharp points, not suitable for children under 3 years.

USE AND MAINTENANCE:
-Use on level surfaces only
-Please check assembly at regular intervals, and frequently tighten hardware if necessary. If maintenance is not carried out, the product could cease to function properly.

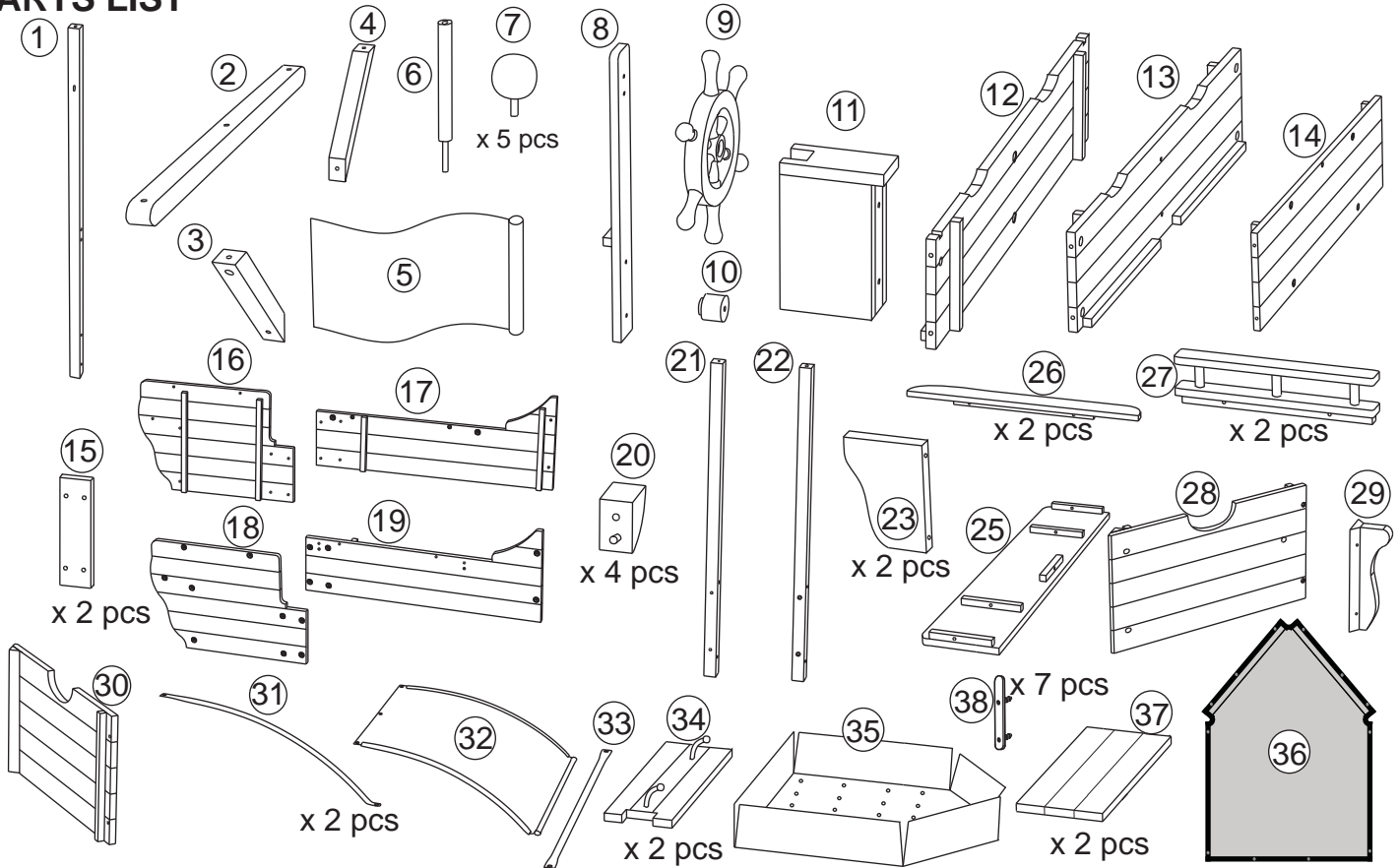
Customer Service
1-800-933-0771
www.kidkraft.com

Pirate Sandboat


Assembly Instructions

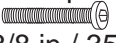
Item # 00128A

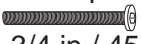
PARTS LIST




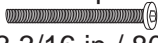
HARDWARE


A. Bolt x 27 pcs

1 3/16 in / 30 mm


B. Bolt x 4 pcs

1 3/8 in / 35 mm

C. Bolt x 4 pcs

1 3/4 in / 45 mm


D. Bolt x 16 pcs

2 3/16 in / 55 mm

E. Bolt x 3 pcs

3 3/16 in / 80 mm

F. Bolt x 1 pc

4 3/8 in / 110 mm


G. Washer x 16 pcs



H. Large Washer
x 2 pcs



I. Countersunk Washer
x 43 pcs



J. Cross Dowel Nut
x 16 pcs


K. Nut x 1 pc


L. Spacer x 1 pc


M. Bolt x 5 pcs

1 9/16 in / 40 mm

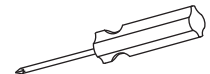
N. Wood Screw
x 12 pcs

(1/2 in / 12mm)

O. Snap
x 12 pcs


Allen Wrench x 1 pc



The following tools
(not included) are
required for assembly:



Phillips® screwdriver



Pliers

Before calling customer service, please locate the batch code number (example: 2693/65006/04) found on the bottom or back of your product.

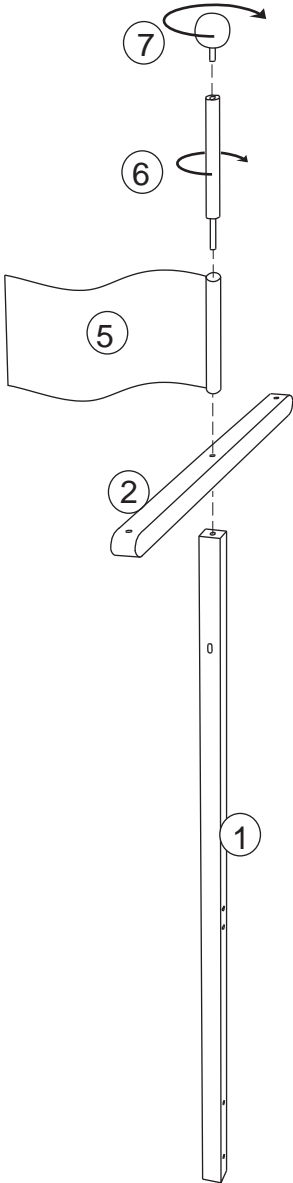
Customer Service
1-800-933-0771
www.kidkraft.com

Pirate Sandboat

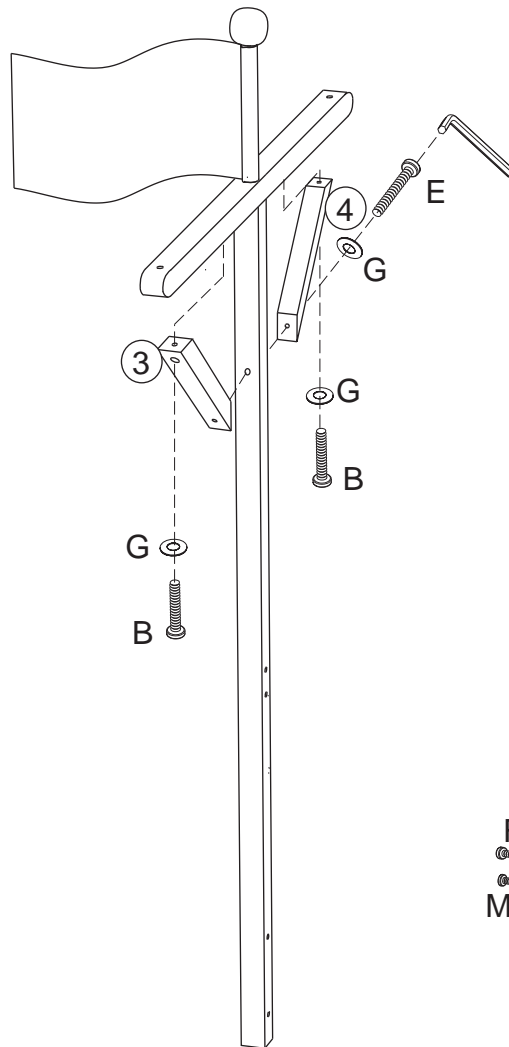
Assembly Instructions

Item # 00128A

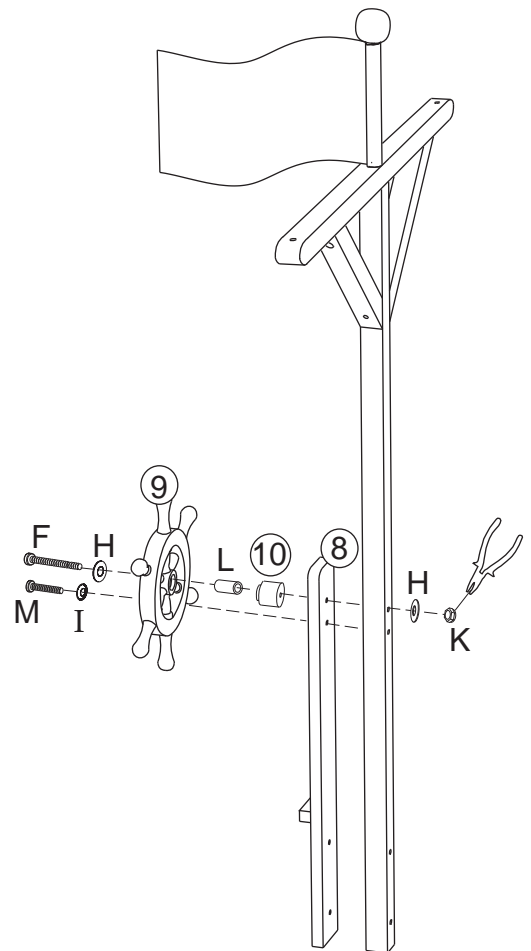
STEP 1



STEP 2



STEP 3



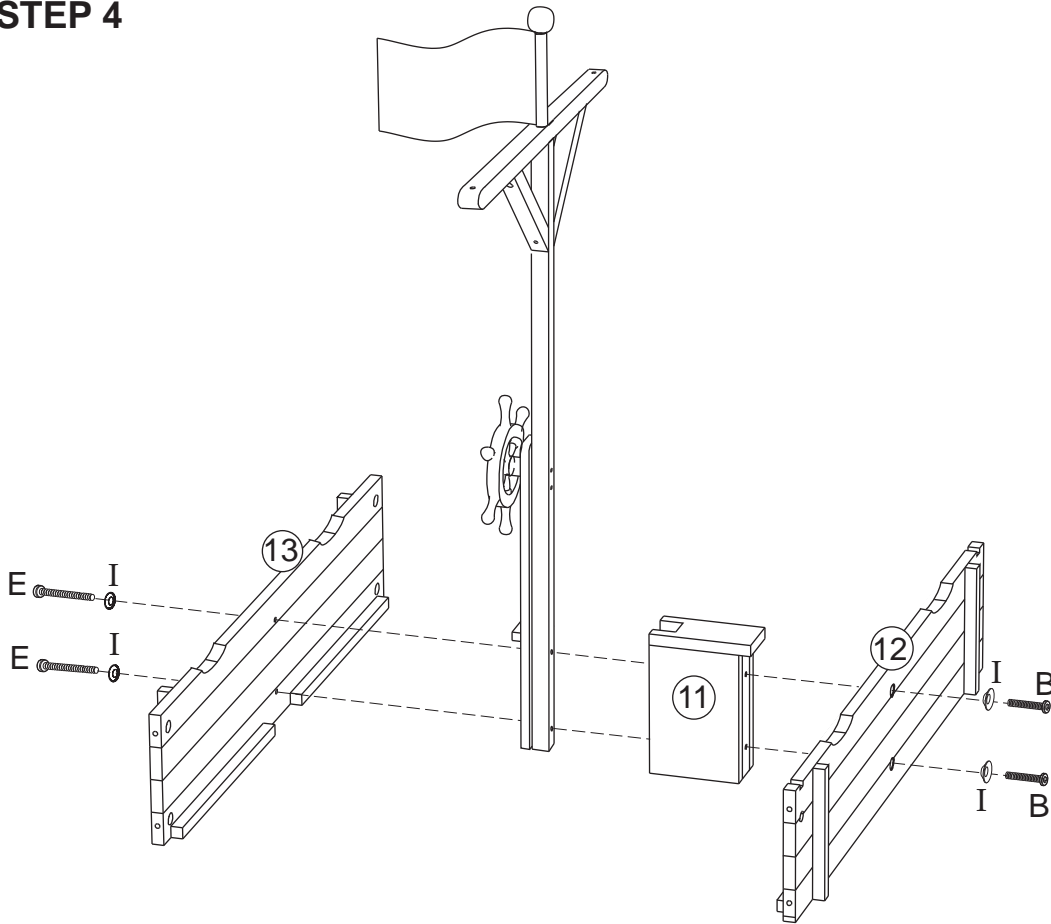
Customer Service
1-800-933-0771
www.kidkraft.com

Pirate Sandboat

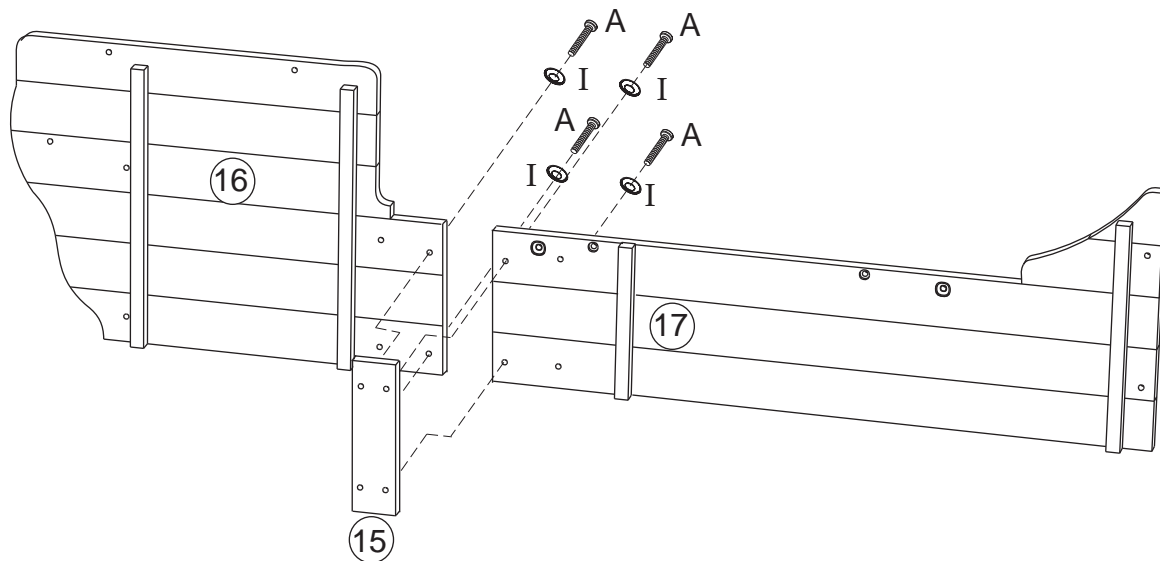
Assembly Instructions

Item # 00128A

STEP 4



STEP 5

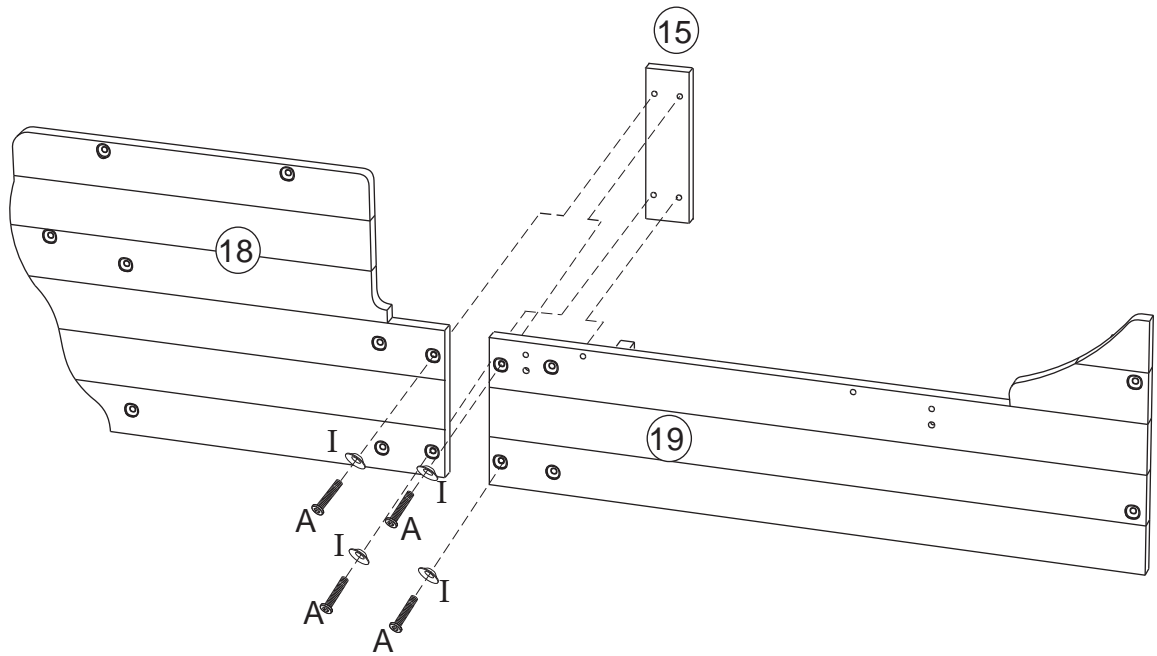


Pirate Sandboat

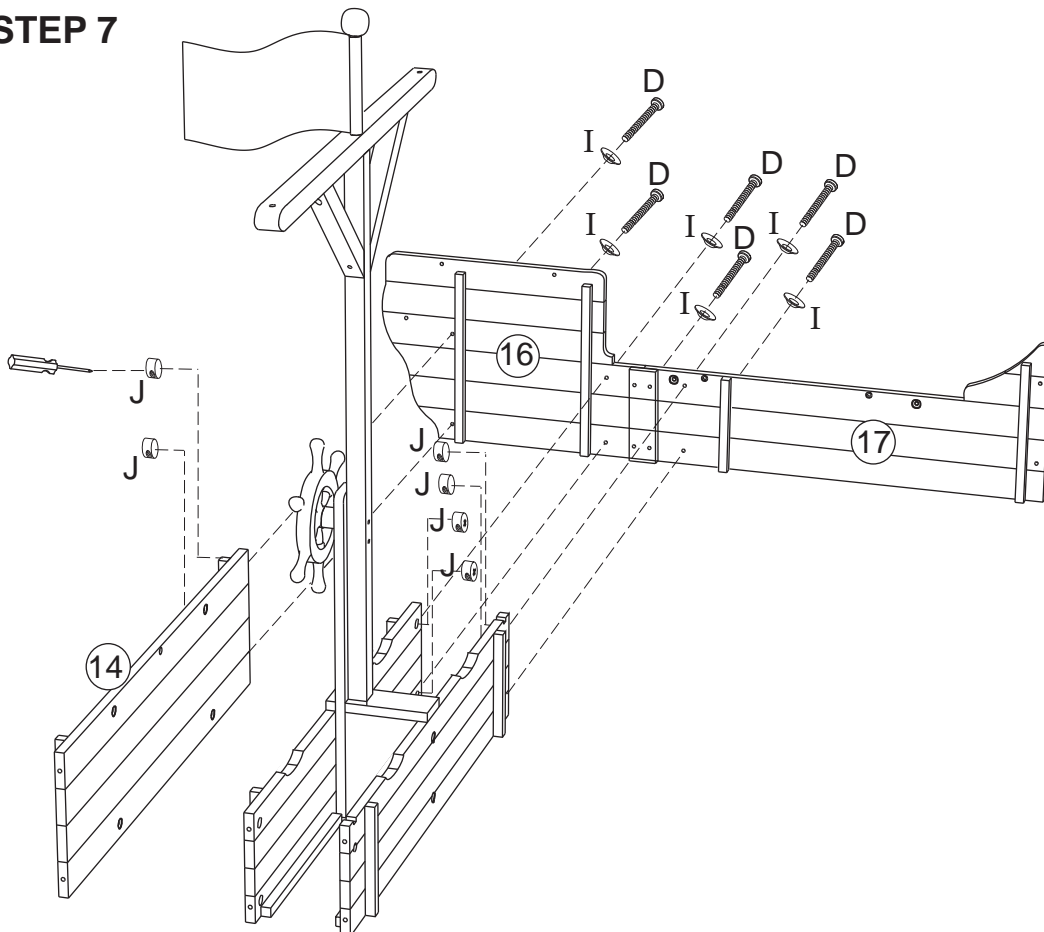
Assembly Instructions

Item # 00128A

STEP 6



STEP 7

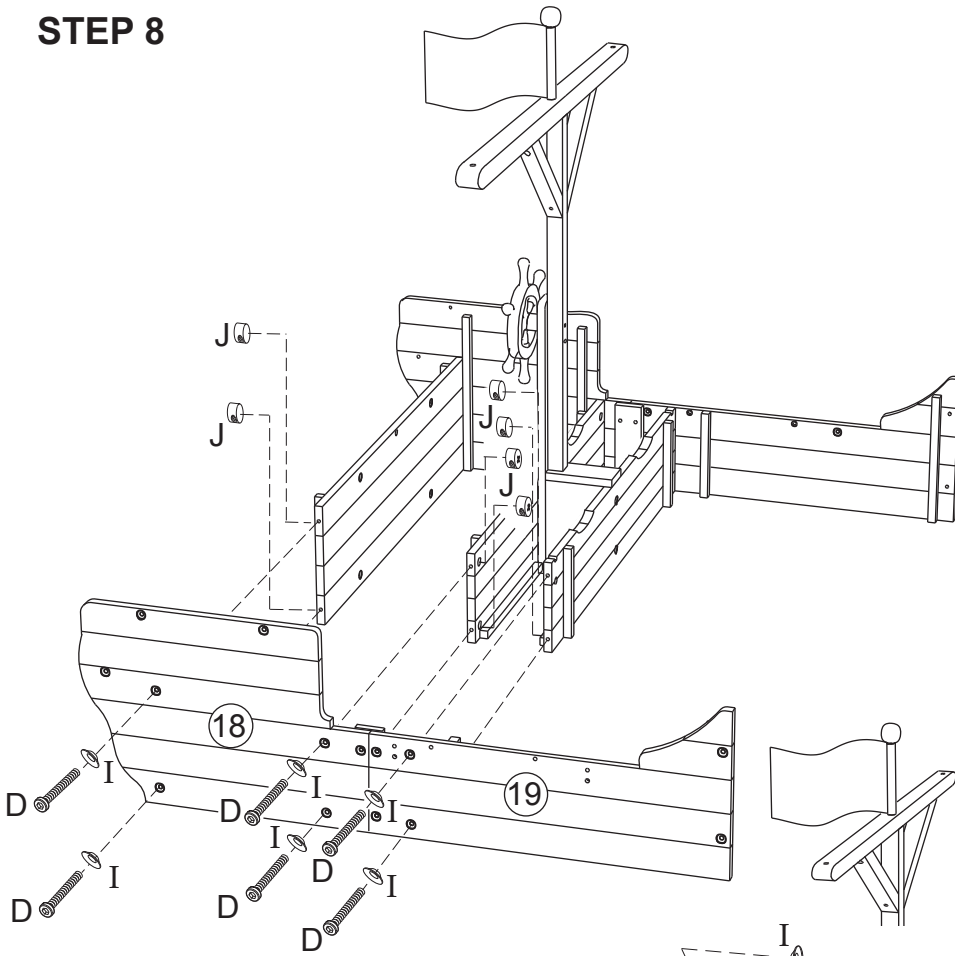


Pirate Sandboat

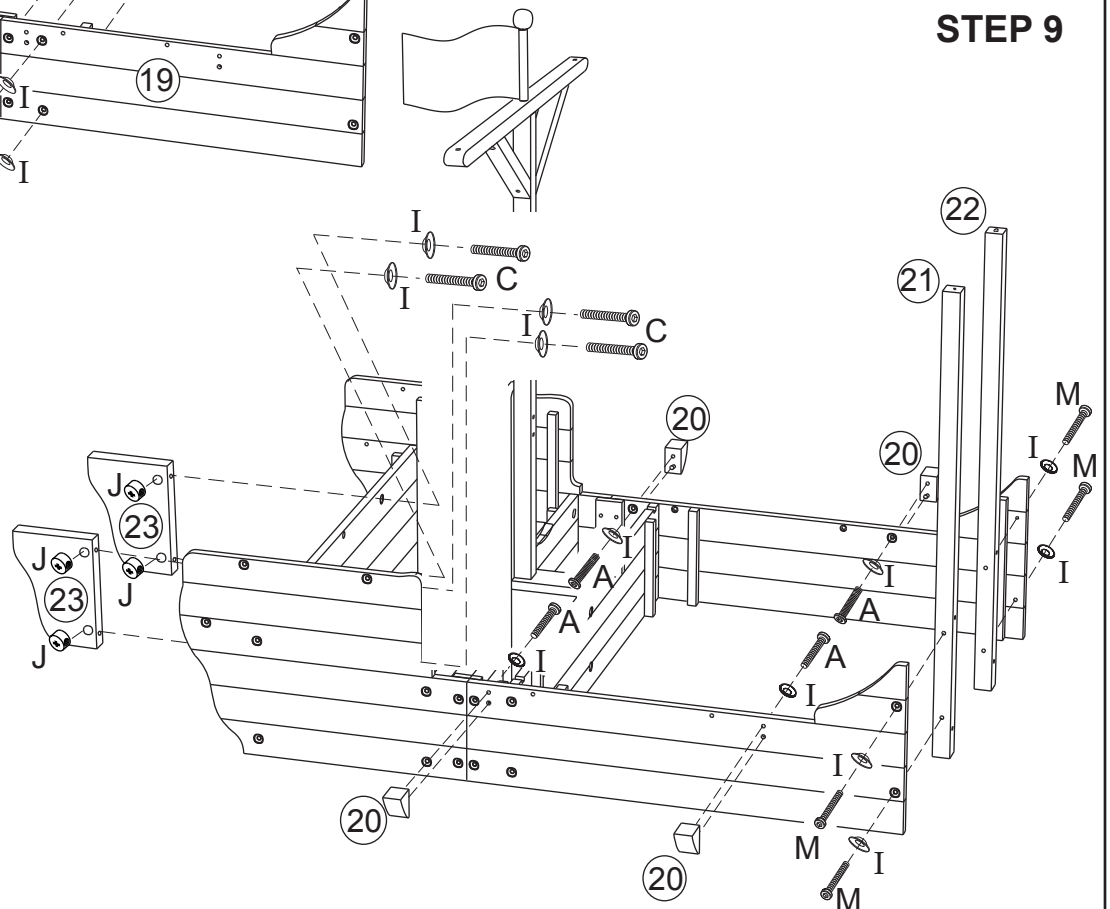
Assembly Instructions

Item # 00128A

STEP 8



STEP 9

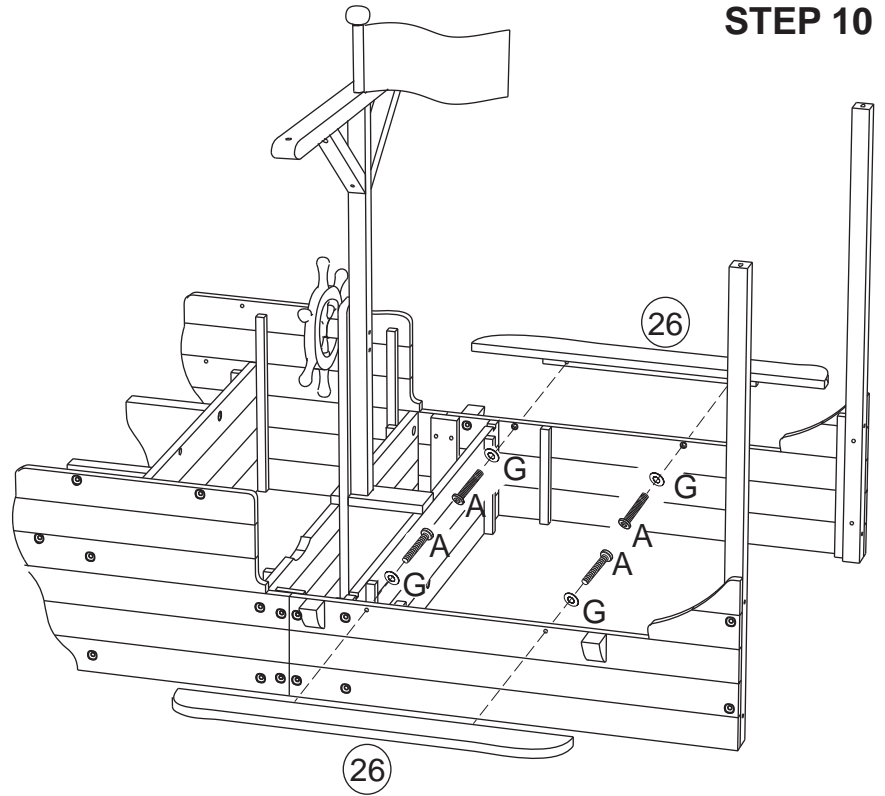


Pirate Sandboat

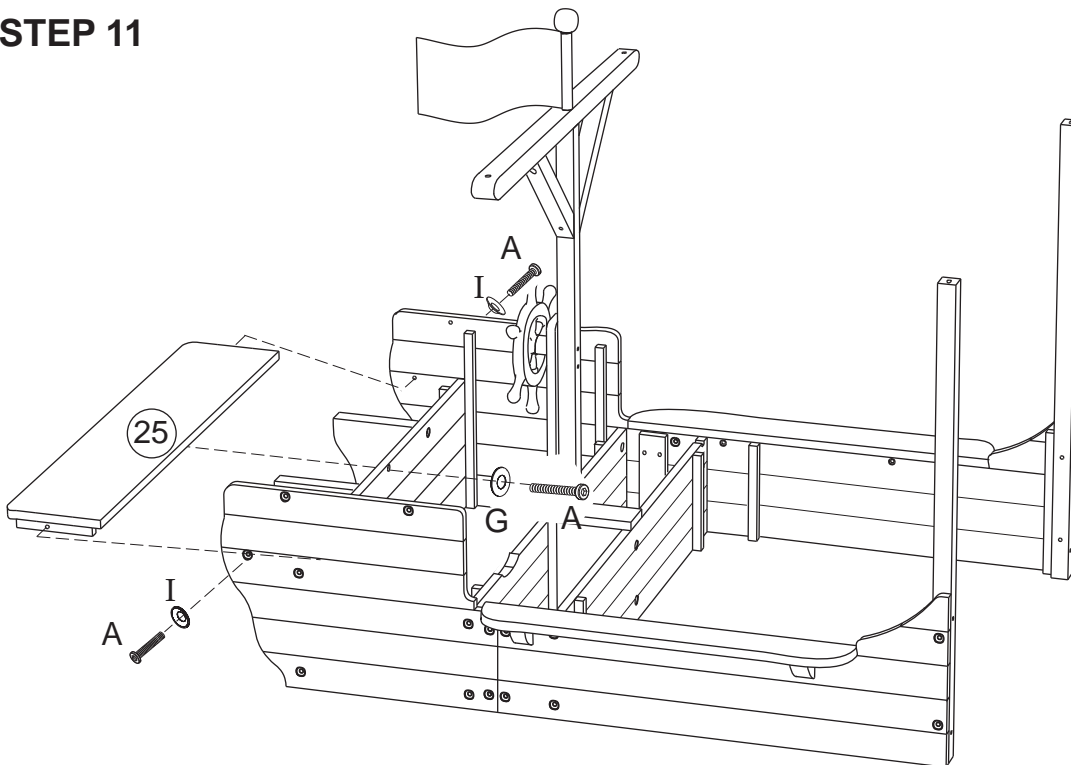
Assembly Instructions

Item # 00128A

STEP 10



STEP 11

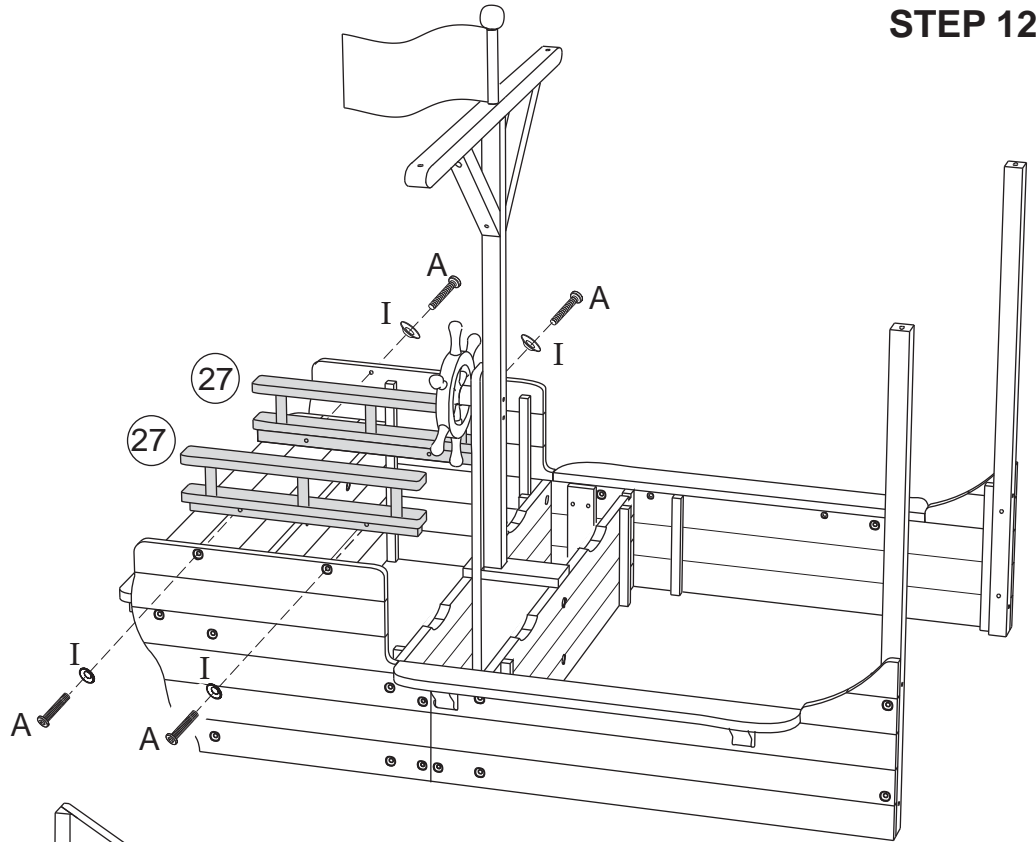


Pirate Sandboat

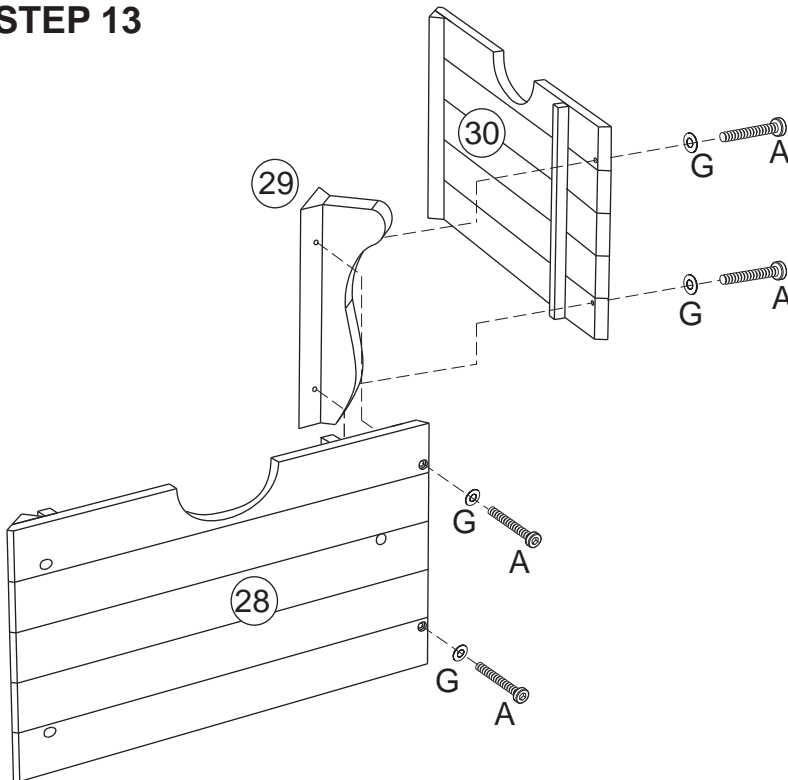
Assembly Instructions

Item # 00128A

STEP 12



STEP 13



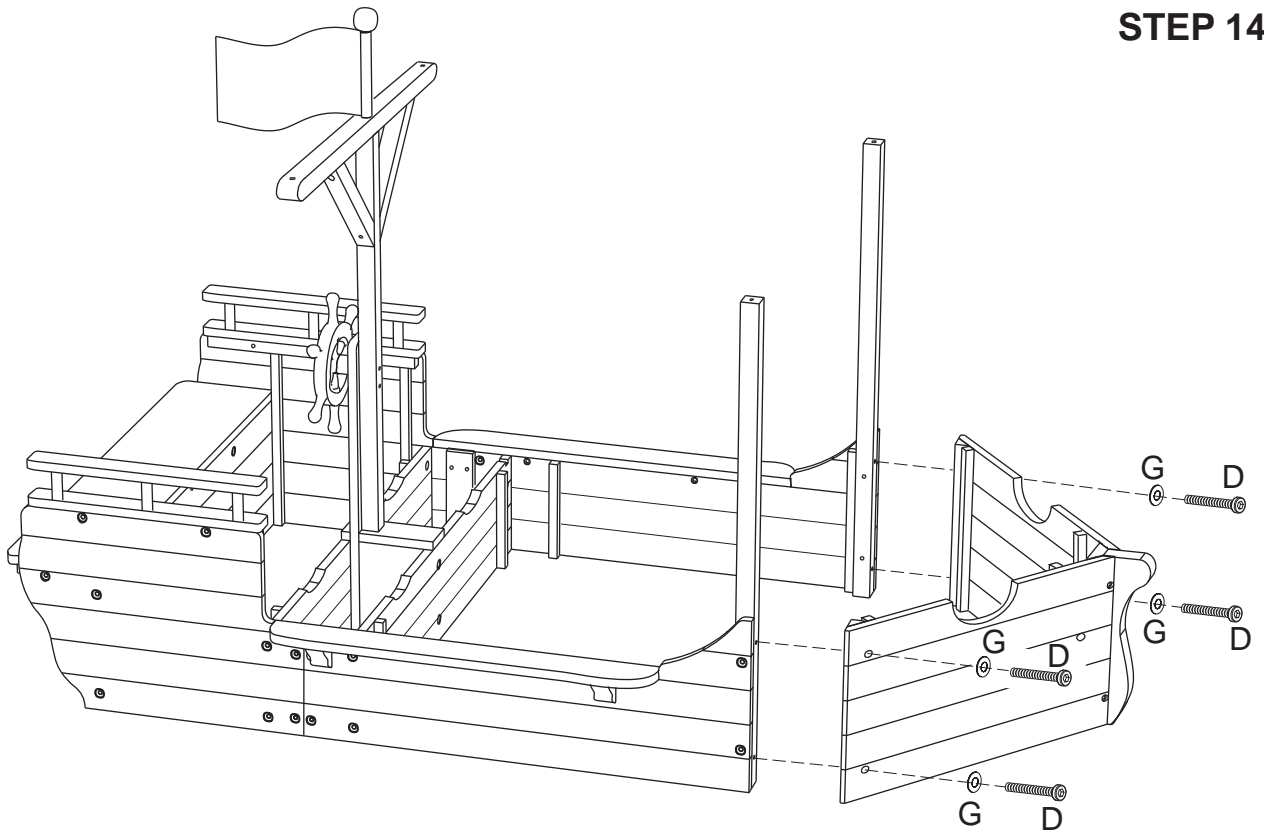
Customer Service
1-800-933-0771
www.kidkraft.com

Pirate Sandboat

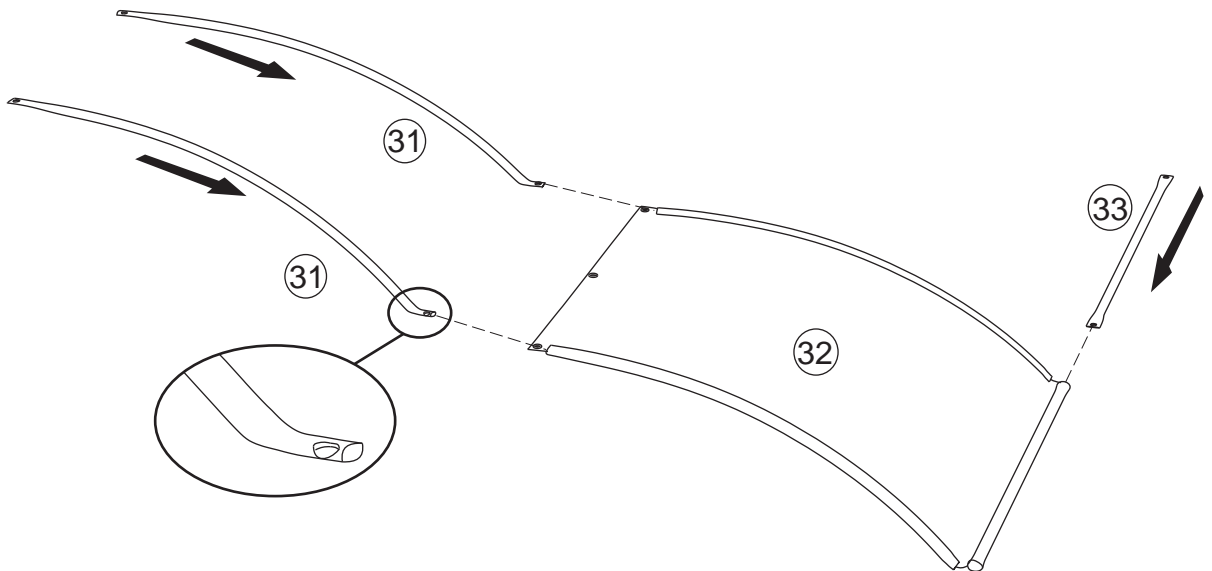
Assembly Instructions

Item # 00128A

STEP 14



STEP 15



Customer Service
1-800-933-0771
www.kidkraft.com

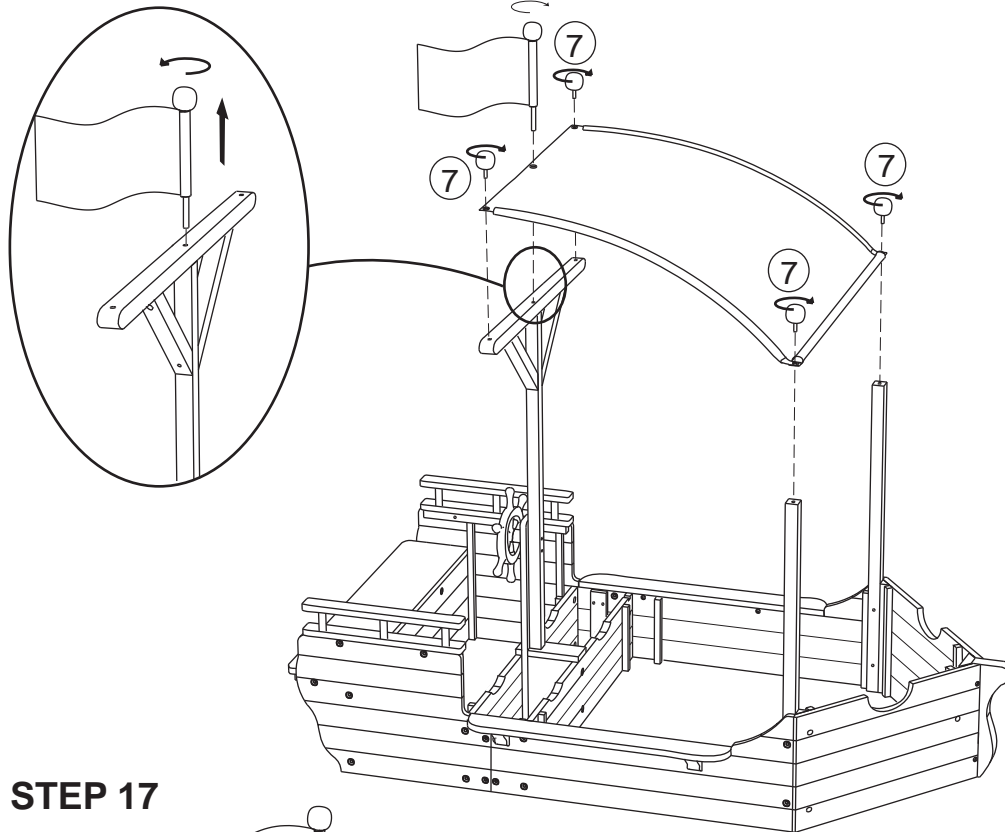
Pirate Sandboat

Assembly Instructions

Item # 00128A

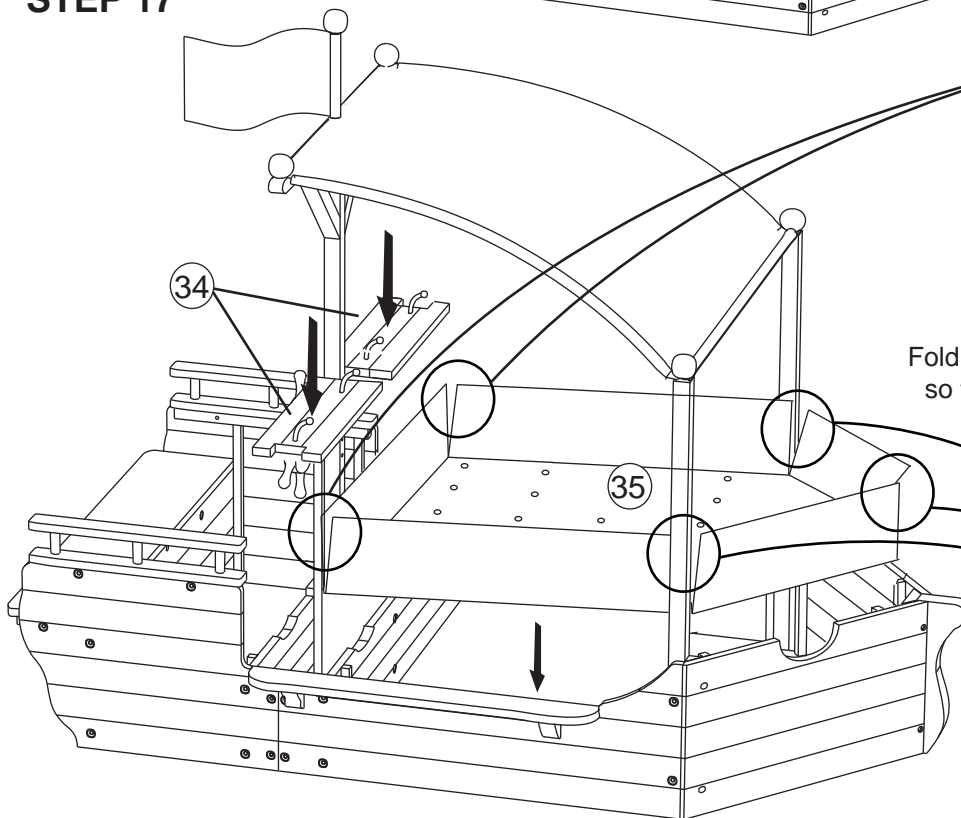
STEP 16

Screw red flag pole out for assembling blue canopy, then tighten it again.



Secure both corners of liner (part 35) with plastic strip (part 36).

STEP 17



Fold liner cover over so the holes align.

Secure both corners of liner (part 35) with plastic strip (part 36).

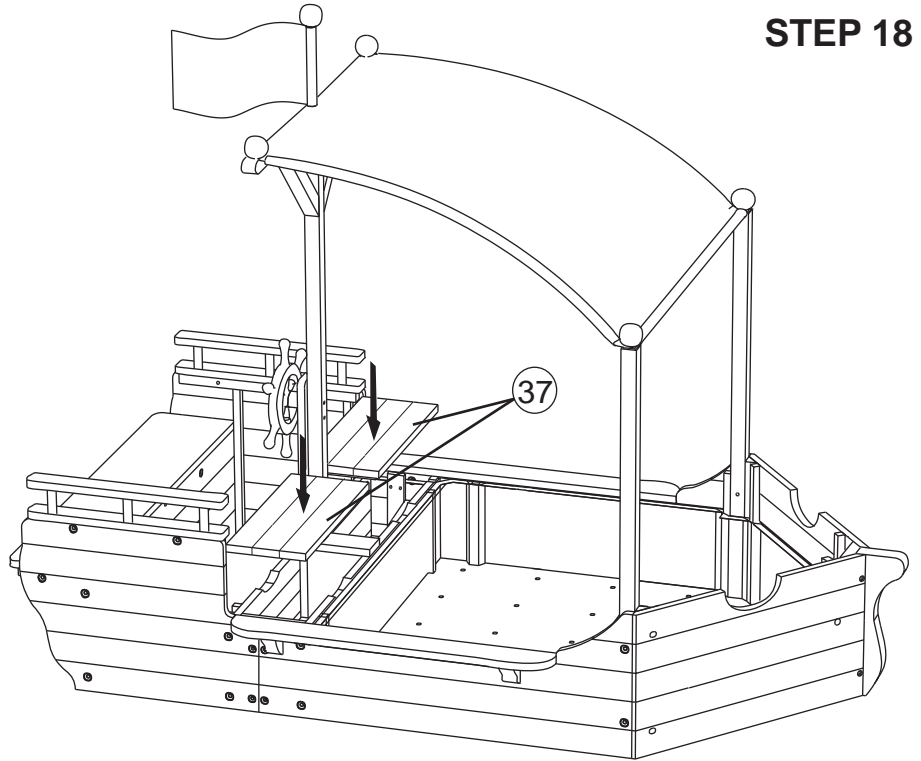
Customer Service
 1-800-933-0771
www.kidkraft.com

Pirate Sandboat

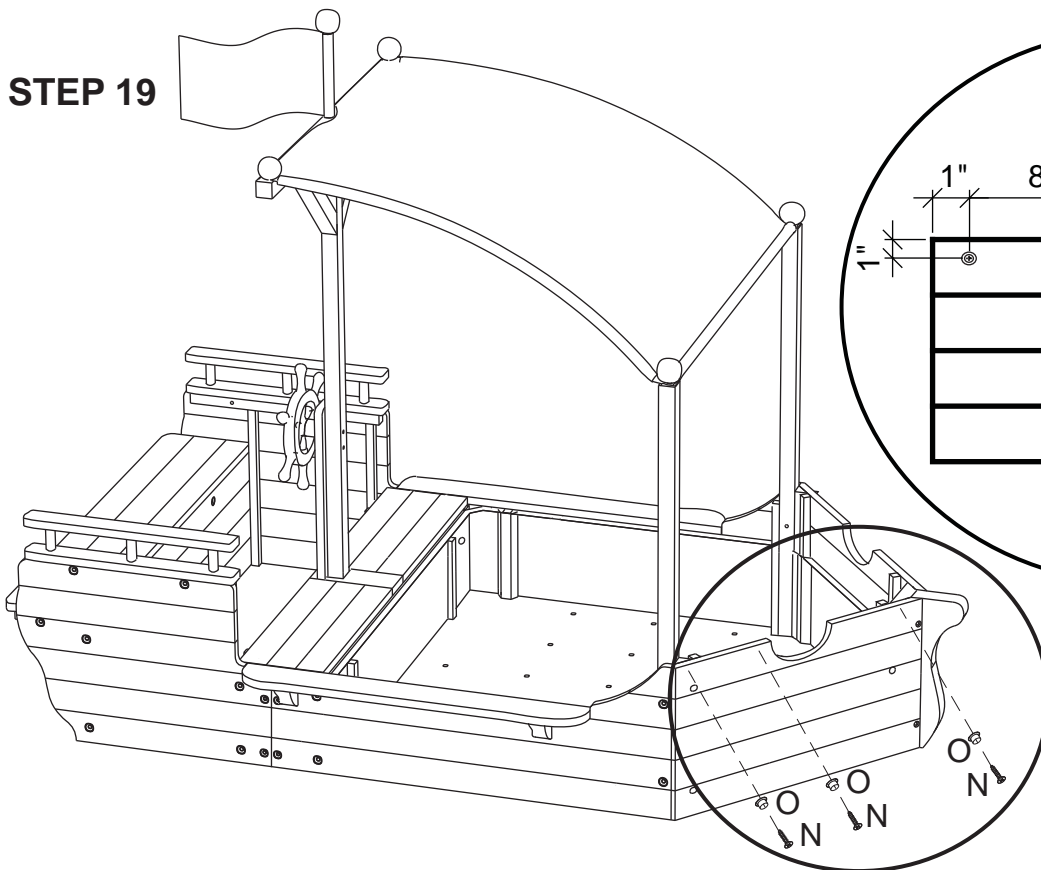
Assembly Instructions

Item # 00128A

STEP 18



STEP 19



Insert the wood screws as shown in the above picture. There are no holes, but you can use the listed measurements as a guide. Drilling should not be necessary.

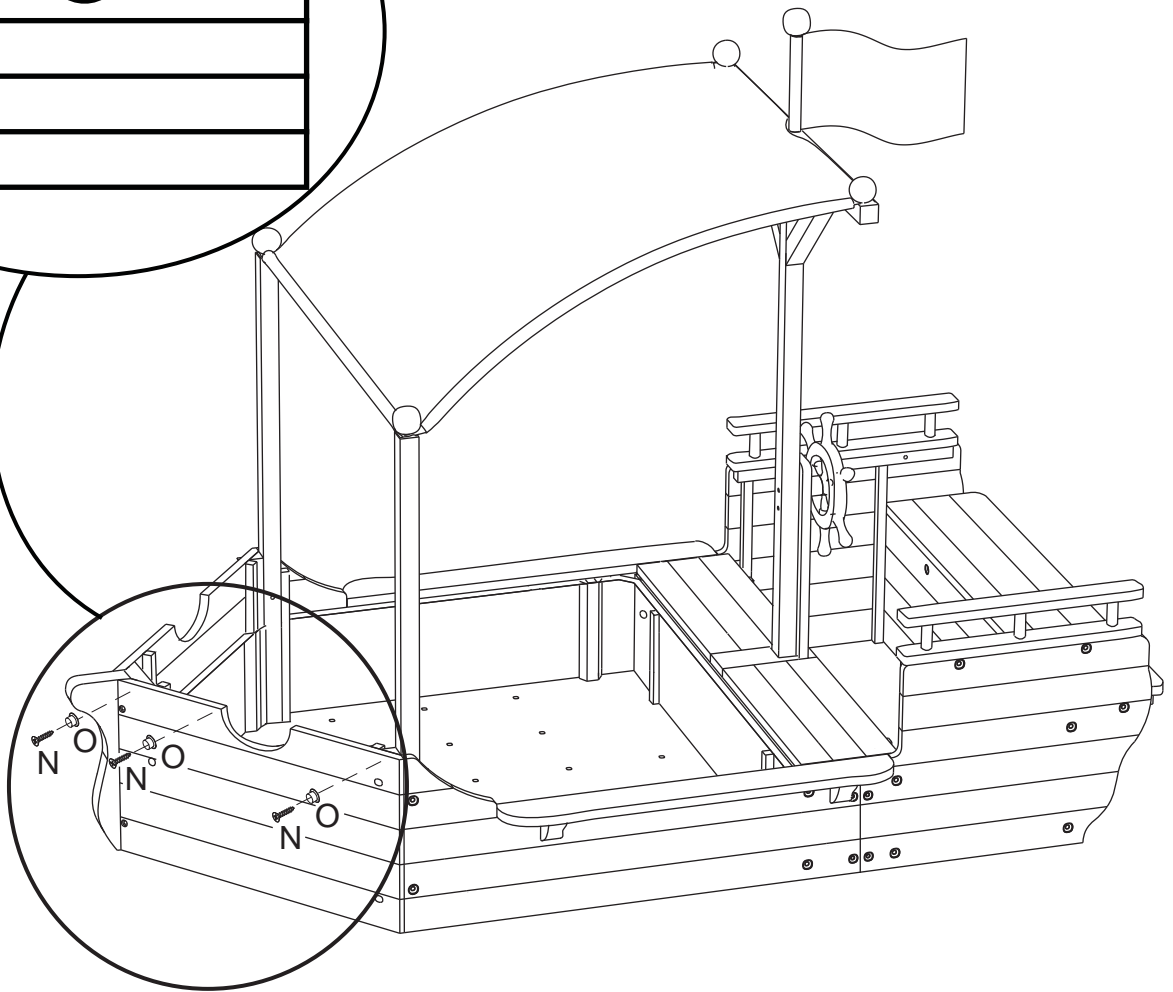
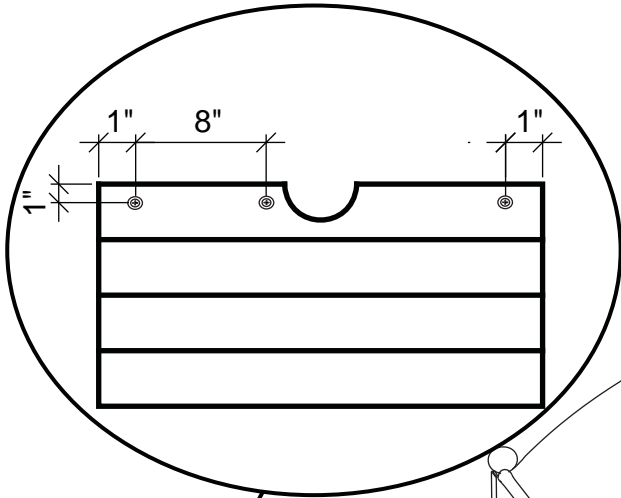
Pirate Sandboat

Assembly Instructions

Item # 00128A

STEP 20

Insert the wood screws as shown in the above picture. There are no holes, but you can use the listed measurements as a guide. Drilling should not be necessary.



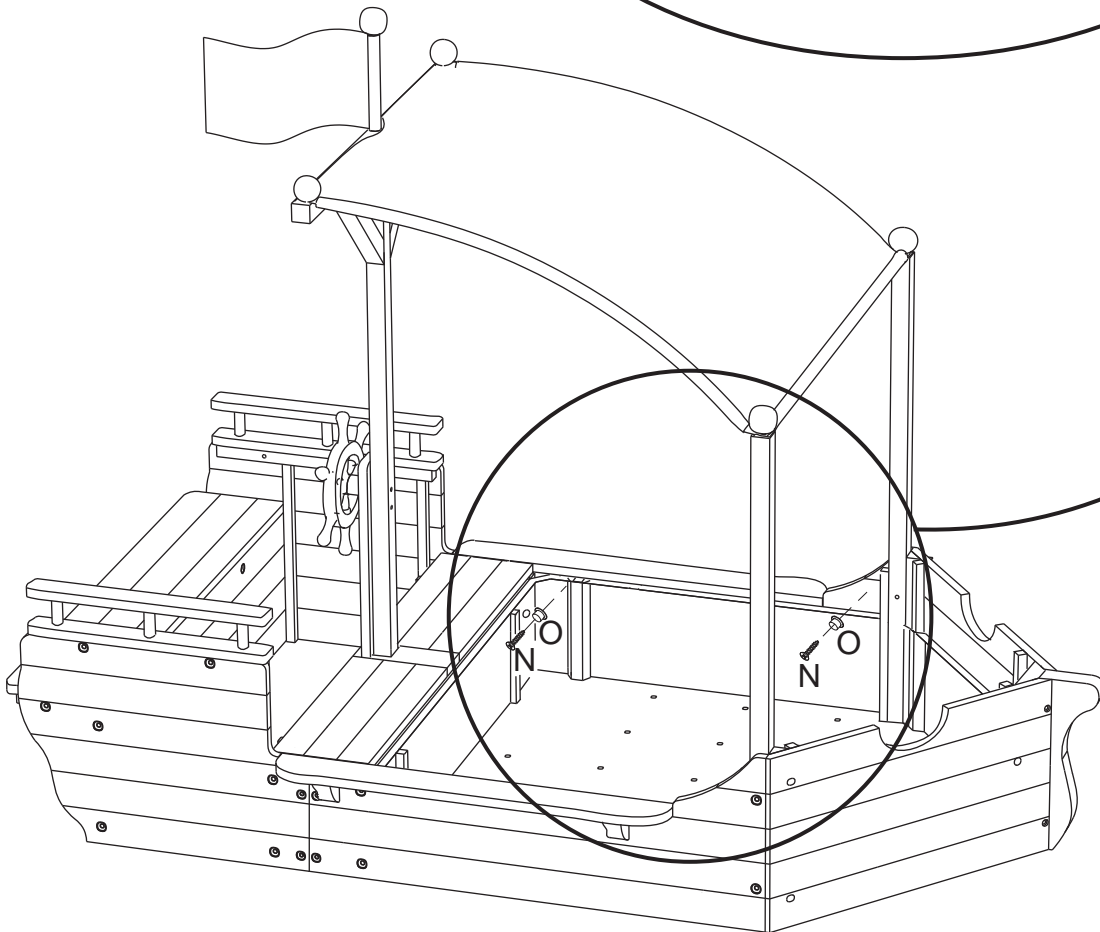
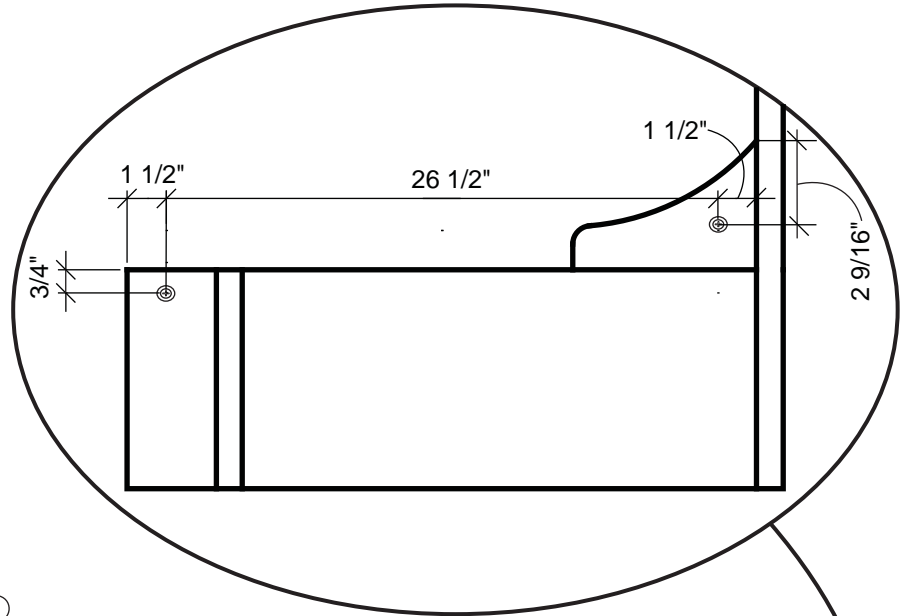
Pirate Sandboat

Assembly Instructions

Item # 00128A

STEP 21

Insert the wood screws as shown in the above picture. There are no holes, but you can use the listed measurements as a guide. Drilling should not be necessary.



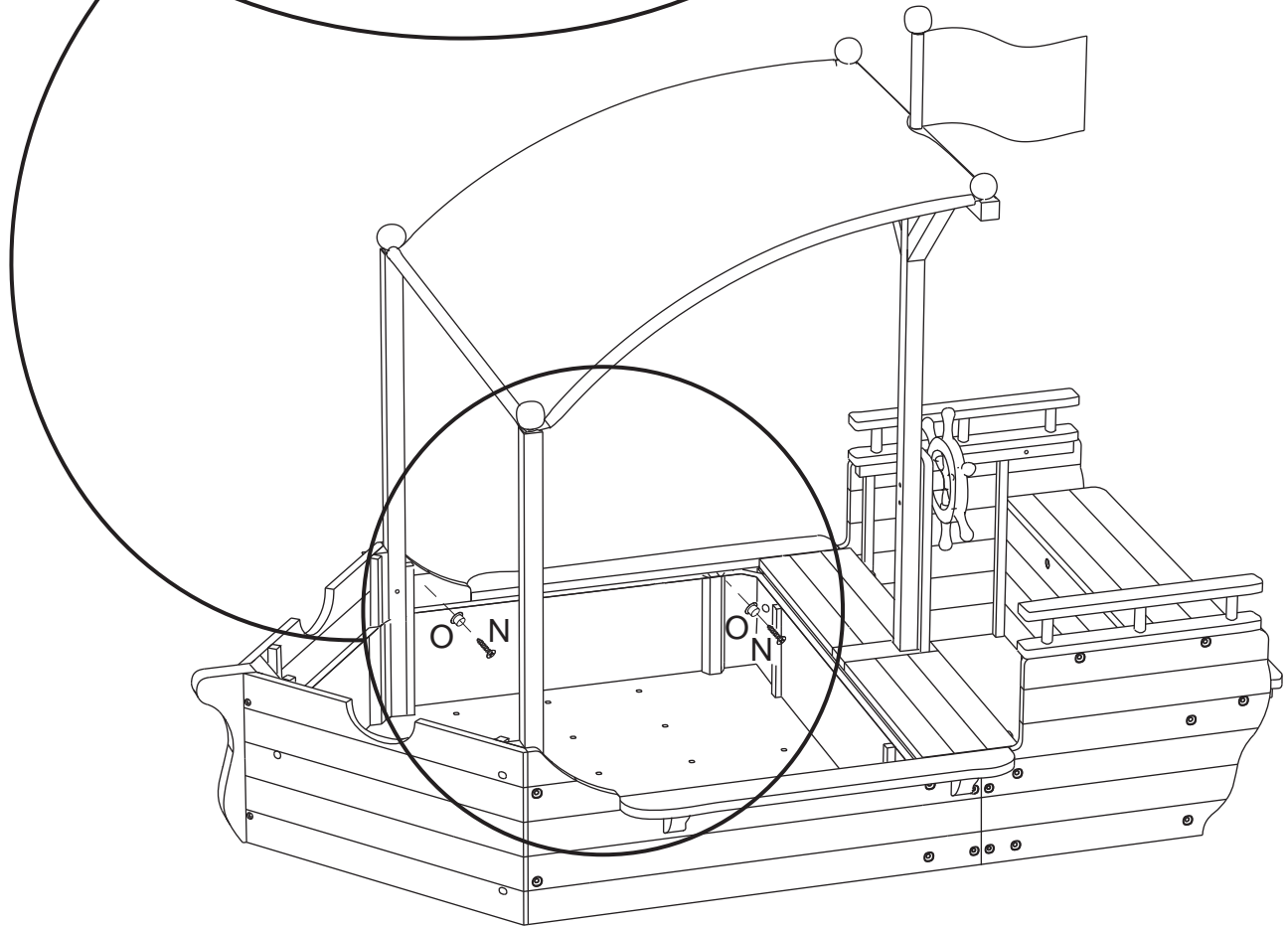
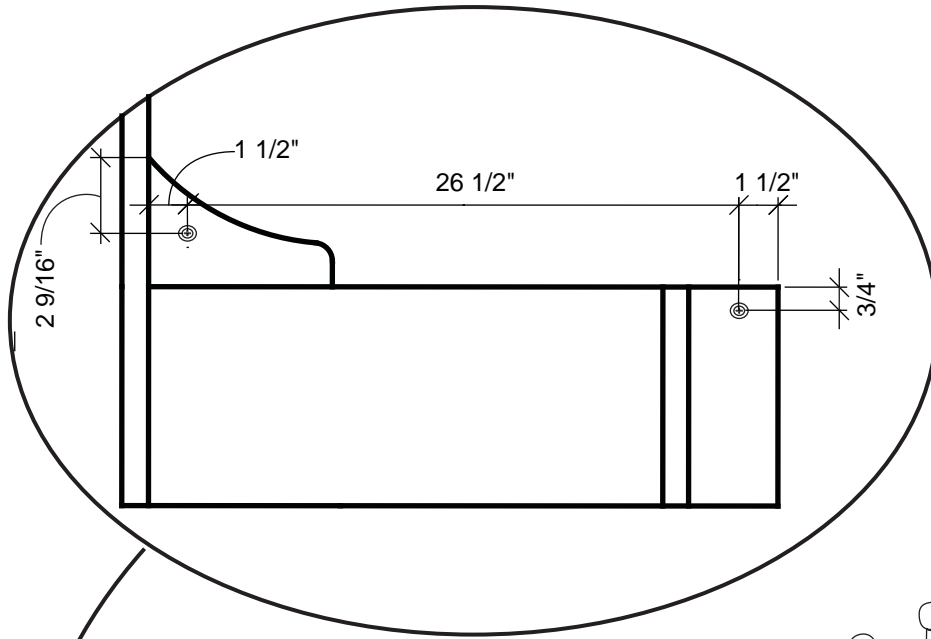
Pirate Sandboat

Assembly Instructions

Item # 00128A

STEP 22

Insert the wood screws as shown in the above picture. There are no holes, but you can use the listed measurements as a guide. Drilling should not be necessary.



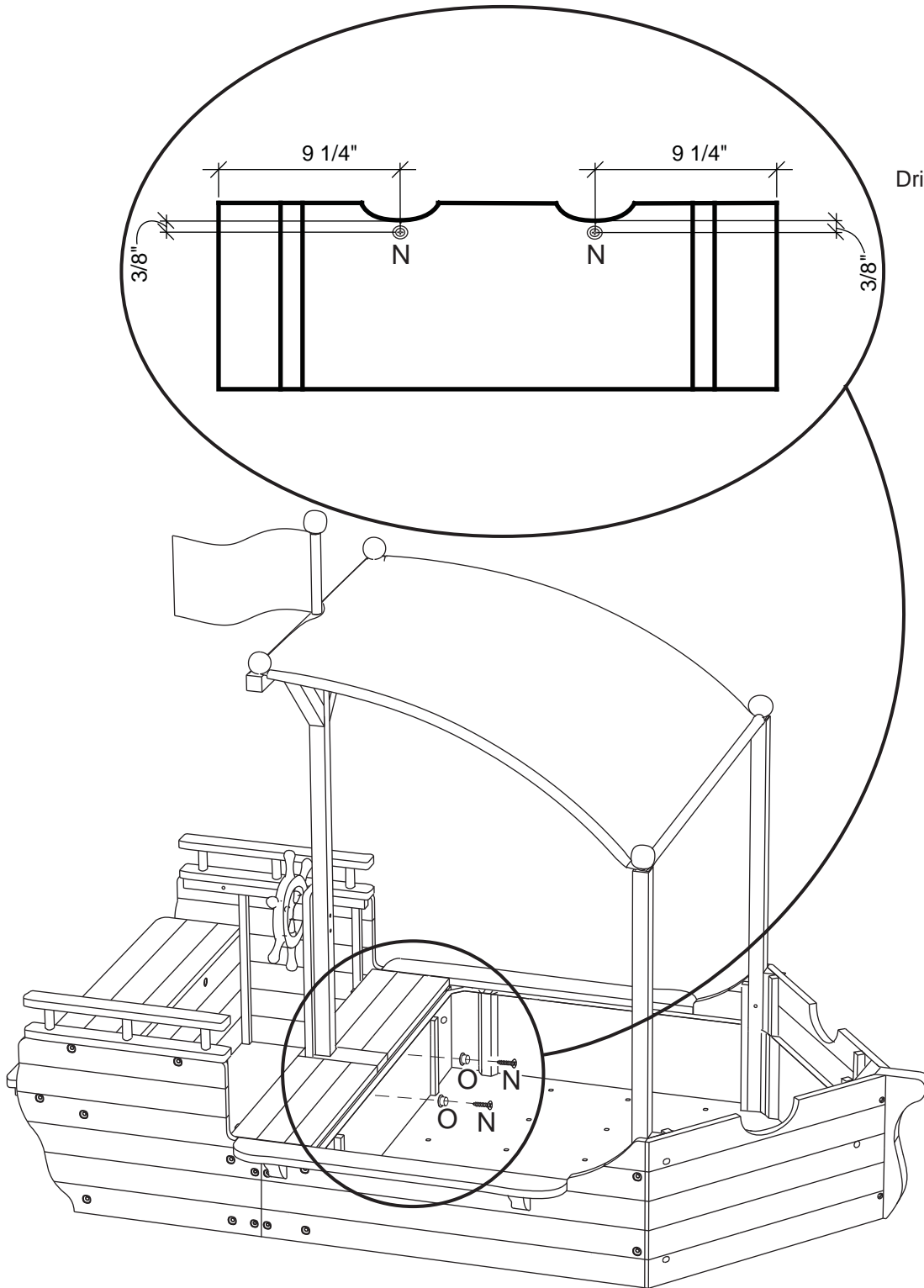
Pirate Sandboat

Assembly Instructions

Item # 00128A

STEP 23

Insert the wood screws as shown in the above picture. There are no holes, but you can use the listed measurements as a guide. Drilling should not be necessary.

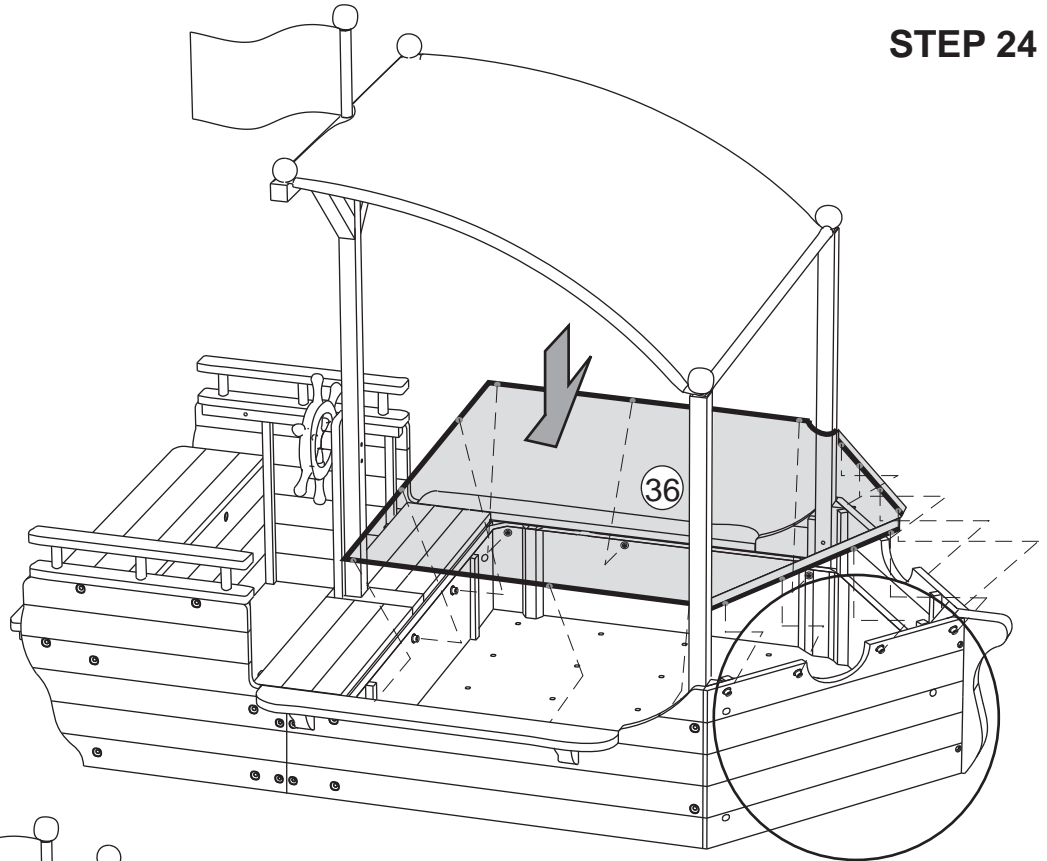


Pirate Sandboat

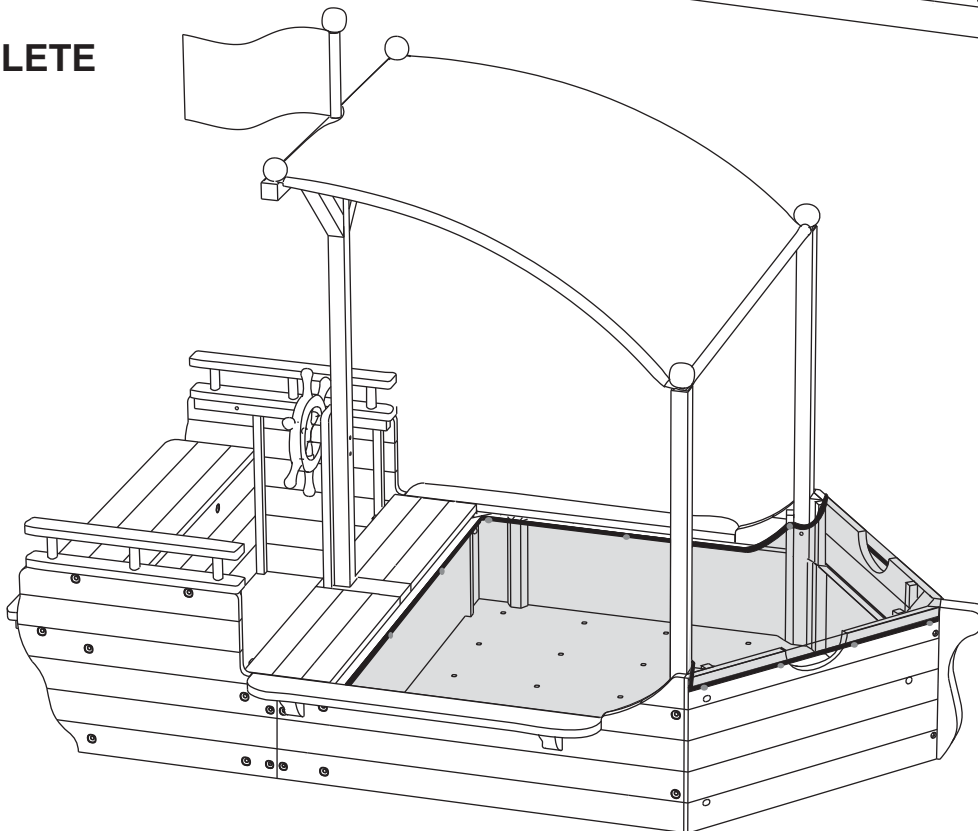
Assembly Instructions

Item # 00128A

STEP 24



COMPLETE



Snap mesh cover into place when not in use.



IMPORTANT SAFETY NOTICE

THIS PRODUCT IS INTENDED FOR THE USE AND ENJOYMENT OF CHILDREN BETWEEN THE AGES OF 3 AND 8 YEARS OLD. IT HAS BEEN SPECIFICALLY DESIGNED AND TESTED FOR USE BY CHILDREN OF THAT AGE RANGE. PARENTAL SUPERVISION AND INSPECTION IS ALWAYS REQUIRED TO PREVENT INJURY AND MISUSE OR DEGRADATION OF THE PRODUCT, REGARDLESS OF THE AGE OF THE CHILD. USE OF THE PRODUCT BY PERSONS OTHER THAN CHILDREN OF THE INTENDED AGE MAY RESULT IN INJURY TO THE USER OR BYSTANDER OR BREAKAGE OF THE SANDBOAT. CONTINUED PARENTAL SUPERVISION AND INSPECTION IS VITAL TO THE SAFE USE OF THE PRODUCT AS PARTS MAY BREAK OFF OR COME LOOSE OVER TIME AND DURING USE, AND SHARP EDGES MAY RESULT FROM MISUSE, HEAVY USE, AGE OF THE PRODUCT, OR THE ENVIRONMENT, INCLUDING RECURRING HEAT, COLD AND WATER. TO SAFEGUARD THE CHILD AND PROLONG THE SAFE LIFE OF THE PRODUCT, FOLLOW THE ENCLOSED ASSEMBLY AND MAINTENANCE INSTRUCTIONS CAREFULLY AND HONOR ALL WARNINGS. INSPECT FOR LOOSE, UNSTABLE, SHARP AND BROKEN PARTS FREQUENTLY. DO NOT PERMIT CHILDREN TO CLIMB OR JUMP OFF UNIT. SHOULD YOU HAVE ANY QUESTIONS OR CONCERNS, CONTACT KIDKRAFT CUSTOMER SERVICE AT 1-800-933-0771. REPLACEMENT PARTS MAY BE AVAILABLE FREE OF CHARGE.

MAINTENANCE

THIS IS AN OUTDOOR WOOD PRODUCT THAT NATURALLY WEATHERS WITH AGE. TO ENSURE OPTIMAL, LONG-TERM DURABILITY AND FUN, TREATMENT WITH AN OIL-BASED OUTDOOR WOOD SEALER IS REQUIRED. WOOD SEALER CAN BE PURCHASED AT YOUR LOCAL HARDWARE STORE, AND SHOULD BE APPLIED AT FIRST SIGNS OF WEATHERING.

IF YOU HAVE ANY QUESTIONS REGARDING MAINTENANCE AND CARE OF YOUR PRODUCT, PLEASE FEEL FREE TO CALL US AT 1-800-933-0771.

TO PROLONG THE LIFE OF YOUR OUTDOOR ITEM, PLEASE STORE OUT OF DIRECT SUNLIGHT OR EXPOSURE TO EXTREME WEATHER.

SOLE AND LIMITED WARRANTY

THIS PRODUCT IS WARRANTED SOLELY AGAINST MANUFACTURING DEFECTS FOR A PERIOD OF 90 DAYS FROM THE DATE OF PURCHASE, WHICH RUNS ONLY TO THE ORIGINAL USER OF THE PRODUCT. IN THE EVENT OF A MANUFACTURING DEFECT, PARTS WILL BE REPLACED OR THE ENTIRE PRODUCT WILL BE REPLACED OR THE PURCHASE PRICE WILL BE REFUNDED, AT THE ELECTION OF THE MANUFACTURER. TO ACTIVATE AND PROTECT THIS WARRANTY, PRESERVE EVIDENCE OF ORIGINAL PURCHASE AND CAREFULLY INSPECT THE CONDITION OF THE PRODUCT PRIOR TO AND AFTER ASSEMBLY, LOOKING FOR MISSING, DEGRADED, BROKEN, IMPROPERLY SIZED OR HAZARDOUS PARTS, INCLUDING PARTS WHICH CAN BE SWALLOWED BY A CHILD, CAUSE A CHILD TO CHOKE, OR OTHERWISE CAUSE INJURY. SUCH PARTS MAY INCLUDE LOOSE SCREWS, EXPOSED NAILS OR SHARP EDGES. SHOULD YOU OBSERVE ANY DEFECTS, DO NOT USE THE PRODUCT AND IMMEDIATELY NOTIFY THE MANUFACTURER. FAILURE TO DO SO SHALL CONSTITUTE MISUSE. MISUSE, IMPROPER ASSEMBLY, FAILURE TO HONOR A WARNING, FAILURE TO SUPERVISE, INSPECT OR MAINTAIN THE PRODUCT, OR DAMAGE TO THE PRODUCT, WHETHER INTENTIONAL OR INADVERTENT, SHALL INVALIDATE THIS WARRANTY. THIS WARRANTY GIVES YOU SPECIFIC LEGAL RIGHTS, AND YOU MAY ALSO HAVE OTHER RIGHTS WHICH VARY FROM STATE TO STATE.

TO SUBMIT A WARRANTY CLAIM PLEASE CONTACT KIDKRAFT CUSTOMER SERVICE AT 1-800-933-0771 FOR INSTRUCTIONS ON HOW TO PROVIDE PROOF OF PURCHASE AND HOW TO RETURN THE ITEM FREIGHT PRE-PAID.

CUSTOMER SERVICE 1-800-933-0771
www.kidkraft.com