

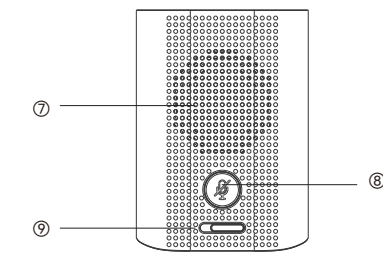
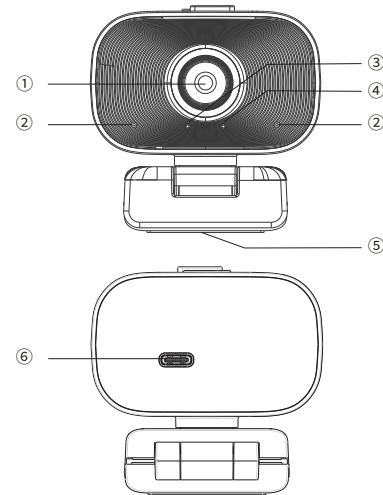
H721C多合一网络摄像头

使用说明书V1.2



感谢您选择我们最新款的摄像头！这是一款通过USB传输到电脑使用的摄像头，它具有分辨率高、传输速率快、外形美观、携带方便等优点。它可以很好地解决线上视频办公需求，也可以让您在网上与家人和朋友分享快乐！

产品简介



- ①全高清1080P镜头
- ②双数字麦克风
- ③图像指示灯
- ④静音指示灯
- ⑤三脚架螺孔
- ⑥Type-C接口
- ⑦扬声器
- ⑧麦克风静音键
- ⑨隐私保护开关

包装内容物

打开包装时，请检查并确认所有应提供的附件

- ①摄像头 ②遥控器 ③USB2.0线 ④使用说明书

产品参数

型号	H721C
图像参数	全高清1080P/200万像素
帧率参数	30fps
视角大小	90°
图像焦距	50厘米到无限远
对焦类型	固定焦距
扬声器参数	5W
麦克风参数	双数字麦克风
拾音距离	增强拾音3-5米
隐私保护功能	内置隐私保护
降噪功能	支持AEC, AI降噪
线长	1.8±0.02M
协议	UVC, UAC
连接方式	免驱动,即插即用

产品说明

- 指示灯:
 - (1)图像指示灯: 出图状态亮蓝灯, 不出图像时, 蓝灯熄灭。
 - (2)静音指示灯: 静音状态亮红灯, 正常拾音红灯熄灭。
2. 麦克风静音键: 麦克风静音键按下, 麦克风停止或者启动拾音。

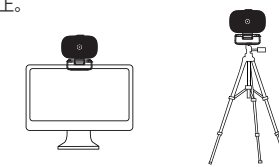
3. 接口: USB 2.0接口 X 1
4. 隐私保护开关: 内置隐私保护盖, 推动隐私保护开关, 可物理遮挡镜头, 保护隐私。

系统要求

Windows XP/ VISTA/ Win7/ Win8/ Win10/ Win11
Linux 2.6.24 and above
Ubuntu 14.04 and above
Mac OS 10.6 and above

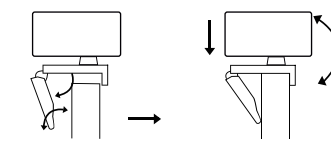
产品安装说明

1. 放置摄像头
把摄像头放在您想要的地方——电脑显示器上、桌面上或三脚架上。



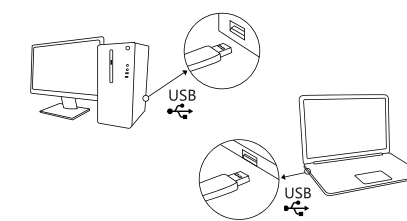
注: 本产品不包含三脚架, 如需要请另行购买。

当放置在显示器上时:
打开摄像头安装夹, 按照图中所示步骤和方法将摄像头置于显示屏上方, 请确保摄像头牢固安装。



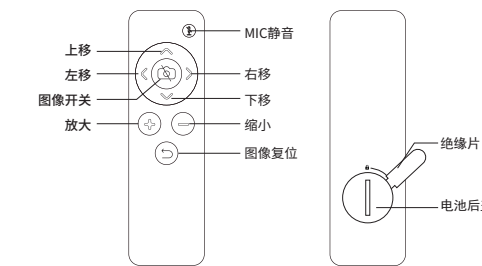
2. 连接摄像头

通过USB接口将摄像头连接到电脑。
温馨提示: 使用台式机时, 最好将摄像头连接到电脑背面的USB接口, 供电更稳定。



3. 安装完成后, 可以开始使用

遥控器按键及功能说明



1. 首次使用遥控器, 请将电池后盖位置上的绝缘片取出
2. 图像放大后才可以使左移、右移、上移、下移功能
3. 使用遥控器时, 遥控器前端应正对摄像头镜头面

注意事项

1. 不要在炎热、寒冷、多尘或潮湿的环境中使用。
2. 避免用手、尖锐或粗糙的东西触摸镜头, 请使用干净柔软的布进行清洁。
3. 尽量避免产品掉落, 严重跌落可能导致镜头损坏、故障或表面划伤。
4. 最大分辨率为1920*1080
5. 大部分第三方软件会根据网速自动调整分辨率

保修信息

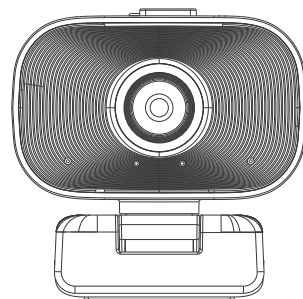
1. 如果发生以下情况, 本产品保修失效:
 - 人为的破坏。
 - 由其他公司技术人员修理或拆卸。
 - 因跌落或碰撞而造成的损坏。
2. 关于产品任何问题, 您都可以联系我们, 我们将为您提供最佳的解决方案。

(本手册包含的信息如有更改, 恕不事先通知。Windows是Microsoft集团公司的商标。Mac是Apple Inc. 在美国和其他国家注册的商标。)



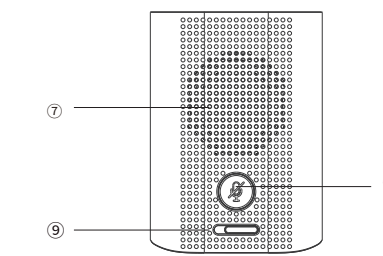
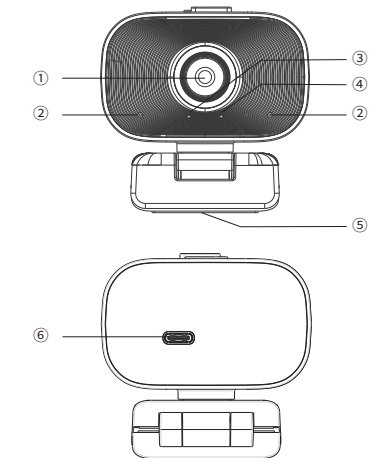
H721C all-in-one Webcam

User Manual V1.2



Thank you for choosing our latest webcam! It is transferred to your computer for use via USB. Its advantages are reflected in its high resolution, fast transmission rate, beautiful appearance, and easy to carry. It's a great solution for online video office requirements, and also allows you to share the fun with family and friends online!

Know Your Product



- ① Full HD 1080P lens
- ② Dual digital microphone
- ③ Image indicator
- ④ Mute indicator
- ⑤ Tripod screw hole
- ⑥ Type-C connector
- ⑦ Speaker
- ⑧ Microphone mute button
- ⑨ Privacy protection switch

Package Contents

When opening the package, please check and confirm all the accessories that should be provided.

- ① Webcam ② Remote control ③ USB2.0 cable ④ User manual

Product Parameters

Model	H721C
Picture Parameters	Full HD 1080P/2 mega pixels
Frame Rate	30fps
Field of View	90°
Image Focal Length	50cm to infinity
Focus Type	Fixed focus
Speaker Parameters	5W
Microphone	Dual digital microphones
Pickup Distance	Enhanced sound pickup 3-5m
Privacy Protection	Built-in slide privacy protection
Noise Reduction	Support AEC, AI noise reduction
Line Length	1.8±0.02M
Protocol	UVC, UAC
Connection	Driver-free, plug-and-play

Product Description

1. Indicator lights.
 - ① Image indicator: out of the picture state light blue, not out of the image, the blue light is off.
 - ② Mute indicator: the mute state lights up red, and the red light goes off when normal pickup.

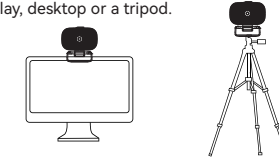
2. Mute switch button: Press to mute microphones, re-press to unmute (According to mute indicator status)
3. Port: USB 2.0 port.
4. Privacy protection cover: built-in privacy protection cover, push the built-in privacy protection switch, can physically block the lens to protect privacy.

System Requirements

Windows XP/ VISTA/ Win7/ Win8/ Win10/ Win11
Linux 2.6.24 and above
Ubuntu 14.04 and above
Mac OS 10.6 and above

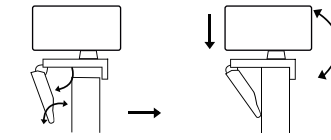
Product Installation Instructions

1. Place Your Webcam
Place the webcam where you want it - on a computer display, desktop or a tripod.



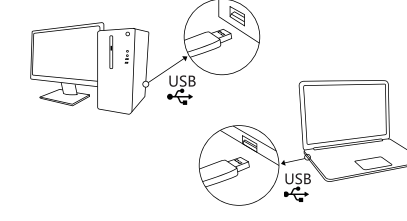
Note: This product does not contain tripod, please purchase if necessary.

For Placement on the Display:
Open the webcam clip, and follow the steps and methods show in the figure to place the webcam on top of the display, please make sure the clip is firmly mounted.



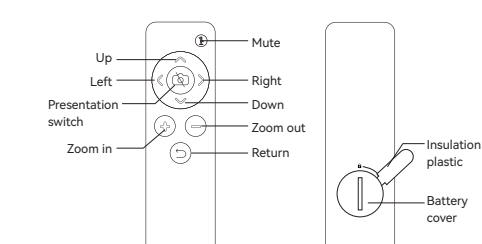
2. Connect the Webcam

Connect the camera to the computer via the USB interface.
Warm Tip: When using a desktop, it is better to connect the webcam to the USB interface on the back of the computer, The power supply is more stable.



3. When installation is finished, you can start using.

Remote diagram



1. There is a insulation plastic with battery, it need to be removed for first use.
2. The direction move function only work when the image under zoom-in
3. The front end of the remote control should face the camera front for use

Notice

1. Do not use it in hot, cold, dusty or humid circumstances.
2. Avoid touching the lens with hands, sharp or coarse stuff; please use clean and soft cloth for cleaning.
3. Avoid falling as much as possible. Severe falling may cause damages to the lens, malfunction or scratches to the surface.
4. The maximum resolution is 1920*1080.
5. Most third-party software will automatically adjust the resolution according to the network speed

Warranty

1. This product is warranted by non-human factors. What the warranty does not cover:
 - Man-made damage.
 - Repair or disassembled by other company's technicians.
 - Damage due to dropping or impact.
2. Any problems, you can contact the seller to get the best solutions.

(Information contained herein is subject to change without notice. Windows is a trademark of the Microsoft group of companies. Mac is a trademark of Apple, Inc., registered in the U. S. and other countries.)