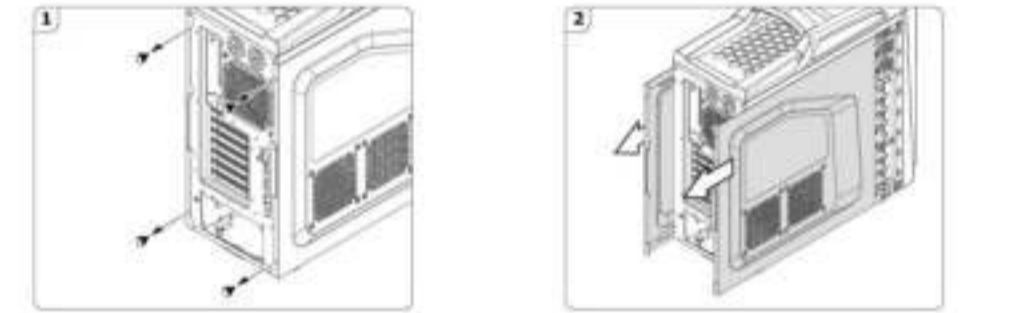


Installation Guide / 安装说明



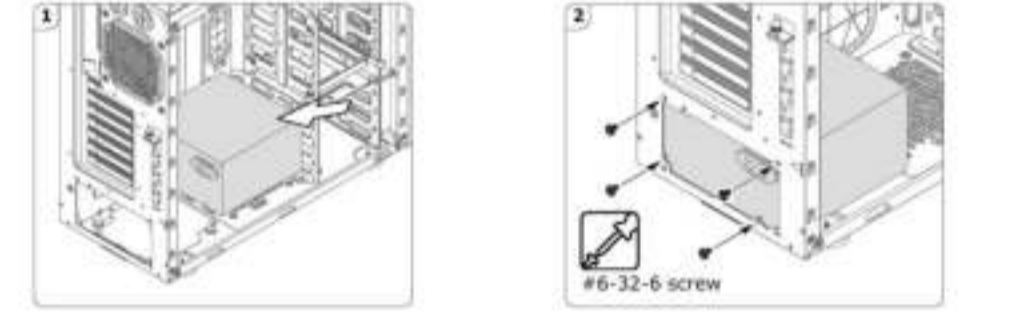
2.1
EN: How to remove the side panel
AR: كيفية إزالة الجانب الجانبي
BG: Как се отстранява страничният панел
CHS: 拆下侧板
CHT: 拆下侧板
CS: Jak odstranit postranní kryt
DE: So entfernen Sie die Seitenplatte
EL: Πως να αφαιρέσετε τον πλευρικό πίνακα
ES: Cómo quitar el panel lateral
FR: Comment retirer le panneau latéral

HU: Oldalról panel eltávolítása
IT: Come rimuovere il pannello laterale
JA: サイドパネルの取り外し方
KR: 사이드 패널 제거 방법
KZ: Бүйір жағынан қалы алу керек
NL: Verwijderen van het zijpaneel
PL: Jak zdjąć boczny pokryw
PT: Como remover o painel lateral
RU: Как снять боковую панель
SR: Kako da uklonite bočnu ploču
TR: Yan paneli kaldırma



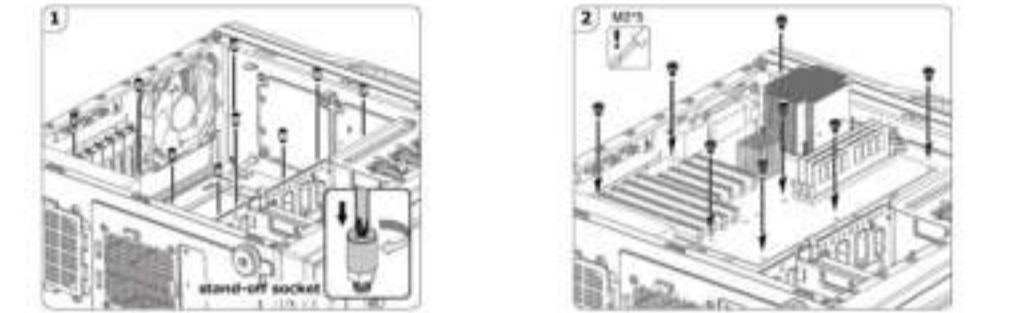
2.2
EN: How to install the power supply
AR: كيفية تركيب وحدة الطاقة
BG: Как се поставя захранващата връзка
CHS: 安装电源
CHT: 安裝電源
CS: Jak instalovat zdroj napájení
DE: So installieren Sie das Netzteil
EL: Πως να εγκαταστήσετε τη τροφοδοσία
ES: Cómo instalar la fuente de alimentación
FR: Comment installer l'unité d'alimentation

HU: Tápellátás bekötése
IT: Come installare l'alimentatore
JA: 電源の取り付け方
KR: 파워 서플라이 설치 방법
KZ: Қуат көзі бағалын қалай орнату керек
NL: Installeren van de voeding
PL: Jak podłączyć zasilacz
PT: Como instalar a fonte de alimentação
RU: Как установить блок питания
SR: Kako da instalirate napajanje
TR: Güç kaynağını kurma



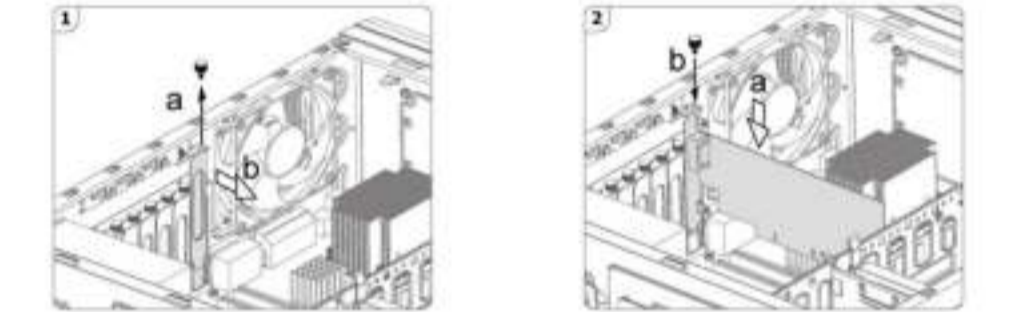
2.3
EN: How to install the motherboard
AR: كيفية تركيب اللوحة الأم
BG: Как се инсталира дъщерната платка
CHS: 安装主板
CHT: 安裝主機板
CS: Jak namontovat motherboard
DE: So installieren Sie das Motherboard
EL: Πως να εγκαταστήσετε τη Μητρική μονάδα
ES: Cómo instalar la placa base
FR: Comment installer la carte mère

HU: Alaplap összerakítása
IT: Come installare la motherboard
JA: マザーボードの取り付け方
KR: 마더보드 설치 방법
KZ: Аялық платаны қалай орнату керек
NL: Installeren van het moederbord
PL: Jak zamontować płytę główną
PT: Como instalar a placa-mãe
RU: Как установить материнскую плату
SR: Kako da instalirate matičnu ploču
TR: Anakartı kurma



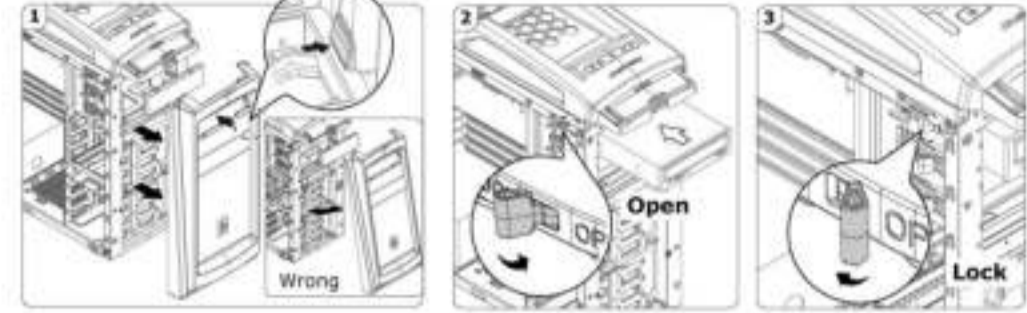
2.4
EN: How to install the add-on cards
AR: كيفية تركيب البطاقات الإضافية
BG: Как се инсталират допълнителните платки
CHS: 安装显卡
CHT: 安裝顯示卡
CS: Jak namontovat přídatné karty
DE: So installieren Sie Erweiterungskarten
EL: Πως να εγκαταστήσετε τις πρόσθετες κάρτες
ES: Cómo instalar tarjetas adicionales
FR: Comment installer les cartes supplémentaires

HU: Add-on kártyák beszerelése
IT: Come installare le schede aggiuntive
JA: アドオンカードの取り付け方
KR: 애드 온 카드 설치 방법
KZ: Қосымша карталарын қалай орнату керек
NL: Installeren van de uitbreidings kaarten
PL: Jak podłączyć karty rozszerzeń
PT: Como instalar as placas adicionais
RU: Как установить карты расширения
SR: Kako da instalirate dodatne kartice
TR: Eklenk kartlarını kurma



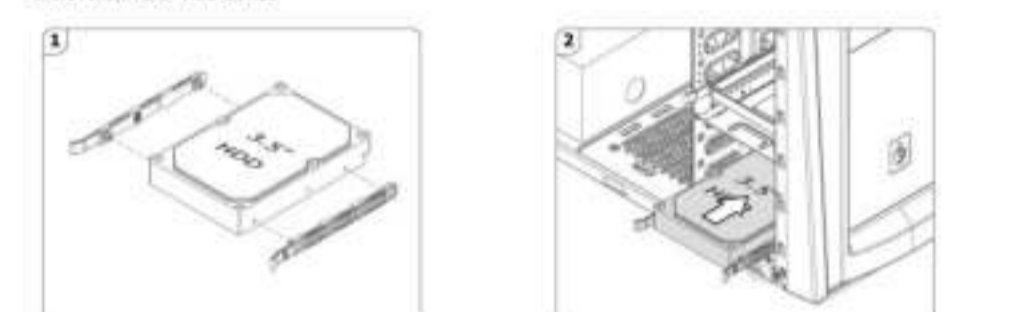
2.5
EN: How to install the 5.25" and 3.5" devices
AR: كيفية تركيب الأجهزة 5.25" و 3.5"
BG: Как се инсталират 5.25" и 3.5" устройствата
CHS: 安装光驱和软驱
CHT: 安裝光碟機和磁碟機
CS: Jak namontovat zařízení 5.25" a 3.5"
DE: So installieren Sie 5.25"- und 3.5"-Geräte
EL: Πως να εγκαταστήσετε τις άλλες προθήκες
ES: Cómo instalar tarjetas adicionales
FR: Comment installer les cartes supplémentaires

HU: 5.25" és 3.5" eszközök beszerelése
IT: Come installare le unità da 5.25" e da 3.5"
JA: 5.25インチ及び3.5インチドライブの取り付け方
KR: 5.25" 3.5" 장치 설치 방법
KZ: 5.25"/3.5" құрылғысын қалай орнату керек
NL: Installeren van de 5.25" en 3.5" apparaten
PL: Jak zamontować urządzenia 5.25" i 3.5"
PT: Como instalar os dispositivos 5.25" e 3.5 pol
RU: Как установить устройства 5,25" и 3,5"
SR: Kako da instalirate dodatne uređaje
TR: 5,25" ve 3,5" aygıtları kurma



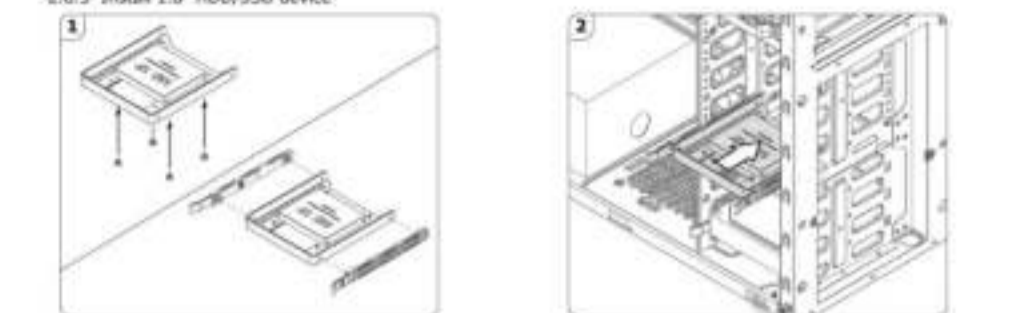
2.6
EN: How to install the hard disk drive
AR: كيفية تركيب القرص الصلب 3.5"
BG: Как се инсталира твърдият диск
CHS: 安装硬盘
CHT: 安裝硬碟
CS: Jak namontovat pevný disk
DE: So installieren Sie die Festplatte
EL: Πως να εγκαταστήσετε τη μονάδα σκληρού δίσκου
ES: Cómo instalar la unidad de disco duro
FR: Comment installer le lecteur de disque dur

HU: Merevezem-meghajtó beszerelése
IT: Come installare il disco rigido
JA: ハードディスクドライブの取り付け方
KR: 하드 디스크 드라이브 설치 방법
KZ: Катуық дискіні қалай орнату керек
NL: Installeren van de harde schijf
PL: Jak zamontować dysk twardey
PT: Como instalar o drive do disco rígido
RU: Как установить жесткий диск
SR: Kako da instalirate čvrsti disk
TR: Sabit disk sürücüsünü kurma



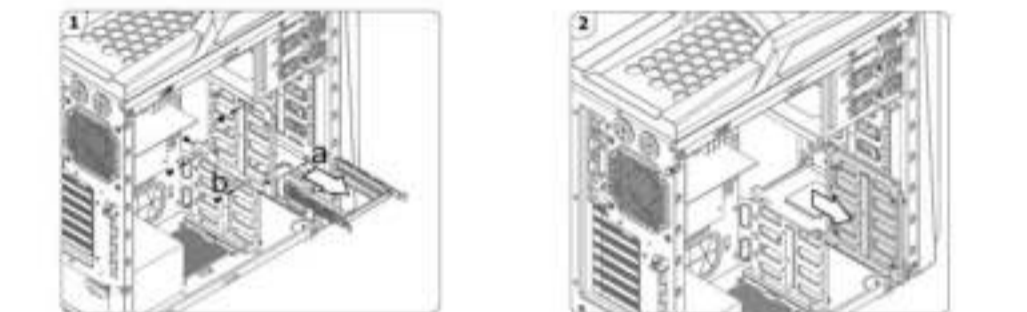
2.6.2 Install 2.5" HDD/SSD device
EN: How to install the 2.5" HDD/SSD device
AR: كيفية تركيب القرص الصلب 2.5"
BG: Как се инсталират 2.5" HDD/SSD устройствата
CHS: 安装2.5英寸HDD/SSD
CHT: 安裝2.5英寸HDD/SSD
CS: Jak namontovat 2.5" HDD/SSD
DE: So installieren Sie 2.5" HDD/SSD
EL: Πως να εγκαταστήσετε τη μονάδα 2.5" HDD/SSD
ES: Cómo instalar unidades de 2.5"
FR: Comment installer les unités de 2.5"

HU: 2.5" HDD/SSD eszközök beszerelése
IT: Come installare il disco 2.5"
JA: 2.5インチHDD/SSDの取り付け方
KR: 2.5" HDD/SSD 장치 설치 방법
KZ: 2.5" HDD/SSD құрылғысын қалай орнату керек
NL: Installeren van de 2.5" HDD/SSD apparaten
PL: Jak zamontować urządzenia 2.5" i 3.5"
PT: Como instalar os dispositivos 2.5" e 3.5 pol
RU: Как установить устройства 2,5" и 3,5"
SR: Kako da instalirate dodatne uređaje
TR: 2,5" ve 3,5" aygıtları kurma



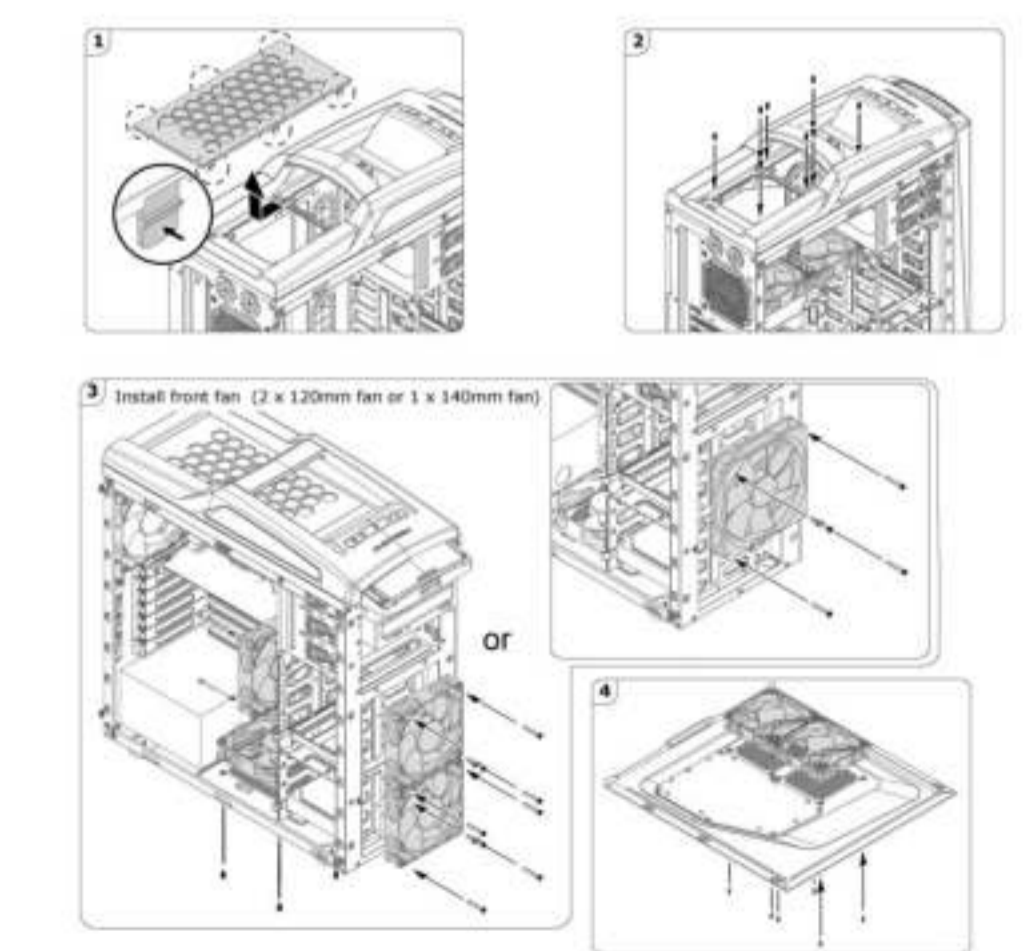
2.6.3 Install 1.8" HDD/SSD device
EN: How to install the 1.8" HDD/SSD device
AR: كيفية تركيب القرص الصلب 1.8"
BG: Как се инсталират 1.8" HDD/SSD устройствата
CHS: 安装1.8英寸HDD/SSD
CHT: 安裝1.8英寸HDD/SSD
CS: Jak namontovat 1.8" HDD/SSD
DE: So installieren Sie 1.8" HDD/SSD
EL: Πως να εγκαταστήσετε τη μονάδα 1.8" HDD/SSD
ES: Cómo instalar unidades de 1.8"
FR: Comment installer les unités de 1.8"

HU: 1.8" HDD/SSD eszközök beszerelése
IT: Come installare il disco 1.8"
JA: 1.8インチHDD/SSDの取り付け方
KR: 1.8" HDD/SSD 장치 설치 방법
KZ: 1.8" HDD/SSD құрылғысын қалай орнату керек
NL: Installeren van de 1.8" HDD/SSD apparaten
PL: Jak zamontować urządzenia 1.8" i 3.5"
PT: Como instalar os dispositivos 1.8" e 3.5 pol
RU: Как установить устройства 1,8" и 3,5"
SR: Kako da instalirate dodatne uređaje
TR: 1,8" ve 3,5" aygıtları kurma



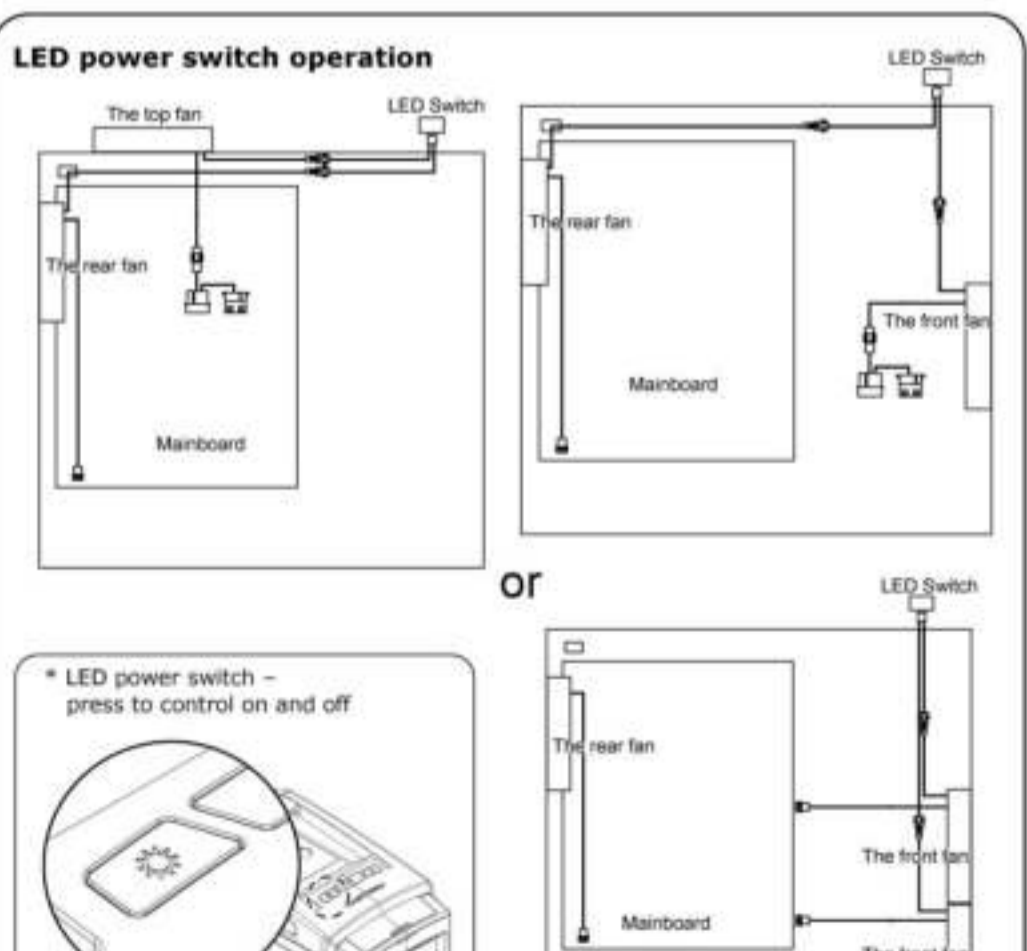
2.8
EN: How to install or replace case fans
AR: كيفية تركيب أو استبدال مروحة حاوية الكمبيوتر
BG: Как се инсталират или заменят вентилаторите на кутията
CHS: 安装和更换机箱风扇
CHT: 安裝和更換機箱風扇
CS: Jak namontovat či vyměnit větráky
DE: So installieren Sie Gehäuselüfter oder tauschen sie aus
EL: Πως να εγκαταστήσετε ή να αντικαταστήσετε τους ανεμιστήρες του περιβλήματος
ES: Cómo instalar o reemplazar los ventiladores de la carcasa
FR: Comment installer ou remplacer les ventilateurs du boîtier

HU: Ventilátorok szerelése vagy cseréje
IT: Come installare o sostituire le ventole del case
JA: ケースファンを取り付けと交換方法
KR: 케이스 팬 설치 또는 제거하는 방법
KZ: Қауыпты желдеткіштерді қалай орнату керек
NL: Installeren of vervangen van de case fans
PL: Jak zamontować lub wymienić wentylatory w obudowie
PT: Como instalar ou substituir ventoinhas da caixa
RU: Как установить или заменить корпусные вентиляторы
SR: Kako da instalirate ventilatore u kućište i da ih menjate
TR: Kasa fanlarını kurma veya değiştirme

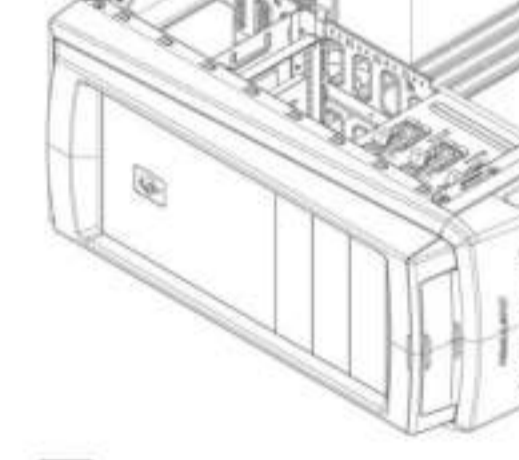
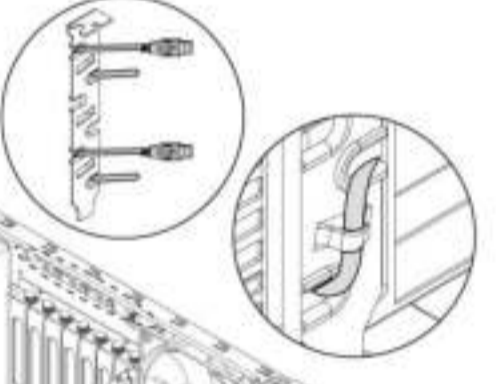


2.9
EN: LED switch operation
AR: كيفية تشغيل مؤشر الـ LED
BG: Светодиод за действие на светодиода
CHS: LED控制面操作说明
CHT: LED控制面操作說明
CS: Funkce spínače kontroly
DE: LED-Schalterbetrieb
EL: Λειτουργία διακόπτη LED
ES: Operación del interruptor LED
FR: Comment opérer le bouton LED

HU: LED kapcsoló működése
IT: Funzionamento interruttore LED
JA: LEDスイッチの使い方
KR: LED 작동 스위치
KZ: LED жарықын іосы және бақылау сабағы
NL: Werking van de LED-schakelaar
PL: Działanie przełącznika LED
PT: Operação com interruptor com LED
RU: Схема включения и управления LED подсветкой
SR: Funkcija LED prekidača
TR: LED svíc çalışması



3.0
EN: StormGuard™ - security bracket
AR: كيفية تركيب StormGuard™ - قوس الحماية
BG: Как се инсталира StormGuard™ - скоба за сигурност
CHS: 安装 StormGuard™ - 安全支架
CHT: 安裝 StormGuard™ - 安全支架
CS: Jak namontovat StormGuard™ - zábrana
DE: So installieren Sie StormGuard™ - Sicherheitsklammer
EL: Πως να εγκαταστήσετε τη StormGuard™ - αμυντική αγκύρα
ES: Cómo instalar el StormGuard™ - soporte de seguridad
FR: Comment installer le StormGuard™ - support de sécurité



Cooler Master Products Limited Warranty
This document describes the warranty terms for all Cooler Master product sold in Australia.
For Australia only:
Our goods come with guarantees that cannot be excluded under the Australian Consumer Law. You are entitled to a replacement or refund for a major failure and for compensation for any other reasonably foreseeable loss or damage. You are also entitled to have the goods repaired or replaced if the goods fail to be of acceptable quality and the failure does not amount to a major failure. (Cooler Master Co., Ltd. 9F, No.786, Zhongzheng Rd., Zhonghe Dist., New Taipei City 235, Taiwan R.O.C.)
Telephone: +886-2-3234-0050 (standard international call charges apply.)
Who the Warranty Protects:
This warranty is valid to the original purchaser only.
What the warranty protects:
This warranty is valid only for the Cooler Master Products distributed by authorized dealer(s) in Australia. Please contact Cooler Master for warranty information and service:
● Cooler Master Pty Ltd., 9F, No.786, Zhongzheng Rd., Zhonghe Dist., New Taipei City 235, Taiwan R.O.C.
● E-mail Support: service@coolermaster.com.tw
● Online live chat support: www.cooler-master.com/livesupport
● Customer service: +886-2-3234-0050 (standard international call charges apply.)
What the warranty does not cover
1. Any product, on which the serial number has been defaced, modified or removed.
2. Accident, misuse, neglect, fire, water, lightning, or other acts of nature, unauthorized product modification, or failure to follow instructions supplied with the product.
3. Repair or attempted repair by anyone not authorized by Cooler Master.
4. Damage to or loss of any programs, data or removable storage media.
5. Software or data loss occurring during repair or replacement.
6. Any damage of the product due to shipment.
7. Removal or installation of the product.
8. External causes, such as electric power fluctuations or failure.
9. Use of supplies or parts not meeting Cooler Master's specifications.
10. Normal wear and tear.
11. Failure of owners to perform periodic product maintenance as stated in User Guide, such as cleaning of user-cleanable projector filters.
12. Any other cause which does not relate to a product defect.
13. Damage caused by static (non-moving) images displayed for lengthy periods of time (also referred to as image burn-in).
Limitation of implied warranties:
THERE ARE NO WARRANTIES, EXPRESS OR IMPLIED, WHICH EXTEND BEYOND THE DESCRIPTION CONTAINED HEREIN INCLUDING THE IMPLIED WARRANTY OF MERCHANTABILITY AND FITNESS FOR A PARTICULAR PURPOSE.
Exclusion of damages
COOLER MASTER'S LIABILITY IS LIMITED TO THE COST OF REPAIR OR REPLACEMENT OF THE PRODUCT. COOLER MASTER SHALL NOT BE LIABLE FOR:
● DAMAGE TO OTHER PROPERTY CAUSED BY ANY DEFECT IN THE PRODUCT, DAMAGES BASED UPON INCONVENIENCE, LOSS OF USE OF THE PRODUCT, LOSS OF TIME, LOSS OF PROFITS, LOSS OF BUSINESS OPPORTUNITY, LOSS OF GOODWILL, INTERFERENCE WITH BUSINESS RELATIONSHIP OR OTHER COMMERCIAL LOSS, EVEN IF ADVISED OF THEIR POSSIBILITY OF SUCH DAMAGES.
● ANY OTHER DAMAGES, WHETHER INCIDENTAL, CONSEQUENTIAL OR OTHERWISE
● ANY CLAIM AGAINST THE CUSTOMER BY ANY OTHER PARTY
Warranty Information:
If the goods is found with reasonable defect within the period of (refer to Table A.) starting on the first day of purchase (with proof of invoice), this is what you must do, to claim the warranty from the above address.
Procedures:
1. Consumers should return to the shop where he/she has bought the goods, after confirming with the shop with a valid invoice, they may approach the distributor for RMA claim.
2. After confirmed by the distributor that the goods was damaged due to natural causes, replacement and repair will be done by distributor (including brand new or refurbished goods)
3. All faulty goods must return to the distributor, expenses for returning the faulty goods will be covered by the consumer, and distributor will cover the cost involved in the transporting of parts or repaired goods to the consumer.
Regarding all the expenses incurred in making the claim, and this is how you would claim:
1. Within the valid warranty date, starting from the first day of issuing invoice, Retail shops will assist in confirmation with distributor for the consumer for the following:
A. If the damage was caused by the consumer, then the consumer should cover all expenses in fixing the product, if the product will can't be fixed, we would suggest consumer to buy a brand new product.
B. Product defect caused under natural use, expenses will be covered by the distributor.
2. Faulty products with expired warranty date, we would suggest consumer to purchase a brand new products, without undergoing for repairs.
Table A:
Cooler Master Products
Please check your user manual for the exact warranty period terms for products that are not shown below.
Chassis

Product Name	Warranty Term
All Chassis Series (Only Electronic Parts)	2 years
C+P (Chassis + PSU)	1 year