



10 min



x1



x1



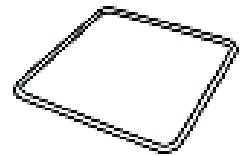
A X1



B X1



C X1



D X1

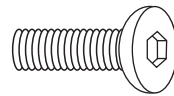


M6X35

E X4

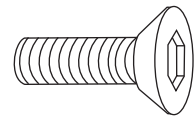


F X4



M6X20

G X2

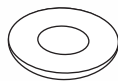


M6X20

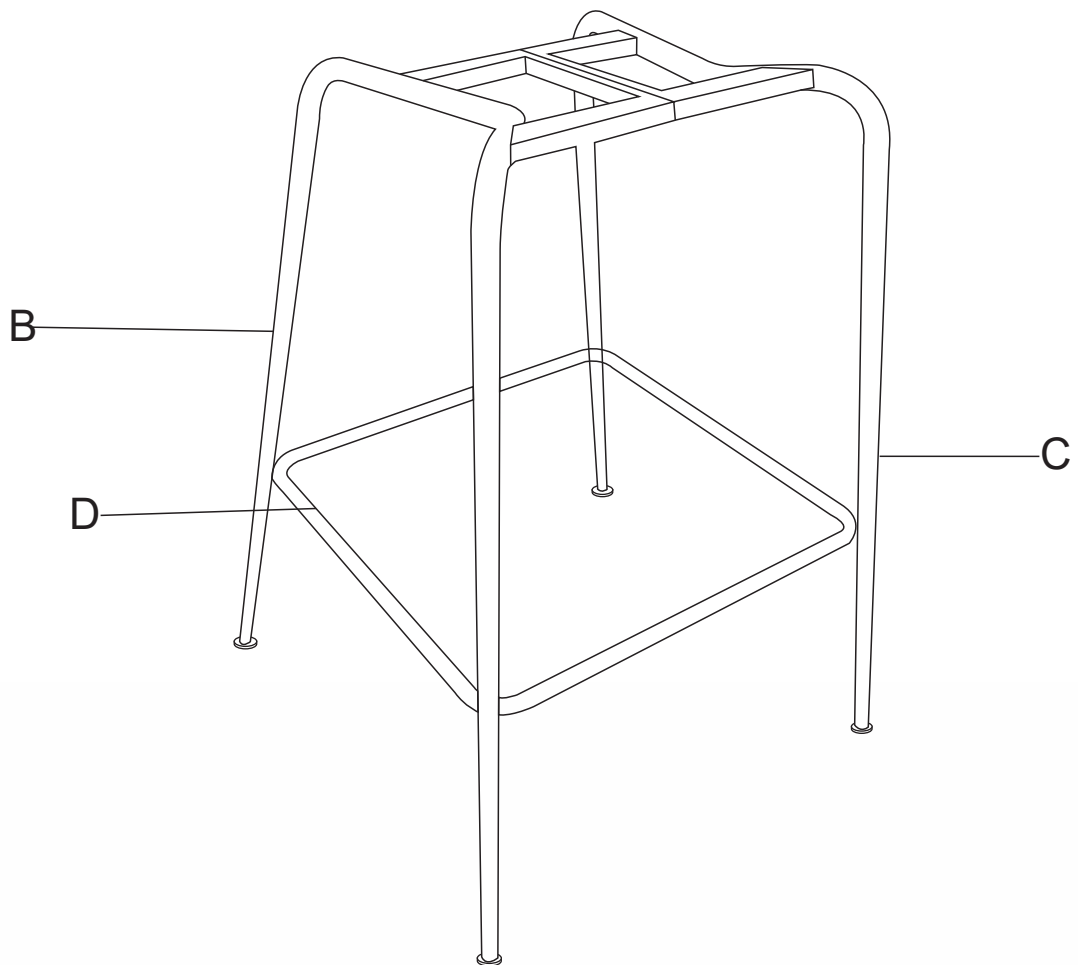
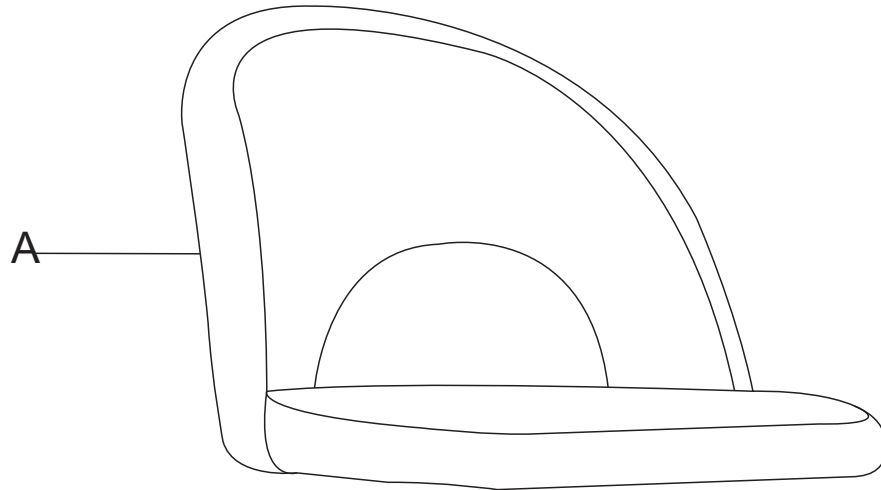
H X4



I X1

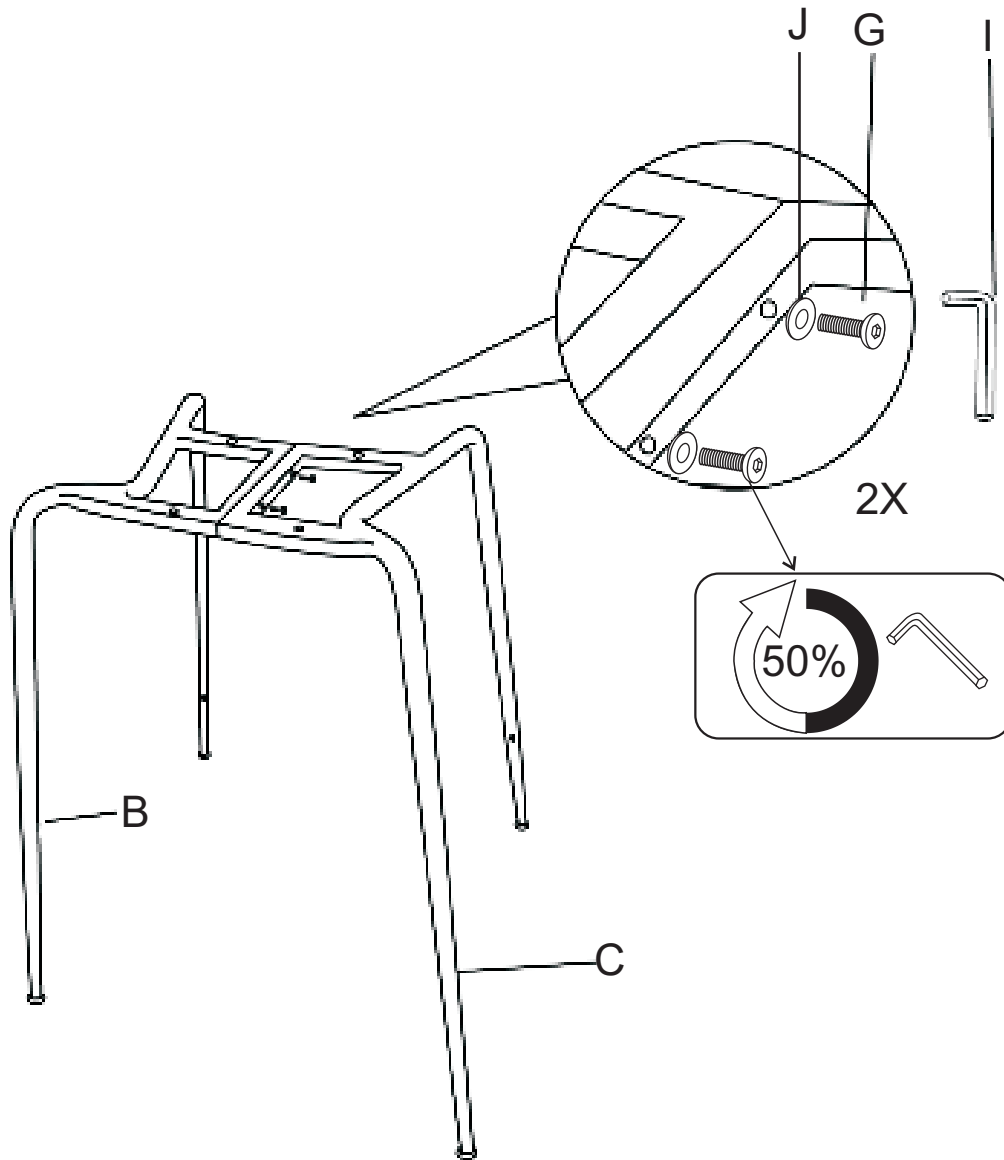


J X2



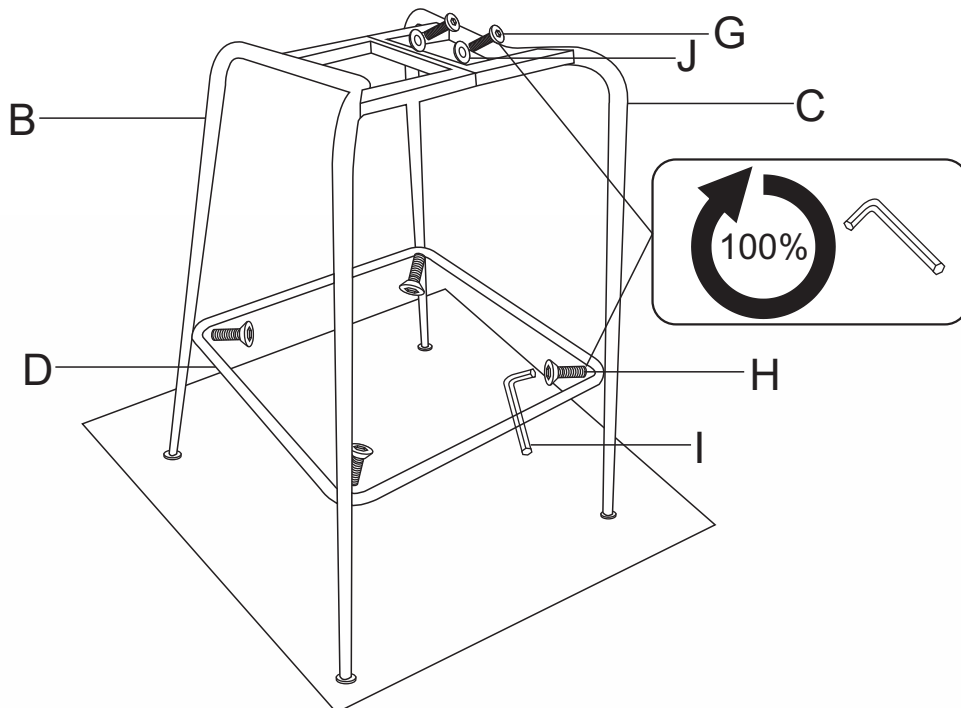
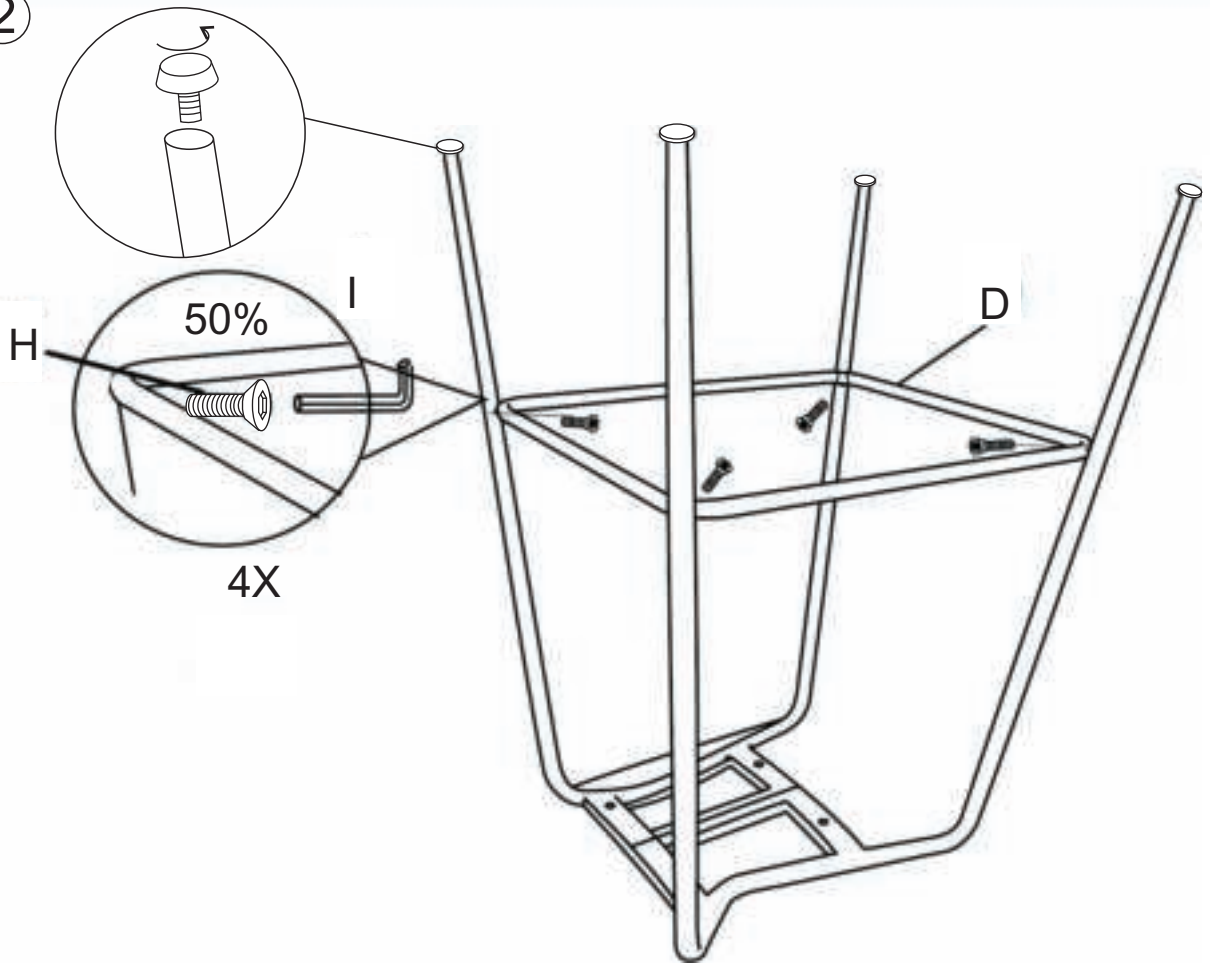


①

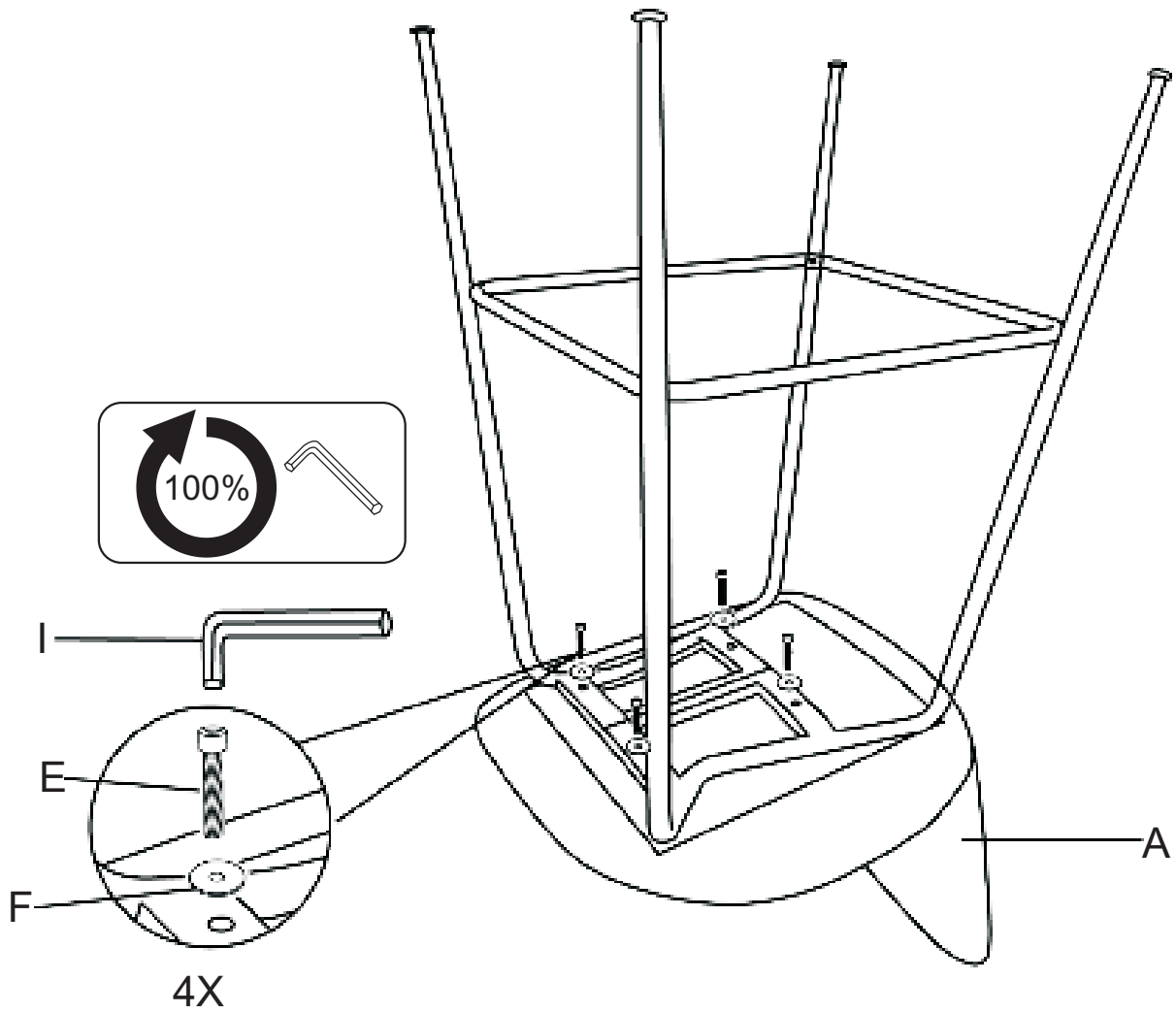




2



3



JULIÀ GRUP Furniture Solutions S.L.

B-17616277

Pol. Ind. Bosc d'en Cuca

C / Tallers, 14

17410 Sils SPAIN

contact@kavehome.com