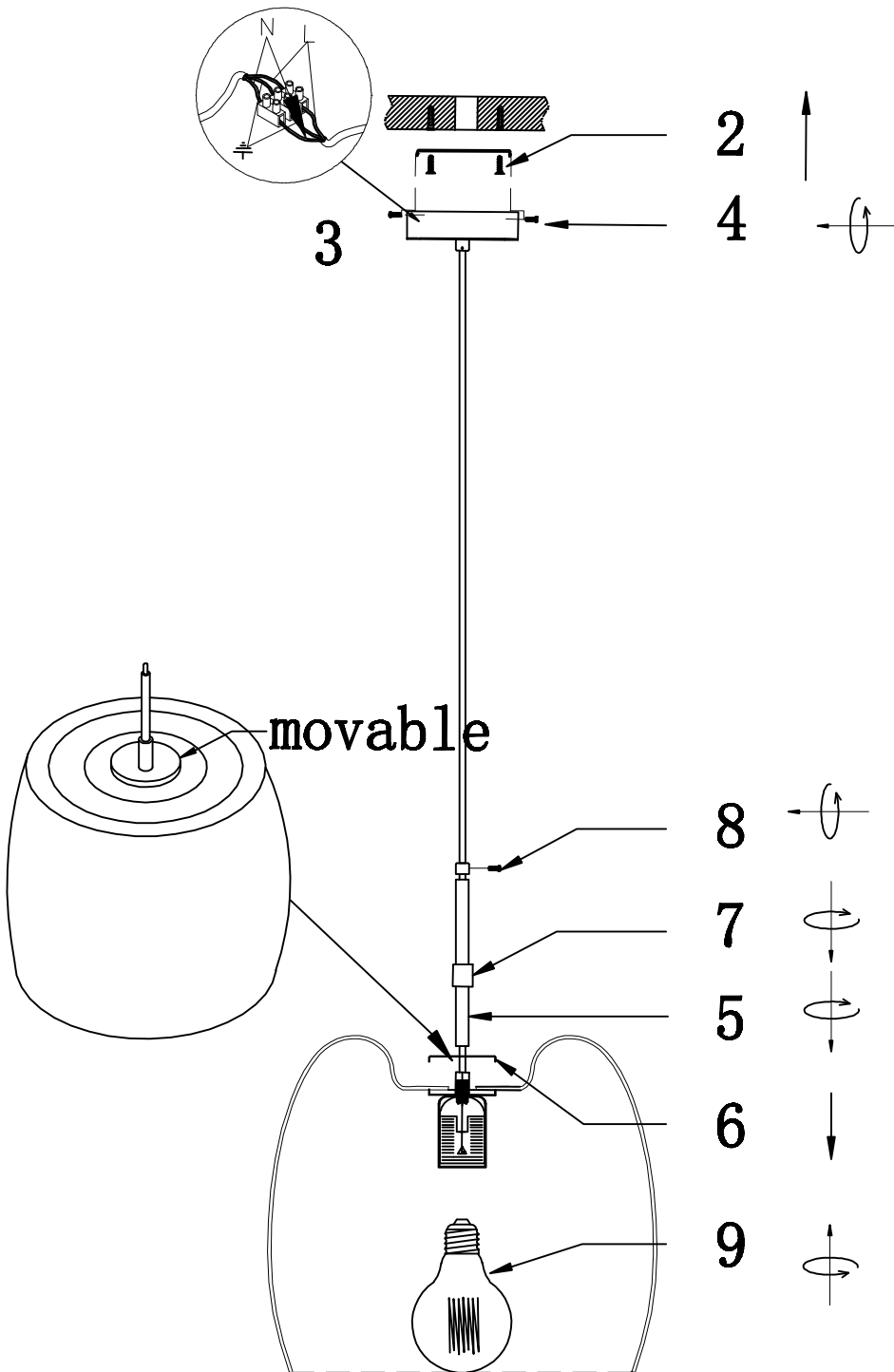
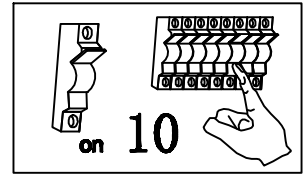


8016/39K



3

2

4

movable

8

7

5

6

9